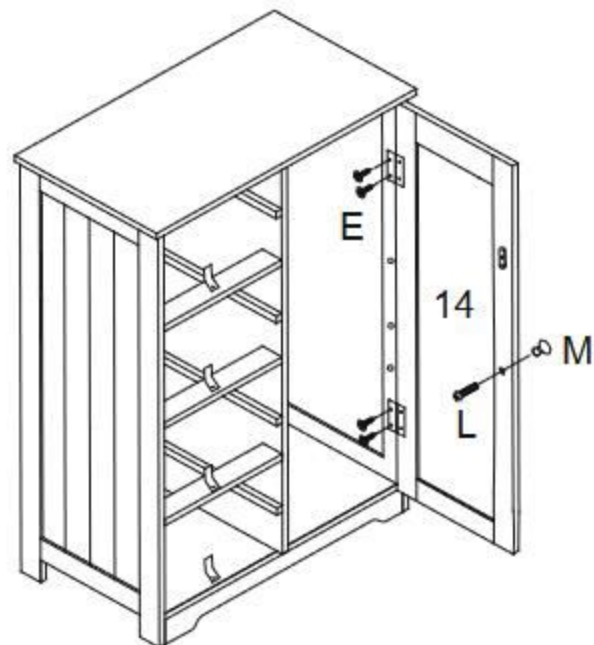
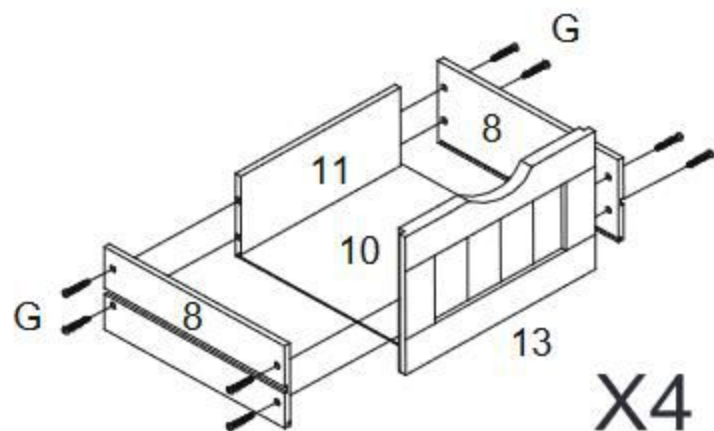


10



E		x 4
L		x 1
M		x 1

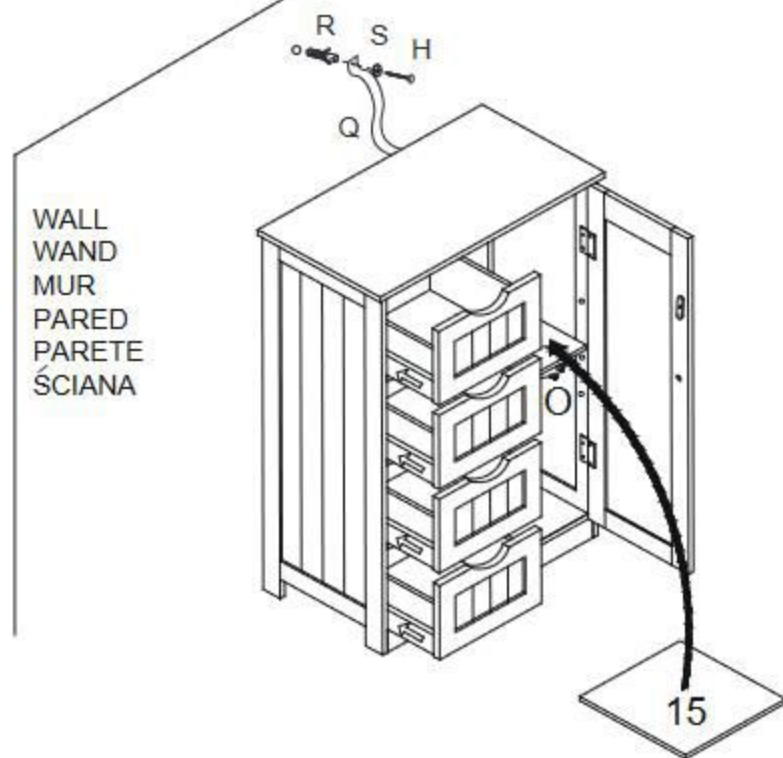
11



G		x 32
---	---	------

X4

12



H		x 1
O		x 4
R		x 1

WALL  
WAND  
MUR  
PARED  
PARETE  
ŚCIANA

15