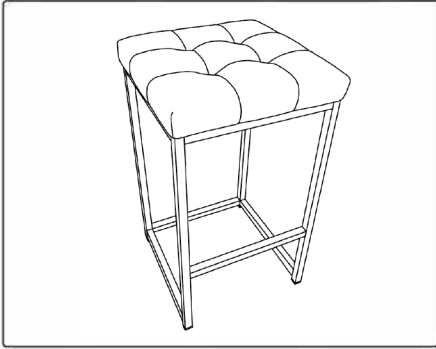


ASSEMBLY INSTRUCTIONS



+ Do Not Use Power Tools



+ Suggested Adults



NOTE:

- 1 Read instructions cover to cover.
- 2 Save all packaging until assembly is completed.

1 IMPORTANT SAFETY INFORMATION

Do not assemble the product if any of the following parts arrived damaged:

Part # ① - Cushion

Part # ② - Base

Part # ③ - Bar

Do not assemble if any of the following Hardware parts are missing:

Part # A - Allen wrench

Part # B - Bolt

Part # C - Bolt

2 IMPORTANT ASSEMBLY INFORMATION

Assembly Step If loosening persists, please make sure to tighten all the bolts periodically, or use a thread locker adhesive.

+ Parts Included

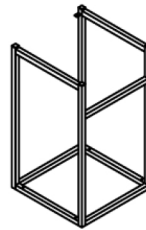
①

1PC



②

1PC



③

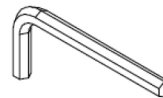
1PC



+ Hardware Included

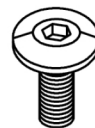
A

Allen wrench (4 mm)
1PCS



B

Bolt (M 6 * 1 5)
2PCS



C

Bolt (M 6 * 3 5)
4PCS



ASSEMBLY INSTRUCTIONS

