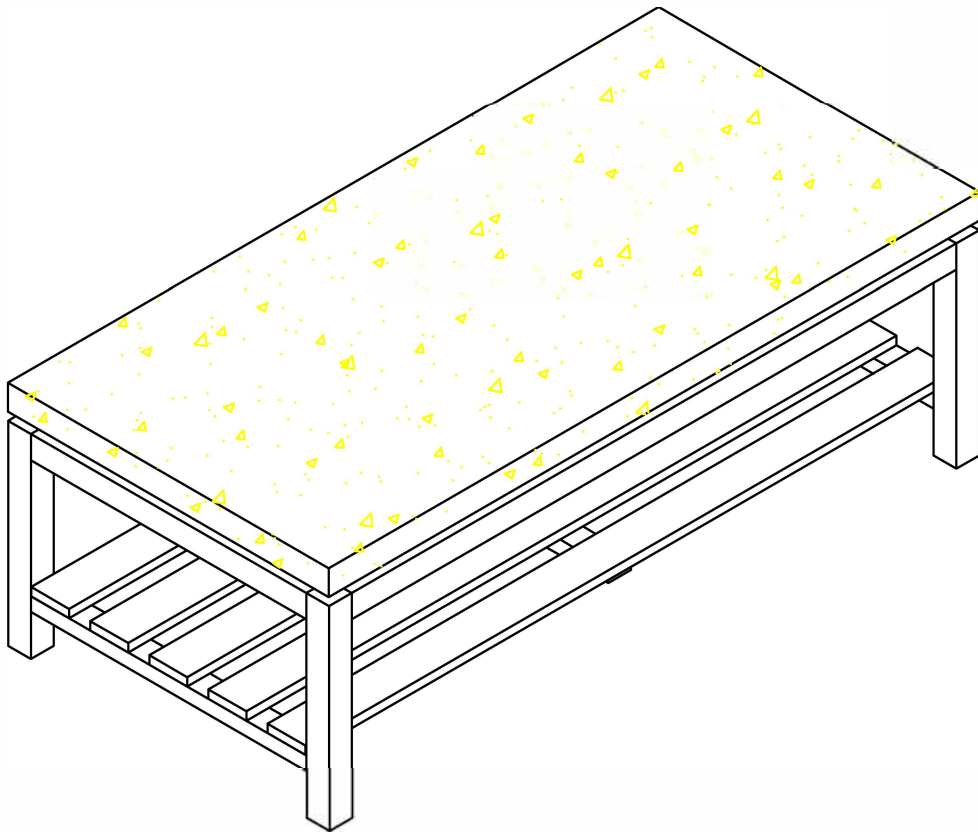


ASSEMBLY INSTRUCTIONS



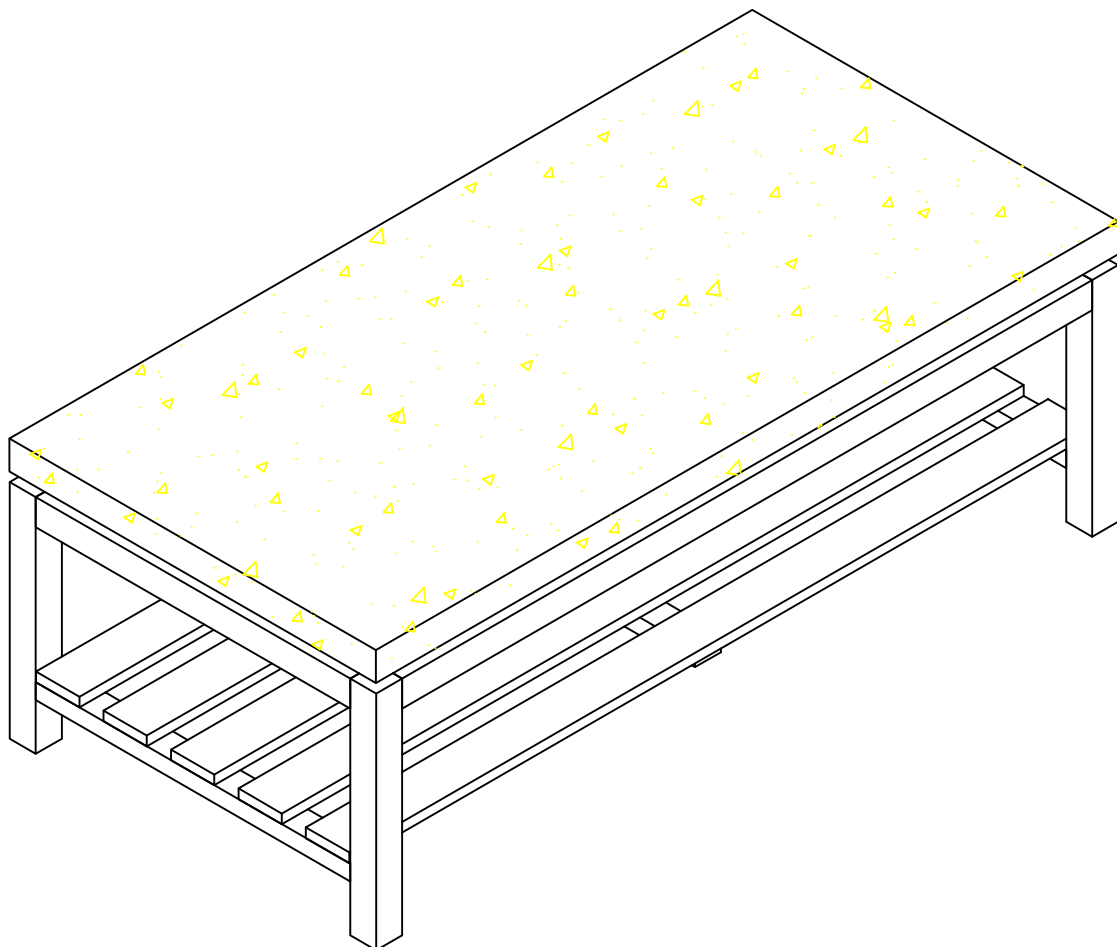
ASSEMBLY INSTRUCTIONS

PLEASE READ BEFORE ASSEMBLING!

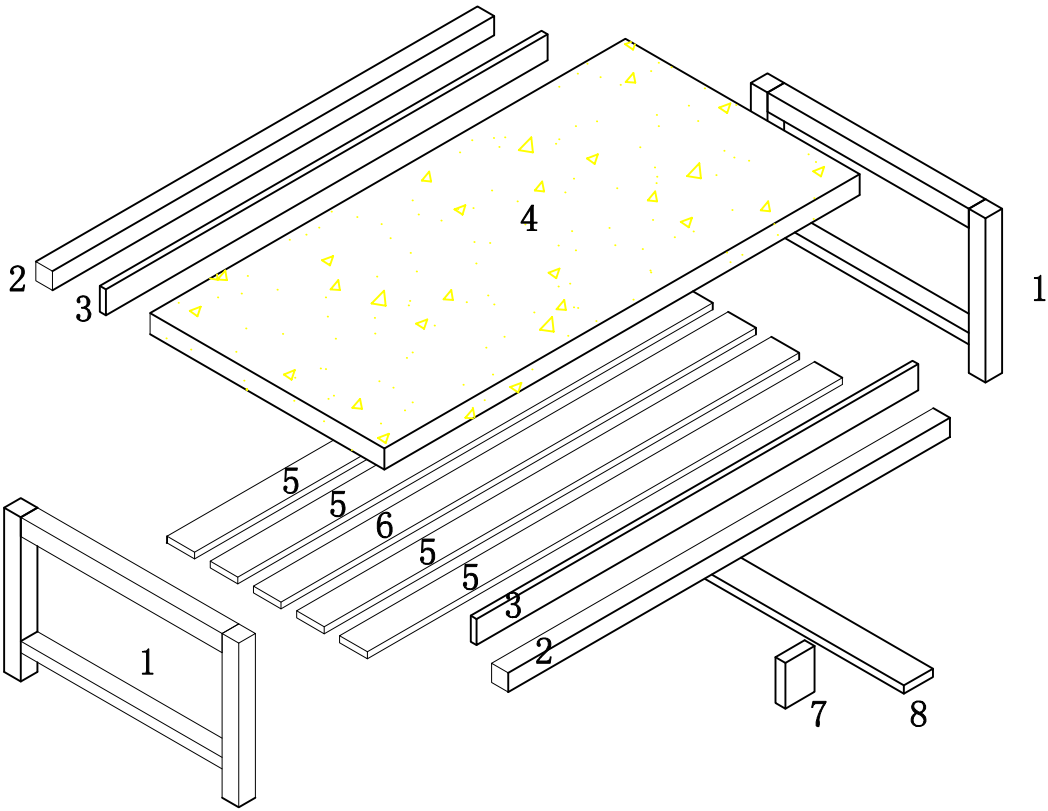
Tip #1: Make sure you've taken all the pieces and hardware out of its packaging before discarding the box.

Tip #2: Using page 2 and/or page 3 of instruction manual make sure all pieces and hardware are accounted for.

Tip #3: Read manual before assembling, it helps!

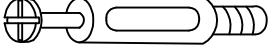


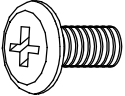
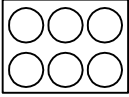


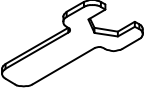
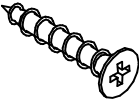




PARTS IDENTIFICATION

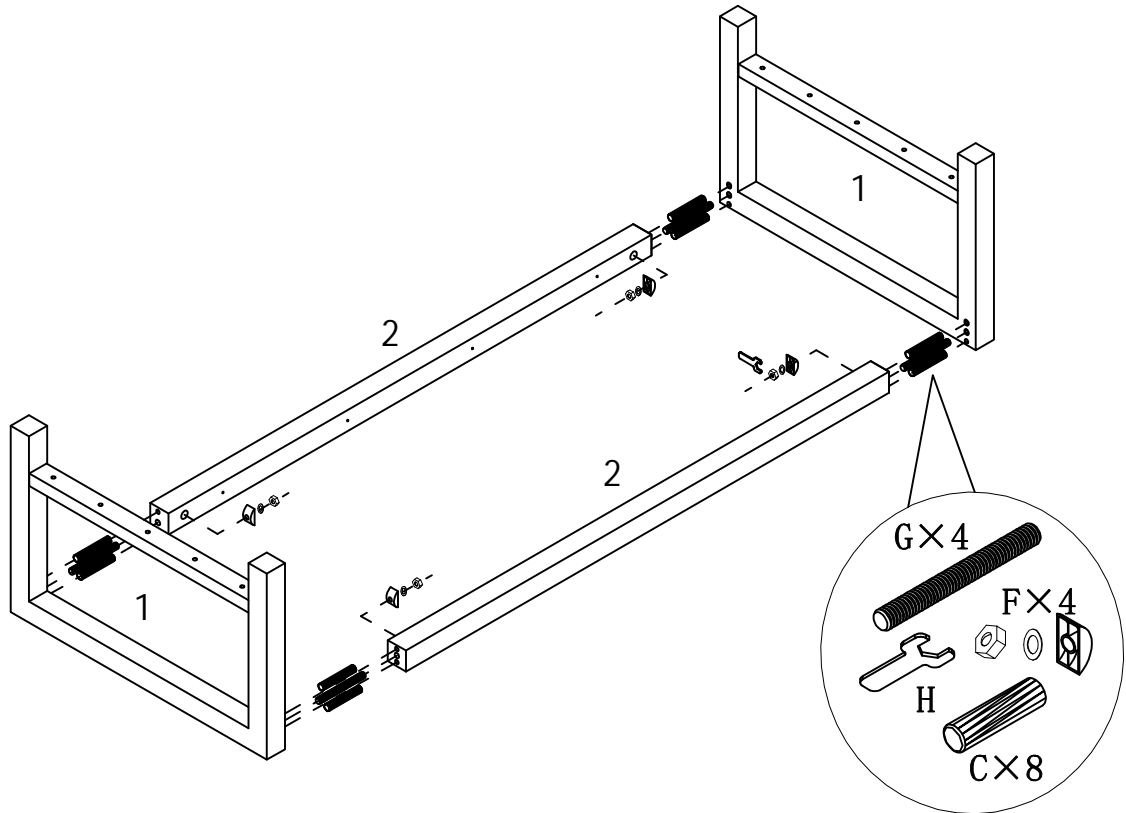


(1)	2pcs	(6)	1pc
(2)	2pcs	(7)	1pc
(3)	2pcs	(8)	1pc
(4)	1pc		
(5)	4pcs		

HARDWARE IDENTIFICATION

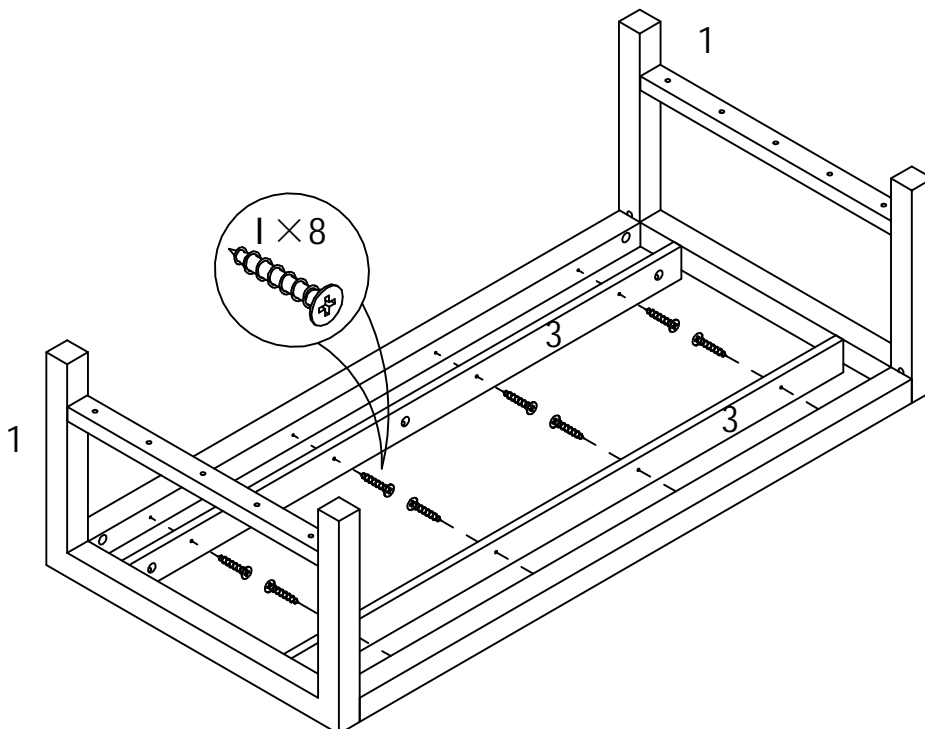
A		L29	6 pcs
B		ø15	6 pcs
C		ø8×25	12 pcs
D		M6×30	10 pcs
E		ø18	6 pcs
F		M8	4 sets
G		ø8×70	4 pcs
H		M13	1pc
I		ø4×35	16 pcs
J		ø16	5 pcs
K		Glue: For securing please apply to wood dowel first before inserting into panel	1pc

ASSEMBLY INSTRUCTIONS

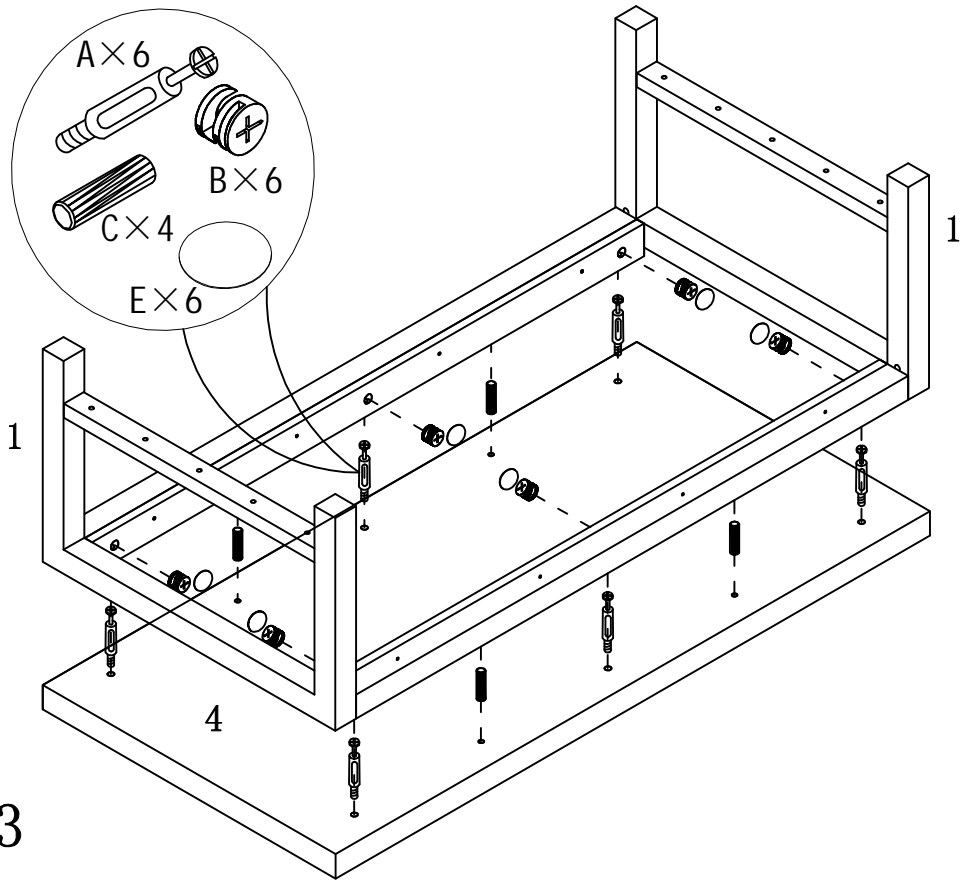


STEP1

STEP2

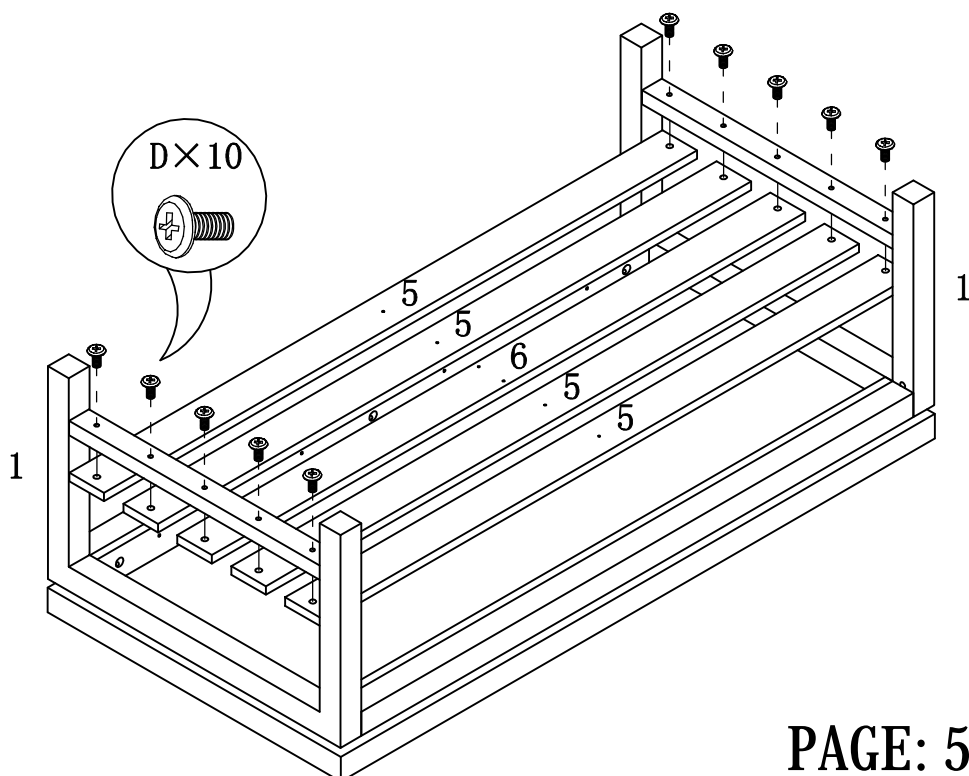


ASSEMBLY INSTRUCTIONS

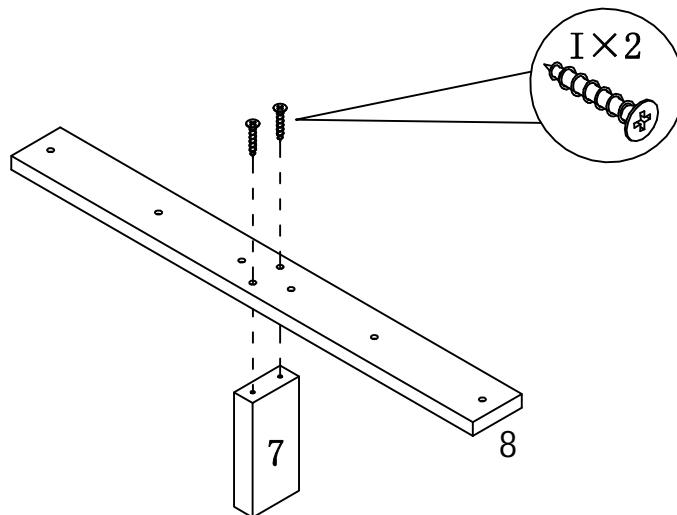


STEP 3

STEP 4



ASSEMBLY INSTRUCTIONS



STEP5

STEP6

