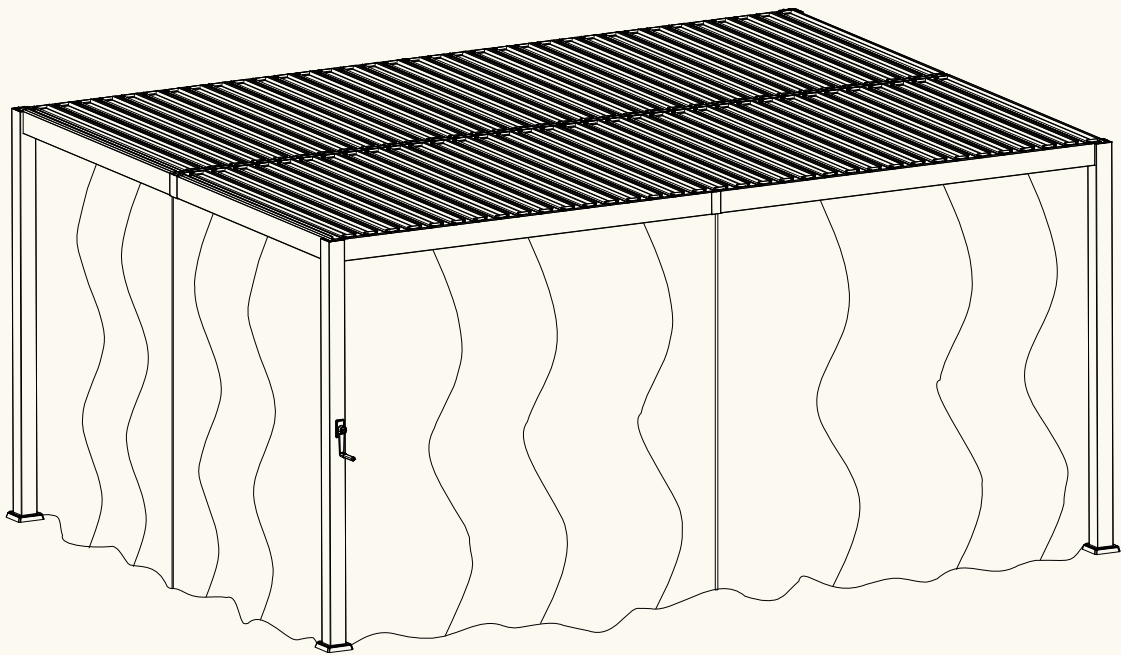


COURTYARD GAZEBO

LOUVERED PERGOLA WITH NETTING

16*12FT



CONTACT US:24H,Mon~Sun.

 service@kmcglobe-us.com

 (USA) +1 213-816-4788

CUSTOMER SUPPORT

Dear customer

Thank you for your purchase.

This product is a non-permanent outdoor structure designed and manufactured for personal use rather than commercial use.

Please confirm whether the installation is permitted in your states firstly.

1. When you receive the product, please make sure that all the boxes have arrived, and all the parts are intact.
2. Please browse the entire installation manual before assembling, retain this instruction manual for future reference.
3. If any problem occurs unsatisfactorily as follows:
 - Lack of boxes, or some boxes are not arrived.
 - The outer box is damaged.
 - The product is damaged / bent / cracked while you open the box.
 - The parts / accessories / assembly tools are missing.
 - The product is hard to assemble.
 - The instructions are not clear, or hoping for assistance with installation.
 - The product has functional problems.
 - The product did not meet your expectations.
 - Other aspects that you are not satisfied with.

Please feel free to contact us for help firstly. If there is any damage, please send us clear photos. We will check and do our best to provide the best solution for you. The missing or damaged parts will be delivered to you within 5 days.

**DO NOT RETURN YOUR UNIT TO THE STORE
CONTACT US FIRST**



 service@kmcglobe-us.com

 (USA) +1 213-816-4788

ATTENTION

PREPARATION:

The gazebo needs to be installed in cooperation with **three people**.

Estimated Assembly Time: **2.5 Hours**.

Site preparation suggestion: Level the ground surface, construct a wooden or concrete base as a foundation.

The following installation tools will be used.



2 m Adjustable Ladder



Tape Measure



Screw Driver



Pistol Drill



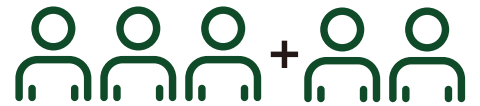
gradienter



Hammer

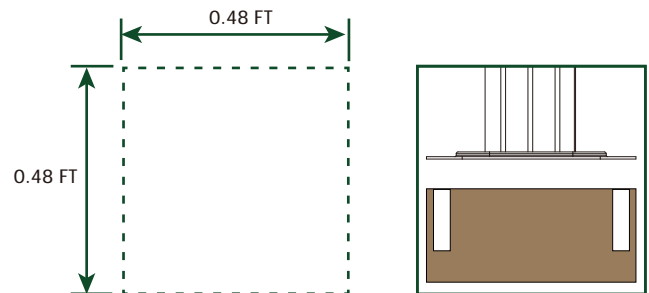
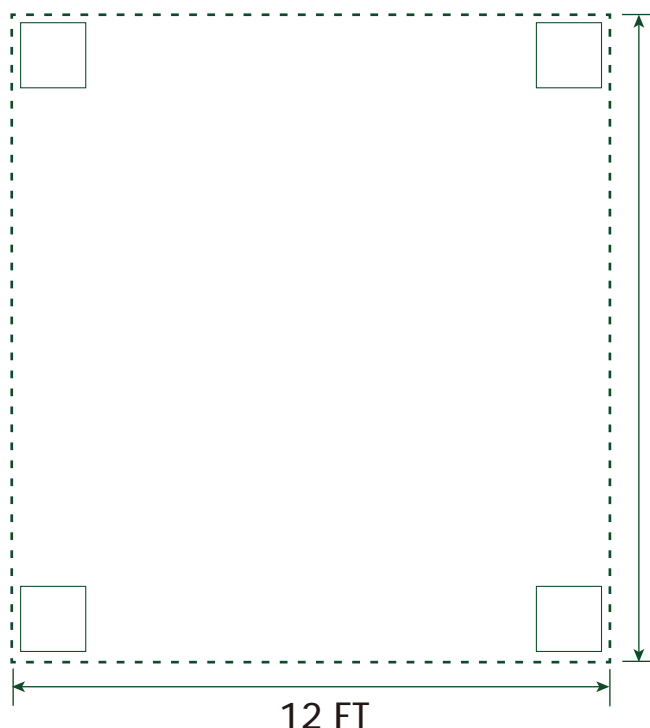


gloves



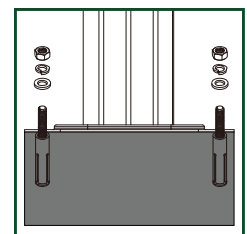
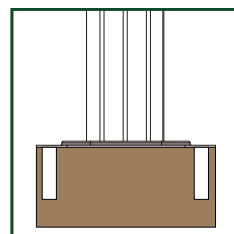
3+2 people

Minimum foundation size:



If your foundation is made of hardwood or concrete, Use an 8 mm diameter drill bit to drill holes in the foundation, with the depth exceeding 100 mm.

16 FT



Use the expansion bolts that are pre-configured with the product to secure it in place. This installation method will provide better wind resistance performance, extend the product's lifespan.

ATTENTION

CAUTION:

1. Tighten each bolt firmly and properly. Do not completely tighten the screws until all screws are started.
2. Some parts may contain sharp edges. Wear protective gloves in the box as necessary.
3. Children under the age of 16 should not be engaged in the assembly, removal or disassembly of the product.
4. It is strongly recommended to hire a professional installation team.

WARNING:

1. Children under the age of 10 should be supervised by a competent adult while using this furniture.
2. Please keep children out of the assembly area during assembly.
3. Never use this product as a support. Do not shake, lean, or climb on the product any time.
4. Please take appropriate measures to deal with the bad weather. Heavy rain, wind and snow may damage the gazebo. If necessary please dis-assemble and store for later use.
5. In snowy weather, please ensure that the thickness of snow on the roof does not exceed 5 inches, If it does, please remove the snow as soon as possible to ensure safety.
6. When the wind force reaches scale 8, please take corresponding measures to reinforce the gazebo to prevent it from being damaged by the wind, and be cautious of safety issues during strong wind conditions.
7. It is necessary to use anchor bolts, expansion bolts and ropes to fix the gazebo to the foundation for Long-term stability.
8. We offer a one-year warranty, excluding damages caused by improper installation, incorrect usage, failure to use the fixing accessories, unclean snow, or failure to take preventive measures.
9. Stay away from open flames.

1. Please ensure that all parts, accessories and installation tools are complete before starting the installation.
2. Due to the variety of accessories, some parts may be glued together, some parts may be trapped inside the larger ones, please check carefully.
3. In case you cannot find or lose some small parts or screws during installation, we have provided extra parts.
4. If any accessories are missing or damaged, please contact us immediately.

✉ service@kmcglobe-us.com

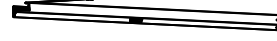
CARTON: A



A1*2



A2*1



A3*1

CARTON: B



B3*1



B4*1



B5*1



B6*1



B10*2

CARTON: C



B7*1



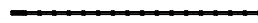
B8*1



D1*1



D2*1



D3*2



D4*4



R2*8



R4*8

CARTON: D



B1*2



B2*2



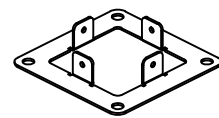
B9*2



B11*1



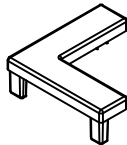
D6*1



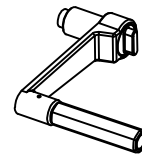
F1*4



F2*4



H*4



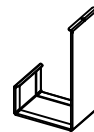
K*2



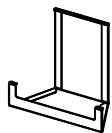
L1*2



M1*1



M2*2



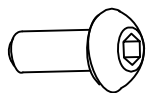
M3*2



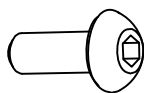
P*140+5



Q*1



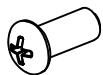
AA1*97+2



AA2*3



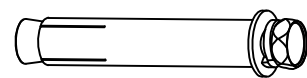
BB*8+1



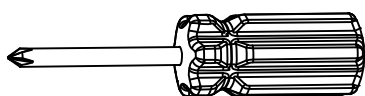
CC1*2



CC2*2



EE*16



FF*2



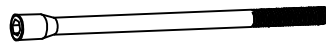
GG*2



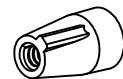
HH*2



JJ*1



KK*16



LL*16+1



MM*32+2



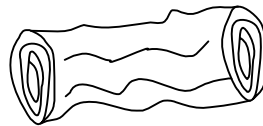
NN*40+2



S*16



T*128+3



U*1



V*1



G*140+4

CARTON: E



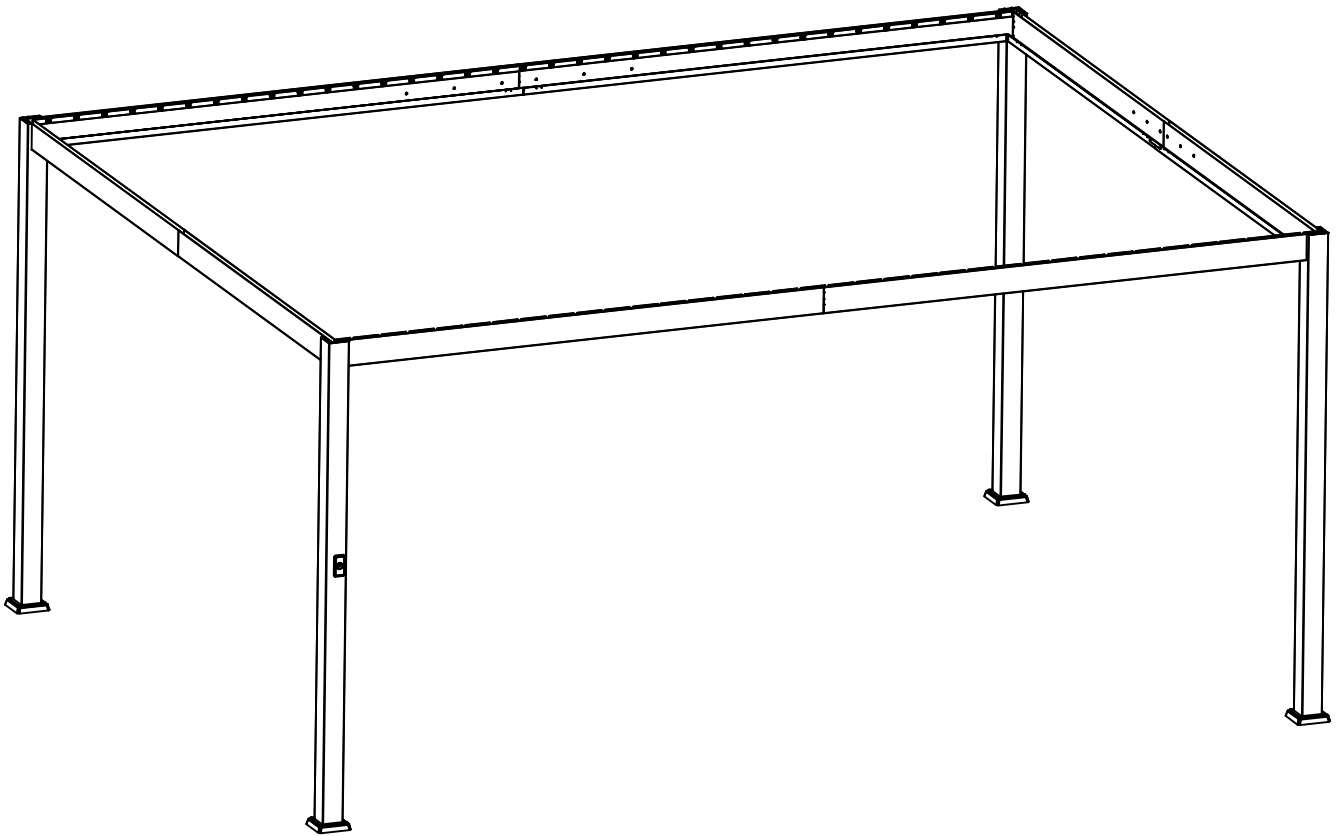
C*36

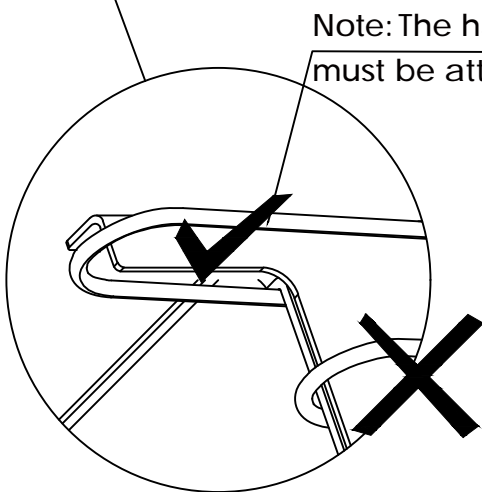
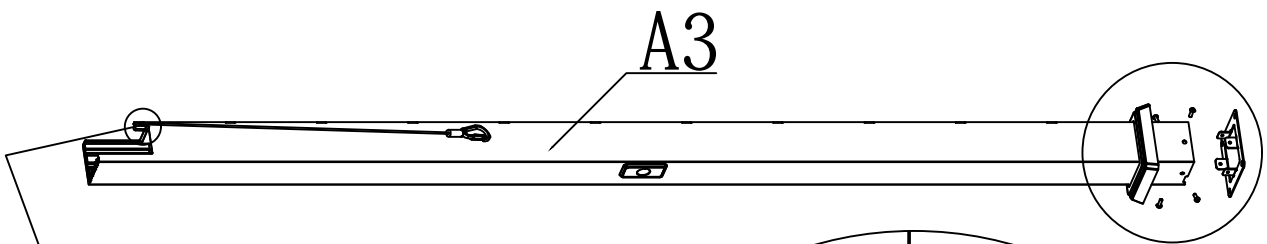
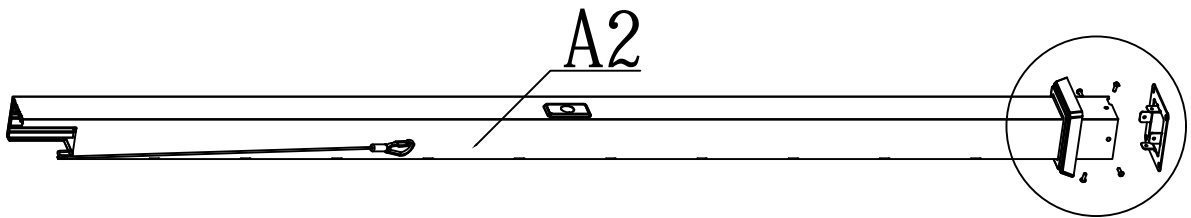
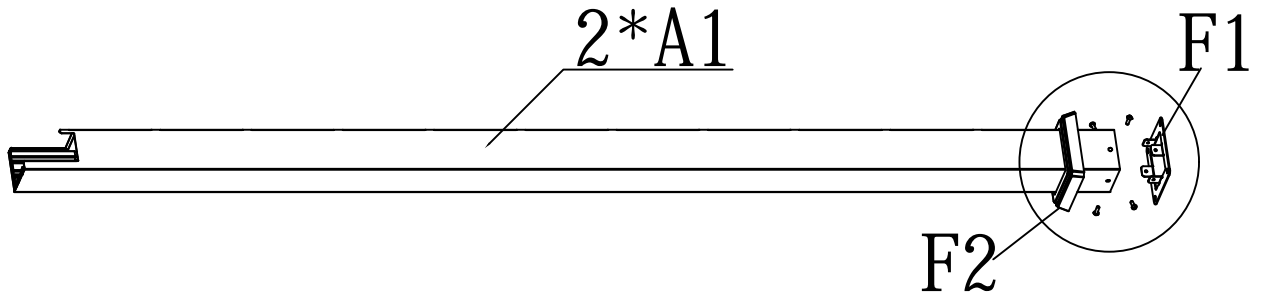
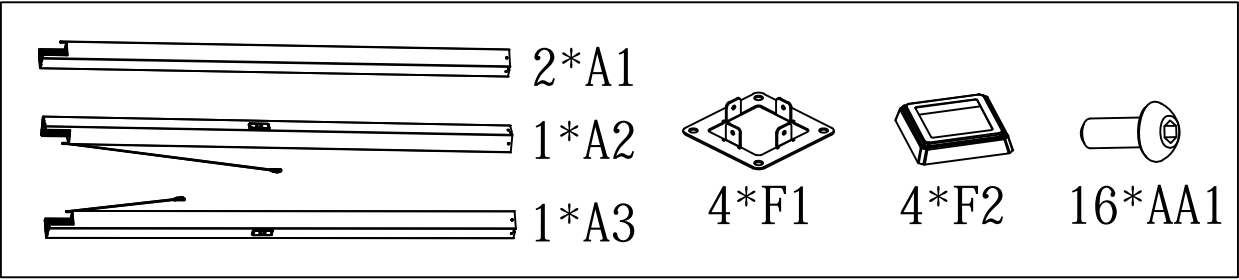
CARTON: F



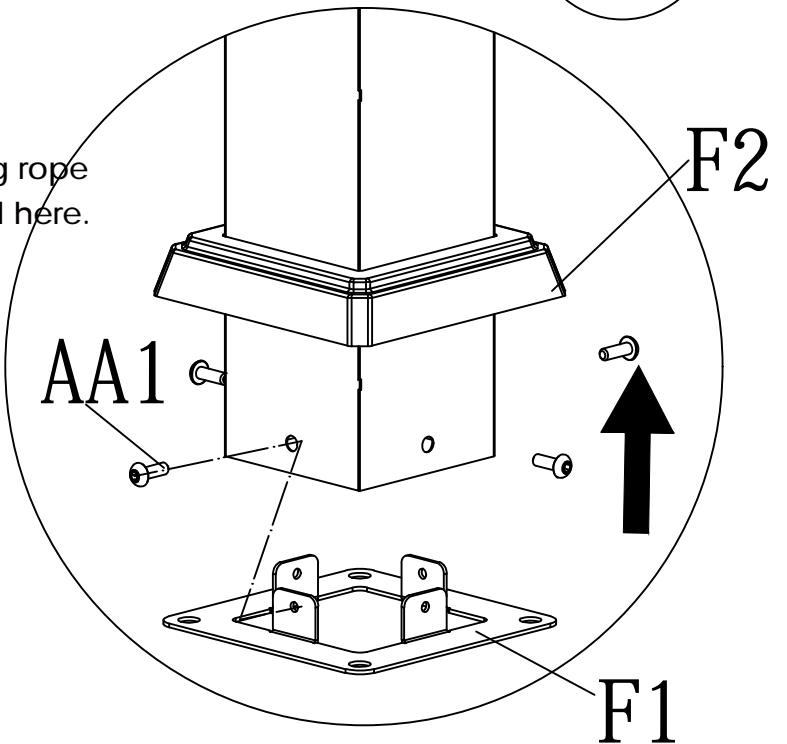
C*34

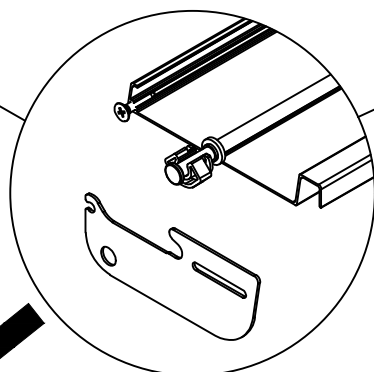
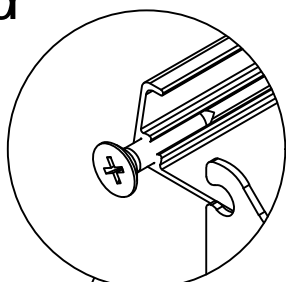
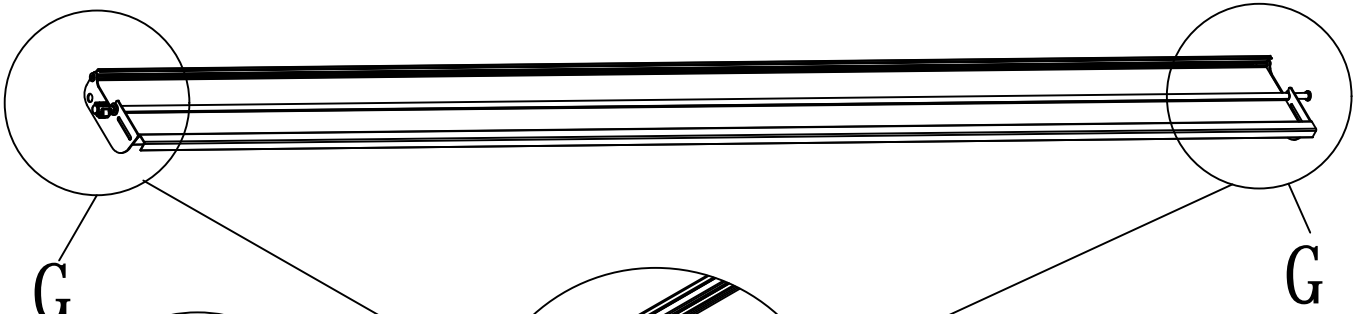
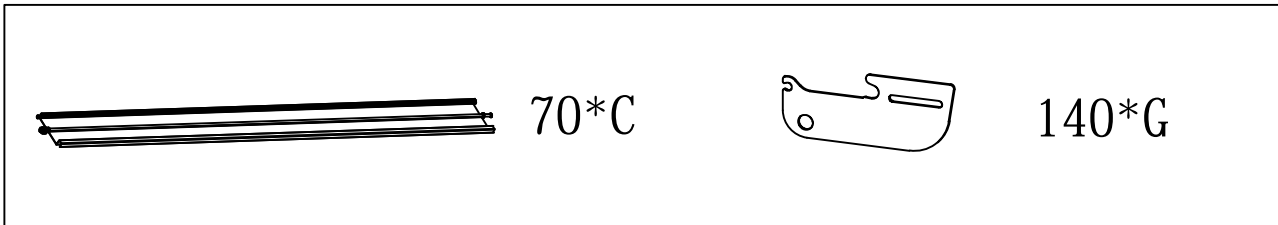
Phase 1: Flooring Frame



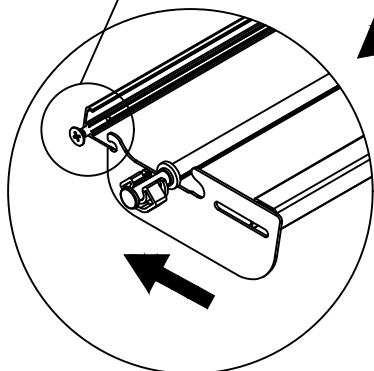


Note: The hanging rope must be attached here.

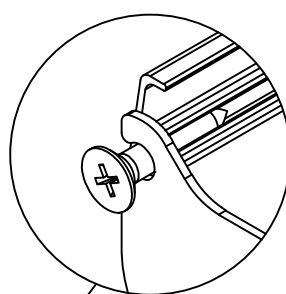




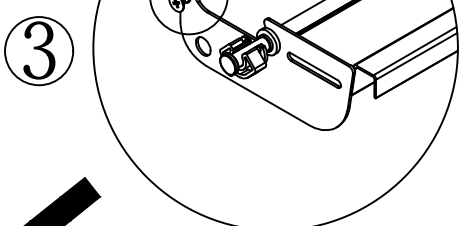
① According to the indicated direction Place G.



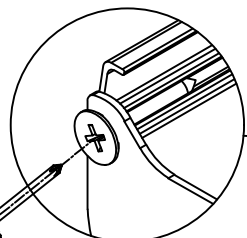
② G should be pushed towards the screw direction, facing the C end.



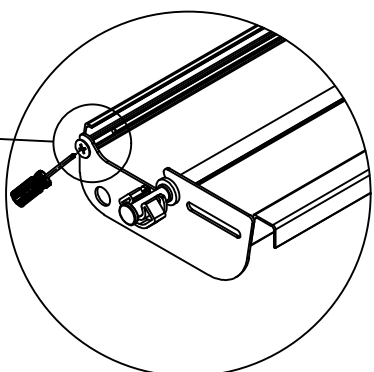
Push the two open slots into the screw and the plastic gasket respectively until it stops, as shown in Figure 3.



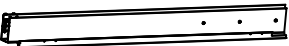
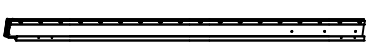
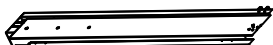

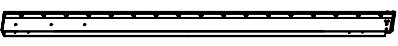
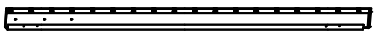
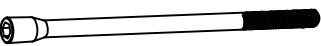

③

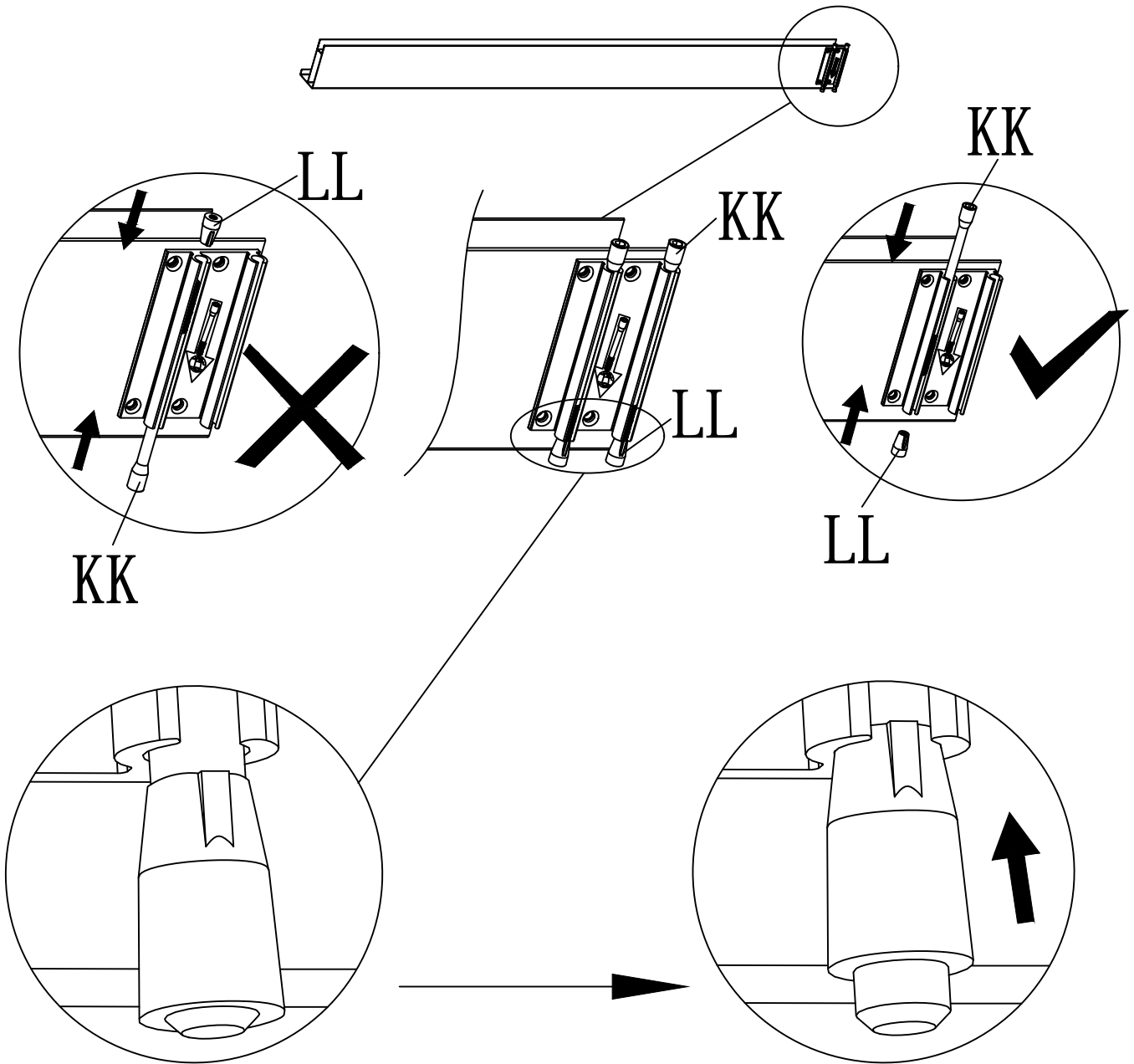


FF

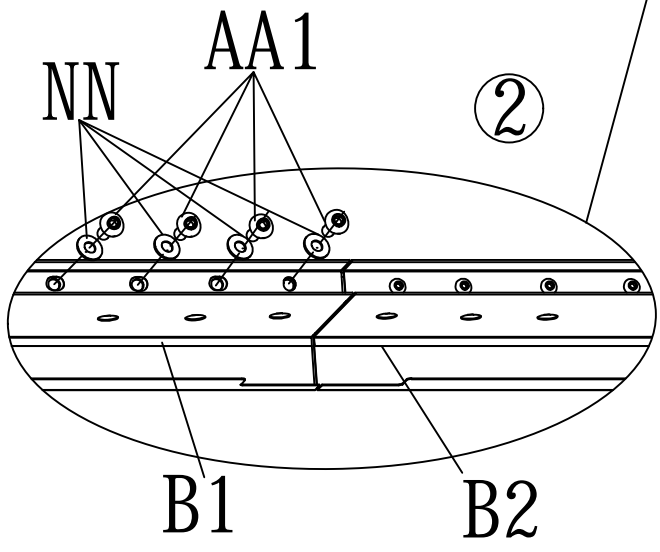
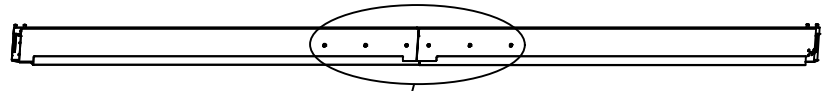
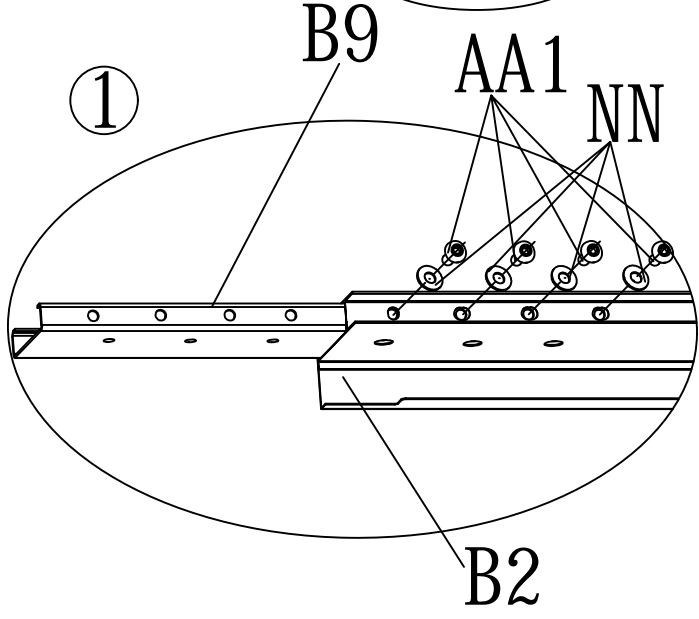
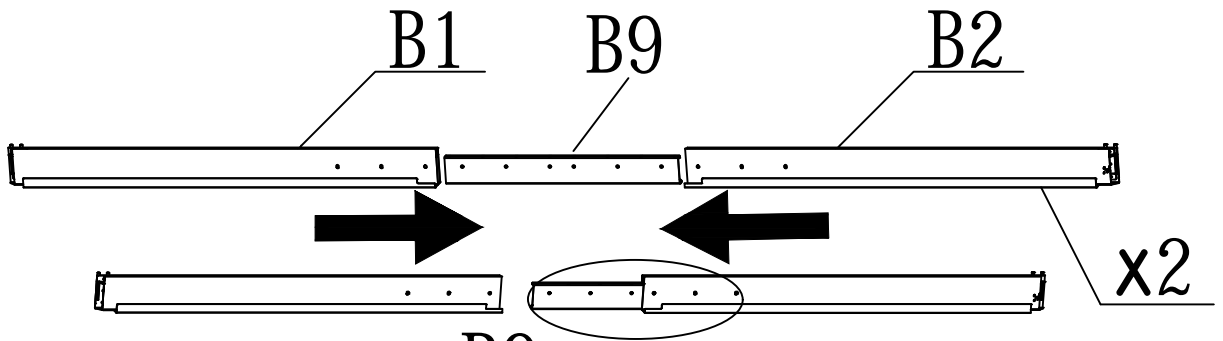
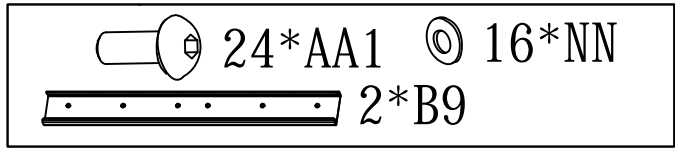


④ Tighten the screws to complete the assembly. The other end G can be assembled symmetrically with it.

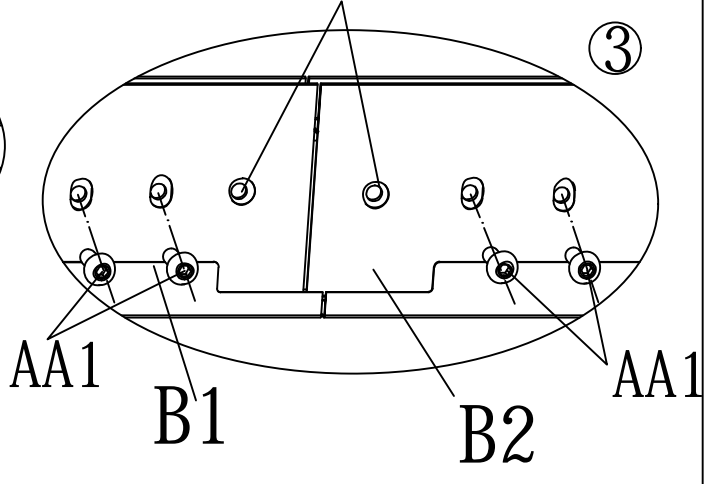
	2*B1		1*B4
	2*B2		1*B5
	1*B3		1*B6
	16*KK		16*LL

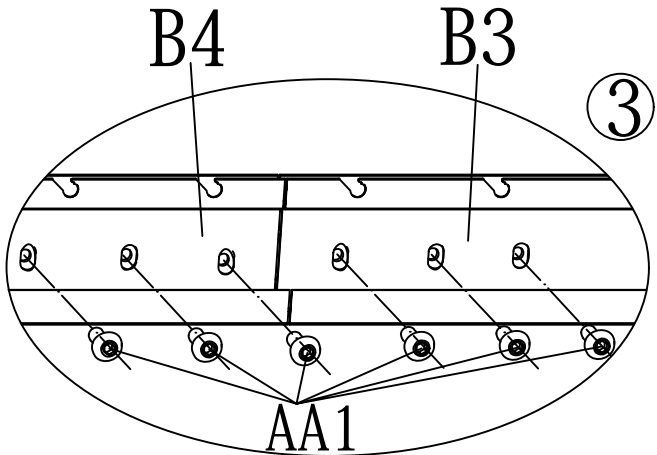
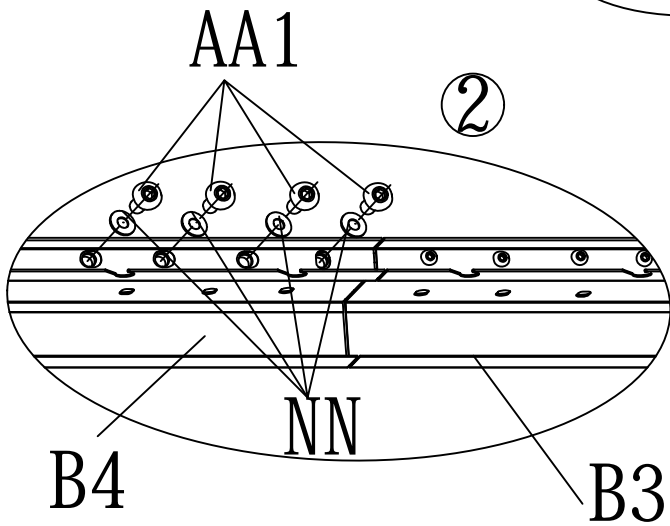
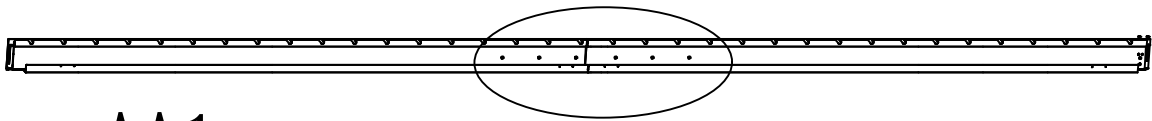
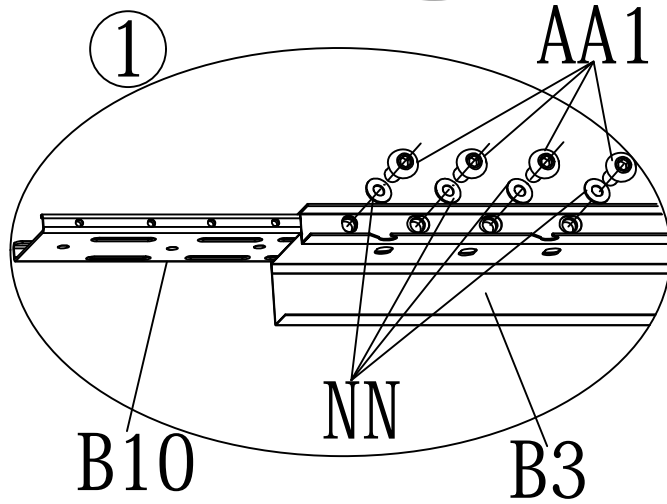
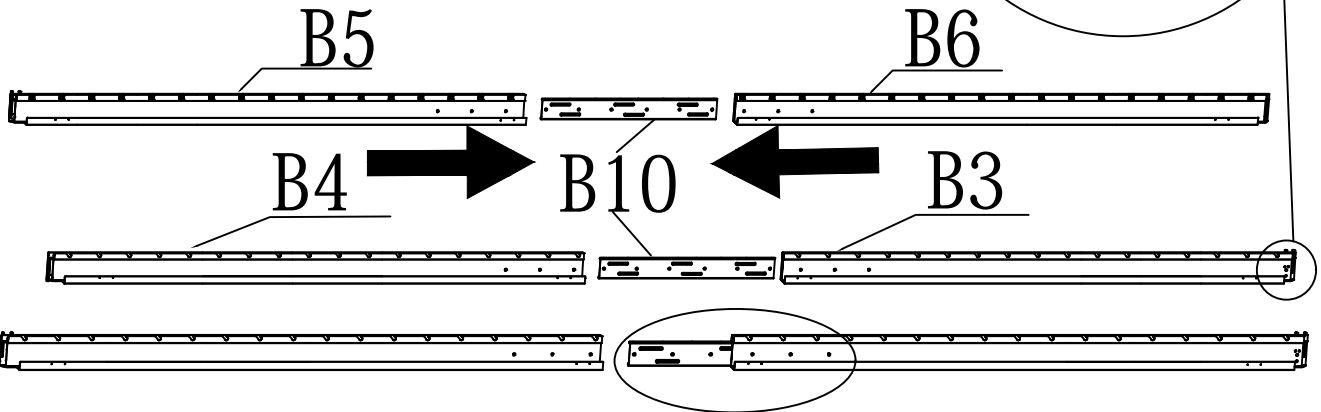
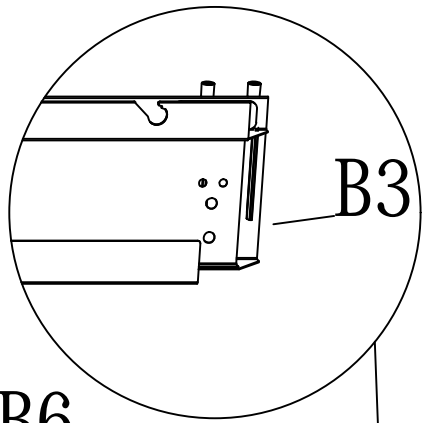
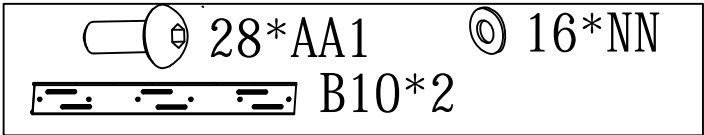


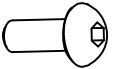





Please hand-tighten the conical nut, keeping the nut's boss aligned with the opening slot.

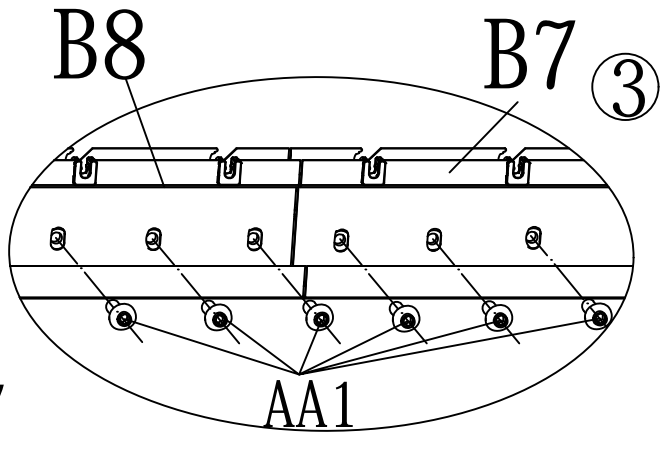
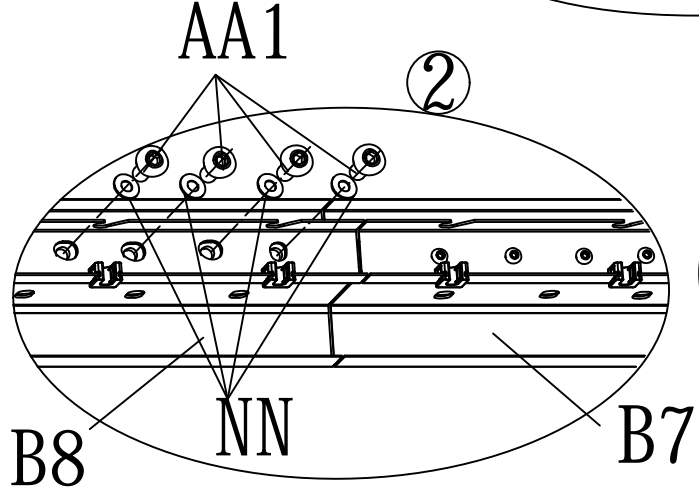
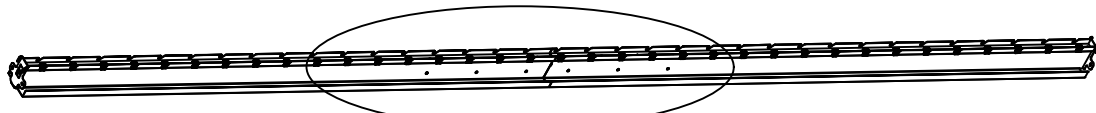
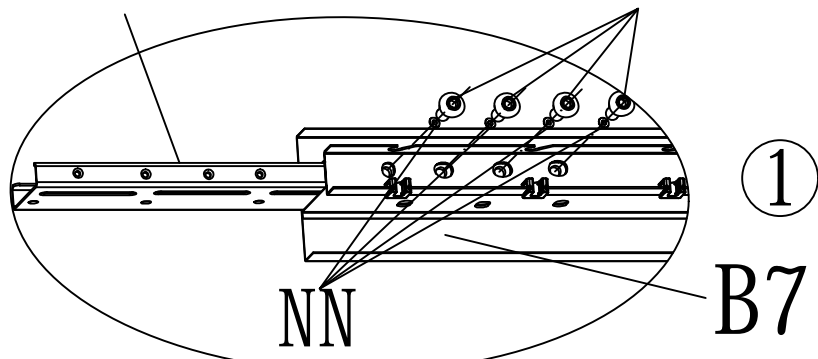
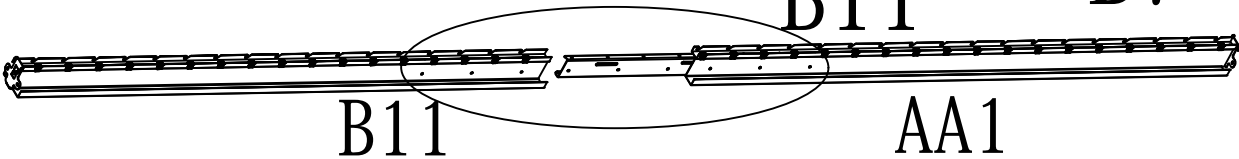
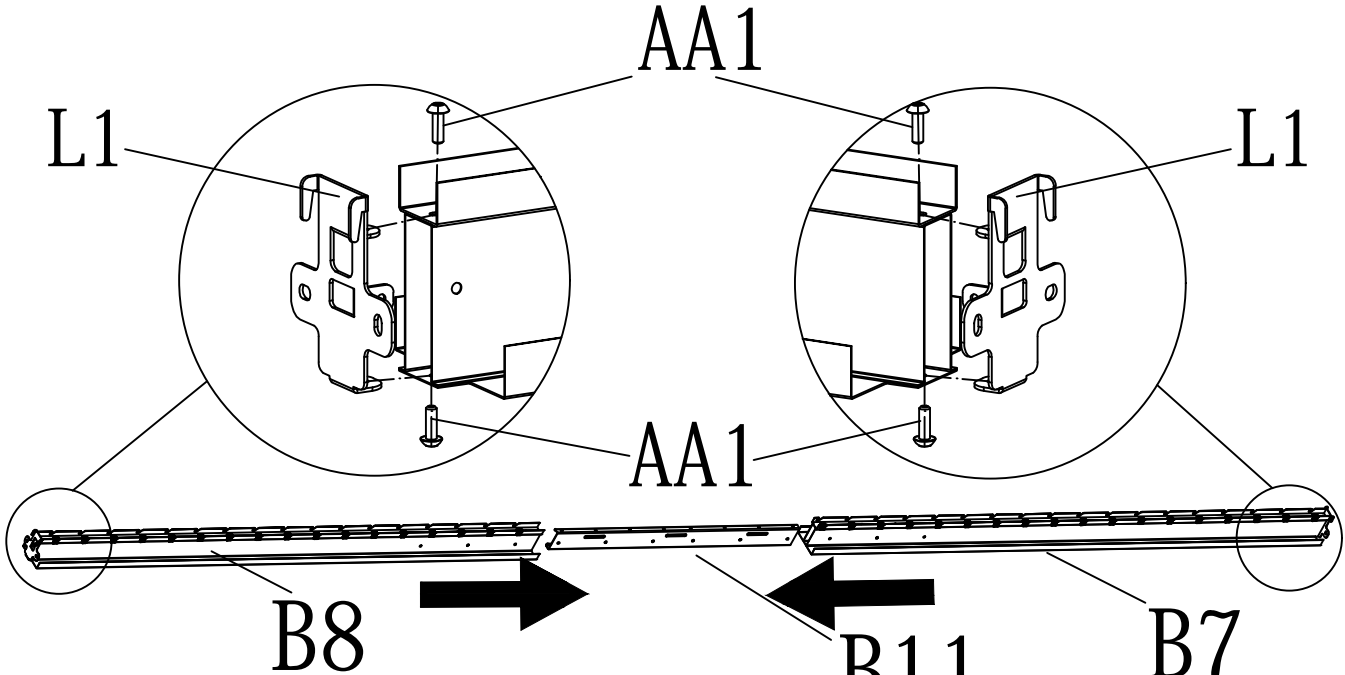


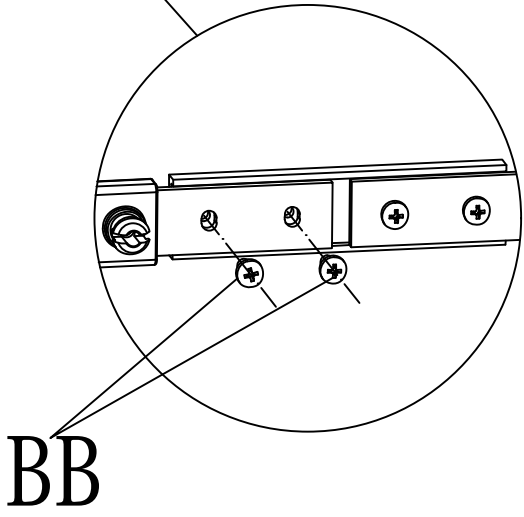
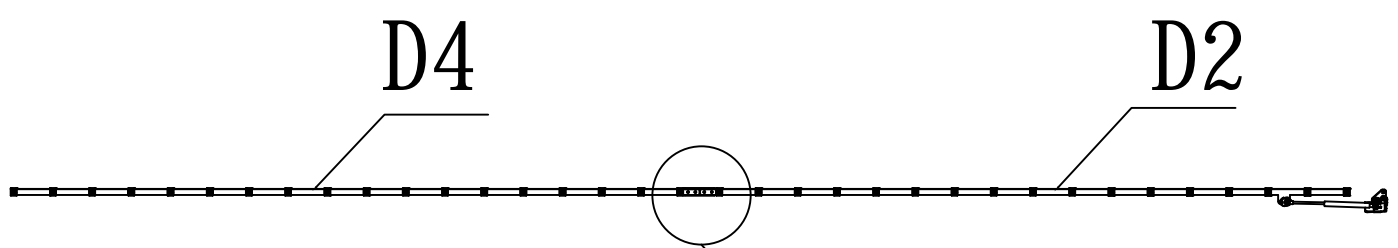
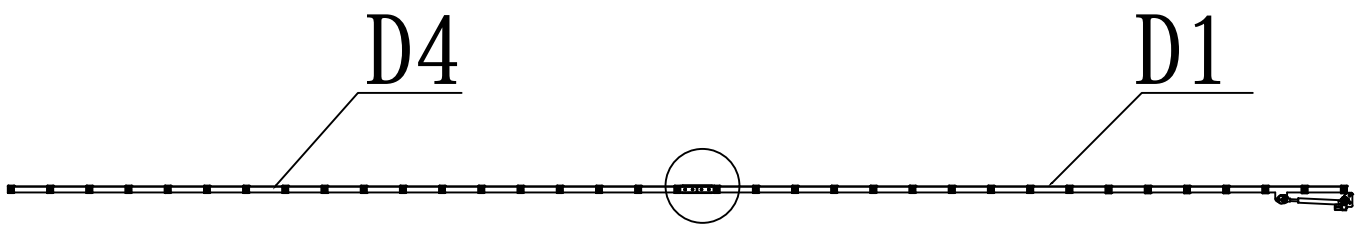
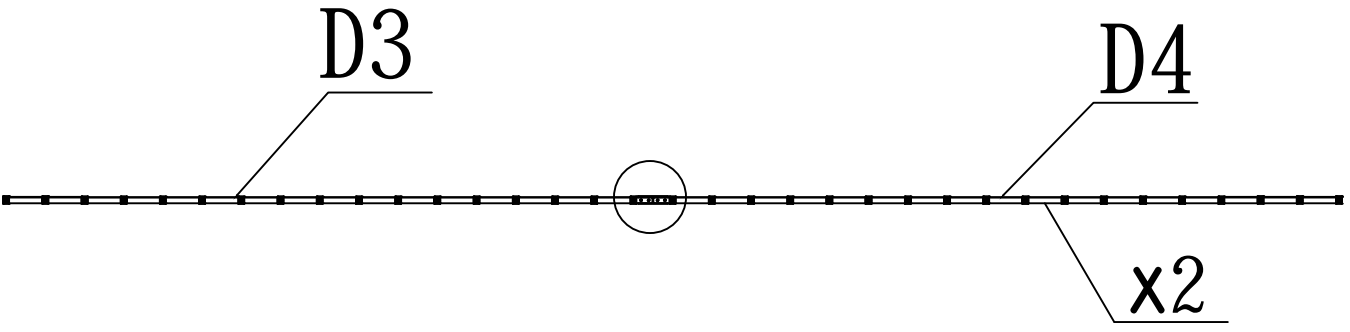
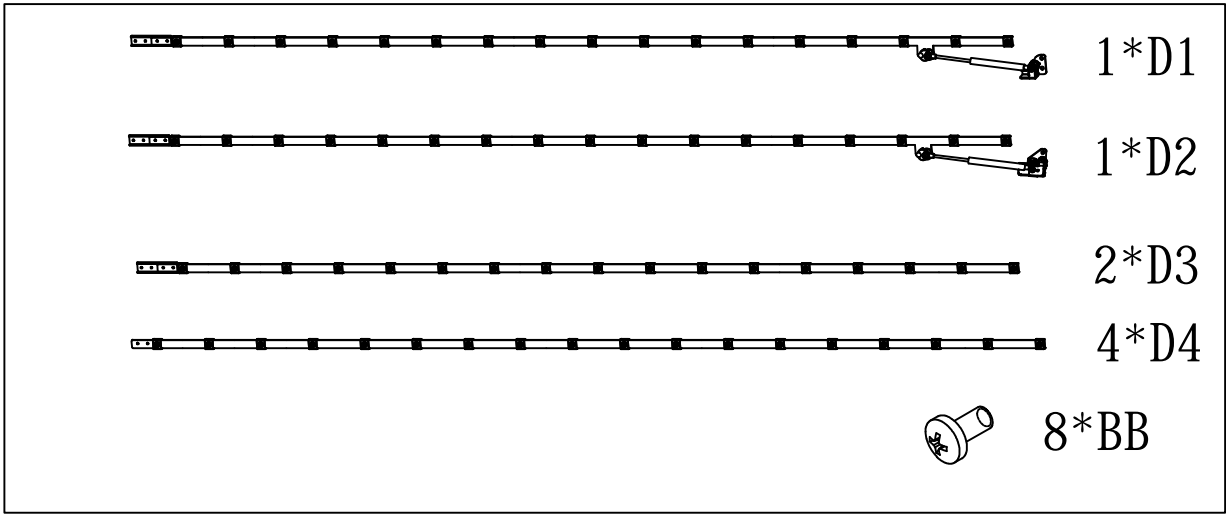
The first hole is not locked.



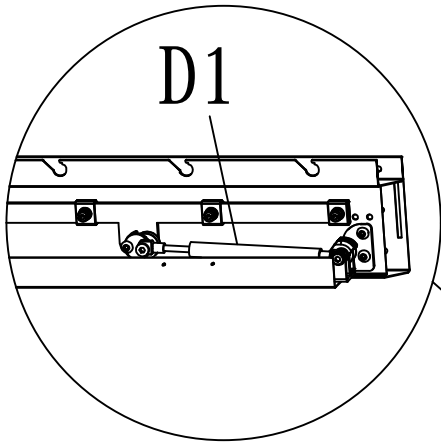


 18*AA1	 8*NN	 B7*1	 L1*2
 B11*1		 B8*1	



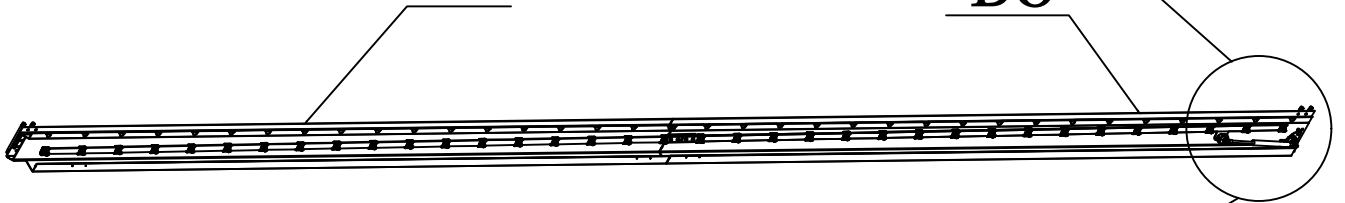


2*AA1

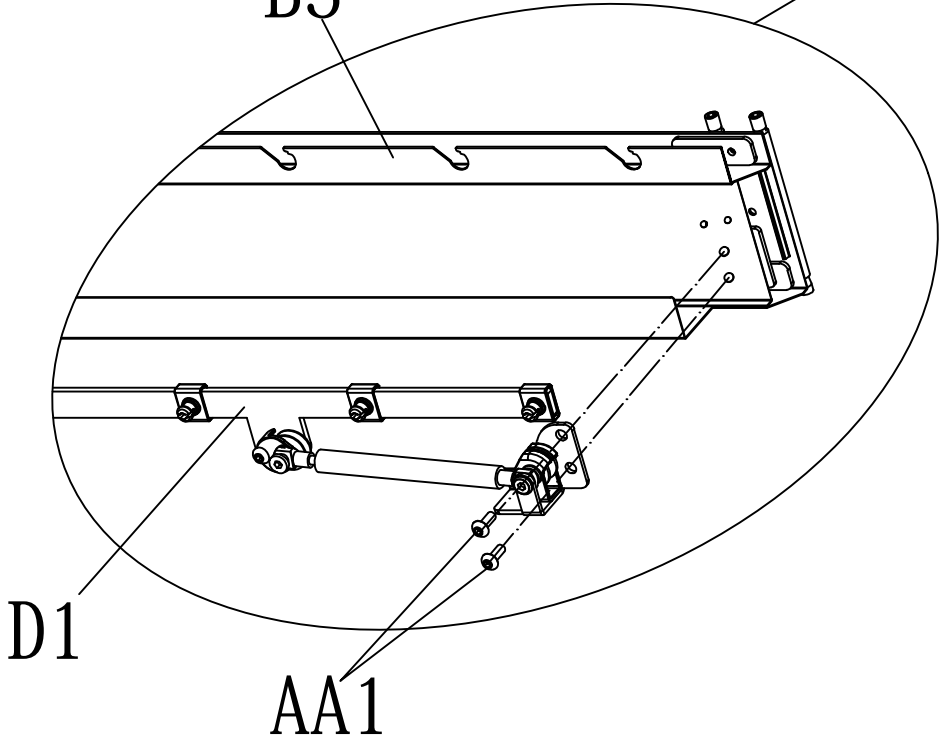


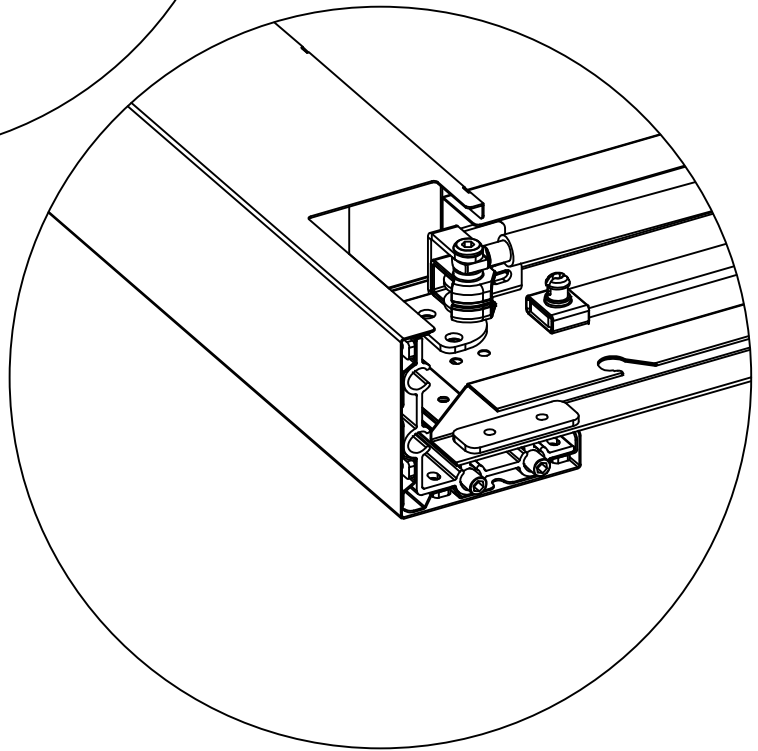
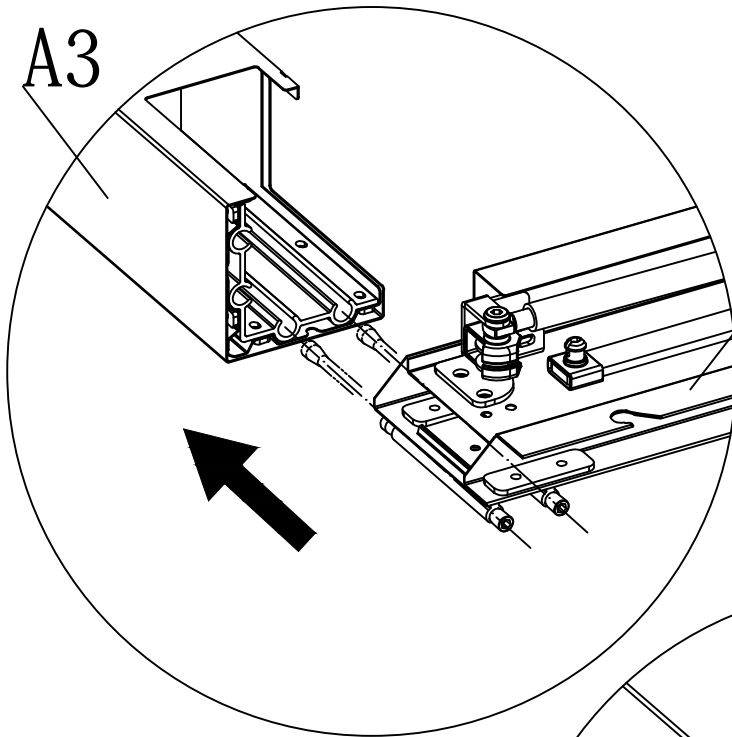
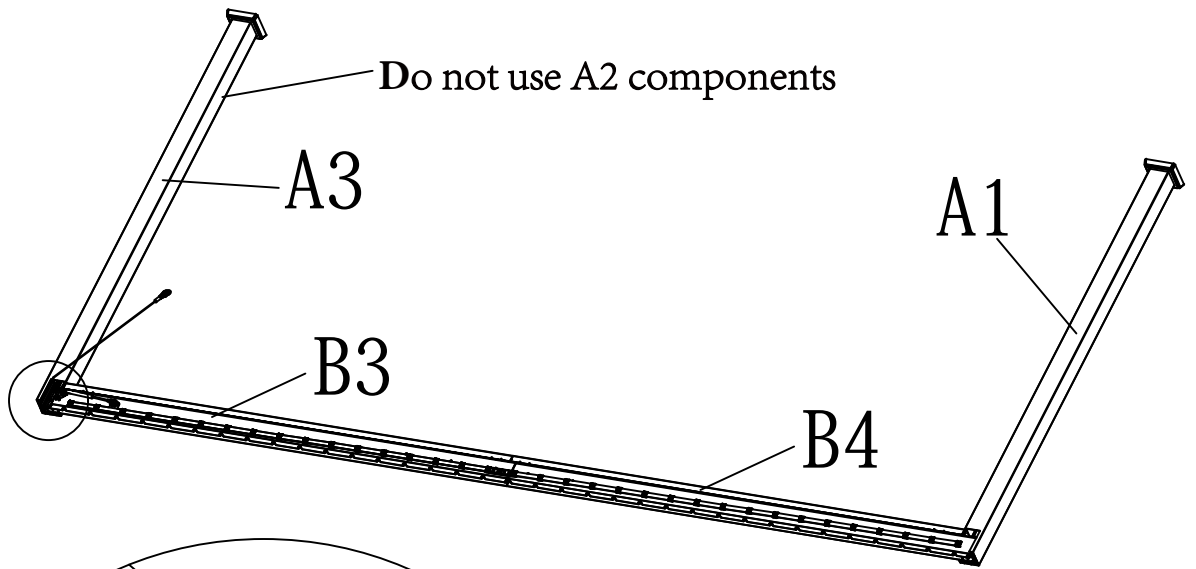
B4

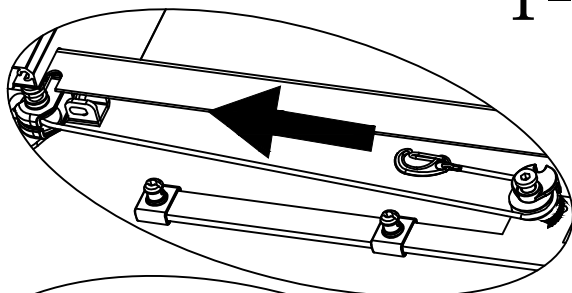
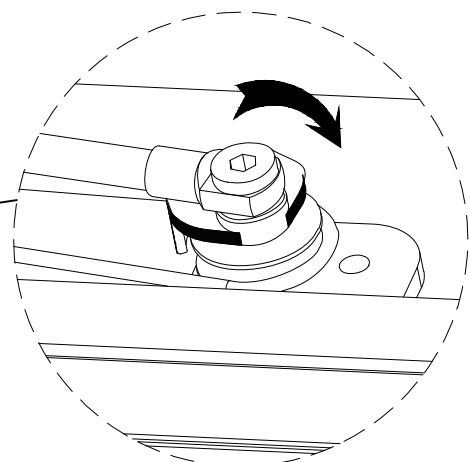
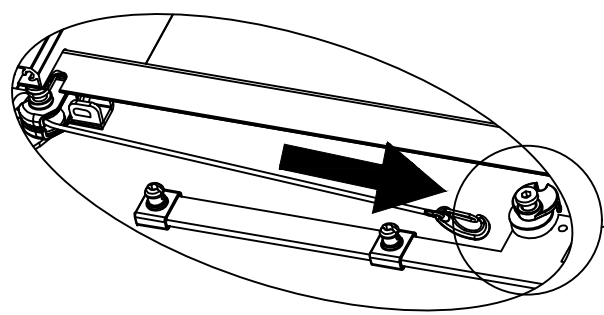
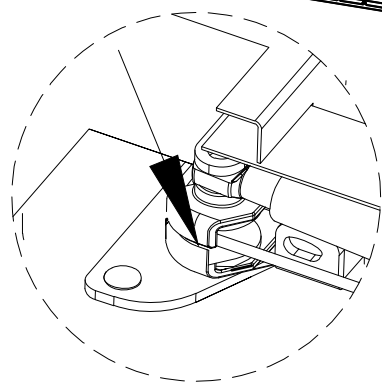
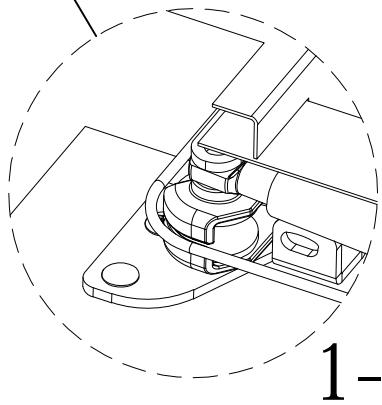
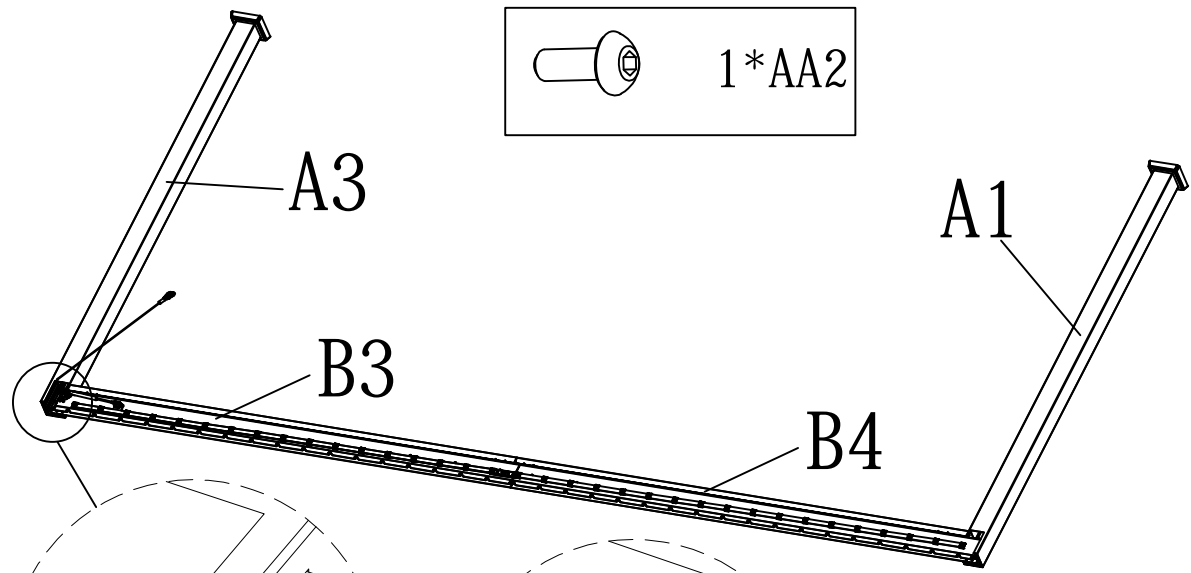
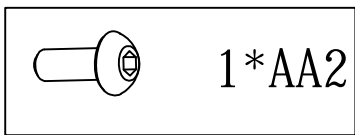
B3



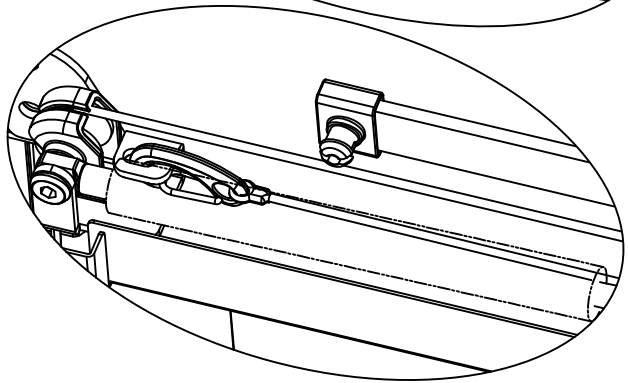
B3



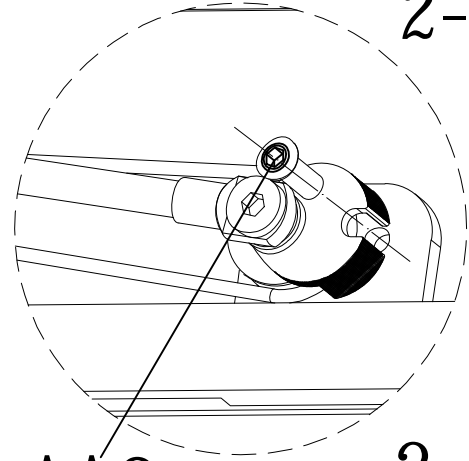




2-1

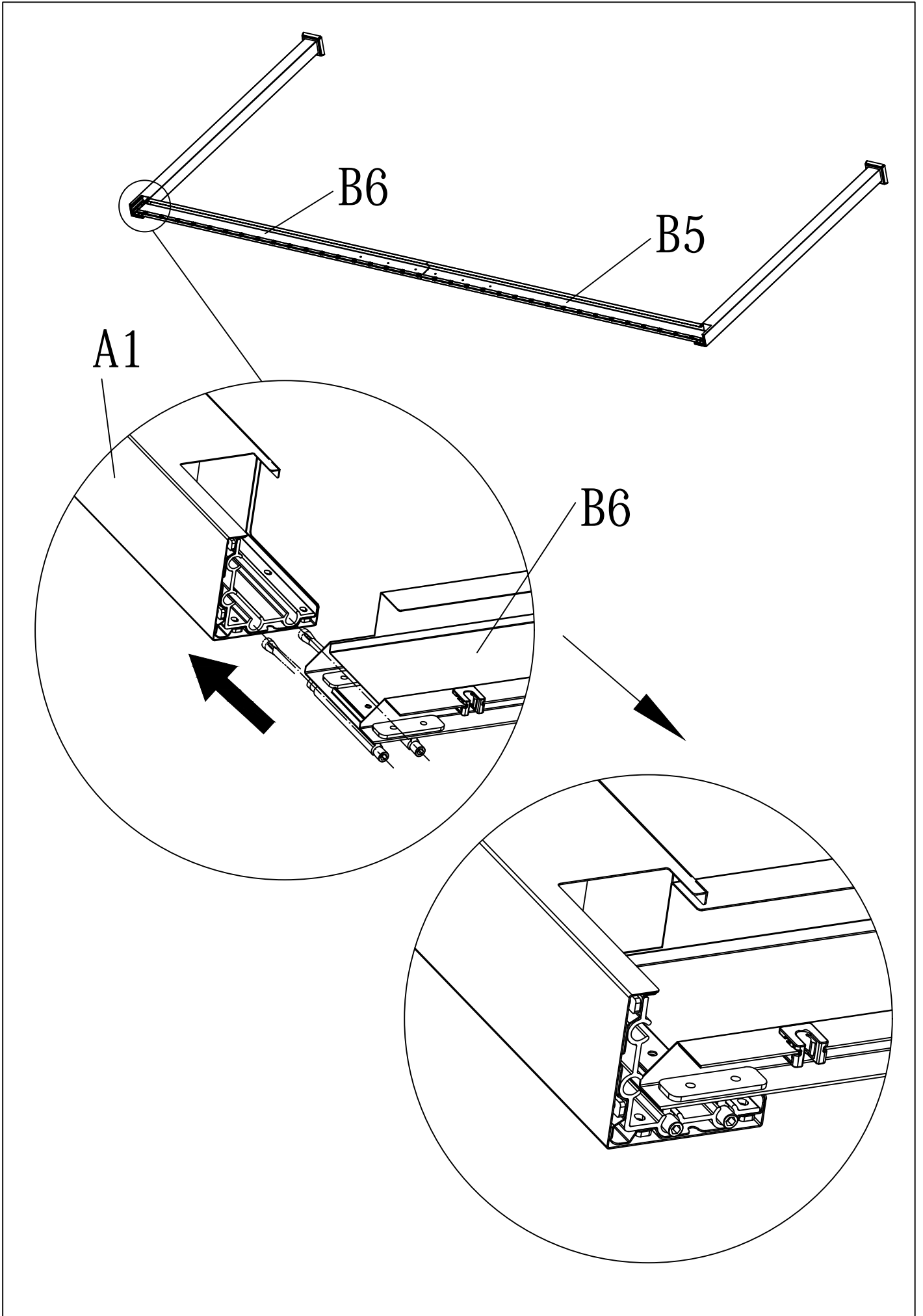


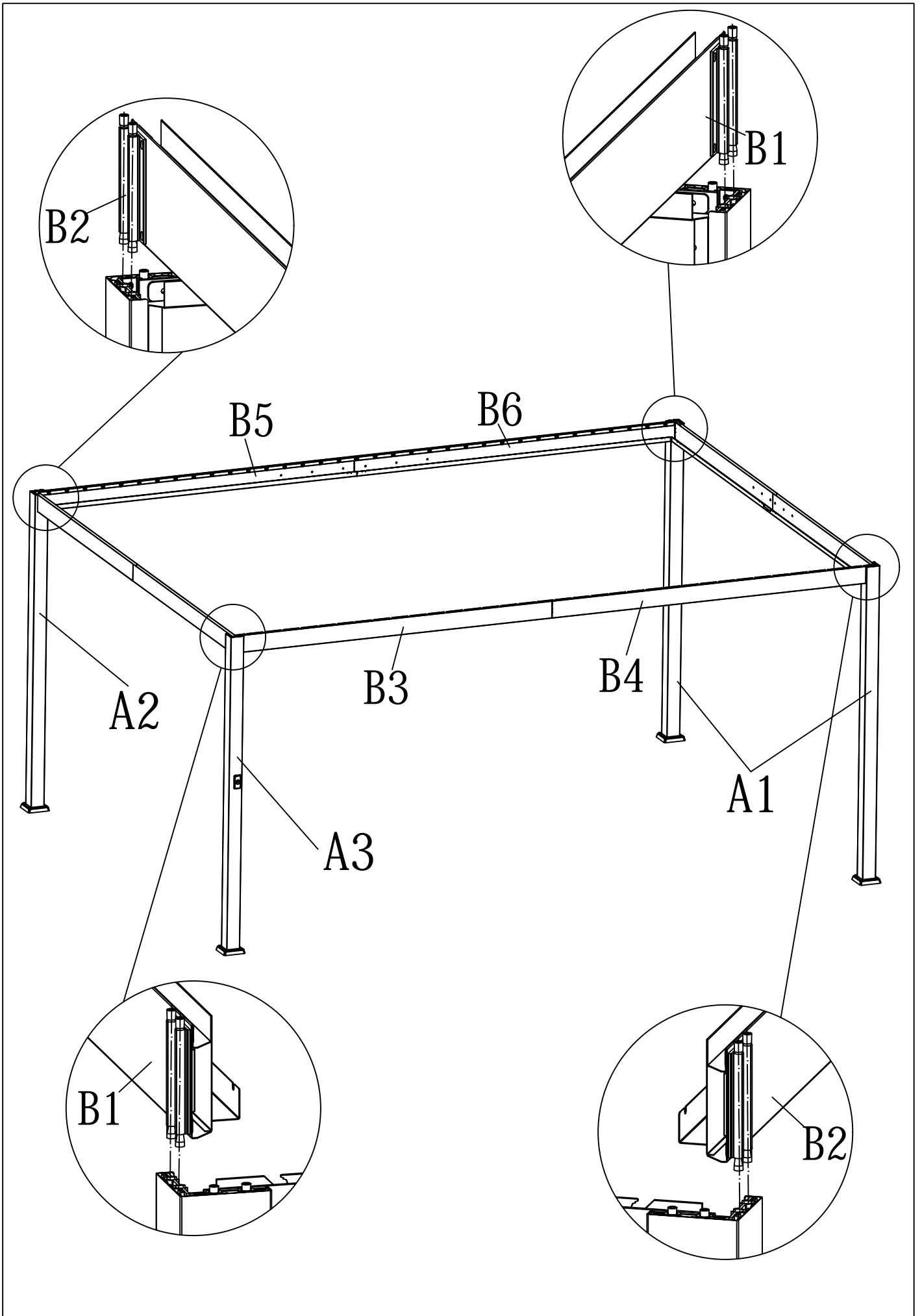
1-4




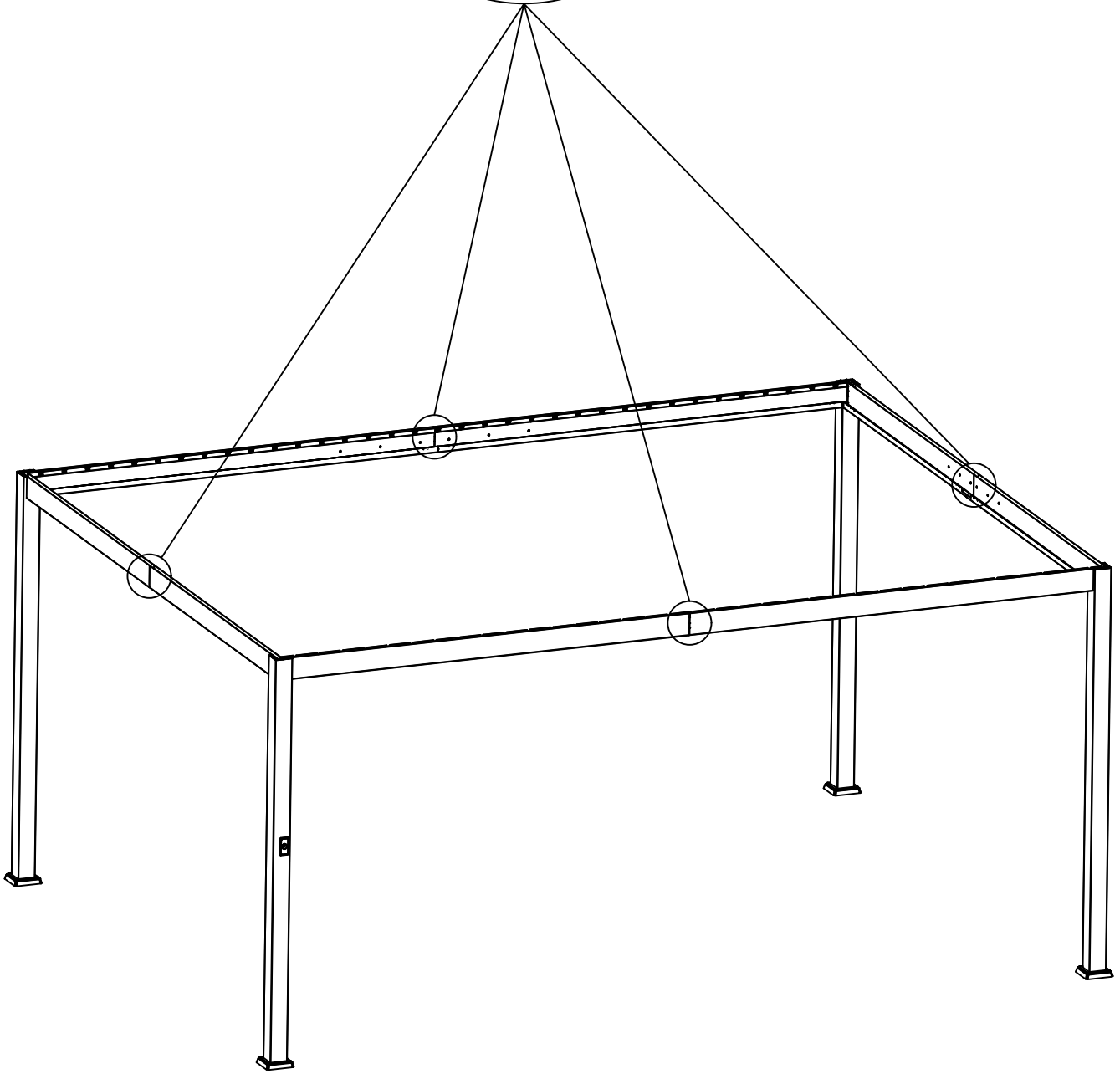
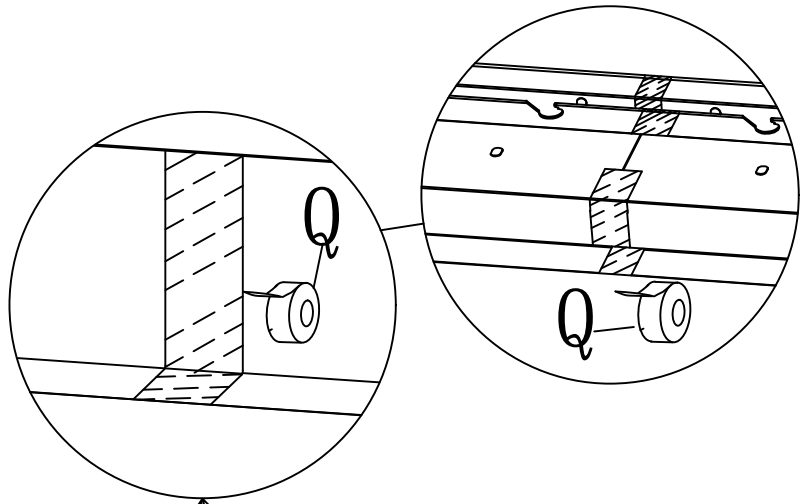
1-5 AA2

2-2

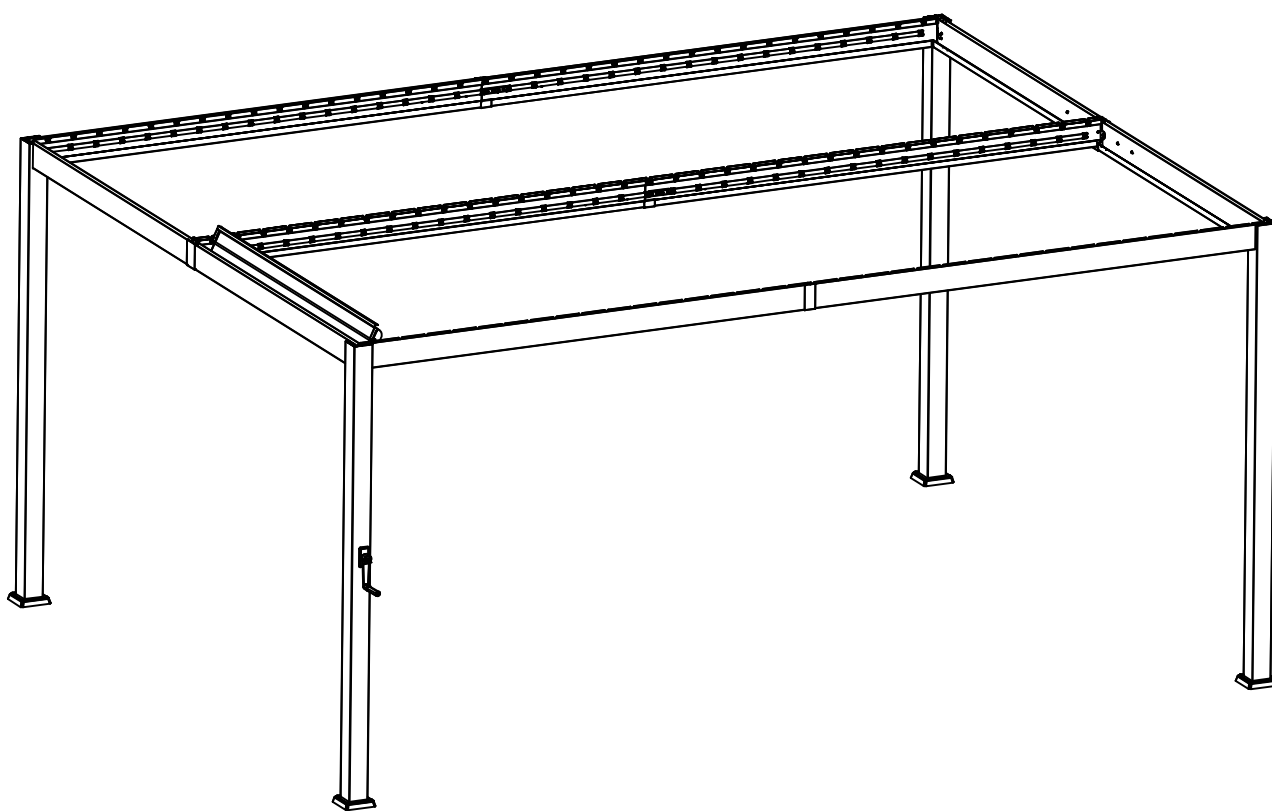


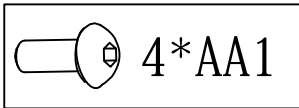


 1*Q

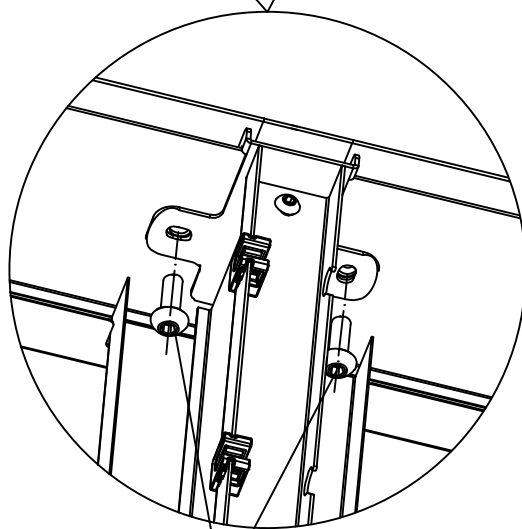
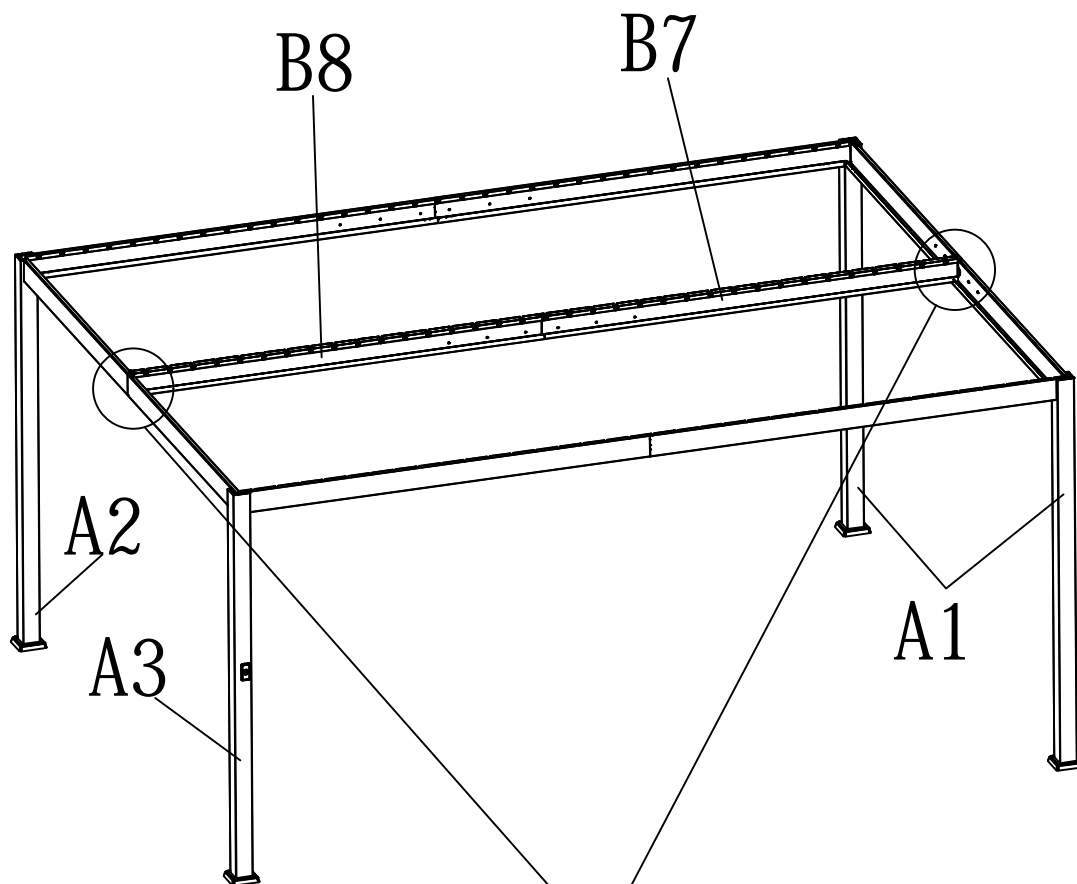


Phase 2: Top Frame





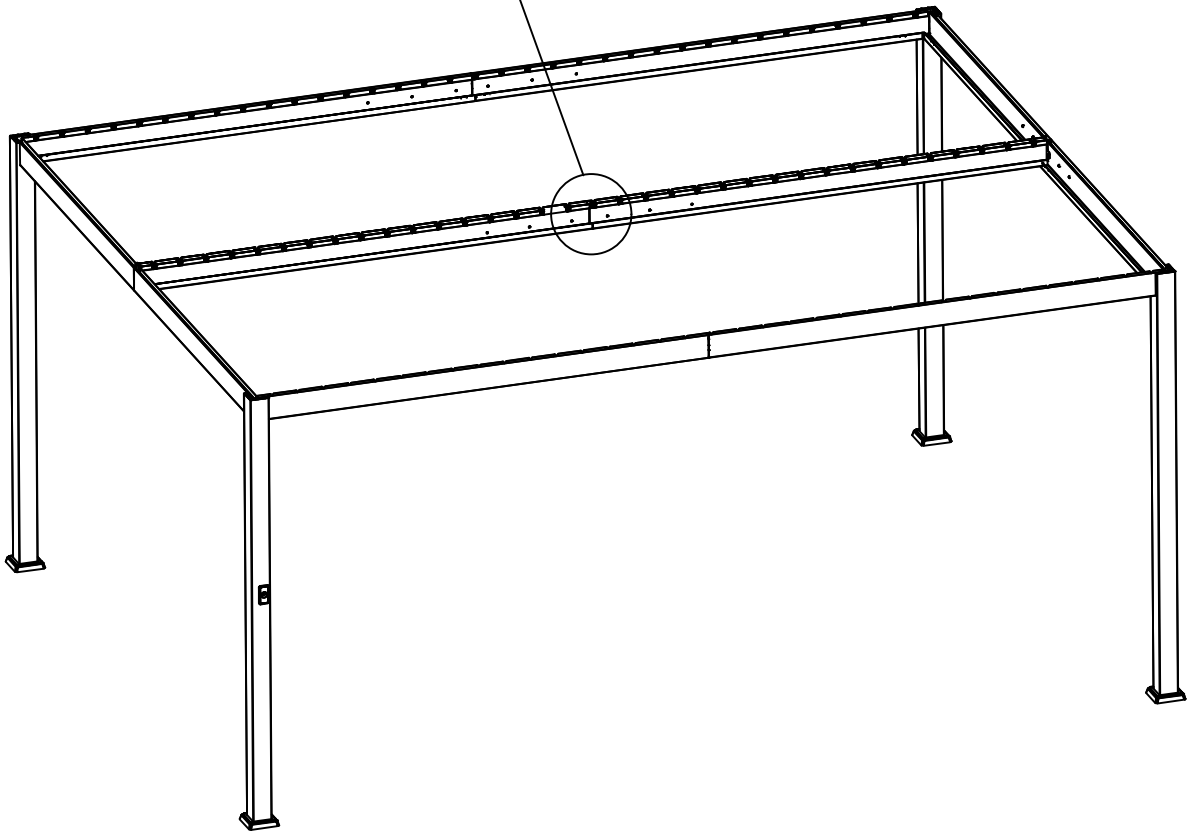
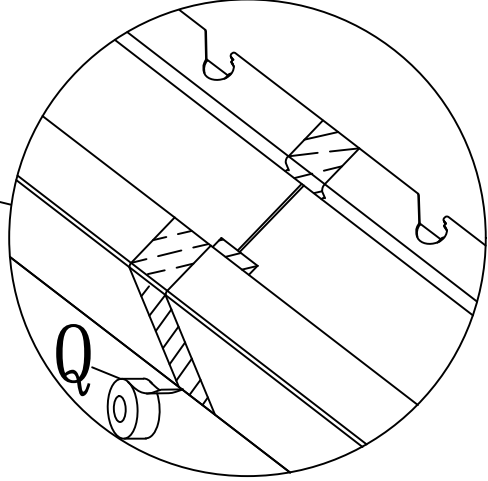
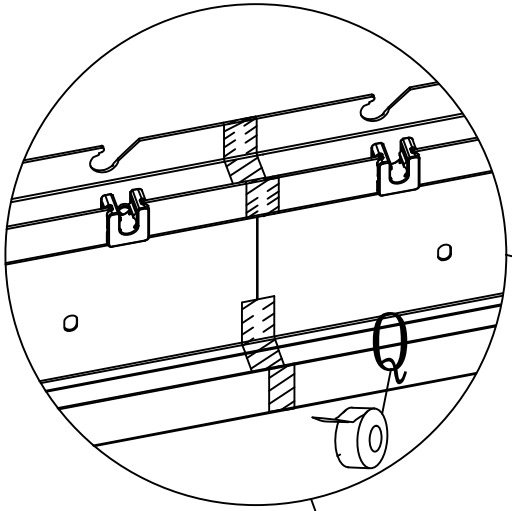
Pay attention to the installation directions of B7 and B8



AA1



1*Q



M1*1

M2*2

M3*2

M1

M3

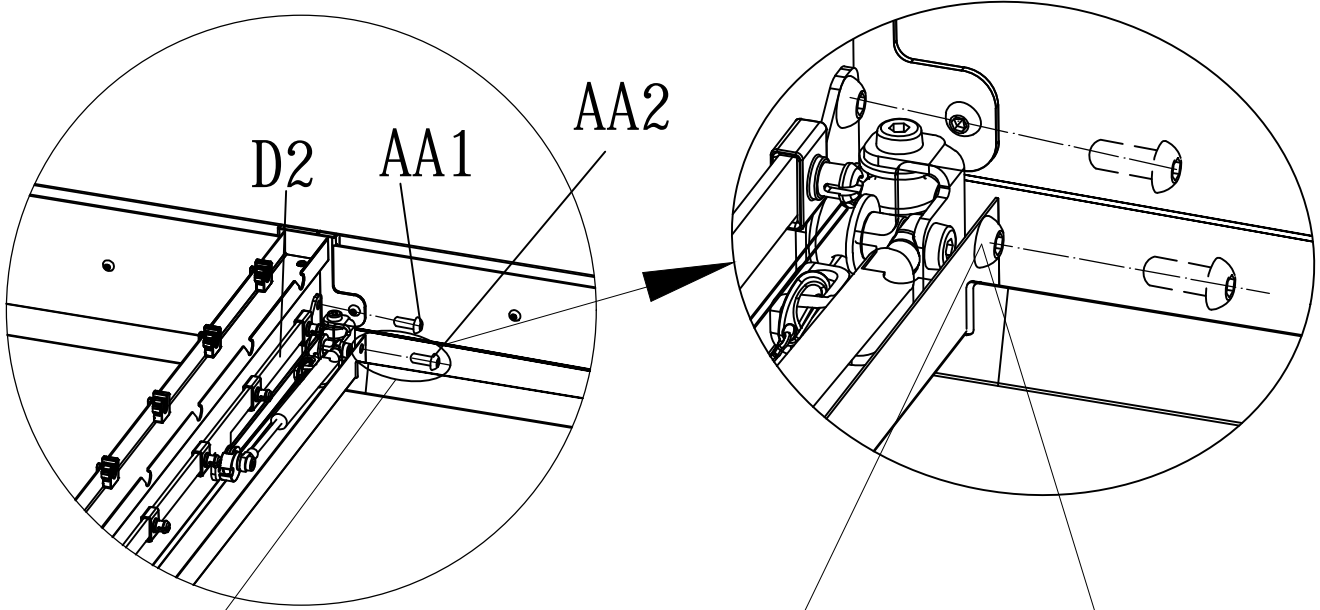
M3

M1

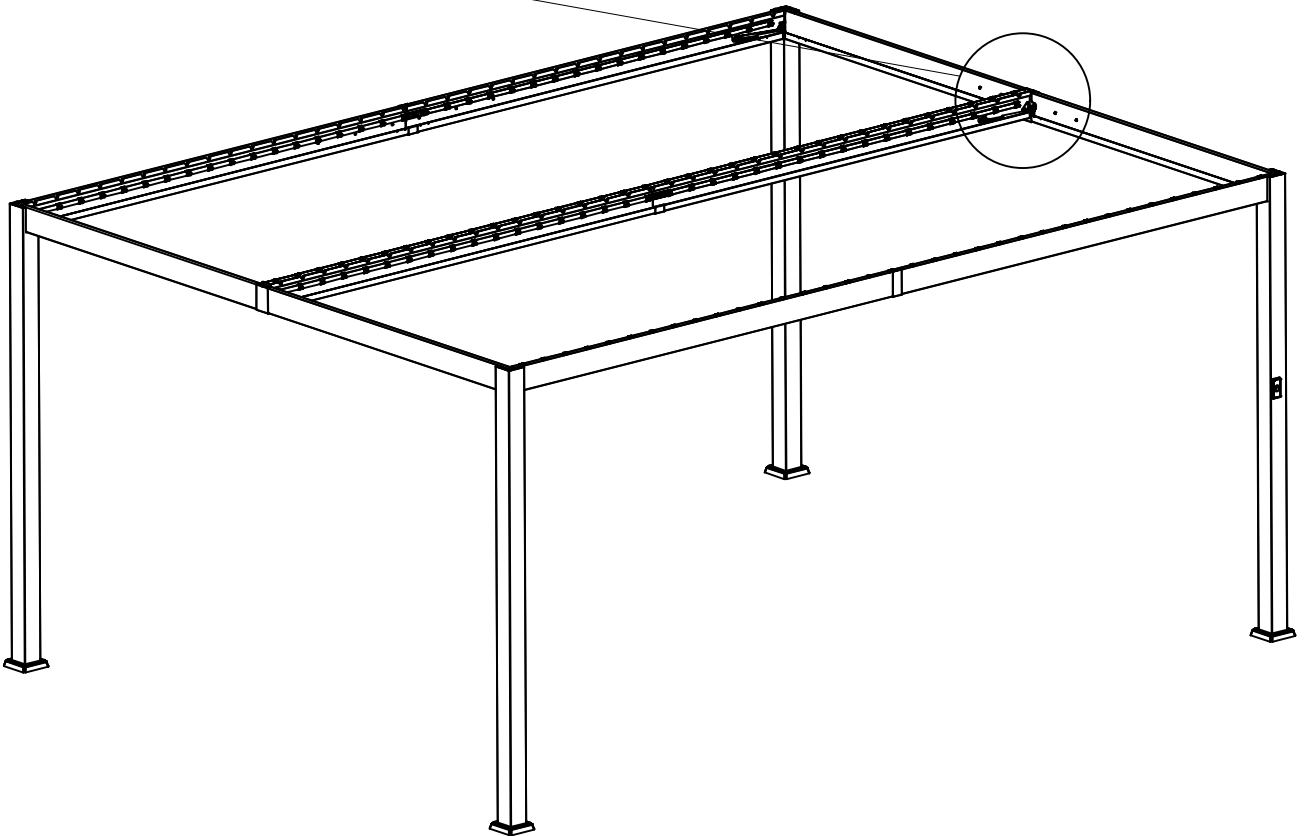
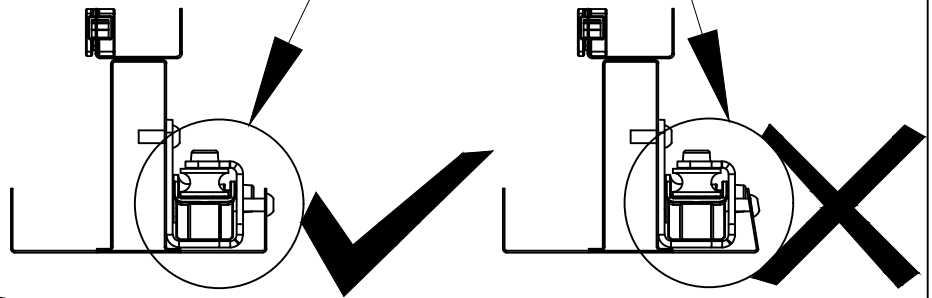
M2

M2

1*AA1 1*AA2

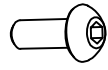


Please don't use excessive force to tighten the screws otherwise the beam will deform.

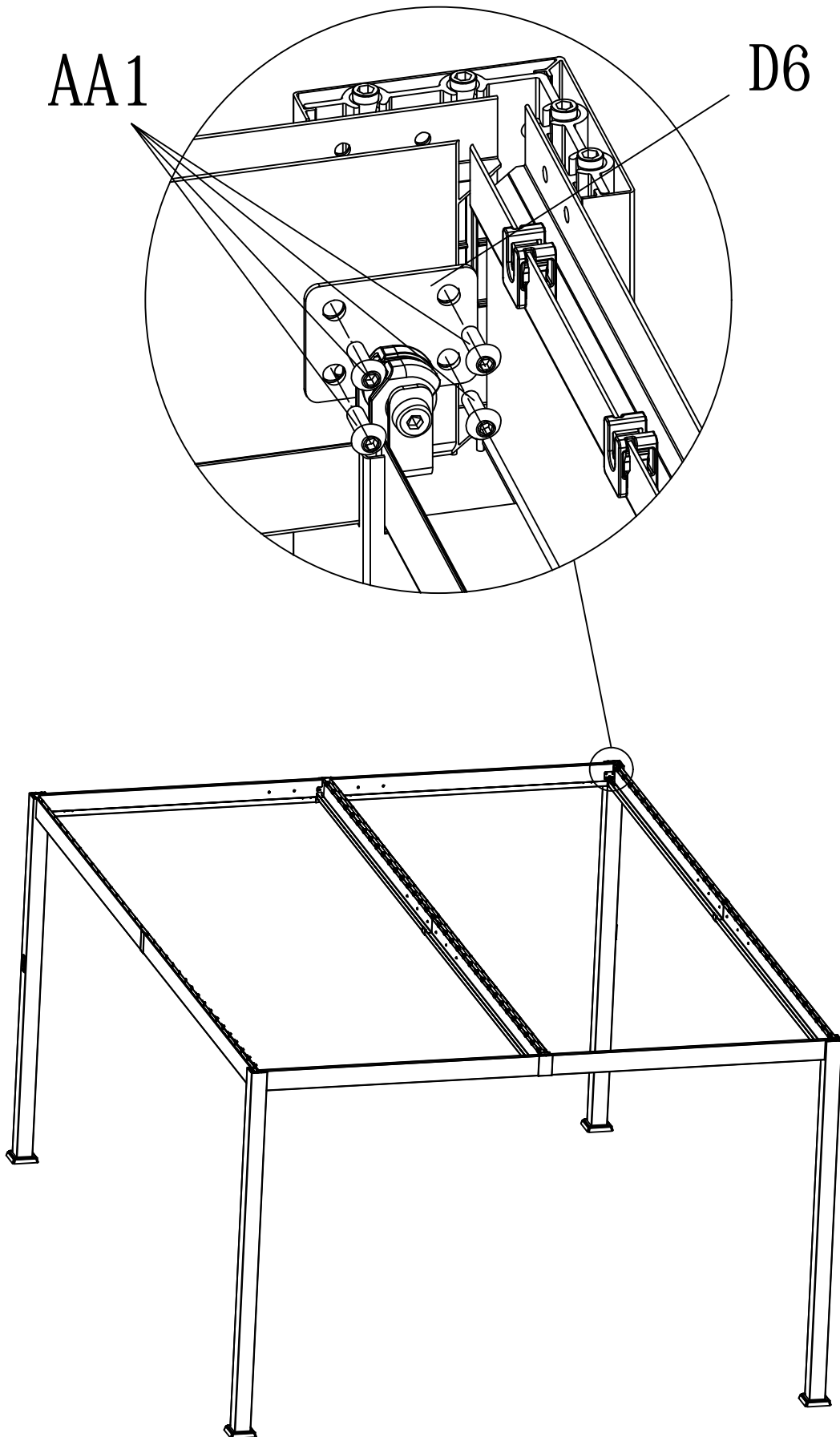




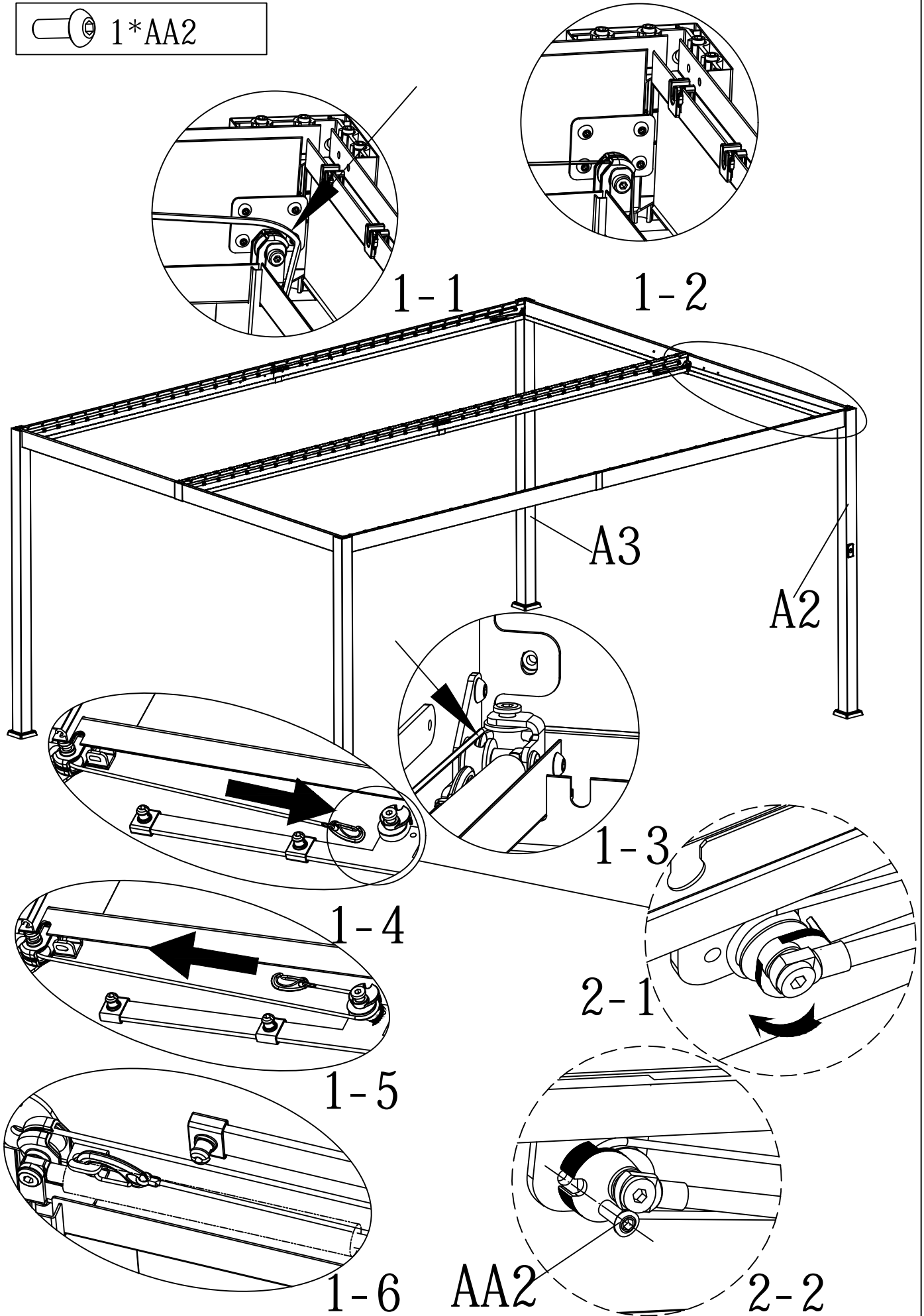
1*D6

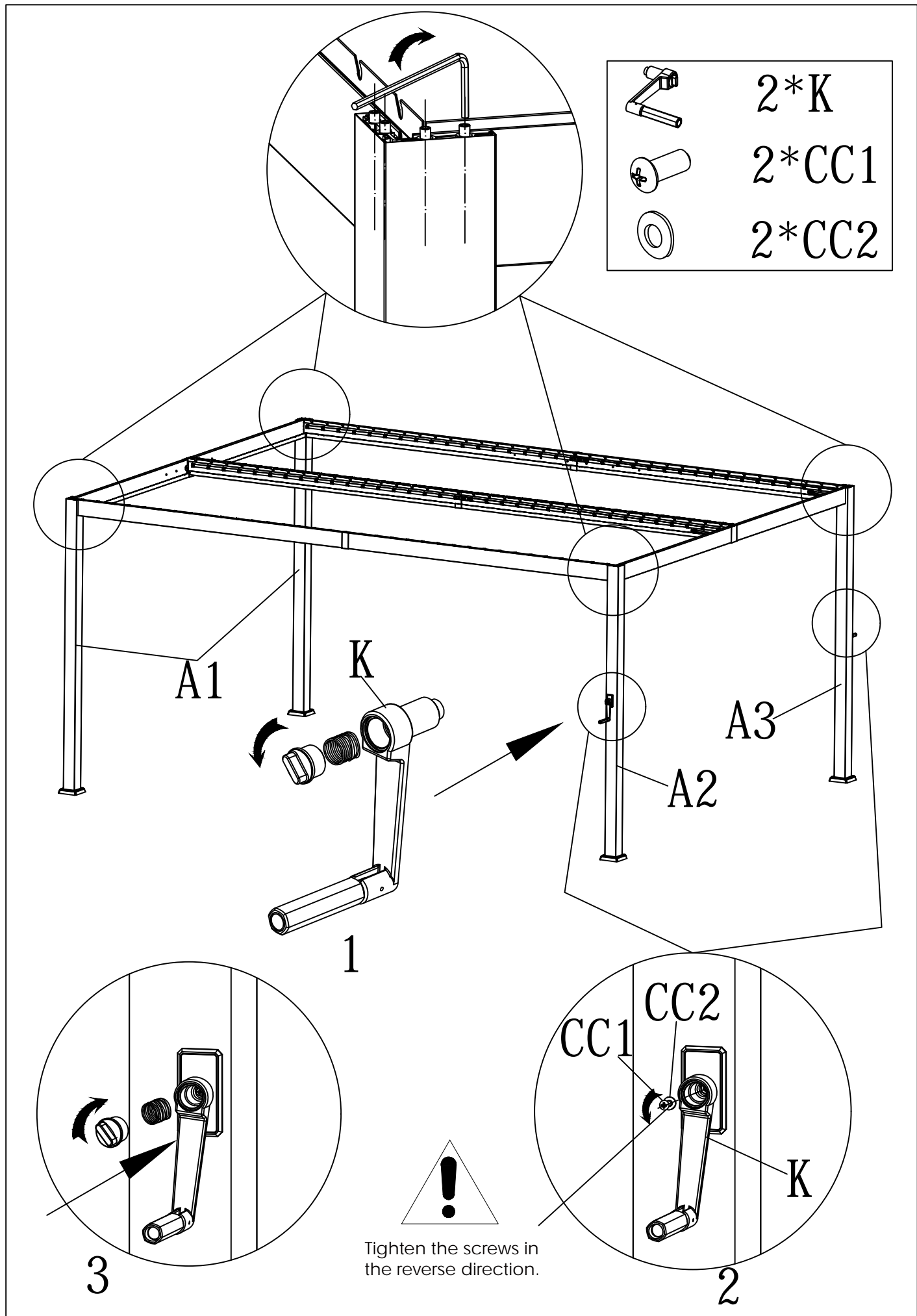


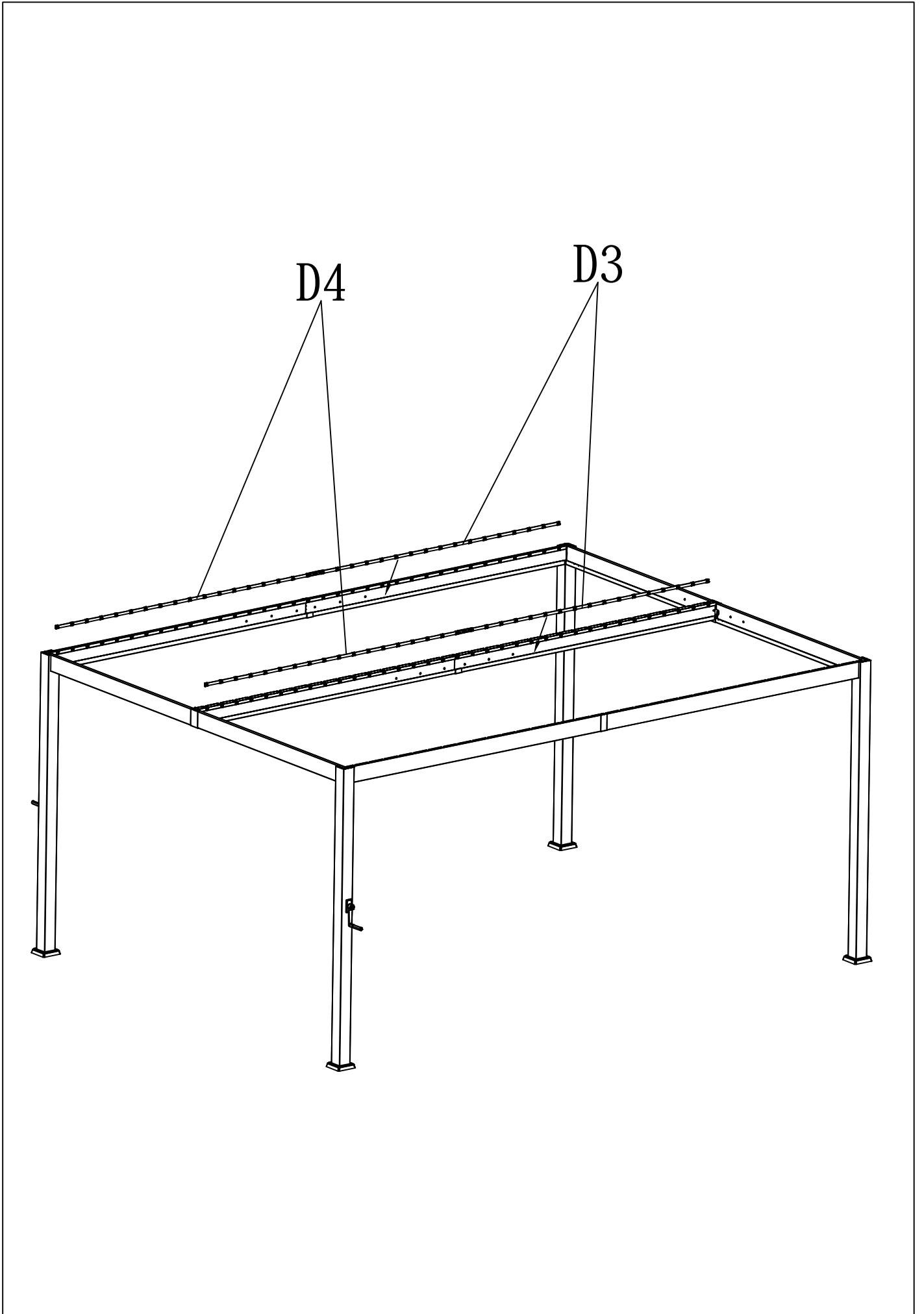
4*AA1



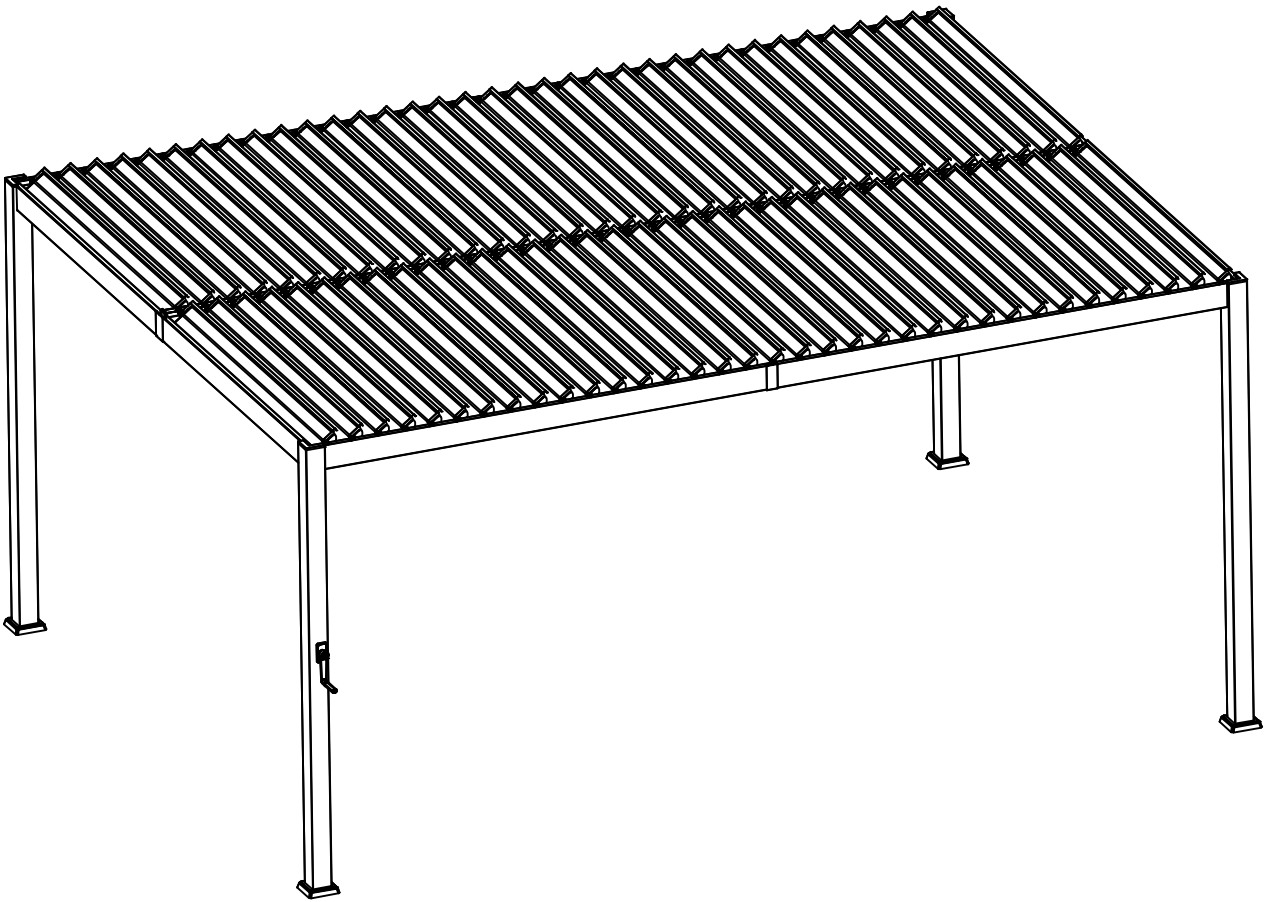
1*AA2

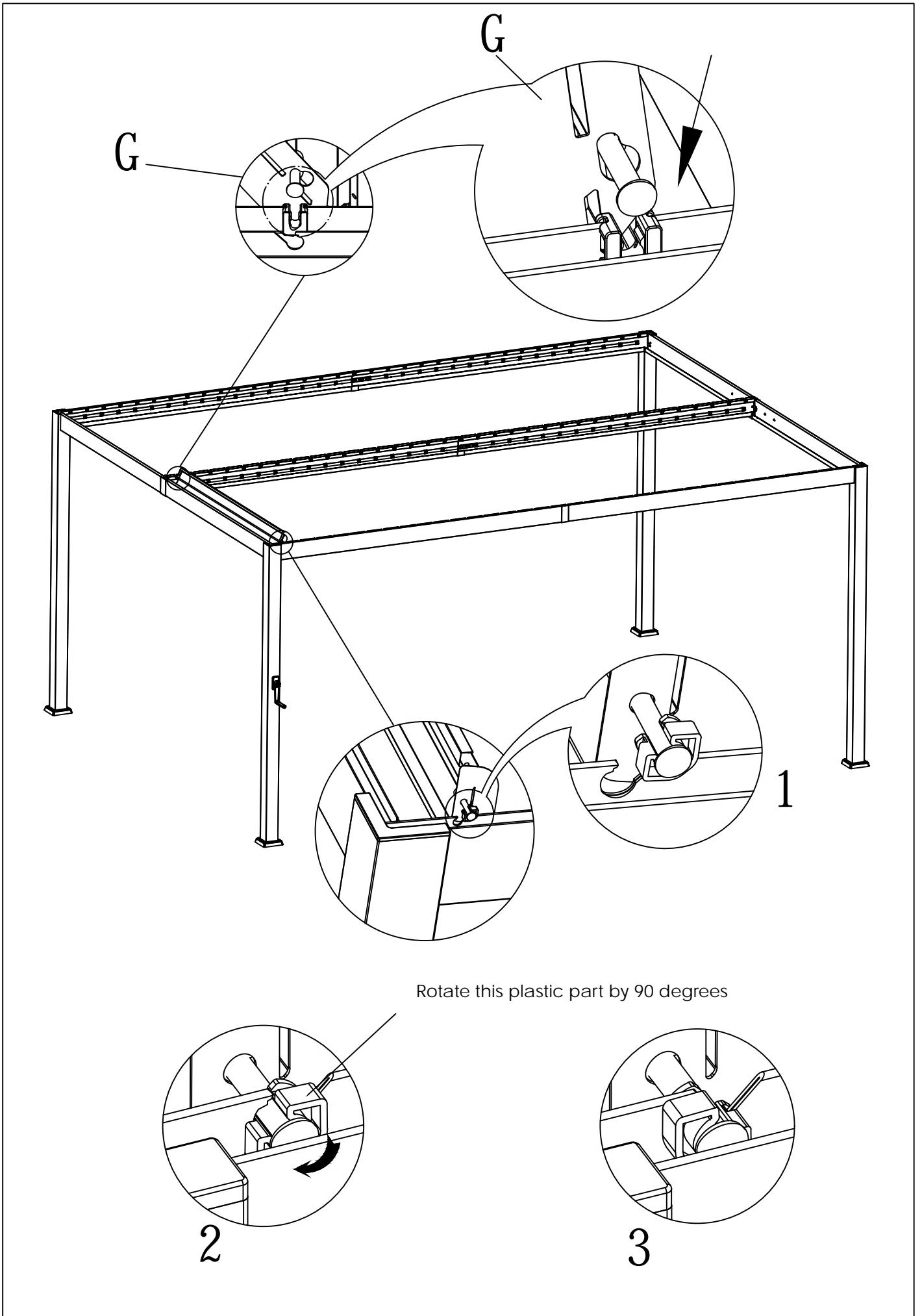






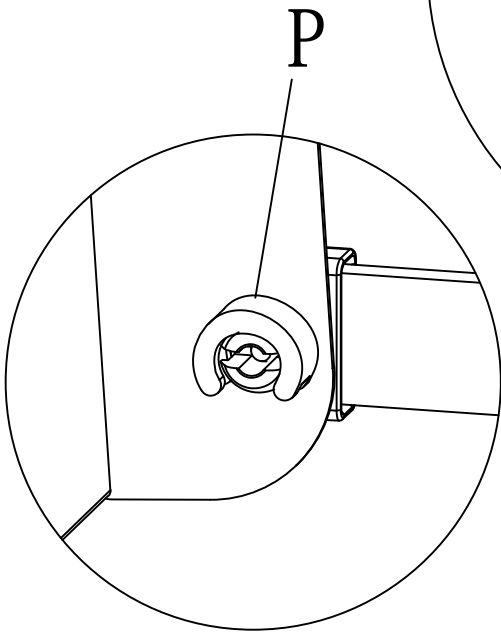
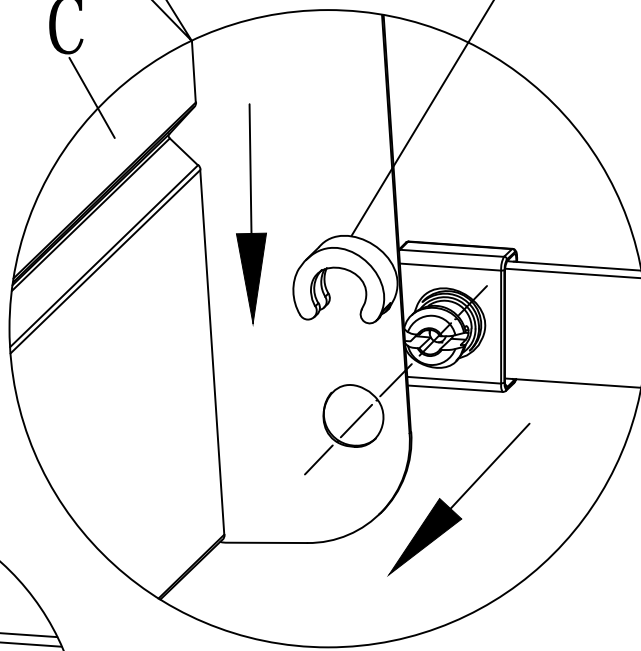
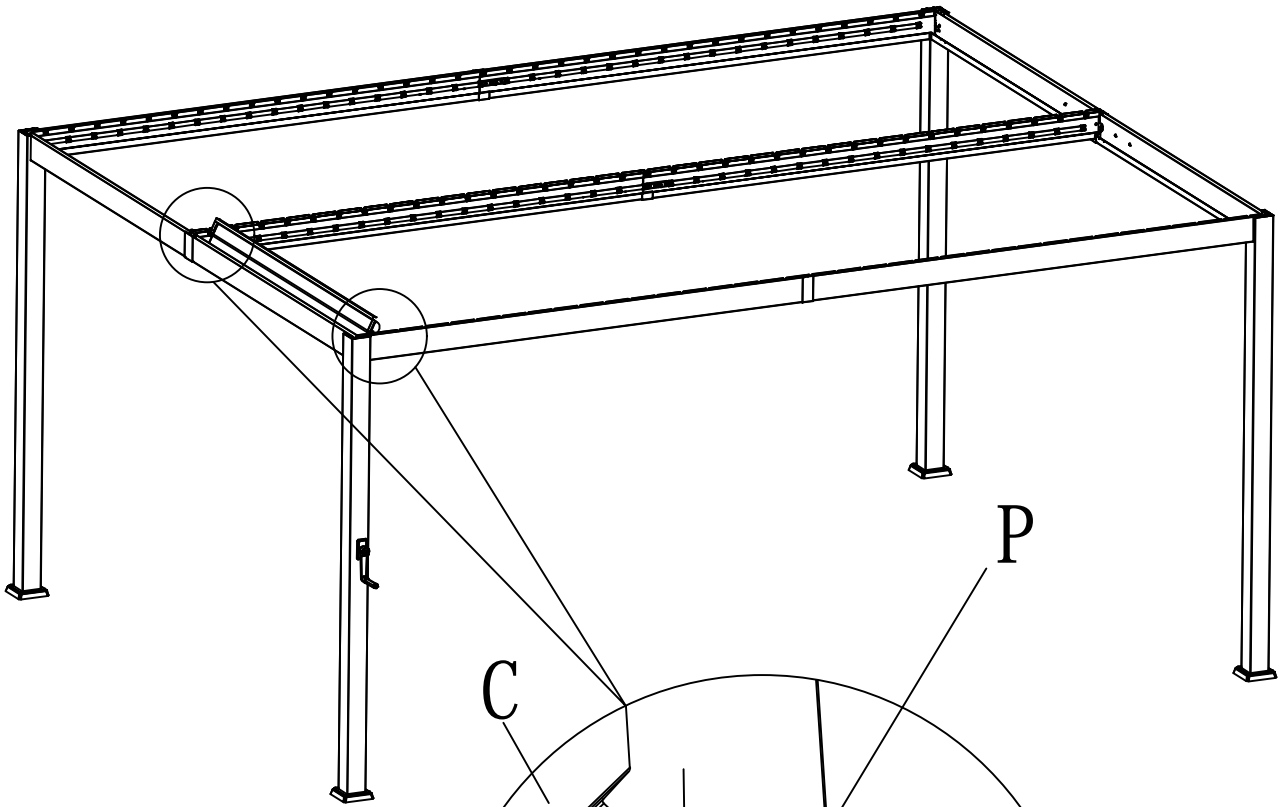
Phase 3: Top Material







2*P



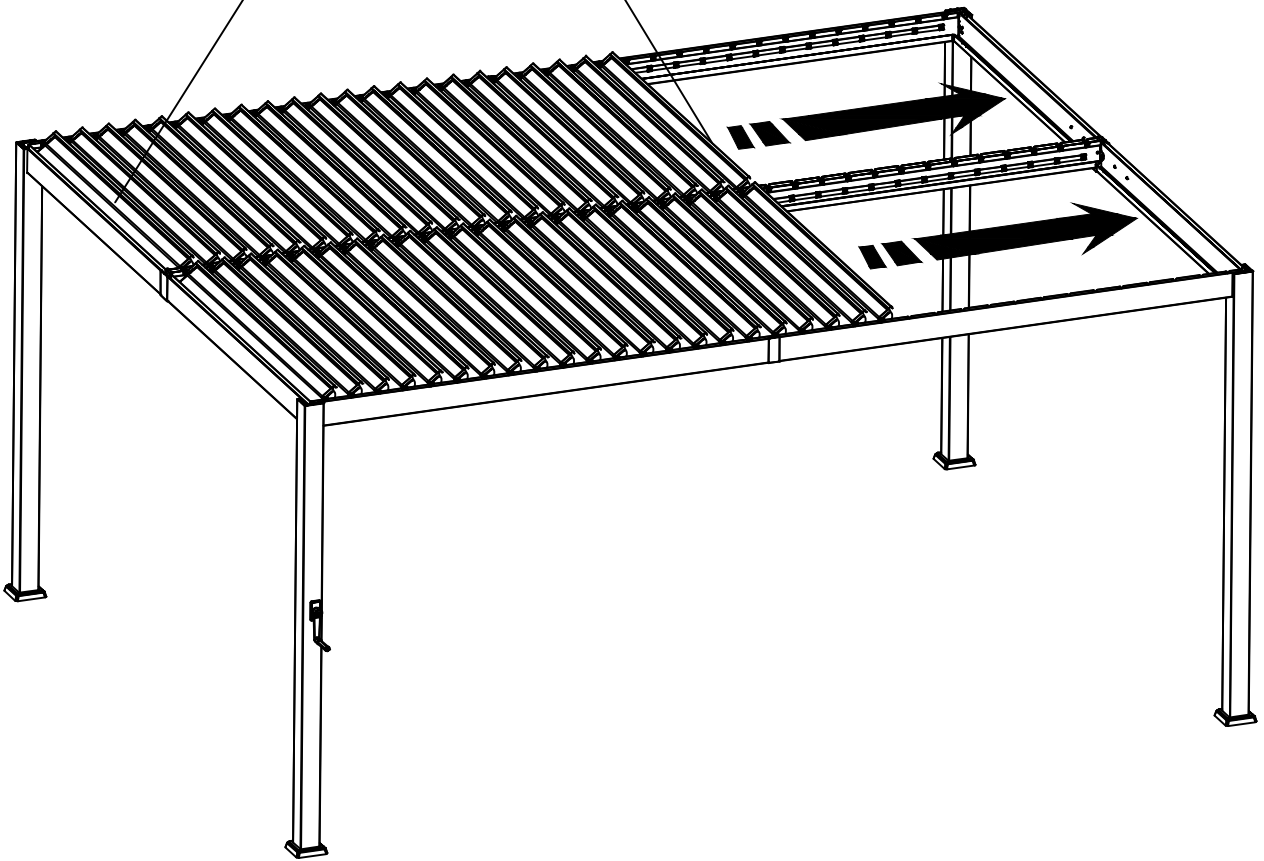
1

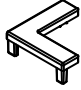
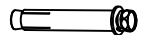
2

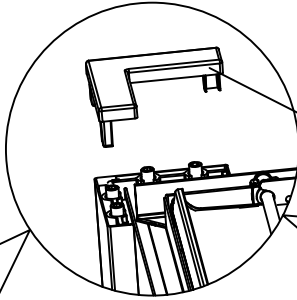


138*P

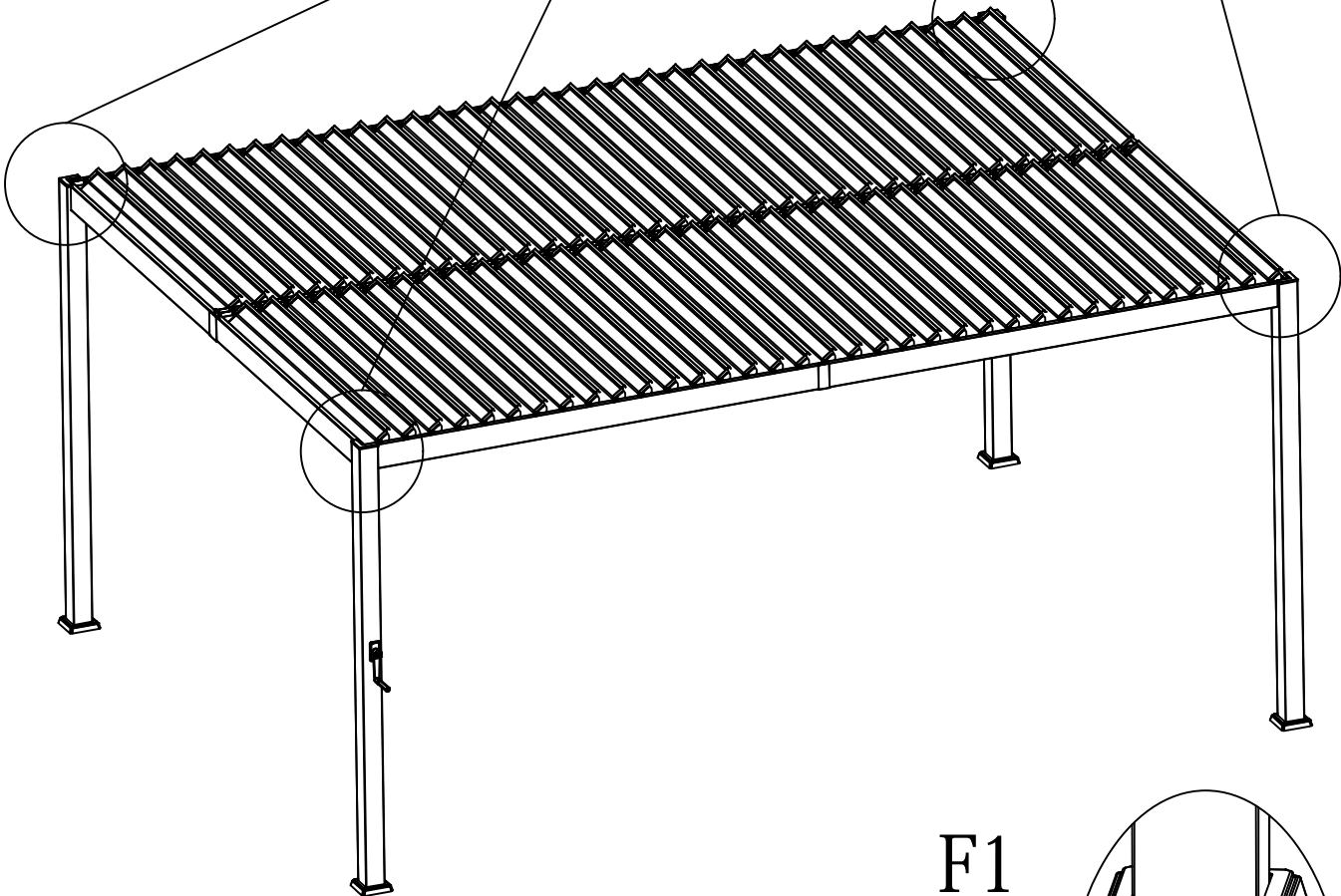
C



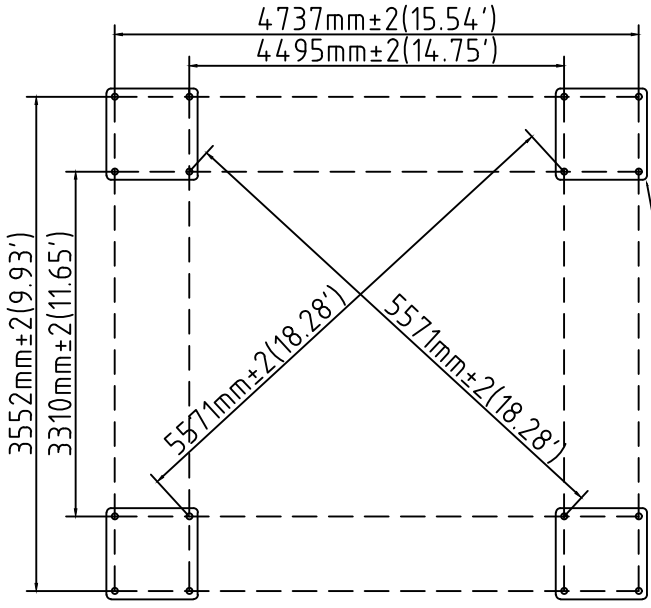
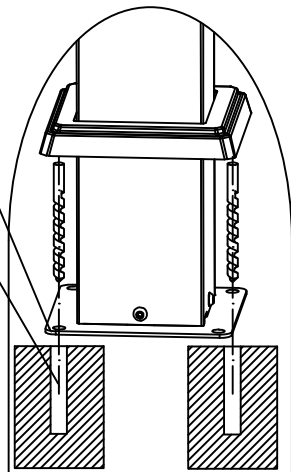
	
4*H	16*EE



H

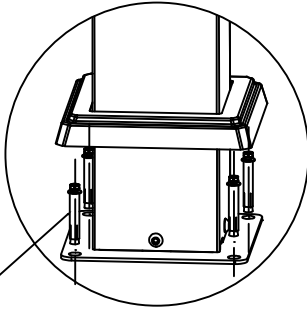


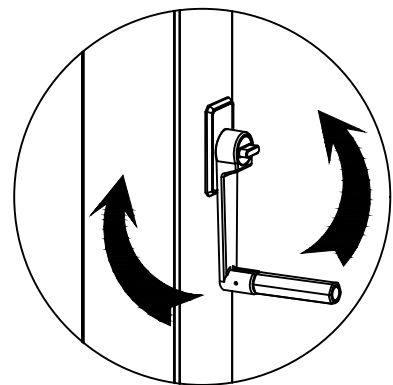
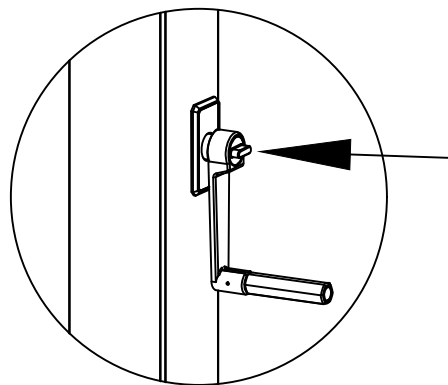
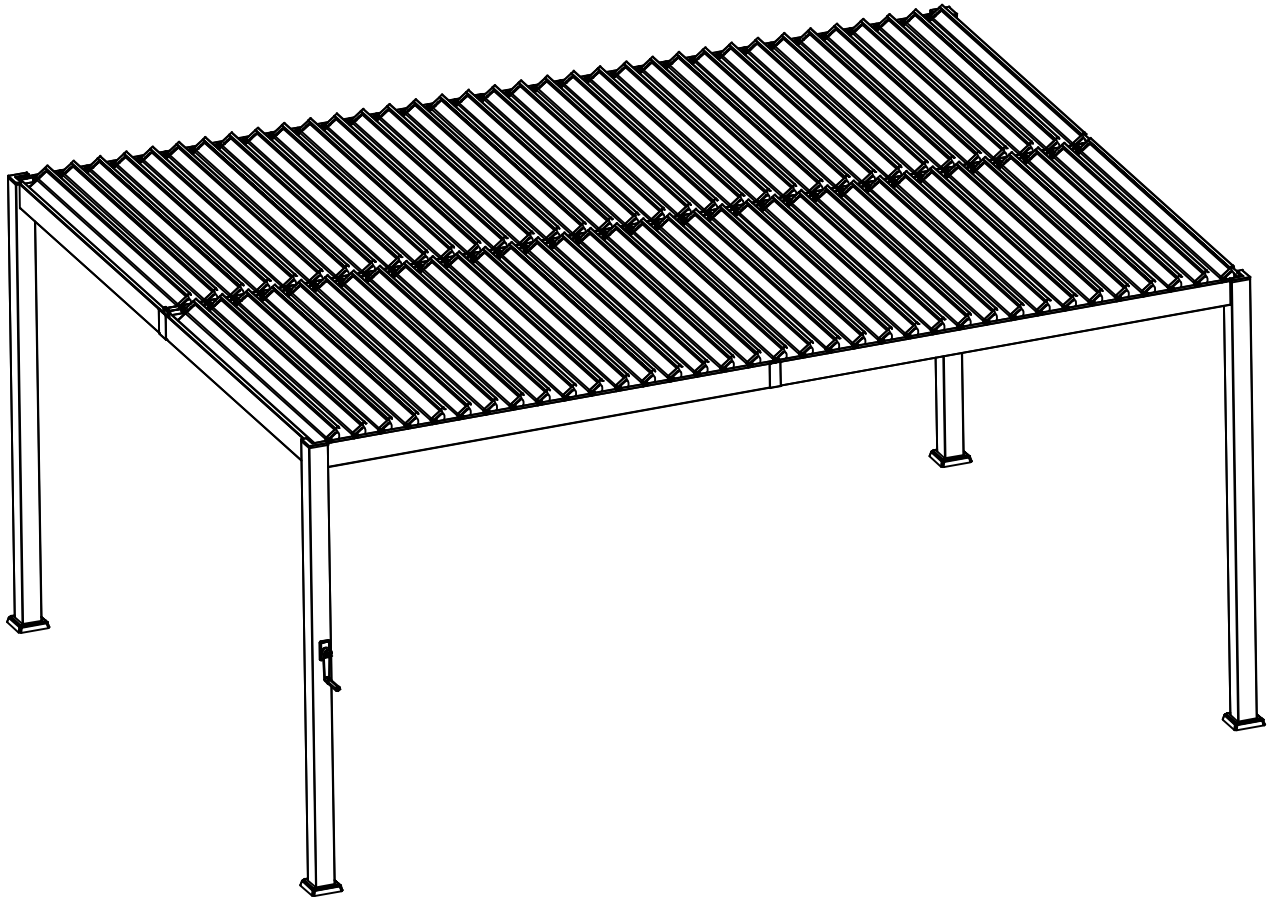
F1
 $\Phi 8 * 100$



F1

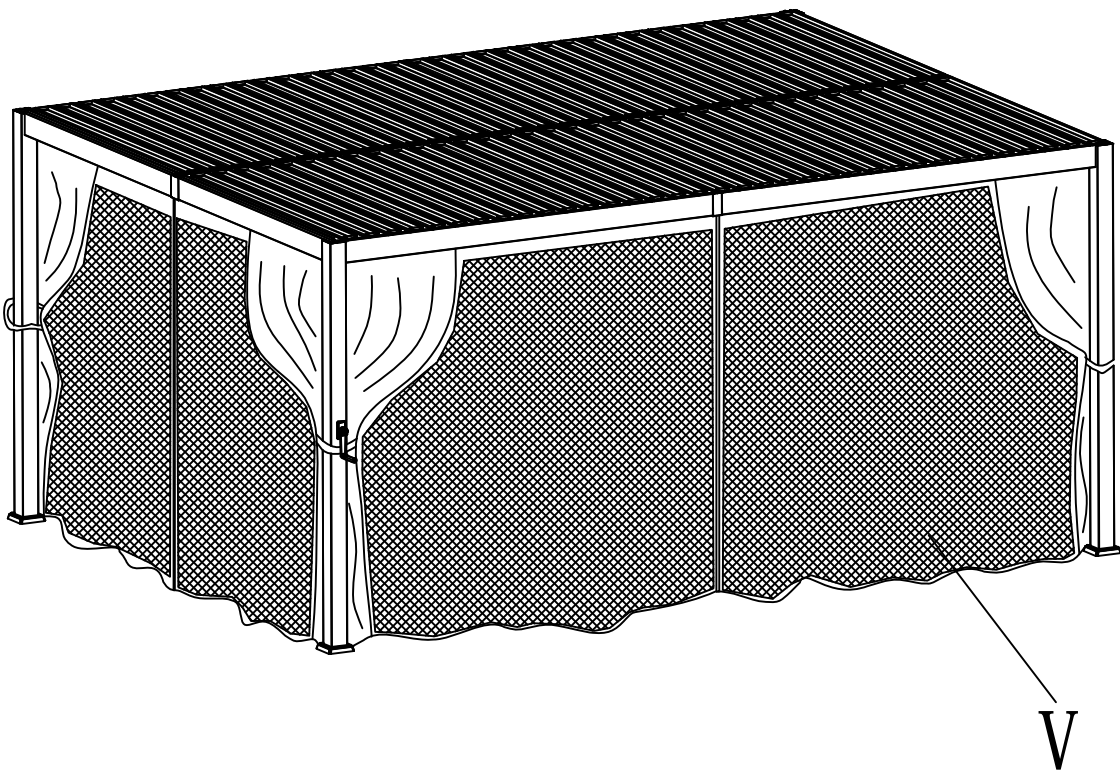
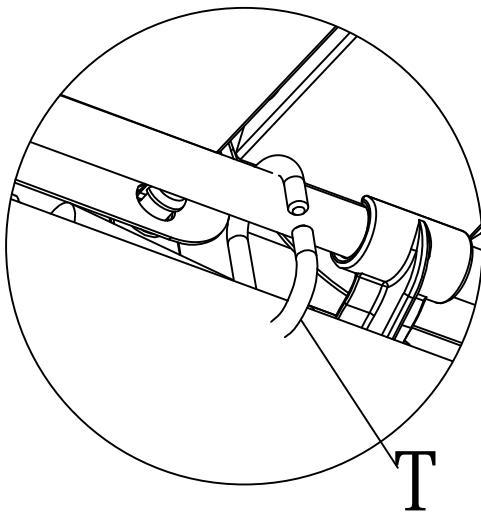
EE









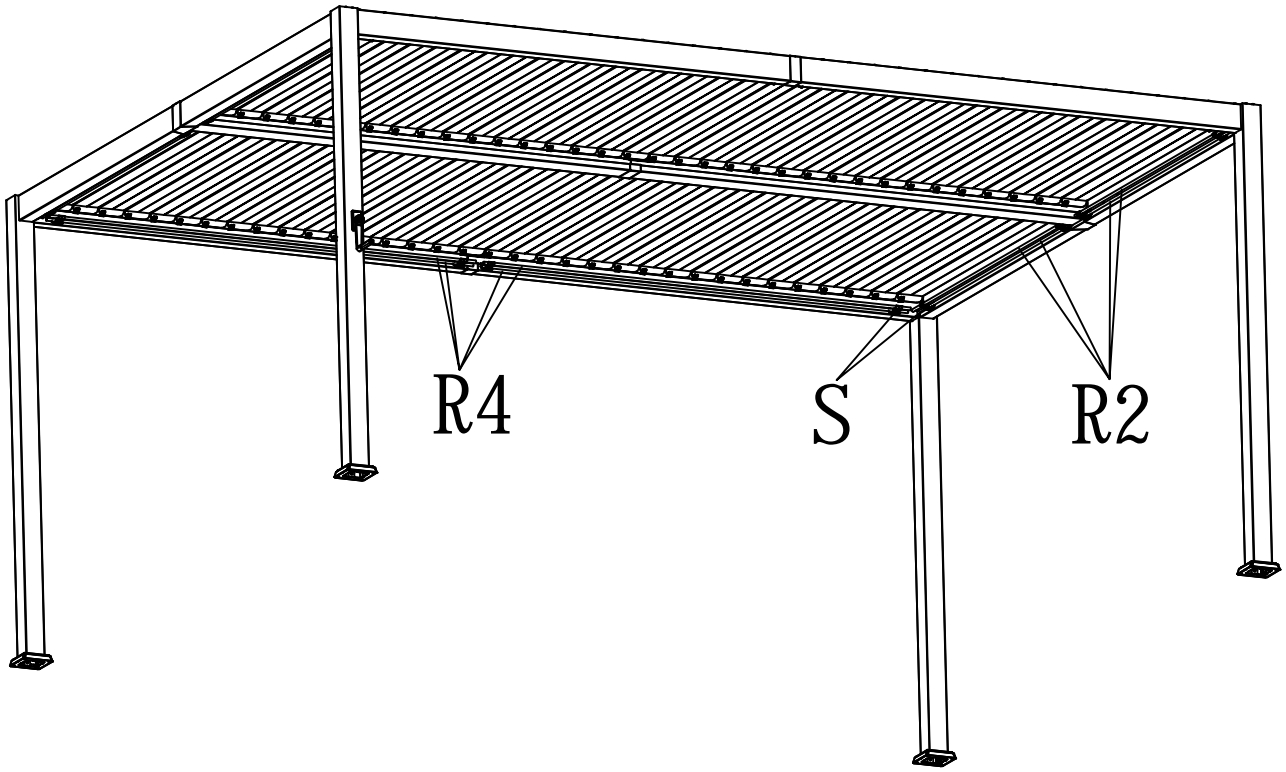
Press the handle down until it is close to the panel.
At this point, adjusting the angle of the handle will not cause
the top louver panel to rotate.

Phase 4: Hang Curtains

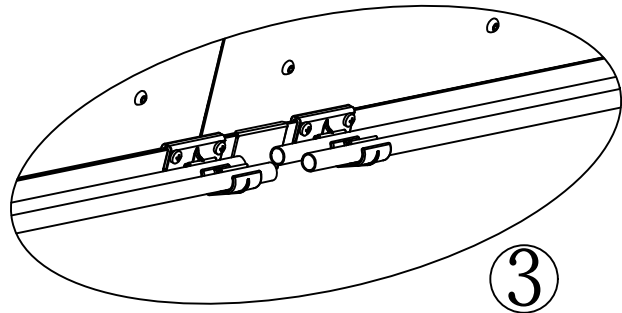
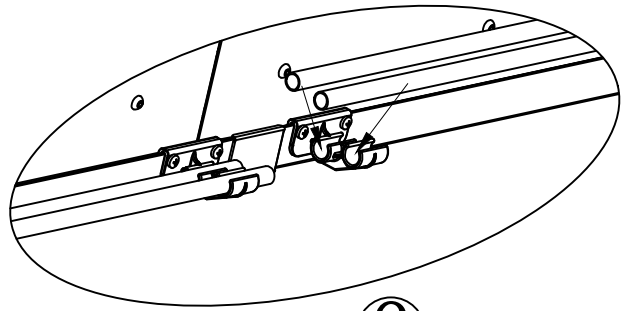
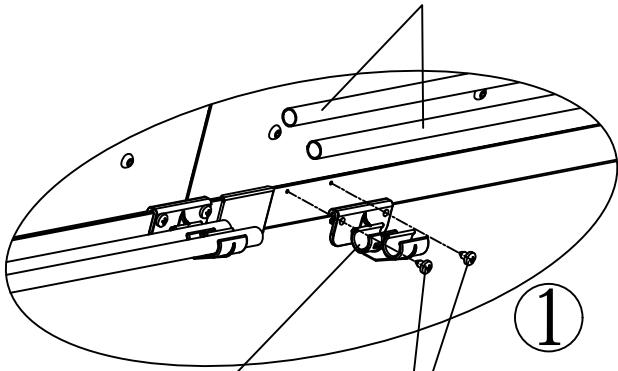


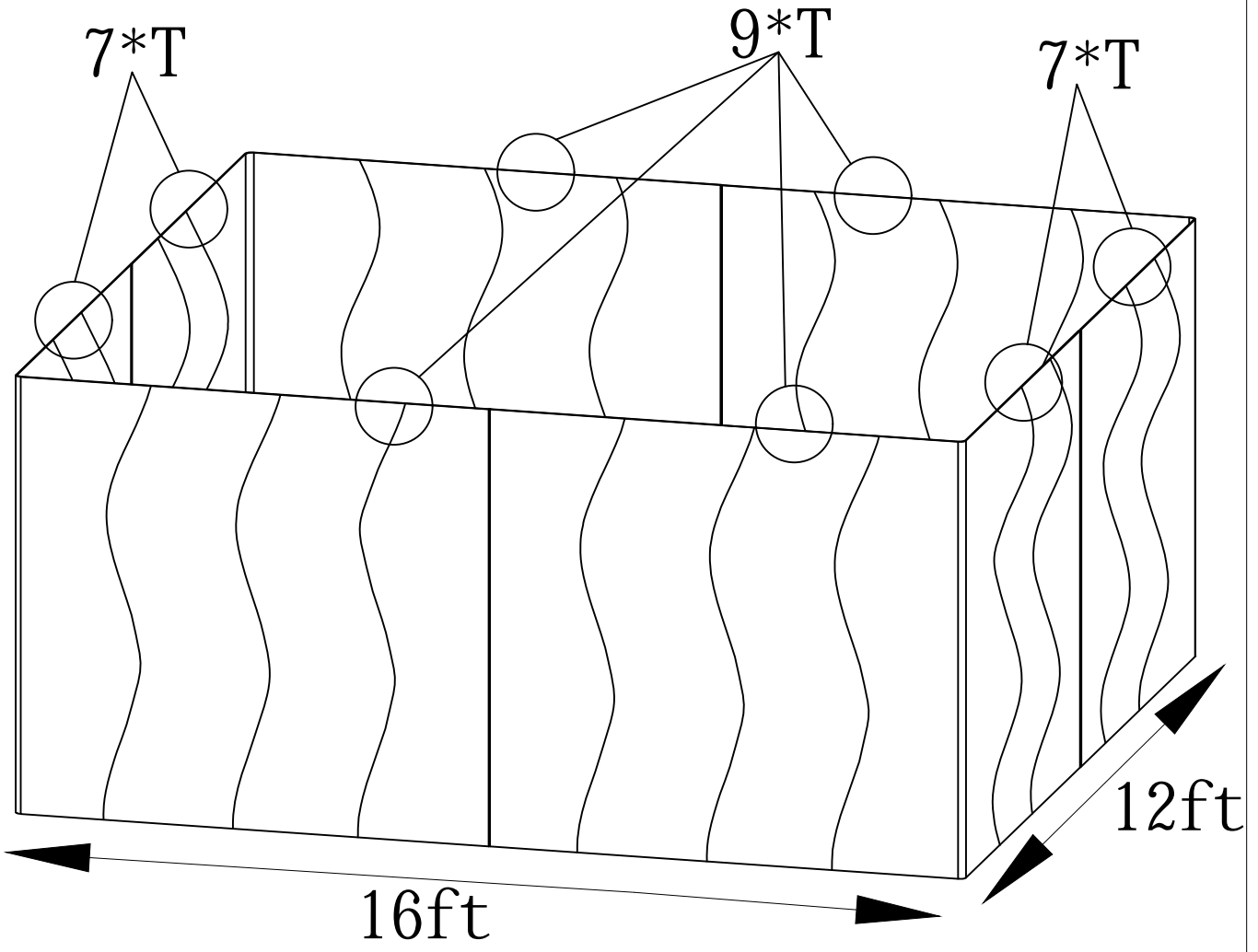
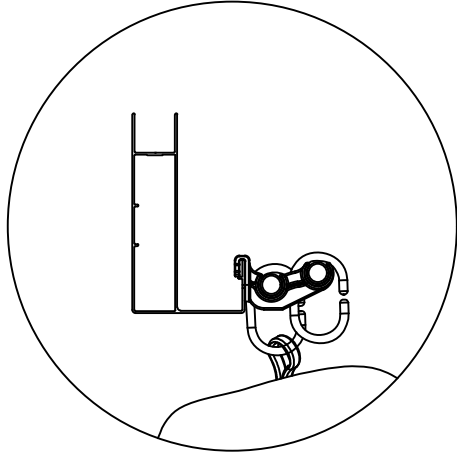
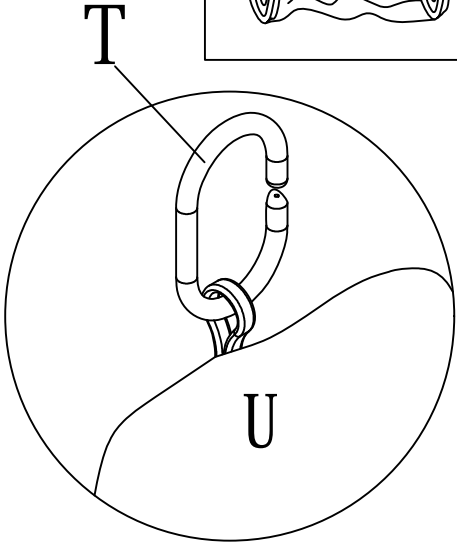
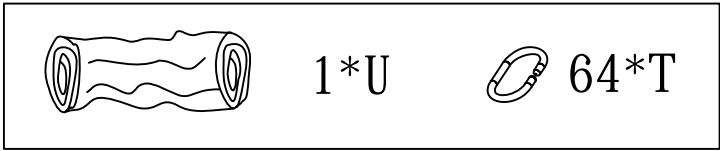
The privacy screen is on the outside,
while the netting is on the inside.

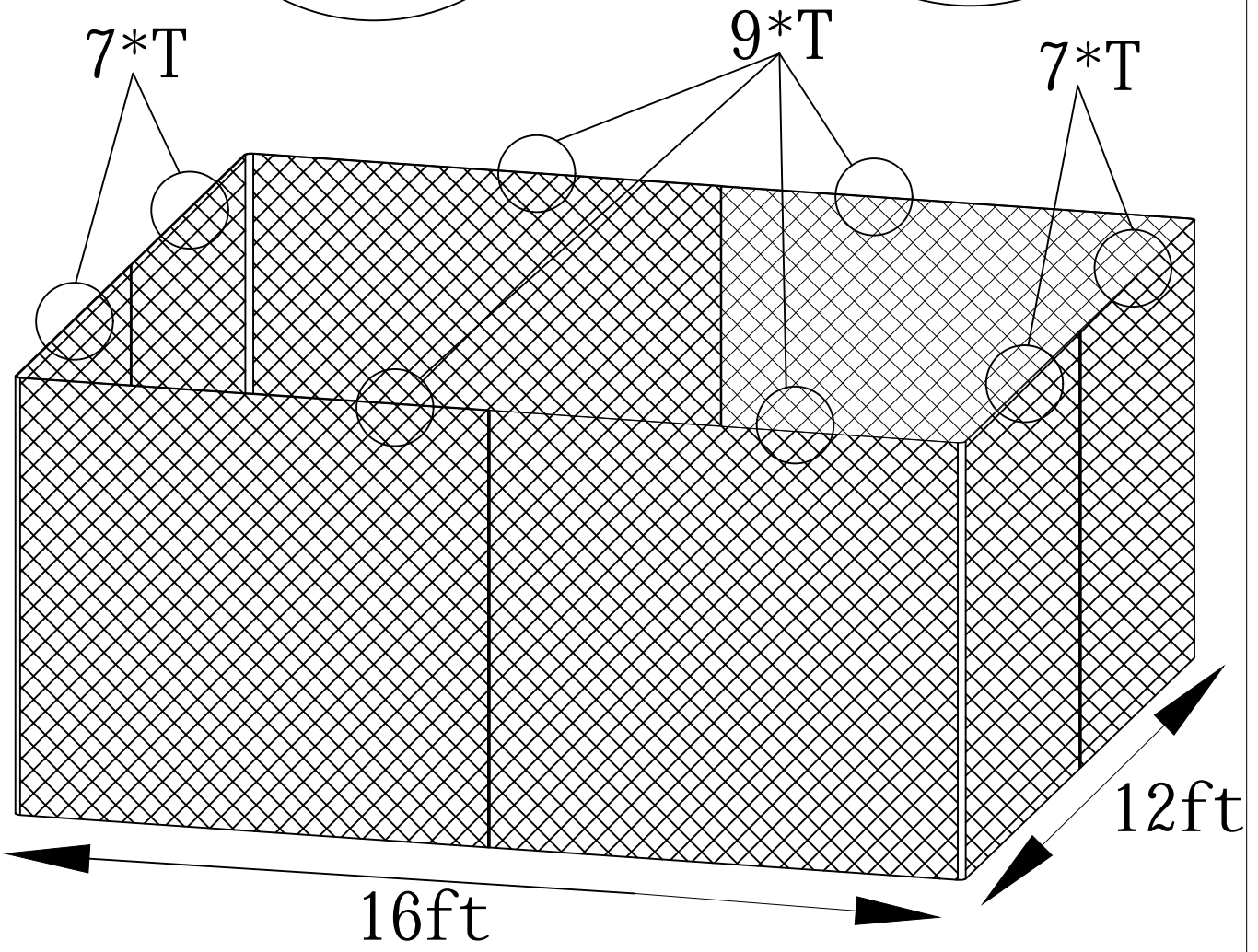
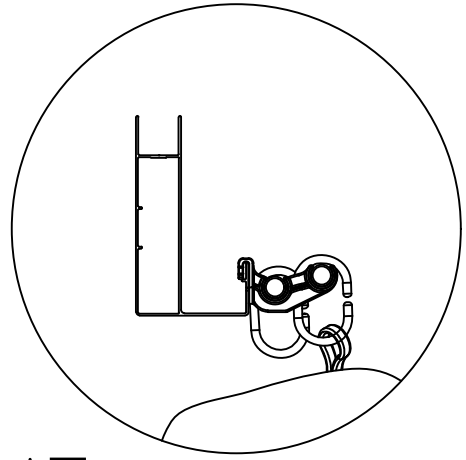
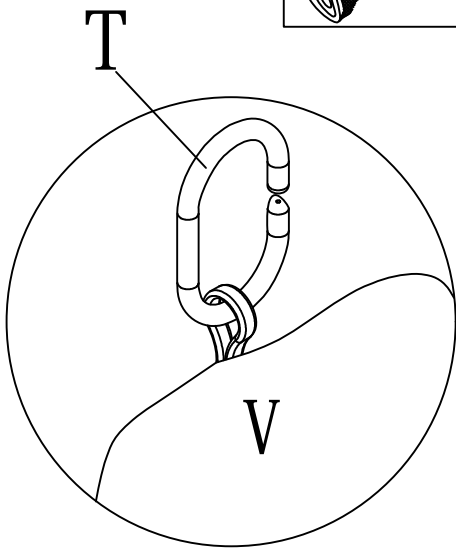
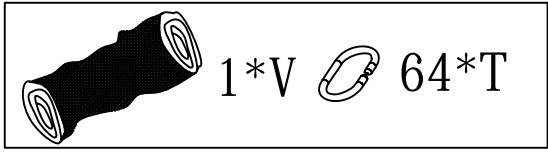
	8*R4		8*R2
	16*S		32*MM



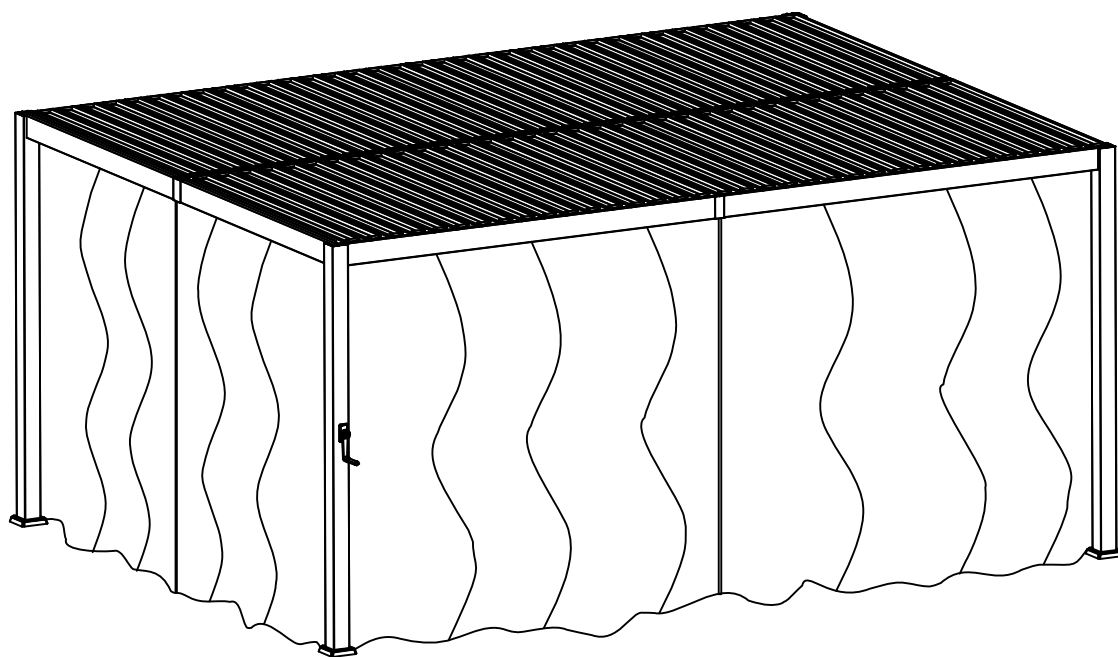
R2&R4







This product can withstand a snow accumulation of 15 centimeters and winds of up to level 8. In case of heavy snowfall, the top louvers should be opened to prevent excessive snow pressure.



AFTER-SALE

AFTER-SALE SERVICE

If you have any suggestions or encounter quality issues with our products, please contact us first.

Our after-sales team will respond within 24 hours, and we will do our best to provide a solution until you are satisfied.

GUARANTEED CUSTOMER SERVICE

Your shopping experience is very important to us!

If you feel unsatisfied or have any questions,
just contact us!

If you want to share how wonderful our smart product makes your home, **just contact us** and share your pictures!

For further information,
just contact us!



 service@kmcglobe-us.com

 (USA) +1 213-816-4788