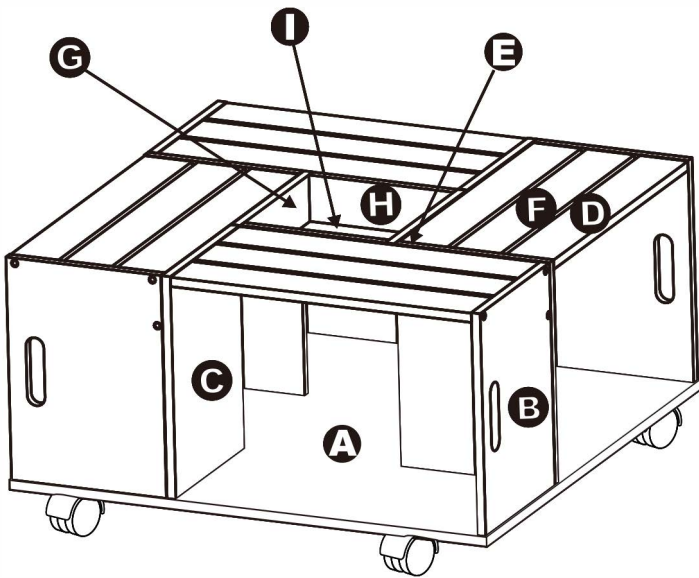


COFFEE TABLE

ASSEMBLY INSTRUCTIONS

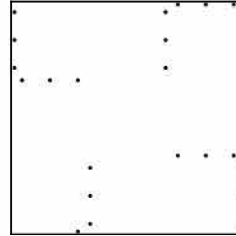
Please keep for future reference

PARTS LIST

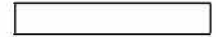


ITEM SIZE : 31.5" (W) X 31.5" (D) X 16.93" (H)

A 1PCS



F 4PCS



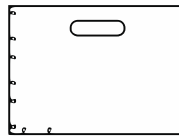
G 2PCS



H 2PCS



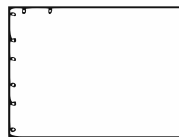
B 4PCS



I 1PCS



C 4PCS



D 8PCS



E 4PCS



HARDWARE LIST

① 40PCS



② 48PCS



③ 8PCS



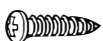
④ 4PCS



⑤ 5PCS



⑥ 20SET



⑦ 1SET



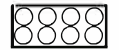
⑧ 1PCS



⑨ 8PCS

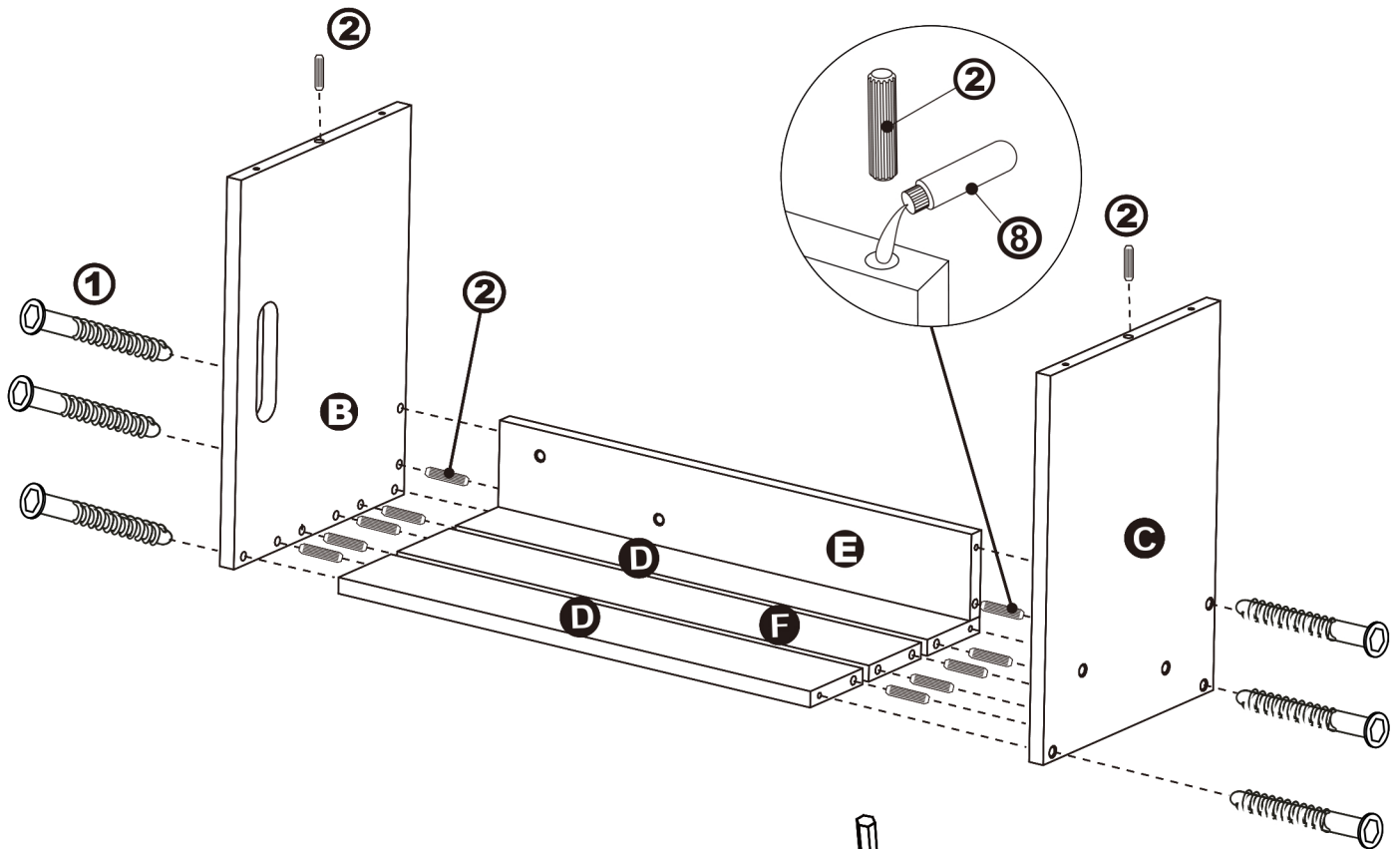


⑩



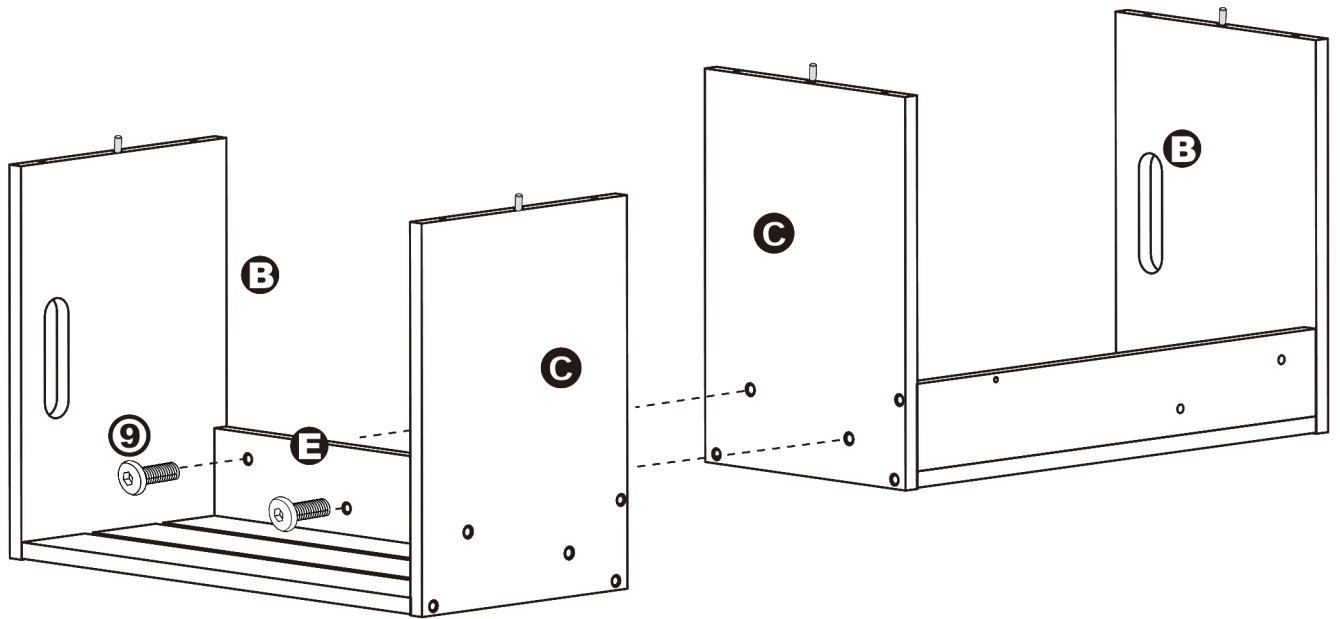
STEP : 1

insert wood dowel to panel
before attach panel and fasten screw up

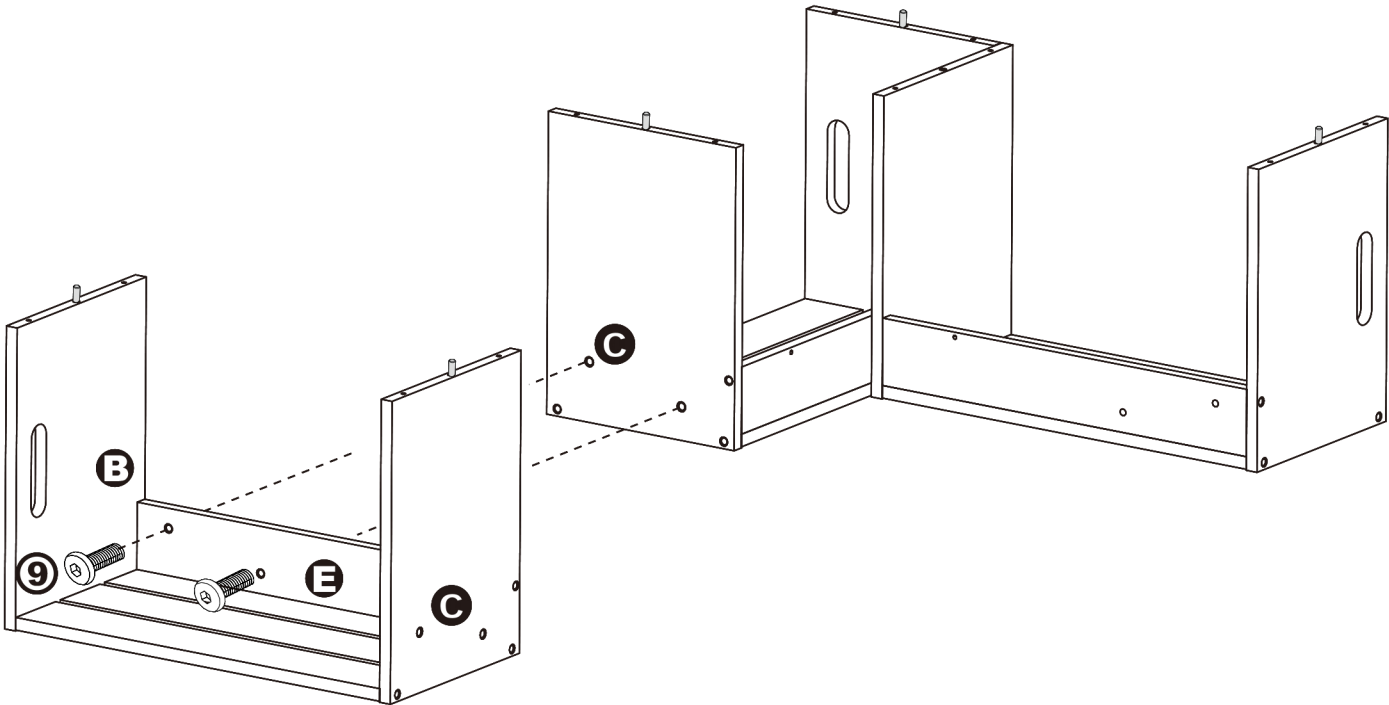


STEP : 2

use (7) allen key to fasten
screws

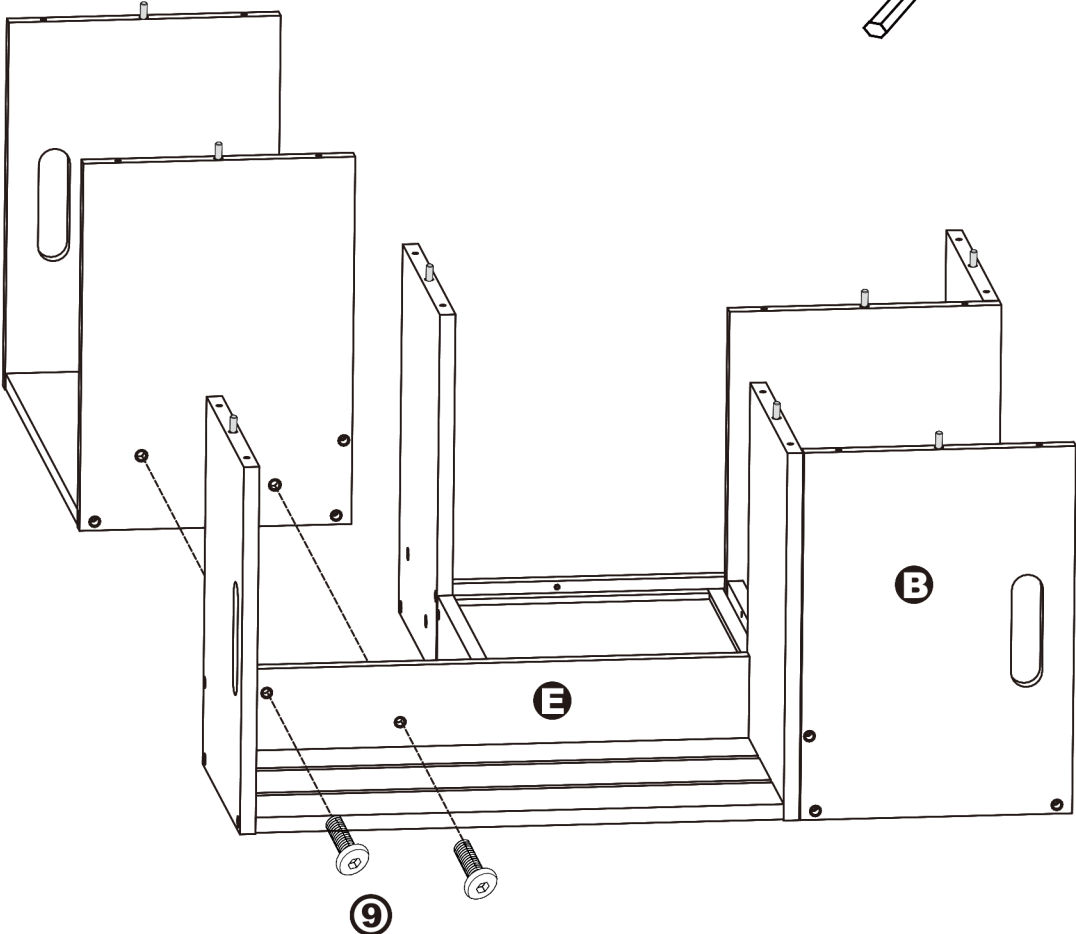


STEP : 3



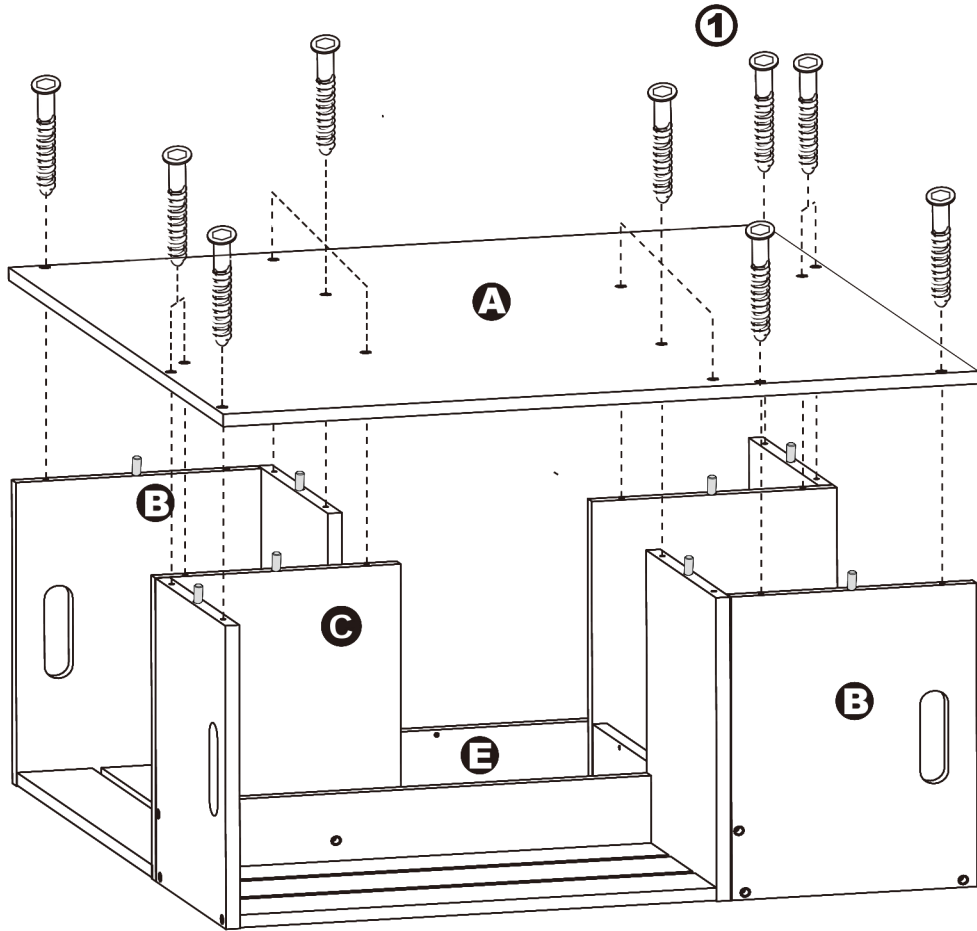
STEP : 4

use ⑦ allen key to fasten screws



STEP : 5

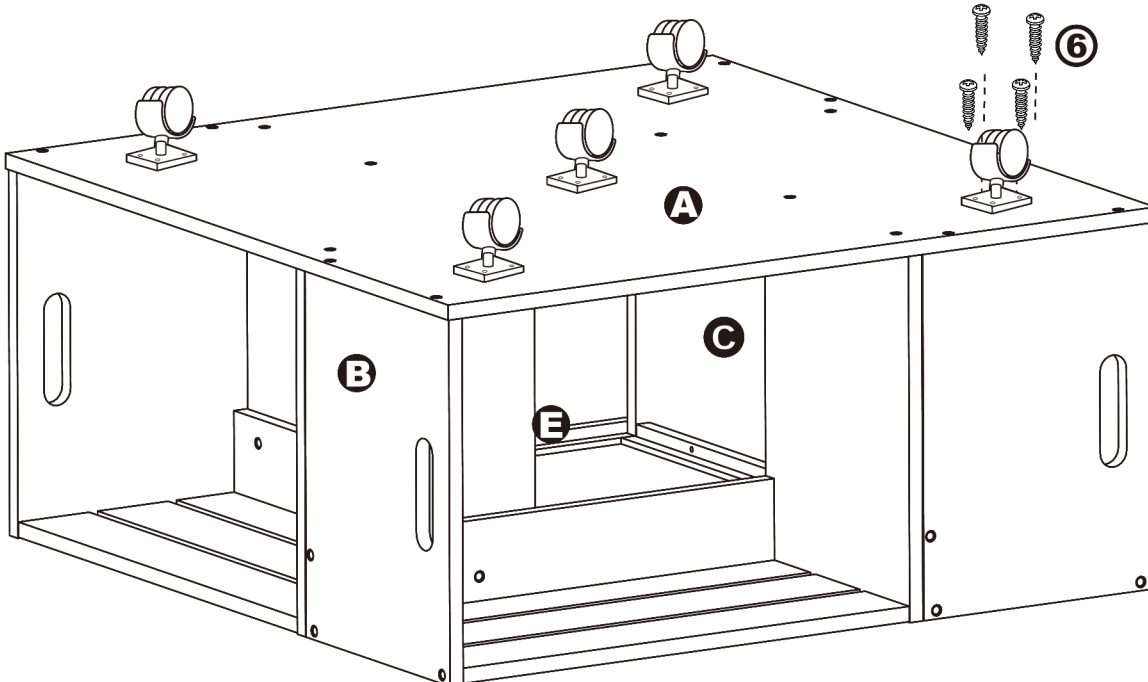
use ⑦ allen key to fasten screws



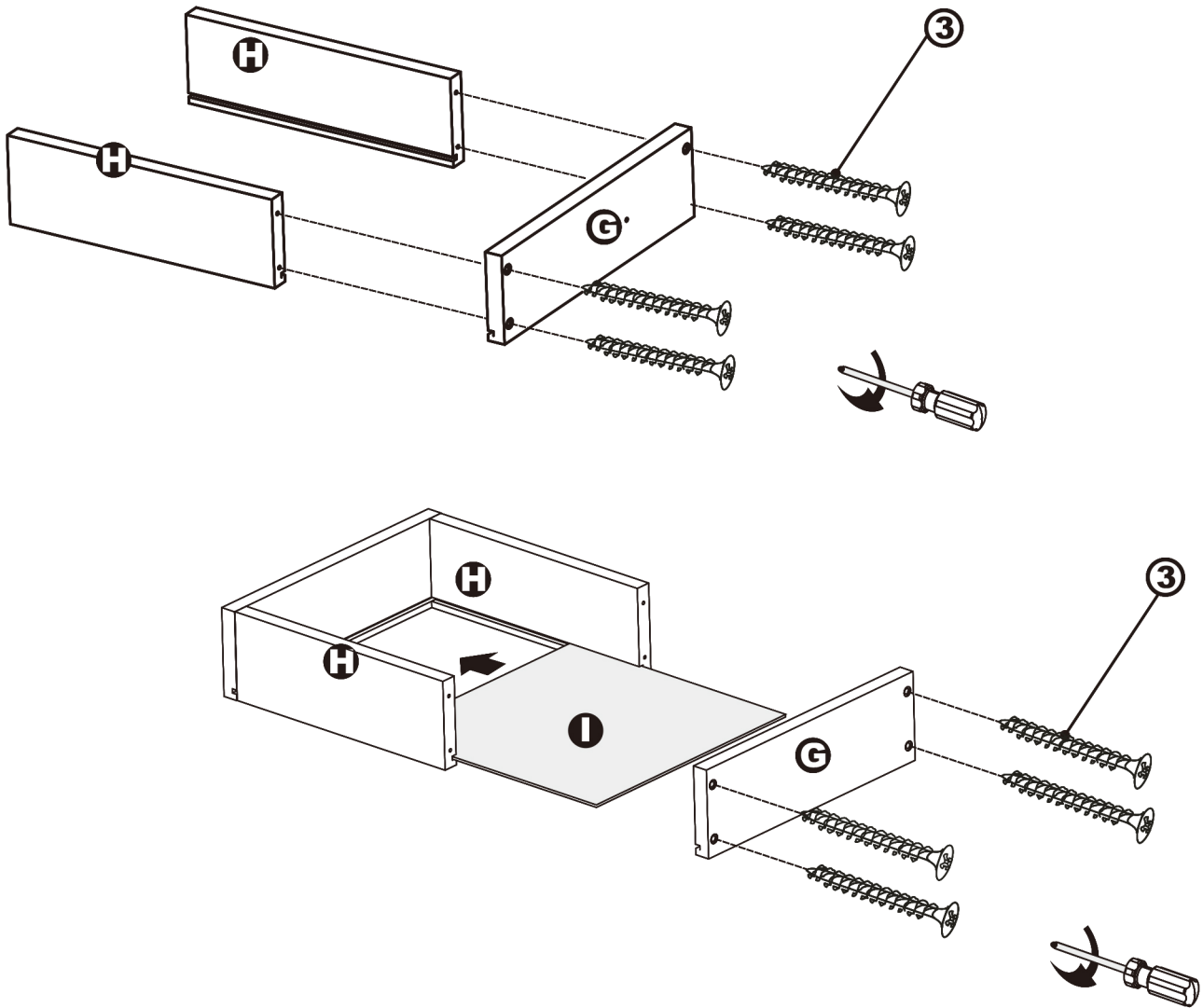
STEP : 6



ask someone to upside down table



STEP : 7



STEP : 8

Apply stickers onto the holes.

