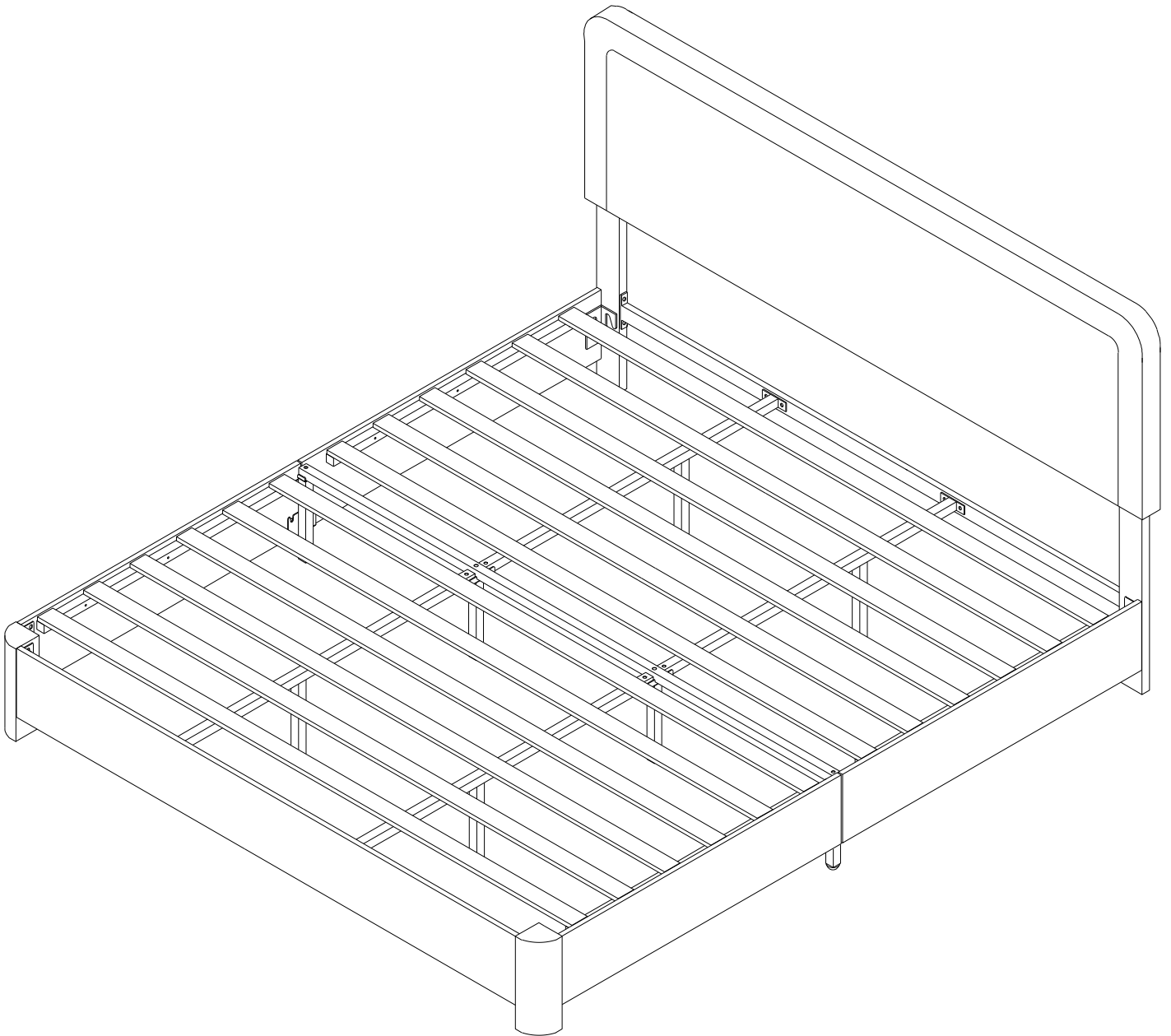


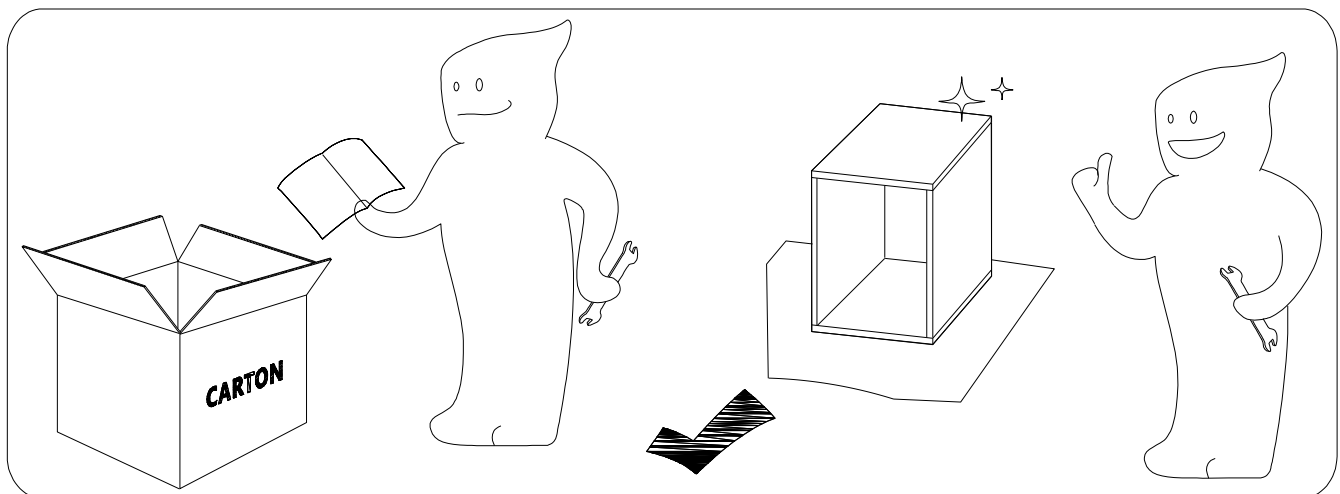
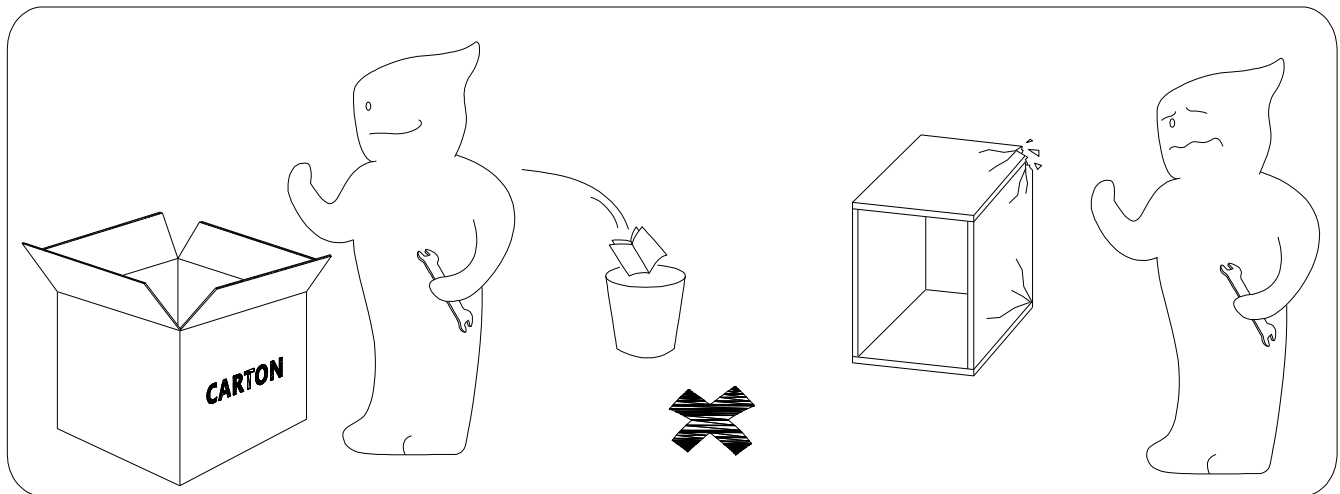
# Upholstered Platform Bed





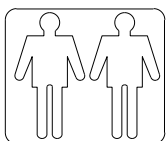
# IMPORTANT

Please follow the instruction manuals and use a pad to protect the product during your assembly.

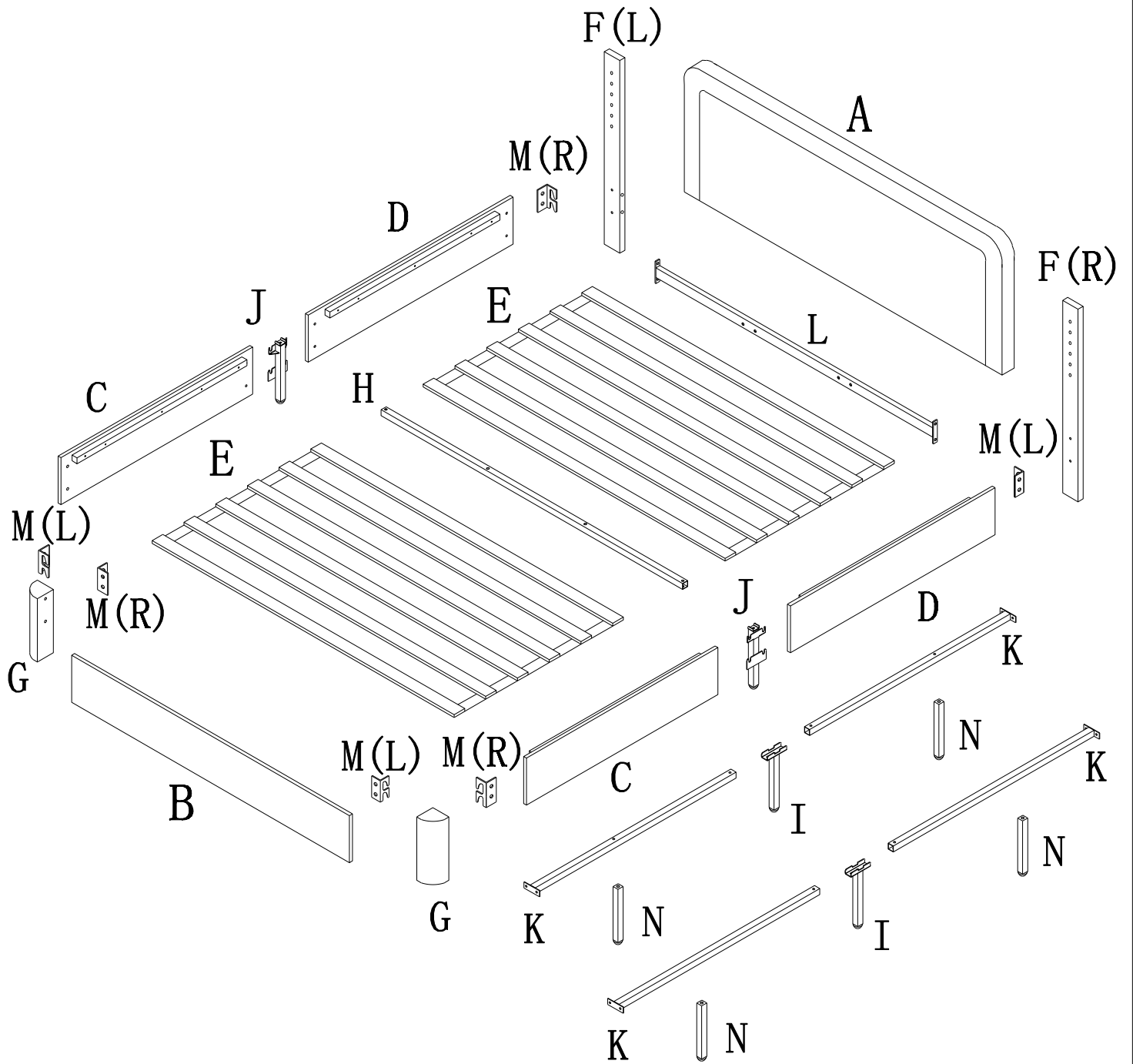


**Note:**

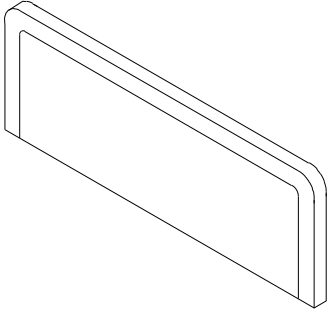
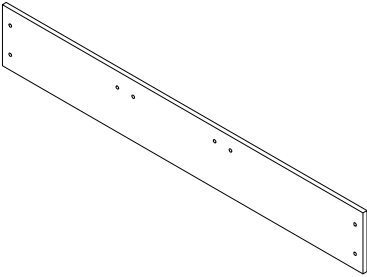
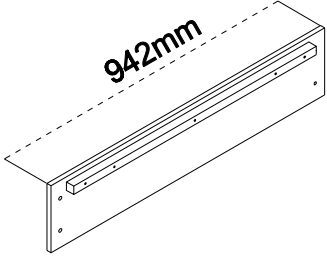
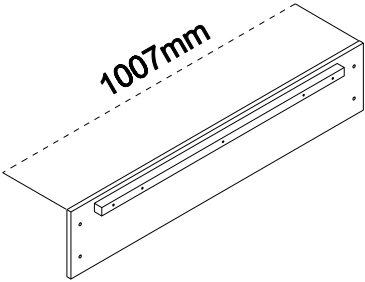
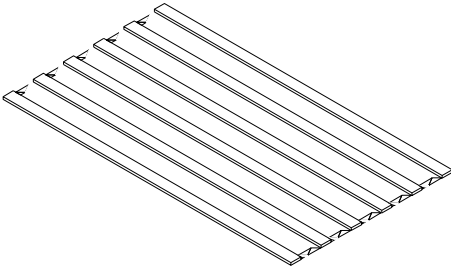



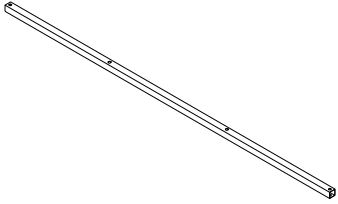
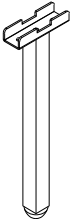
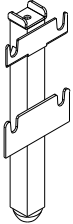
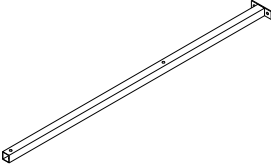
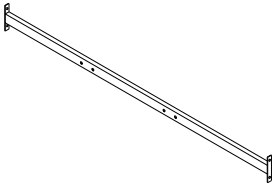
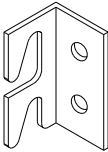
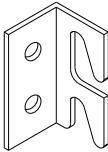

1. Should be assembled on flat ground to keep balance.
2. Before completing the installation, do not tighten the screws.



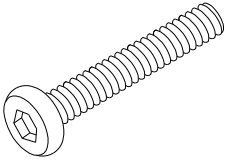
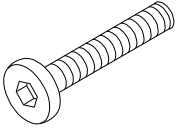
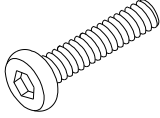

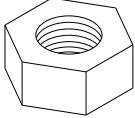

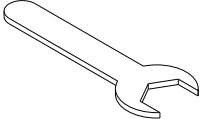
For easier and better assembly, 2 or more adults are required.



# Part list

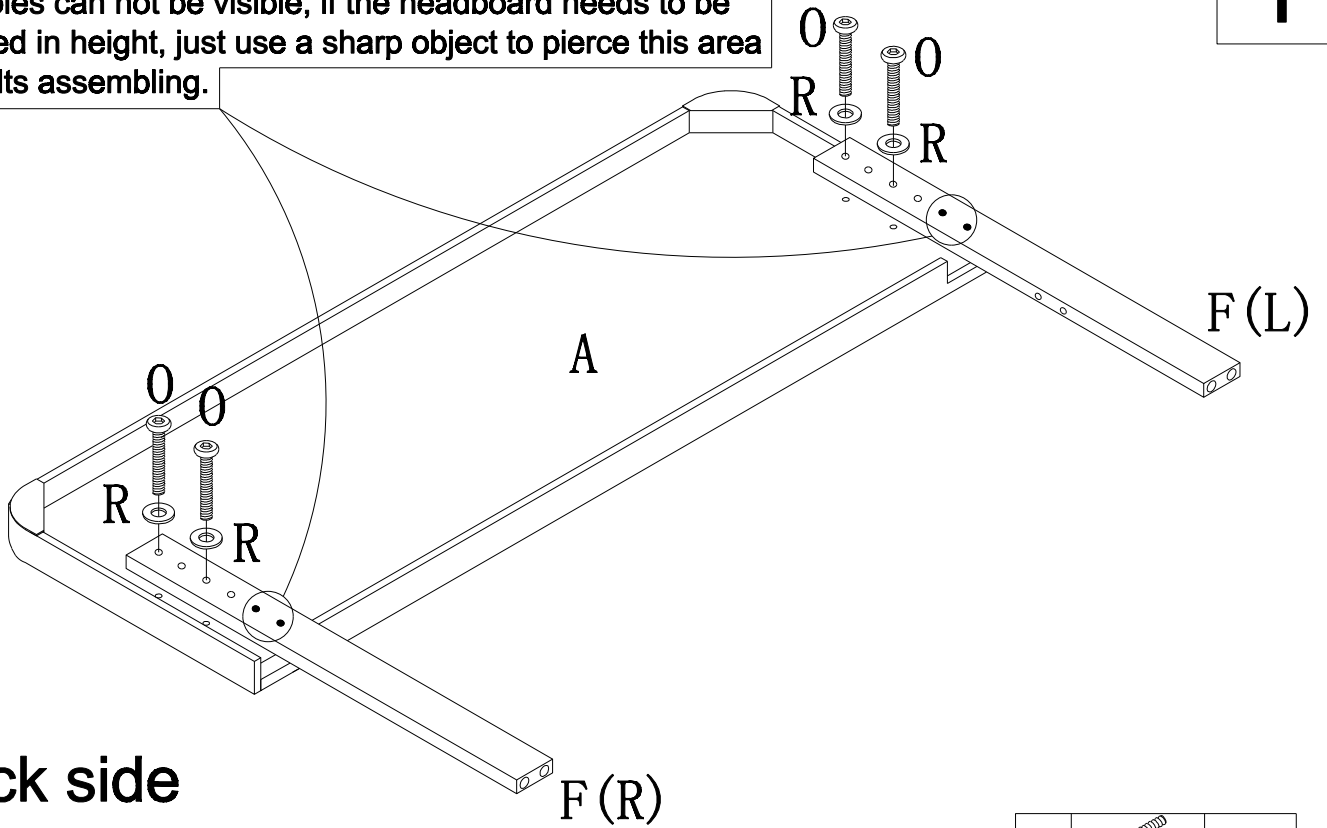
|   |  |  |
|---|--|--|
| <b>A</b> 1PC<br>       | <b>B</b> 1PC<br>        | <b>C</b> 2PCS<br>       |
| <b>D</b> 2PCS<br>       | <b>E</b> 2PCS<br>      | <b>F (L)</b> 1PCS<br>   |
| <b>F (R)</b> 1PCS<br> | <b>G</b> 2PCS<br>      | <b>H</b> 1PC<br>       |
| <b>I</b> 2PC<br>     | <b>J</b> 2PCS<br>     | <b>K</b> 4PCS<br>     |
| <b>L</b> 1PC<br>     | <b>M (L)</b> 3PCS<br> | <b>M (R)</b> 3PCS<br> |
| <b>N</b> 4PCS<br>    |  |  |

# Hardware list

|   |  |  |
|---|--|--|
| O   | P  | Q  |
| 4PCS  | 28PCS  | 28PCS  |
| <br>M8*55mm  | <br>M8*35mm | <br>M8*20mm |
| R   | S  | T  |
| 64PCS   | 4PCS   | 1PCS   |
| <br>Ø19*Ø8.5 | <br>M8      | <br>M8      |
| U   |  |  |
| 1PC   |  |  |
| <br>M8     |  |  |

1



the holes can not be visible, if the headboard needs to be lowered in height, just use a sharp object to pierce this area for bolts assembling.



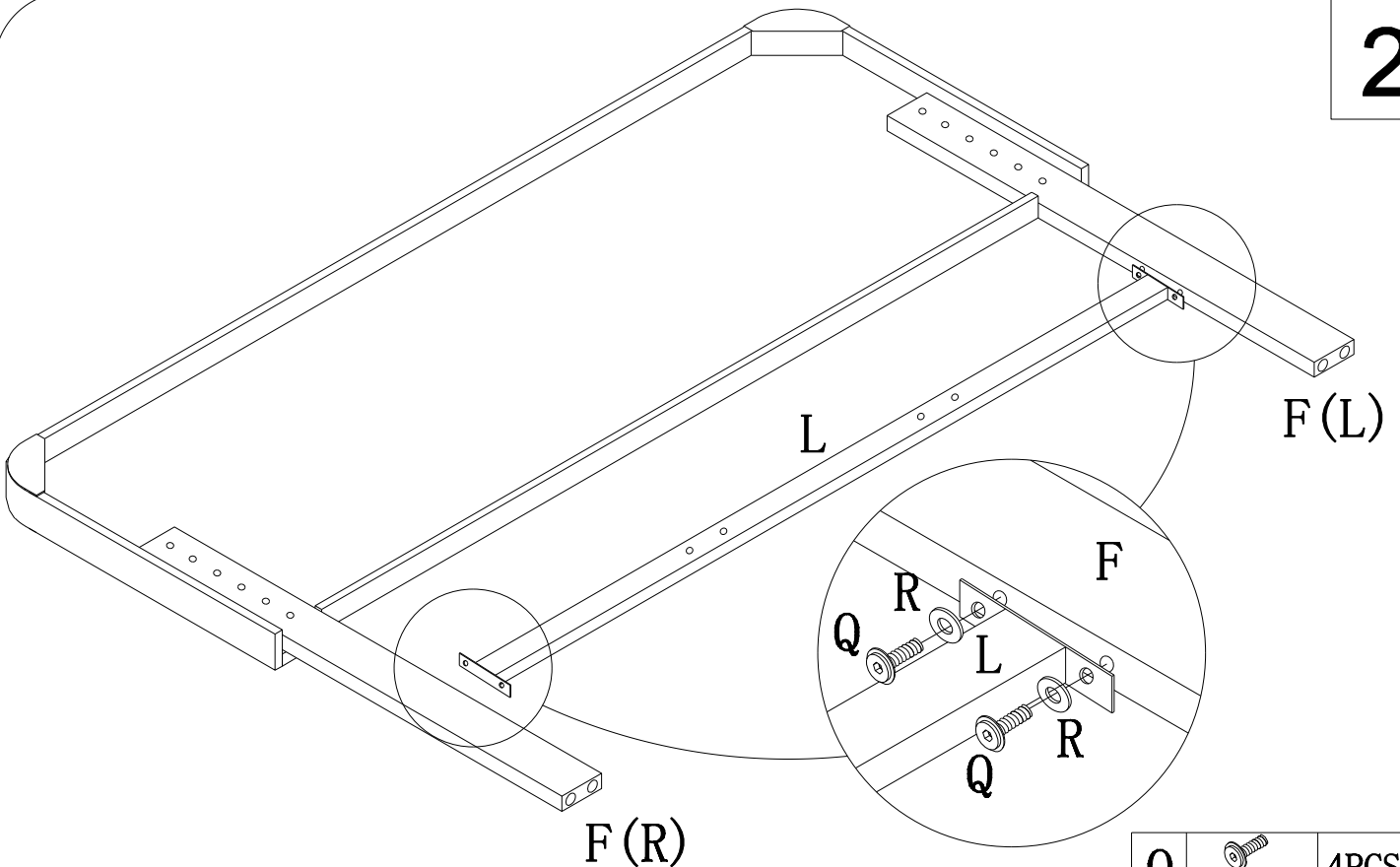
### Back side

Headboard height is adjustable



**NOTE:**Please do not completely tighten all the hardware until the entire assembly is complete!

|   |   |      |
|---|---|------|
| O |  M8*55mm   | 4PCS |
| R |  Ø19*Ø8.5 | 4PCS |

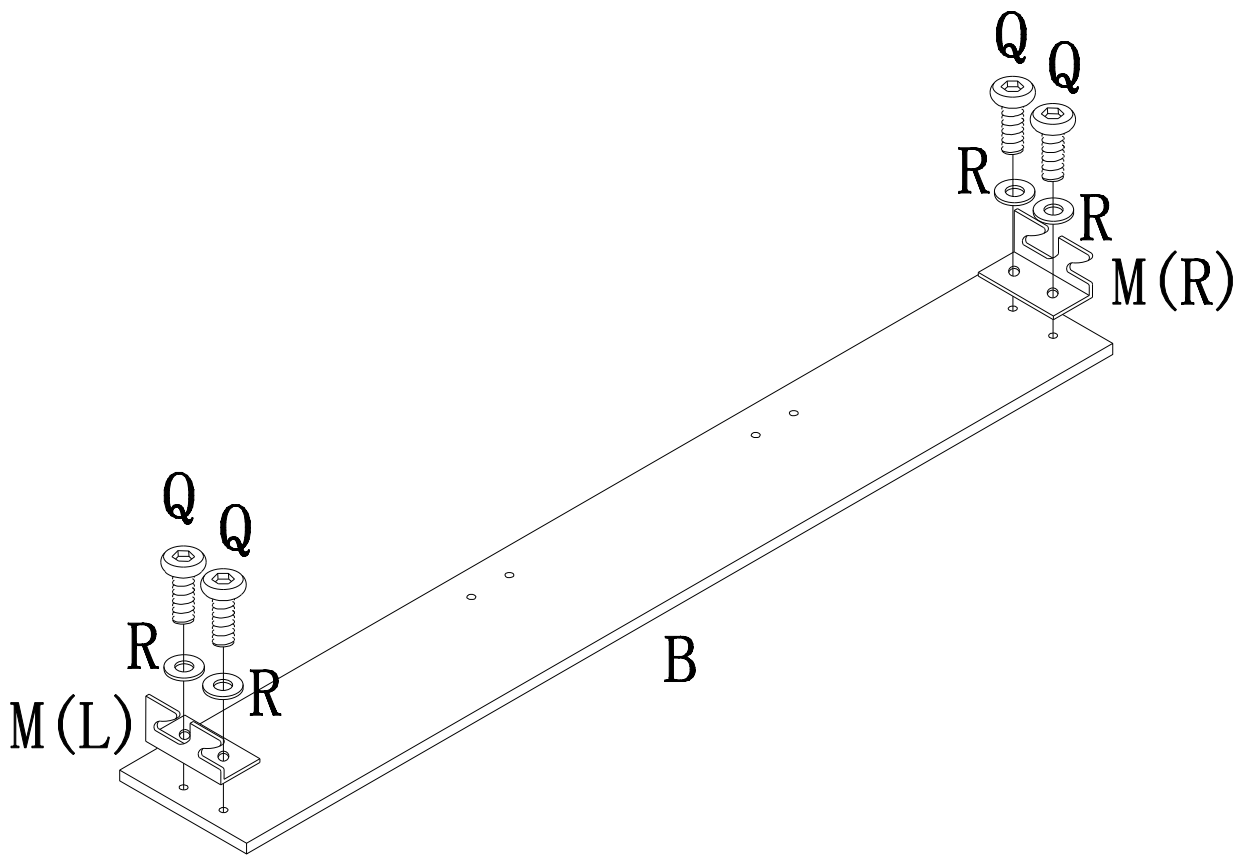
2





### Back side

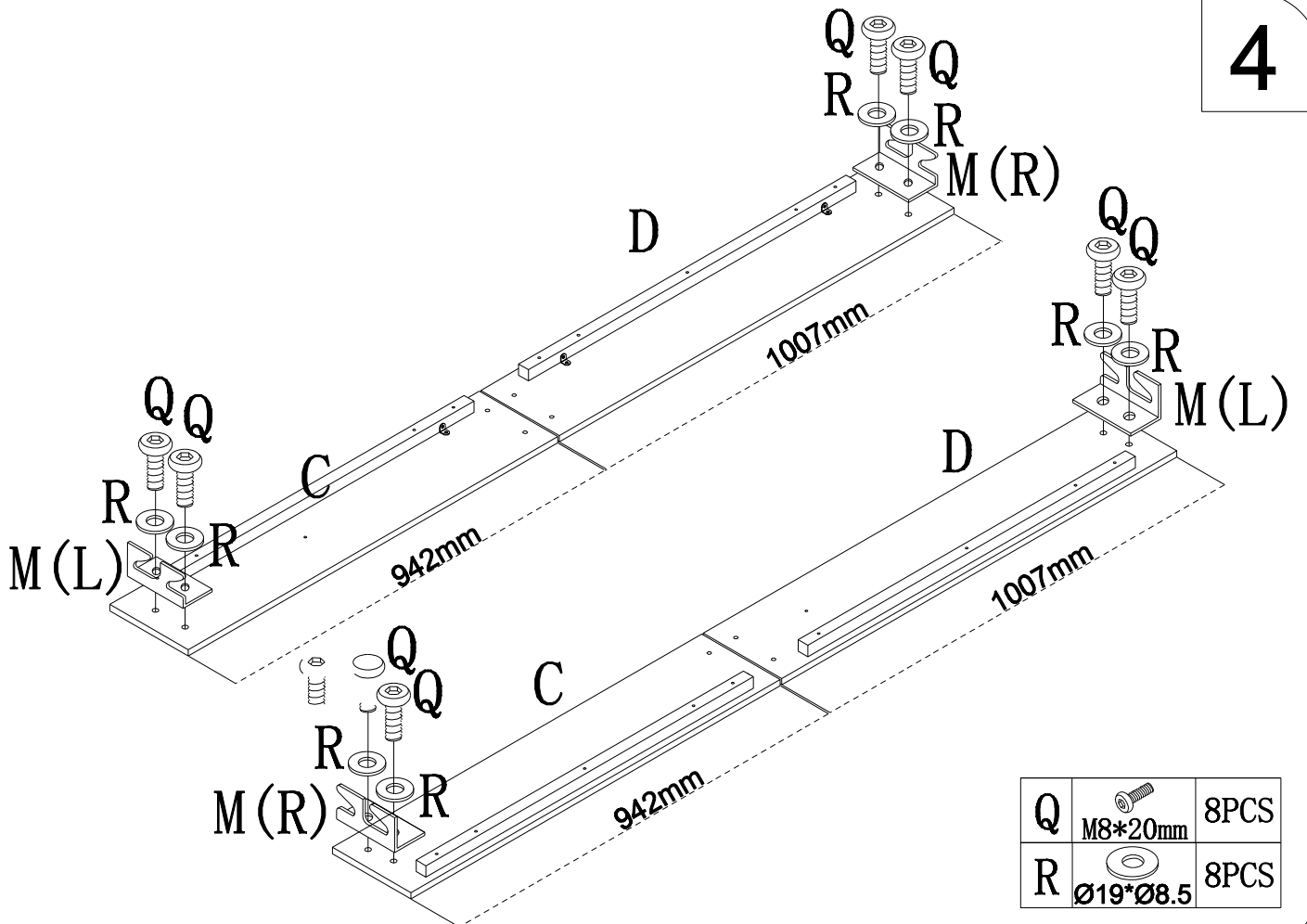
|   |  |      |
|---|--|------|
| Q |  M8*20mm  | 4PCS |
| R |  Ø19*Ø8.5 | 4PCS |



3



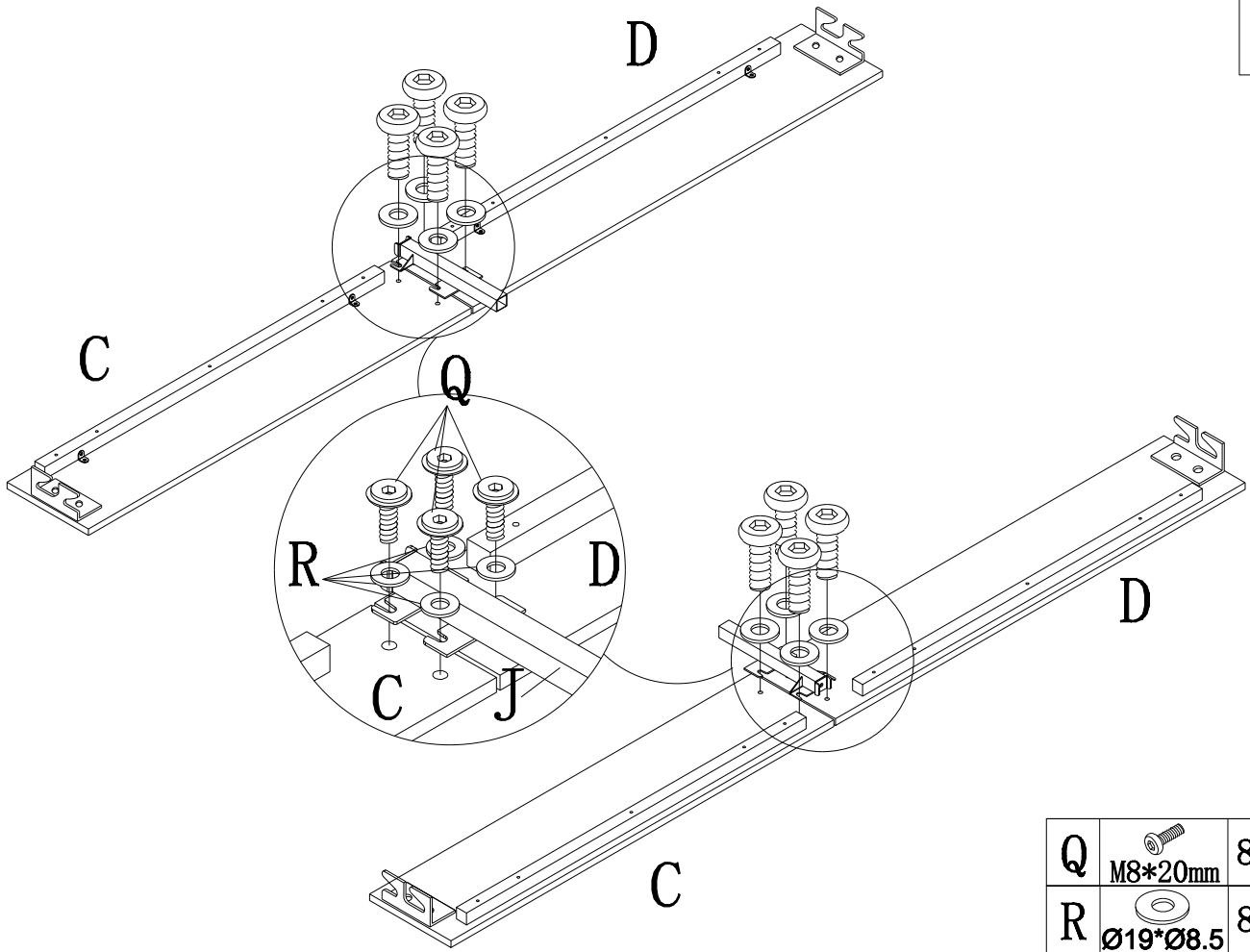
|   |   |      |
|---|---|------|
| Q |  M8*20mm   | 4PCS |
| R |  Ø19*Ø8.5 | 4PCS |

4

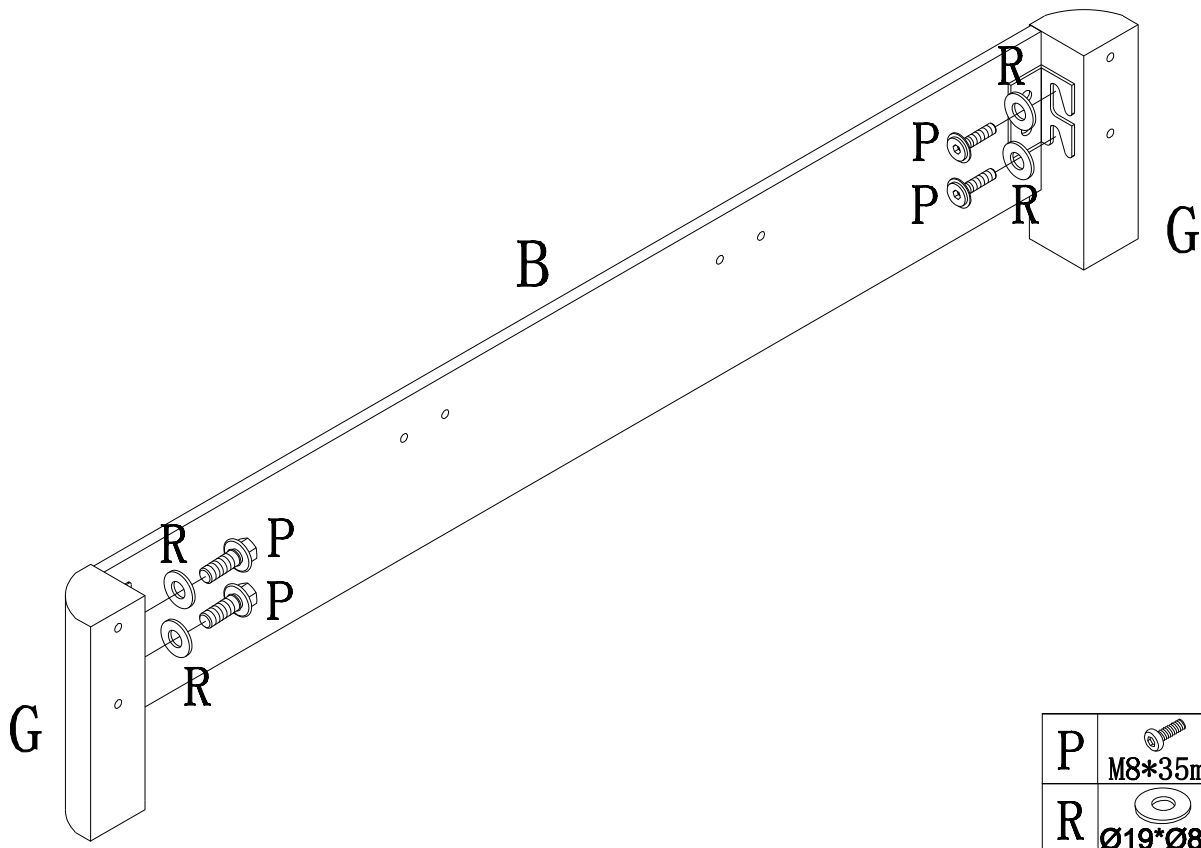


|   |  |      |
|---|--|------|
| Q |  M8*20mm  | 8PCS |
| R |  Ø19*Ø8.5 | 8PCS |

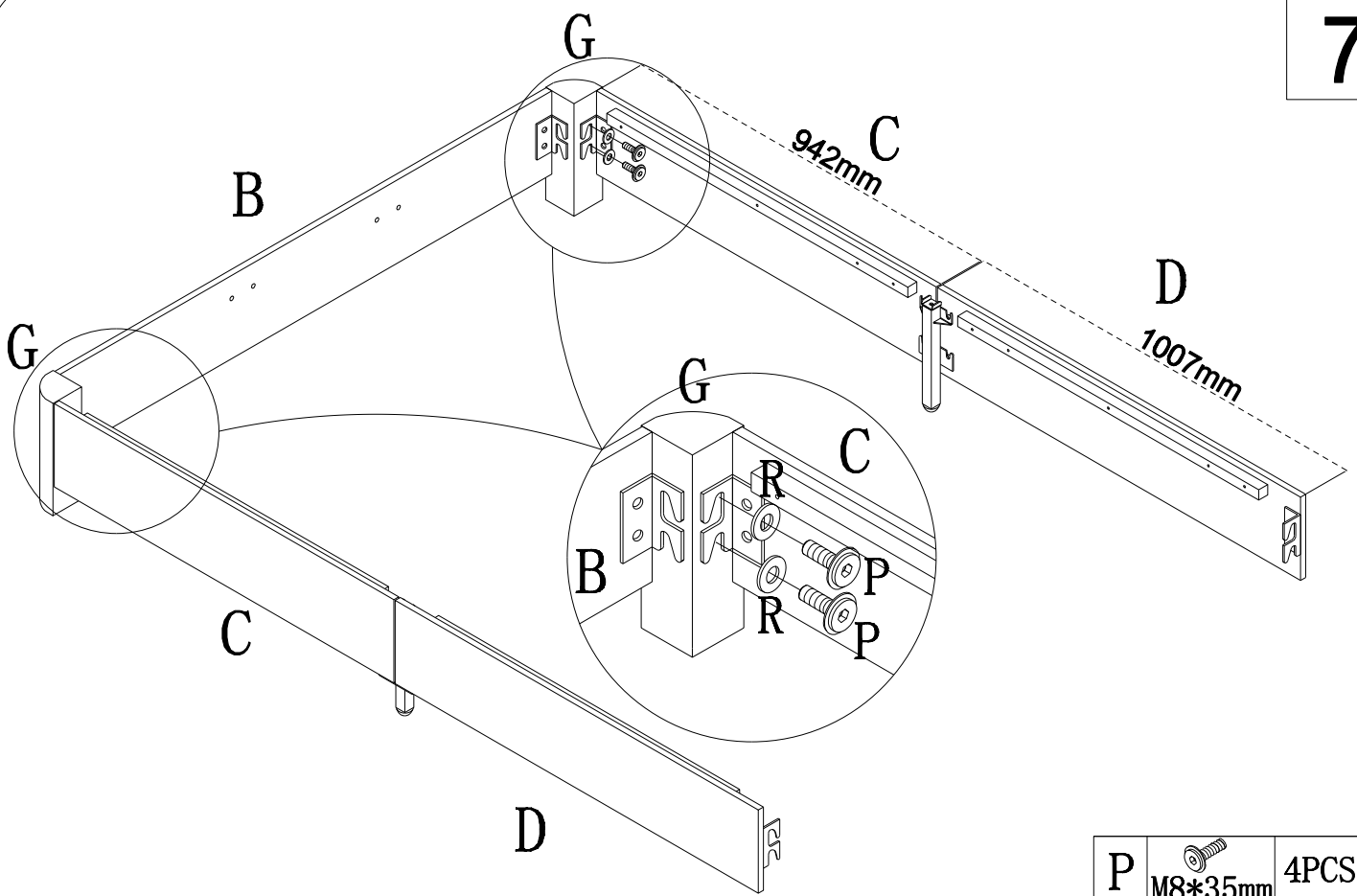
5





6

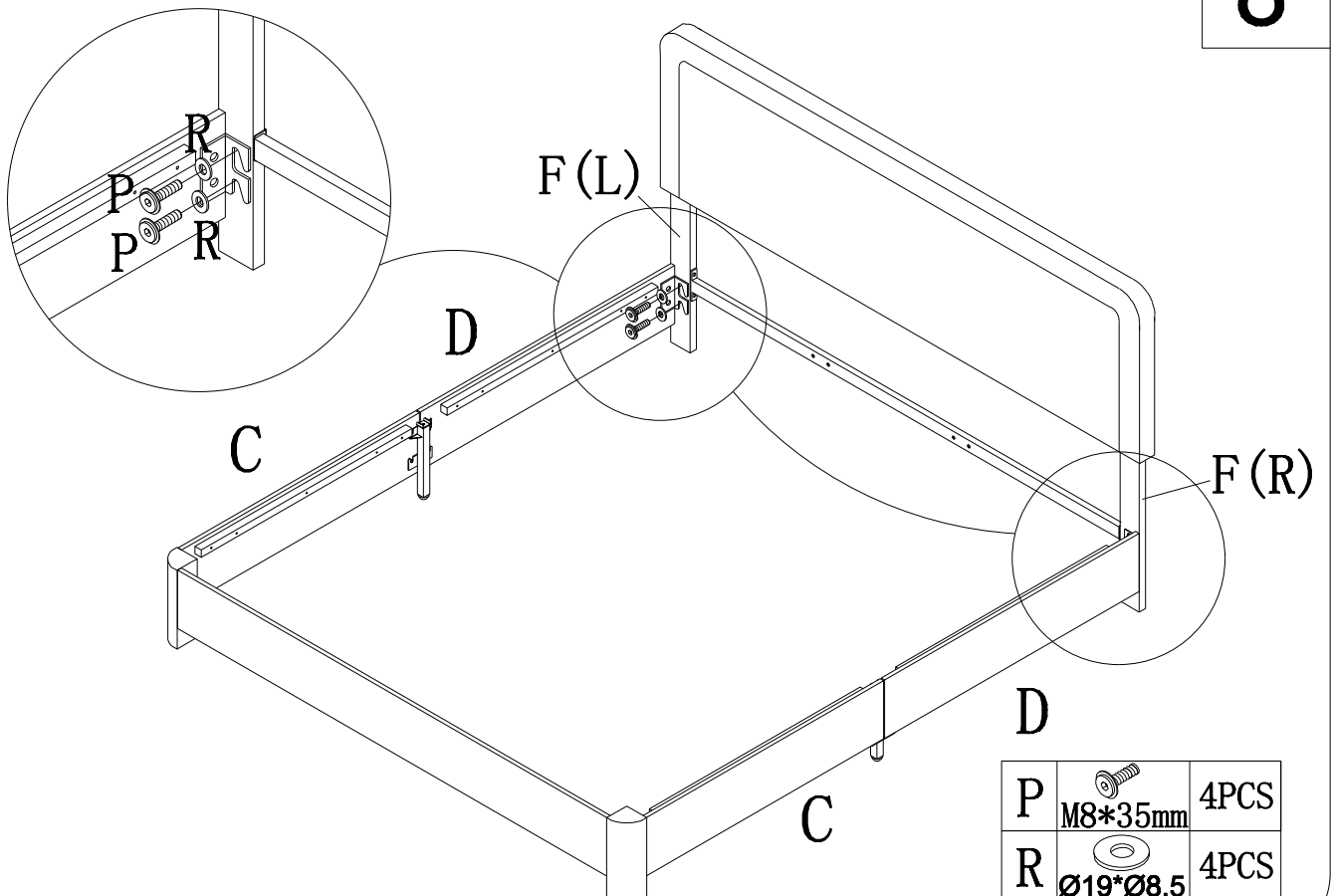




7

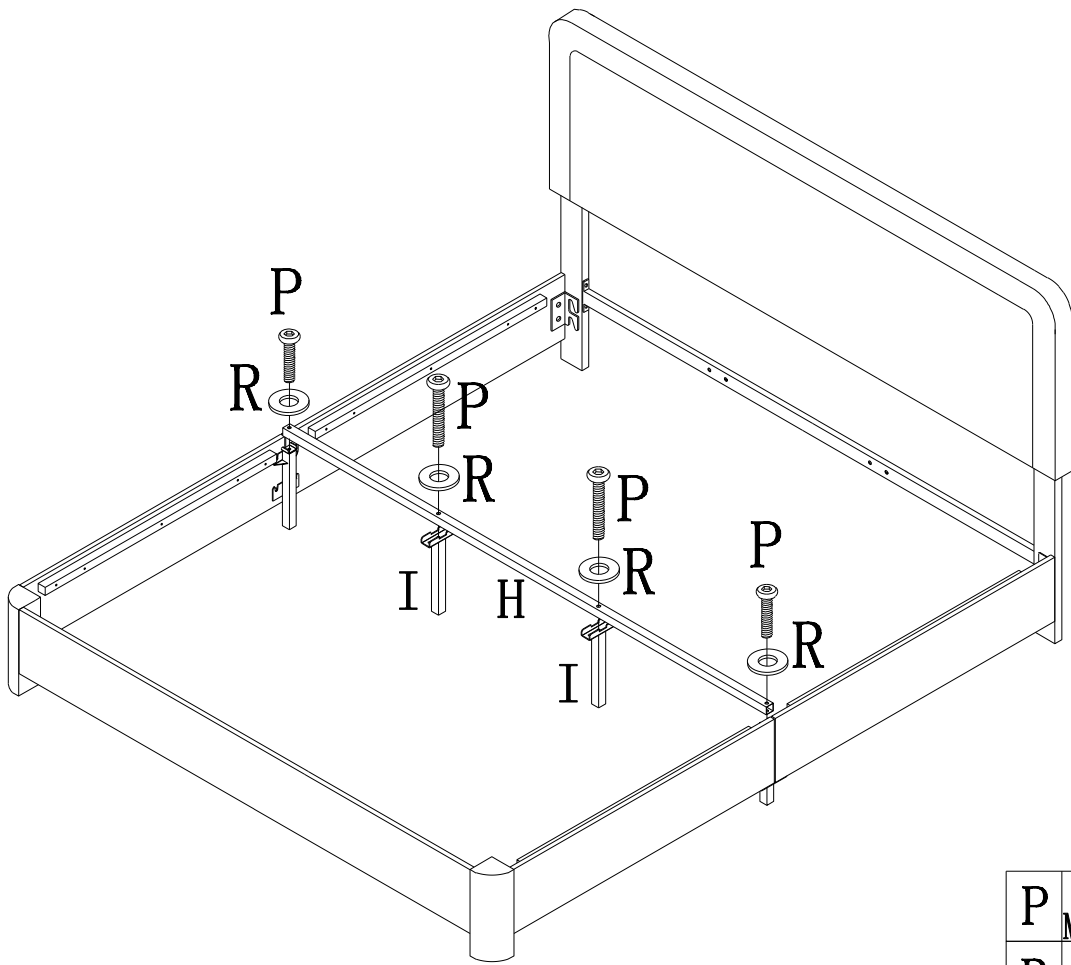




|   |   |      |
|---|---|------|
| P |  M8*35mm   | 4PCS |
| R |  Ø19*Ø8.5 | 4PCS |

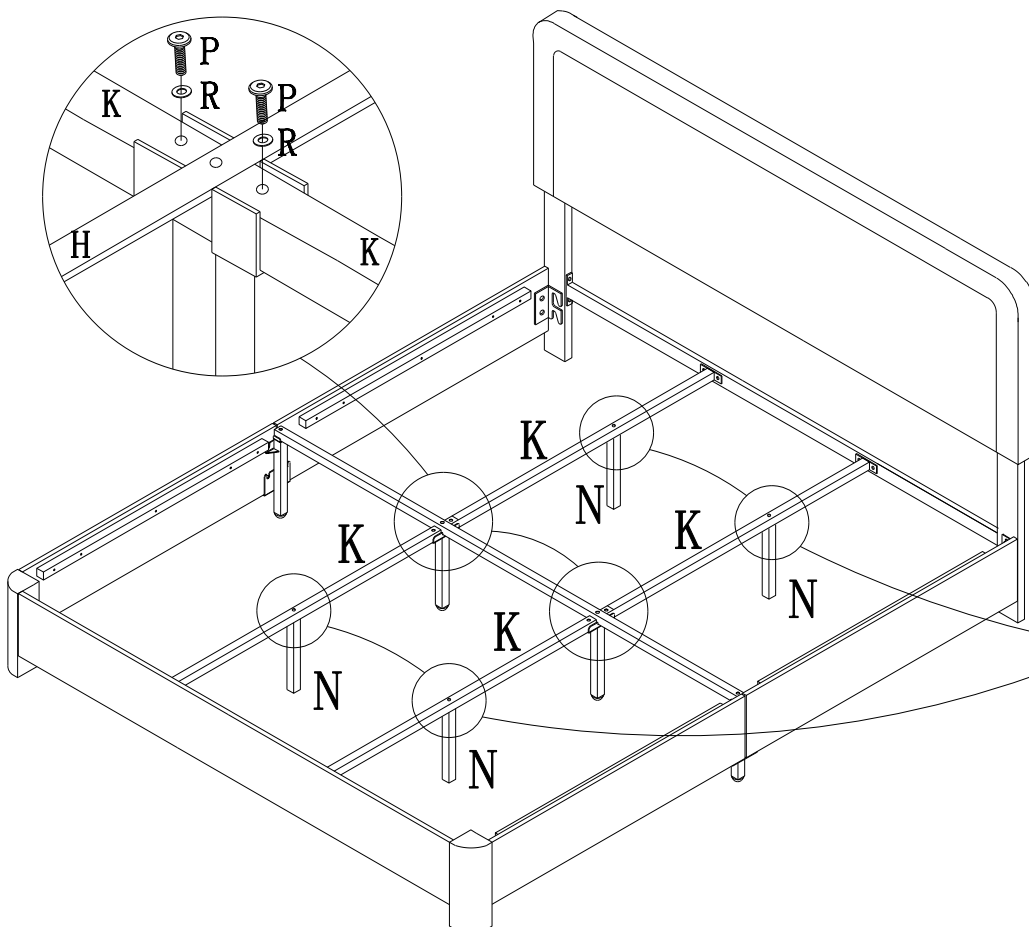
8





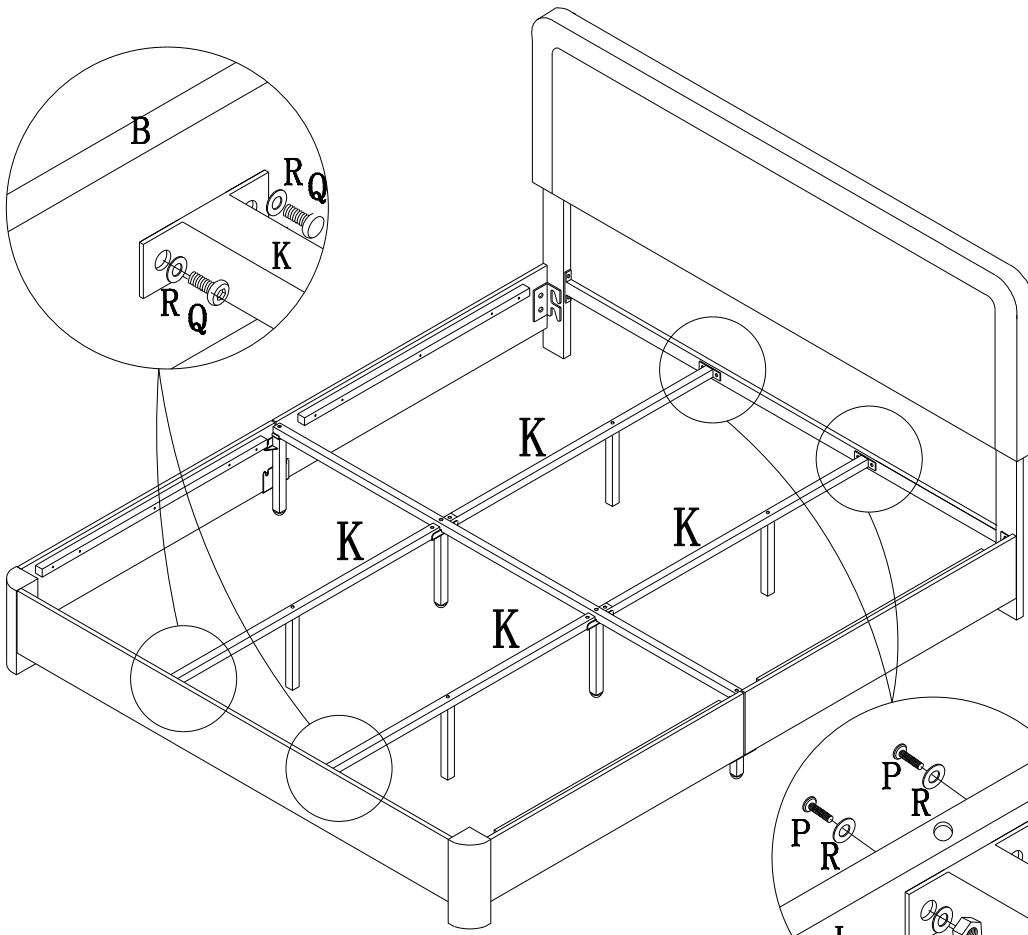
|   |  |      |
|---|--|------|
| P |  M8*35mm  | 4PCS |
| R |  Ø19*Ø8.5 | 4PCS |



|   |   |      |
|---|---|------|
| P |  M8*35mm   | 4PCS |
| R |  Ø19*Ø8.5 | 4PCS |



|   |  |      |
|---|--|------|
| P |  M8*35mm  | 8PC  |
| R |  Ø19*Ø8.5 | 8PCS |



|   |          |       |
|---|----------|-------|
| P | M8*35mm  | 4PC   |
| Q | M8*20mm  | 4PC   |
| S |          | 4PCS  |
| R | Ø19*Ø8.5 | 12PCS |

