

13-Light Cluster Opal Glass Globe Chandelier

Caution: Please turn off power before installation and read the manual carefully, we advise you contact professional electricians to install for safety purpose.

Product Features

Style: Mid-Century/Contemporary/Modern

Material: Metal, Glass

Base Type: E12

Light Source Included: No

Voltage: 110VAC

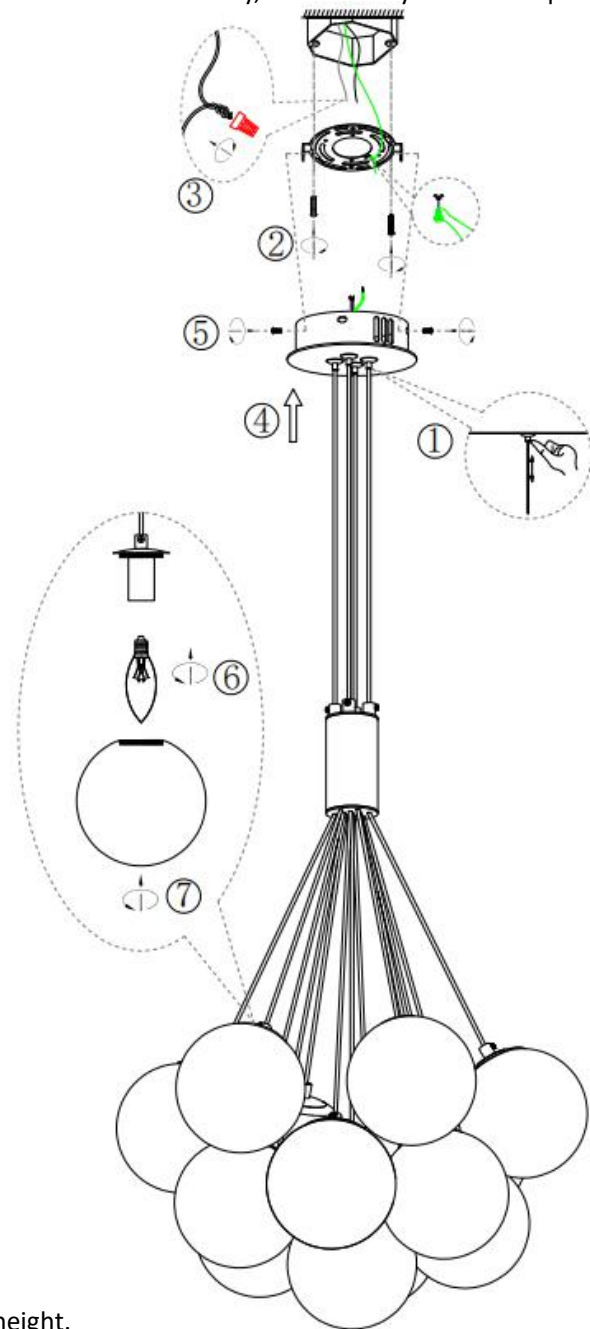
Wattage: 40W

Package includes

1 x Chandelier

1 x Accessory Pack

1 x User's Manual



Installation Instructions

1. Press the cable barrel adjuster to modify the hanging cable height.
2. Attach the mounting plate to the junction box using screws.
3. Connect the fixture's live, neutral, and ground wires to the corresponding wires in the junction box, ensuring proper alignment.
- 4-5. Position the ceiling plate/canopy over the mounting plate and secure it tightly with screws.
6. Install the light bulb (bulb not included).
7. Twist the lampshade onto the lamp holder until securely fastened.

Note: Please use this product accordingly to its intended purpose, do not retrofit or remodeling the product. The warranty does not cover if the failure is caused by the third party product, or natural disasters.

Made in China