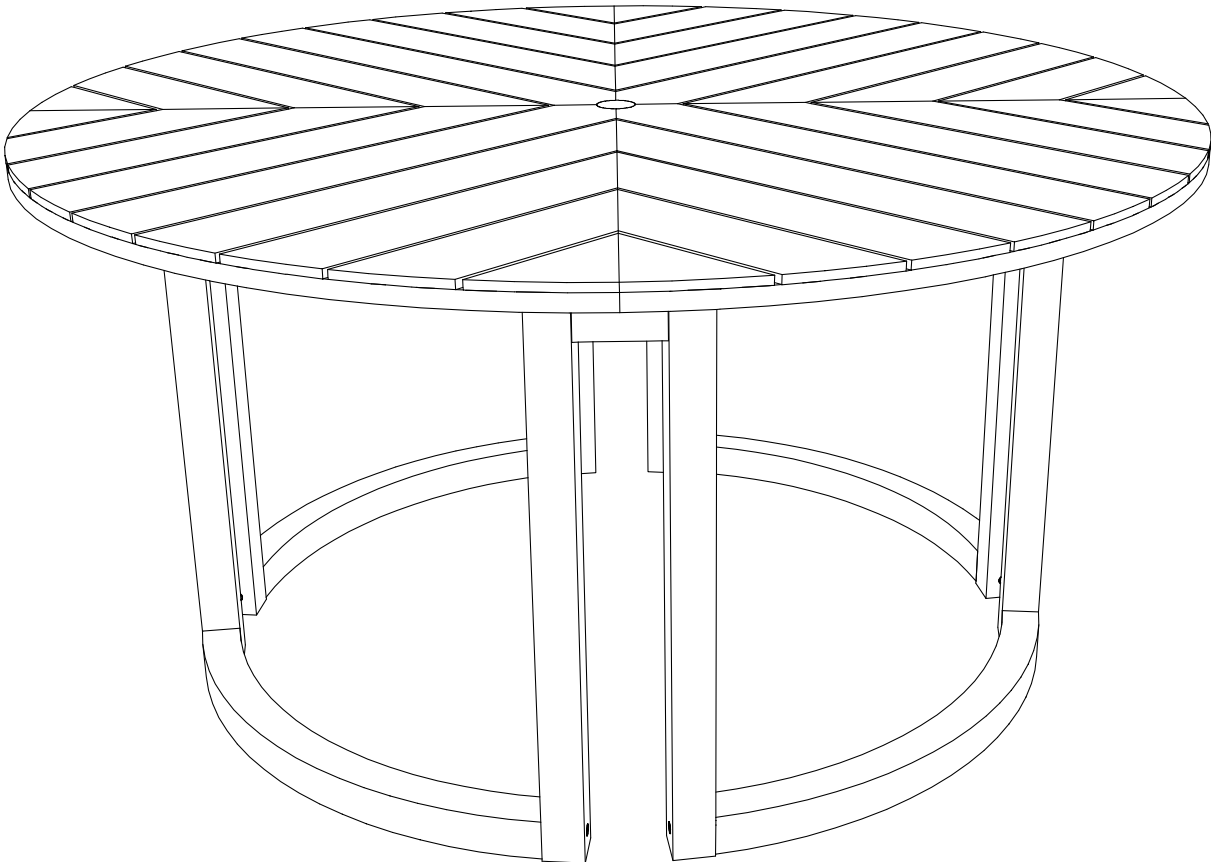











Outdoor Dining Table



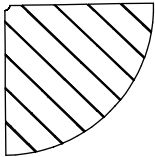
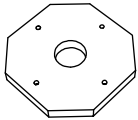
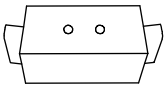
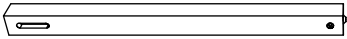


Please read all instructions carefully:

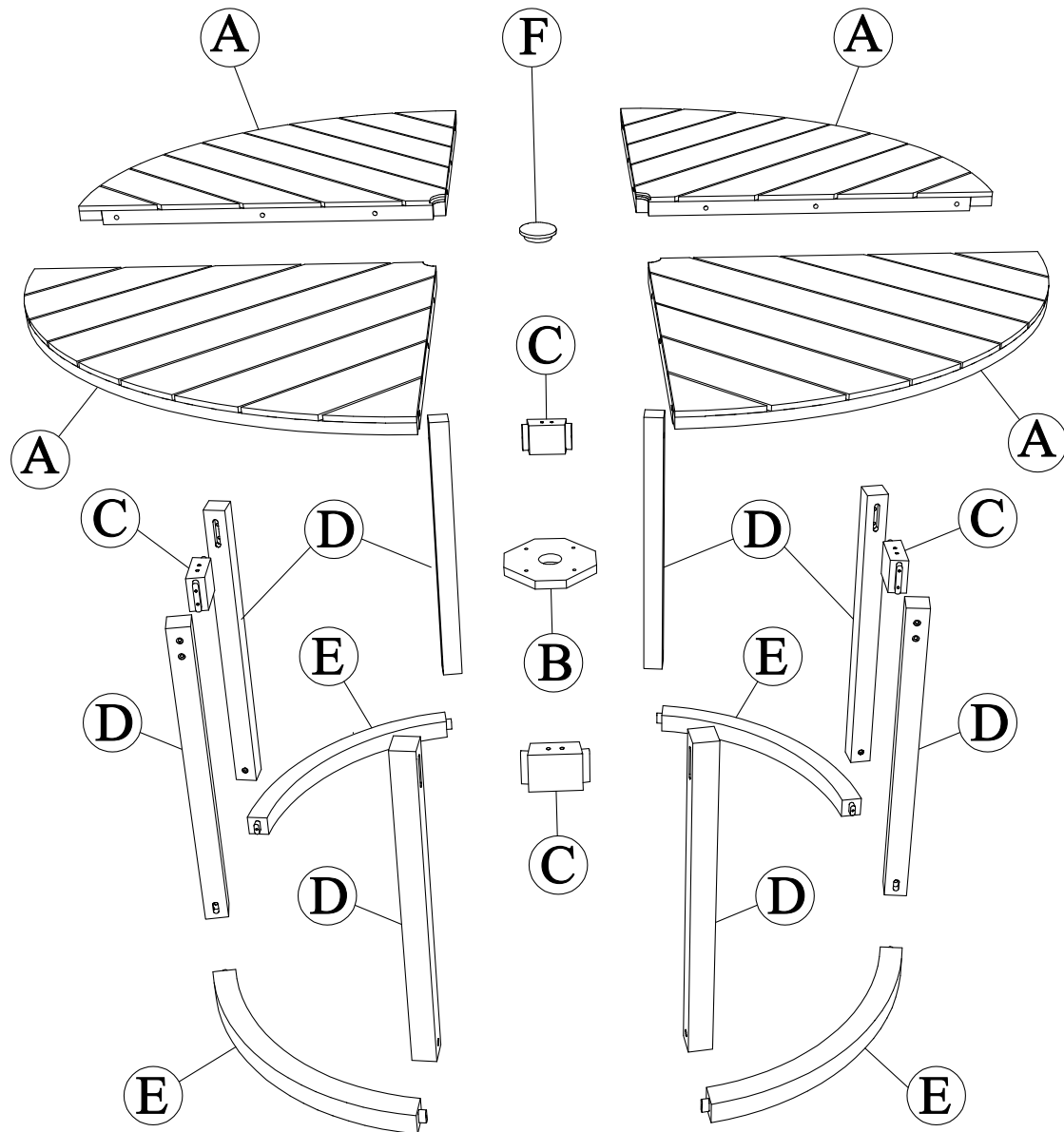
- 1. Have 2 adults on hand for assembly.**
- 2. 50% Tighten before fixing all screws, Allen wrench is recommended instead of an electric drill.**
- 3. Place the item on a flat ground to adjust and make sure it remains stable.**
- 4. Tighten up all screws with tools gradually.**
- 5. If the screws are not aligned with holes during assembly, please loosen all the other screws to 50% and continue the assembly process.**
- 6. If the item is not stable, please loosen all the screws, adjust it on a flat ground and tighten up all screws again.**
- 7. Note : If one or some screws are fully tightened during assembly, chances are the others will not be aligned with holes. In addition, all the holes are designed to be relatively larger to provide more space for the adjustment of the screws.**

Care & Maintenance

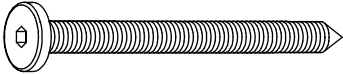

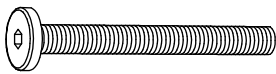
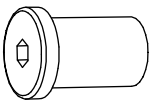

- ⊘  • Not for commercial use. For residential use only.
- ⊘  • Do not put hot items directly on furniture surface.
- ⊘  • Do not clean furniture with harsh cleansers or polishes.
- ✓  • To obtain the longest lifespan of your outdoor products, minimizing exposure to direct sunlight is recommended.
- ⊘  • Children should not climb or jump on the furniture.
- ⊘  • Do not write on furniture without a padded barrier to protect the surface.
- ✓  • To obtain the longest lifespan of your outdoor products, avoid extended and lengthy exposure to rain, snow, and direct sunshine. Whenever possible cover the product and /or place under patio or awnings.
- ⊘  • Stains may be removed with mild soap solution and damp cloth.
- ✓  • Dust and pick-up spills using a clean, non-colored, lint-free cloth.

Part List :

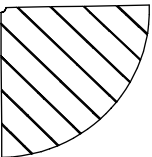
<p>A</p>  <p>Table Top (4pc)</p>	<p>B</p>  <p>Umbrella Hole Insert (1pc)</p>	<p>C</p>  <p>Leg Connecting Block(4pc)</p>	<p>D</p>  <p>Leg (8pc)</p>
<p>E</p>  <p>Curved Leg Connector (4pc)</p>	<p>F</p>  <p>Umbrella Hole Plug (1pc)</p>		




Hardware List :

<p>1</p>  <p>Screw M6*70 (32pcs) (Extra 1pc)</p>	<p>2</p>  <p>Screw M6*40 (4pcs) (Extra 1pc)</p>	<p>3</p>  <p>Bolt M6*45 (12pcs) (Extra 1pc)</p>	<p>4</p>  <p>Sleeve Nut M6*15 (12pcs) (Extra 1pc)</p>
<p>5</p>  <p>Allen Wrench (2pcs)</p>			

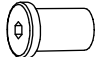
STEP 1




A x 4



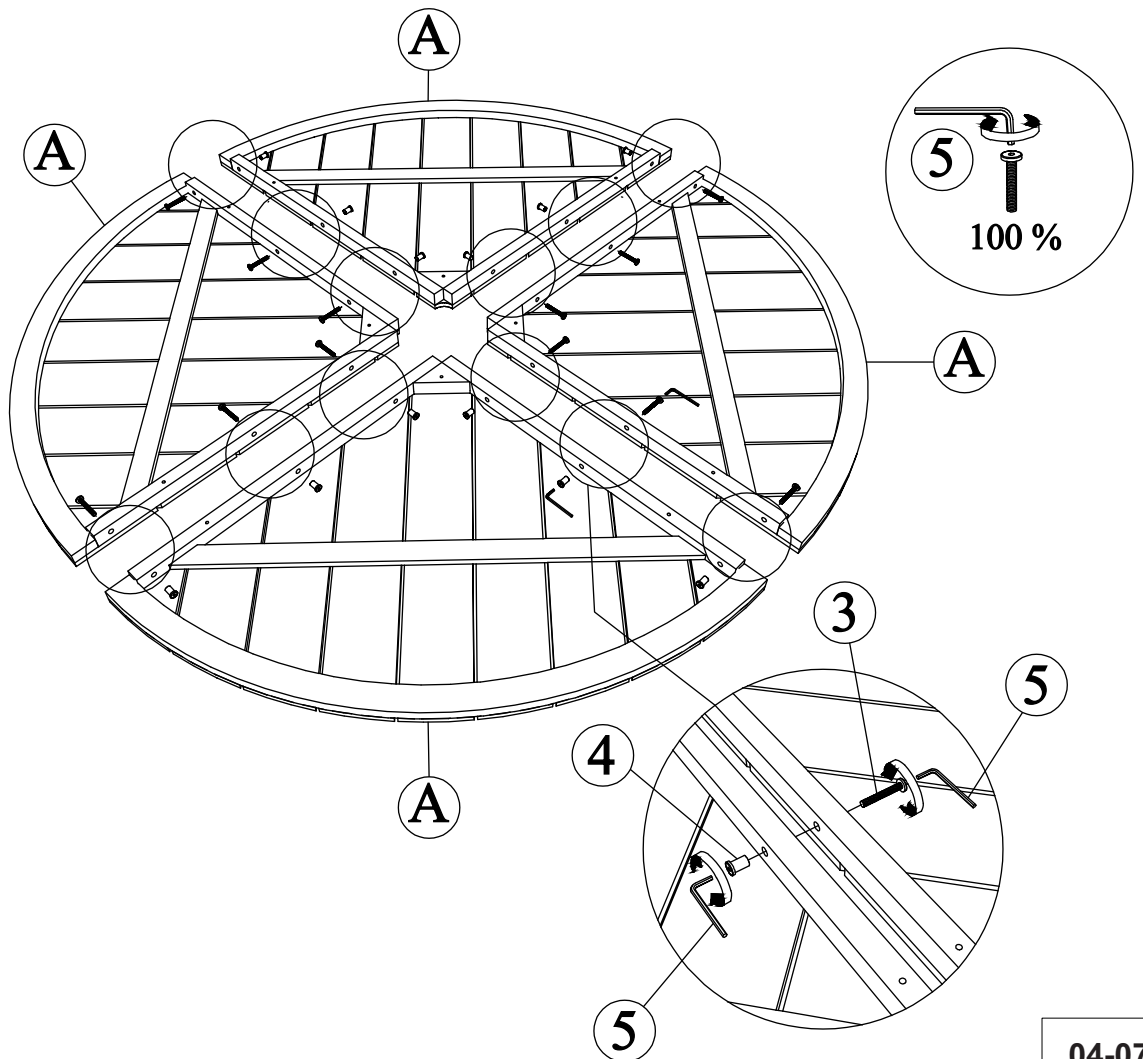
3 x 12



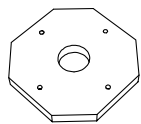
4 x 12



5 x 2



STEP 2



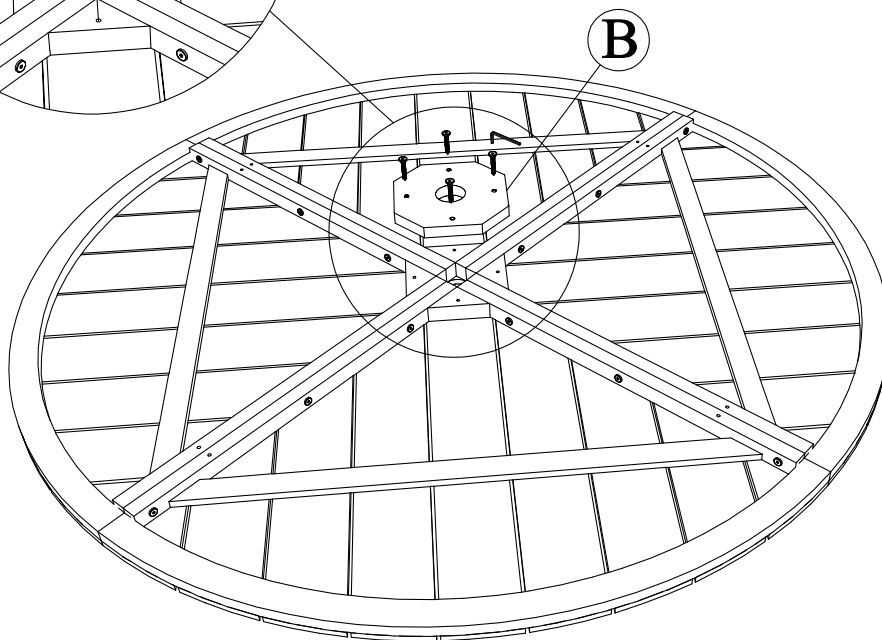
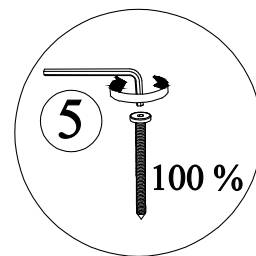
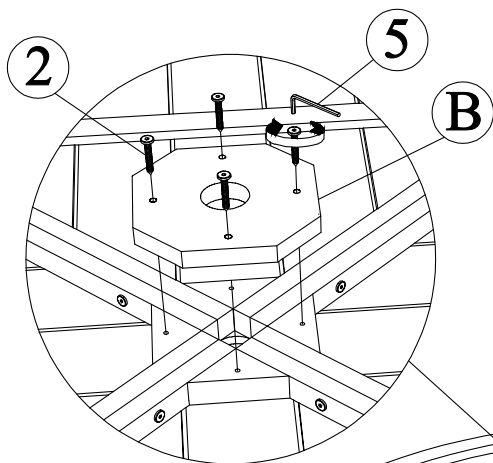
B x 1



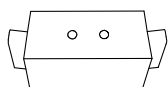
2 x 4



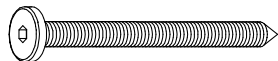
5 x 1



STEP 3



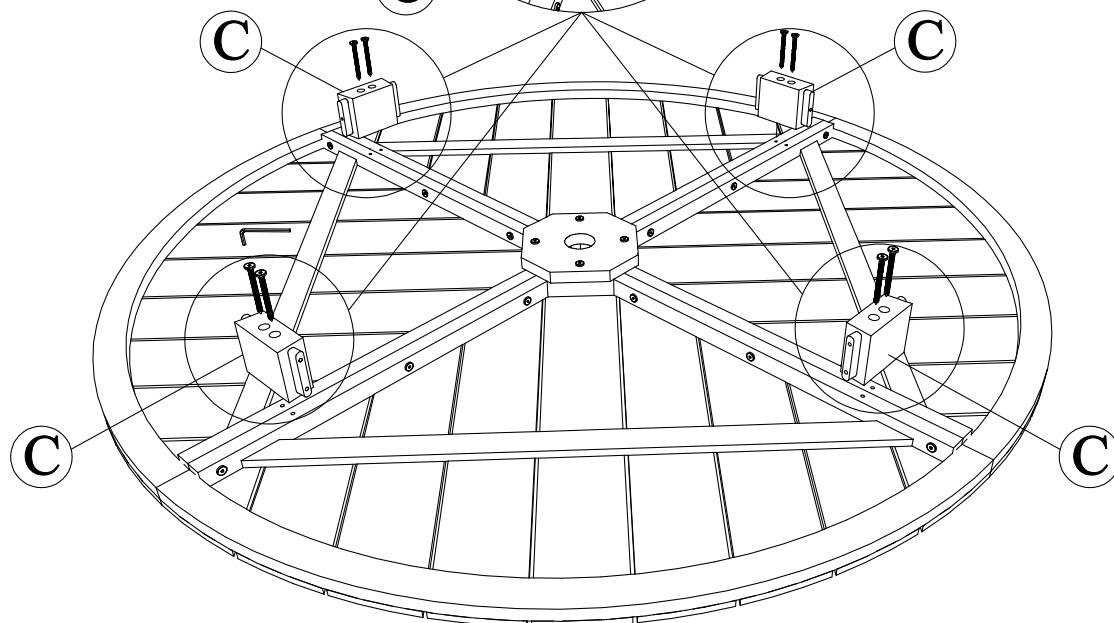
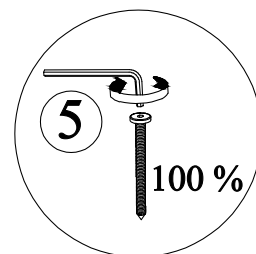
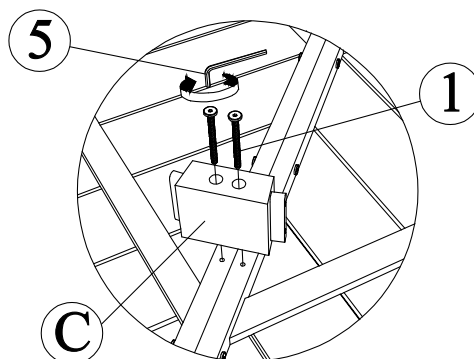
C x 4



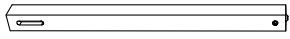
1 x 8



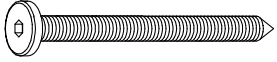
5 x 1



STEP 4



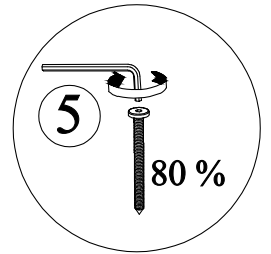
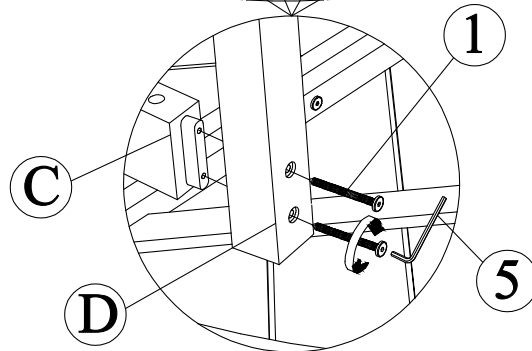
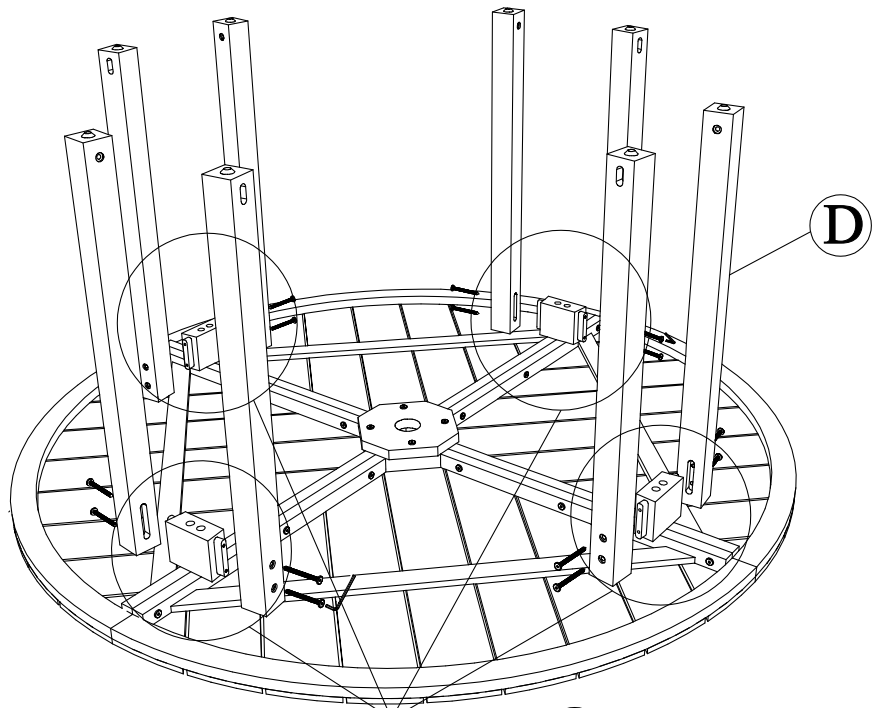
D x 8



1 x 16



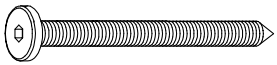
5 x 1



STEP 5



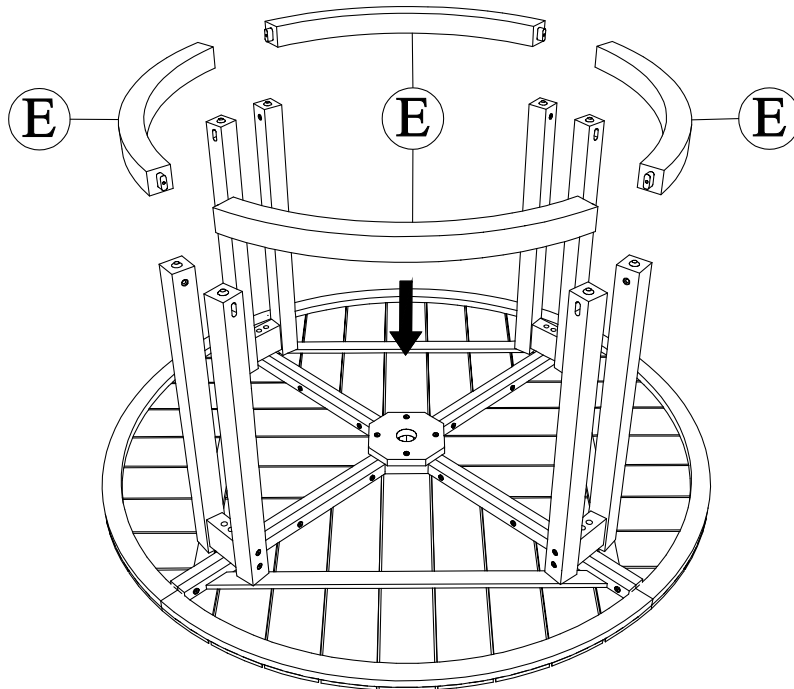
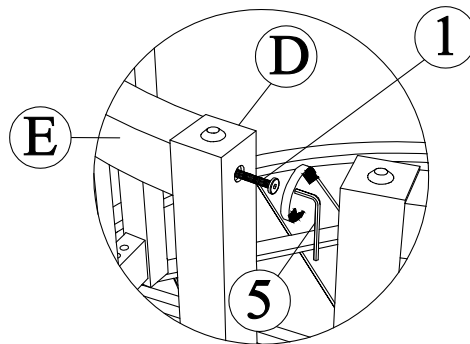
E x 4



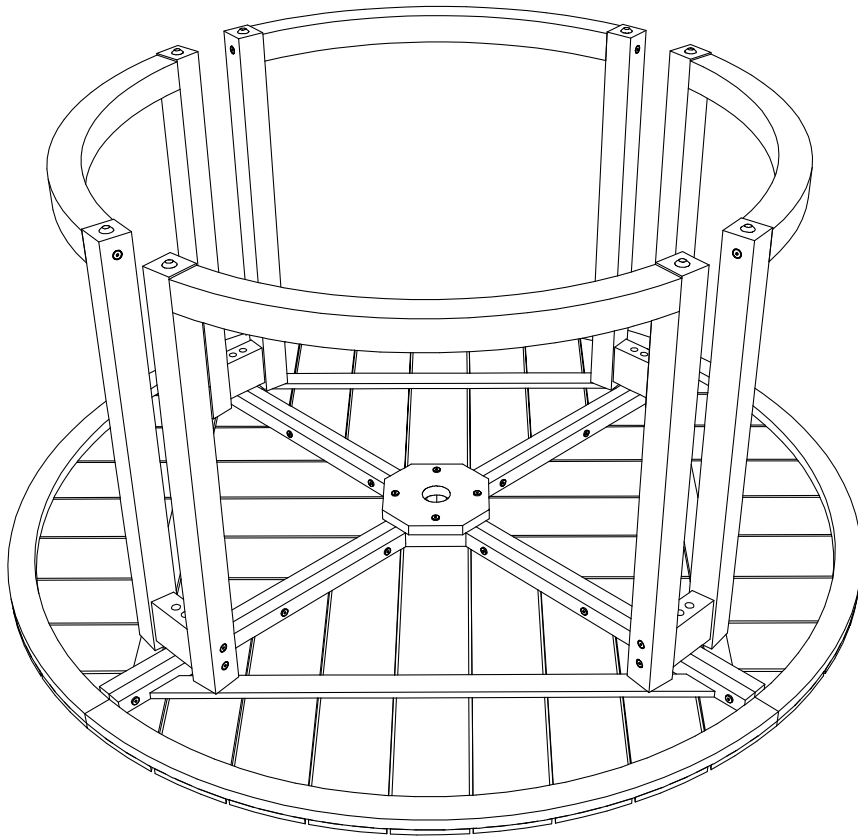
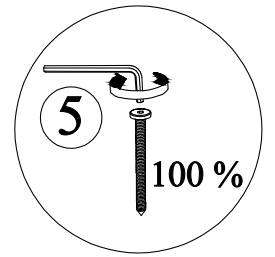
1 x 8



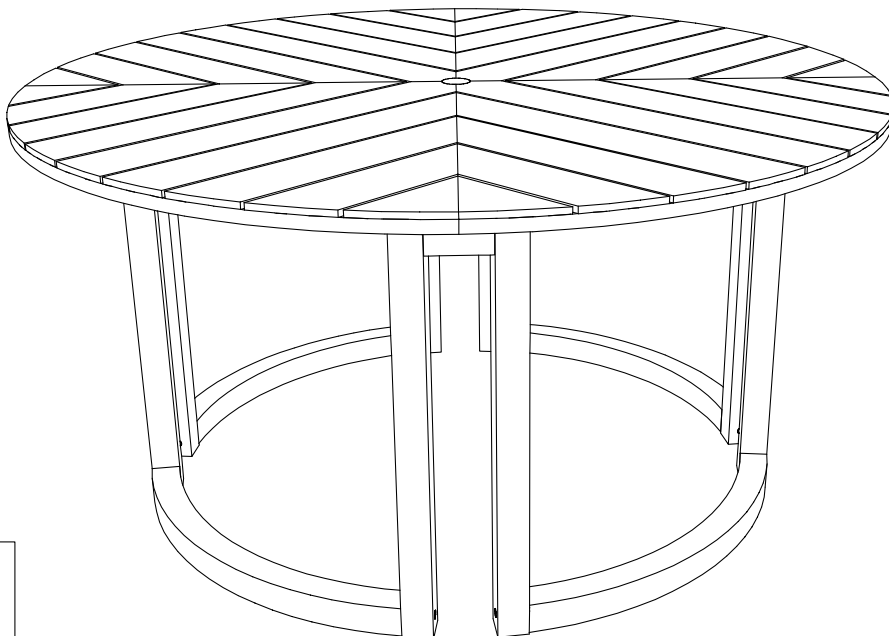
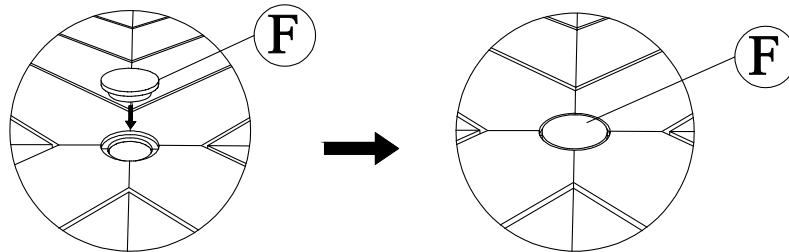
5 x 1



STEP 6



STEP 7



F x 1

FINISH