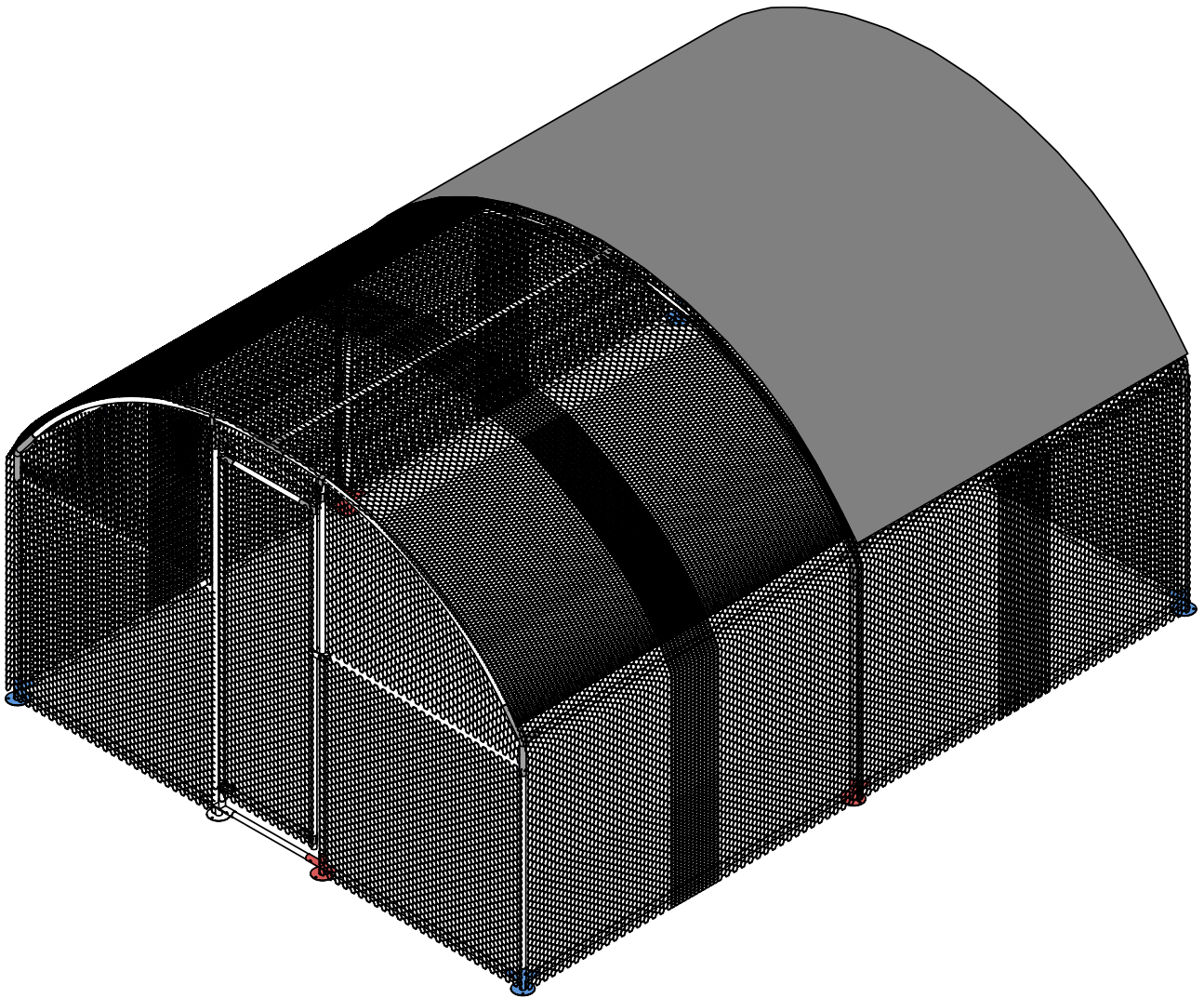


Curved Chicken Run

3m x 4m / 10ft x 13ft

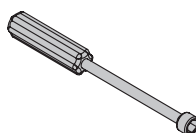
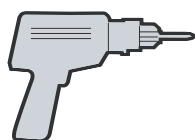
Assembly Guide



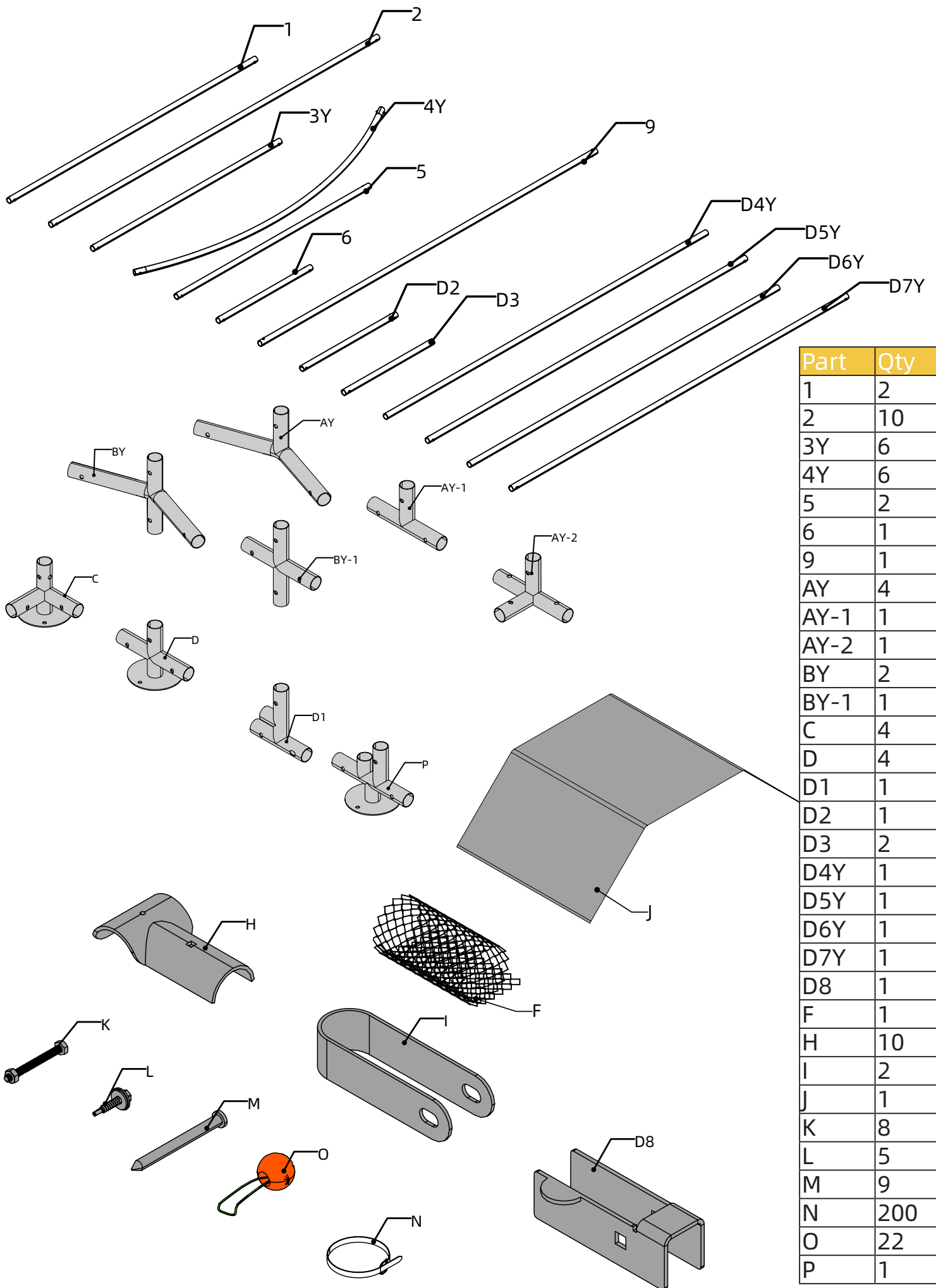
SAFETY

- Read all the safety information and instructions.
- Make sure you have all the parts before the assembling
- Do not assemble the chicken run on a stormy day. It will be damaged.
- Always wear work gloves, long sleeves, and safety goggles when assembling.
- Keep children and pets away from the assembly site.
- When using a ladder, make sure the ground is stable enough to hold the ladder.
- Remove snow from the roof after each snowfall.
- Do not walk on the roof, even if you can.

TOOLS

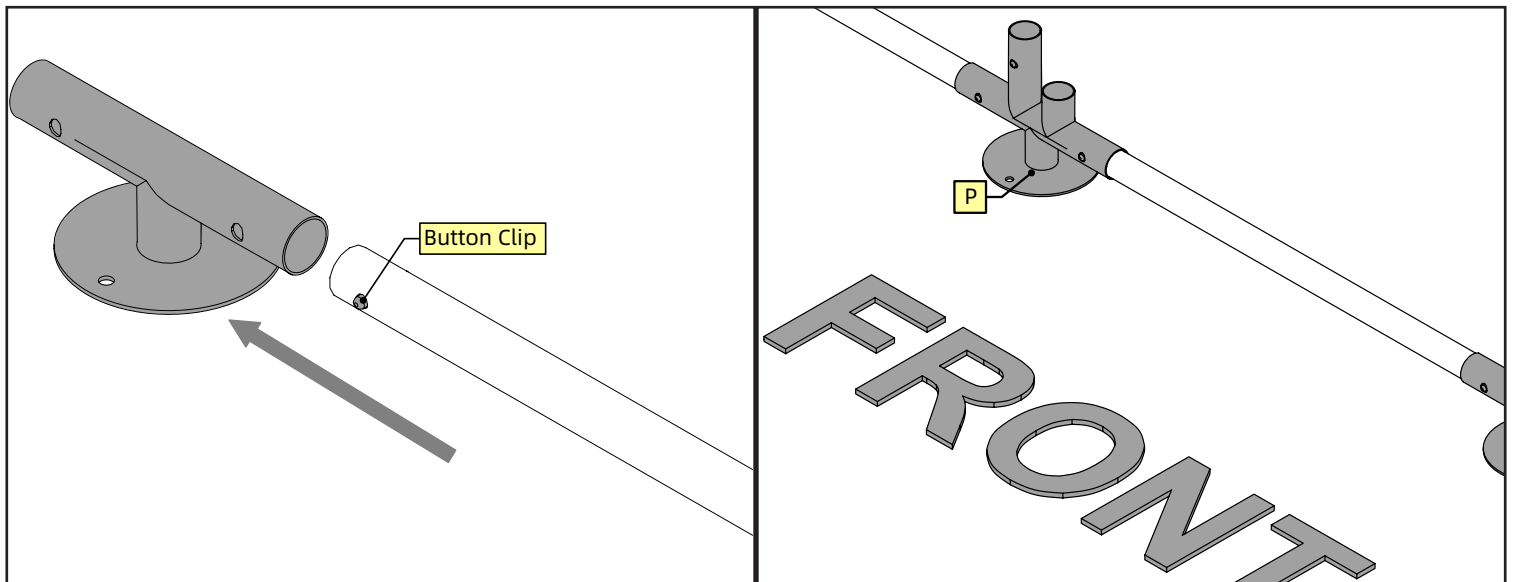
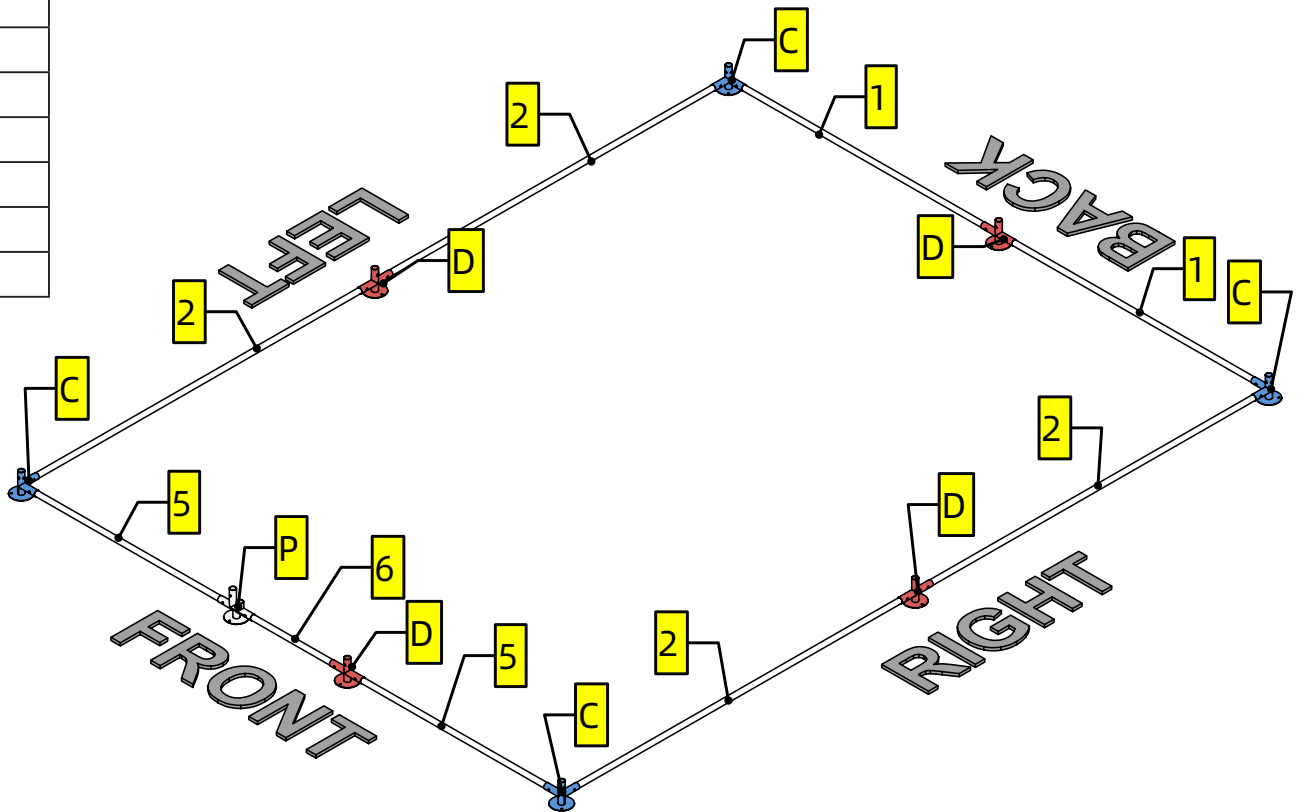


PART LIST



| Part | Qty |
|------|-----|
| 1 | 2 |
| 2 | 10 |
| 3Y | 6 |
| 4Y | 6 |
| 5 | 2 |
| 6 | 1 |
| 9 | 1 |
| AY | 4 |
| AY-1 | 1 |
| AY-2 | 1 |
| BY | 2 |
| BY-1 | 1 |
| C | 4 |
| D | 4 |
| D1 | 1 |
| D2 | 1 |
| D3 | 2 |
| D4Y | 1 |
| D5Y | 1 |
| D6Y | 1 |
| D7Y | 1 |
| D8 | 1 |
| F | 1 |
| H | 10 |
| I | 2 |
| J | 1 |
| K | 8 |
| L | 5 |
| M | 9 |
| N | 200 |
| O | 22 |
| P | 1 |

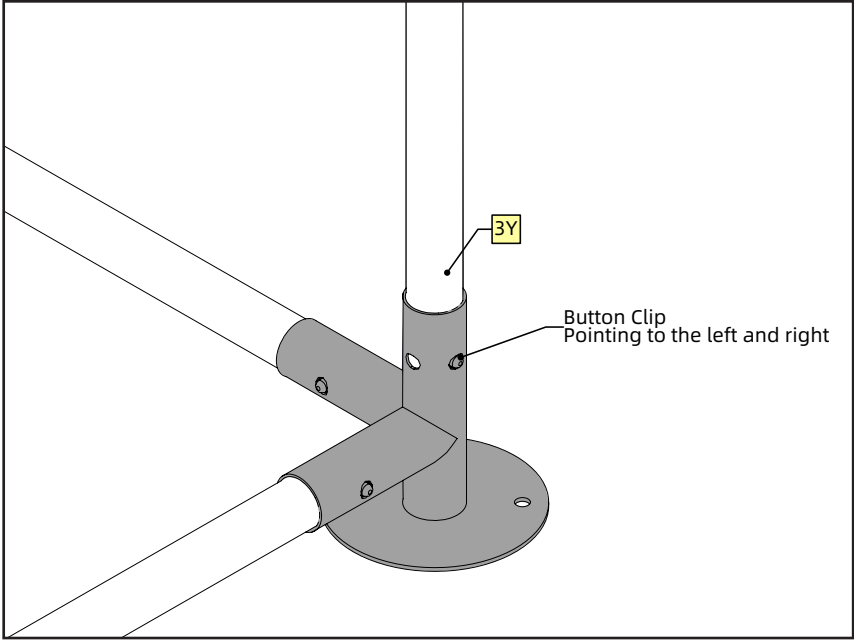
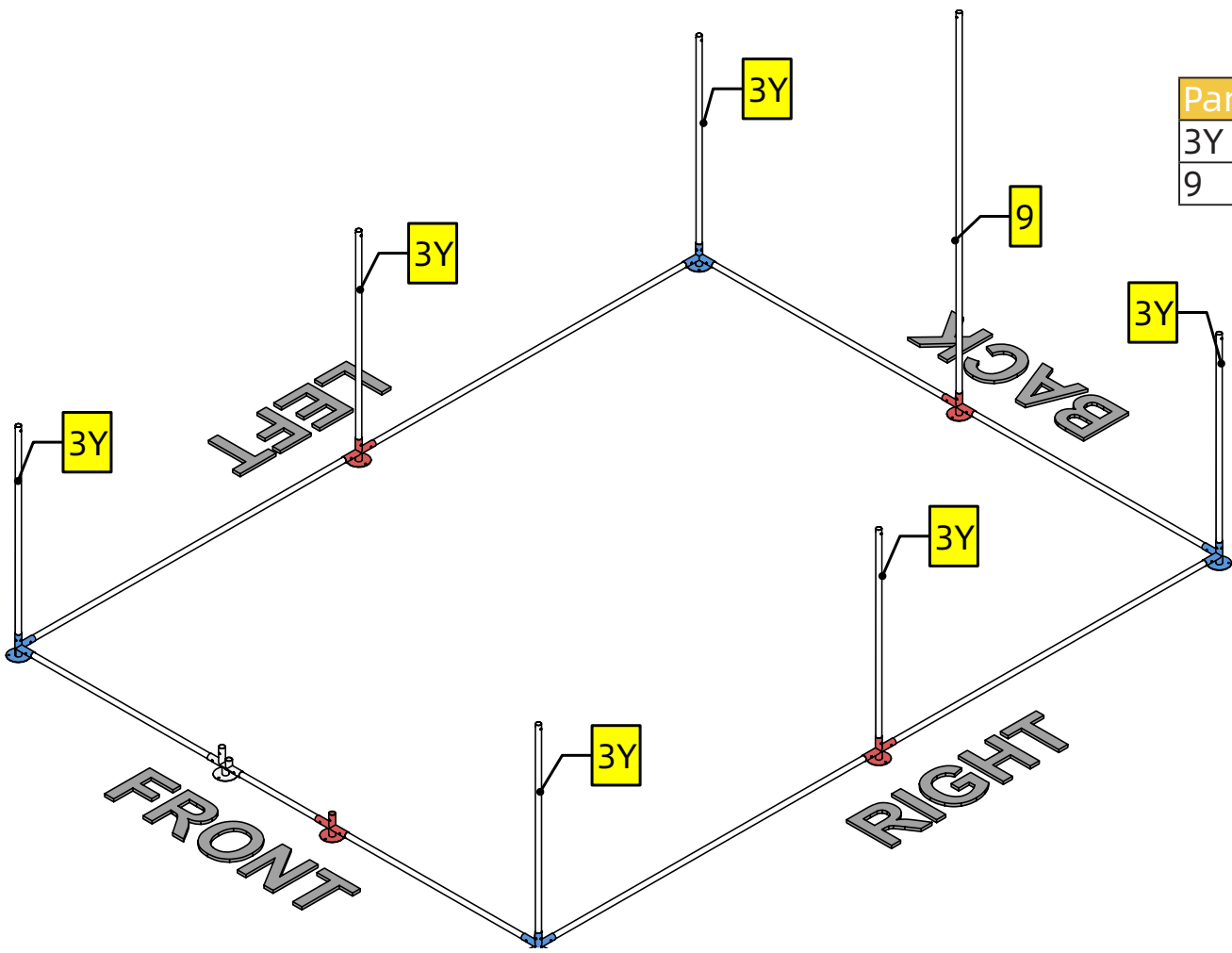
| Part | Qty |
|------|-----|
| 1 | 2 |
| 2 | 4 |
| 5 | 2 |
| 6 | 1 |
| C | 4 |
| D | 4 |
| P | 1 |



Note

For this product, tubes and joints are connected using button clips. Button clips are already inserted inside tubes. When connecting, press the button clip and insert one tube into the joint. Forcing the tubes in might also work but you are risking damaging the Clip. Pay attention to the orientation of Part P.

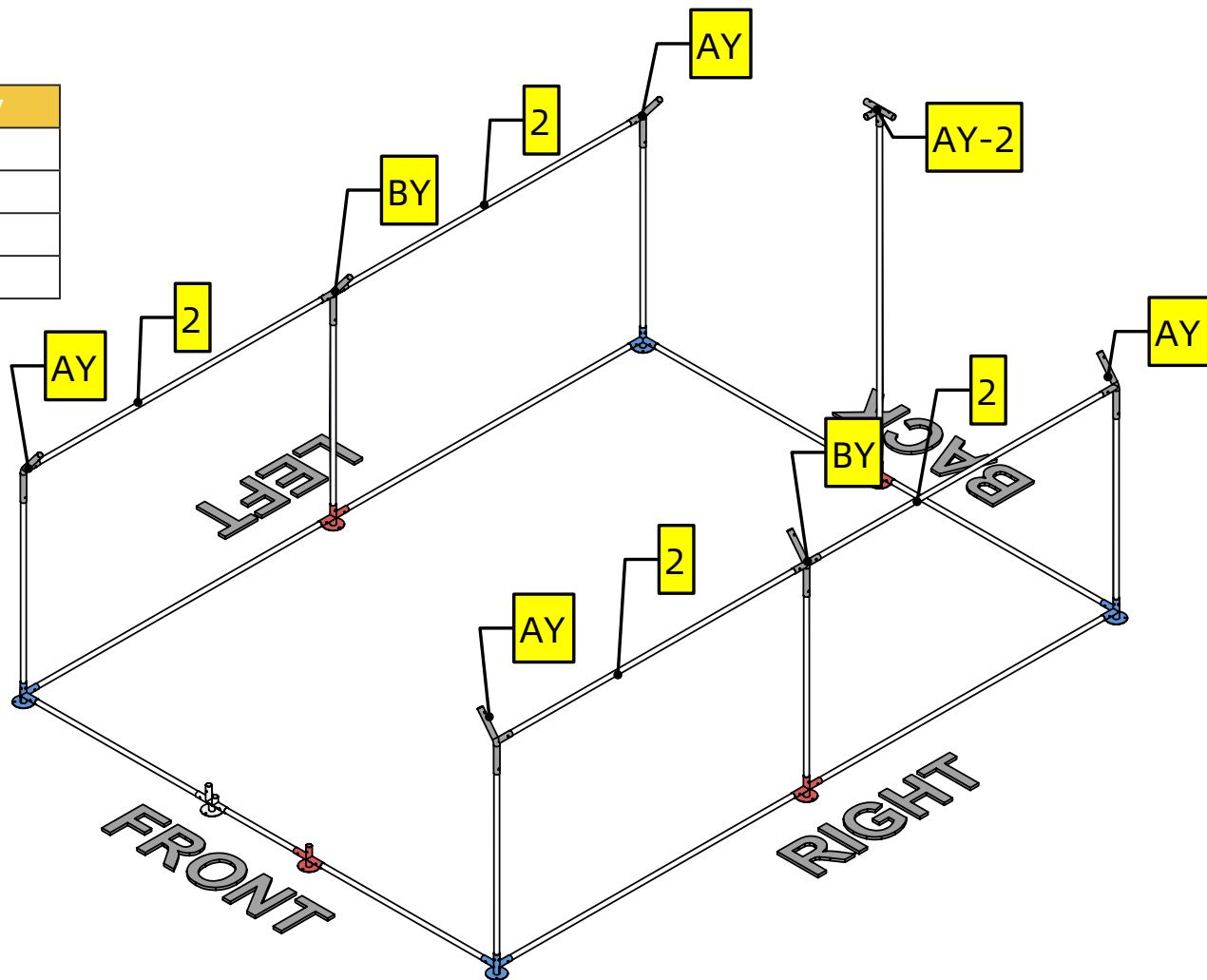
| Part | Qty |
|------|-----|
| 3Y | 6 |
| 9 | 1 |



Note
There are two pairs of holes on the vertical joint of Part C. When connecting Part 3Y to Part C, make sure that the Button Clip is pointing to the left and right, like what's shown on the left.

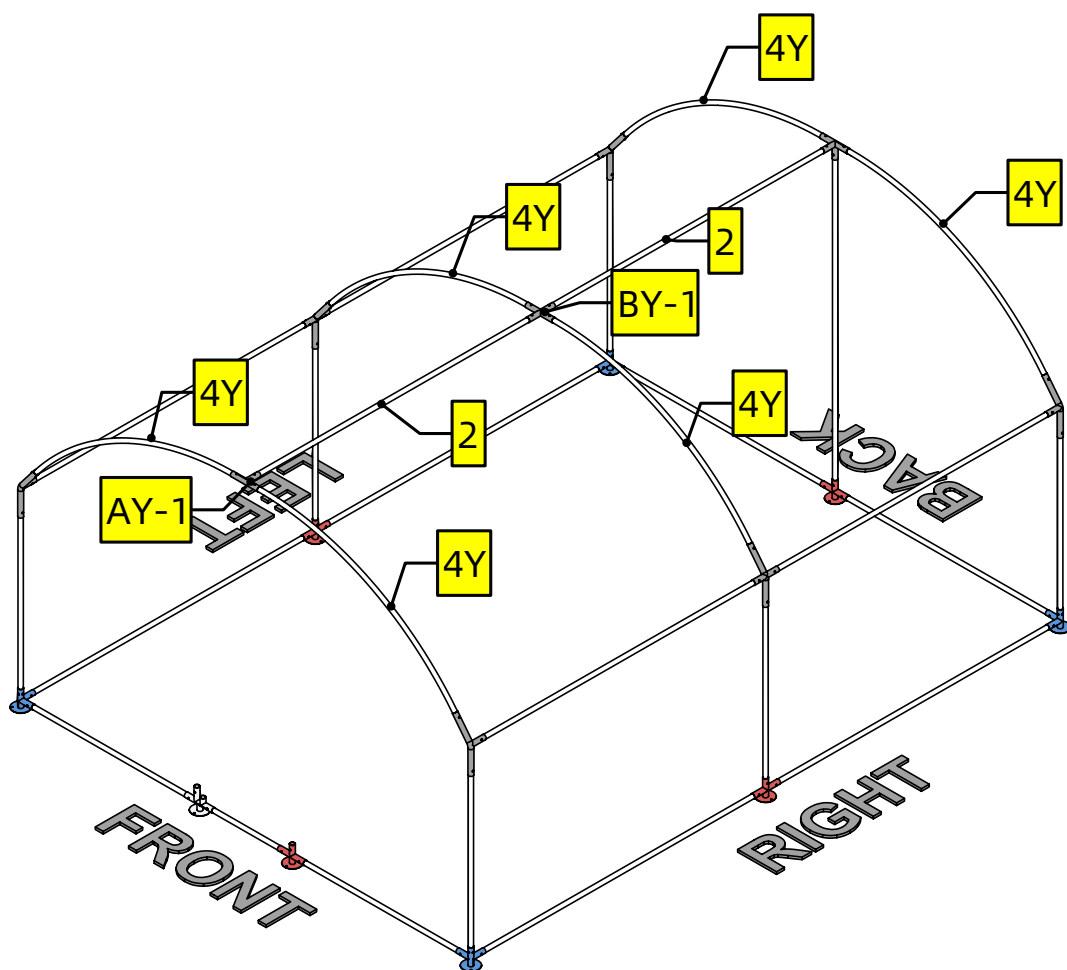
3

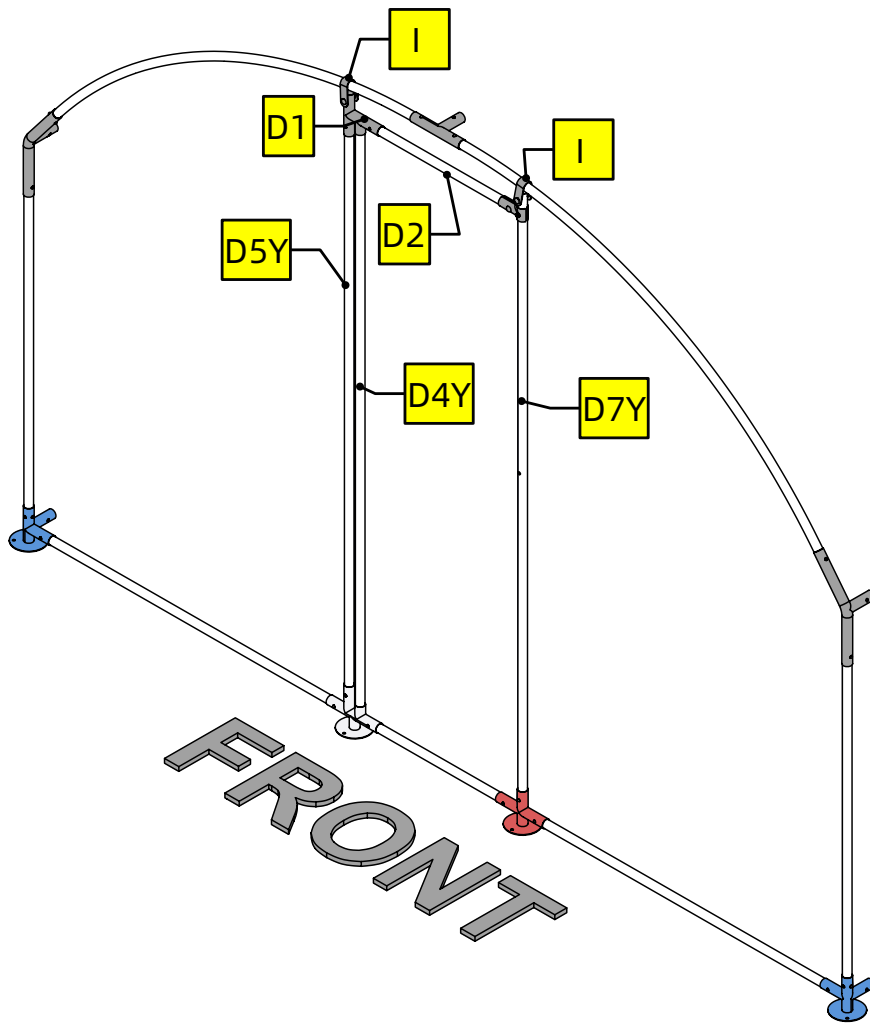
| Part | Qty |
|------|-----|
| AY | 4 |
| 2 | 4 |
| BY | 2 |
| AY-2 | 1 |



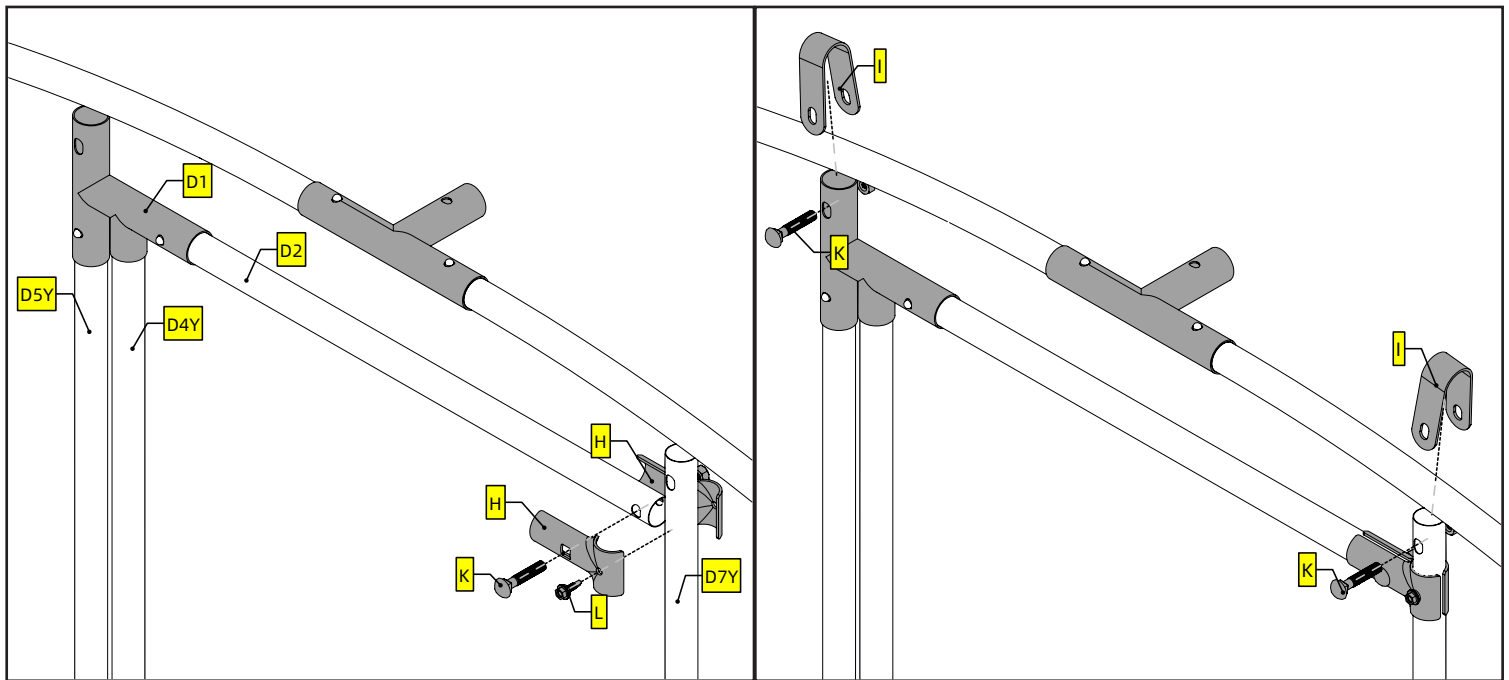
4

| Part | Qty |
|------|-----|
| AY-1 | 1 |
| BY-1 | 1 |
| 2 | 2 |
| 4Y | 6 |



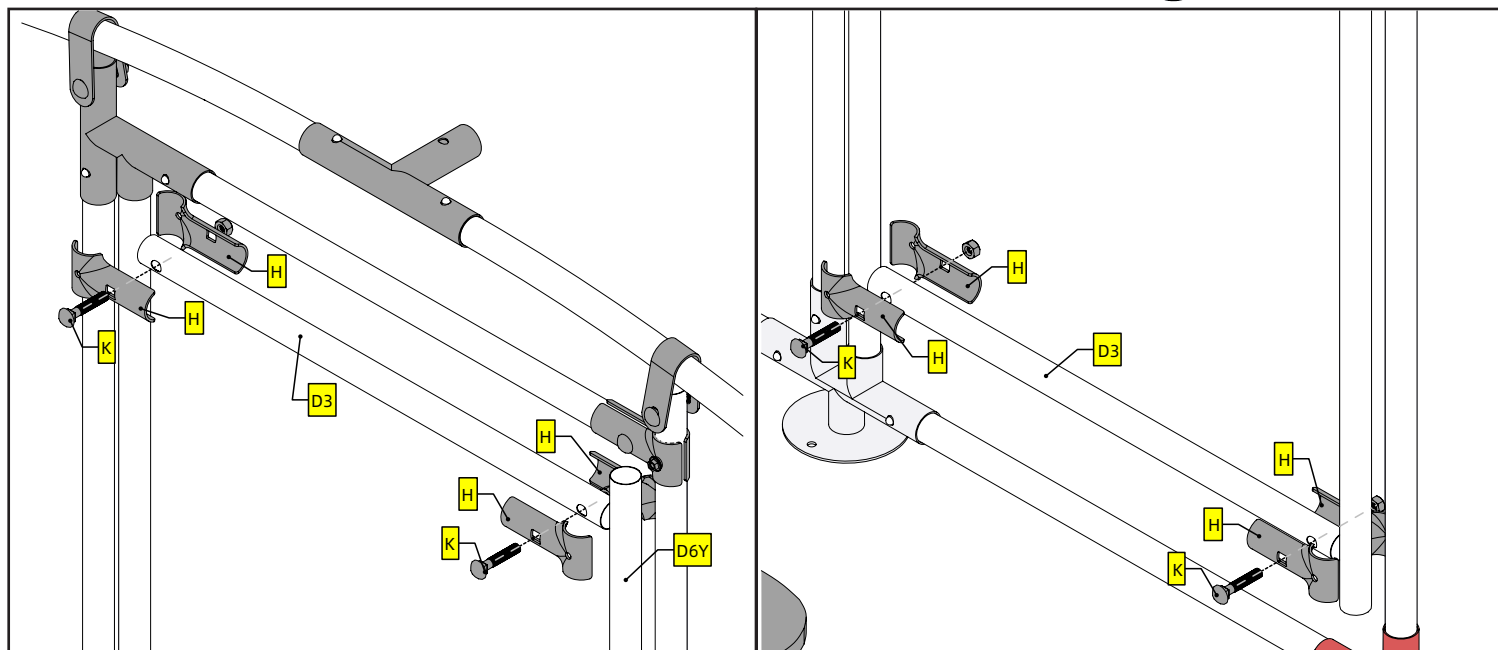
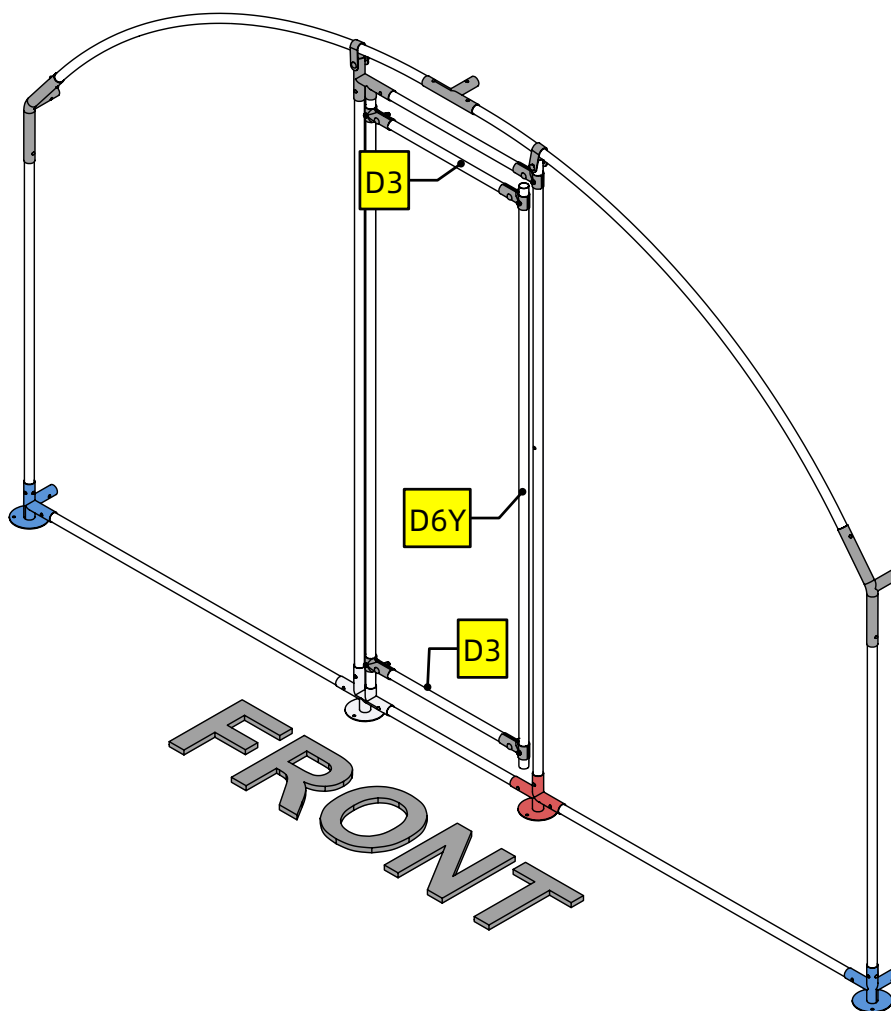


| Part | Qty |
|------|-----|
| D1 | 1 |
| D2 | 1 |
| D4Y | 1 |
| D5Y | 1 |
| D7Y | 1 |
| H | 2 |
| I | 2 |
| K | 3 |
| L | 1 |



Note
 For screw L, you will need a power tool to drive it into tube D7Y.

| Part | Qty |
|------|-----|
| D3 | 2 |
| D6Y | 1 |
| H | 8 |
| K | 4 |
| L | 4 |

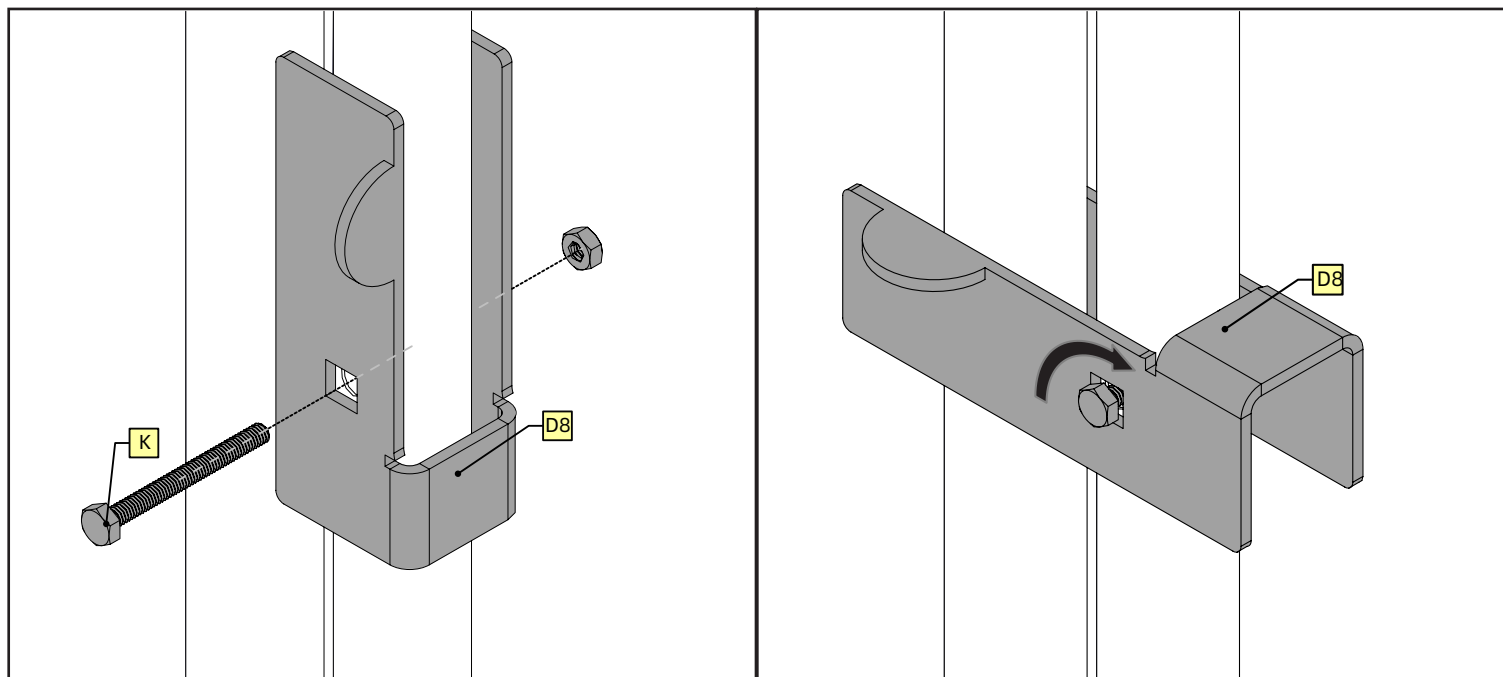
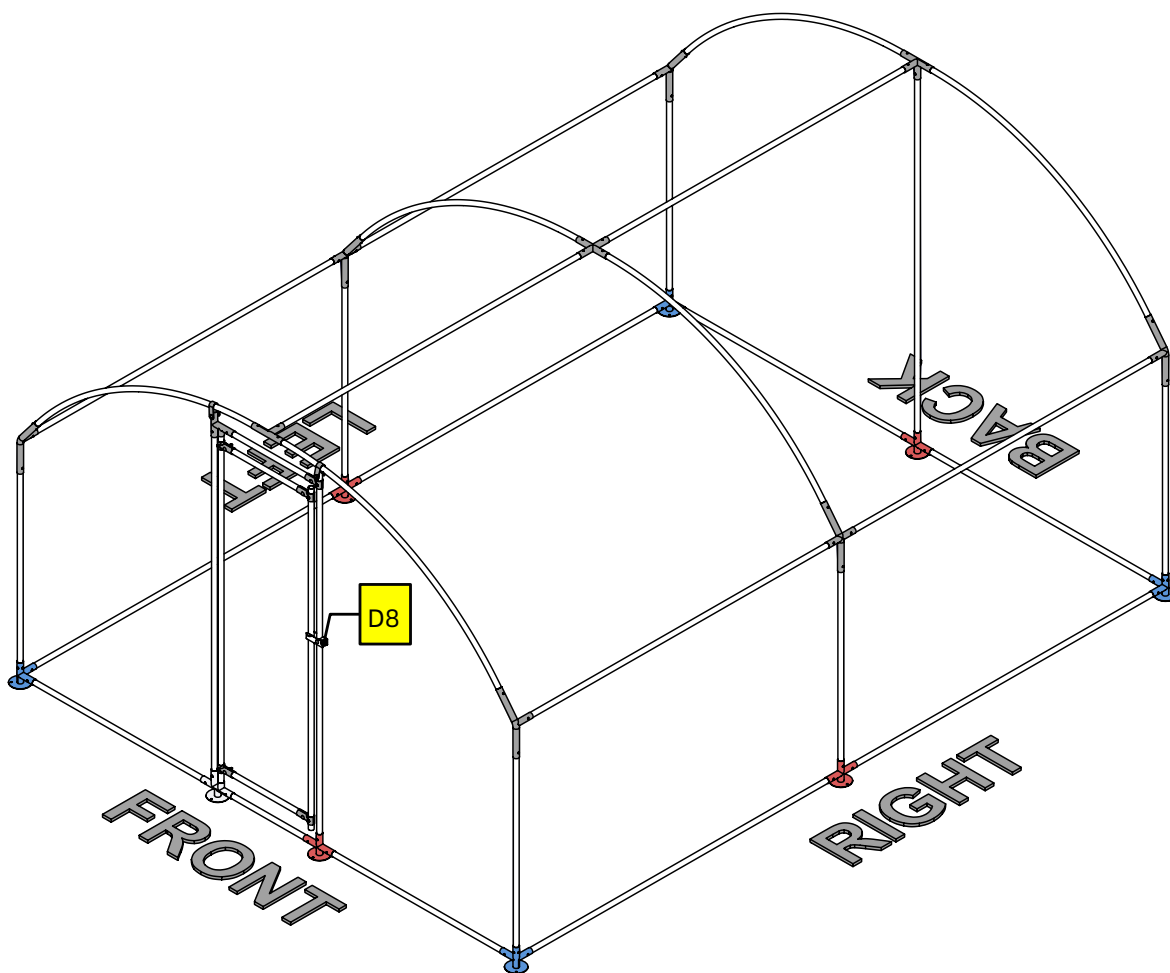


Note

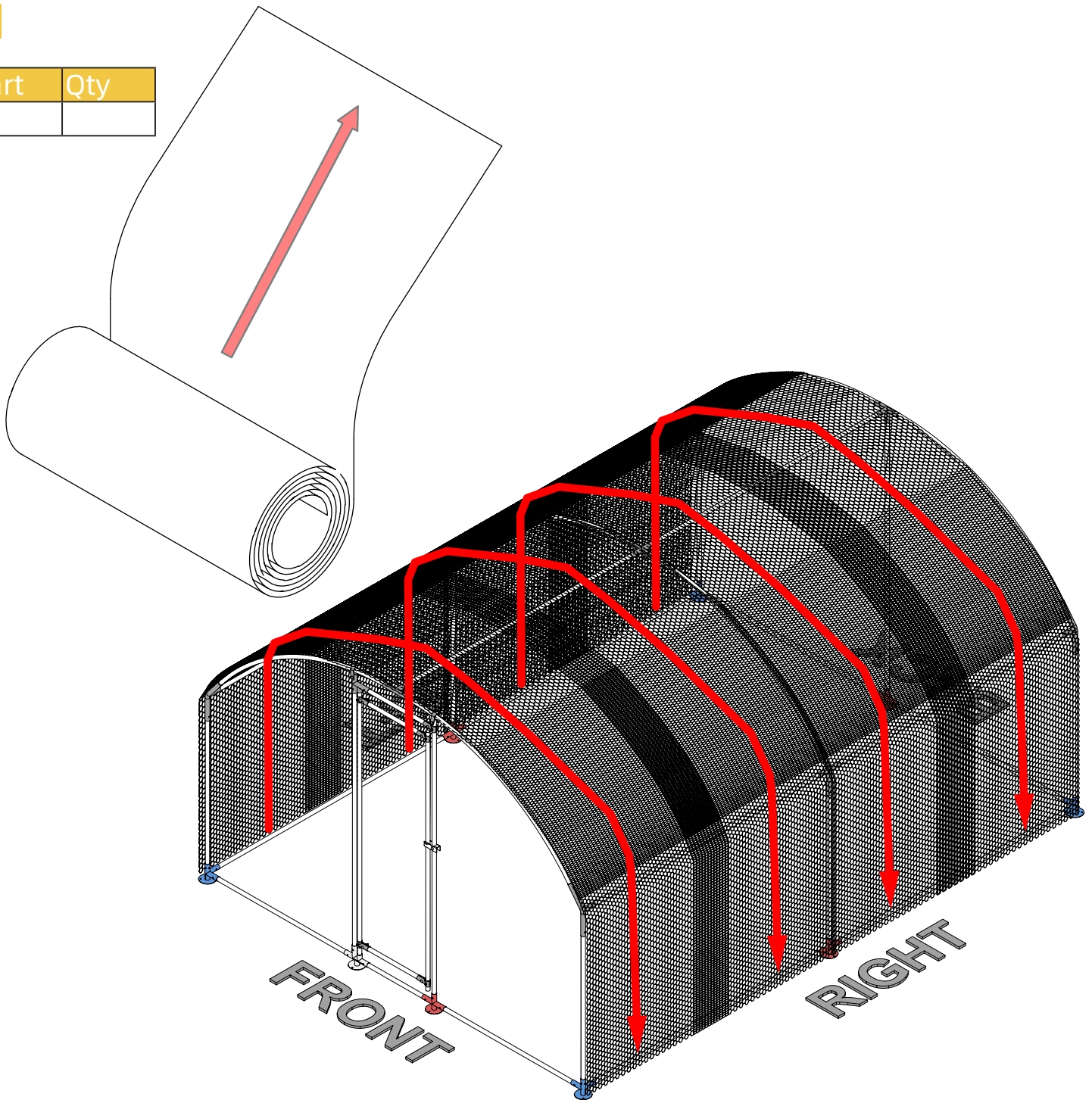
Do not worry too much about the exact location of D3 and D6Y. Just make sure D6Y is completely covered by the two pairs of H.

Notice that on the two detailed illustrations above, screw L is not used. This is so that you have some wiggle room adjusting D3 and D6Y. Once you are happy with the result, use screw L to secure H.

| Part | Qty |
|------|-----|
| D8 | 1 |
| K | 1 |

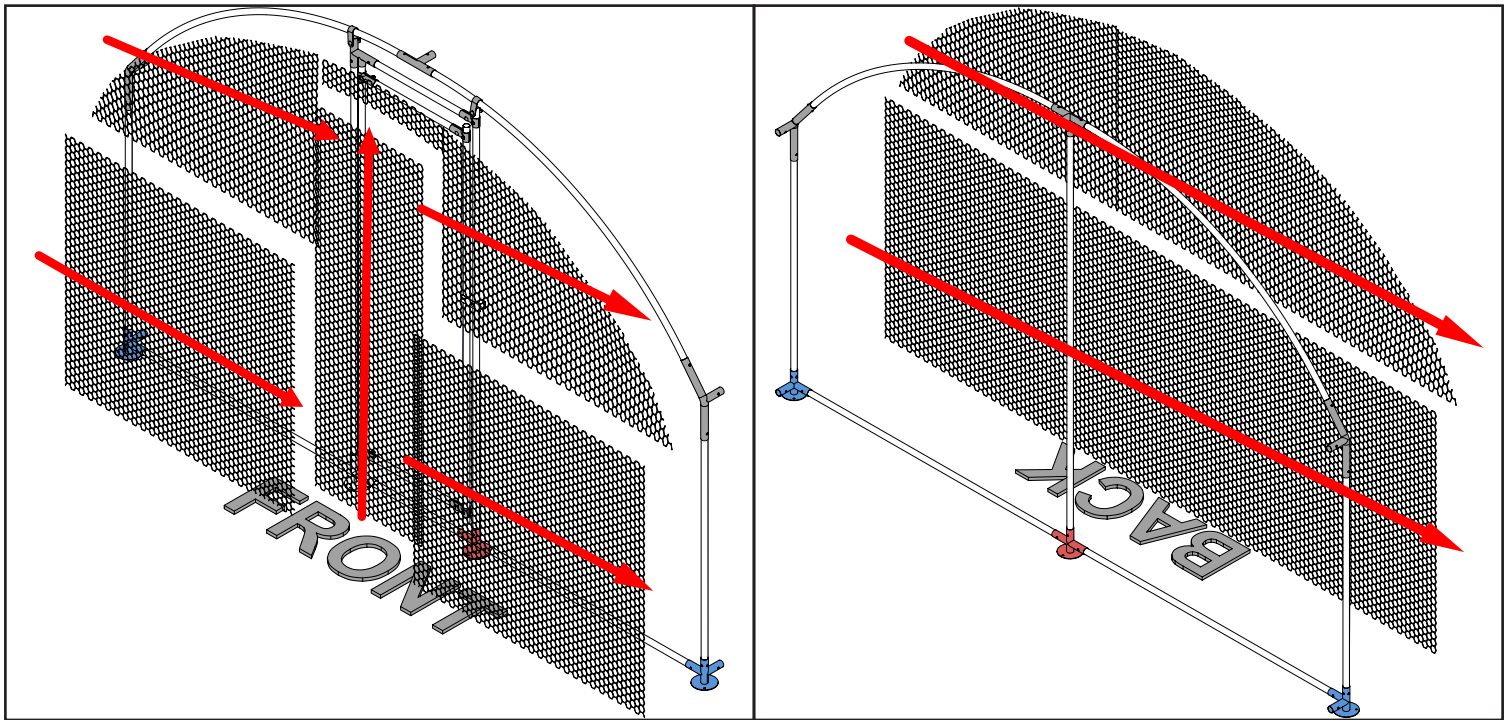
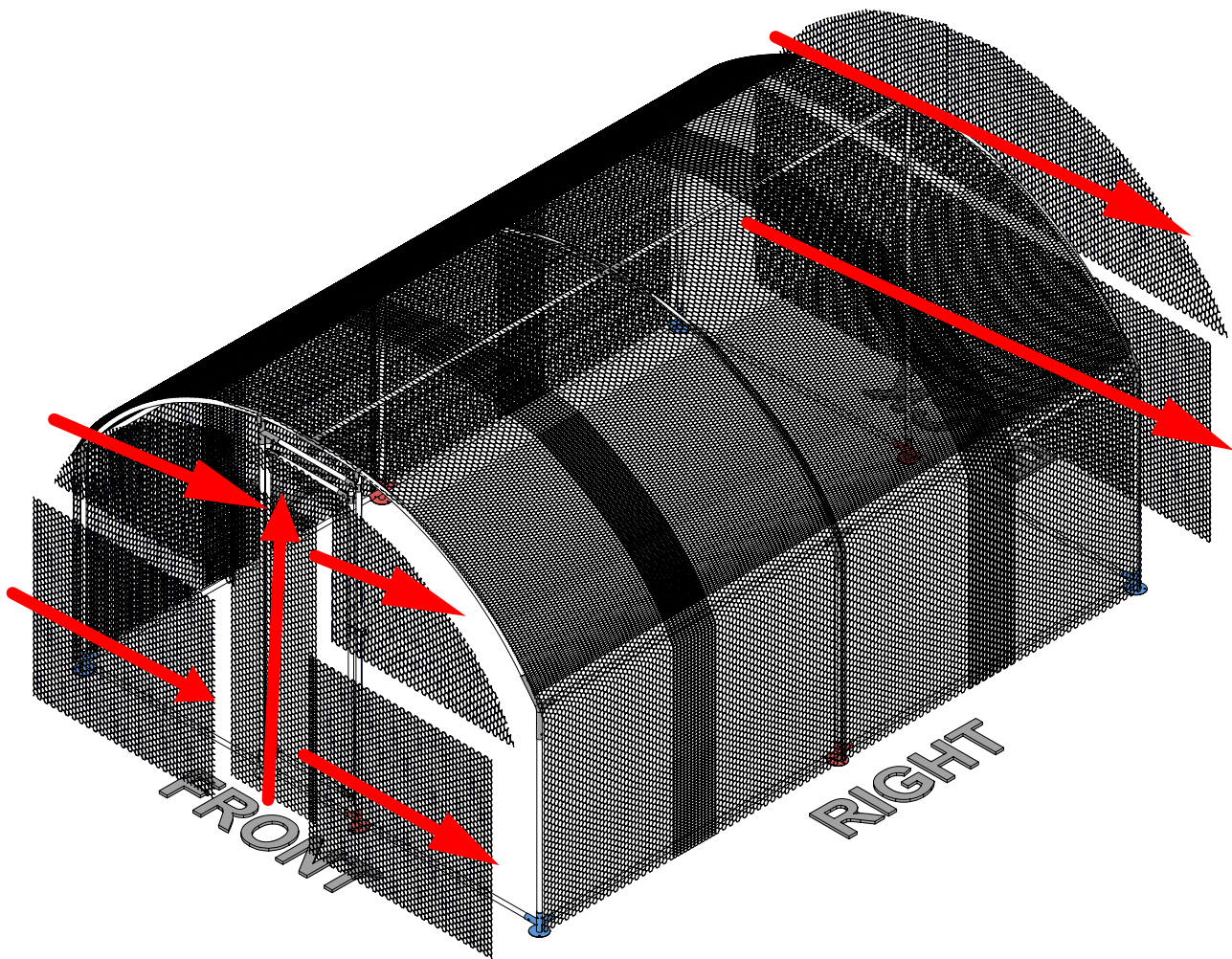


| Part | Qty |
|------|-----|
| F | |



Note

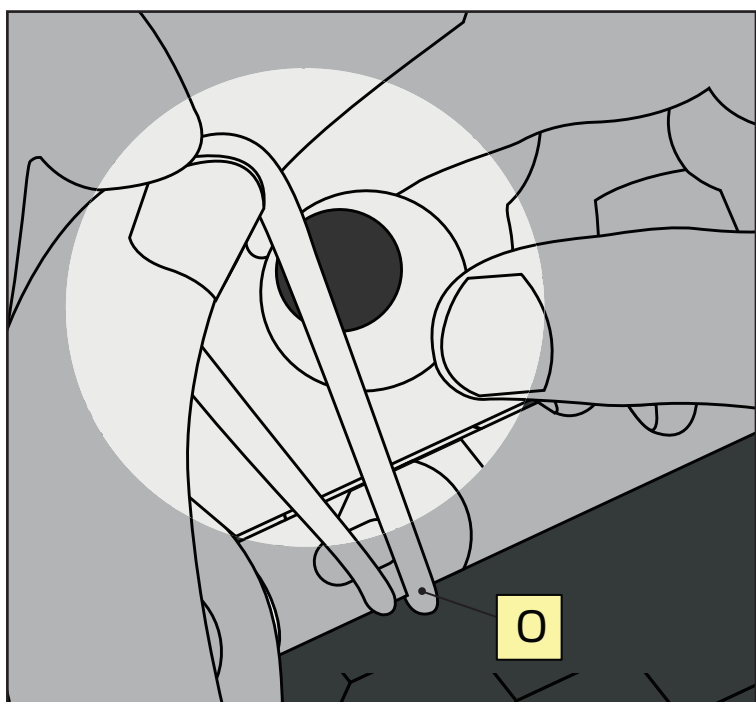
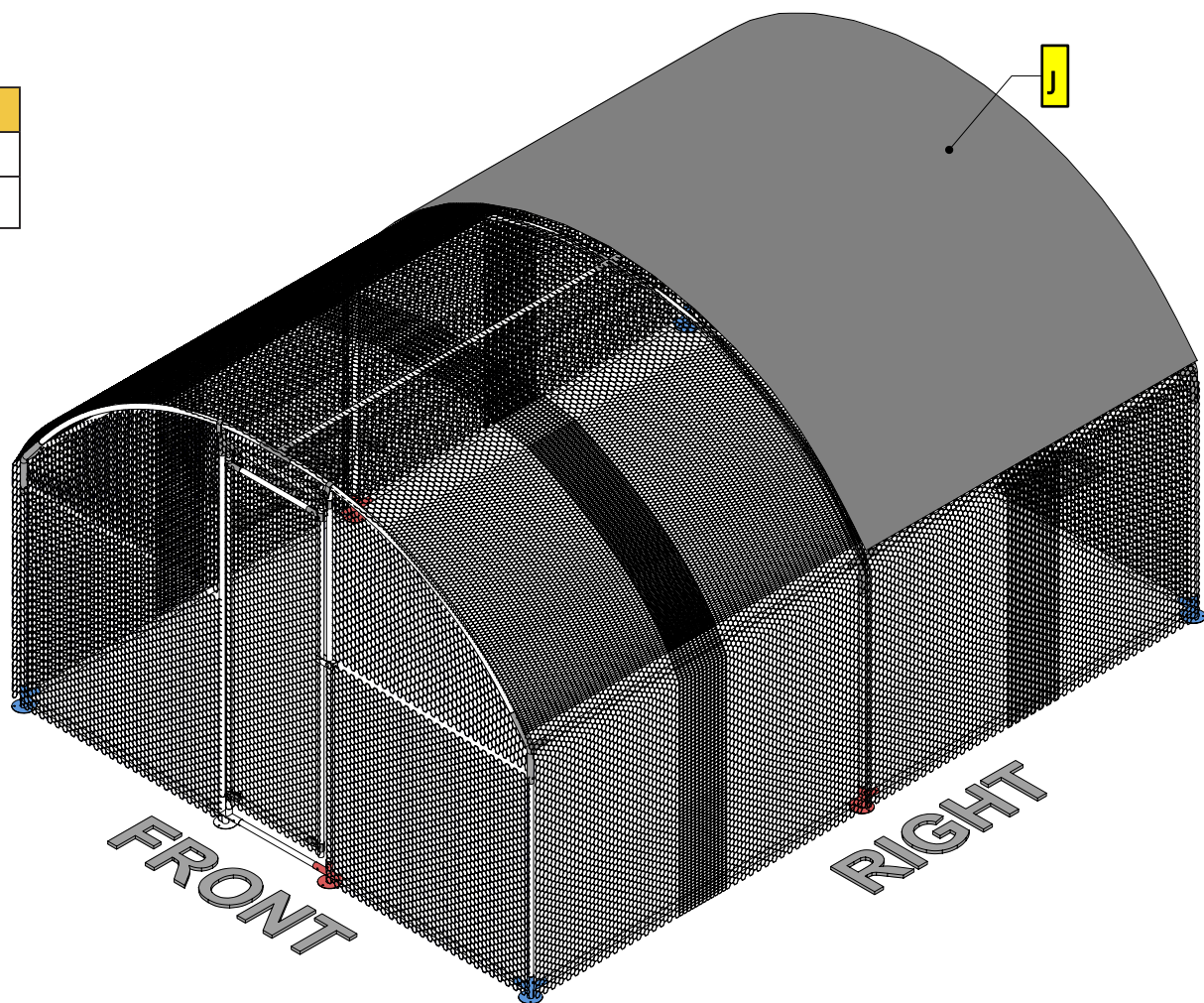
In the package you will find the poultry net. When attaching the net to the chicken run structure, do not pre-cut the net. Instead, roll the net along the tubes and cut it. The arrows on the illustrations indicate the flow of the net. Follow the arrows to roll and cut the net. Use zip-ties to fasten the net to the tubes. There will be overlaps between the nets.



Note

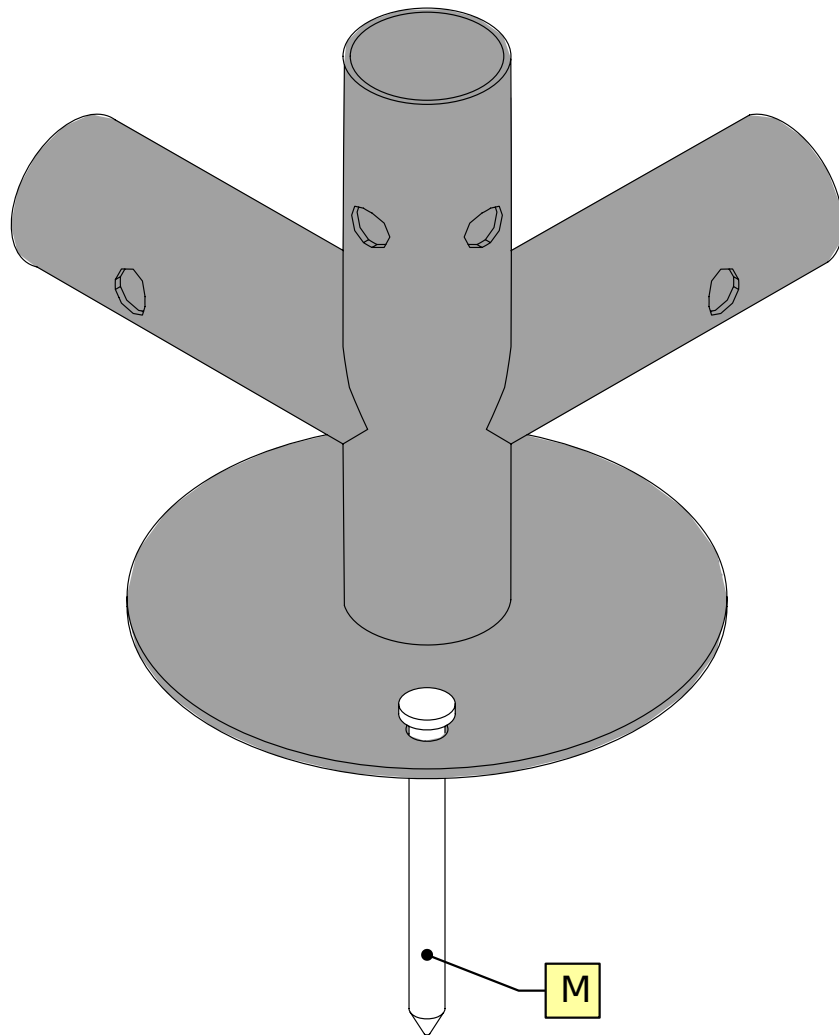
For the net placed at the back of the chicken run, we suggest rolling the net roll without measuring or precutting the net like last step. For the net placed in the front, it's easier to measure and cut the net, and then fasten the cutted net to the tubes. Notice that the rectangular shape in the front has a greater length than the width of net roll, meaning if you roll the net vertically, the roll will not be wide enough to cover the rectangular area. In summary, please follow the arrows to roll and cut the net.

| Part | Qty |
|------|-----|
| J | 1 |
| O | 22 |



Note

The Cover/Tarp J is secured onto the structure using bungee ball O. Use one bungee ball per grommet on the tarp. Notice that, at the four corners, use two bungee balls for one grommet.



| Part | Qty |
|------|-----|
| M | 9 |

Note

When you feel like you have chosen a perfect spot for your chicken run and do not plan to move it, you can fasten it to the ground using the anchor M. Use one M per ground joint, like C, D, and P.