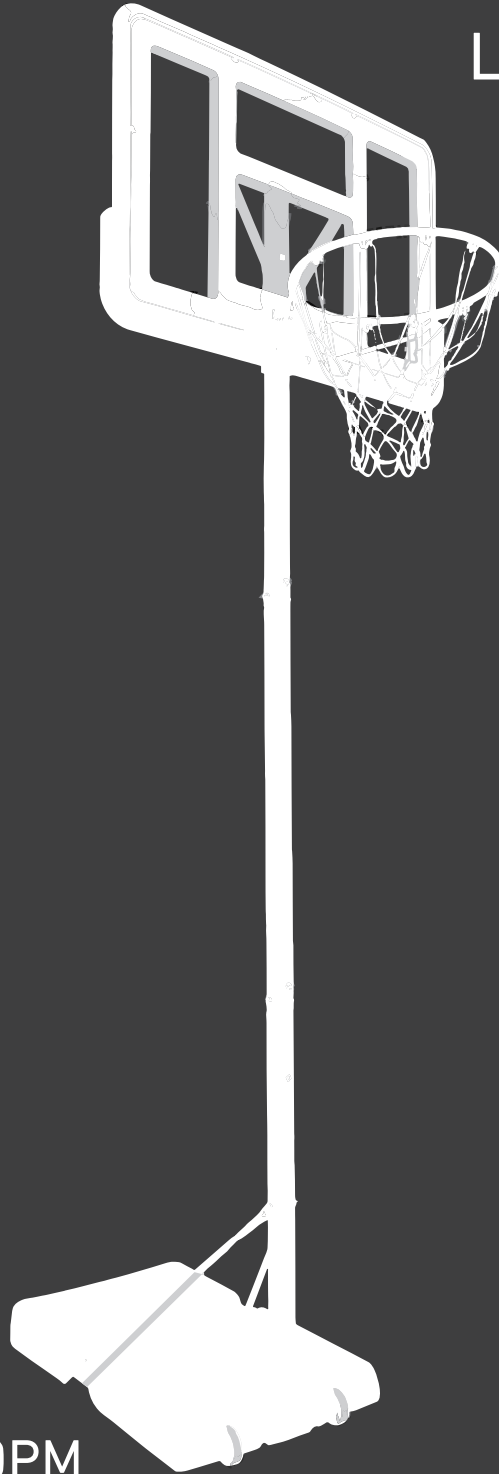


Dual-Arm Basketball Hoop

Instruction Manual

LQJ-P10FT-BK



 EST 9:00AM--17:00PM

 HJ-Customer-Service@outlook.com

 (909)637-7665 | (909)637-7593

Safety instructions for use

To ensure safety, do not attempt to assemble this system without following the instructions carefully. Check entire box and inside all packing material for parts and/or additional instruction material. Before beginning assembly, read the instructions and identify parts using the hardware identifier and parts list in this document. Proper and complete assembly, use, and supervision are essential for proper operation and to reduce the risk of accident or injury. A high probability of serious injury exists if this system is not installed, maintained, and operated properly.

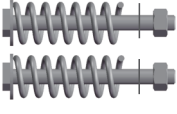
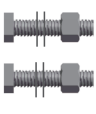
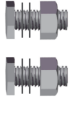
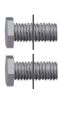
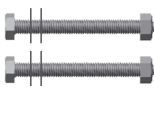
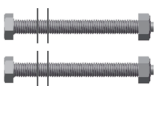
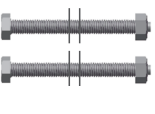
- Suggest two or more adults to install, and forbid children to install and climb.
- Check the base for water leakage, screw fastening, small flow of water leakage may lead to product collapse.
- The product is suitable for recreation and fitness, not for fierce competition. Do not dunk or hang vigorously.
- After installation, the base must be filled with water or sand immediately to prevent collapse. Before use, the base must be laid flat and flat on the ground to prevent collapse or sharp objects from damaging the base.








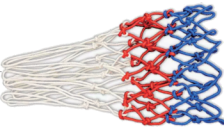
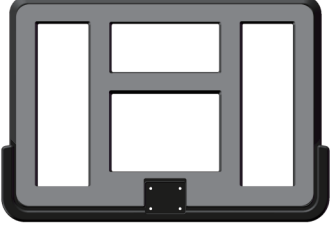

Warning




- Do not climb or hang from hoops, backboards, or nets.
- Do not use products with potential safety problems. If any parts need to be repaired or replaced, please contact after-sales staff or local dealers.
- Be very careful when moving on uneven ground, which may cause the product to roll over.
- To avoid ice damage to the base, water in the base must be poured out or filled with sand when the temperature is below 0 degrees Celsius.
- If the product is used outdoors for a long time, please make sure the top of the main pole and elevator pole is covered with plastic to prevent rain from affecting the life of the product.
- Please do not wear watches, necklaces, earrings and other jewelry, to prevent hanging hoops or lost in sports.
- When adjusting height, keep your fingers away from moving parts.
- Children are not allowed to move products or adjust their height.

Part List & Assembly Instruction

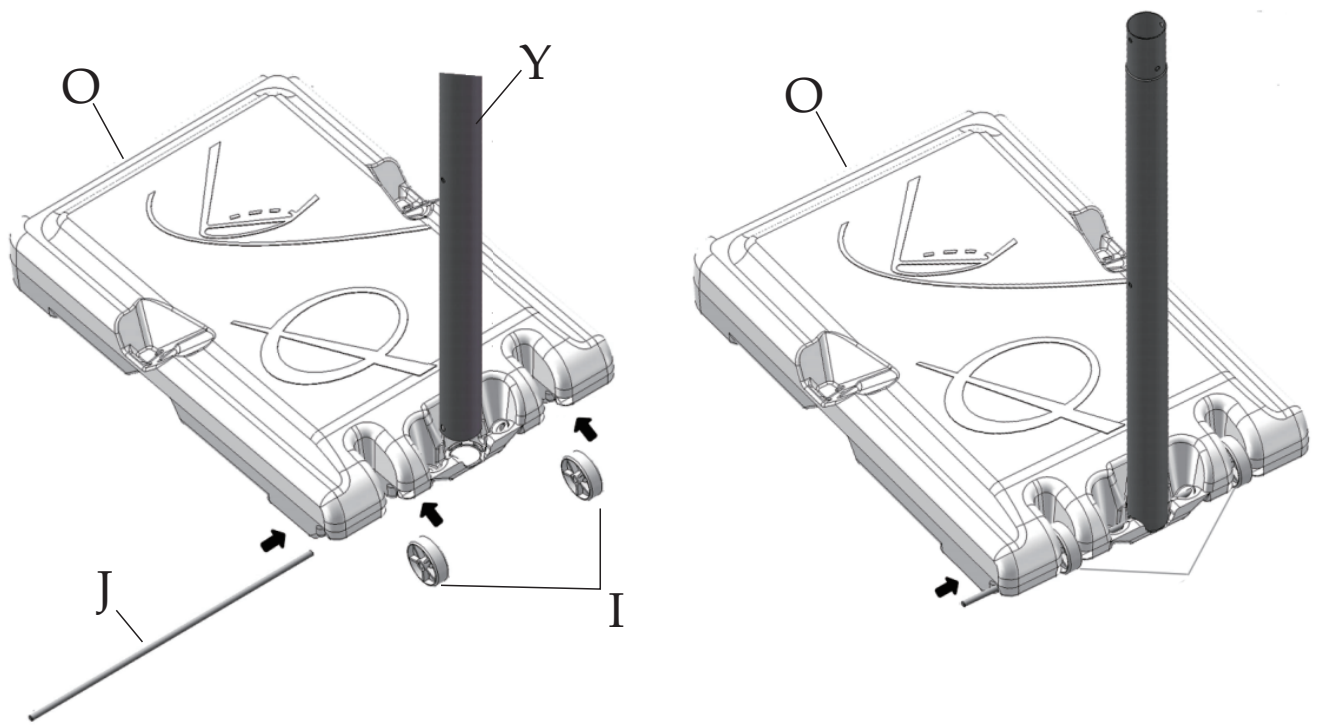
A *2	B *2	C *2	D *2	E *2	F *4	G *1
						
Spring screws M8*110mm	Bolt M8*40mm	Bolt M8*20mm	Bolt M8*16mm	Bolt M10*90mm	Bolt M10*80mm	Bolt M8*80mm
Connect ring, board and Board Bracket	Connect ring, board and Board Bracket	Connect base and Pole Brace	Connect board and Board Bracket	Connect Top Pole and Board Bracket	Connect Top Pole, Middle Pole and Bottom Pole	Connect Bottom Pole and Pole Brace

H *2 Pole Brace	I *2 Wheel	J *1 Wheel Shaft	K *1 Board Bracket
			

L *1 Ring	M *1 Net	N *1 Backboard	O *1 Base
			

W *1 Top Pole	X *1 Middle Pole	Y *1 Bottom Pole
		

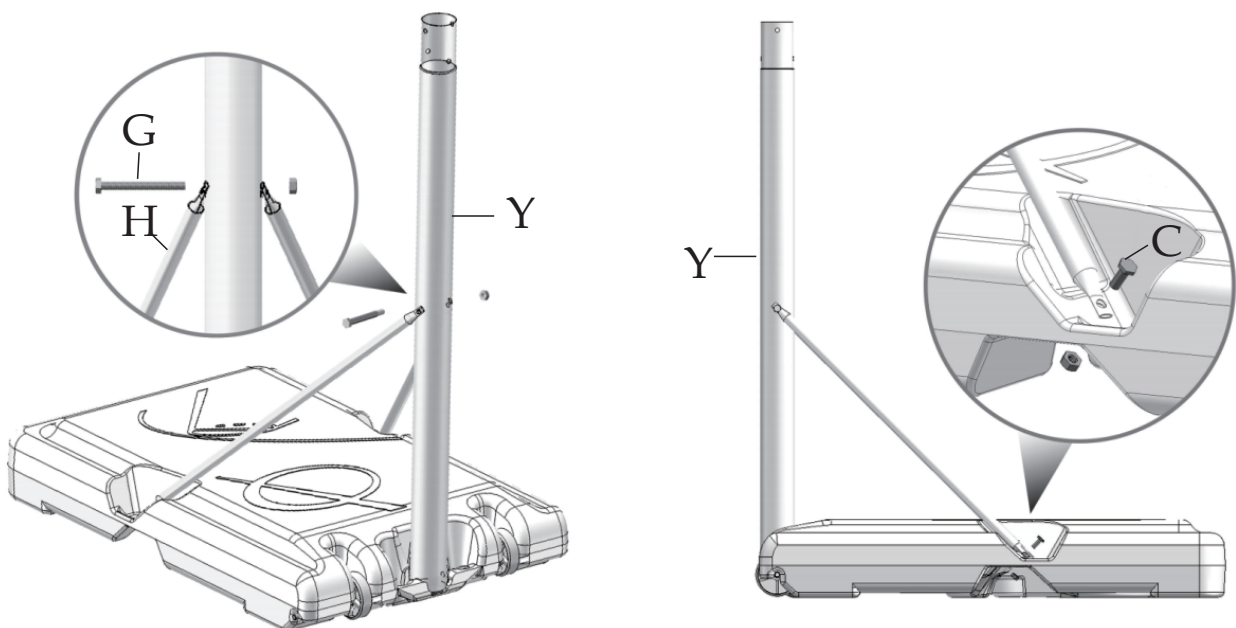
Step 1



Install lower pipe, wheel pin and wheel:

As shown, place the base(O) on a chosen playing ground, the surface beneath the base should be horizontal. Insert the wheel shaft(J) into wheel(I), base(O) and end of bottom pole (Y) orderly.

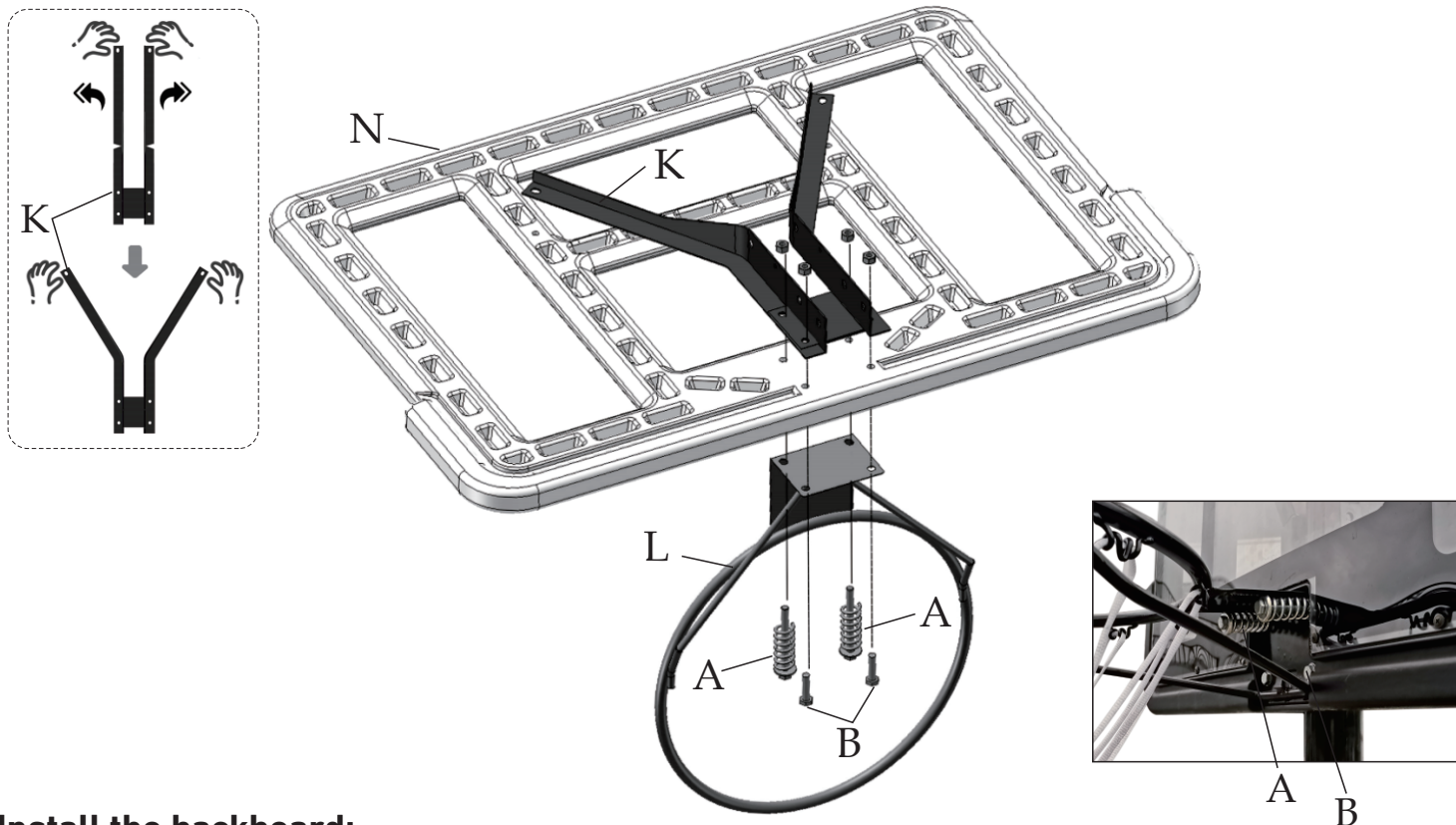
Step 2



Install lower pipe, base and base support:

As shown, fix one end of the pole braces(H) on bottom pole(Y) by bolt(G) Then fix another end of the pole braces(H) on base(O) by bolt(C).

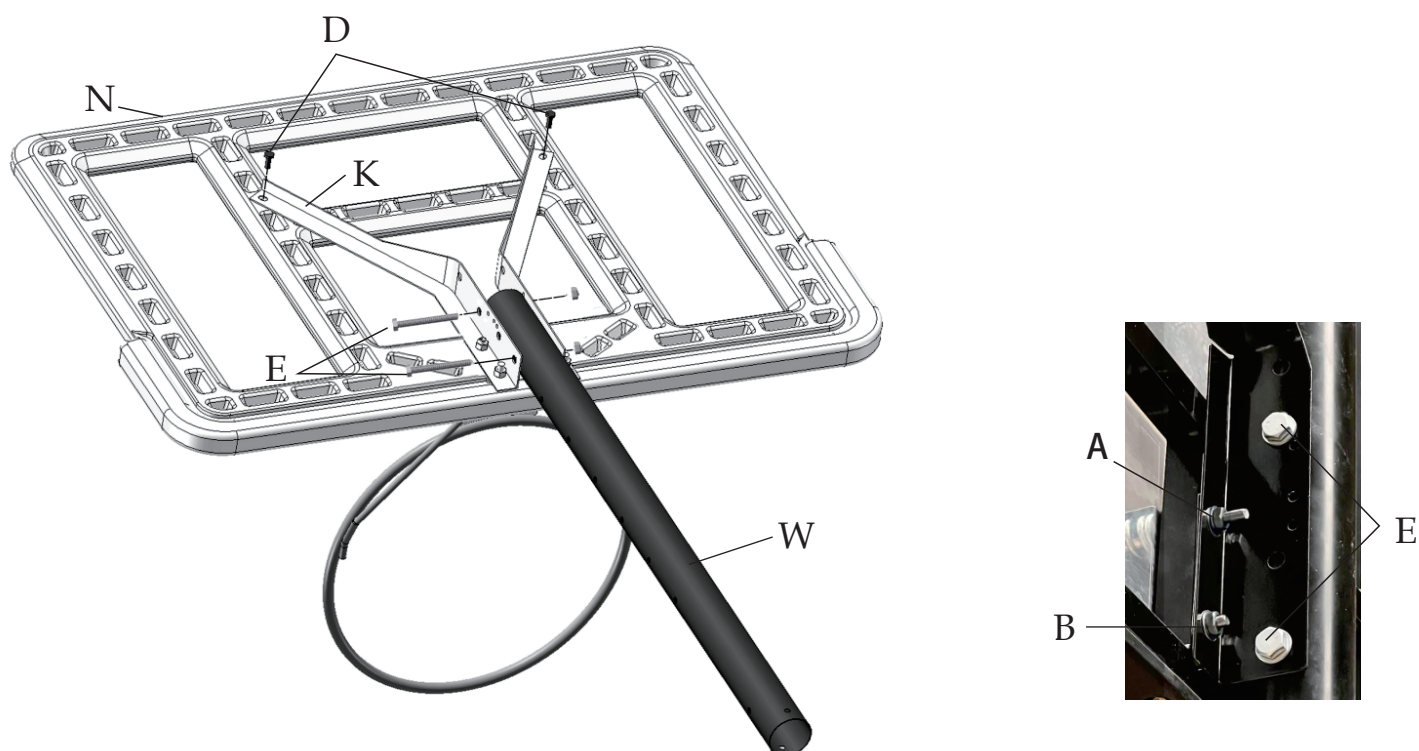
Step 3



Install the backboard:

As shown, please bend the board bracket(K) into a Y shape before installation. Fix ring(L) and board bracket(K) on backboard(N) by spring screws(A) and bolts(B).

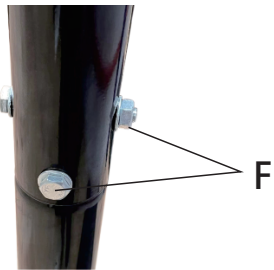
Step 4



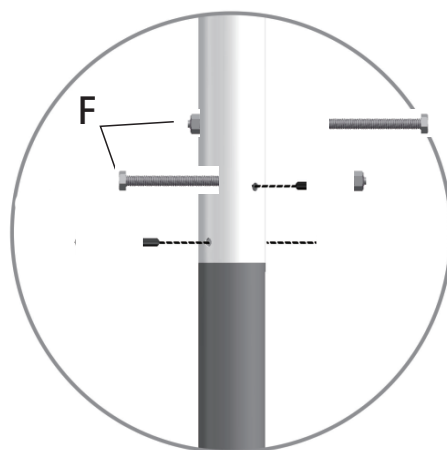
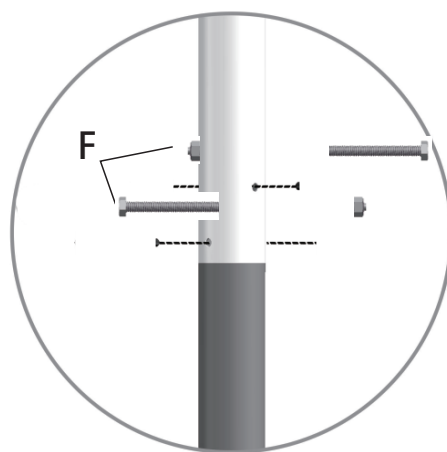
Install the backboard:

As shown, use bolts(D) to fix the top of board bracket(K) on the back of board(N) tightly. After that. Insert top pole(W) into board bracket(K), fix them by bolts(E).

Step 5



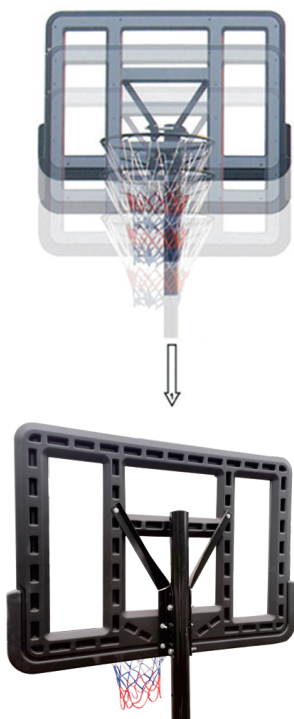
wxy tube connection mode



—W

—X

—Y

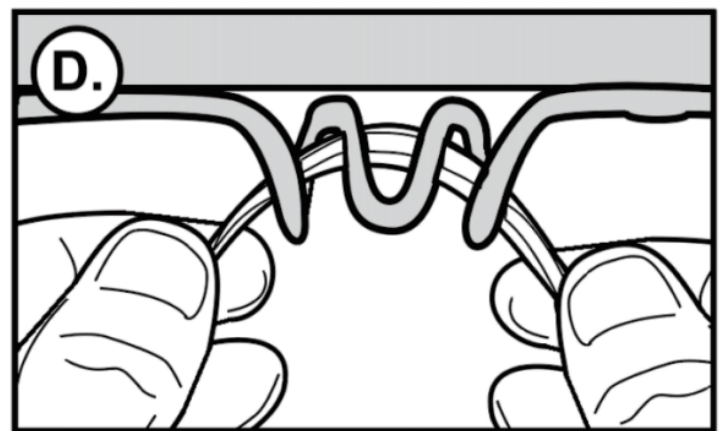
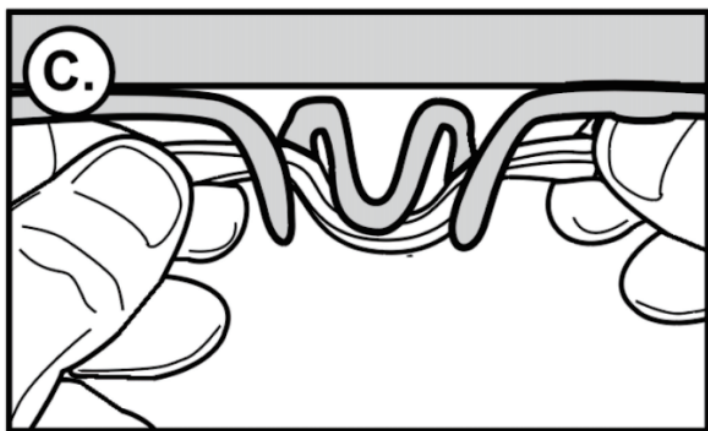
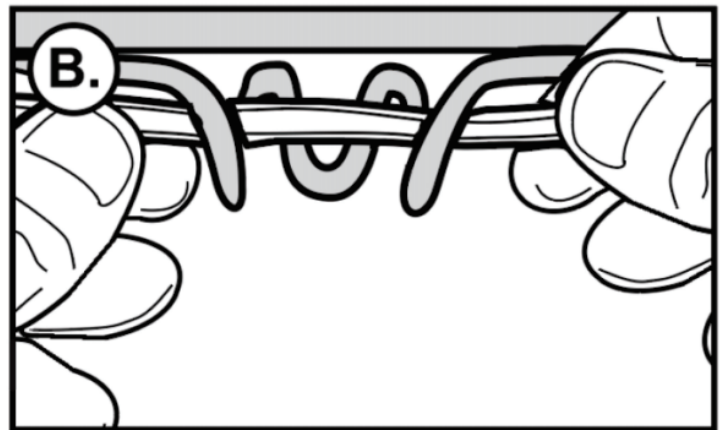
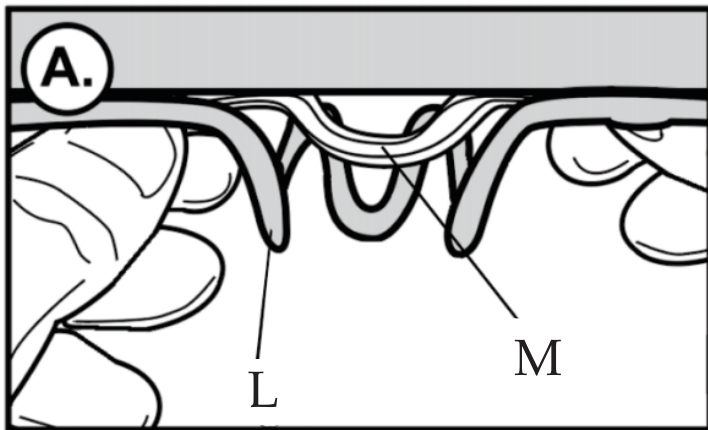


Adjust the height of the basketball frame by changing the bolts (E) through different screw holes on top pole(W)

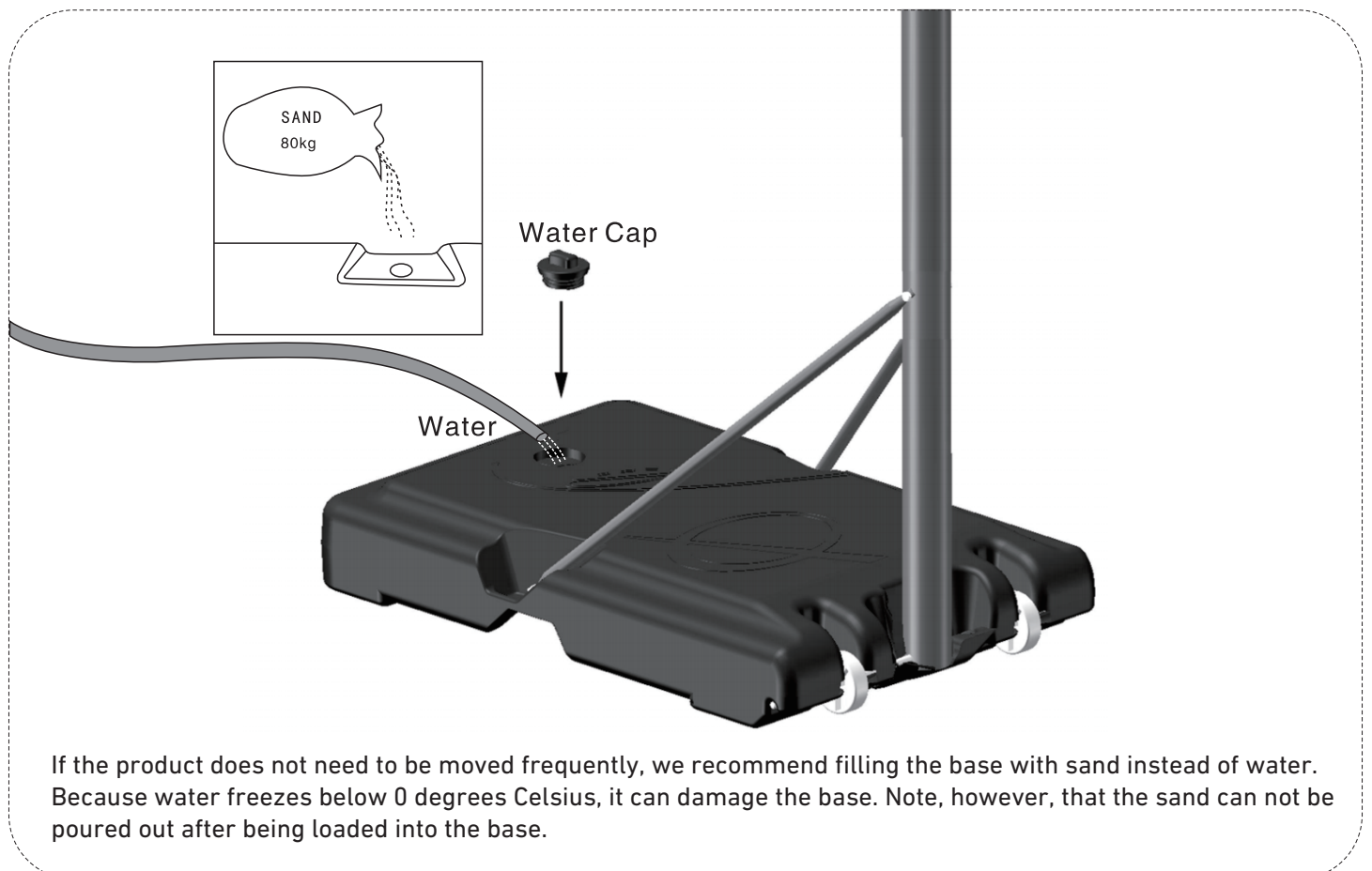
Mounting the base bracket:

As shown, fix top pole(W) and middle pole(X) together by 2 pcs of bolt (F) . After that, fix middle pole(X) and bottom pole(Y)together by 2 pcs bolt (F).

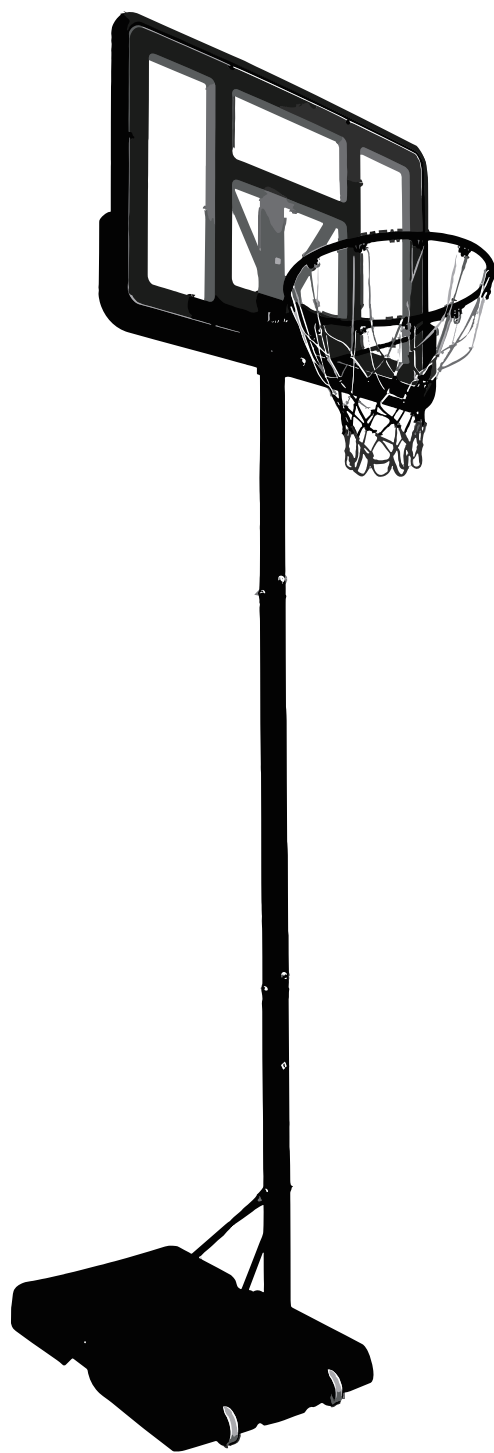
Step 6



Install the ball net.



If the product does not need to be moved frequently, we recommend filling the base with sand instead of water. Because water freezes below 0 degrees Celsius, it can damage the base. Note, however, that the sand can not be poured out after being loaded into the base.



Technical Support

(909)637-7665 | (909)637-7593

Other Info

HJ-Customer-Service@outlook.com

Thank you for choosing this product. We strive to provide you with the best quality products and service in the industry. Should you have any issues, please don't hesitate to contact us.