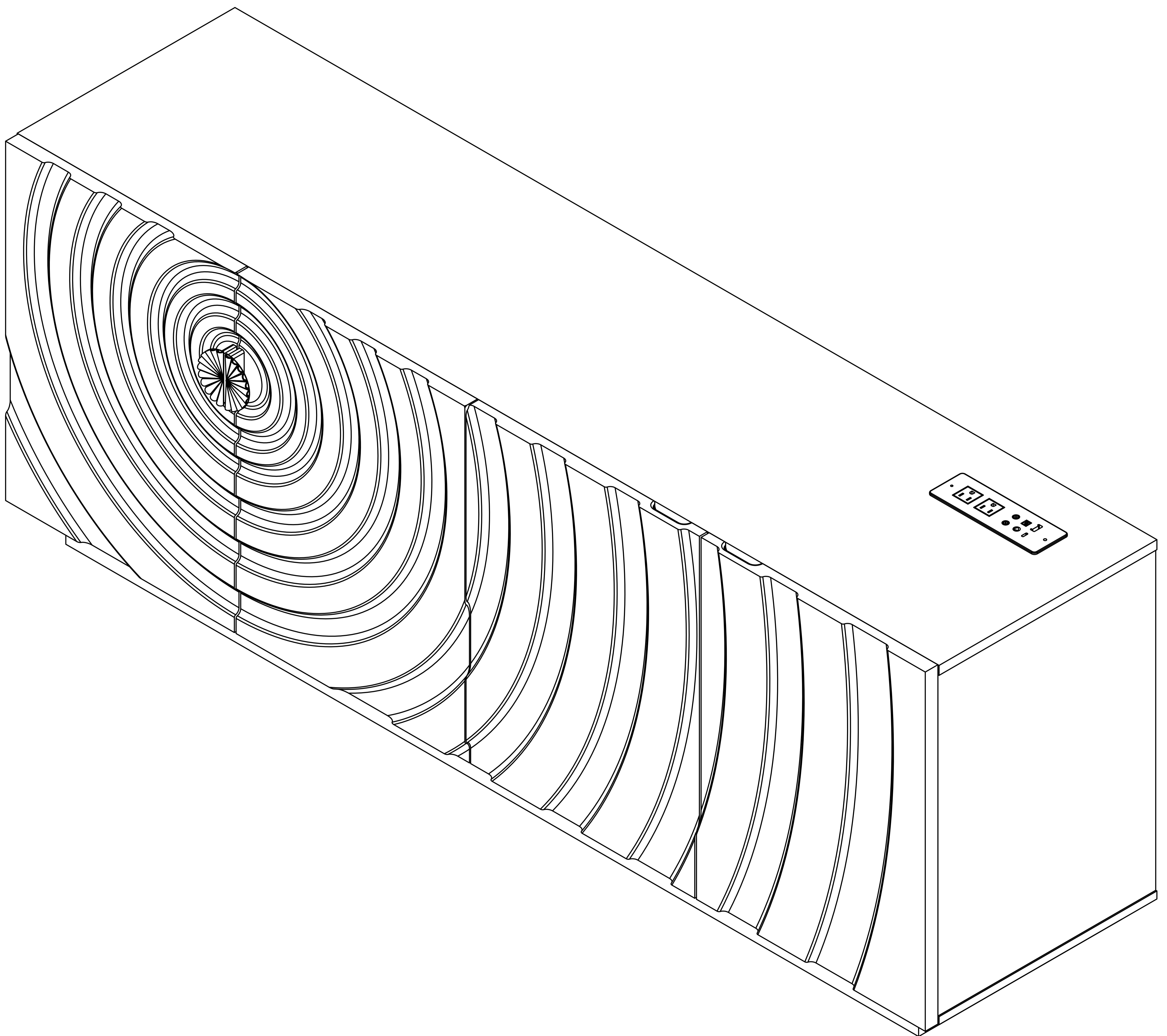
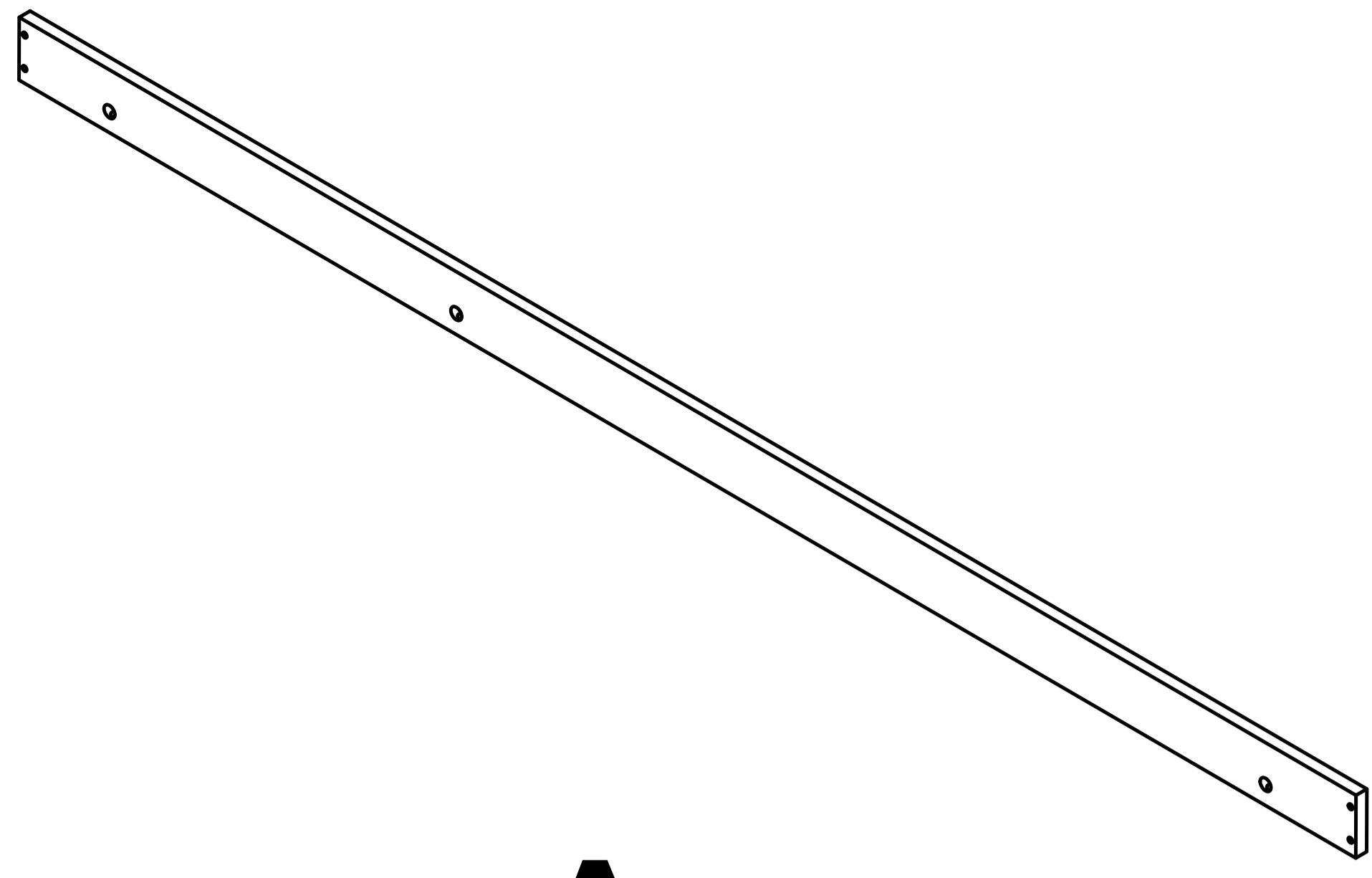
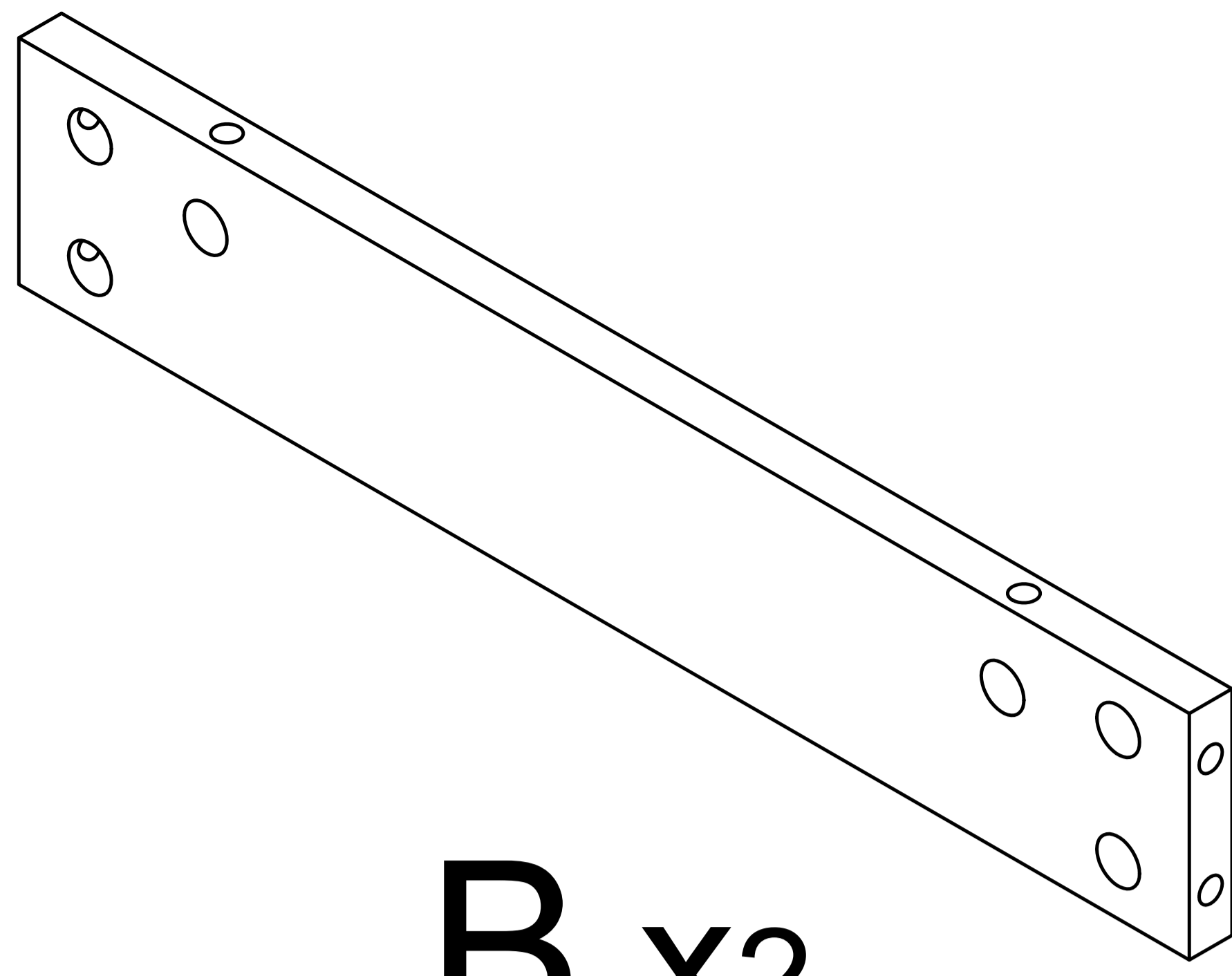


Product Installation Instructions

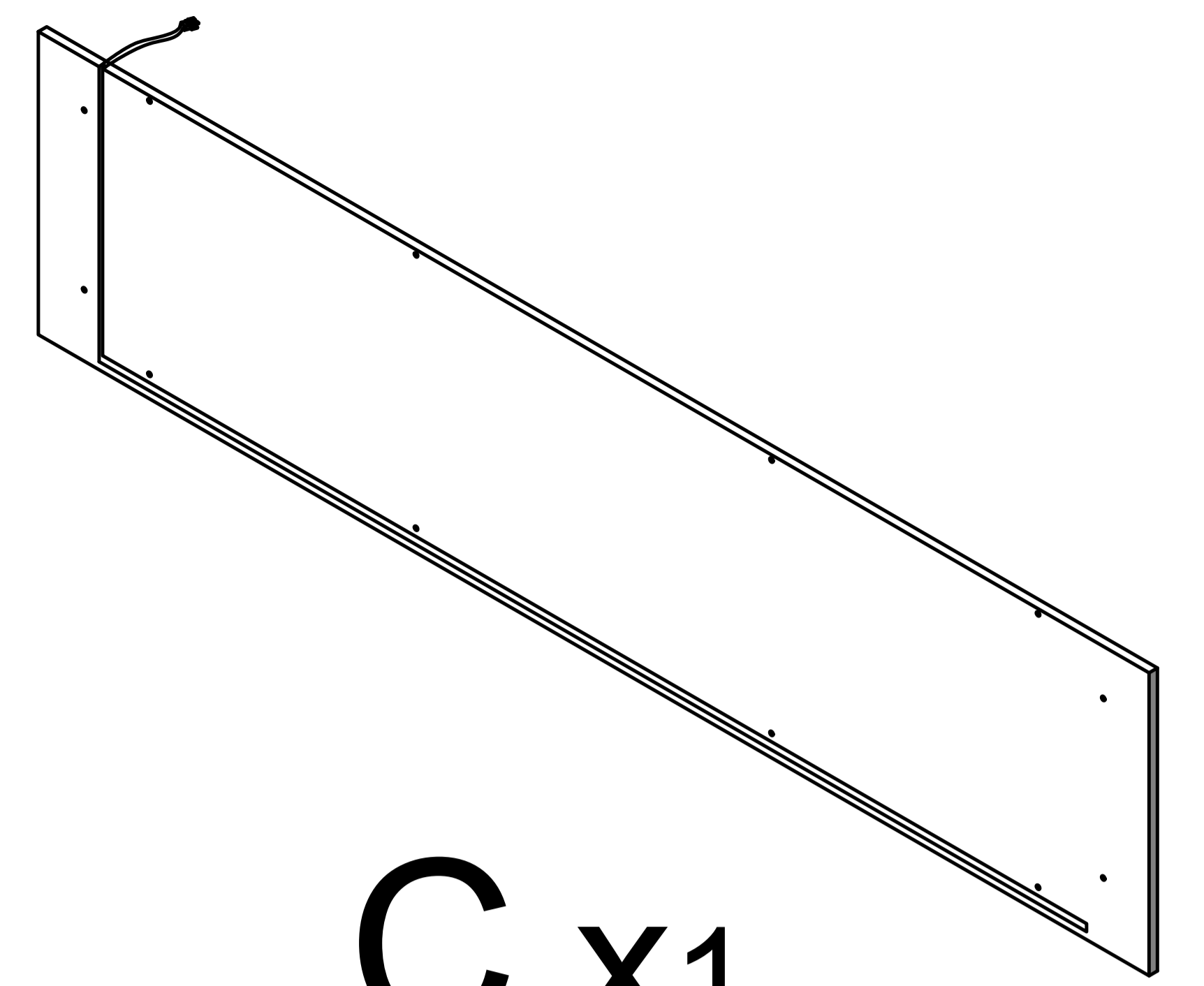




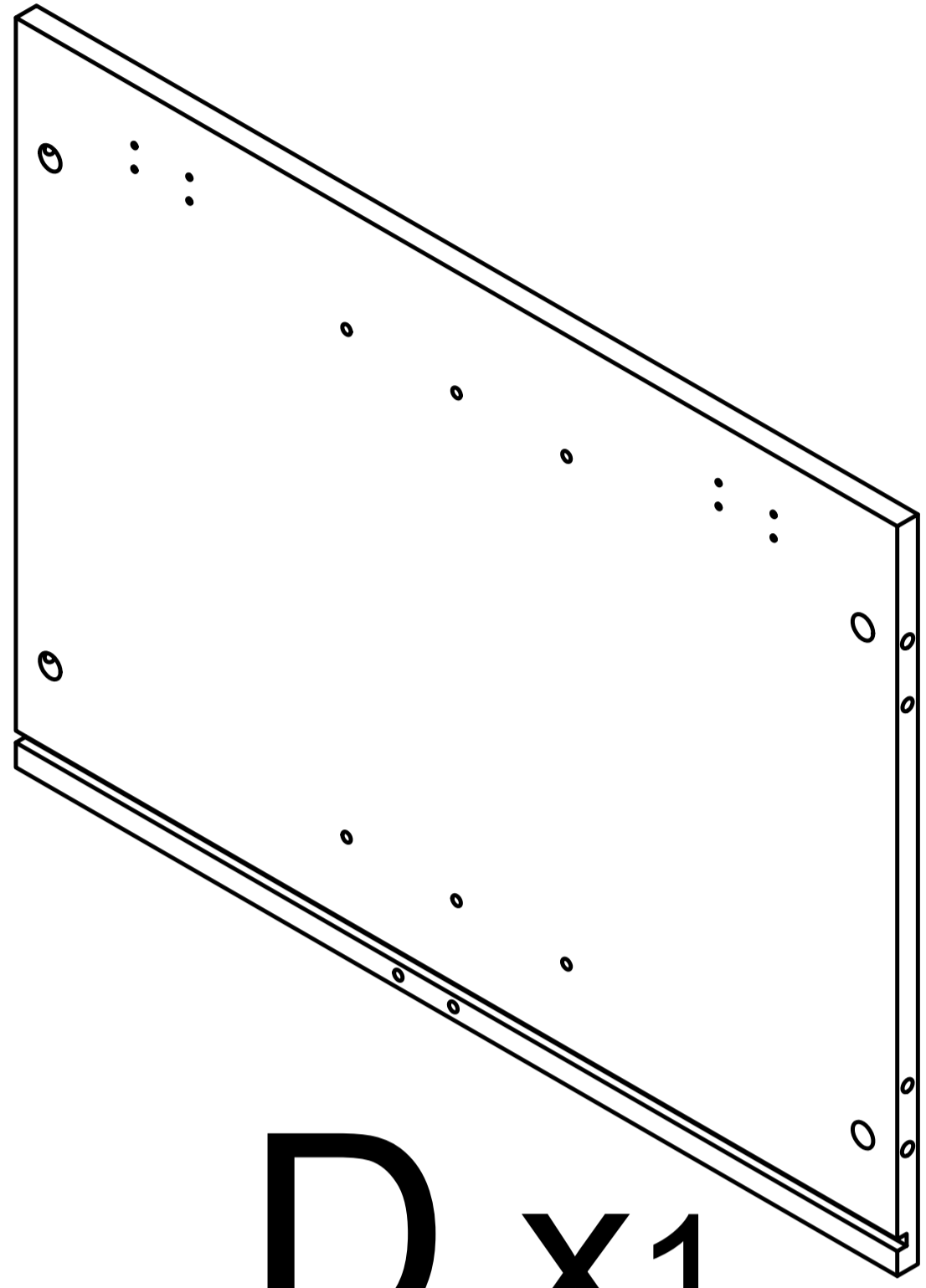
A x2



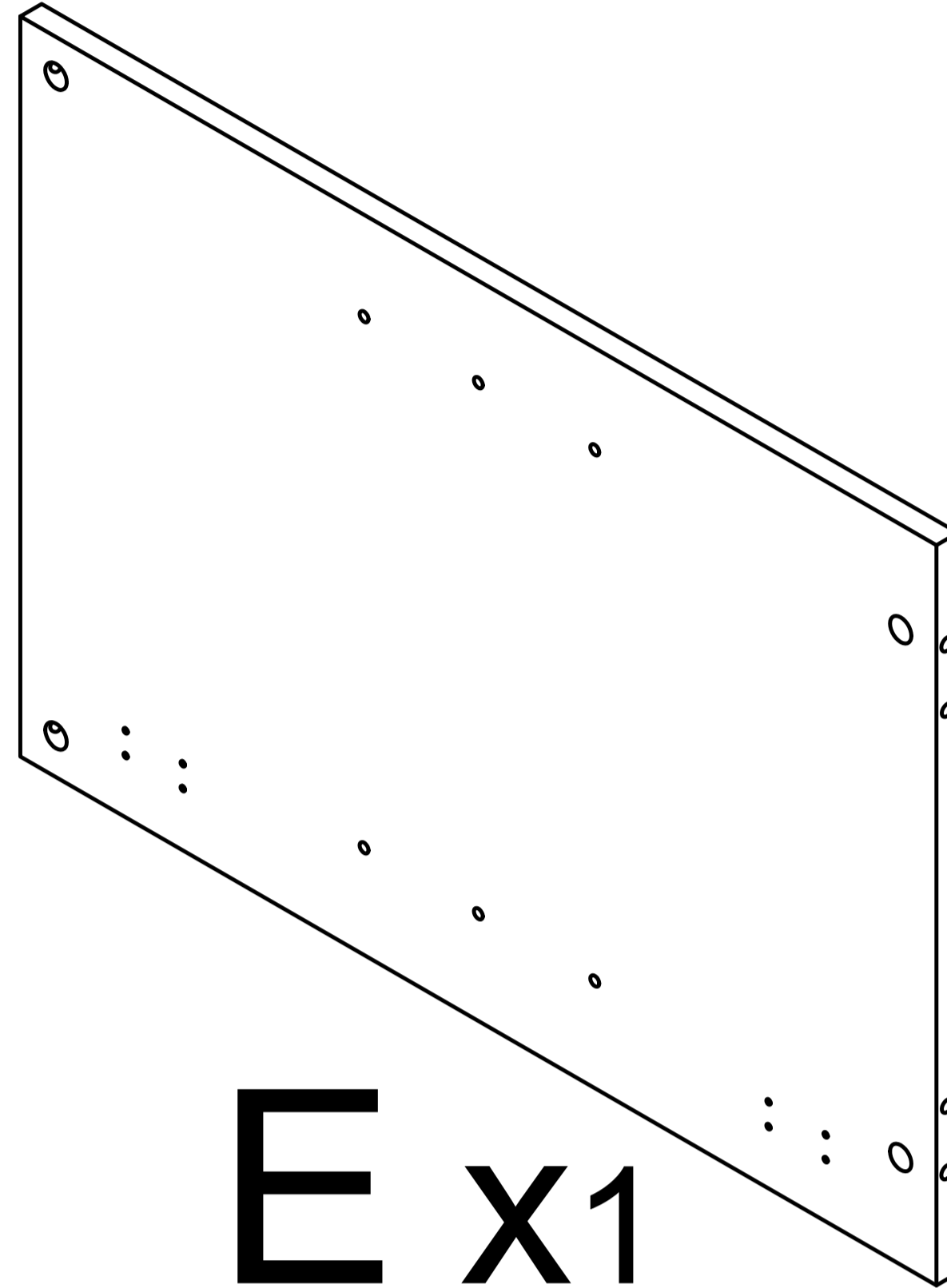
B x2



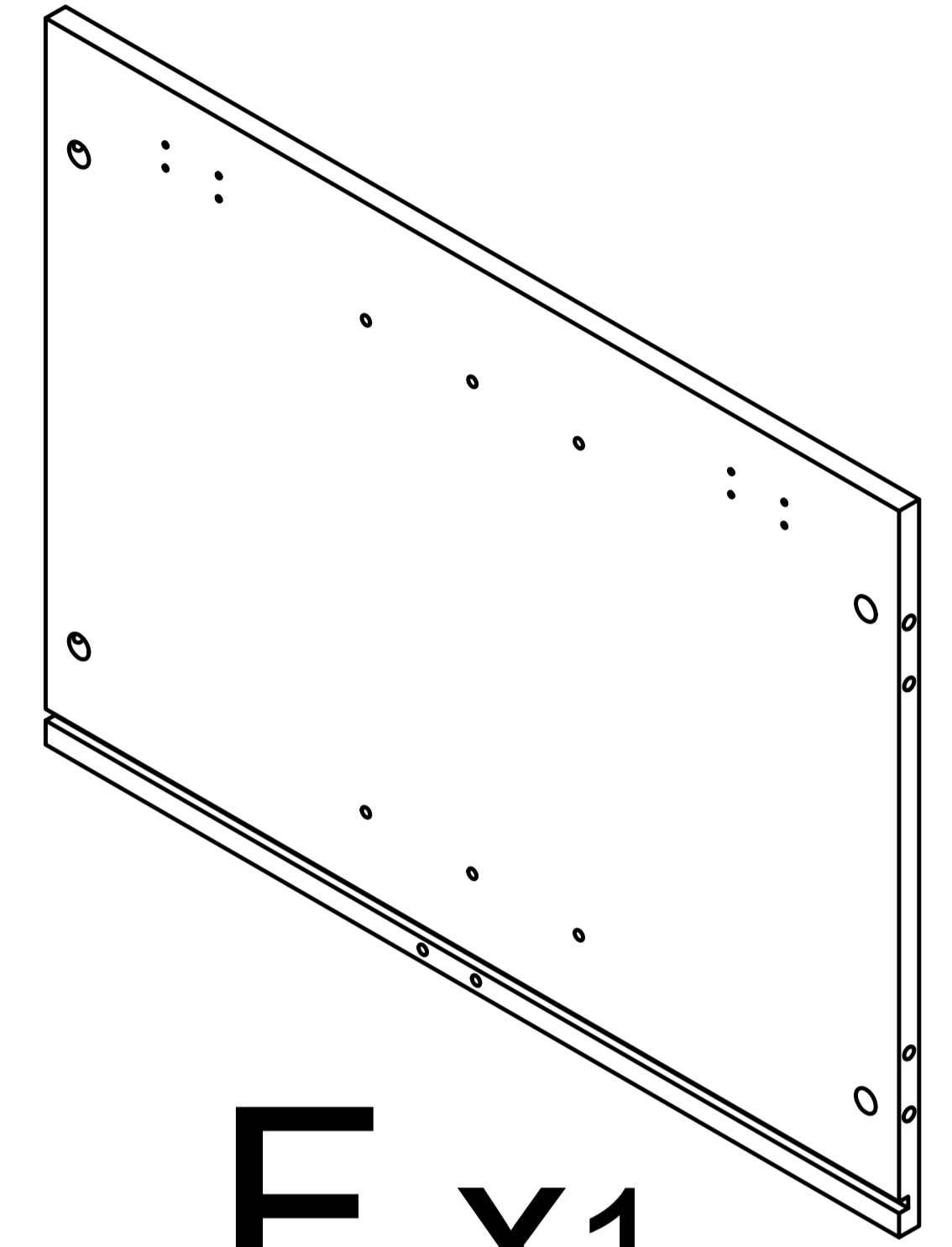
C x1



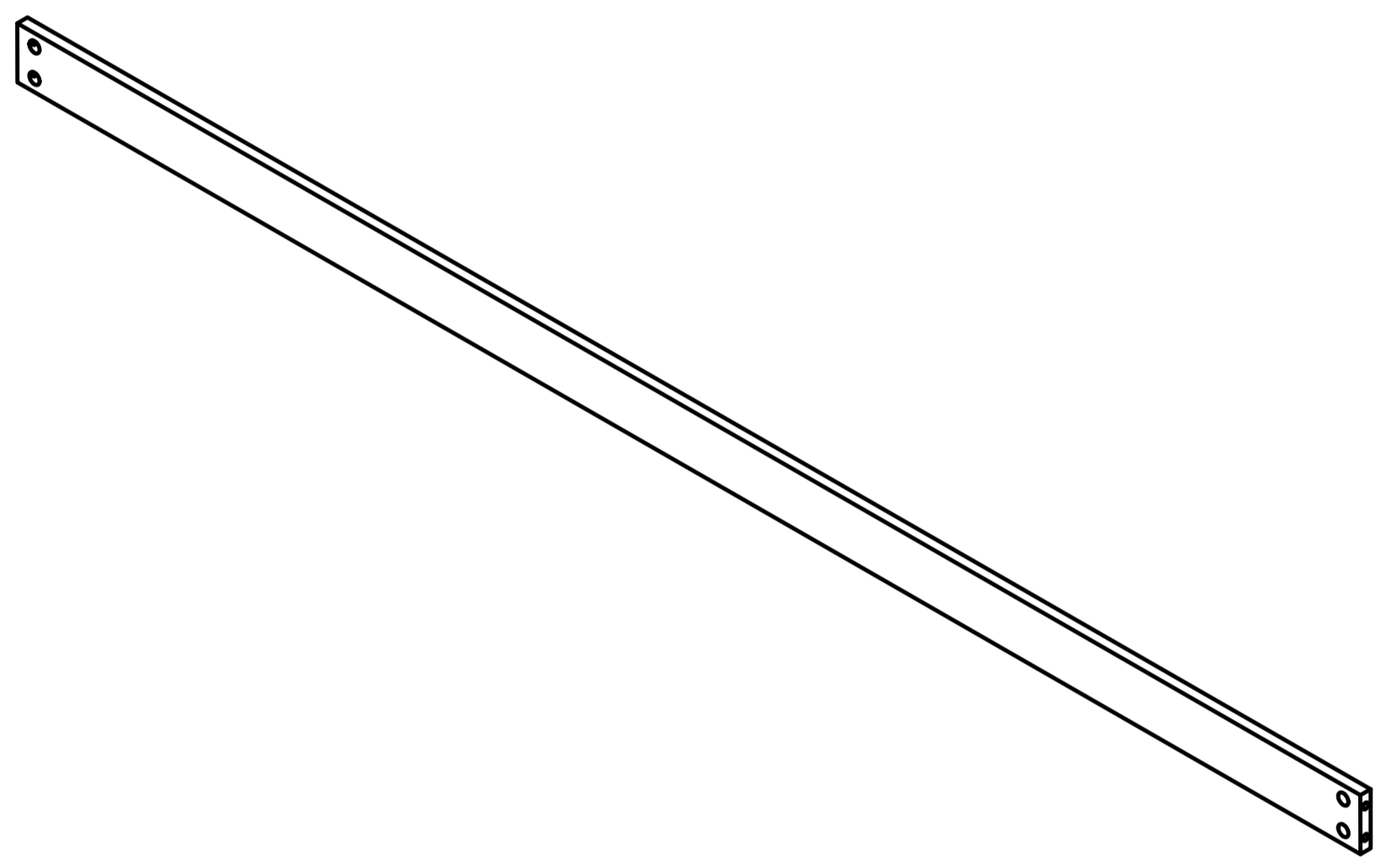
D x1



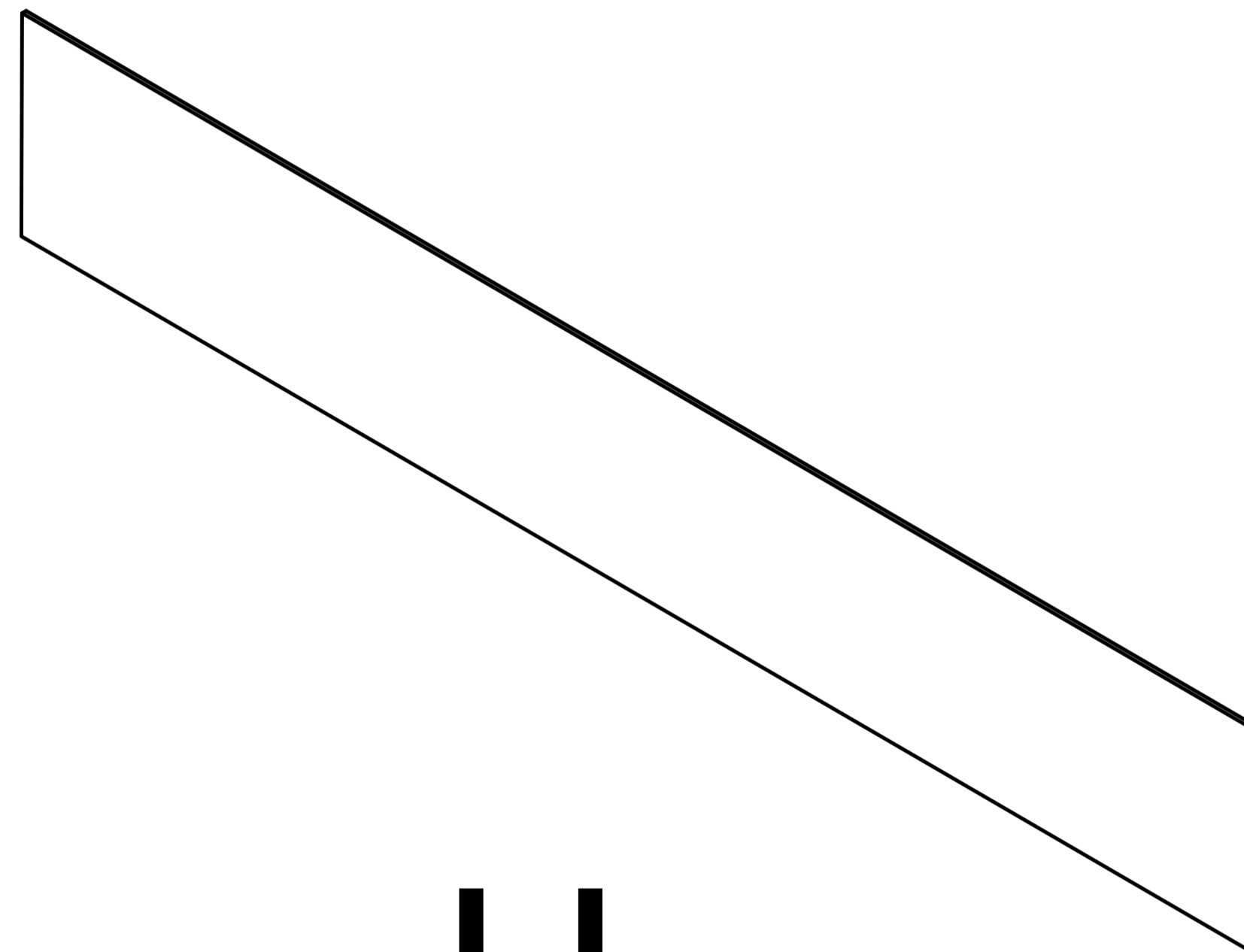
E x1



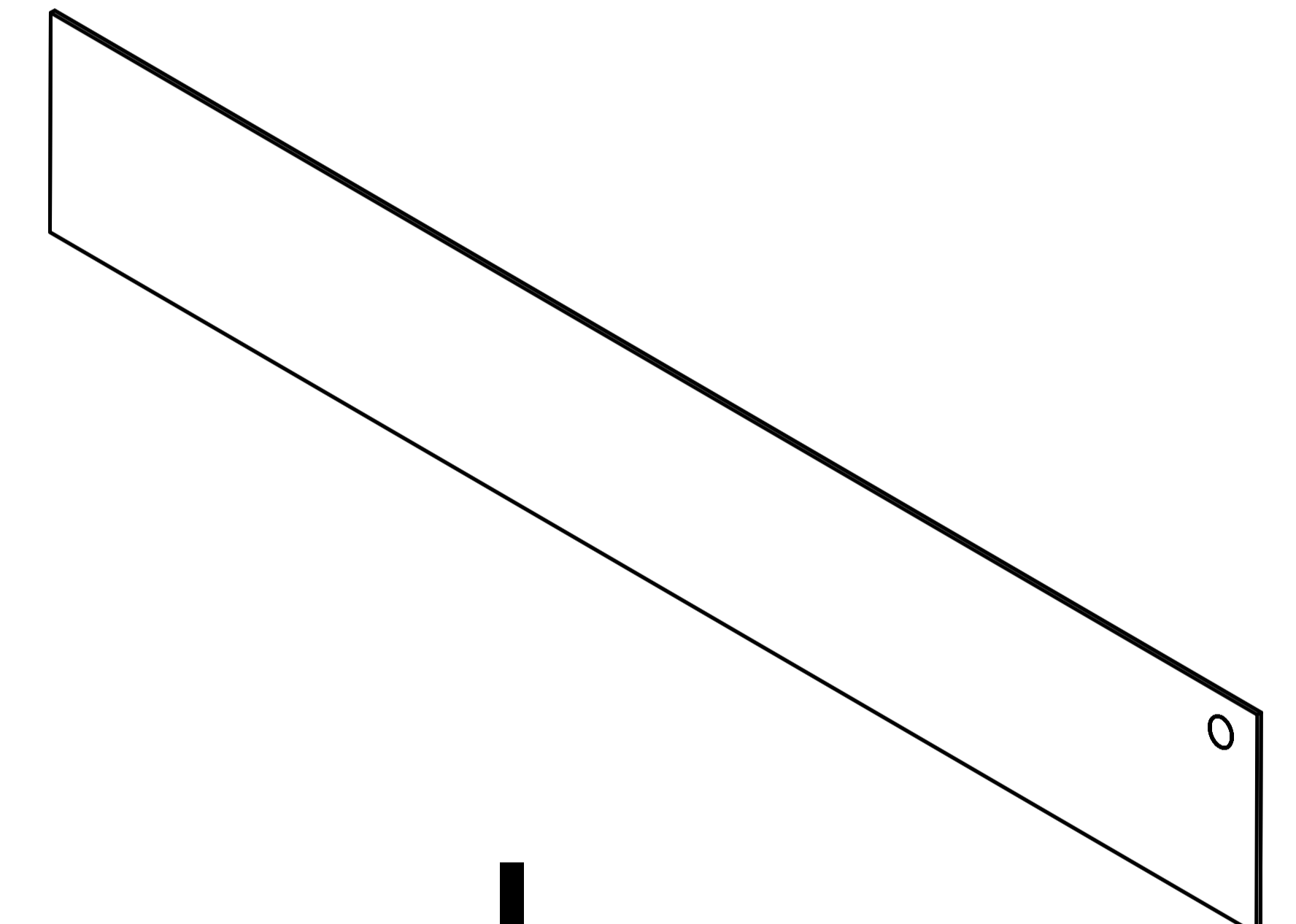
F x1



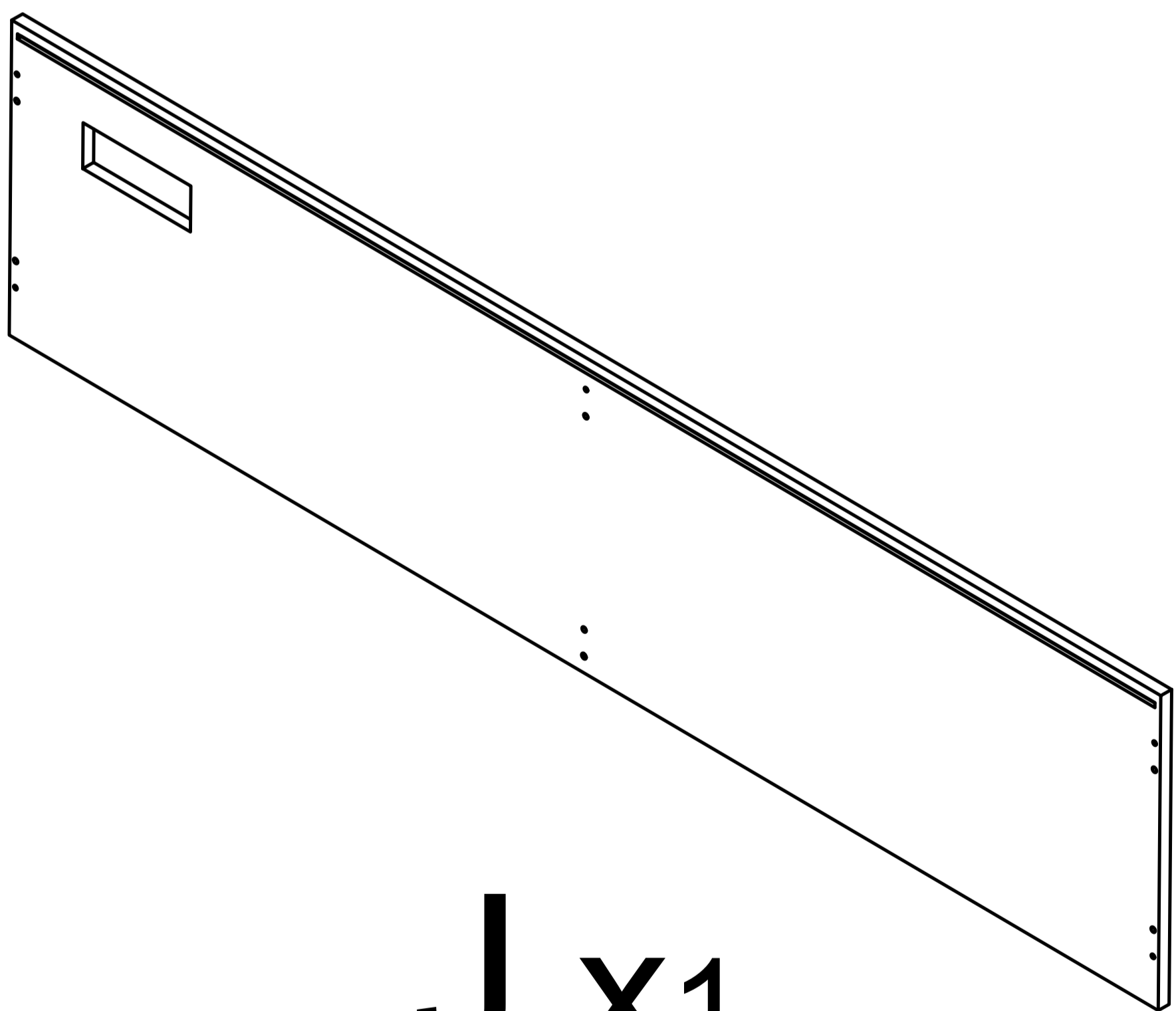
G x1



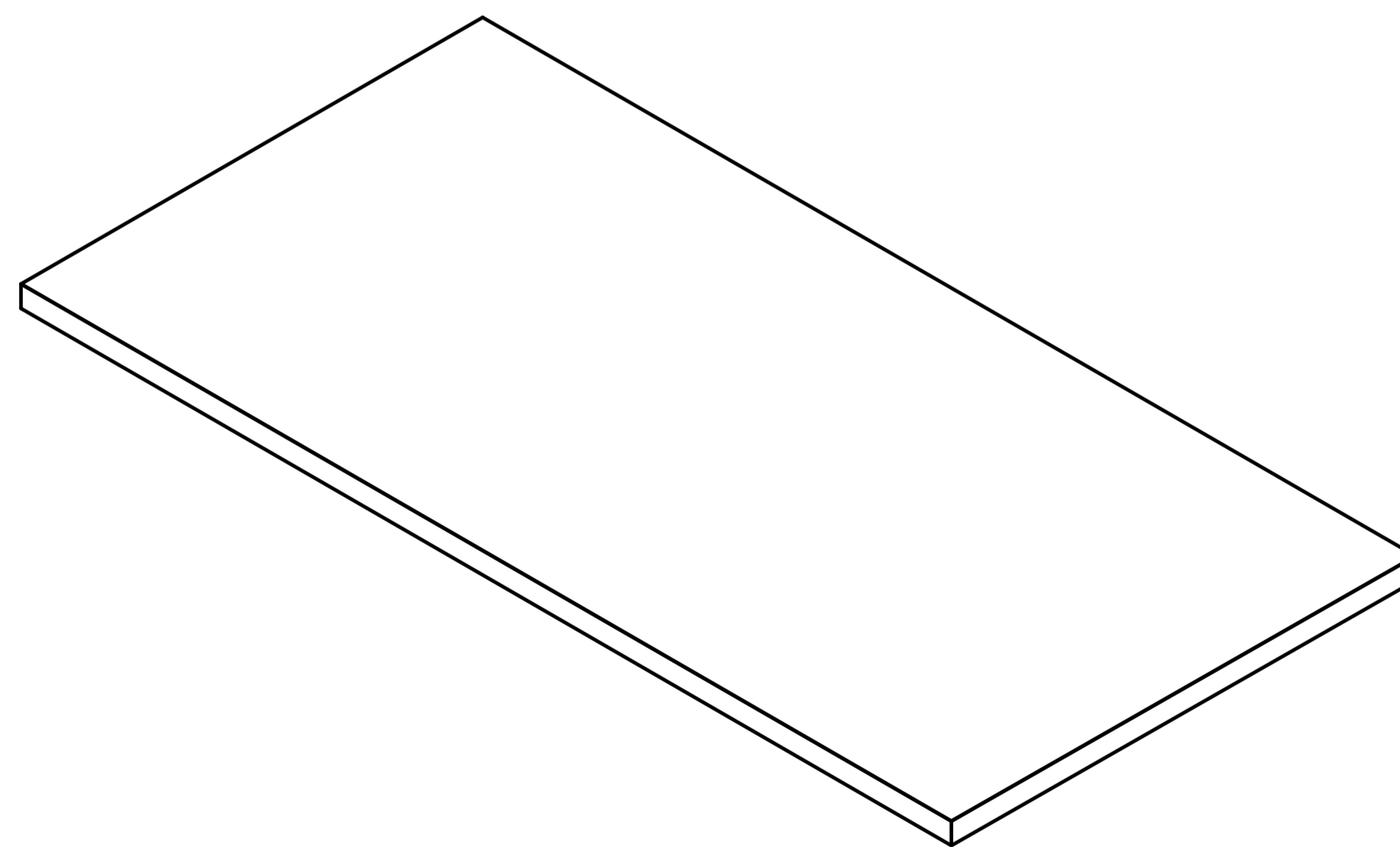
H x1



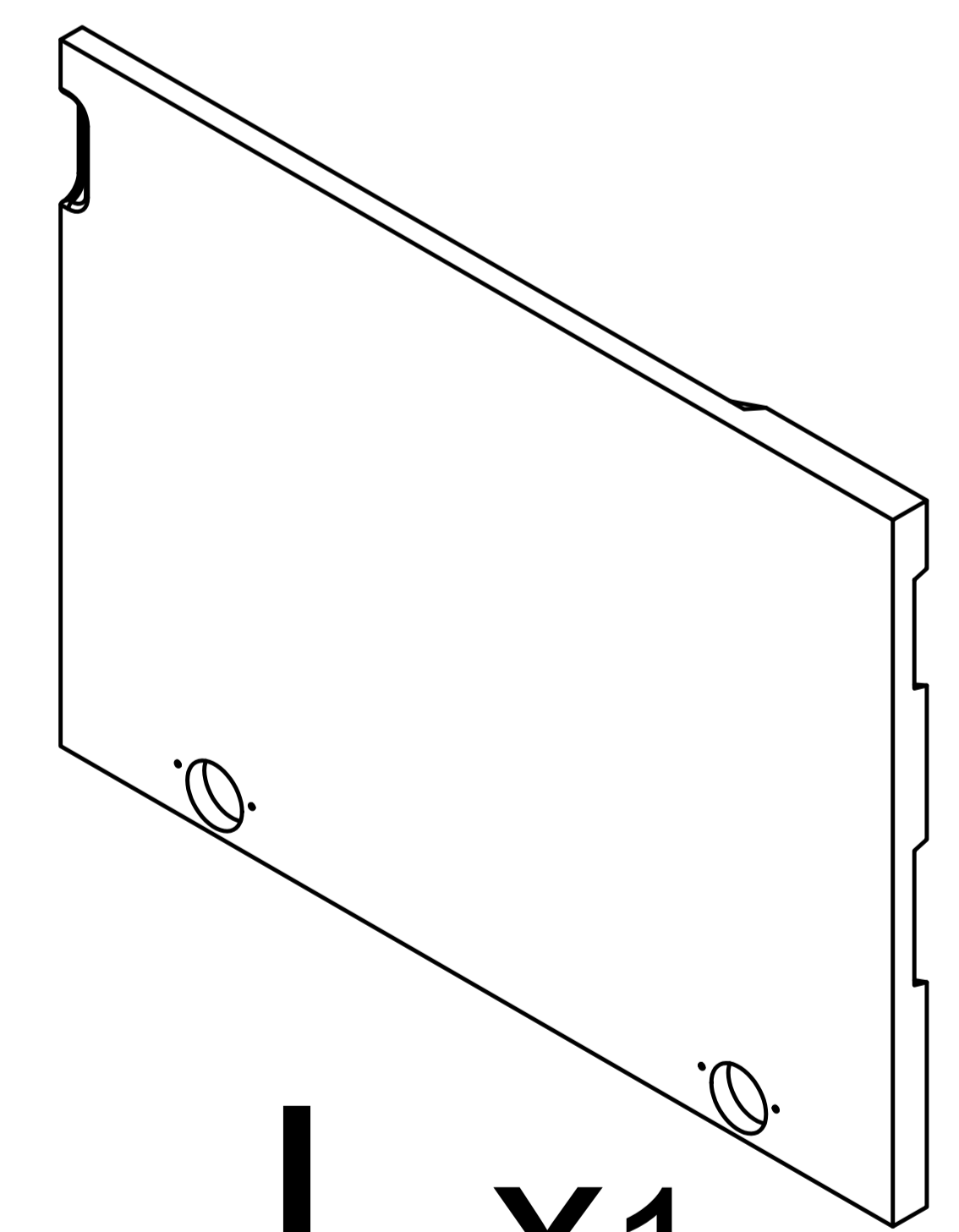
I x1



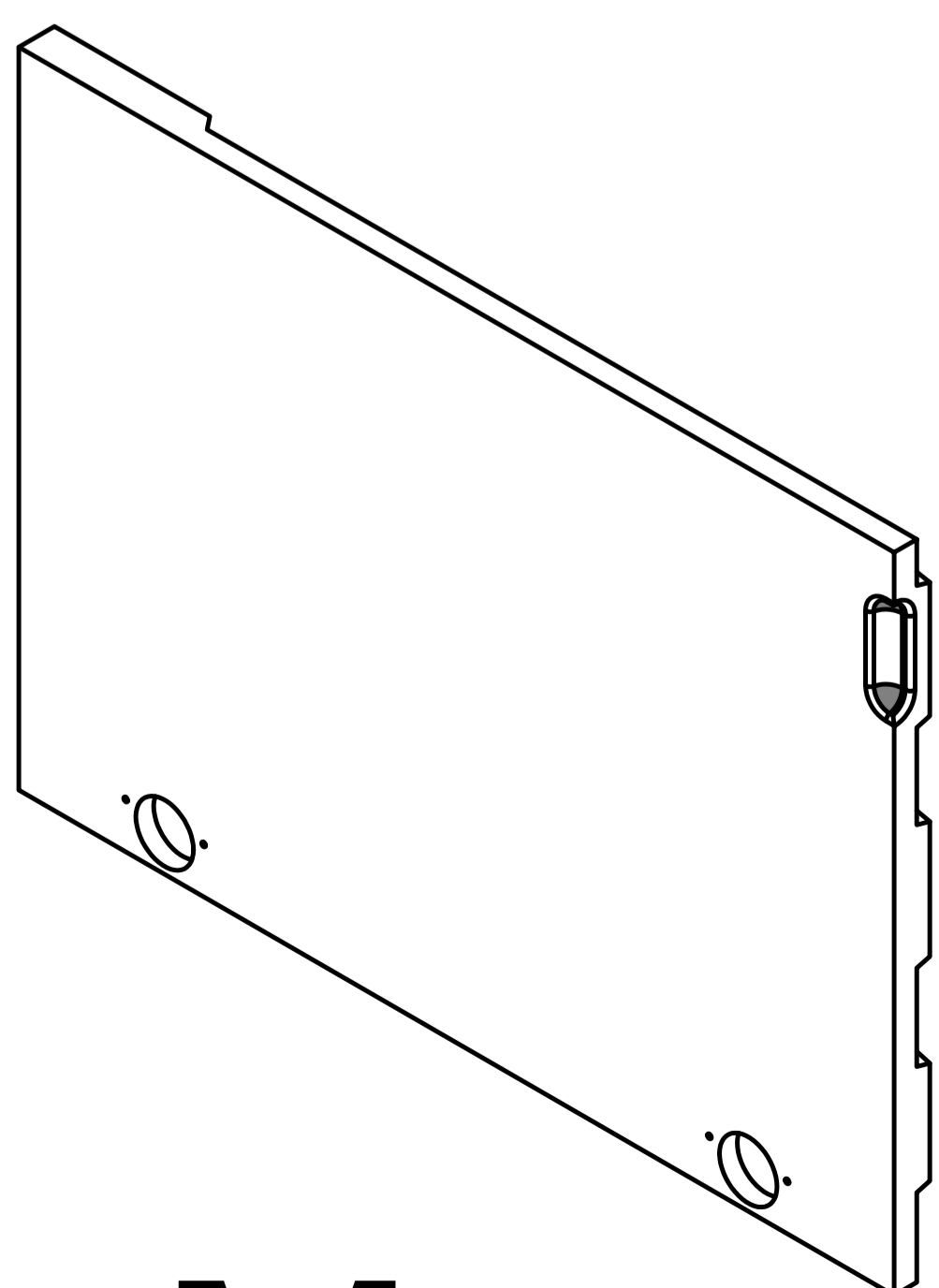
J x1



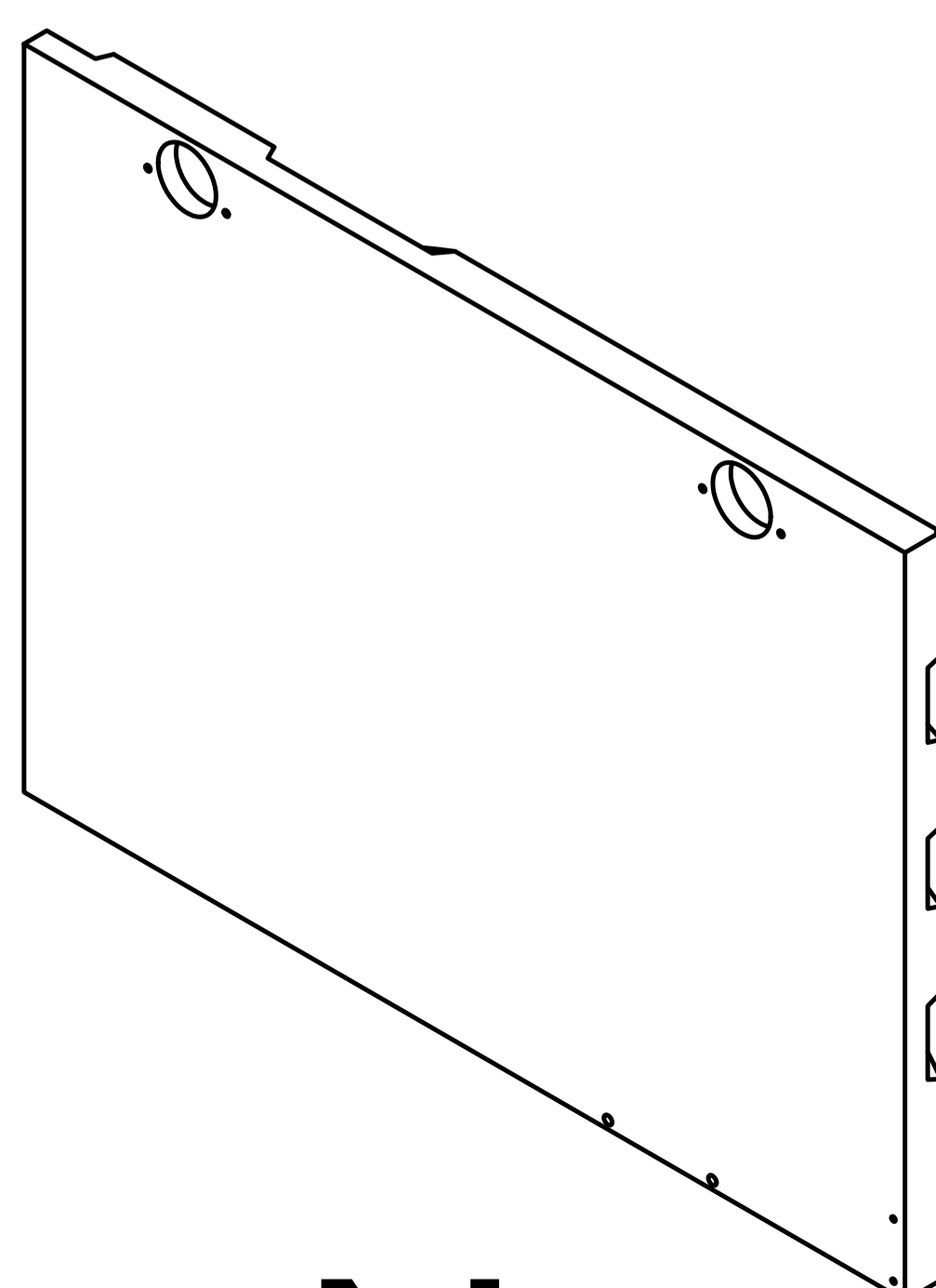
K x2



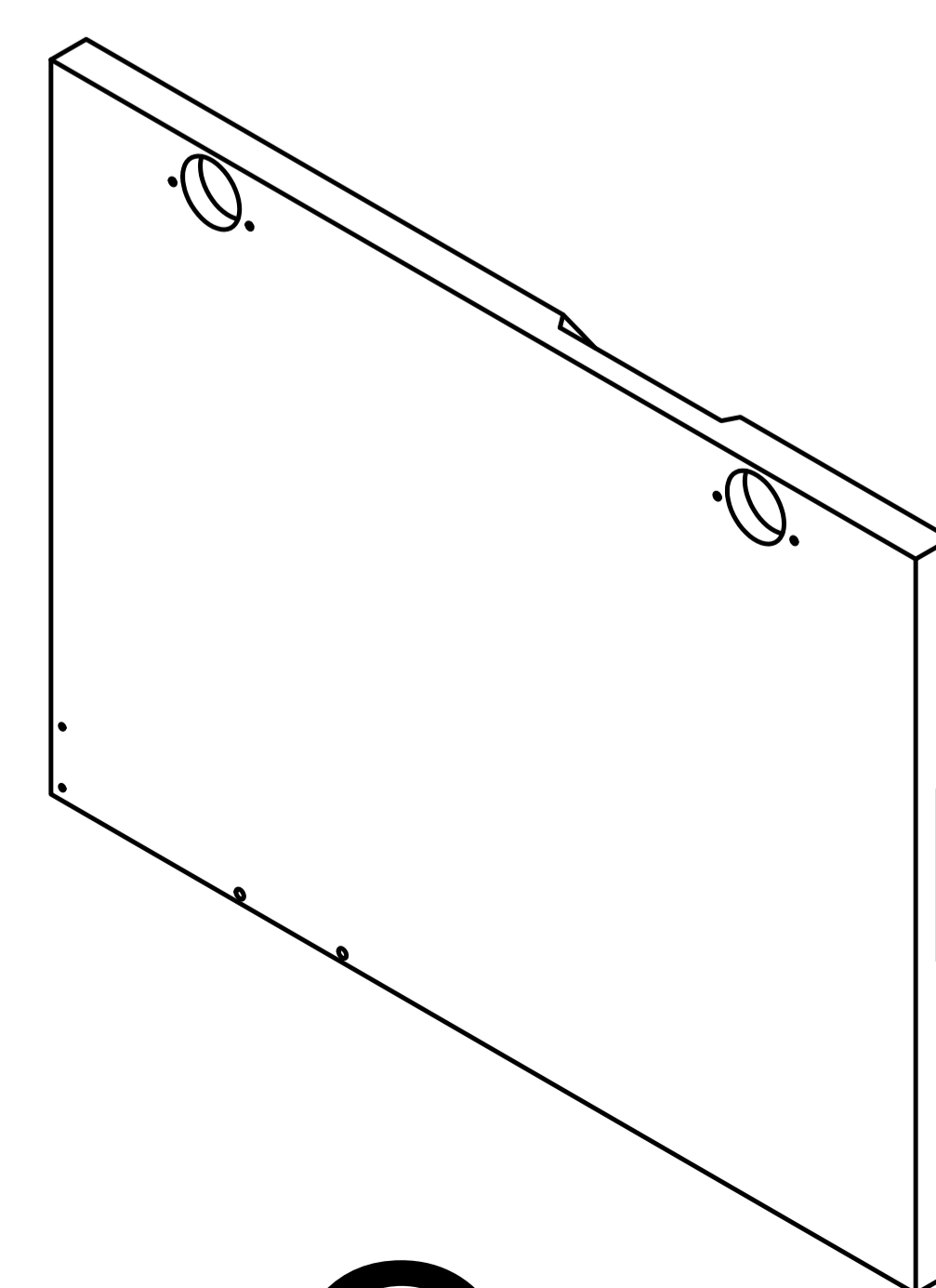
L x1



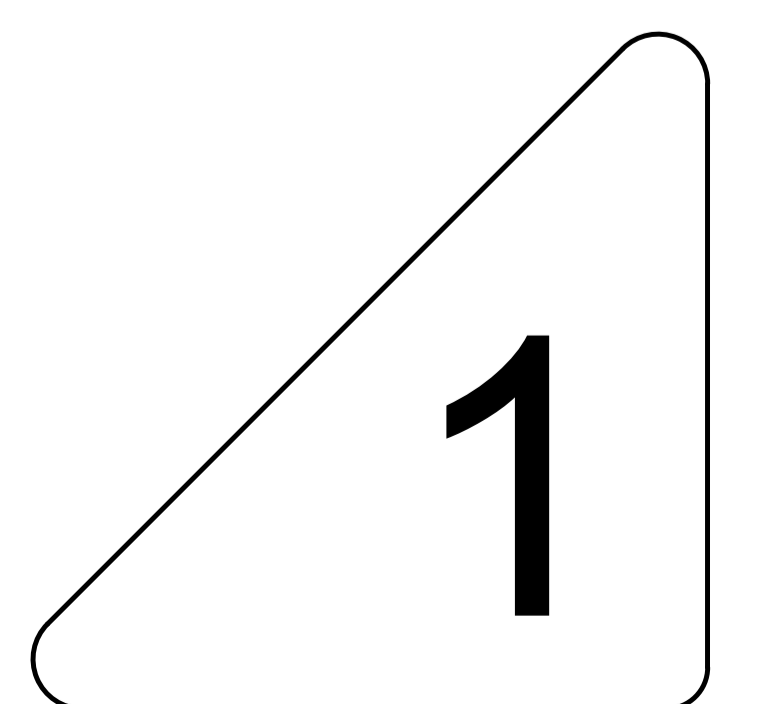
M x1



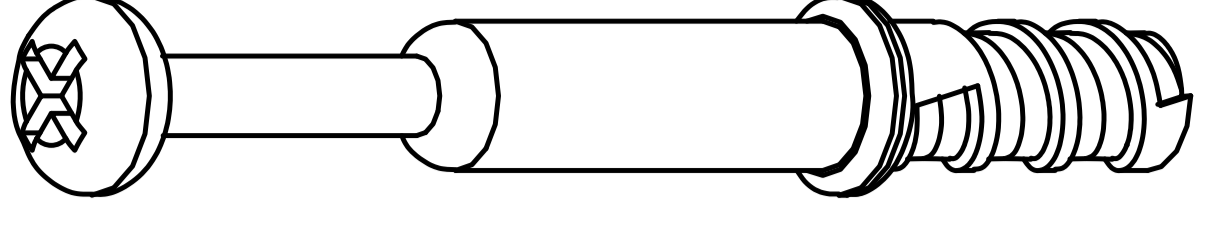
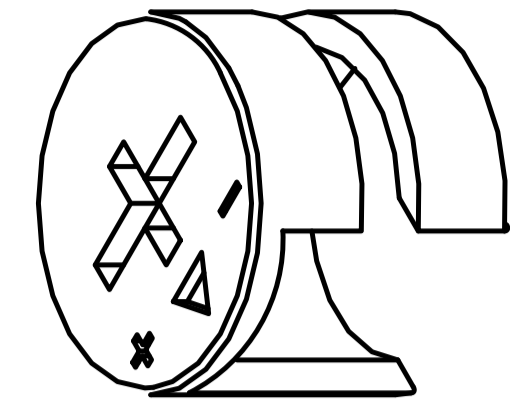
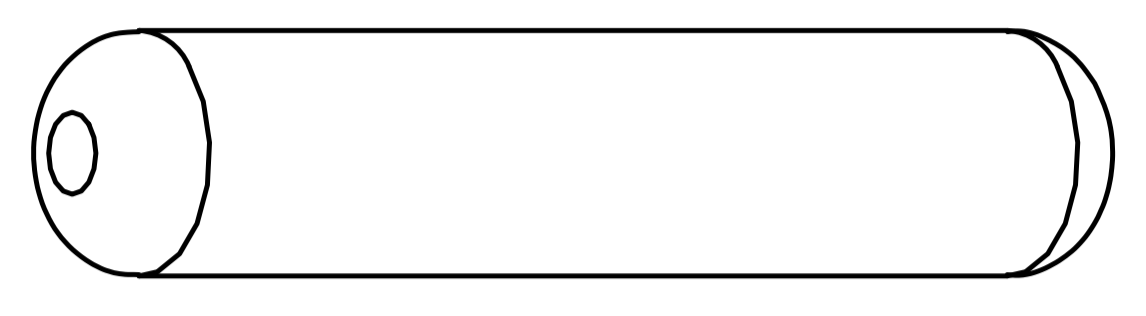
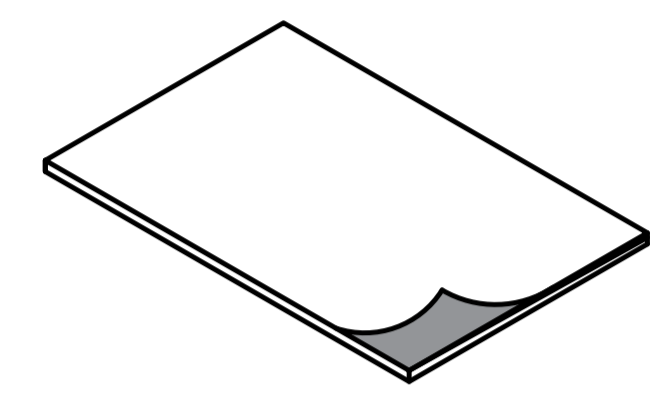
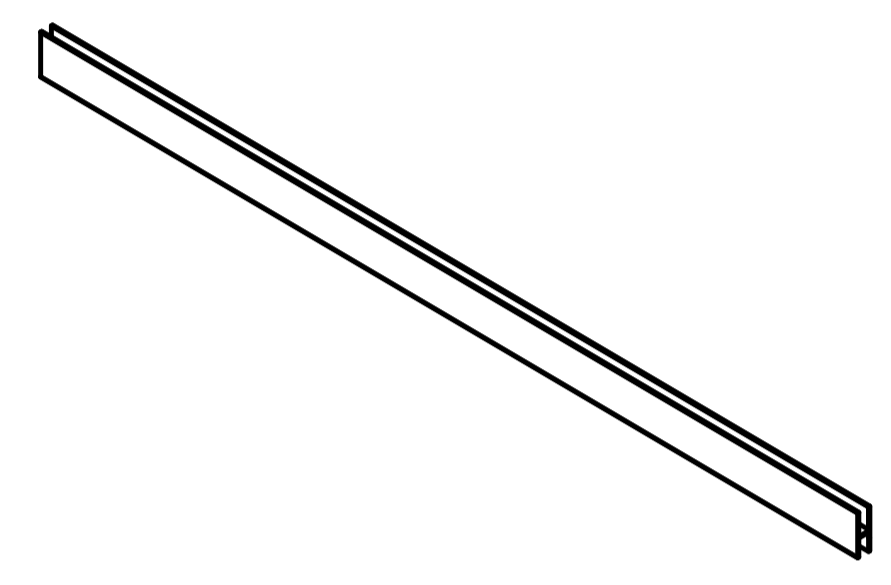
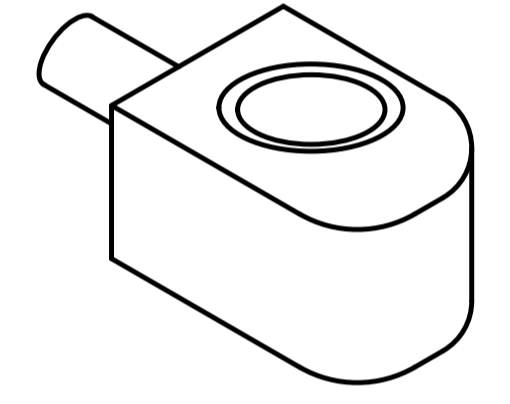
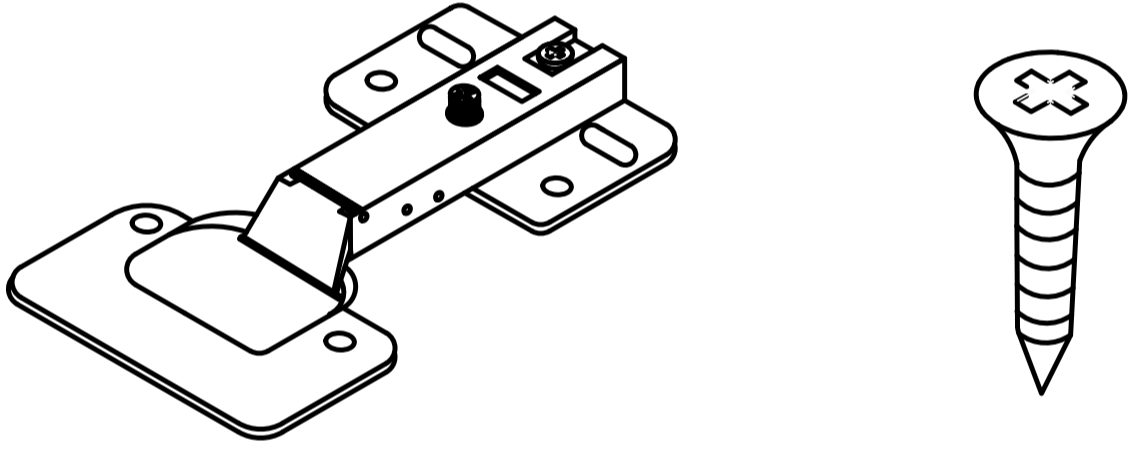
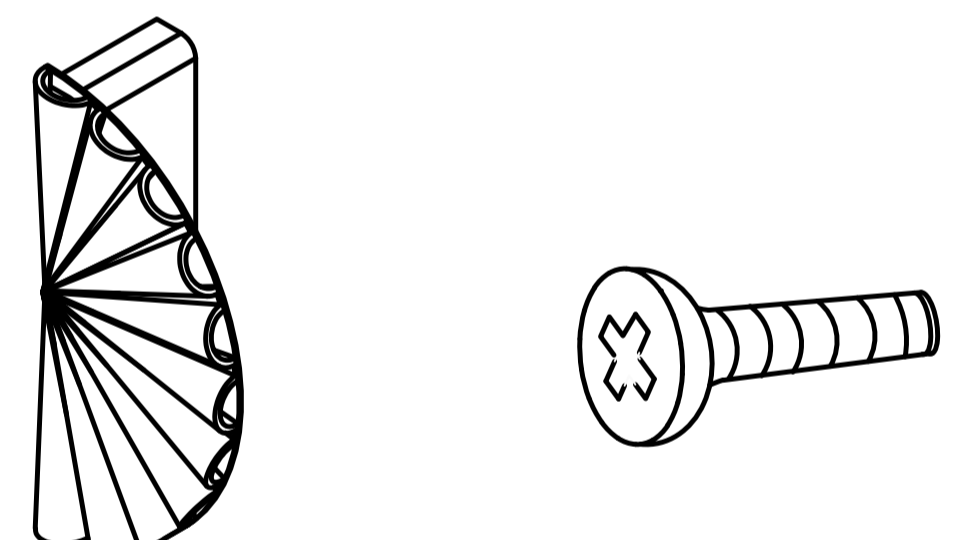
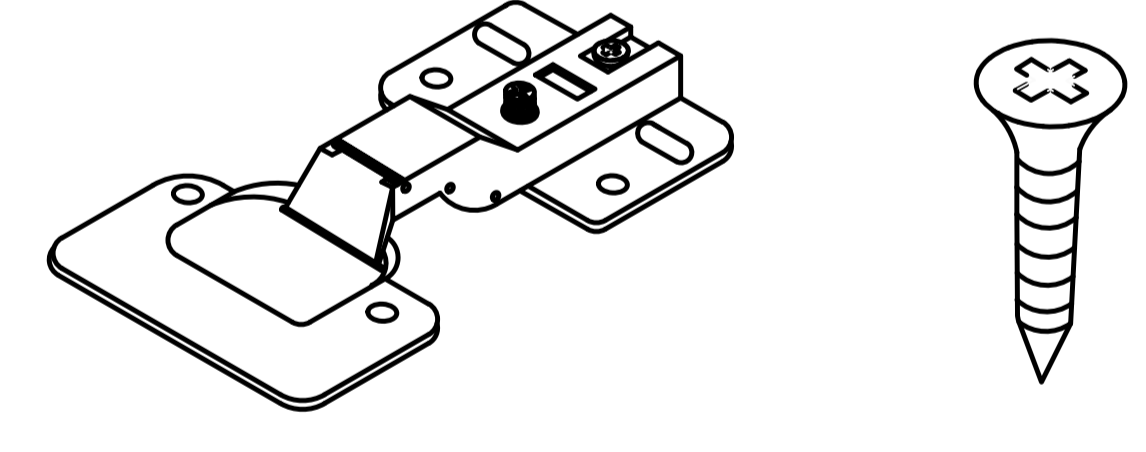
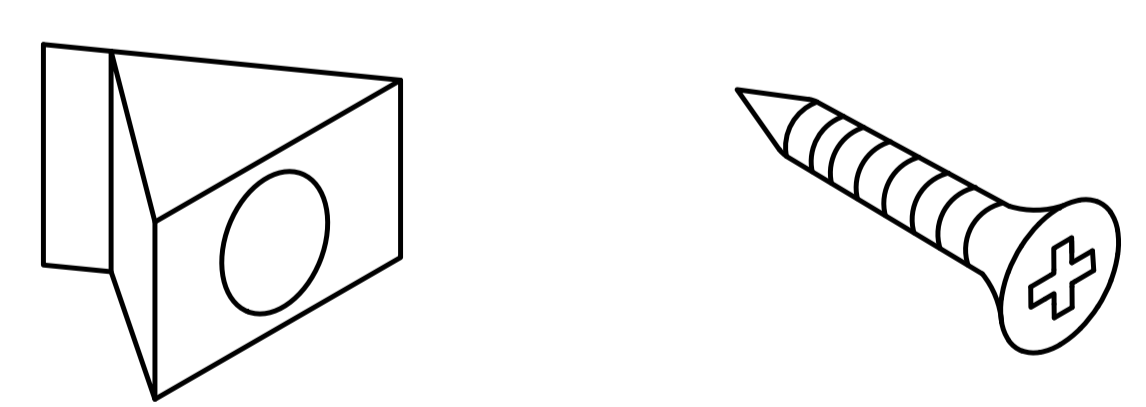
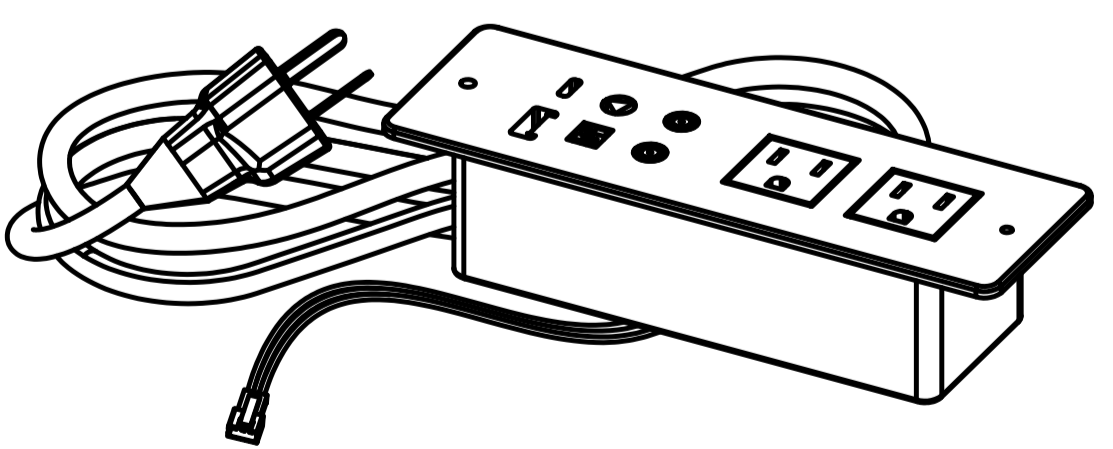
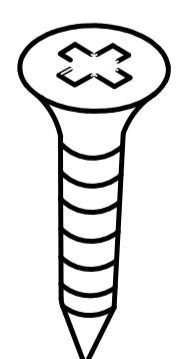
N x1

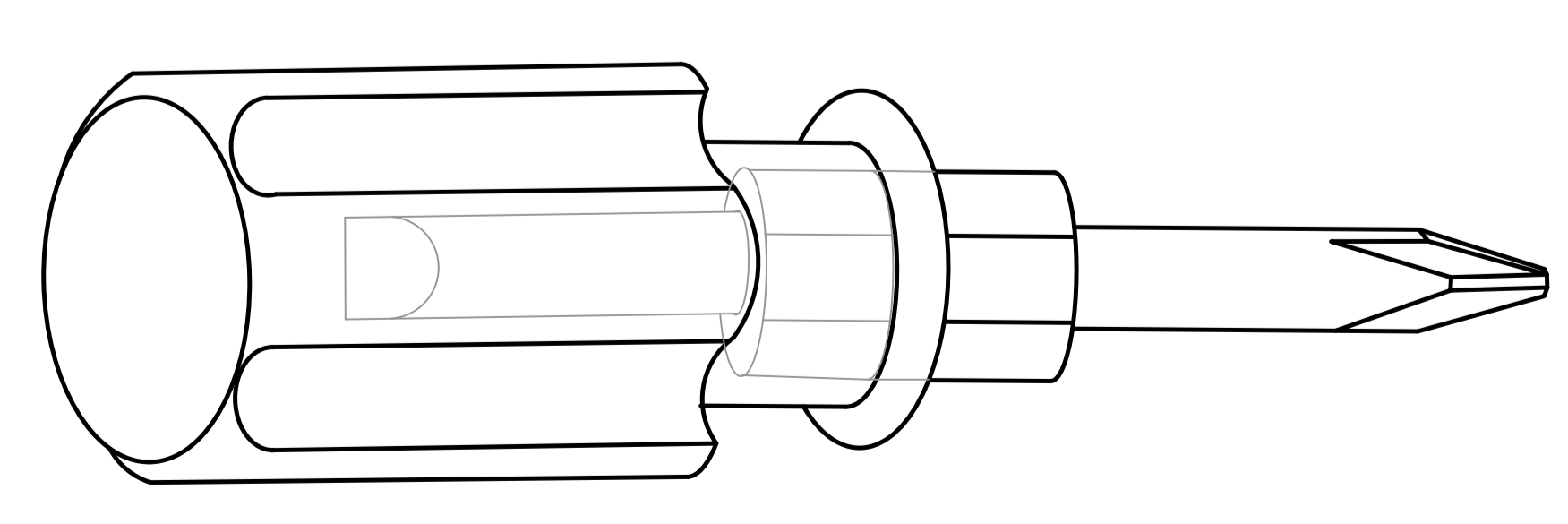


O x1

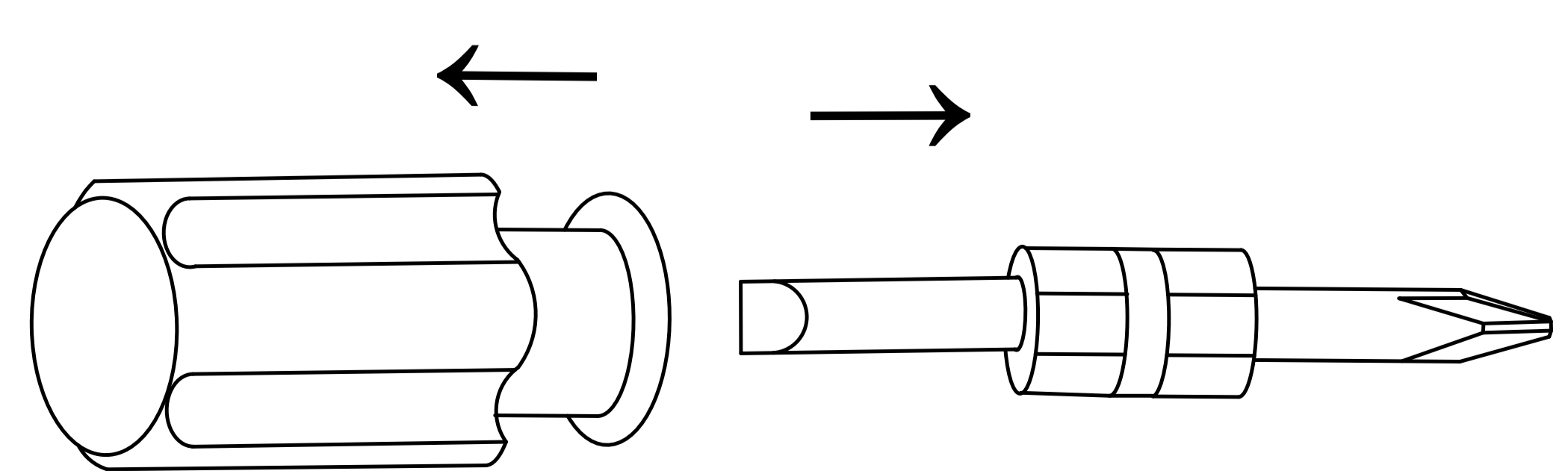


1

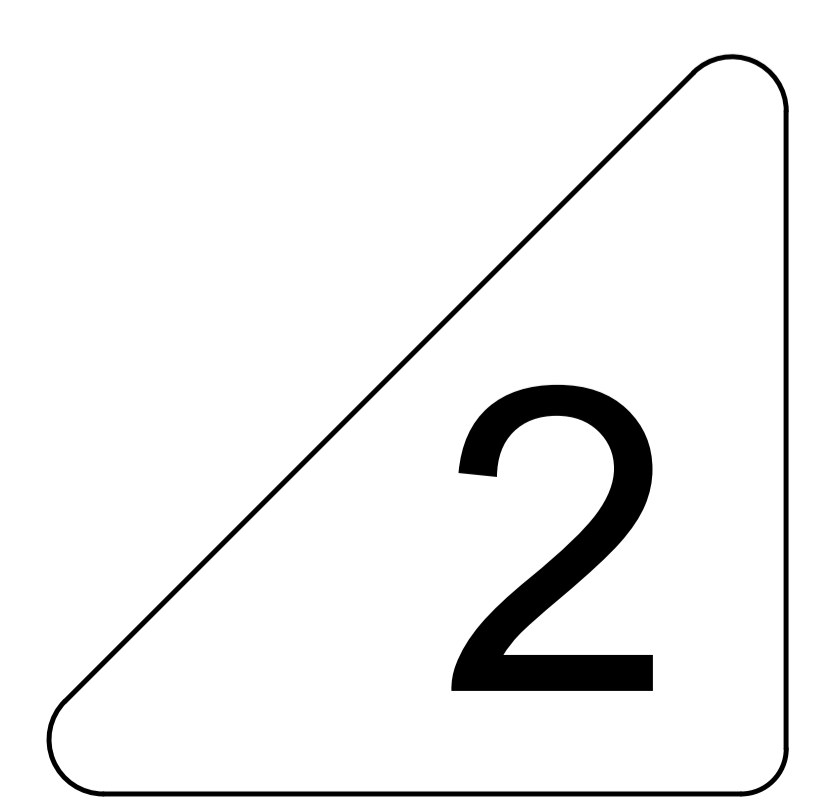
①		Two In One Screw (6x28mm)	36pcs +4pcs
②		Two In One Nut (10x12mm)	36pcs +4pcs
③		Wood Chipping (6x30mm)	12pcs +2pcs
④		Non-slip pads (50x10mm)	8pcs +2pcs
⑤		Backboard card strip (1570mm)	1pcs
⑥		Laminate Support Nail	8pcs +2pcs
⑦		Hinge & Screw (3.5x12mm)	24pcs +3pcs 4pcs
⑧		Handle & Screw (4x25mm)	4pcs +2pcs 2pcs
⑨		Hinge & Screw (3.5x12mm)	24pcs +3pcs 4pcs
⑩		Fixing clip & screw (3x16mm)	16pcs +2pcs
		Socket (3x10mm)	2pcs +2pcs 1pcs



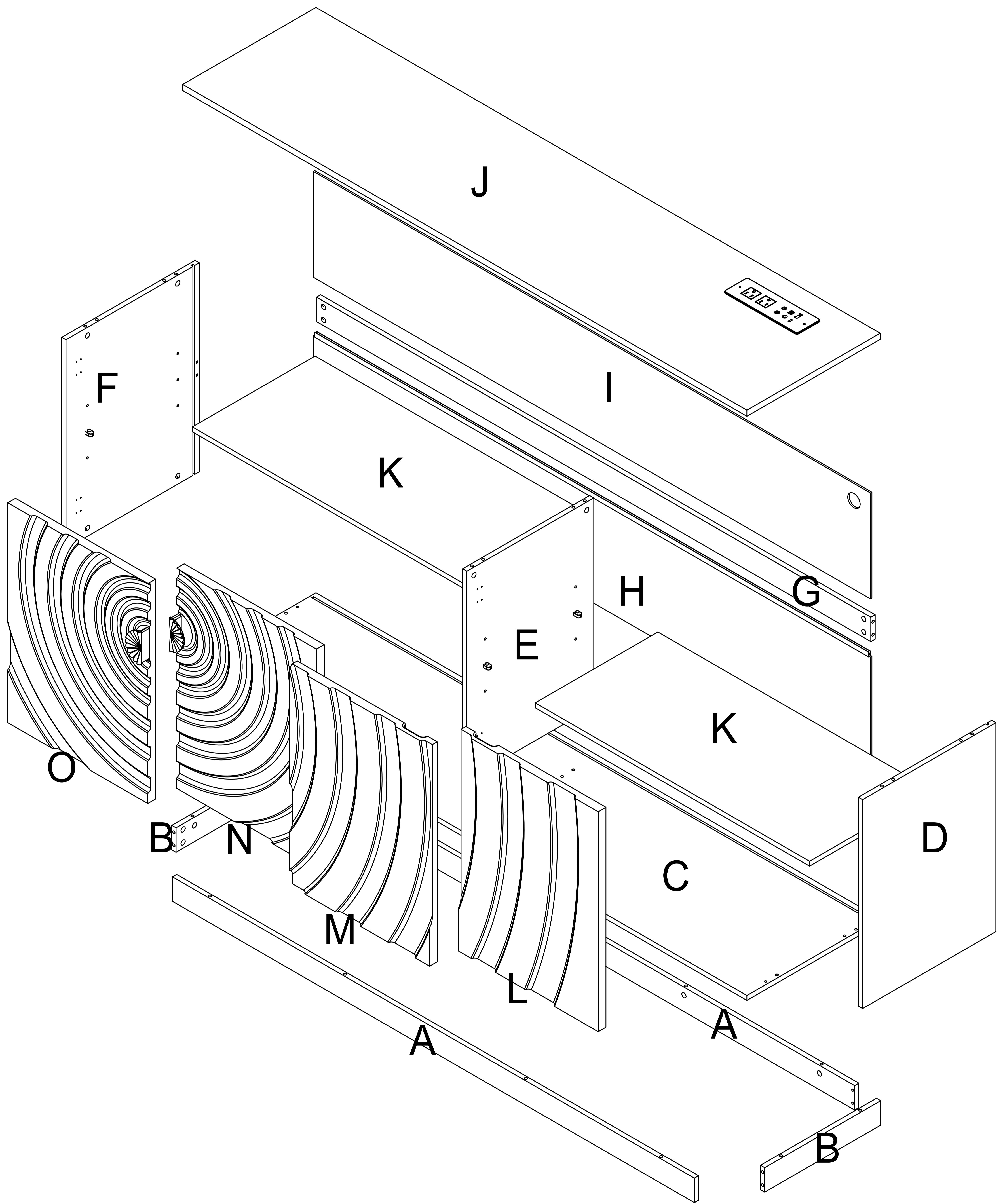
1pcs



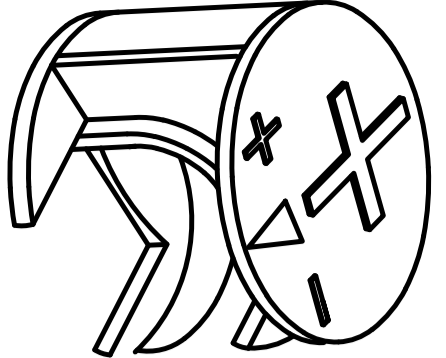
Double-head screwdriver, use as required

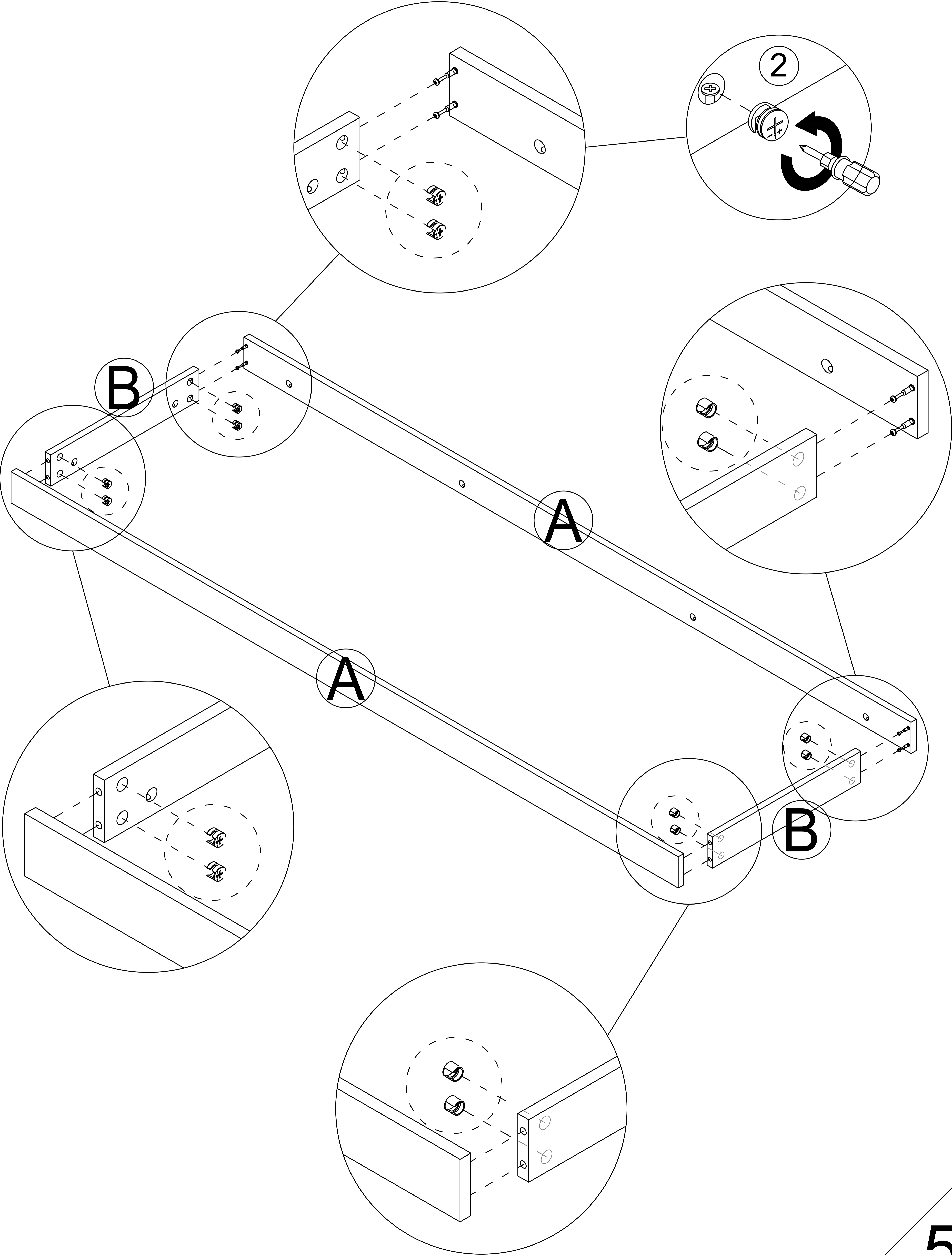


Product structure decomposition

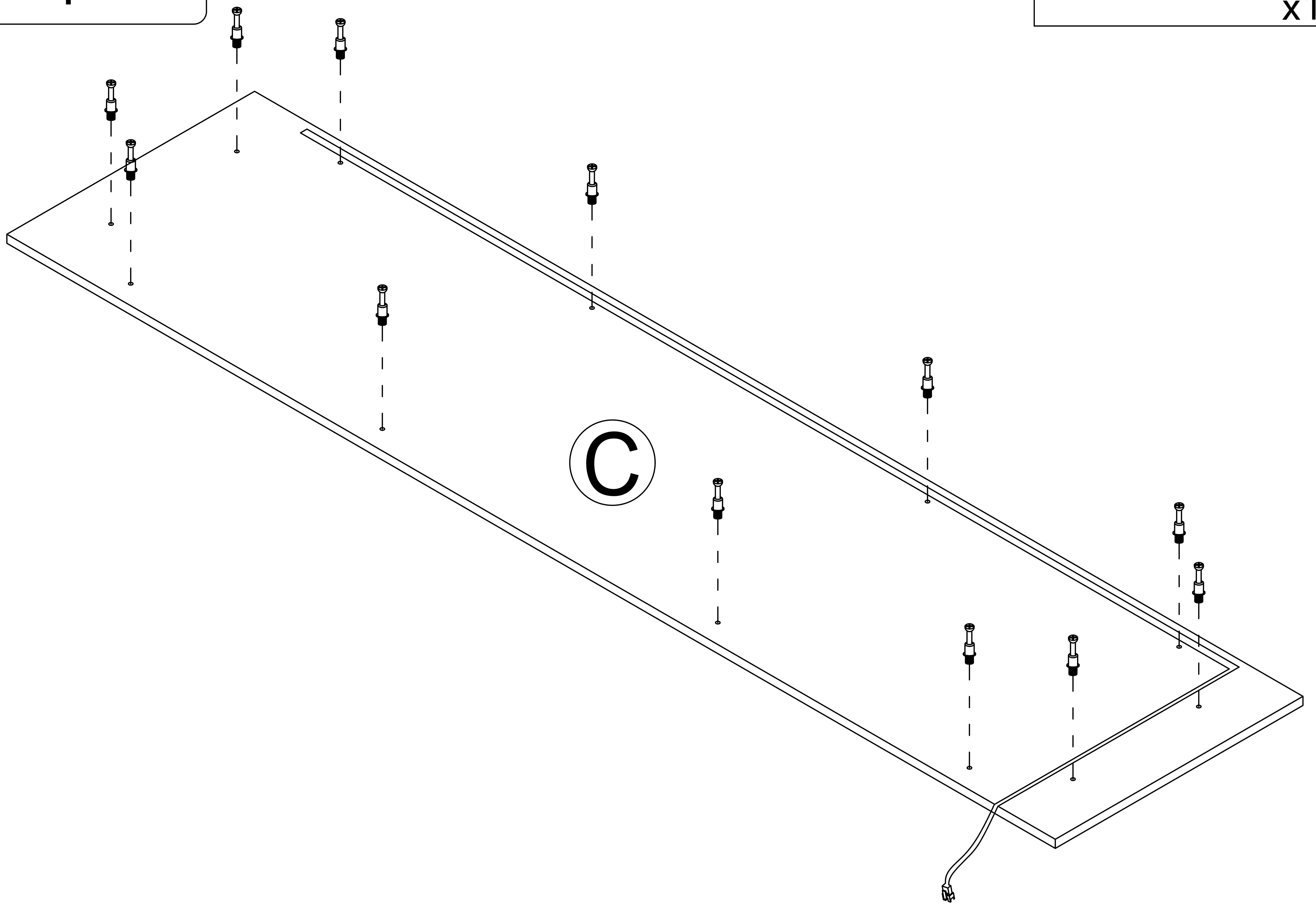
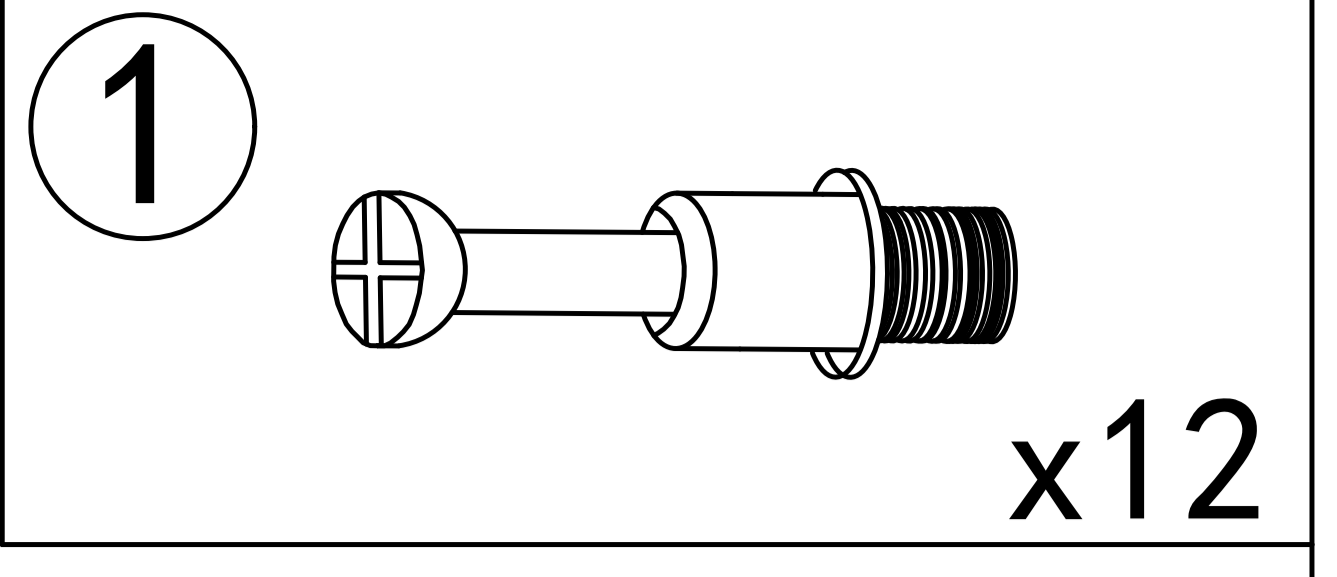


Step 2

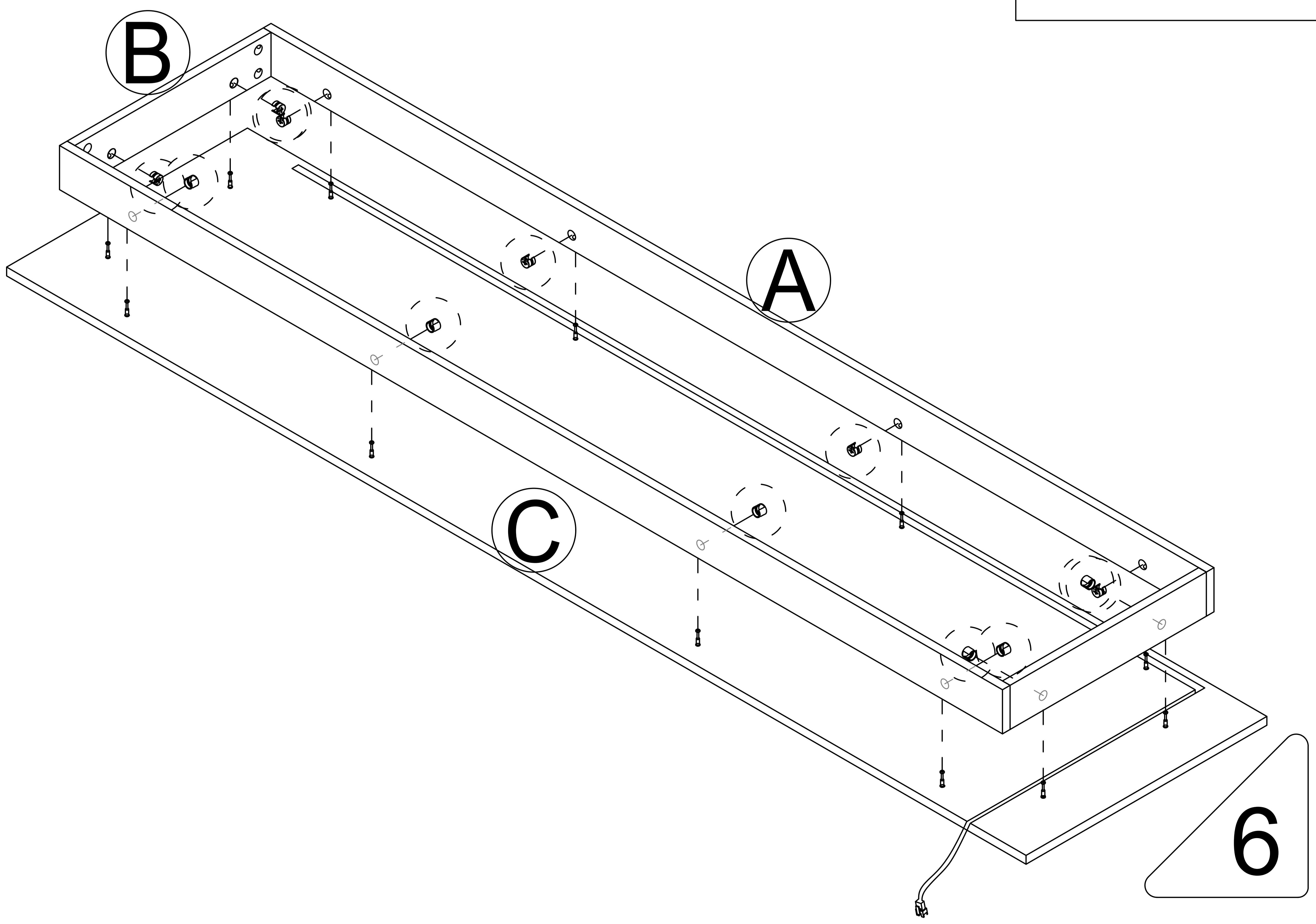
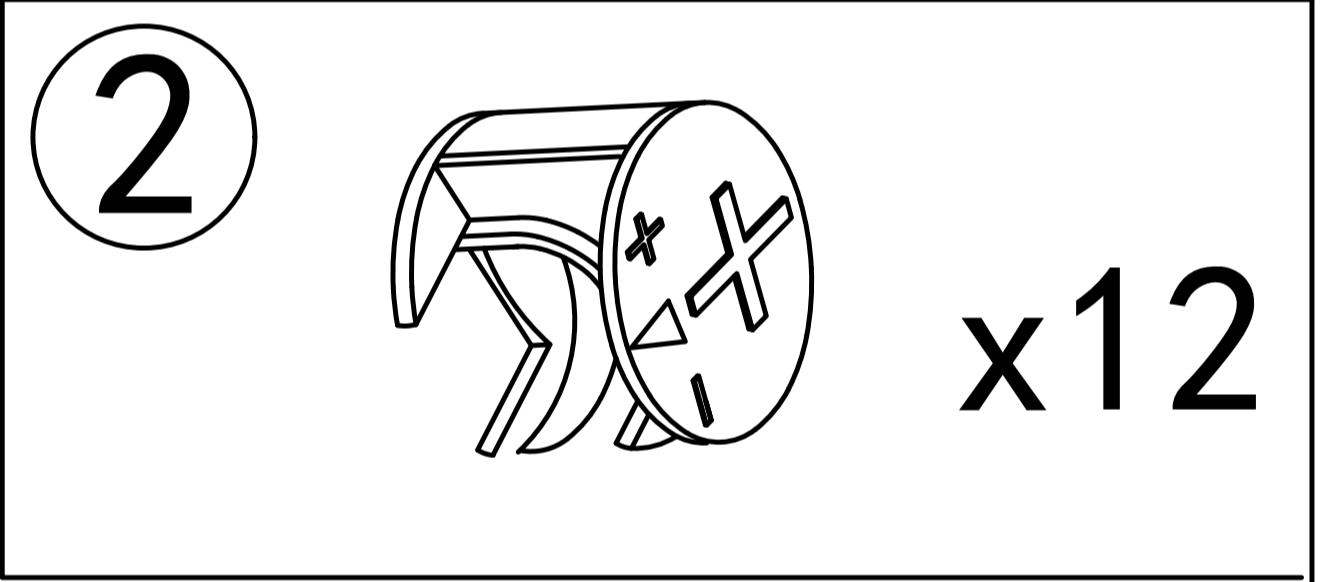
2  x8



Step 3

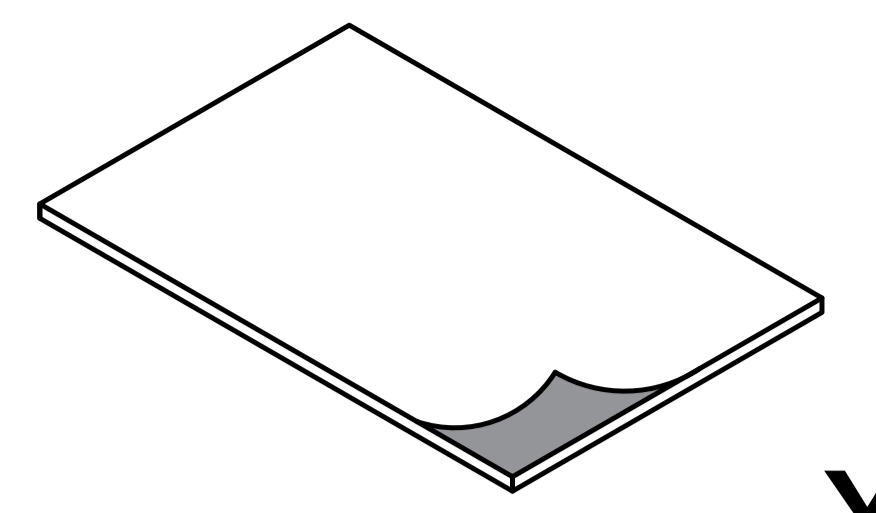


Step 4

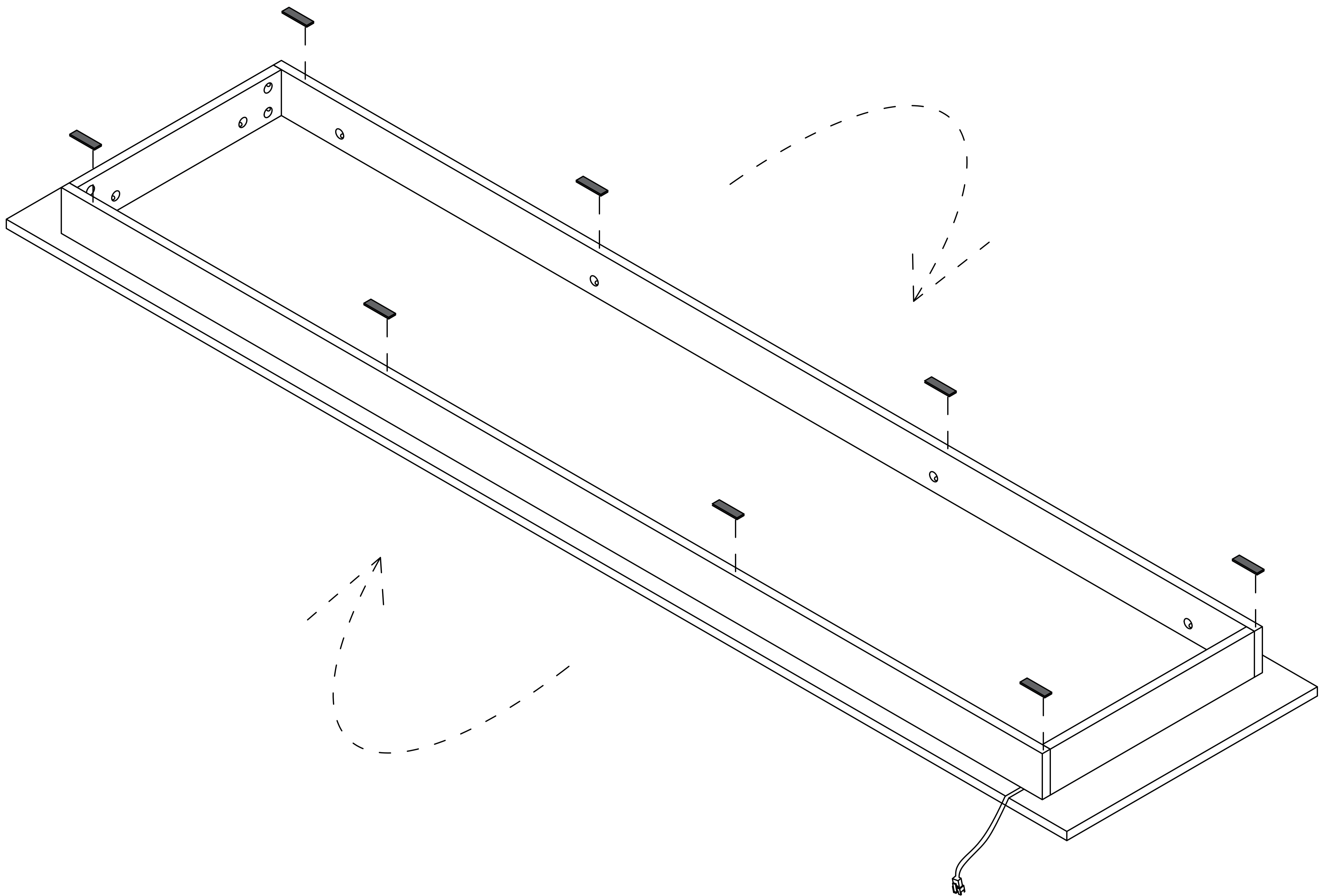


Step 5

4



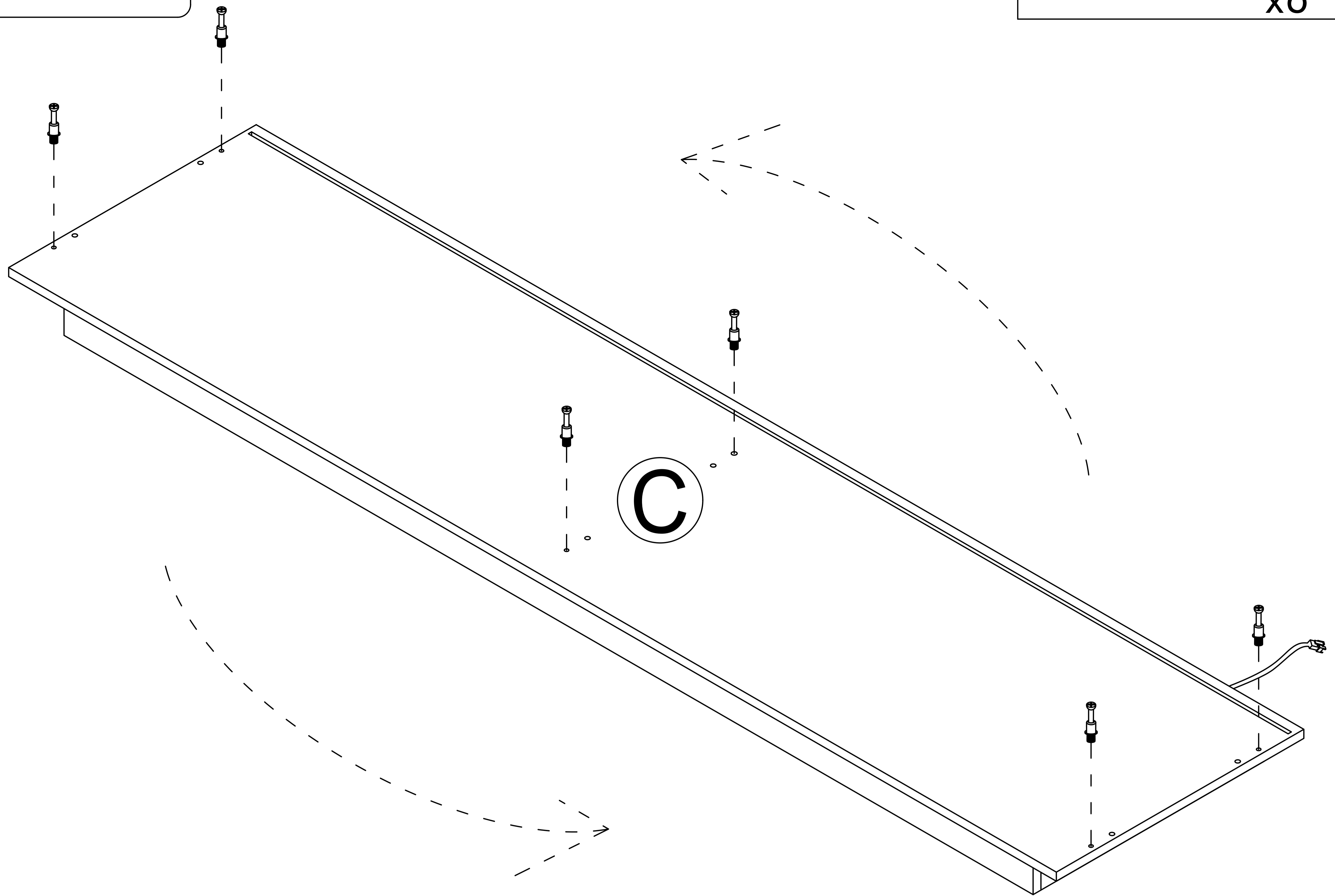
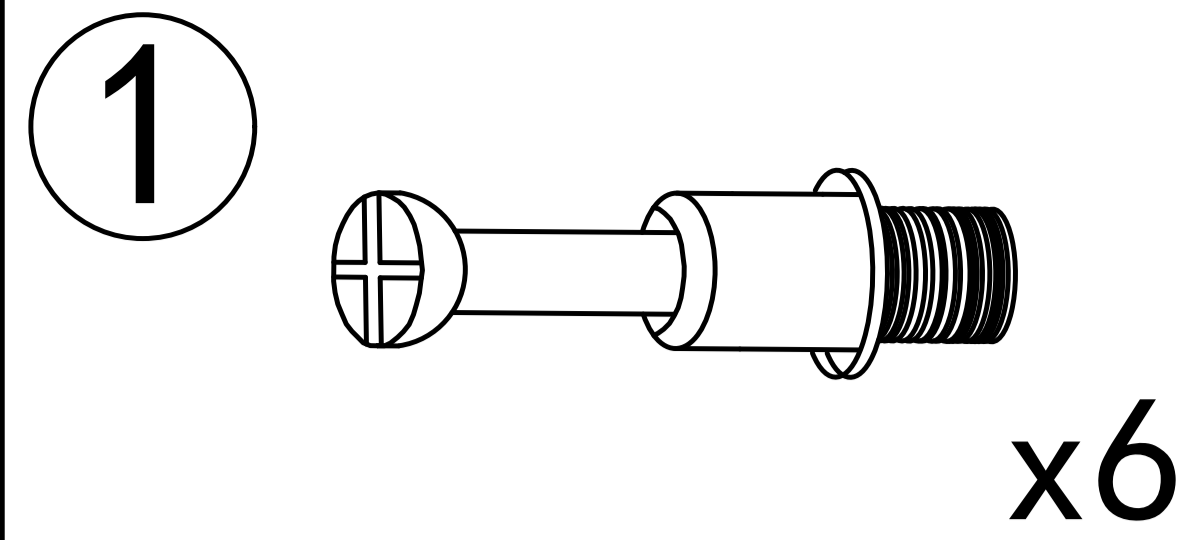
x8



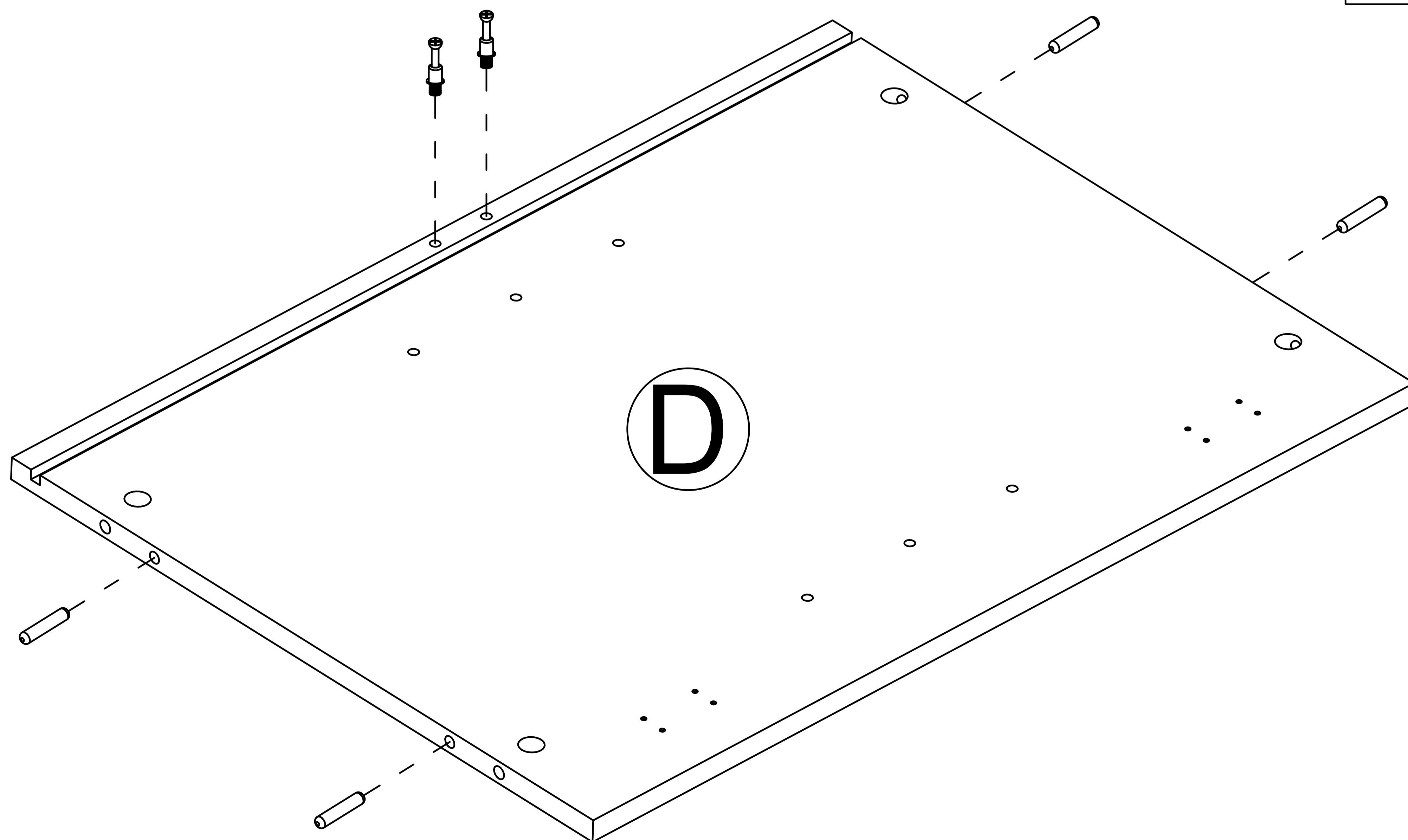
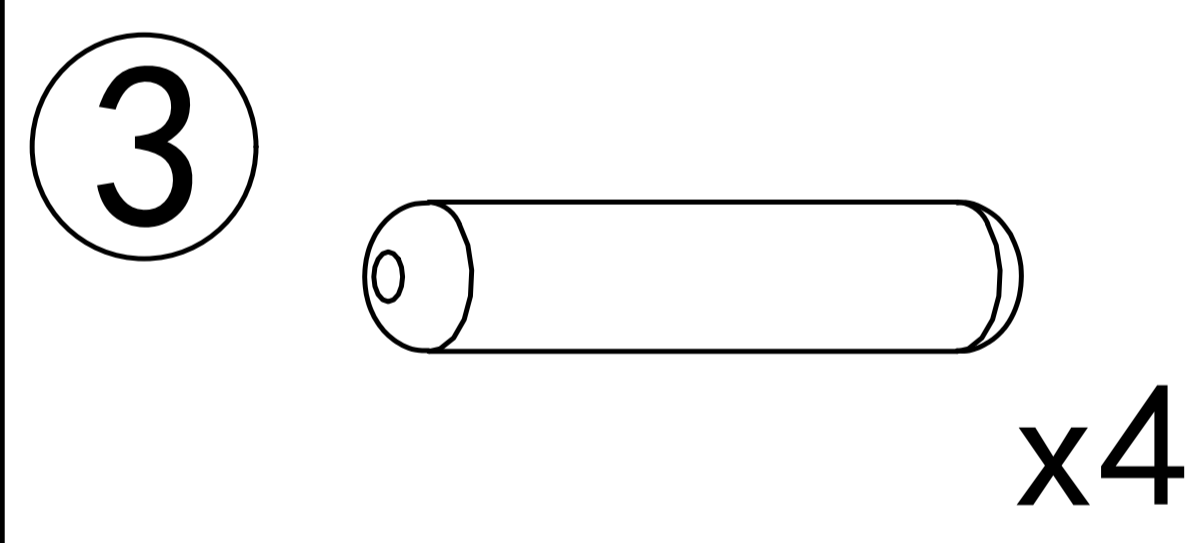
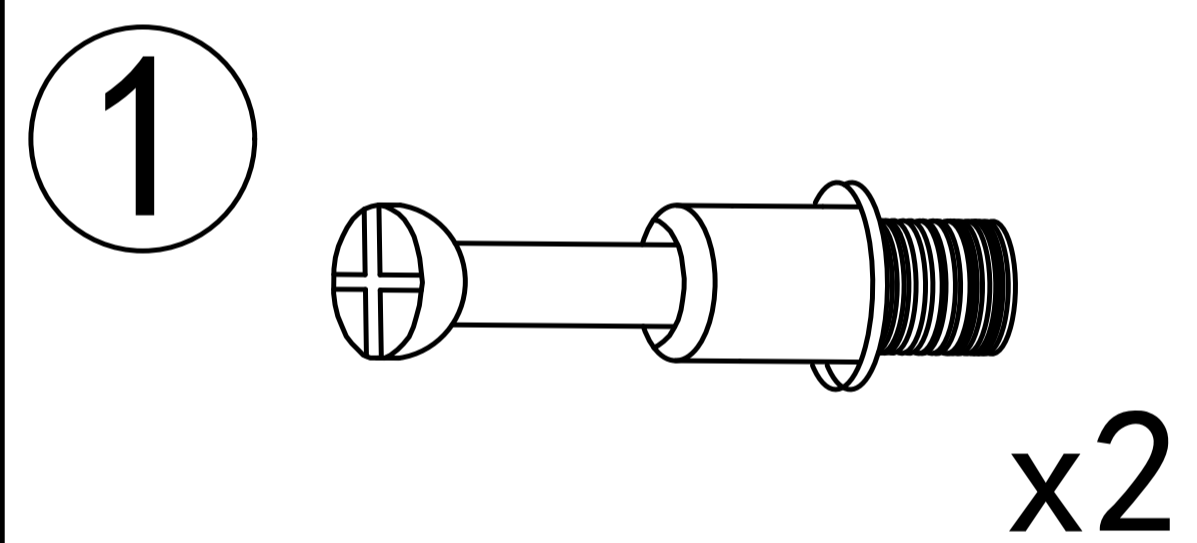
Tear off release paper and stick the black foot pad on the board

7

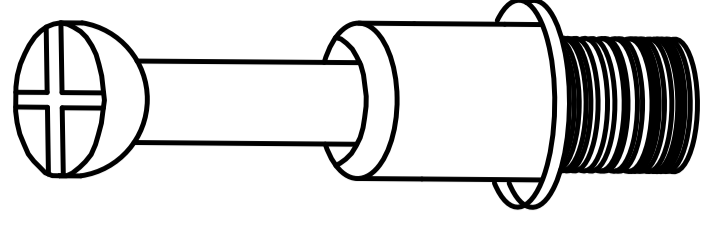

Step 6

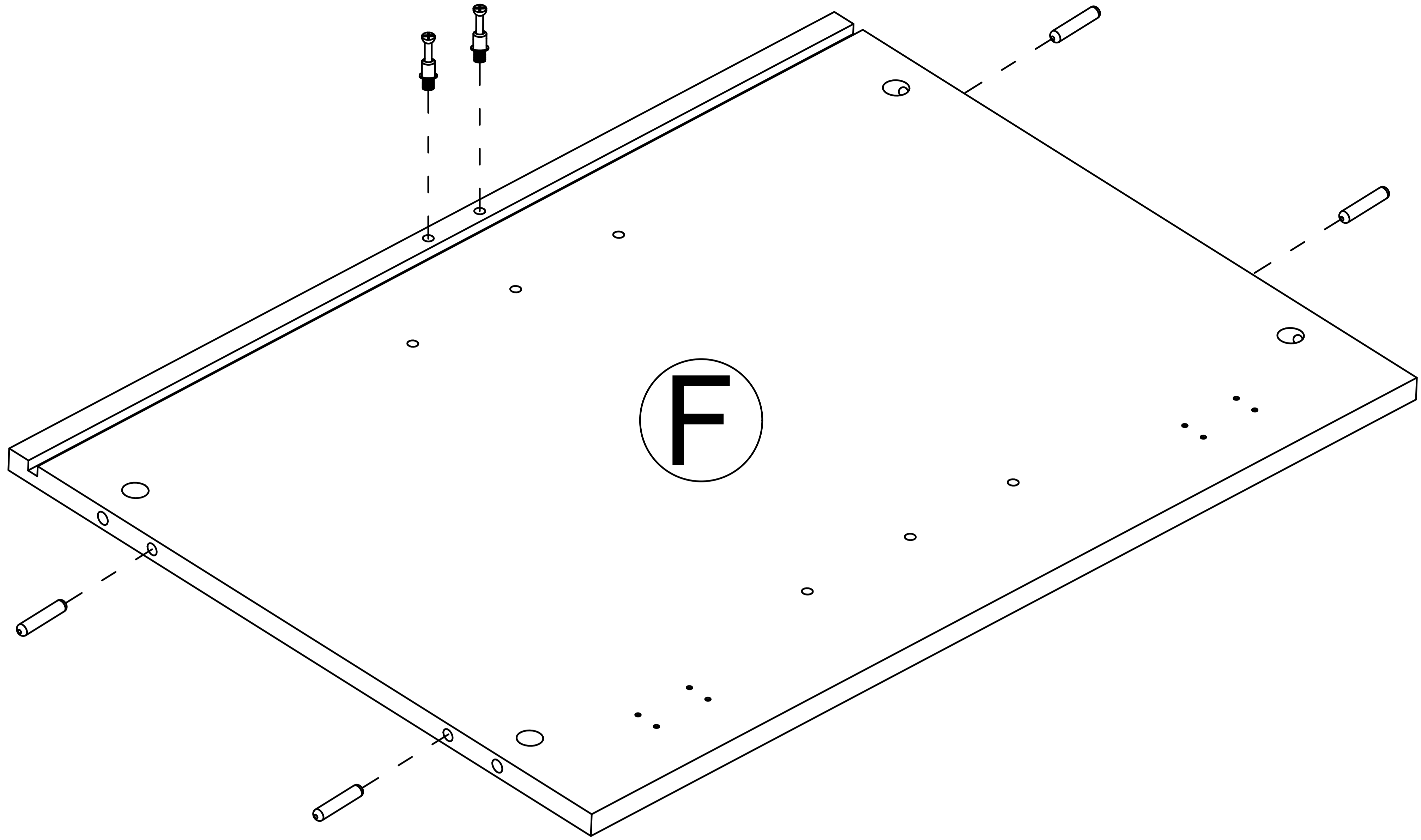


Step 7

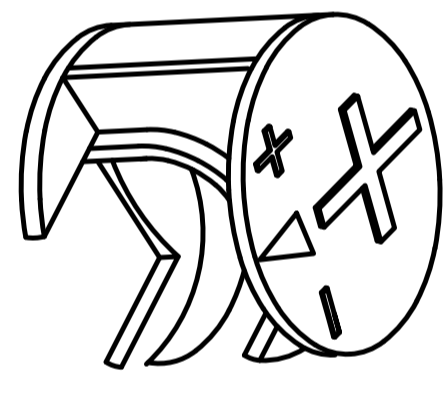


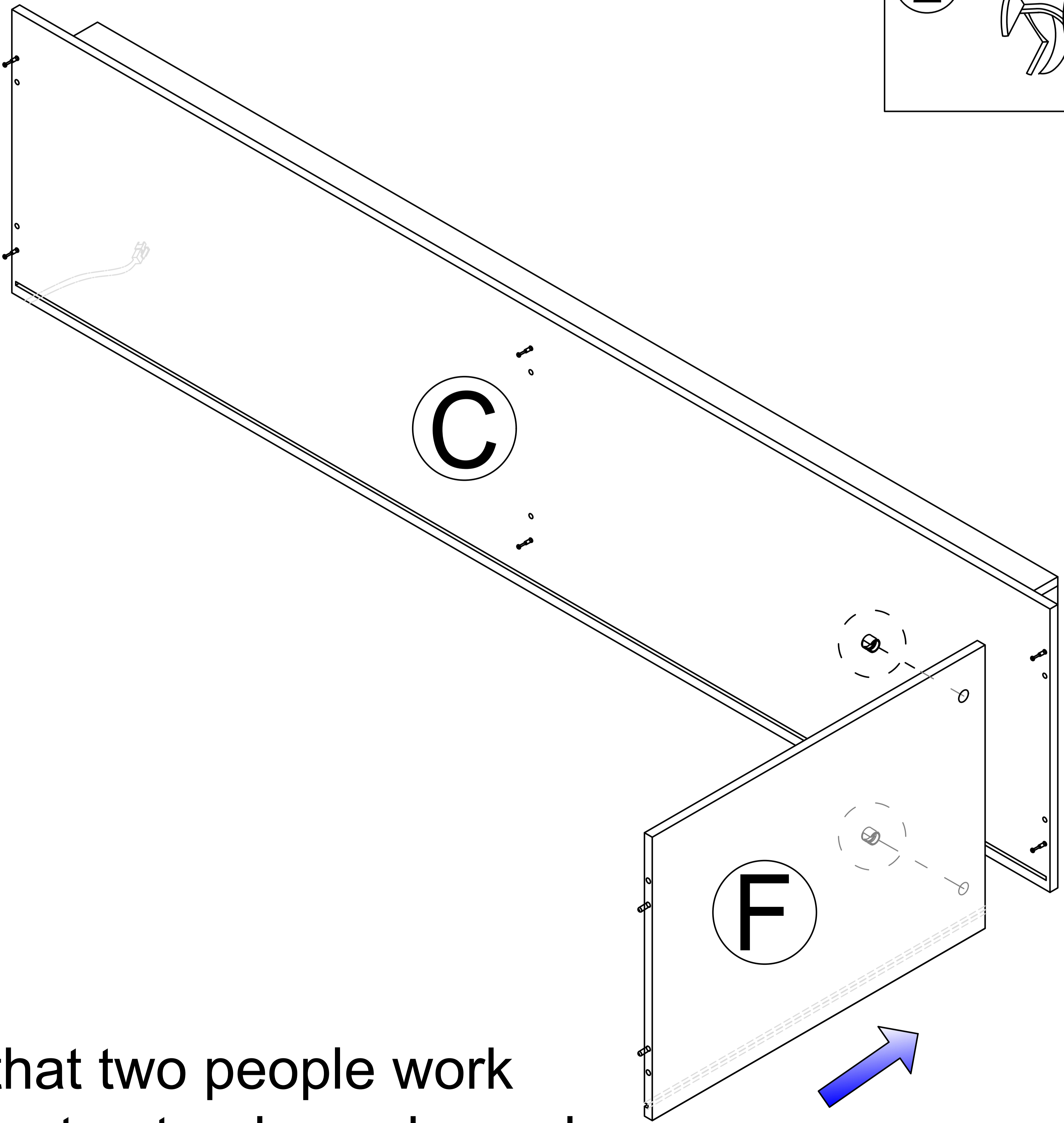
Step 8

- 1  x2
- 3  x4



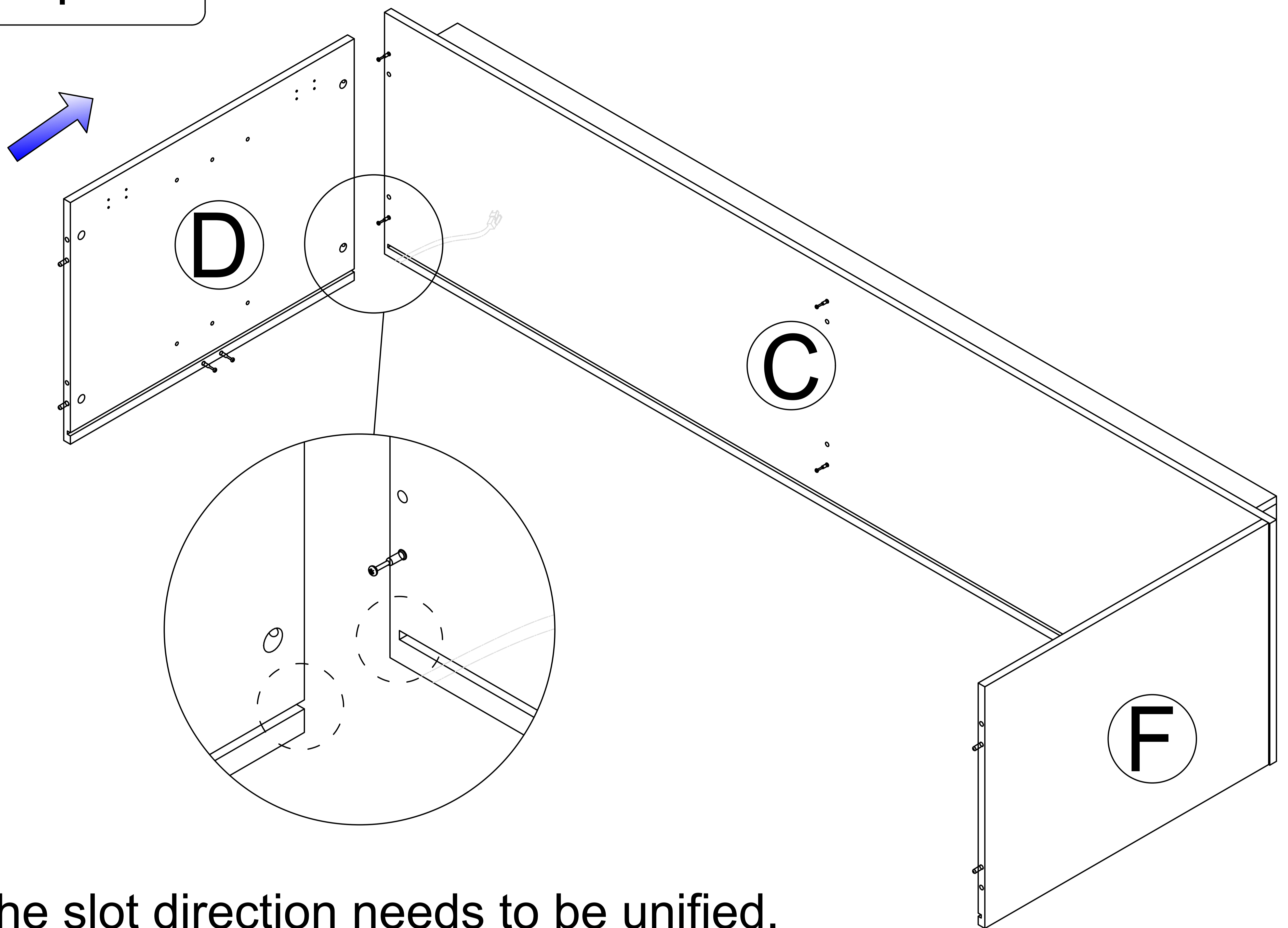
Step 9

- 2  x2



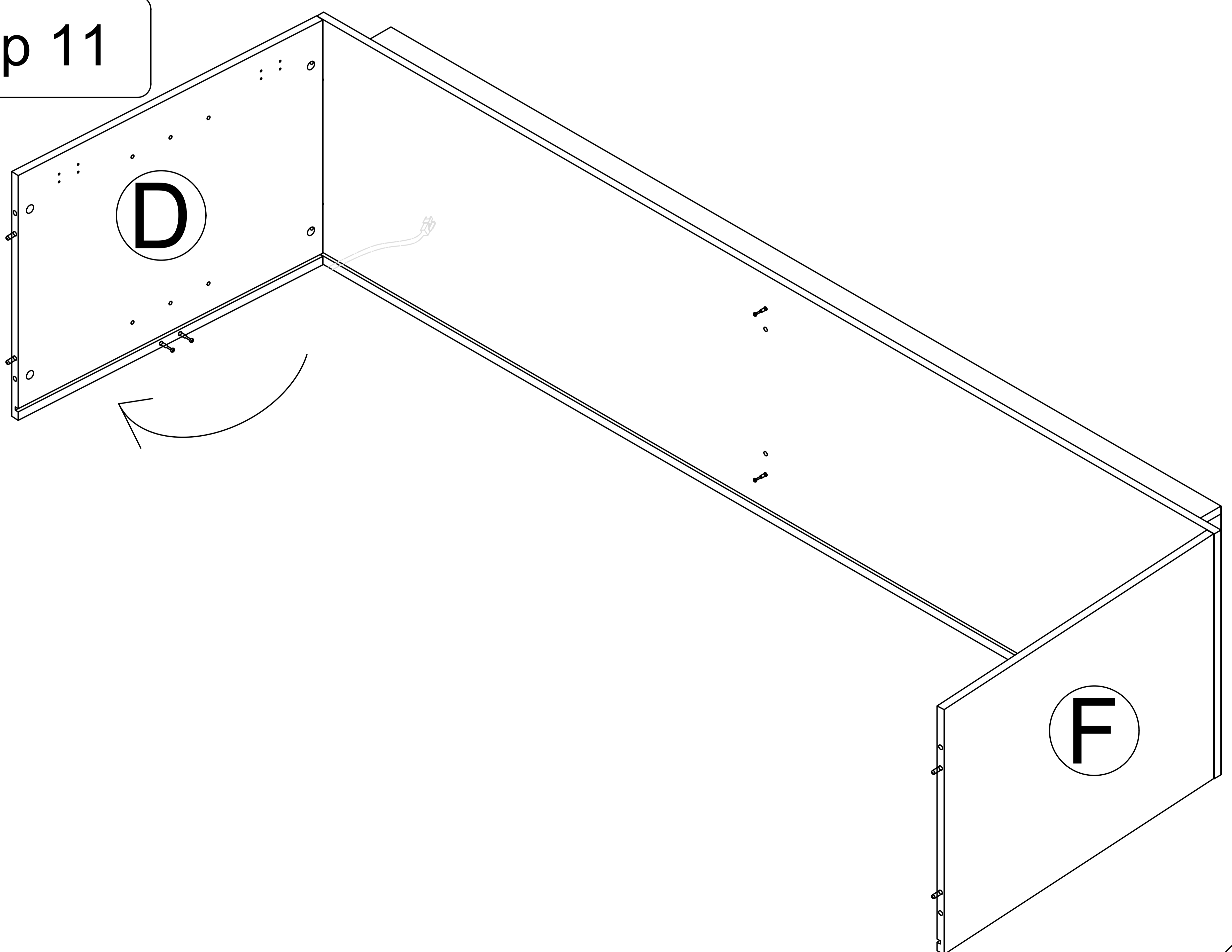
It is recommended that two people work together to install the structural wood panels.

Step 10



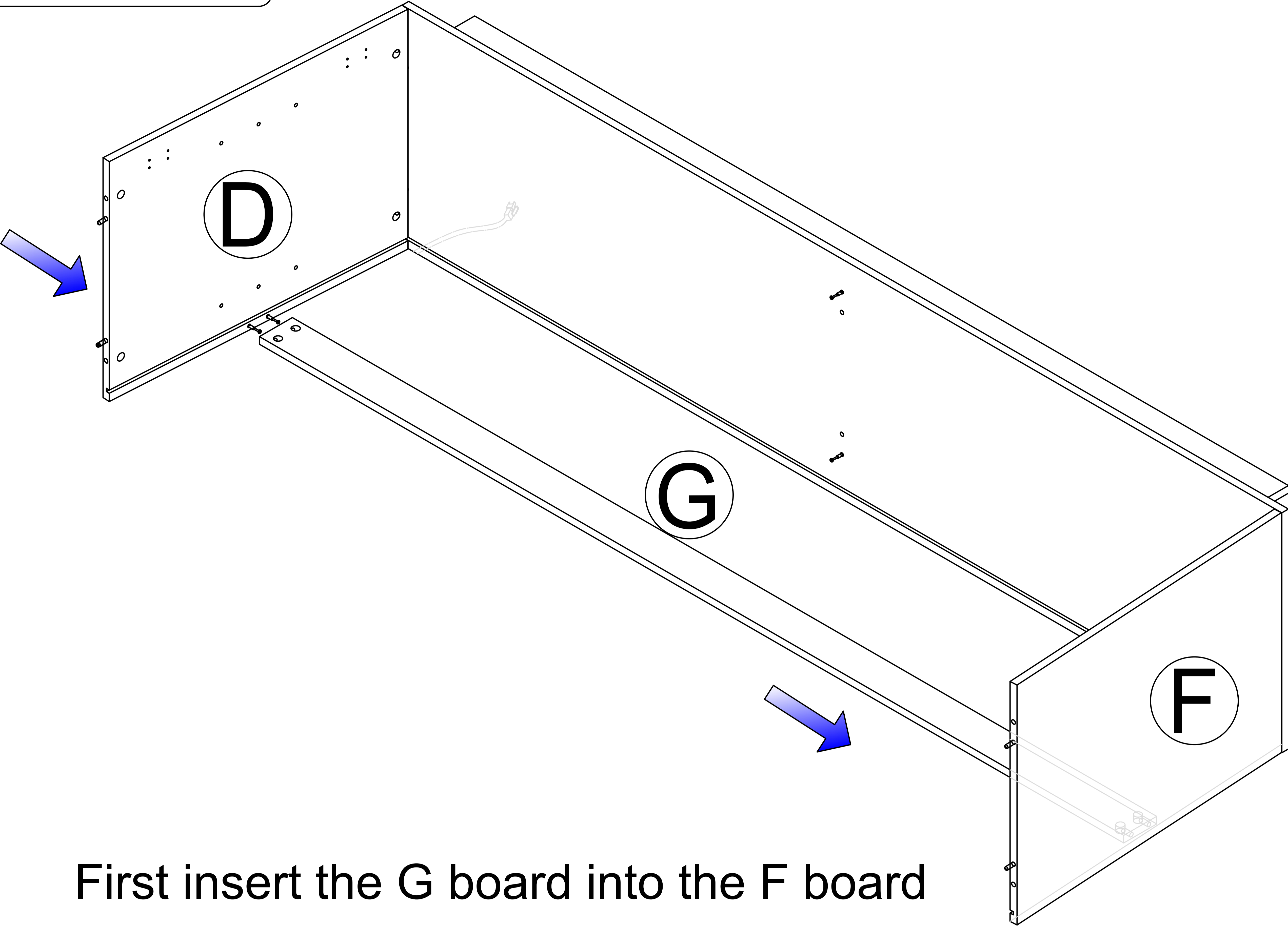
The slot direction needs to be unified.

Step 11



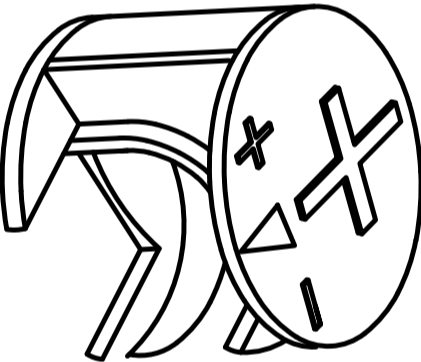
The "D" board need to be opened outward at a certain angle.

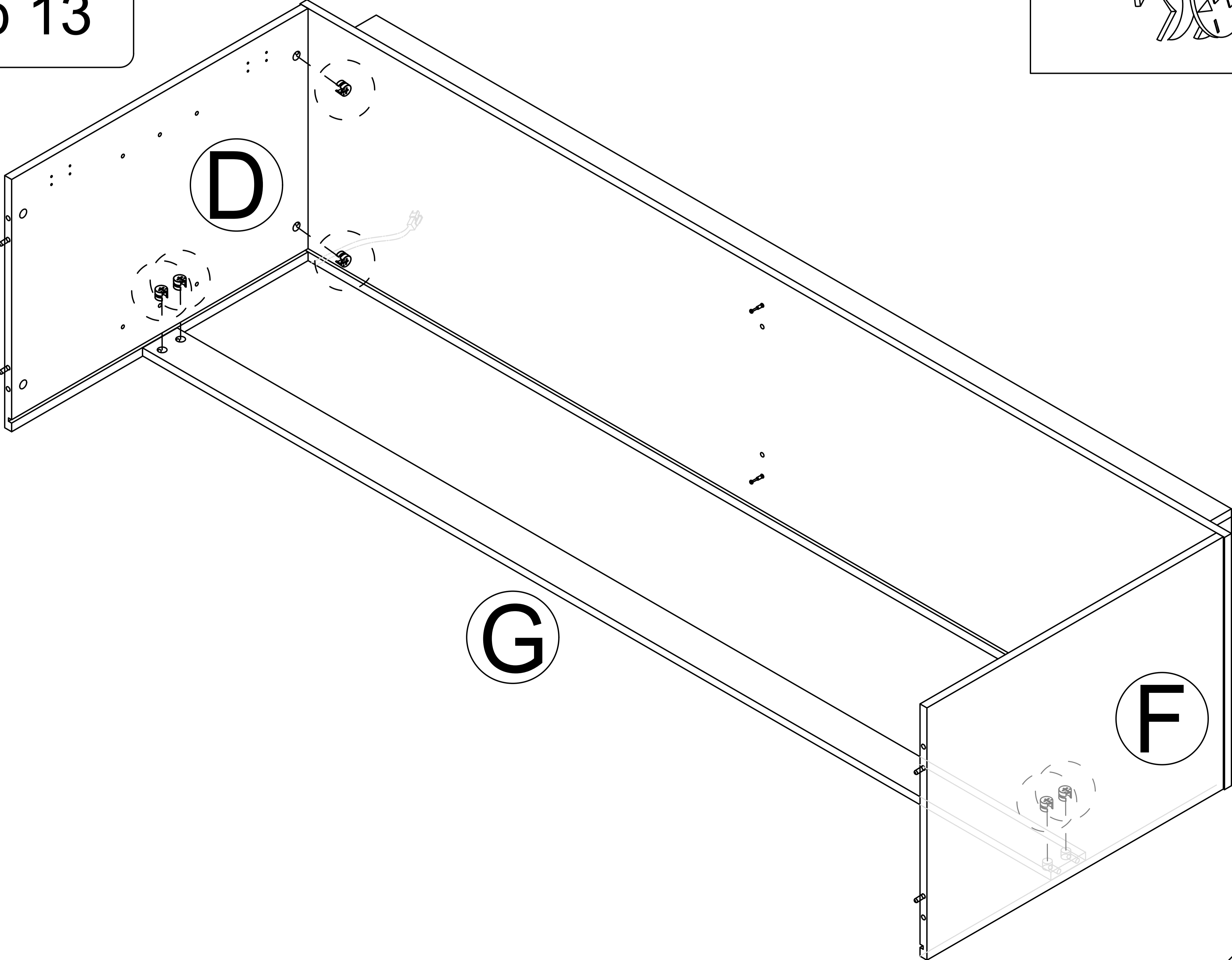
Step 12



First insert the G board into the F board

Step 13

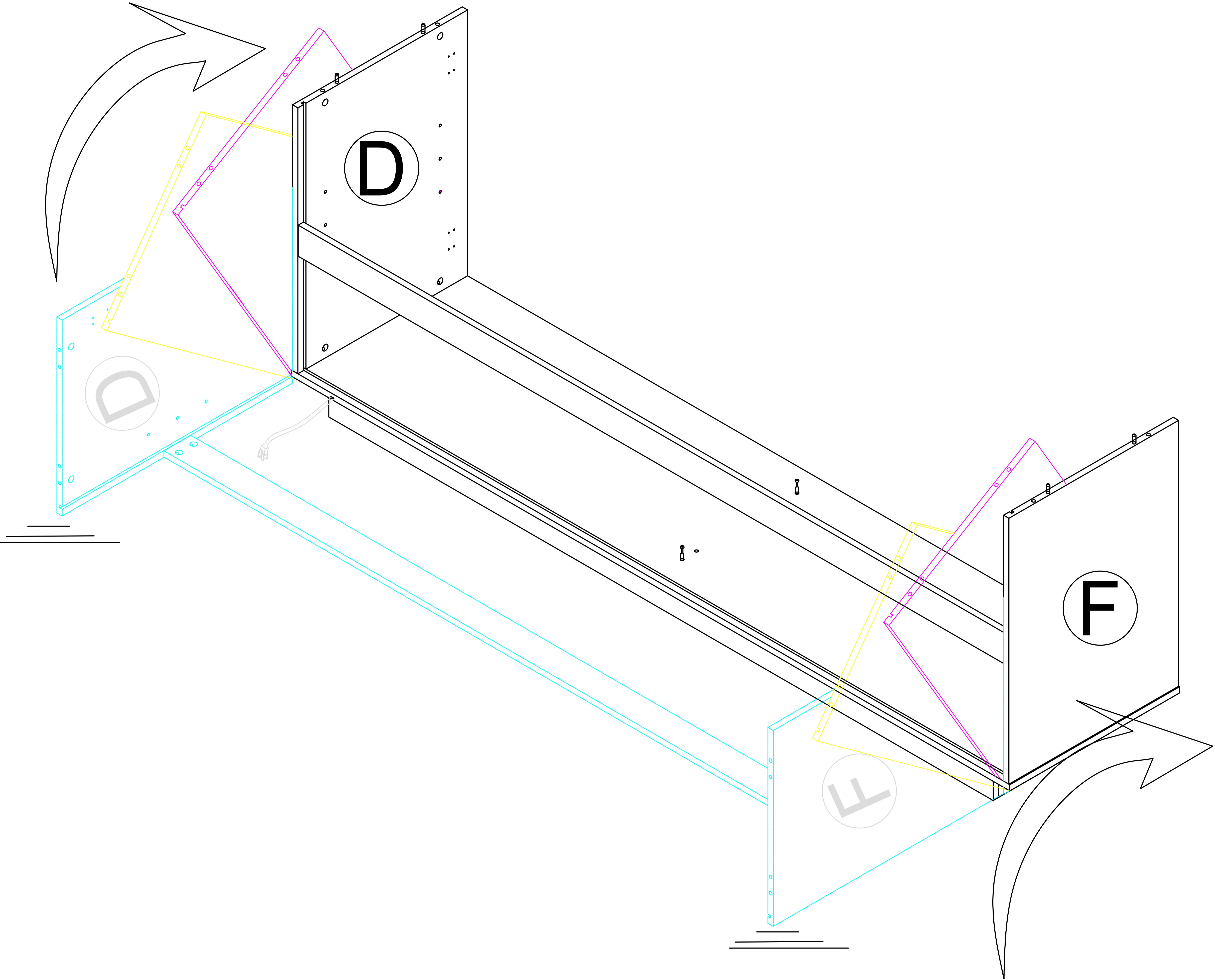
2  x6



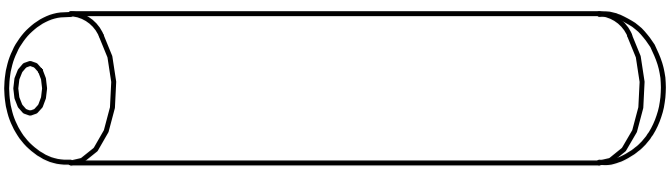
Then insert the G board into the D board and lock both sides

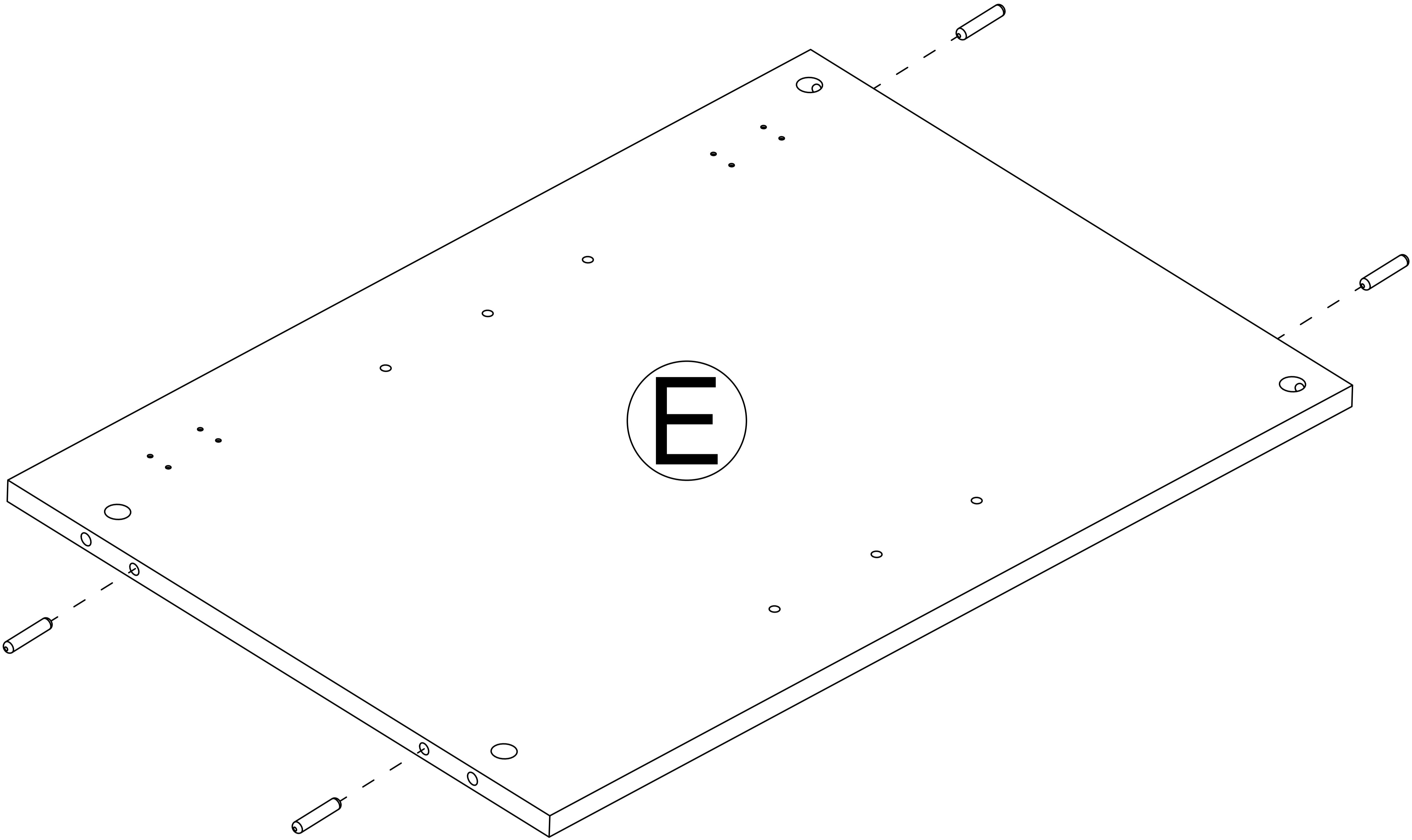
Step 14

This step need two people to operate and hold on it together

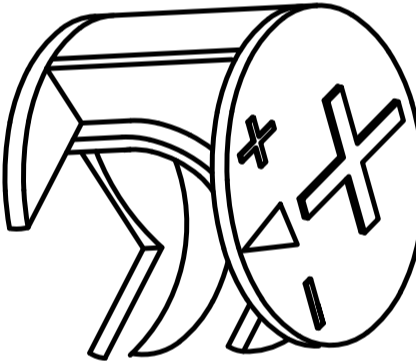


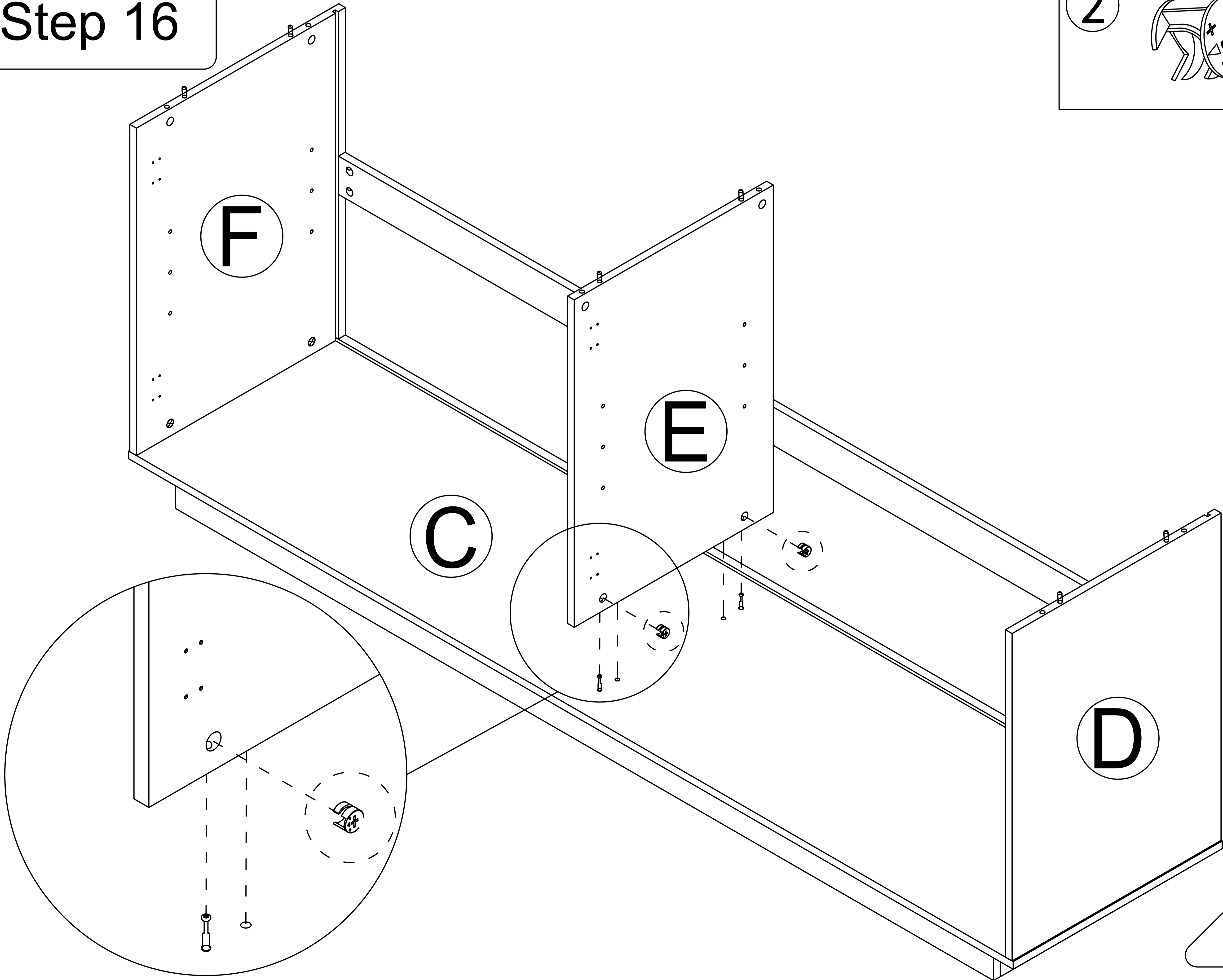
Step 15

3  x4

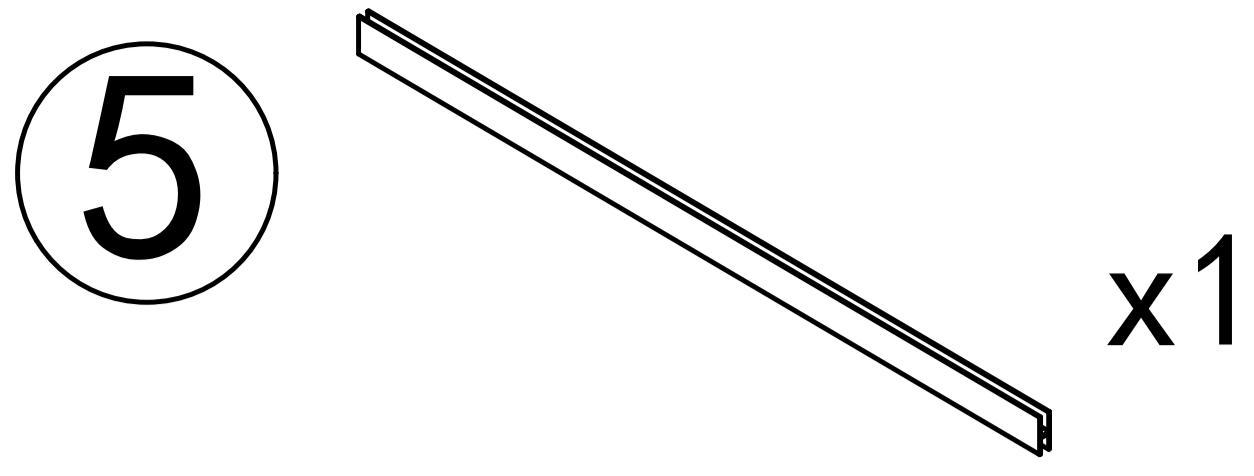


Step 16

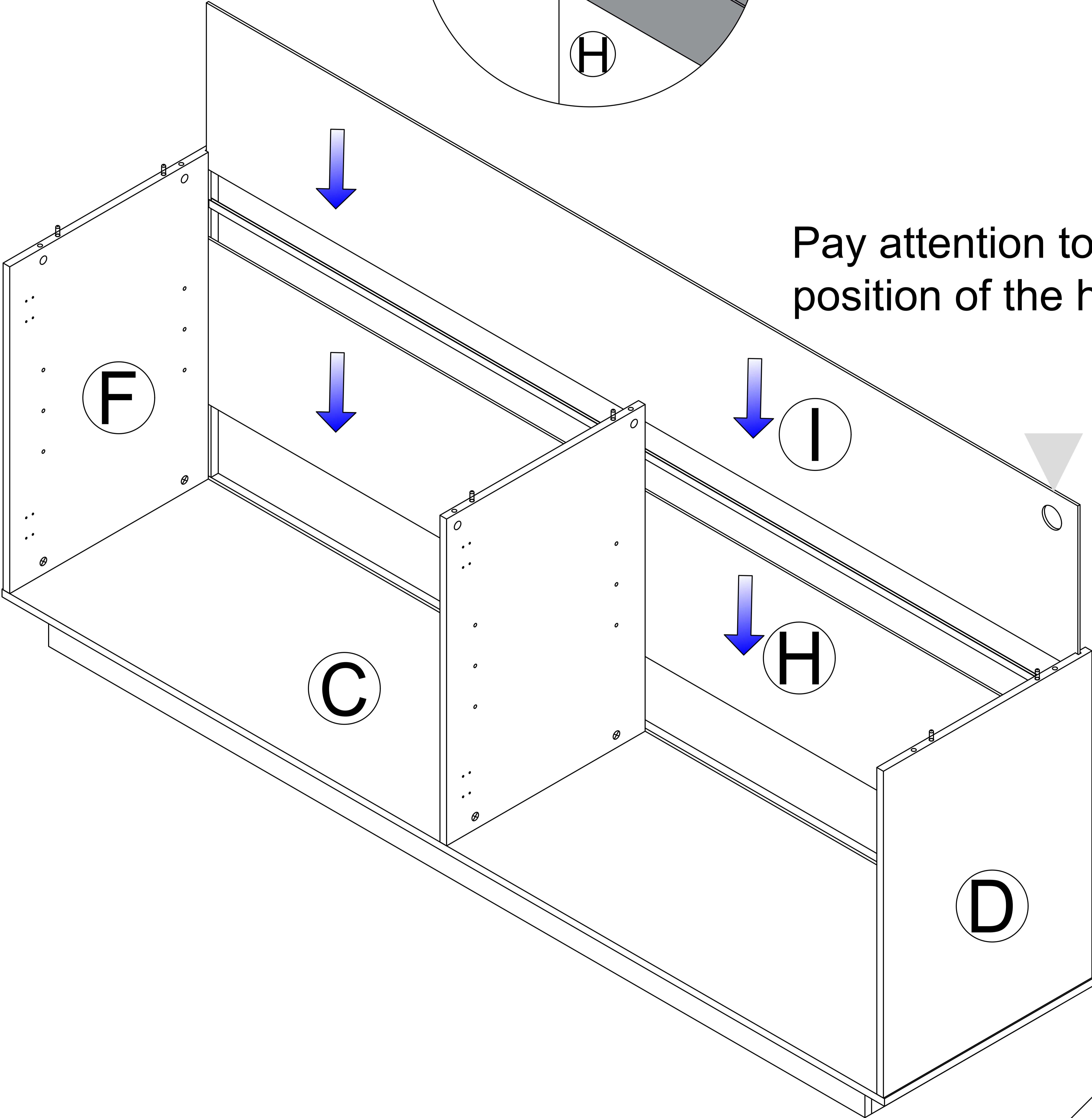
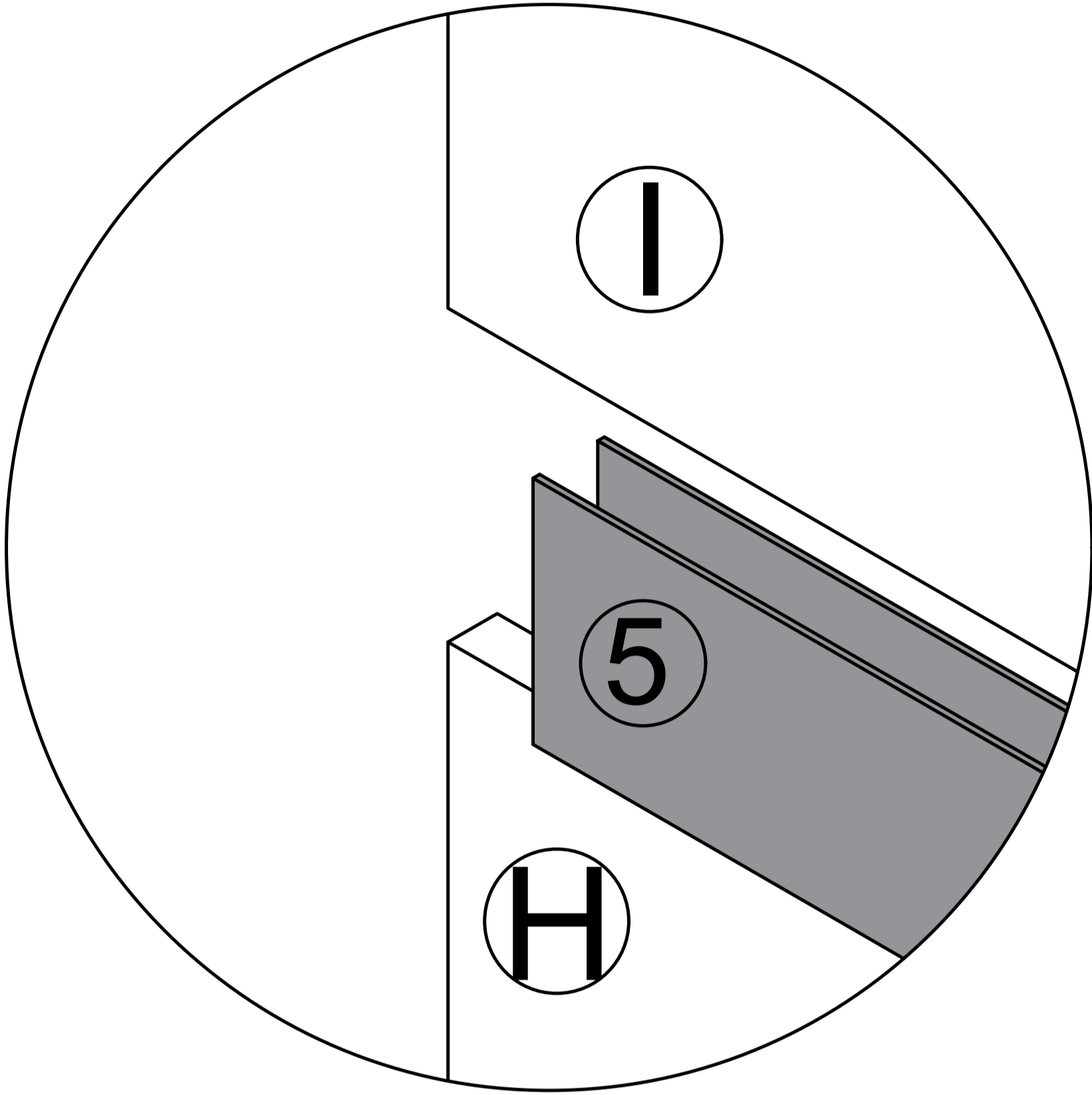
2  x2



Step 17

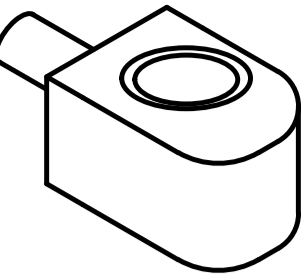


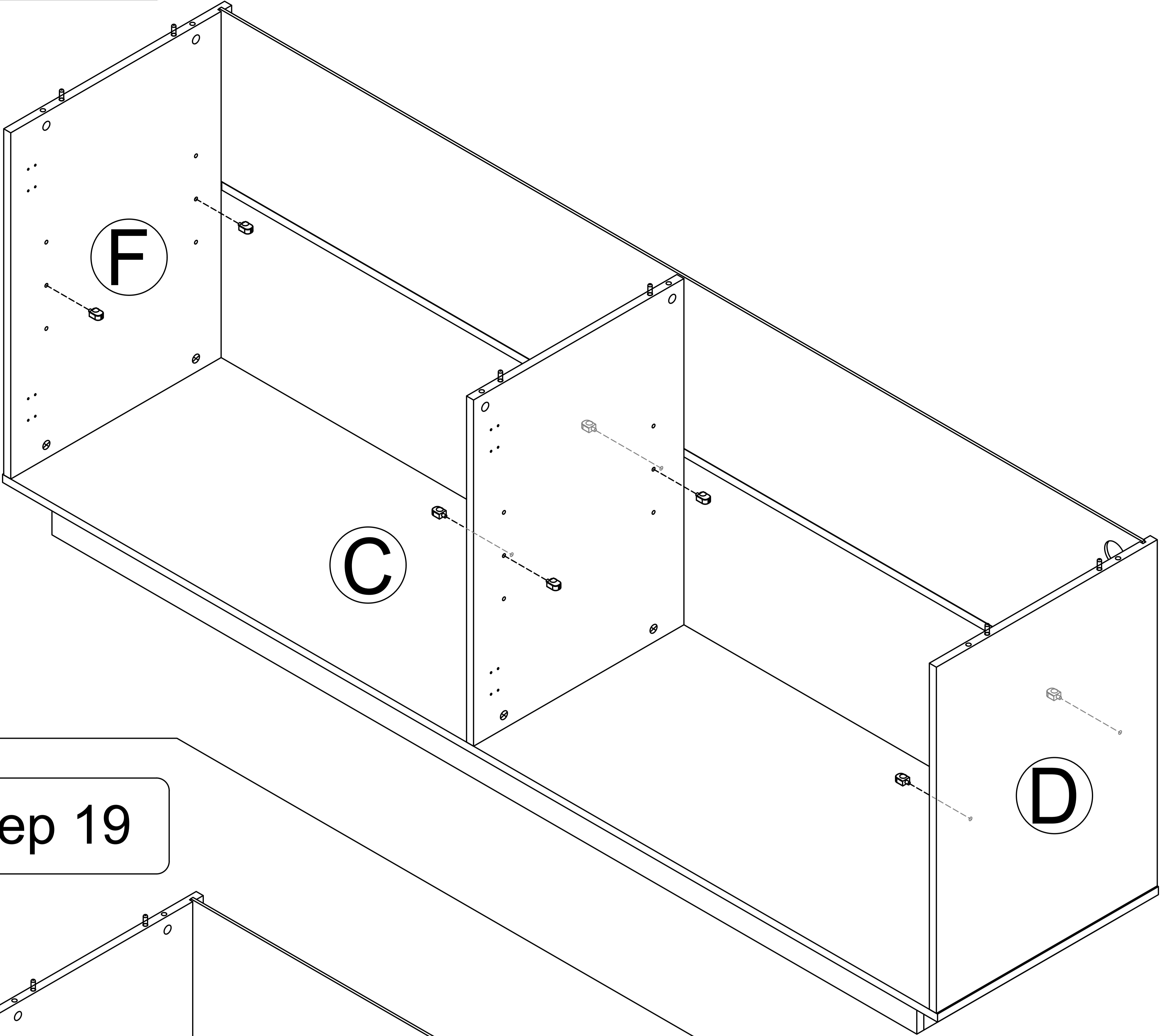
Place the H board, N0.⑤ strip, and I board in order



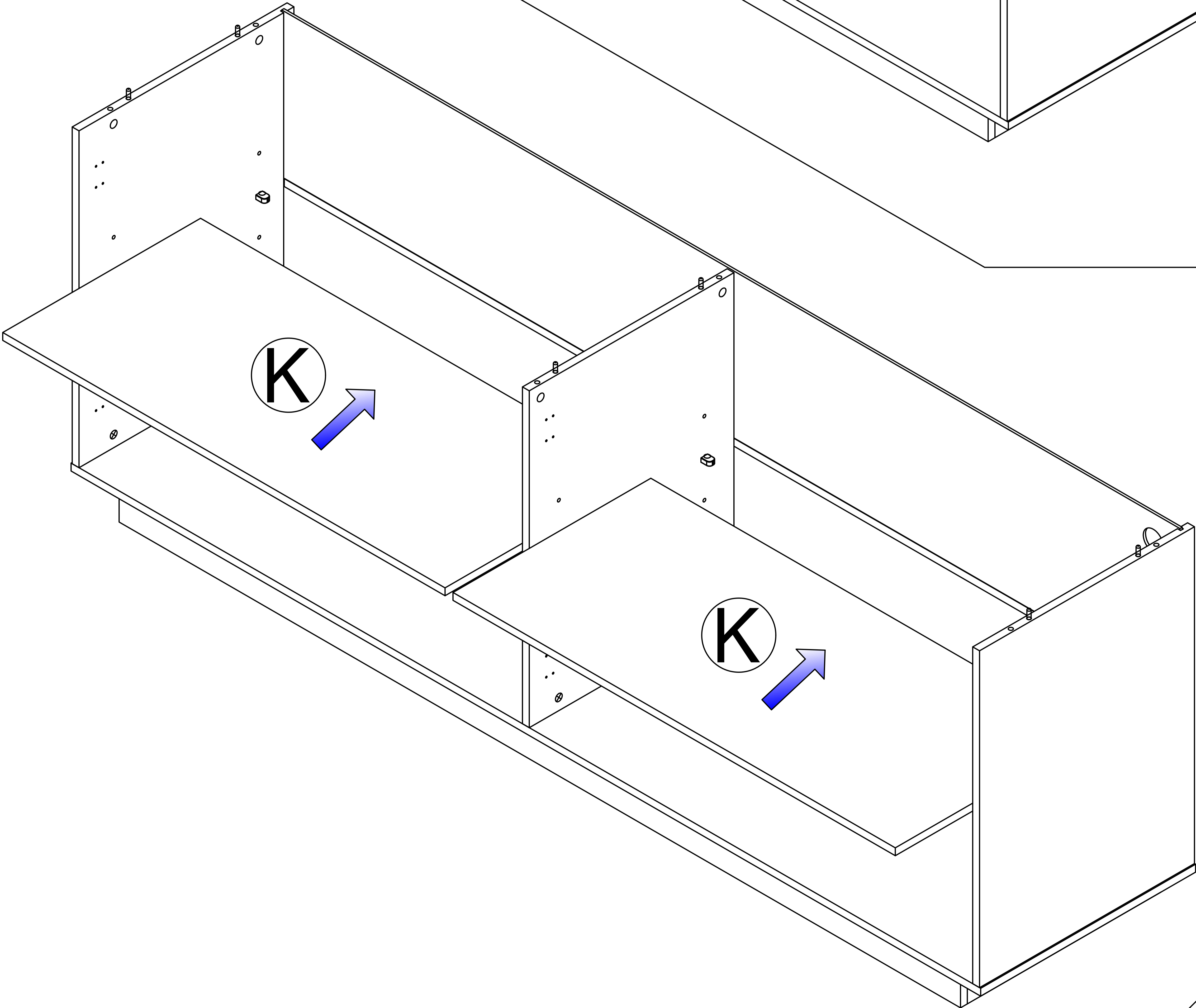
Pay attention to the position of the hole

Step 18

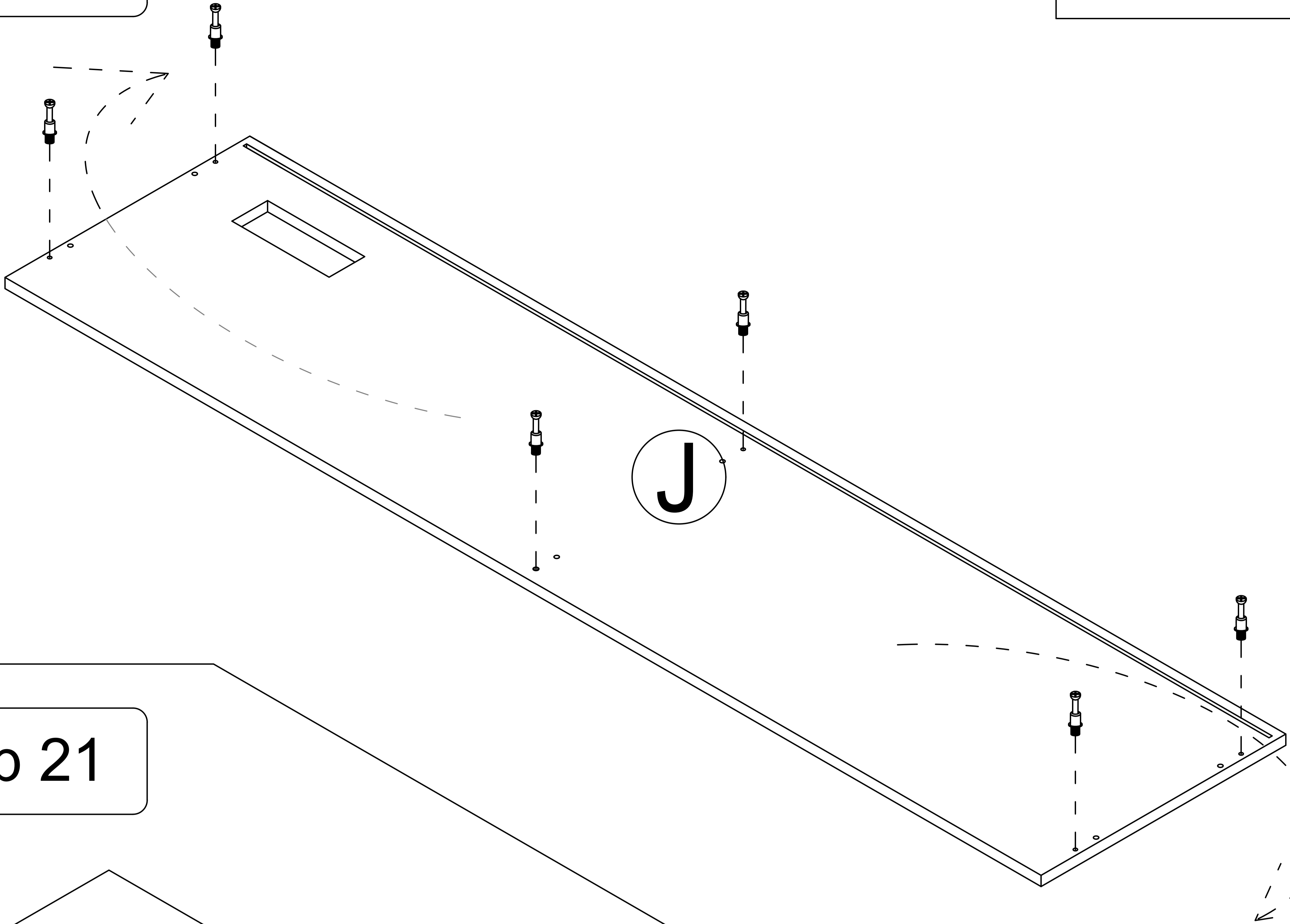
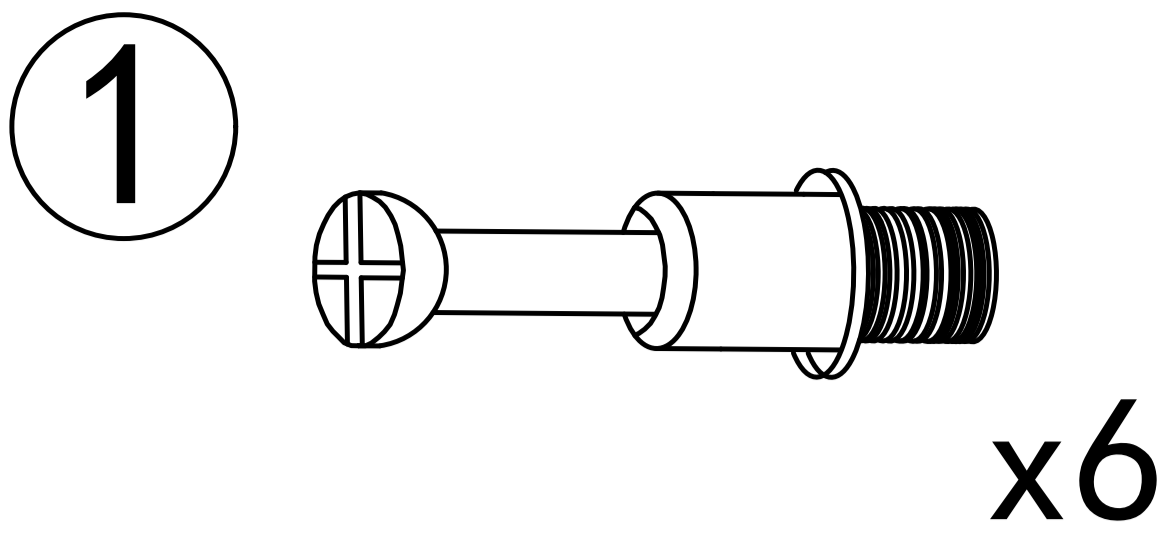
6  x8



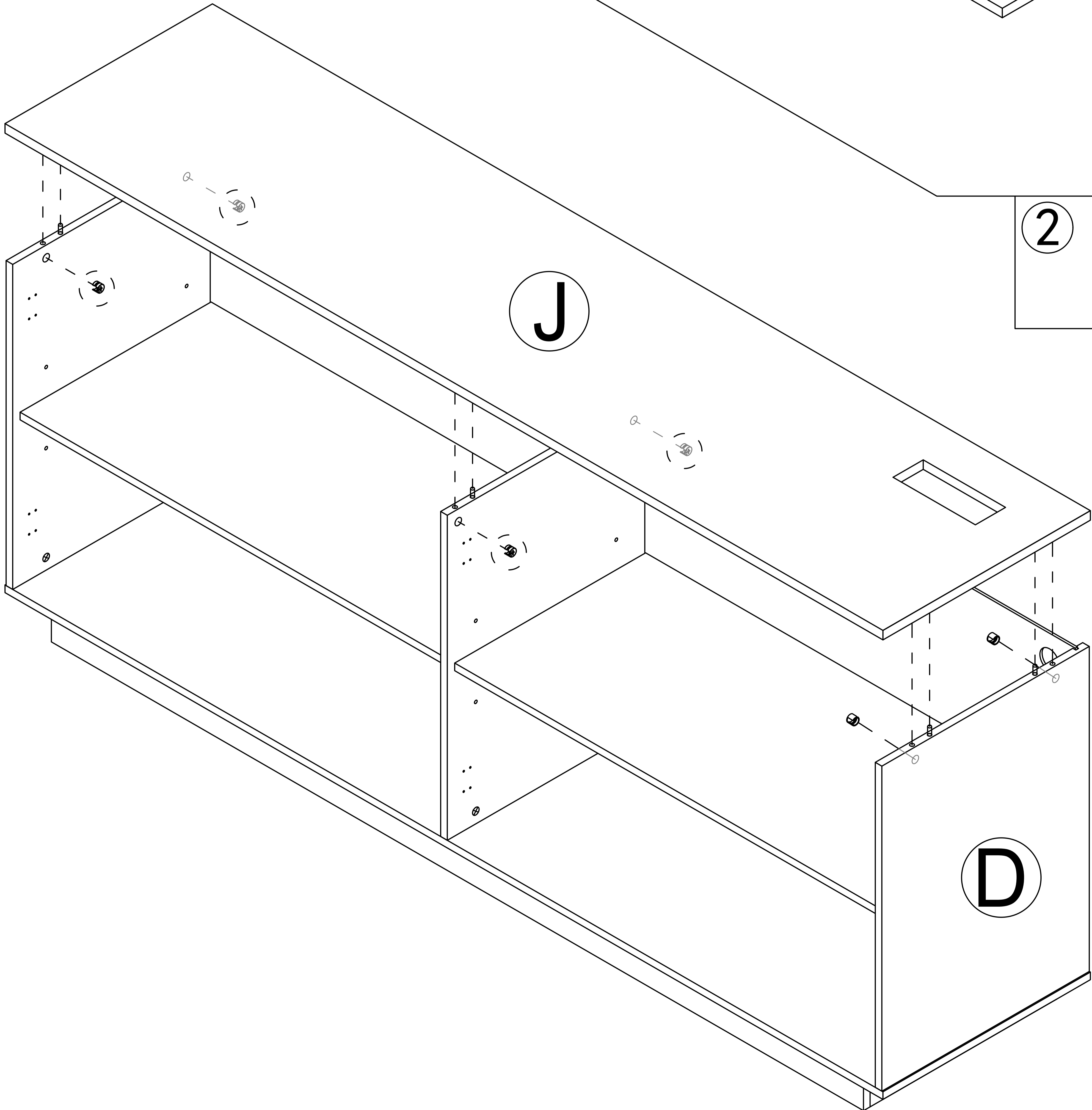
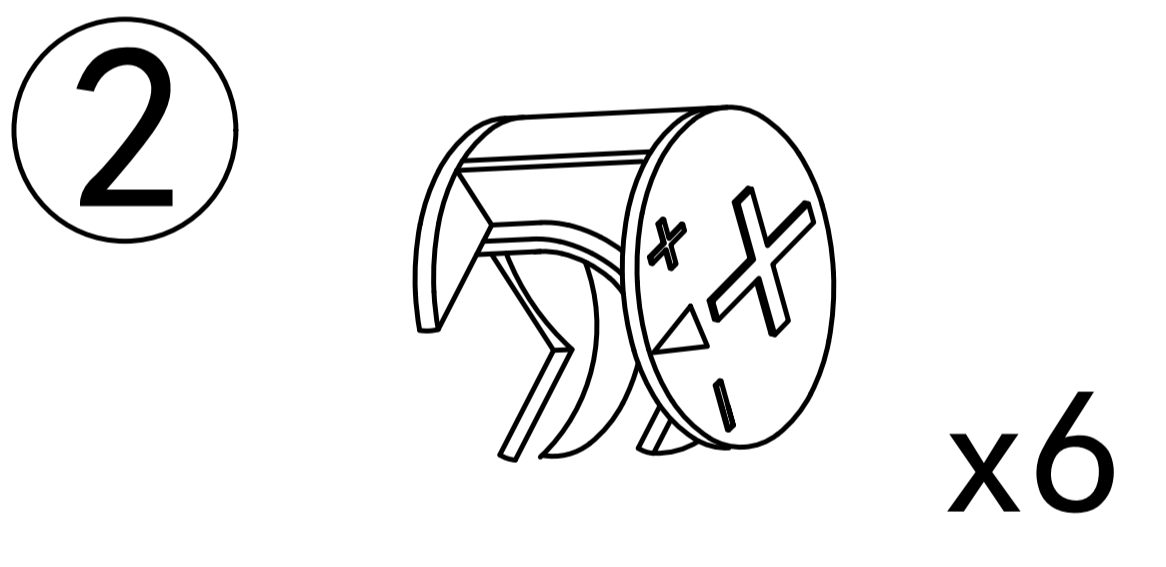
Step 19



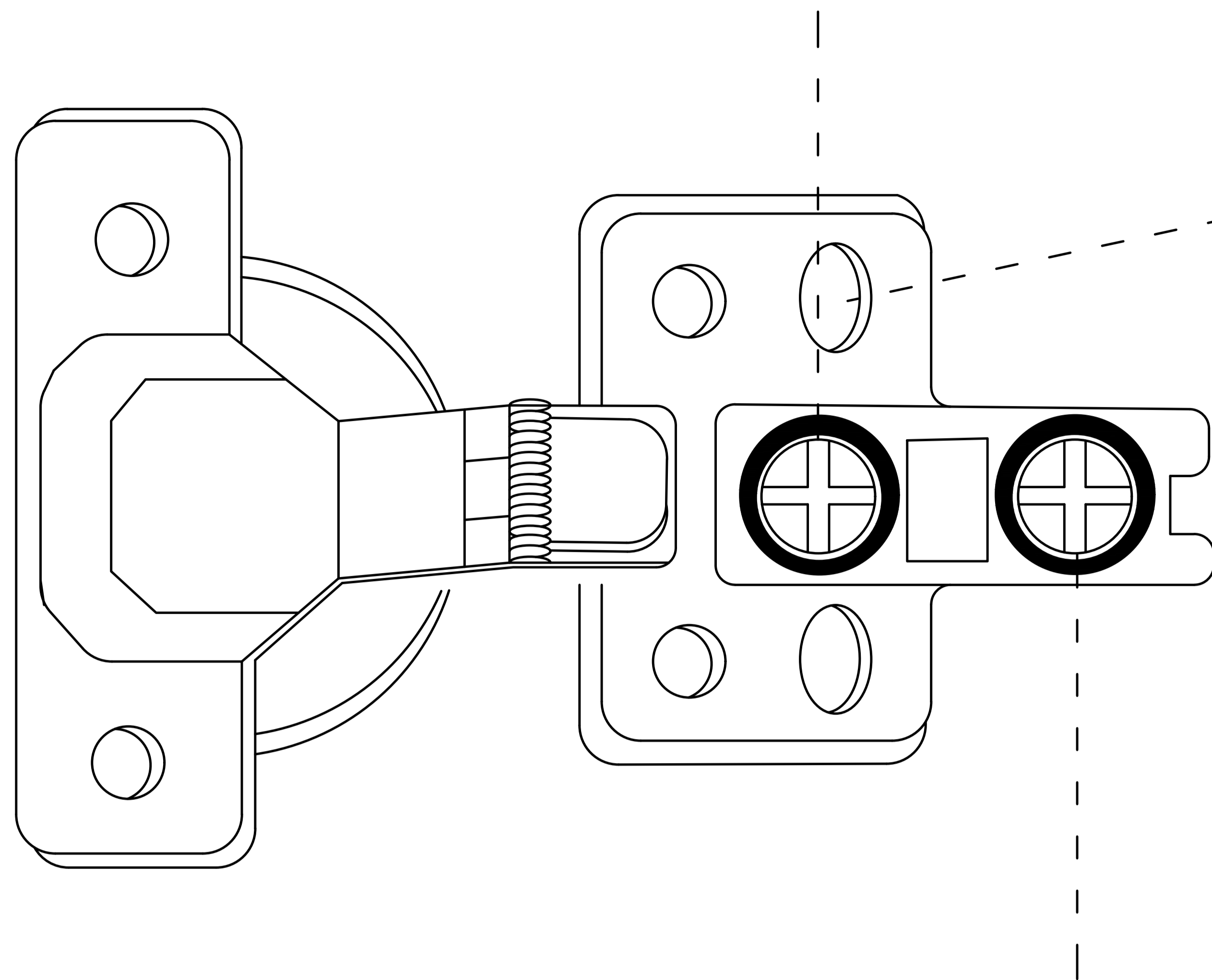
Step 20



Step 21



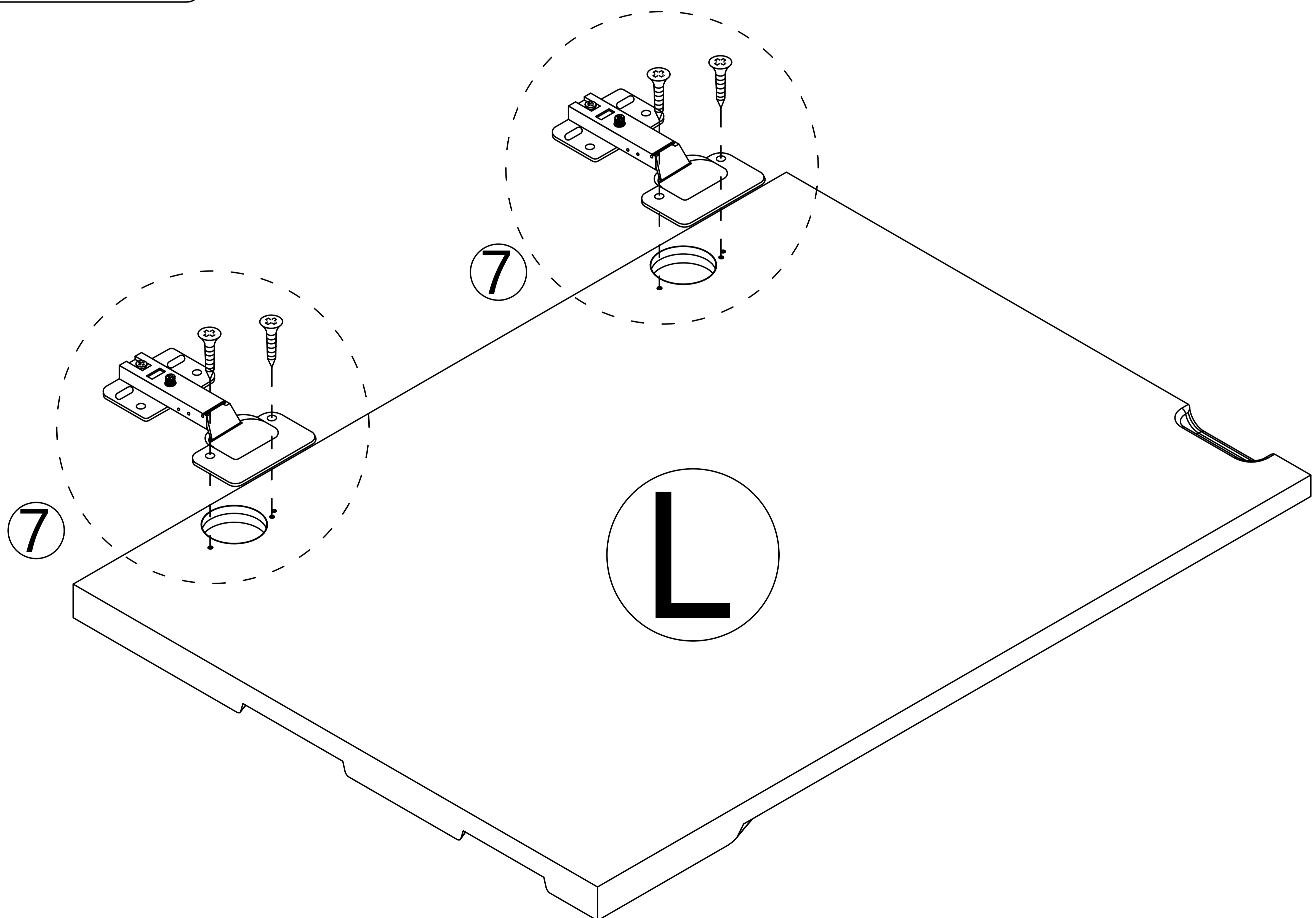
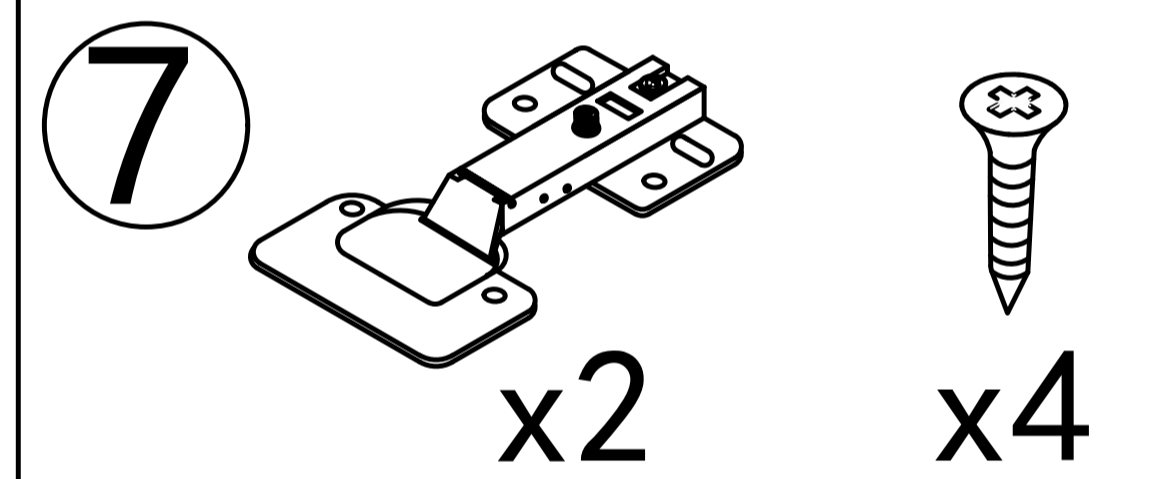
Turning this screw can effectively adjust the size of the door gap.



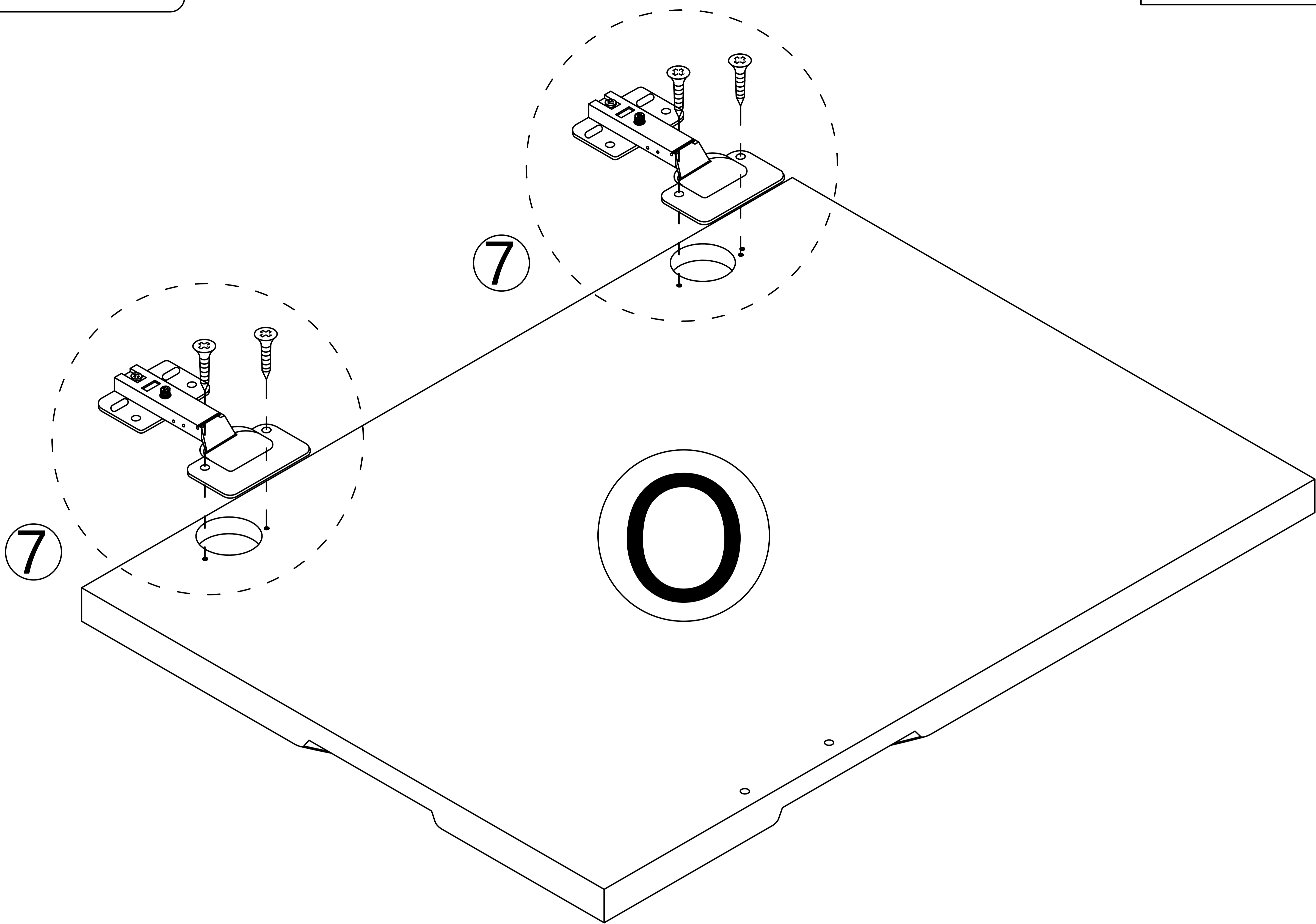
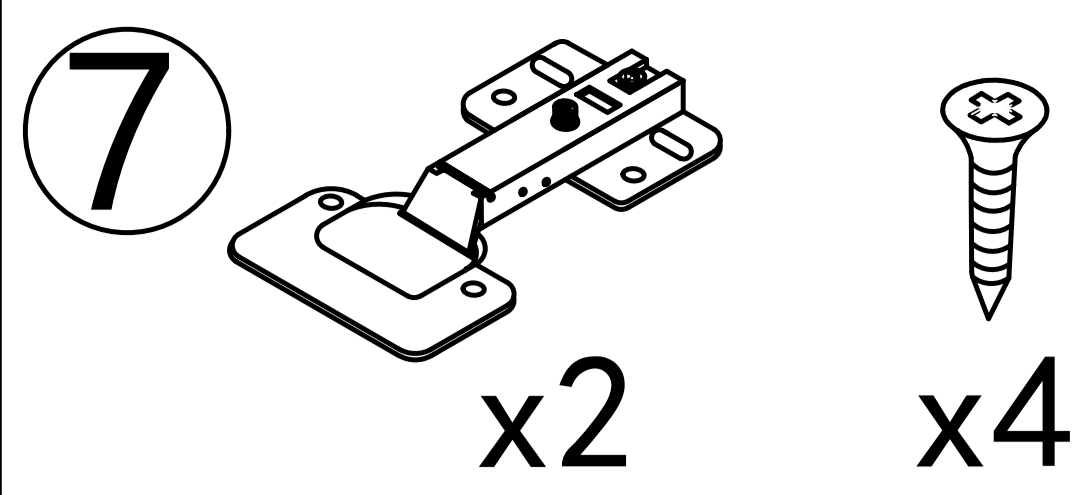
Adjust hole control the up and down height of the door

Turn this screw to adjust the door panel to be flat with the side panel.

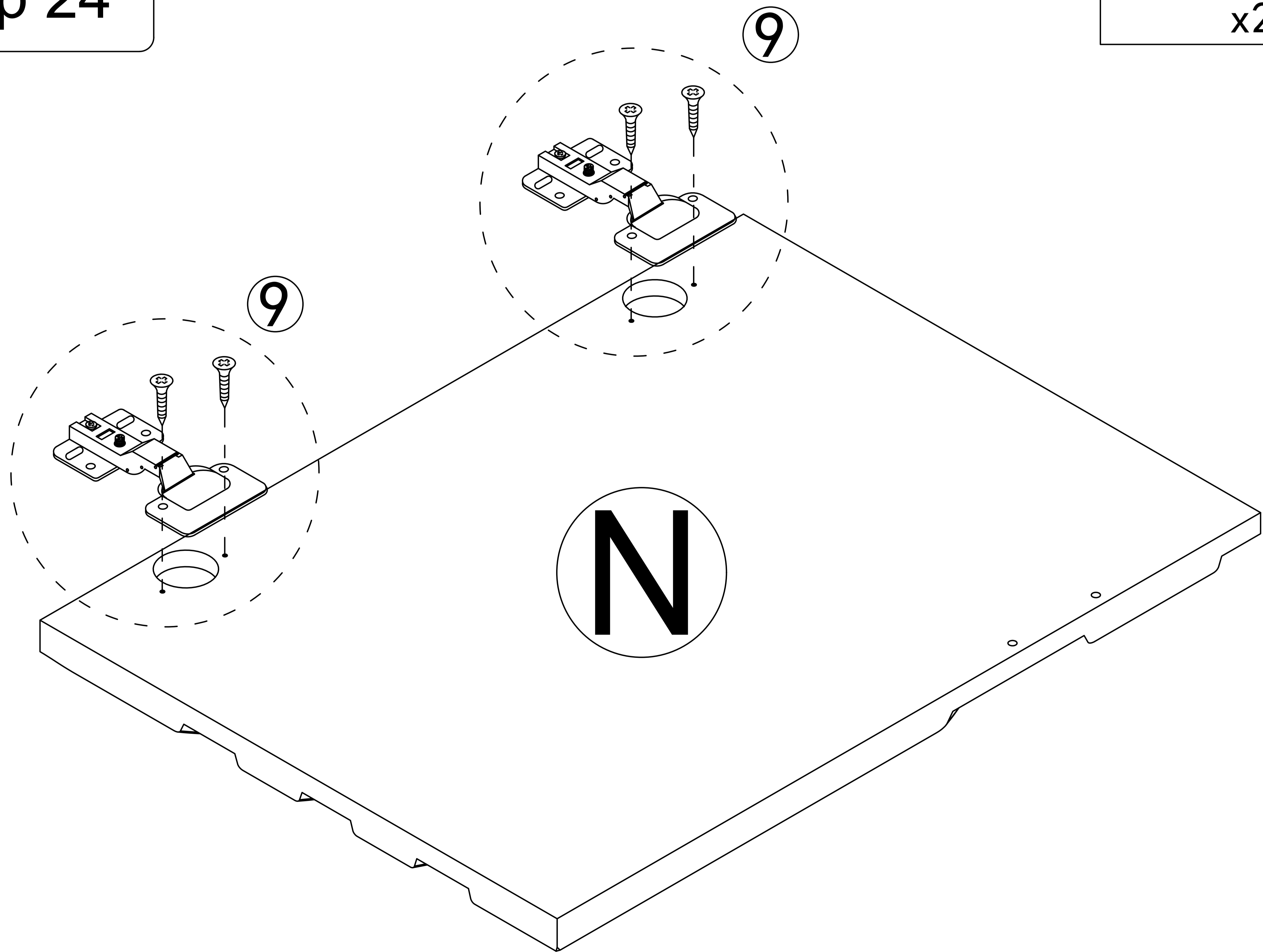
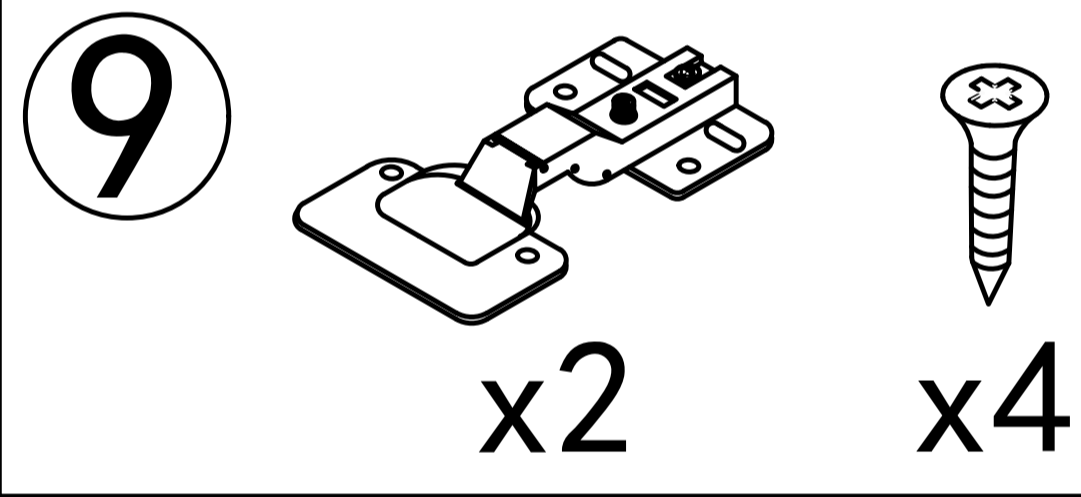
Step 22



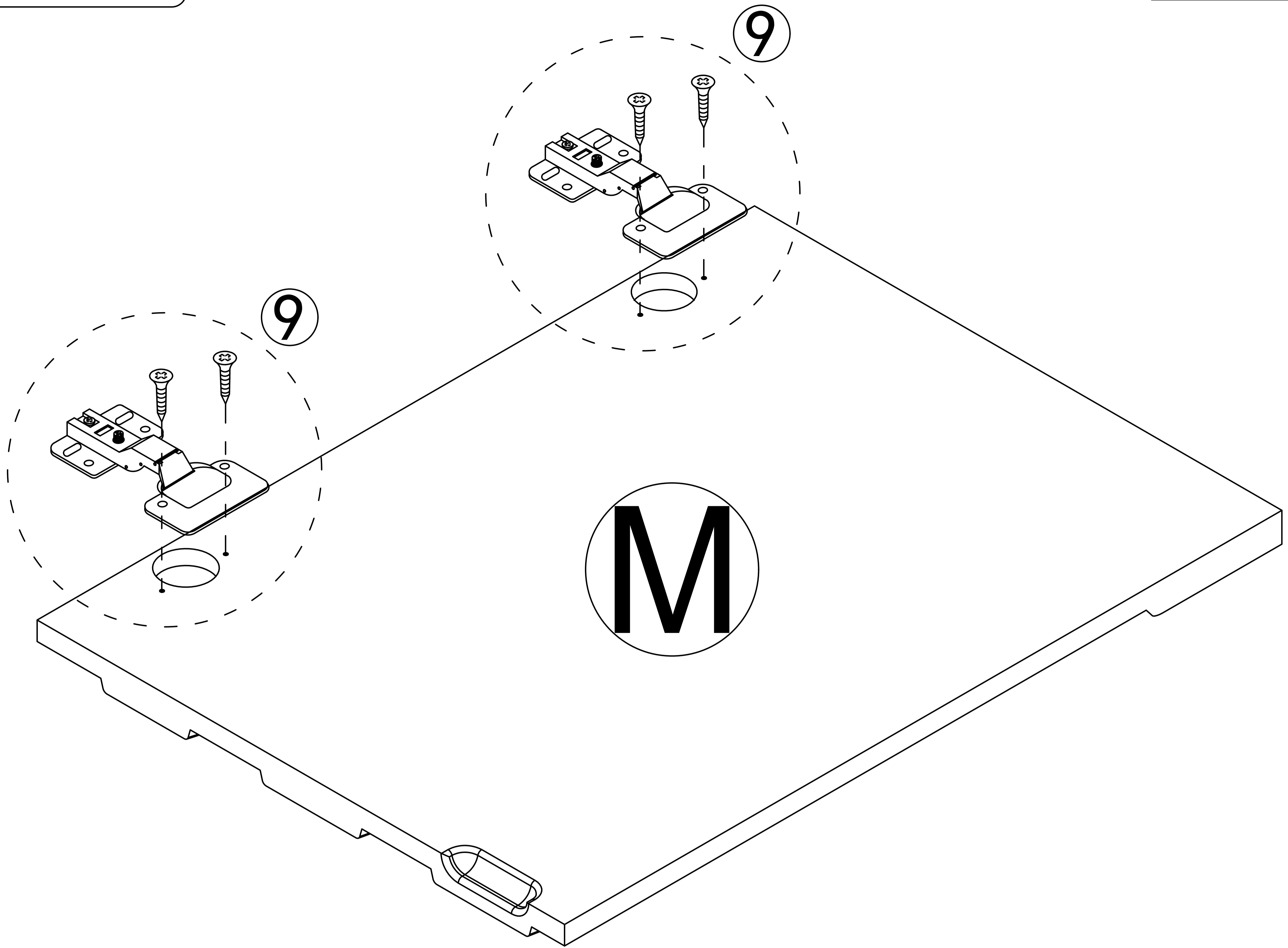
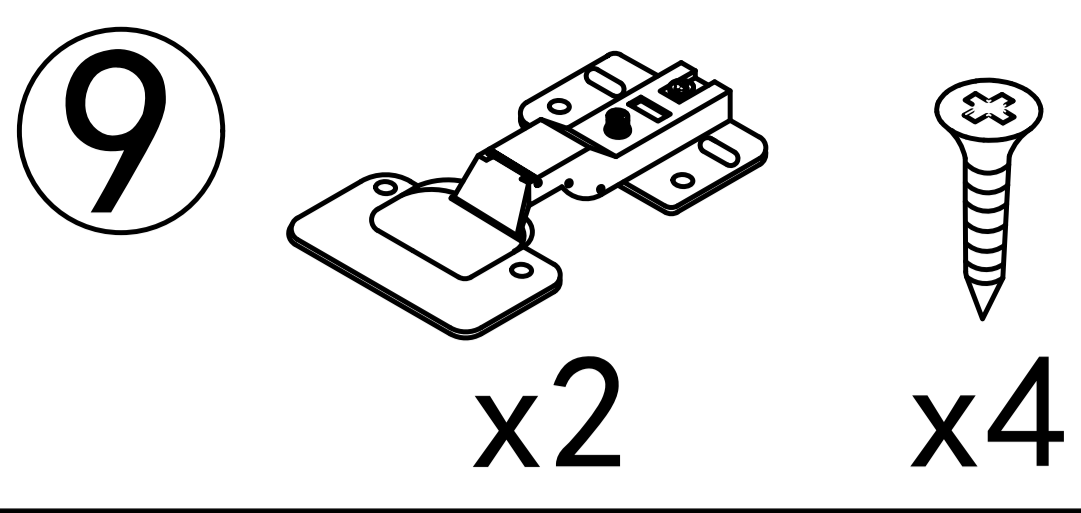
Step 23



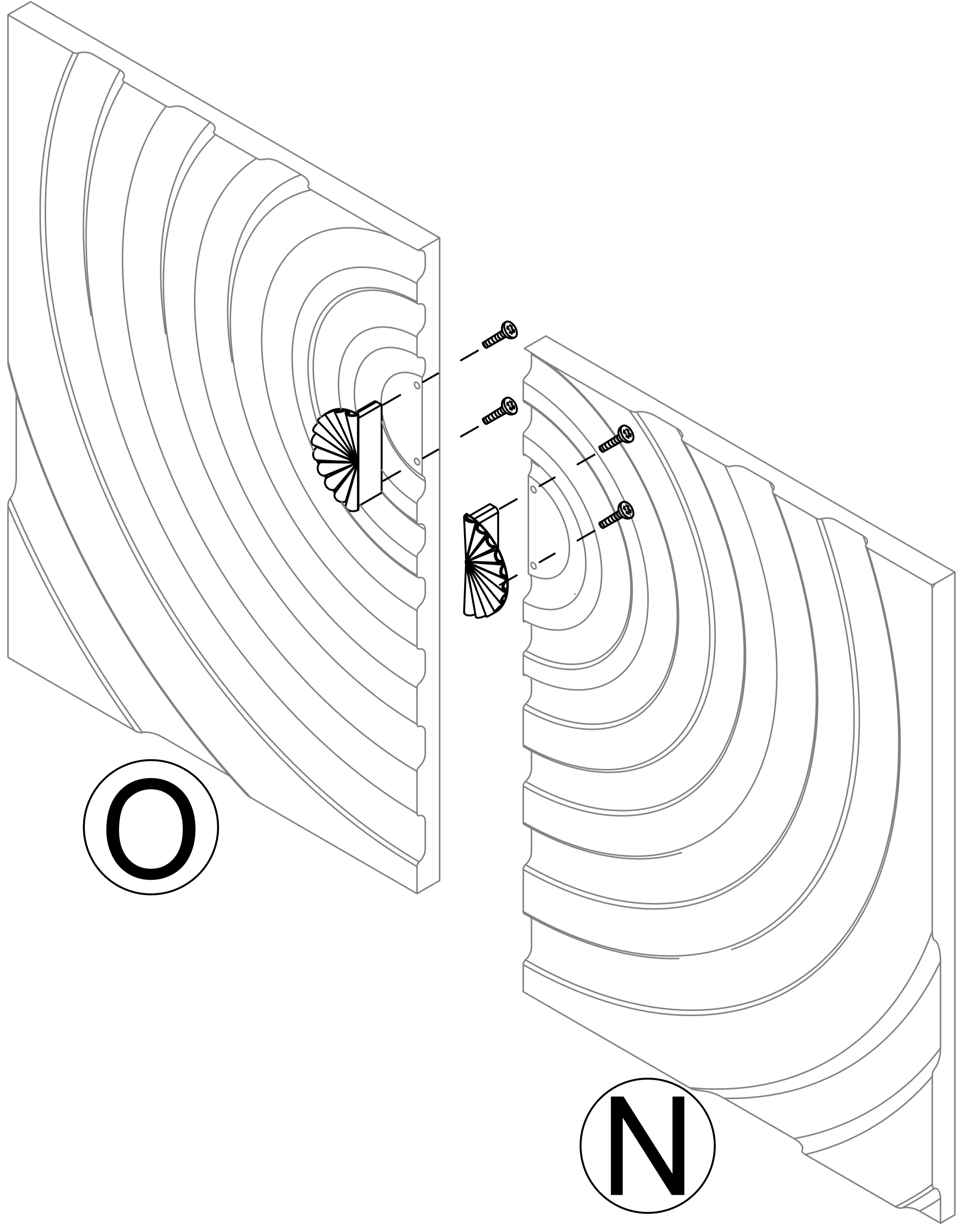
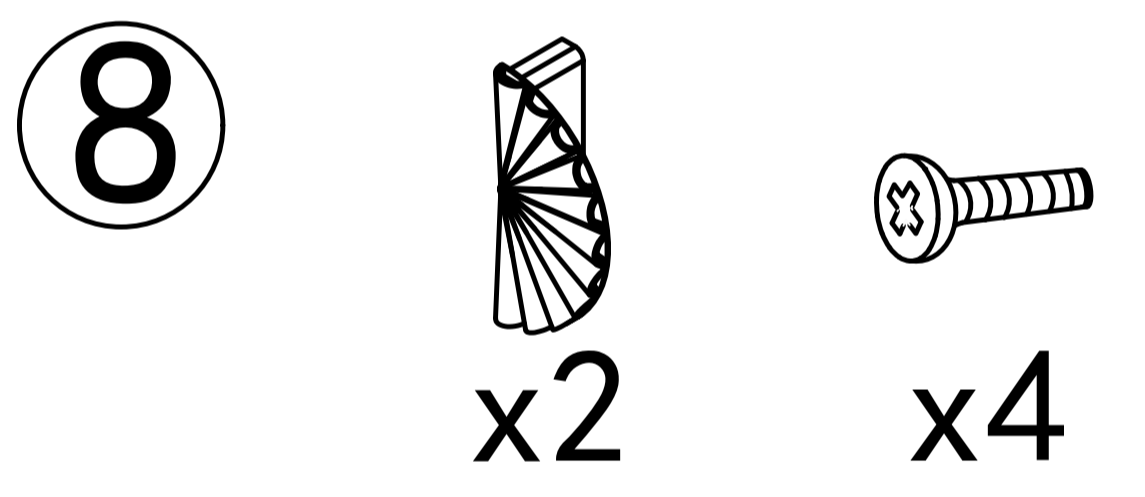
Step 24



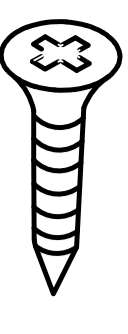
Step 25

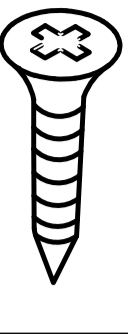


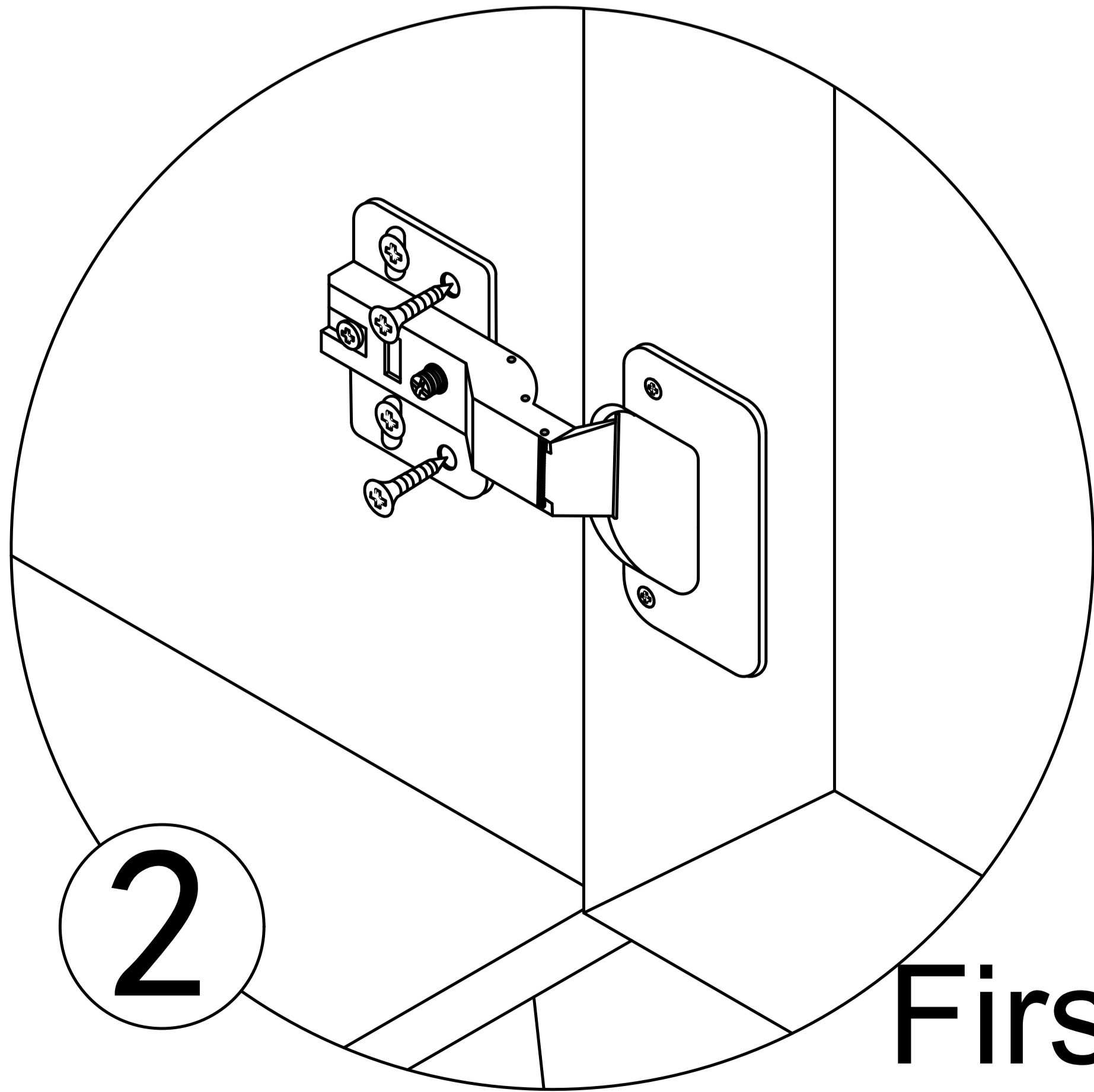
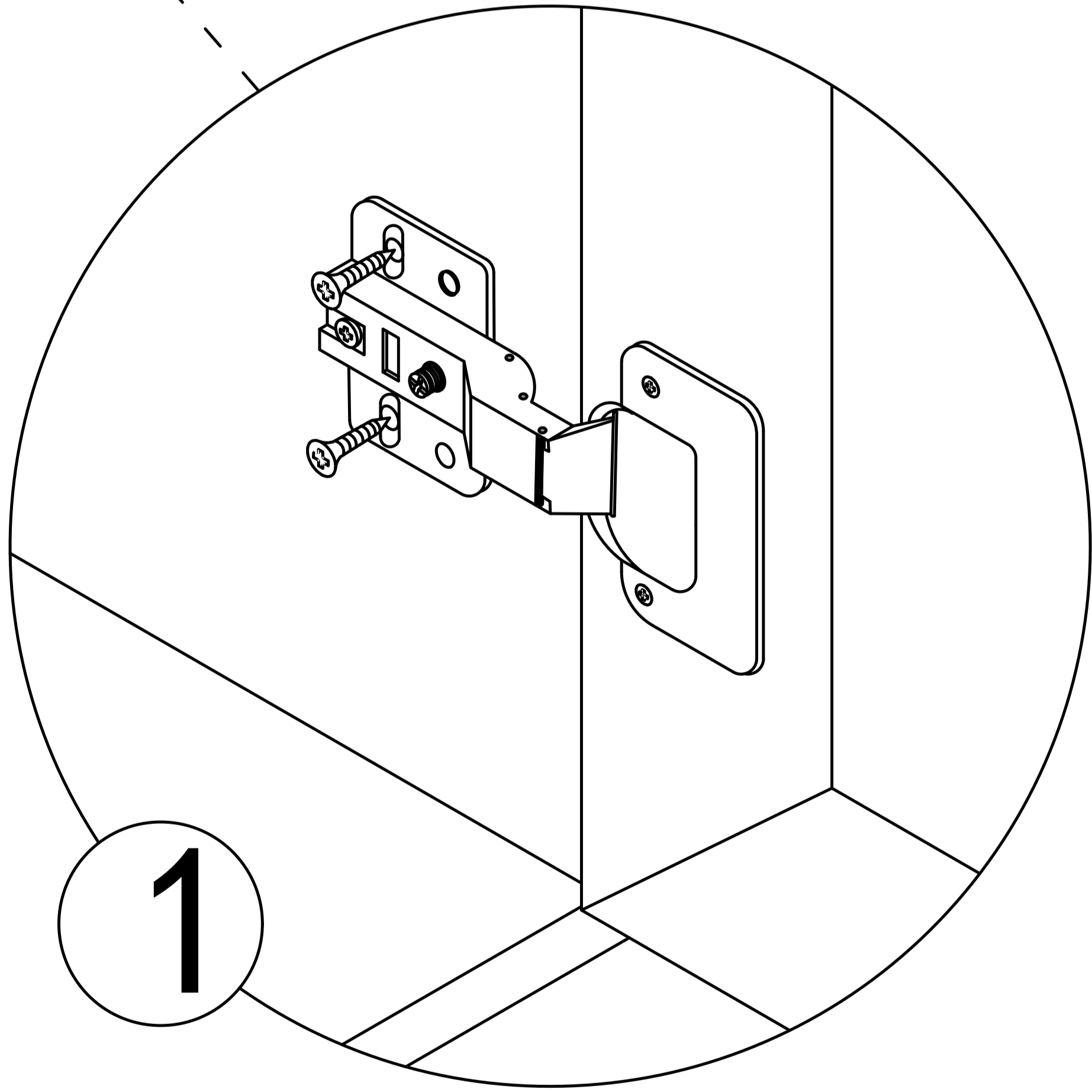
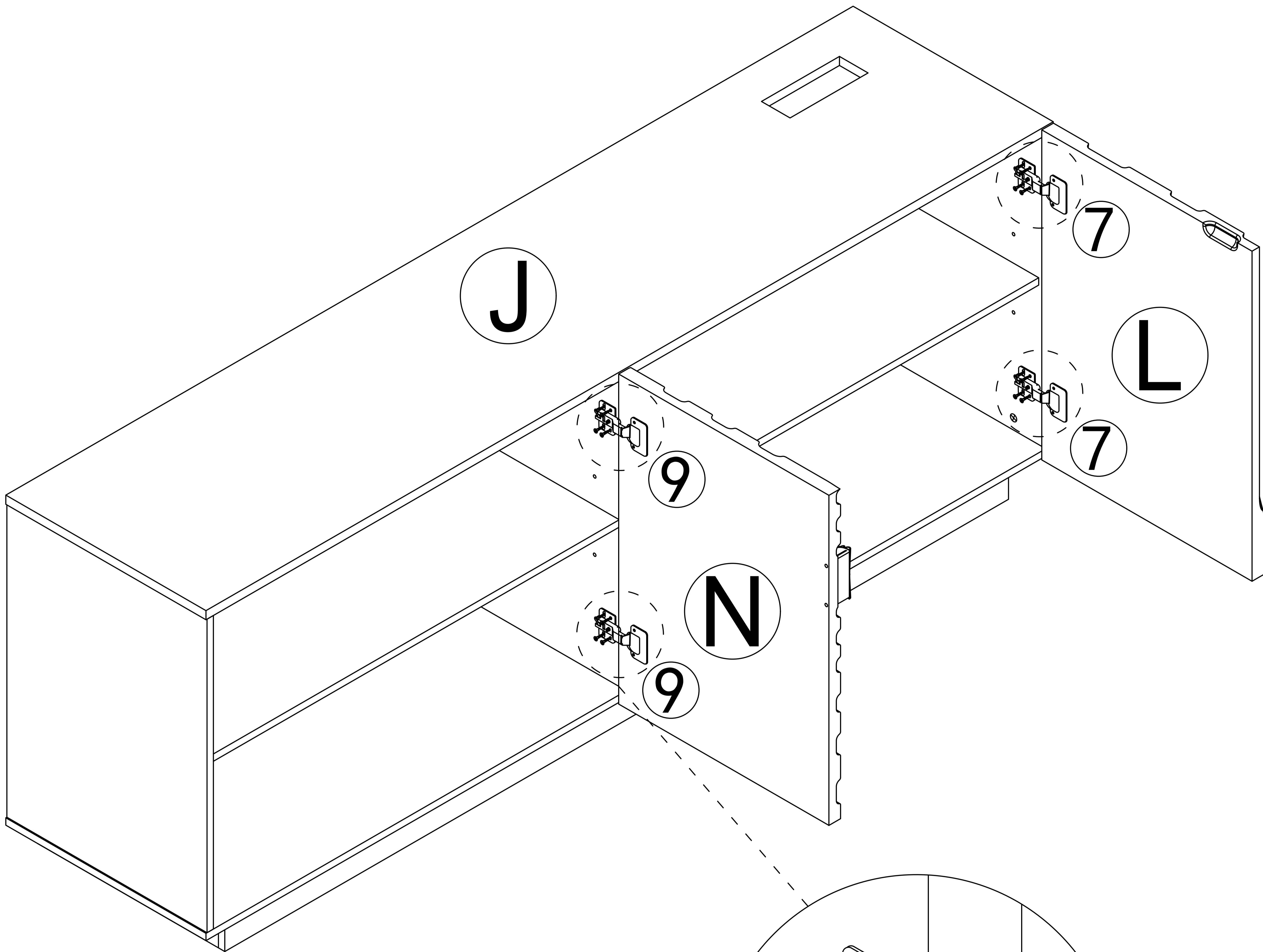
Step 26



Step 27

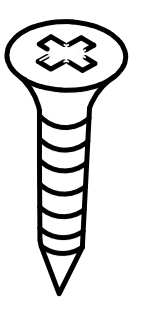
7  x8

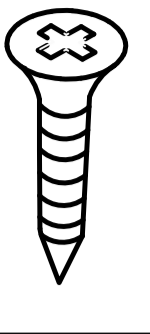
9  x8

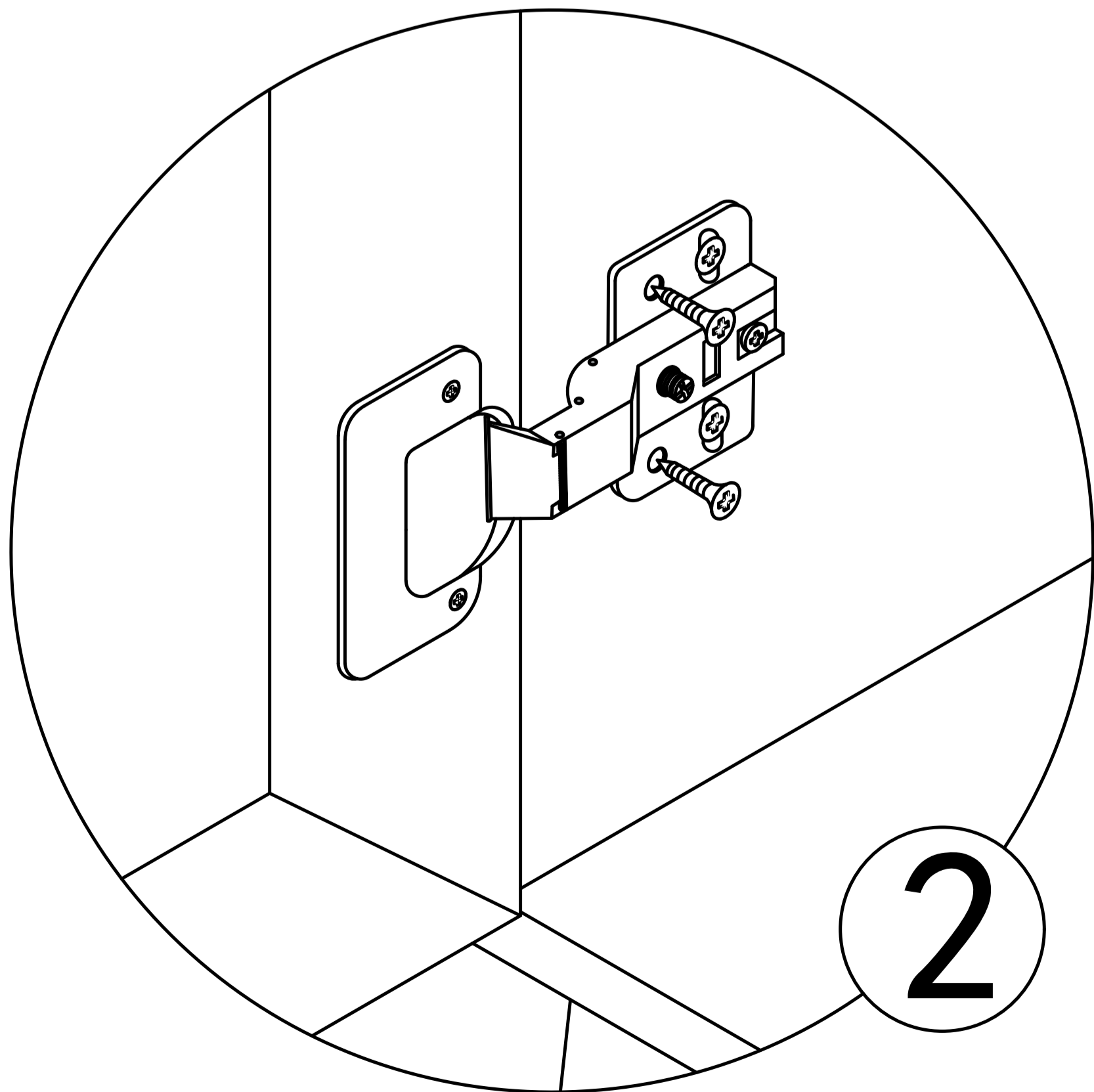
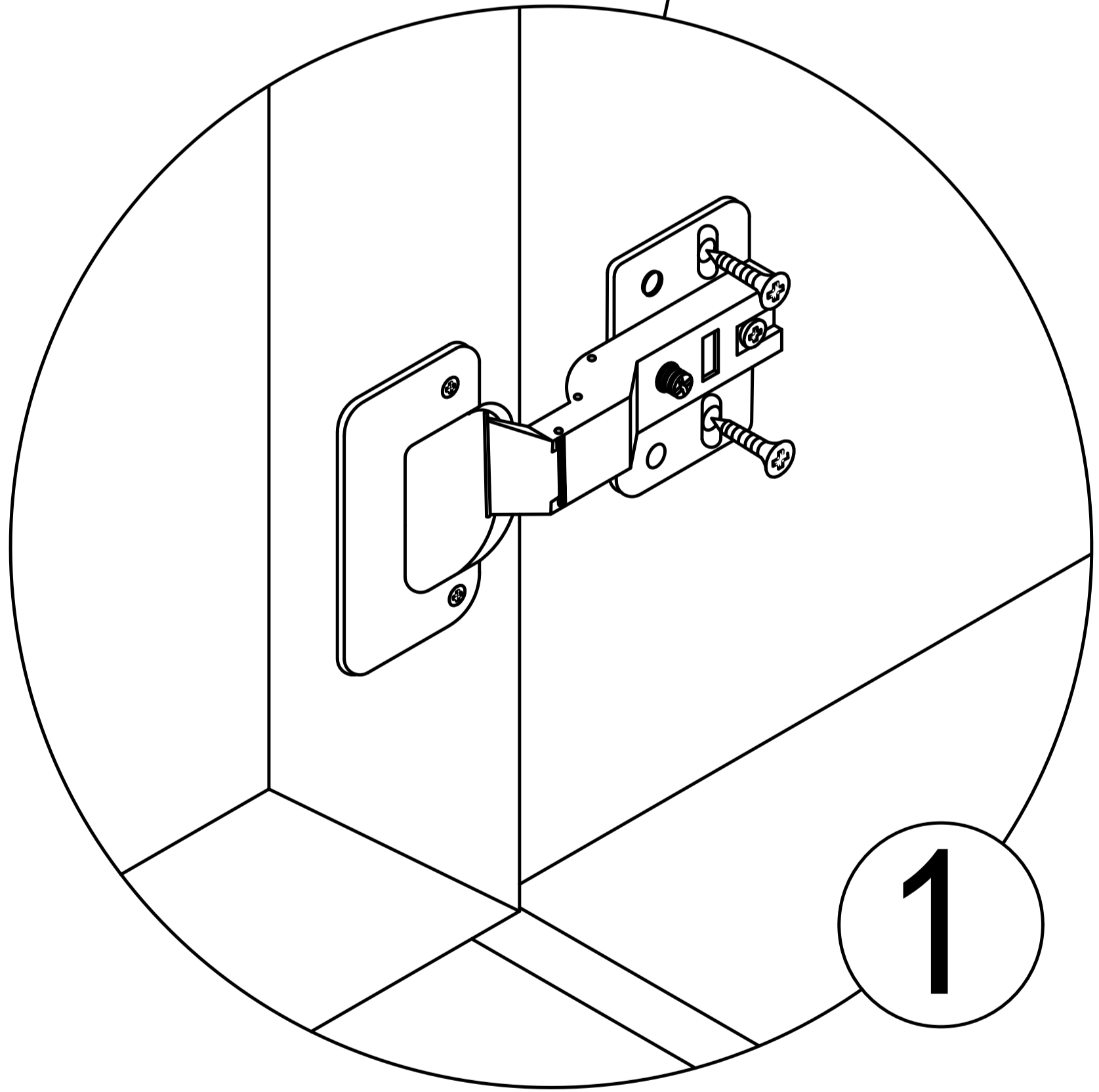
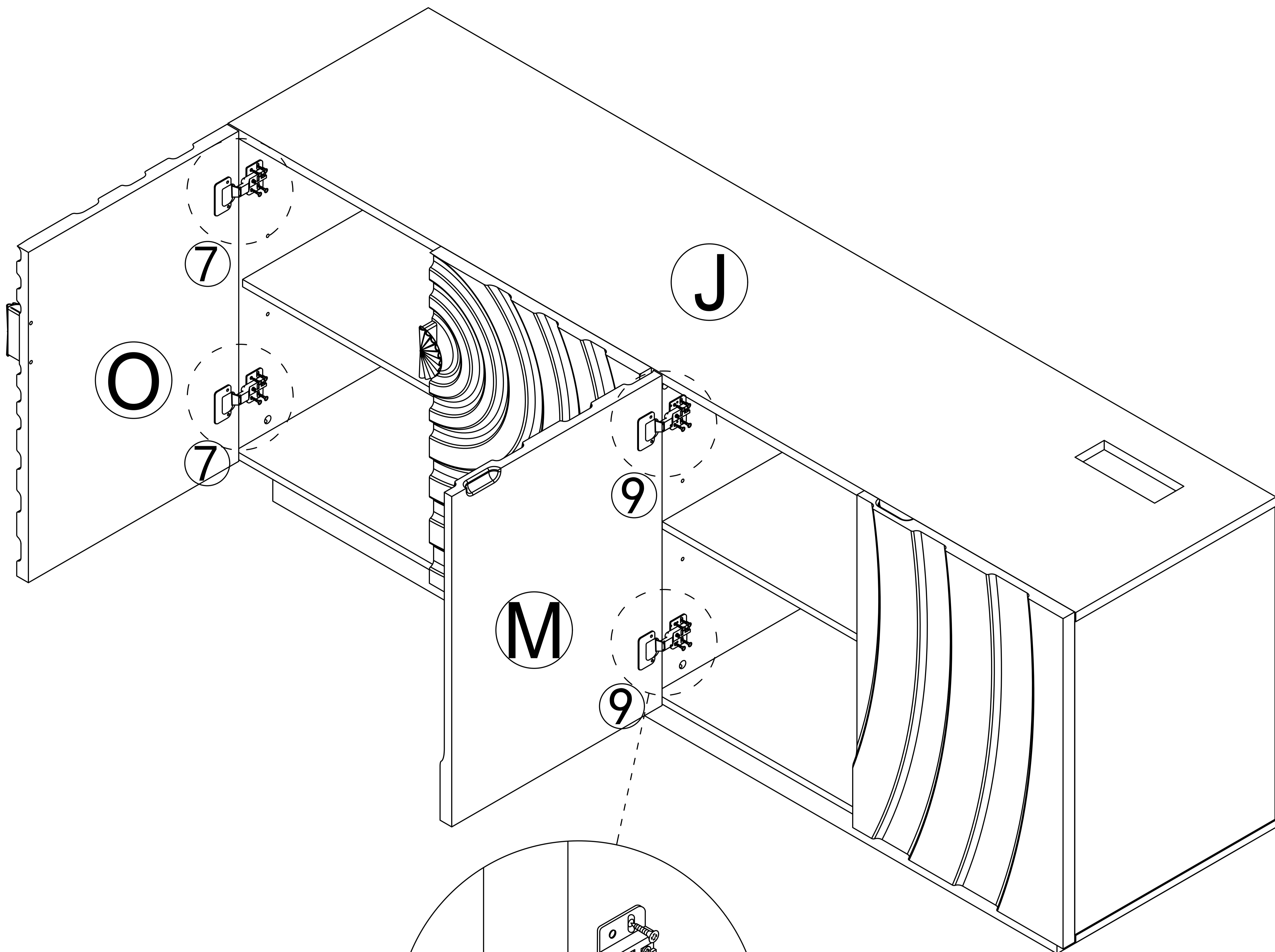


First lock the elliptical hole
then lock the fixed hole

Step 28

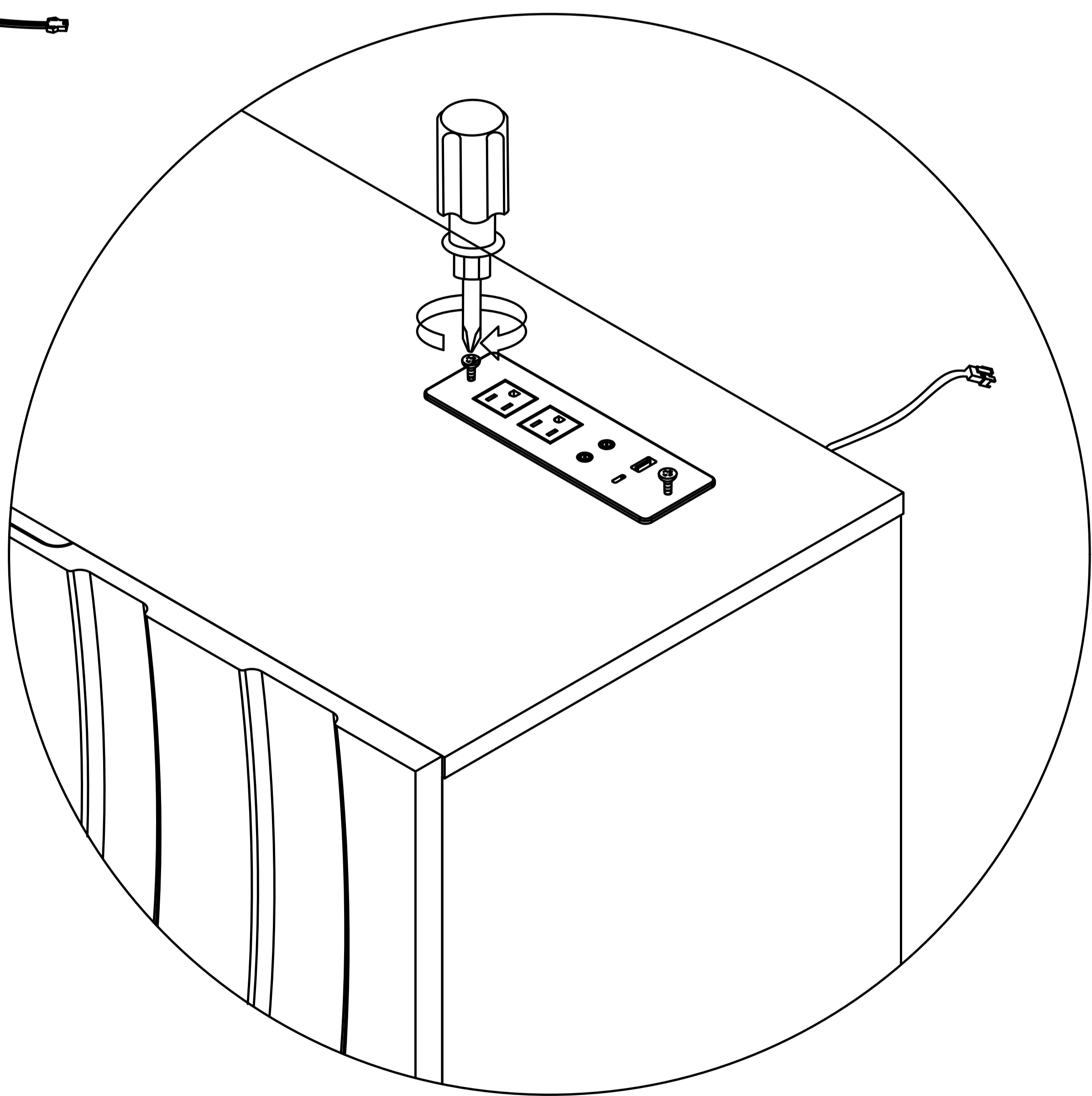
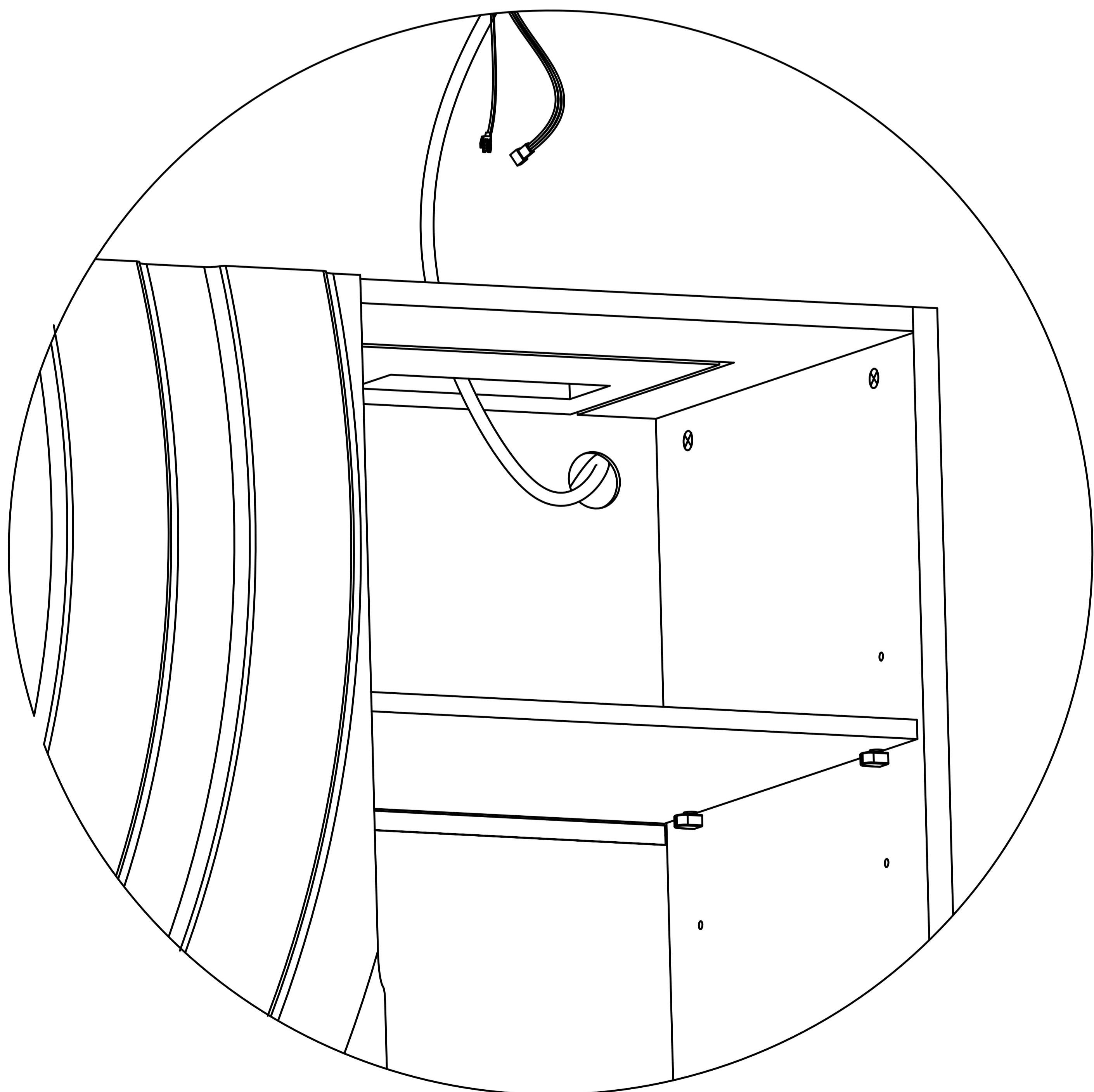
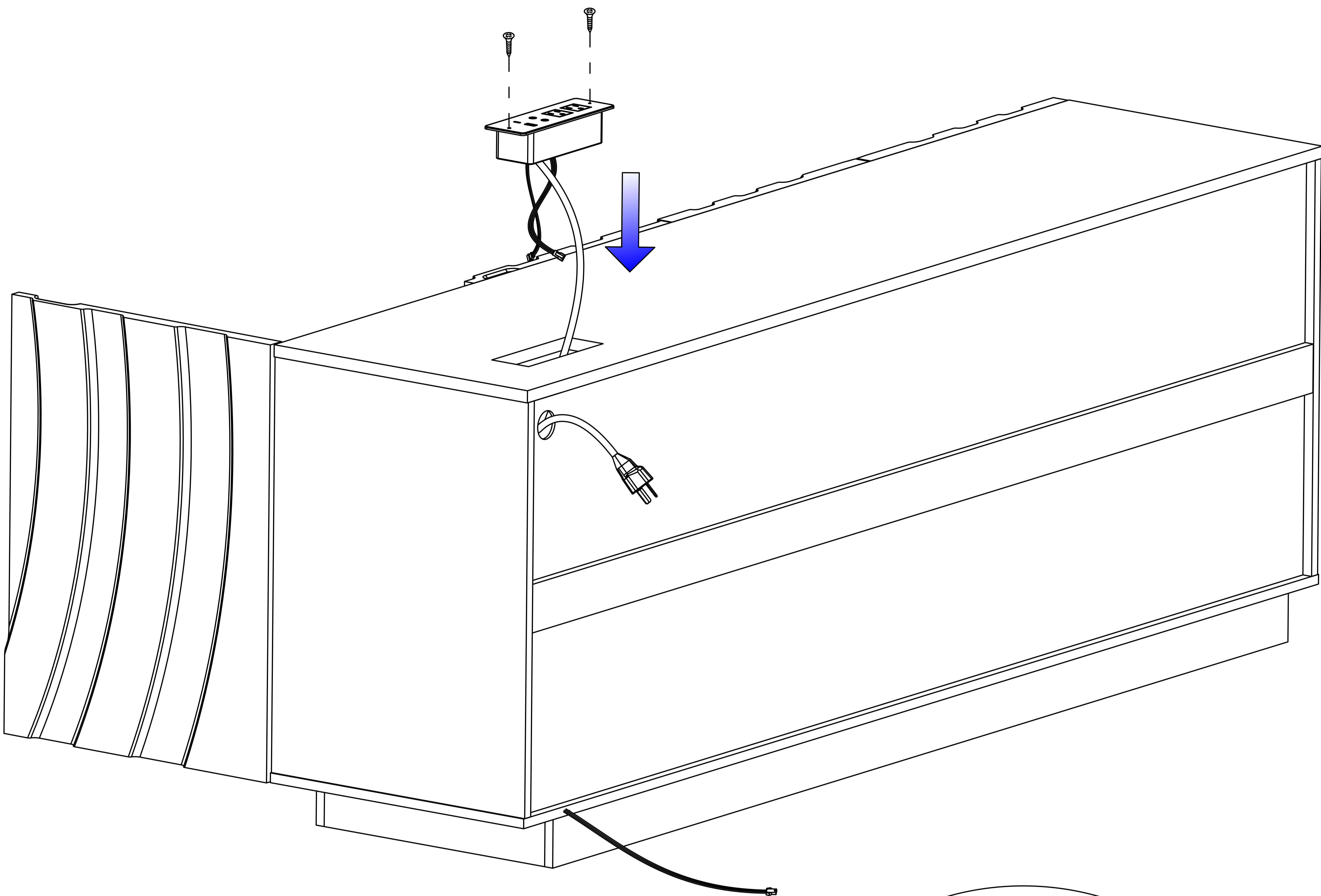
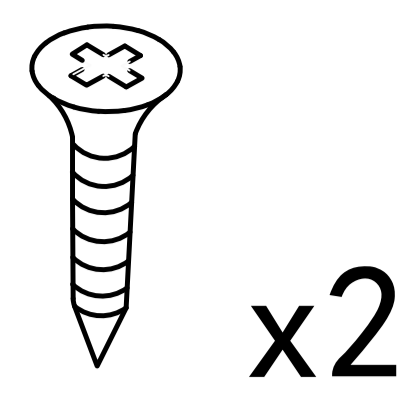
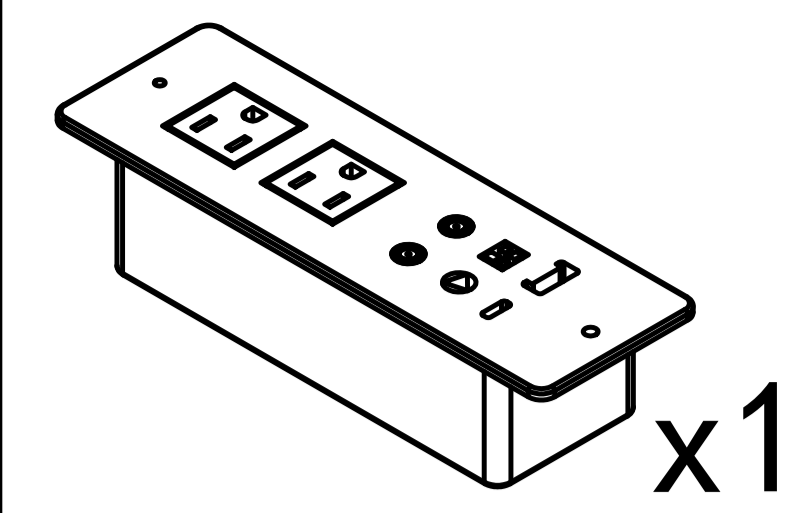
7  x8

9  x8



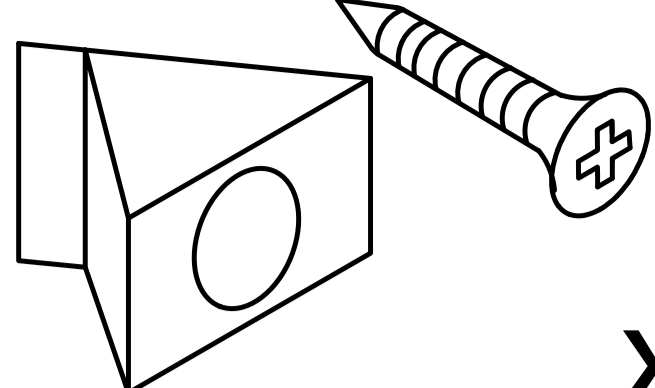
First lock the elliptical hole
then lock the fixed hole

Step 29

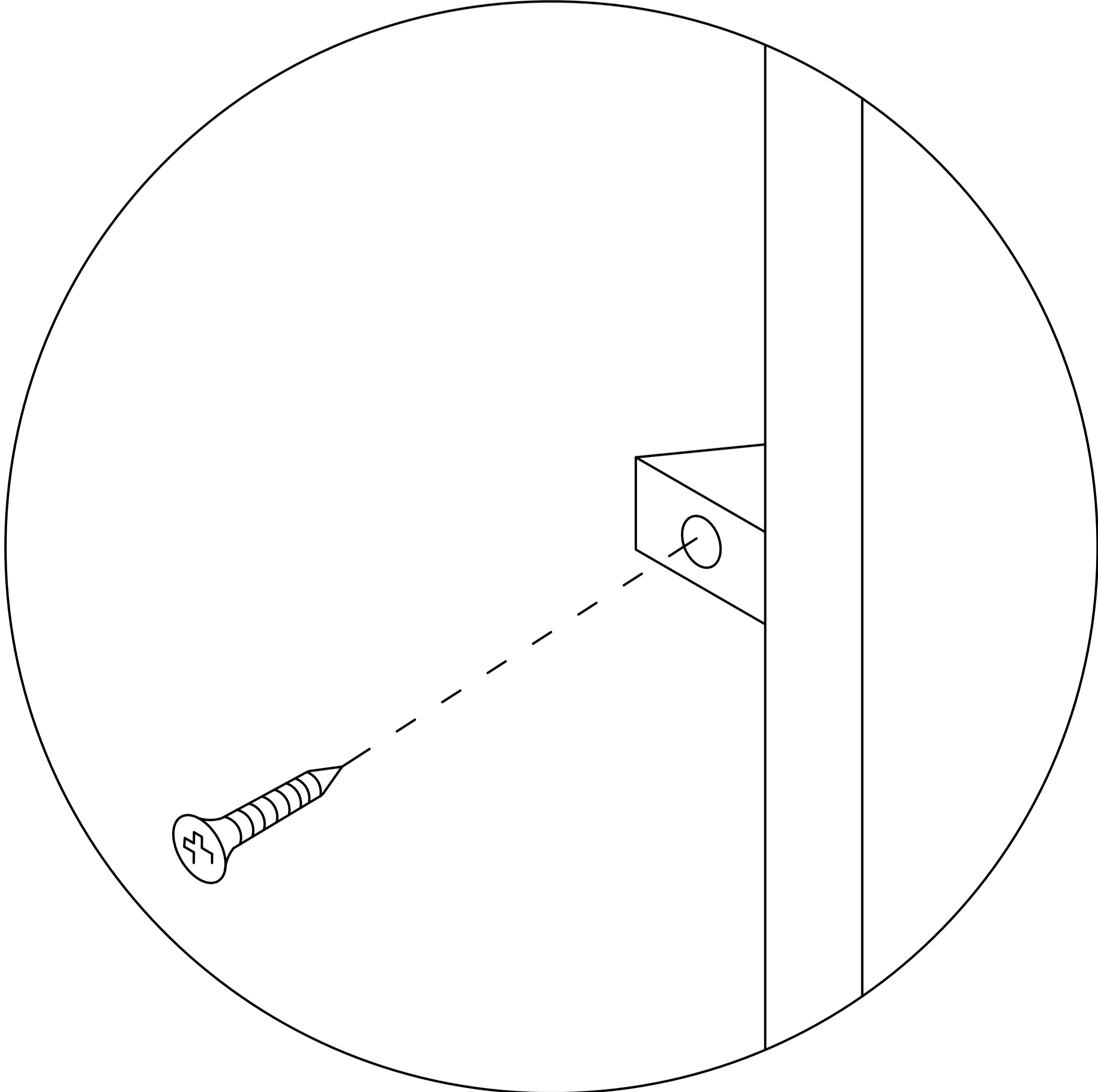
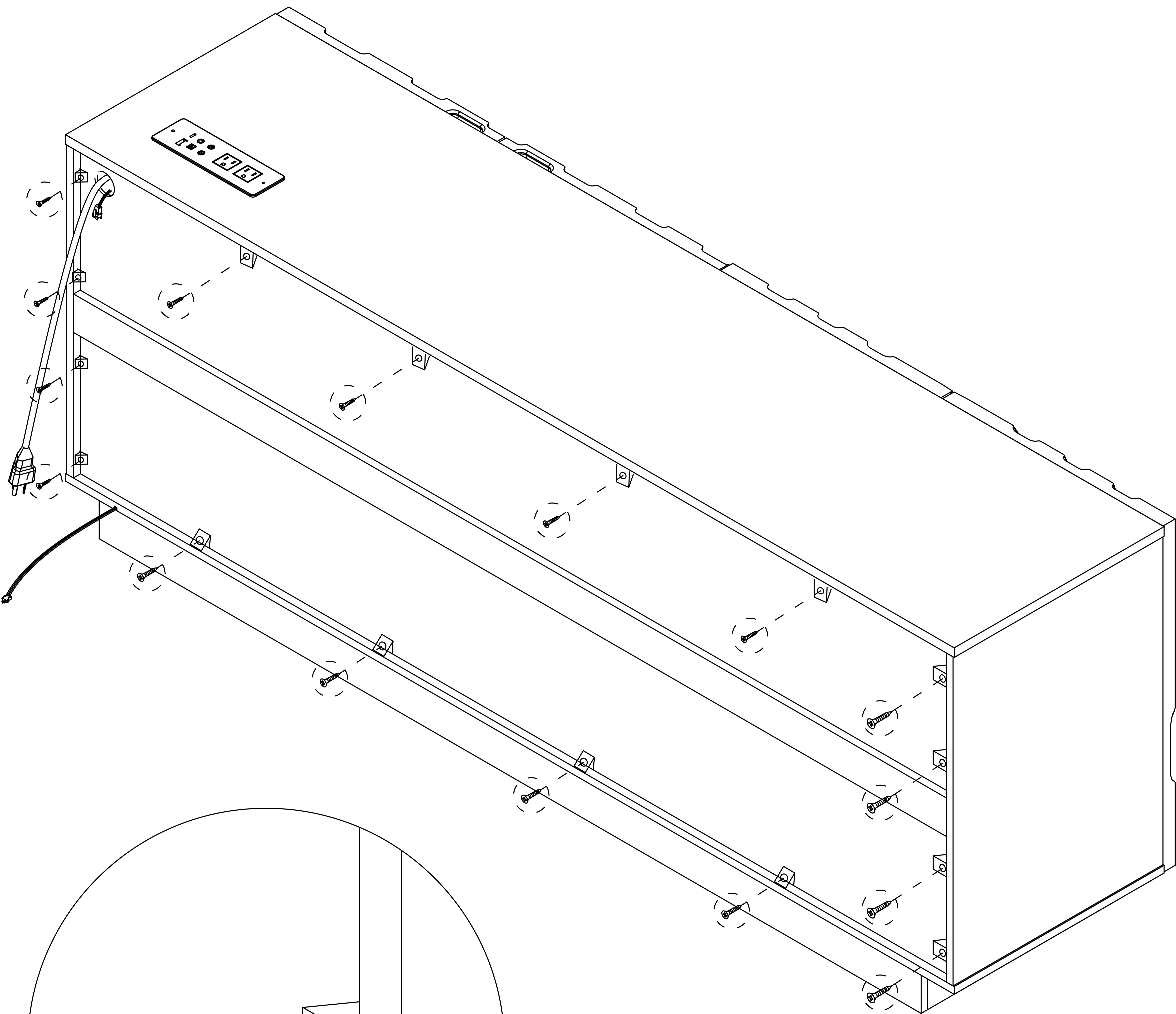


Step 30

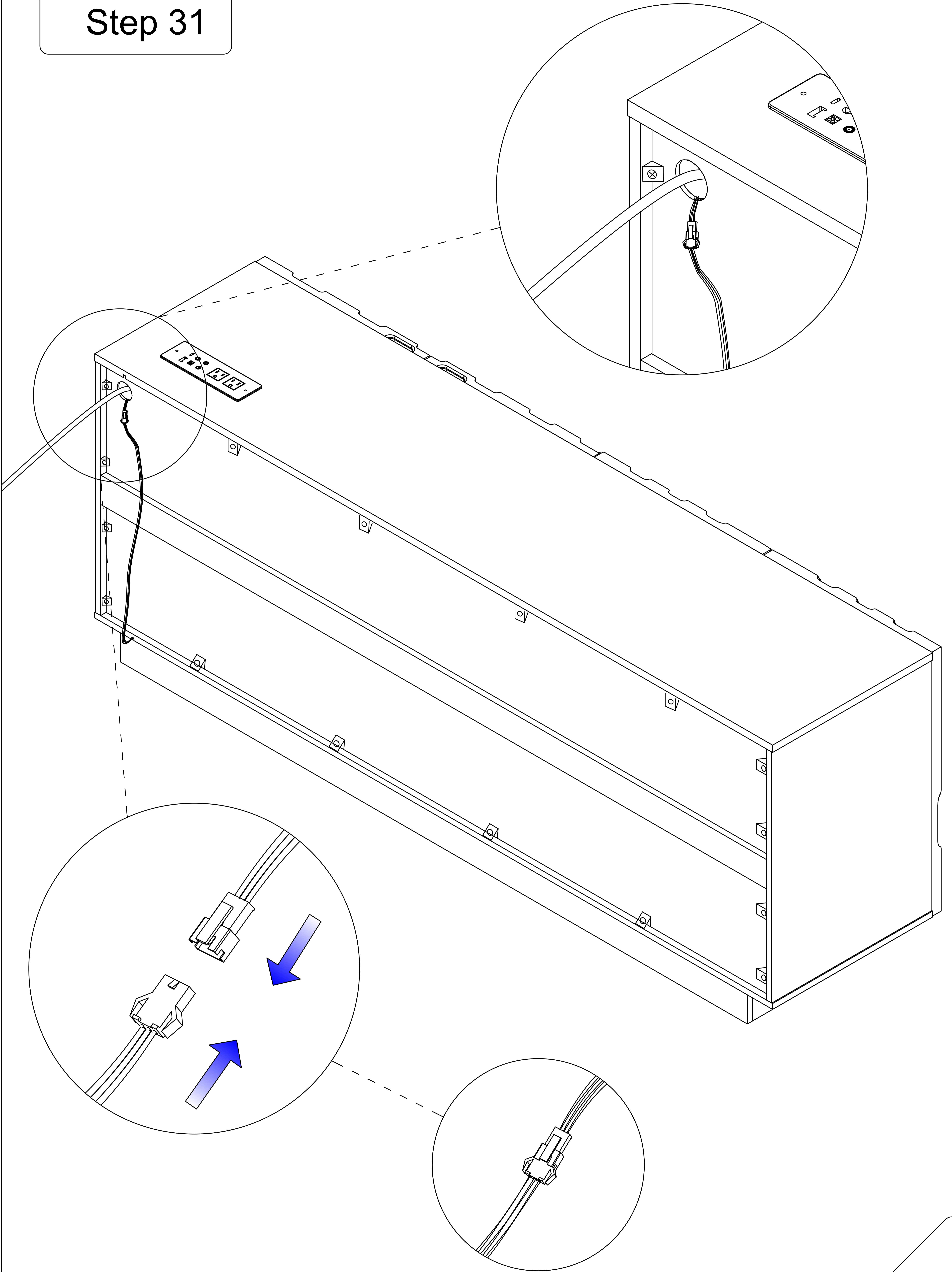
10



x16



Step 31



User's Guide

Thank you for purchasing this product.

To use this product, please connect it to a power source.

Please use if the product works normally after connecting to power.

Introduction

The box is an intelligent controller.

It has 1 USB output port 1 Type-c port, and 2 socket outlets.

With 2 touch buttons, it can and turn ON/OFF the induction function, turn ON/OFF the light, adjust the light luminance, and change light colors.

The lights can be controlled through both the touch buttons and a dedicated app.



Operation



This touch button is used to turn the light on/off, adjust brightness, and switch the color of the lights.

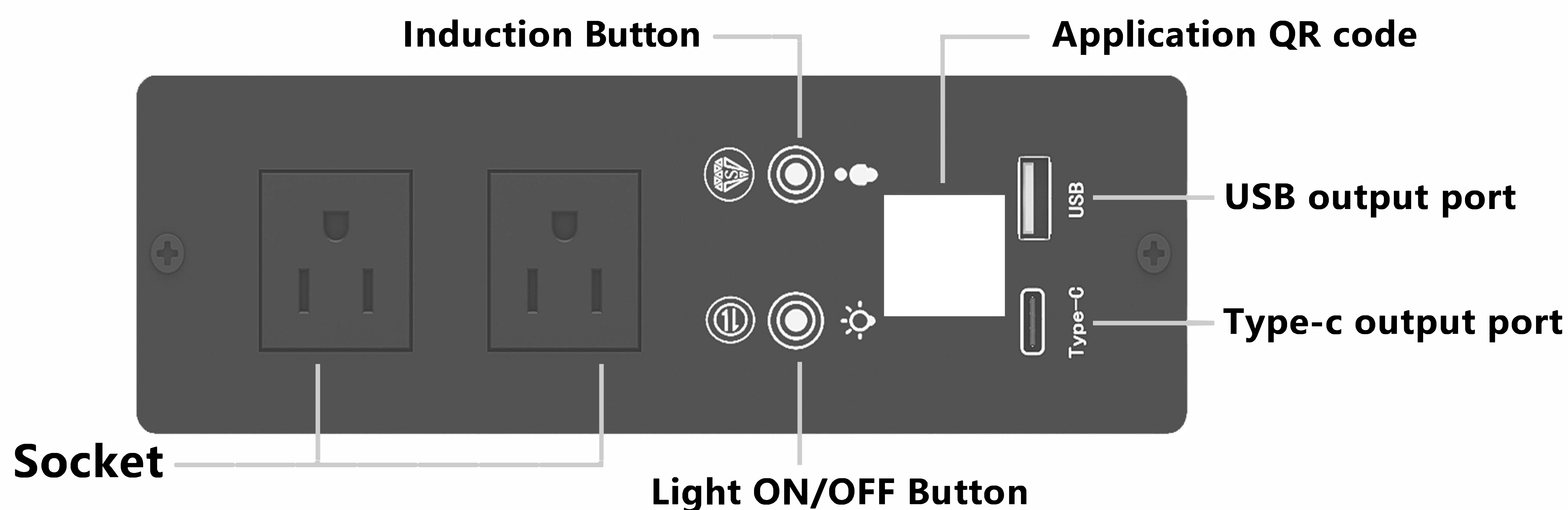
- i. Single Click: Turn the light on/off.
- ii. Quick Double-Click: Switch between 7 static RGB colors.
- iii. Long Press (2+ seconds): Adjust the light luminance.



This touch button is used to switch dynamic phantom colors and turn ON/OFF the induction function.

- i. Single Click: Switch to Phantom Mode, with 5 magical color transformations available.
- ii. Human Body Sensing Control: Long Press (3+ seconds): Turn on (The key press indicator light is on.)
Long Press (3+ seconds): Turn off (The key press indicator light is off.)

By default, the human body sensing is enabled upon initial power-on, and the indicator light is on.



⚠ ATTENTION PLEASE

1. If there is no touch response suddenly, Re-plug the power to reset the touch static electricity.
2. If you have any questions when installing, please feel free to contact us. Thank you.