

# Installation & Assembly



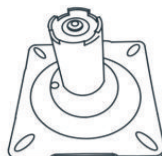
This brochure contains **IMPORTANT** safety info. Please read and keep for future reference.

# PARTS LIST

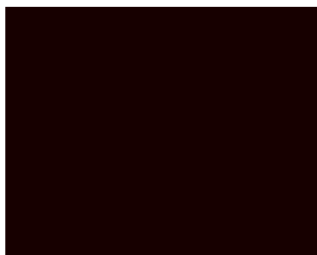
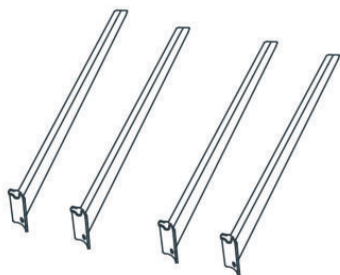
A\*1



B\*1



C\*4



# HARDWARE LIST

D\*4



E\*1



F\*4



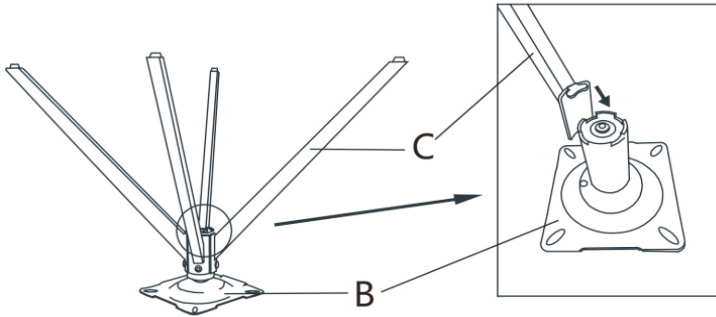
G\*4



# ASSEMBLY INSTRUCTIONS

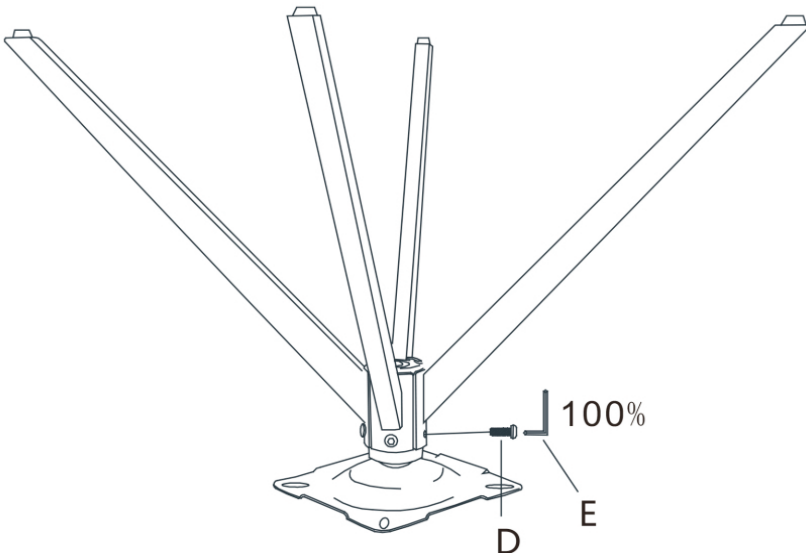
## STEP:1

Install the chair legs (C) on the tray (B) and install the 4 chair legs in sequence as shown in the figure



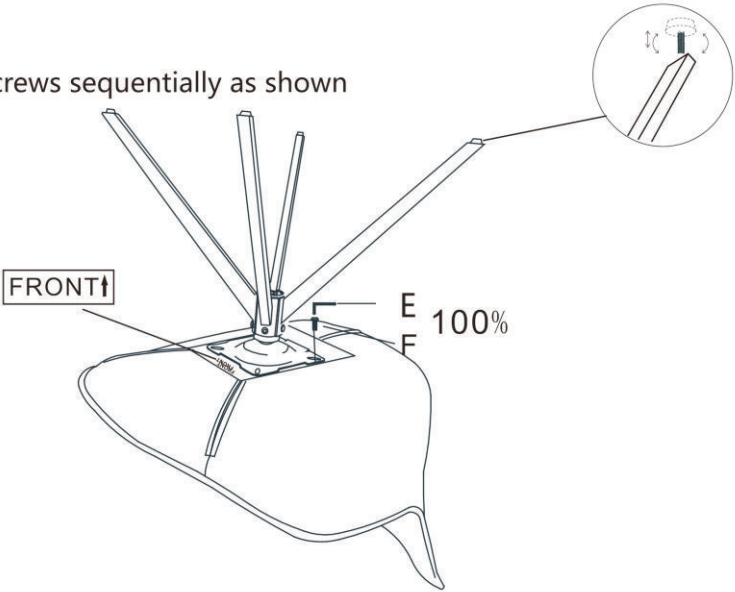
## STEP:2

Install the screws sequentially as shown



### STEP:3

Install the screws sequentially as shown



---

### STEP:4

Assembly completed

