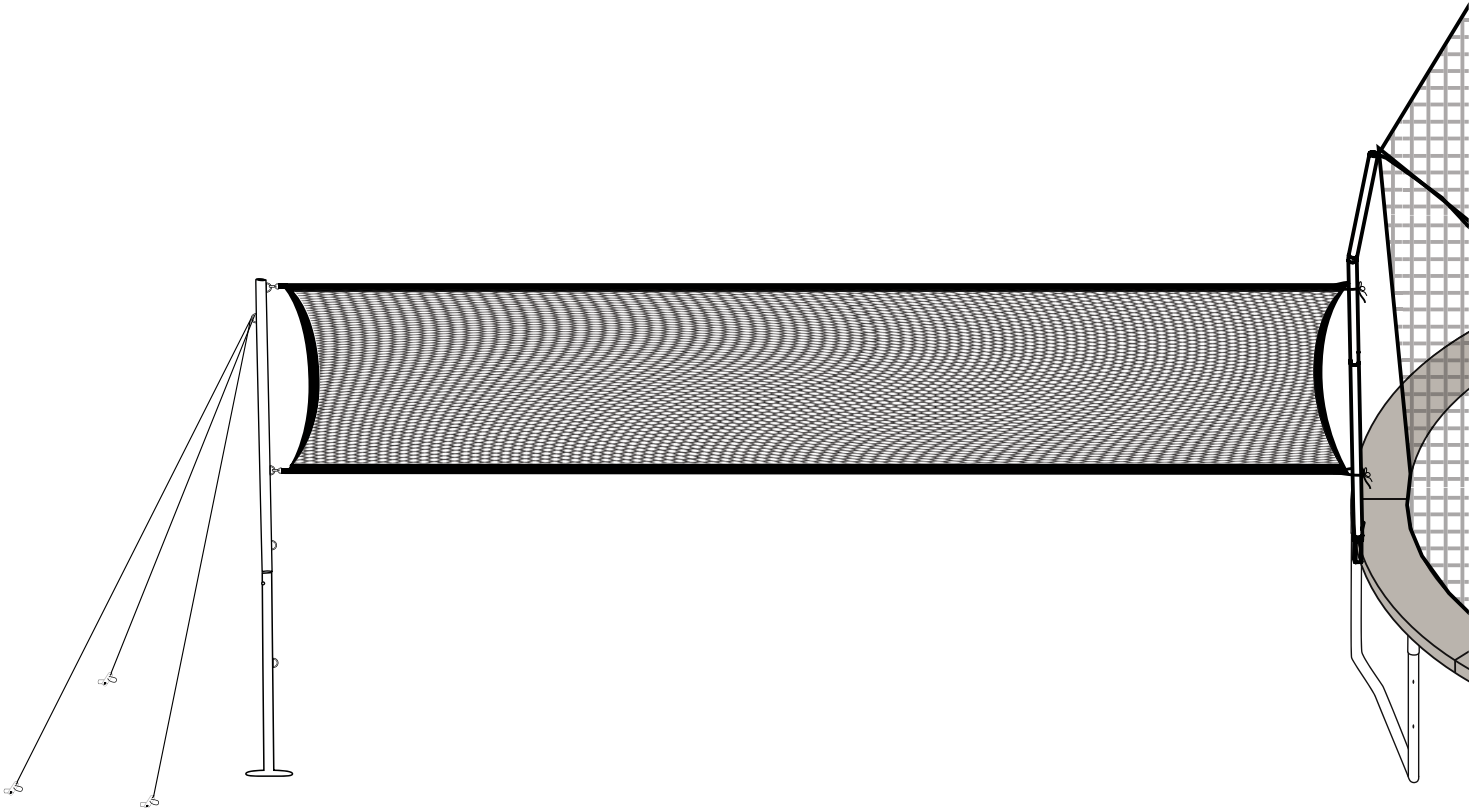


SKYWALKER TRAMPOLINES VOLLEYBALL NET ACCESSORY

User Manual

Skywalker Trampolines Model # RGM1941.1



WARNING

Read all precautions and instructions in this manual before using this equipment. Save this manual for future reference.



IMPORTANT

Trampoline/Enclosures and game attachments are susceptible to winds. When the games are attached to the trampoline, the enclosure poles should be lowered during stormy weather (especially when windy.) Failure to do so could result in damage to the games or the enclosure poles. Weather related damage is not covered under warranty.



SKYWALKER
TRAMPOLINES

Skwalker Holdings LLC

PO Box 574, Brigham City, UT 84302

Model: RGM1941.1

CONTENTS

Before You Begin3
Part Identification / List.....4
Assembly.....4-7
Games8
Limited Warranty9

REPLACEMENT PARTS or QUESTIONS

If you have questions after reading this manual, please call our toll-free Customer Care Hotline. Our trained technicians will provide immediate assistance.

Customer Care Hotline: 1-866-603-5867
Monday - Friday, 8:00 a.m. - 5 p.m. Mountain Time

BEFORE YOU BEGIN

Thank you for selecting the Skywalker Trampolines Volleyball Net Accessory. This game accessory, when combined with a properly placed and maintained trampoline and enclosure, will provide many years of backyard fun. This information must be read by all supervisors and users before any person is allowed to use the game accessories.

If you have any questions after reading this manual, please call our toll-free Customer Care Hotline at 1-866-603-JUMP(5867) , Monday through Friday, 8 a.m. until 5 p.m. Mountain Time (excluding holidays). To help us assist you, please mention the model number of the product when calling.

www.skywalkertrampolines.com

CARE AND MAINTENANCE

Continued exposure over a long period of time to the sun, especially to ultraviolet rays, will shorten the life of the game attachment fabric. For longer fabric life, store the game attachments when they are not being used. Properly stored, dry game attachments will provide the longest life of the fabric, sewing, and hardware. Remove the game attachments from the trampoline during harsh weather conditions or during long periods of non-use.

CAUTION

Users should remove the volleyball net when it is not in use, especially during stormy or windy weather. The warranty does not cover damage caused by wind or inclement weather.

The volleyball net is not to be used for anything other than the game. Do not jump into or hang onto the volleyball net or allow others to do so. This can result in serious injury. Place volleyball net, pole, ground stakes, and tie down ropes away when not in use. Users should be mindful of the ground stakes and tie down ropes while in use as these can cause a tripping or entanglement hazard.

WARNING

High Wind: The trampoline can be blown around by high winds. If you expect high winds, the trampoline should be moved to a sheltered location, taken apart, or tied down to the ground with ropes and stakes (NOT INCLUDED). At least four ropes and four stakes should be used. The top of the stakes should be at ground level so they will not create a tripping hazard. In addition, the top of the stakes should be covered, if necessary, so that users will not be injured by falling on the stakes. The only sure method to protect your trampoline and the surrounding environment during high winds is to completely disassemble the unit and store indoors. The manufacturer's warranty does not cover any type of wind or weather damage.

Do not stand near the trampoline in windy or gusty conditions. A trampoline can become airborne when exposed to sustained wind or gusting wind conditions. This can result in serious injury, paralysis, or death, as well as property damage. To reduce these risks, disassemble the trampoline and enclosure and store them until weather conditions improve. Anchoring a trampoline frame may prevent the trampoline from moving as a result of the wind, but even anchored trampolines can become airborne or damaged. Consult a qualified contractor to determine what type of anchor works best in your location.

WARNING

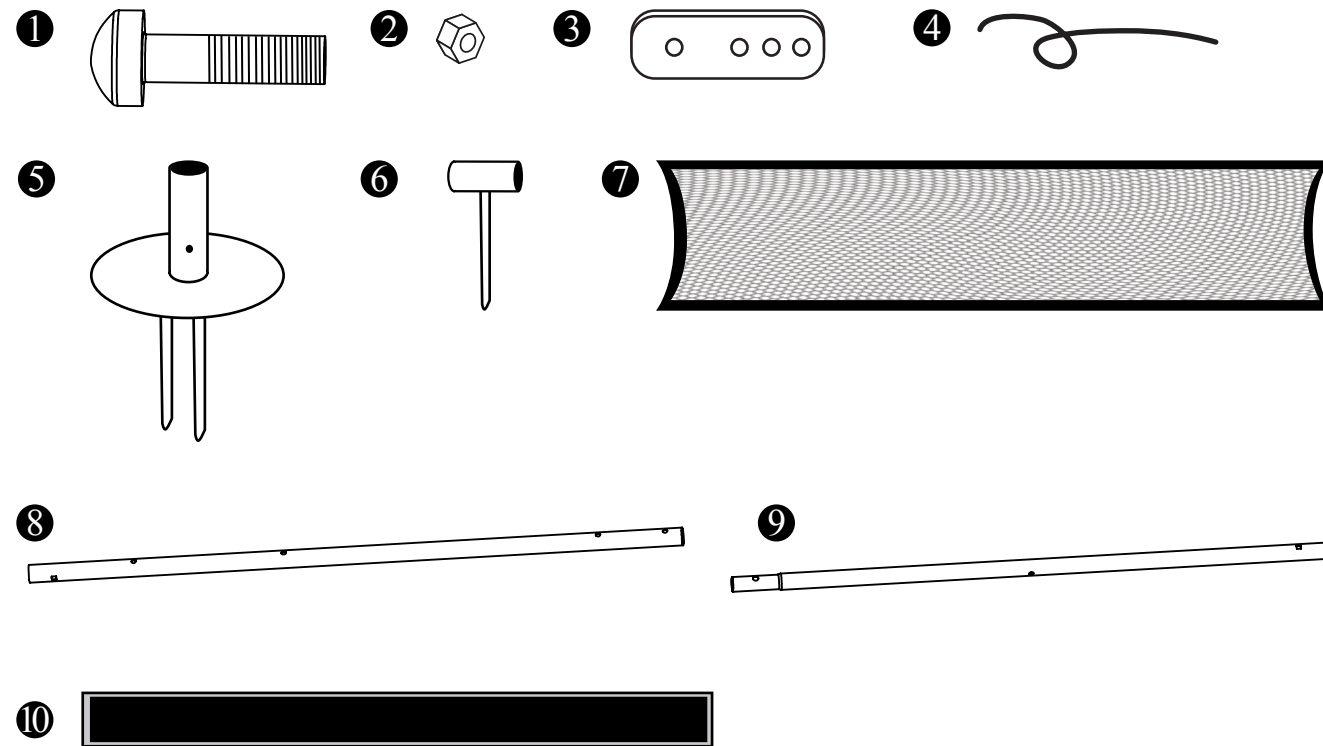
Read the assembly, installation, care, maintenance, and use instructions in this manual prior to assembling and using this equipment. Save this manual for future reference.

ASSEMBLY

PART IDENTIFICATION

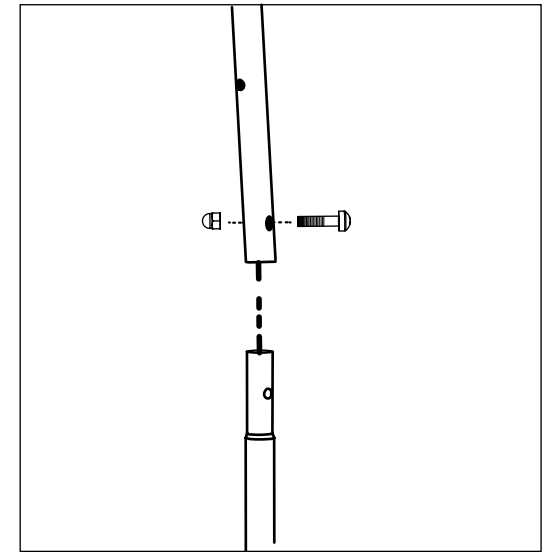
Before beginning assembly, refer to the drawings below to identify all the parts used. The numbers in the circles to the left of each part will be used to help differentiate the parts in the instructions.

Key No.	Qty.	Description
1	2	Bolts
2	2	Nuts
3	3	Tension Device
4	3	Rope
5	1	Upright Ground Stake
6	3	Rope Ground Stake
7	1	Net
8	1	Upper Upright
9	1	Lower Upright
10	2	Straps

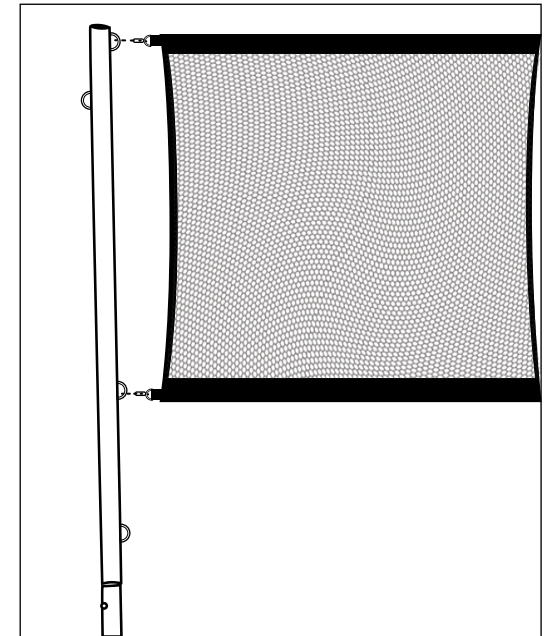


ASSEMBLY

1. Attach the upper upright (8) to the lower upright (9). The upper upright has four metal loops welded to it. Align the loops so they face the same direction.
2. Secure with bolt (1) and nut (2).

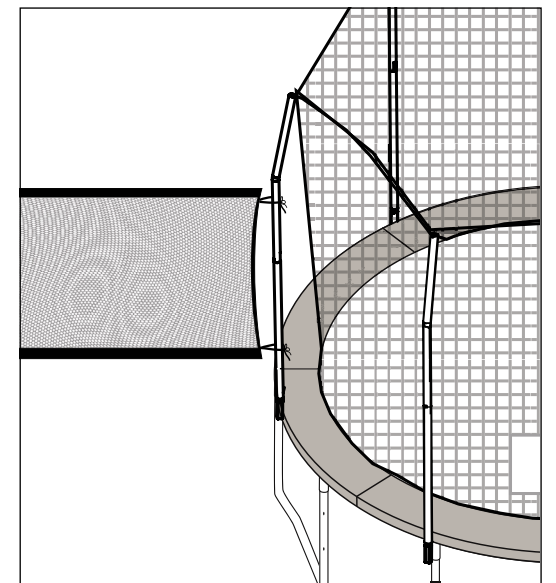


3. Attach the net (7) to the upright poles using the clips on the net.



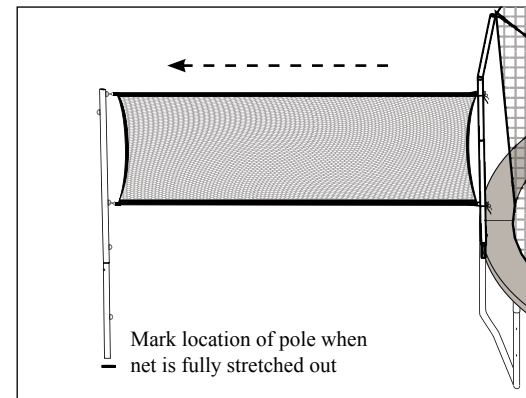
Note: There are two heights to choose from on the pole.

4. Attach the opposite end of the net (7) to an enclosure pole of the trampoline by tying the straps (10) around the pole. Be sure to attach at the same height as the upright pole on the other side.

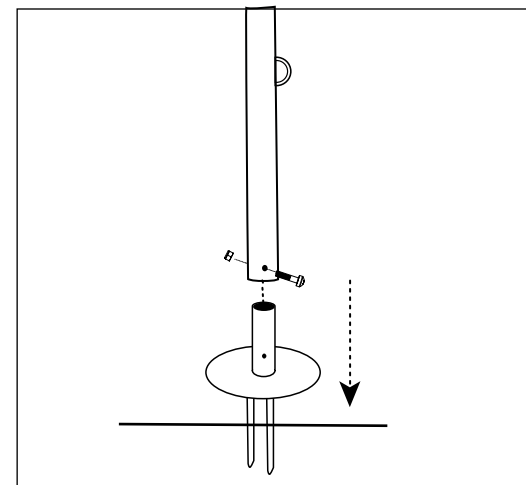


ASSEMBLY

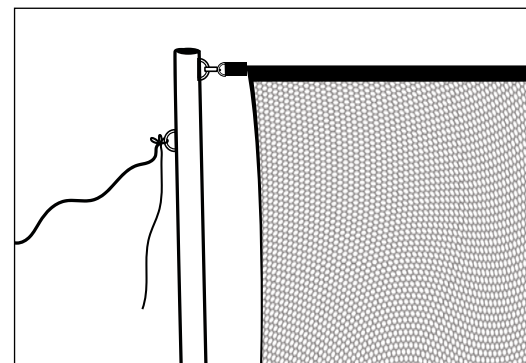
5. Stretch the net away from the trampoline until it is pulled tight and in the preferred location. Mark this location for placing the pole in the next step.



6. Push the upright ground stake (5) into the ground where the volleyball upright pole will go. Place the pole onto the ground stake making sure to align the holes and secure with bolt and nut.



7. Tie the ends of the rope (4) to the top of the upright pole in the provided loop. This will be used to stabilize the volleyball net in the next step.

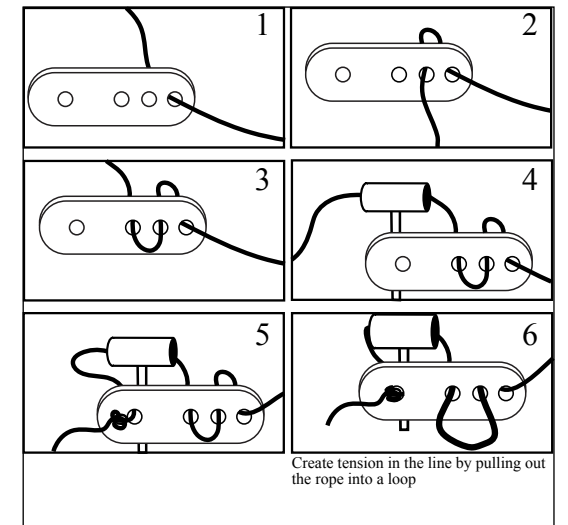


ASSEMBLY

8. On the opposite end of one rope, thread the rope through the three closely grouped holes in the tensioning device (3). Start from the outside, thread through the first hole.

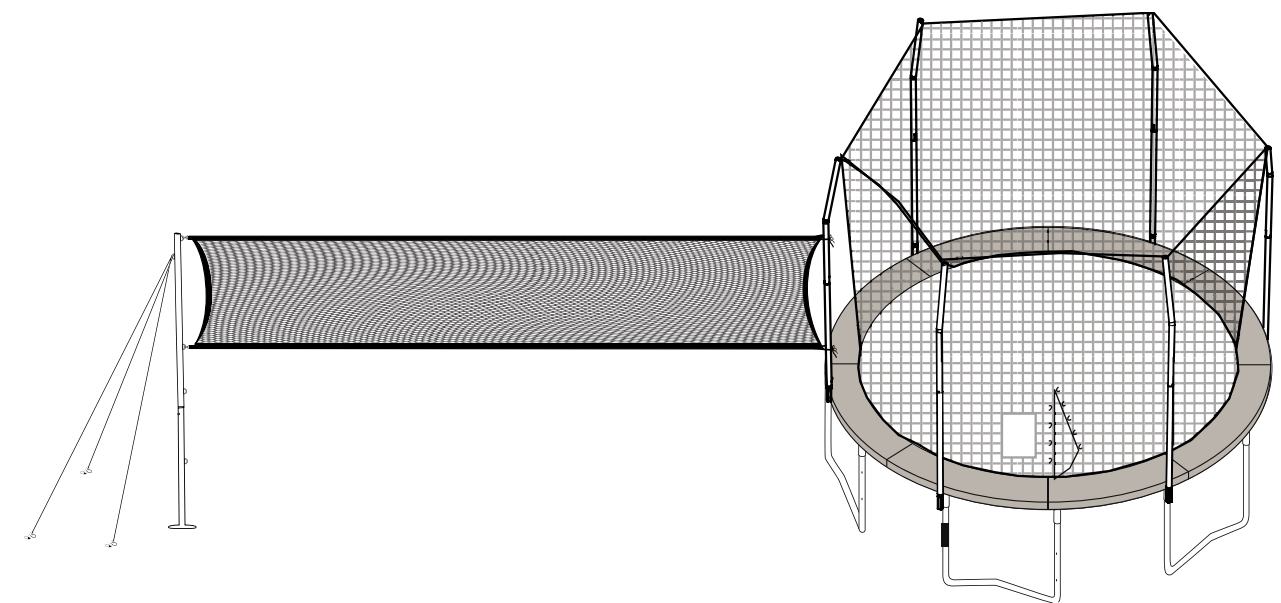
Now thread the rope out the second hole. Now thread the rope out the second hole and then back through the third hole. When exiting the third hole, place the line through the ground stake and then through the fourth and last hole of the tensioning device. Tie a knot to secure. (This function is similar to erecting a tent.)

Pull the line out a good distance from the volleyball pole and place the ground stake in the ground. To tighten the rope and create the tension needed to keep the volleyball net secure, pull the line out and away from the tensioning device into a large loop.



9. Repeat this step with the other two remaining rope, ground stakes, and tensioning devices.

Your volleyball net is now installed. Enjoy!



PLAYING THE GAMES

The Skywalker Trampolines Volleyball Net is the perfect addition to your trampoline. It sets up easily attaching to the side of your trampoline enclosure and quickly rolls up and straps on to the side of the enclosure for simple and convenient storage when not in use.

Aside from your traditional volleyball game, try out these fun variations. They give a fun twist on your traditional game and can include players of multiple skill levels.

Fire Ball

For this fun game you will need any light weight ball, a volley ball, or you can even use a balloon. You will also need a timer or a radio for music.

Divide the group into two teams. One team on each side of the net. Designate someone as the “music player” or “time keeper” who will not be included in the teams.

When the time or music starts, the game begins. Toss or hit the ball over the top of the net back and forth. The goal is to keep the “fire ball” out of your field. Different from volleyball, it does not score against you if the ball hits the grounds or goes out of bounds. When the timer or music stops, the game must freeze.

The person caught with the ball (or the last one to touch it) when the timer/music stops is out of the game. Start the music or timer again and continue playing until one person remains. Their team wins!

Volley Over

For this game you will need a volleyball. The group is divided into two teams, one on each side of the net. Traditional volleyball rules are used for this game, however when a team scores rather than collecting a point, they collect a member from the opposite team to join their team. You can choose to play until one team is completely eliminated, or for a measured amount of time and when the time is up the team with the most players wins!

LIMITED WARRANTY

Skywalker Holdings, LLC warrants its products to be free from defects in material and workmanship under normal use and service conditions. The steel frame is warranted for one (1) year after the date of purchase. All other parts are warranted for ninety (90) days after the date of purchase. Wind or weather damage is not warranted.

All warranty coverage extends only to the original retail purchaser from the date of purchase. Skywalker Holdings, LLC obligation under this Warranty is limited to replacing or repairing, at Skywalker Holdings, LLC option, the product at one of this authorized service centers. All products for which a warranty claim is made must be received by Skywalker Holdings, LLC at one of its authorized locations. Preauthorization may be obtained by calling Skywalker Holding, LLC Customer Care Hot Line at 1-866-603-Jump(5867). This Warranty does not extend to any product or damage to a product caused by or attributable to freight damage, abuse, misuse, improper or abnormal usage, or repair not provided by a Skywalker Holdings, LLC authorized service center, or to products used for commercial or rental purpose. No other Warranty beyond that specifically set forth above is authorized by Skywalker Holdings, LLC.

SKYWALKER HOLDINGS, LLC IS NOT RESPONSIBLE OR LIABLE FOR INDIRECT, SPECIAL OR CONSEQUENTIAL DAMAGES ARISING OUT OF OR IN CONNECTION WITH THE USE OR PERFORMANCE OF THE PRODUCT OR OTHER DAMAGES WITH RESPECT TO ANY ECONOMIC LOSS, LOSS OF PROPERTY, LOSS OF REVENUE OR PROFITS, LOSS OF ENJOYMENT OR USE, COST OF REMOVAL, INSTALLATION OR OTHER CONSEQUENTIAL DAMAGES. SOME STATES DO NOT ALLOW THE EXCLUSION OR LIMITATION OF INCIDENTAL OR CONSEQUENTIAL DAMAGES. ACCORDINGLY, THE ABOVE LIMITATION MAY NOT APPLY TO YOU.

THE WARRANTY EXTENDED HEREUNDER IS IN LIEU OF ALL OTHER WARRANTIES AND ANY IMPLIED WARRANTY OF MERCHANTABILITY OR FITNESS FOR A PARTICULAR PURPOSE IS LIMITED IN ITS SCOPE AND DURATION TO THE TERMS SET FORTH HEREIN. SOME STATES DO NOT ALLOW LIMITATIONS ON HOW LONG AN IMPLIED WARRANTY LASTS. ACCORDINGLY, THE ABOVE LIMITATION MAY NOT APPLY TO YOU. This Warranty gives you specific LEGAL RIGHTS. You may also have other rights which vary state to state.

THIS WARRANTY IS VALID ONLY IN THE UNITED STATES.

Skywalker Holdings, LLC, PO Box 574, Brigham City, UT 84302 USA.

Printed in China © 2016 Skywalker Holdings, LLC.