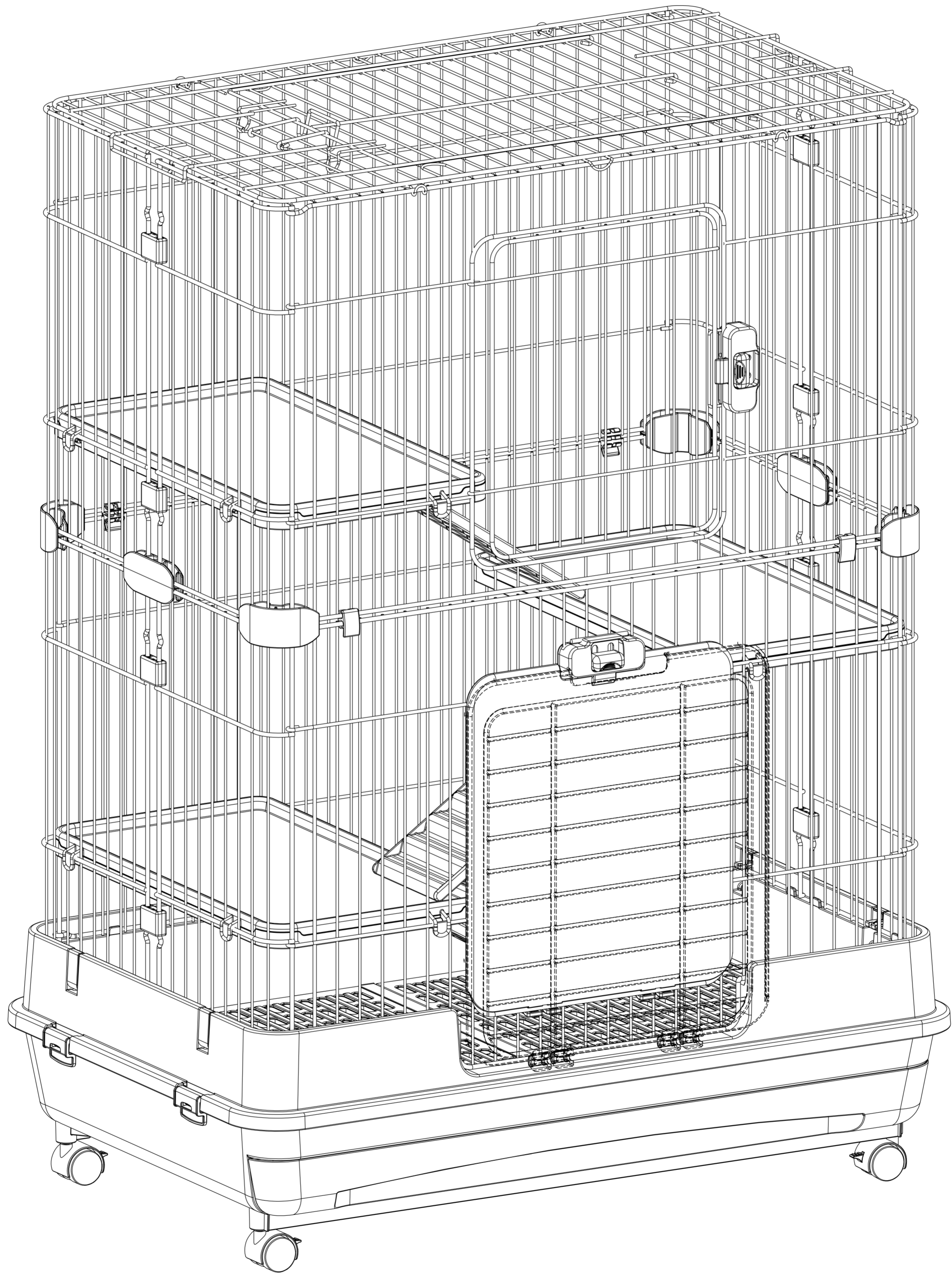
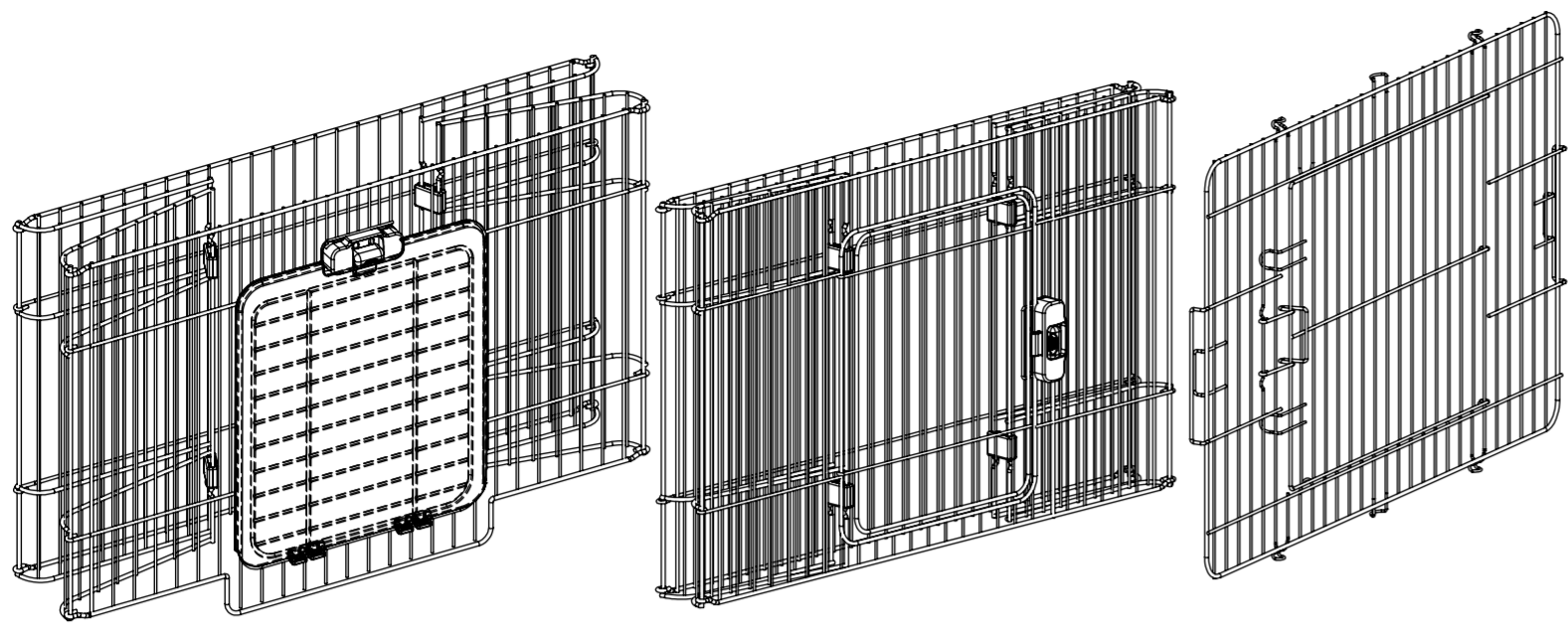


Assembly Instructions

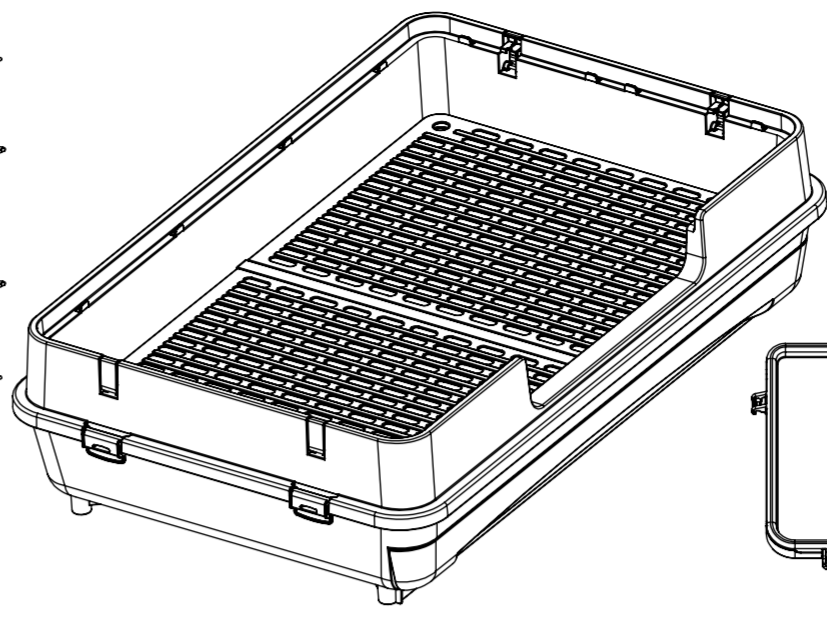




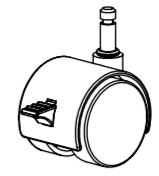
A 1pc

B 1pc

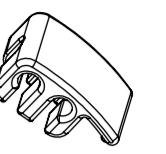
C 1pc



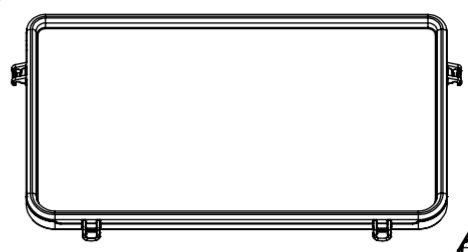
D 1pc



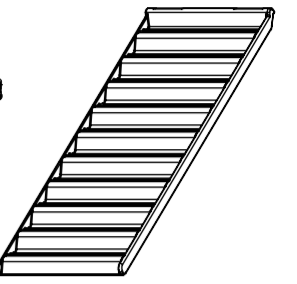
E 4pcs



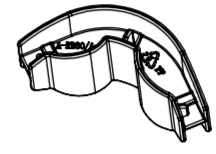
F 4pcs



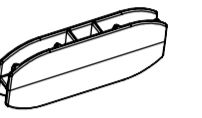
G 3pcs



H 3pcs



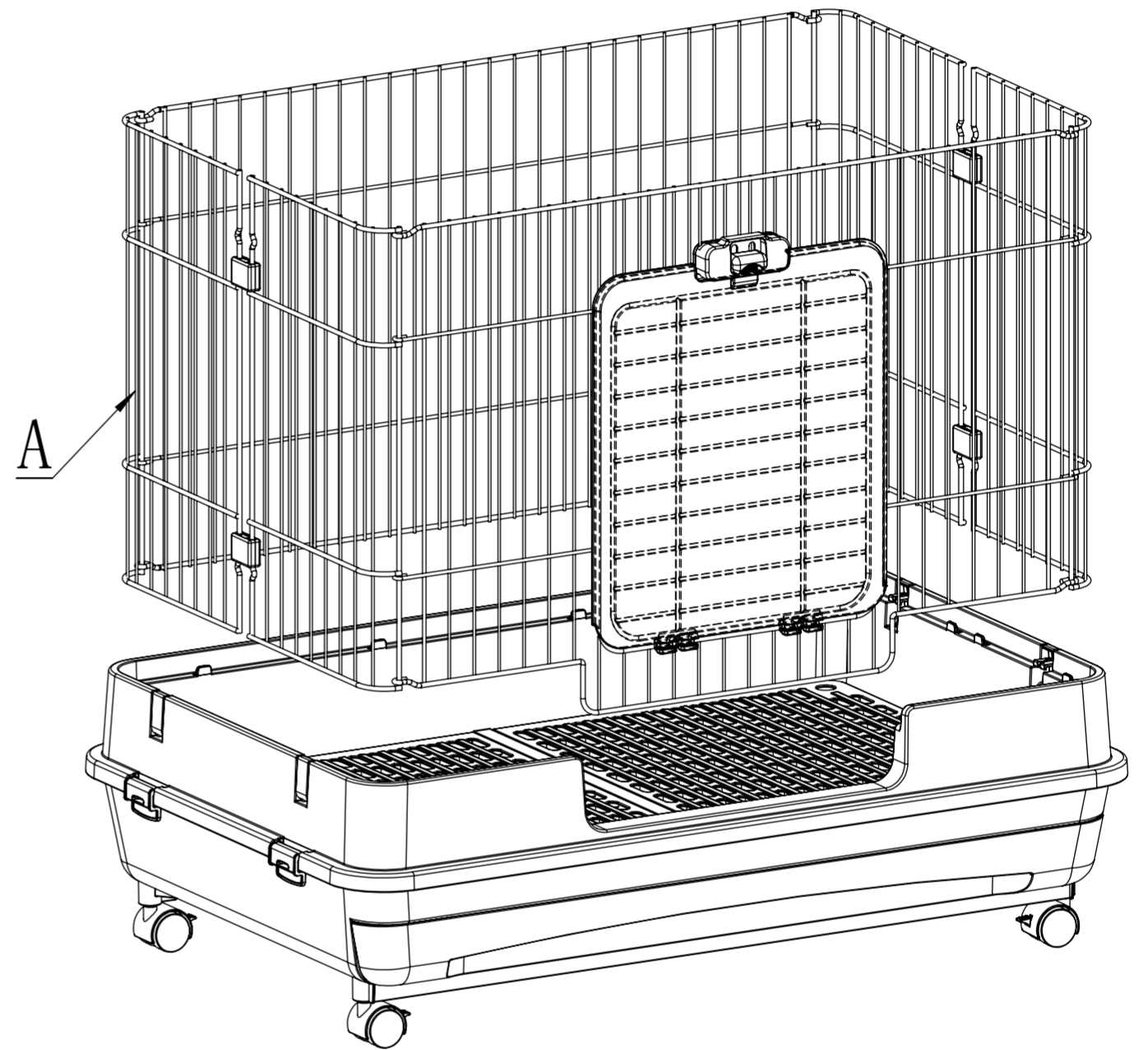
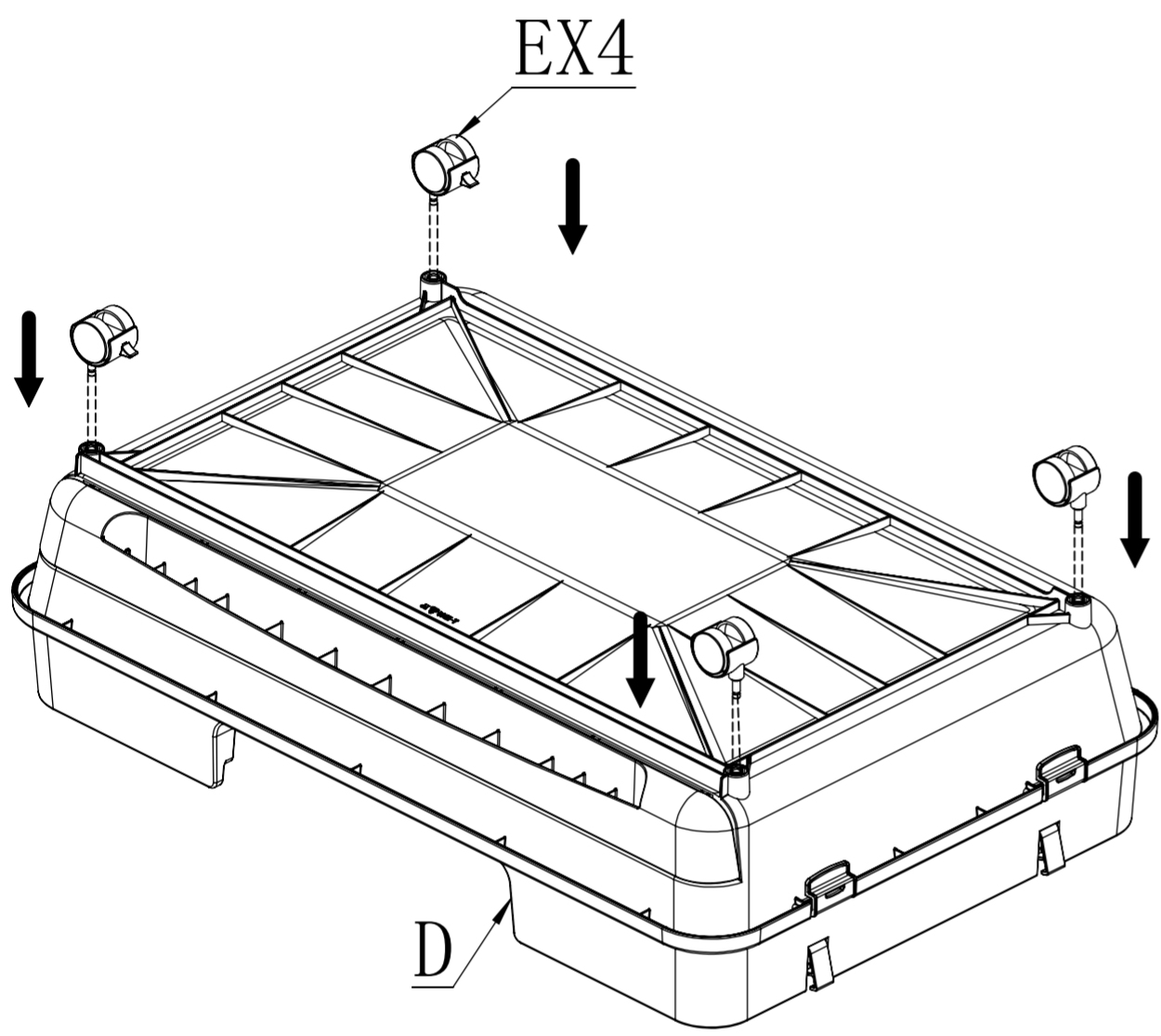
I 4pcs



J 2pcs

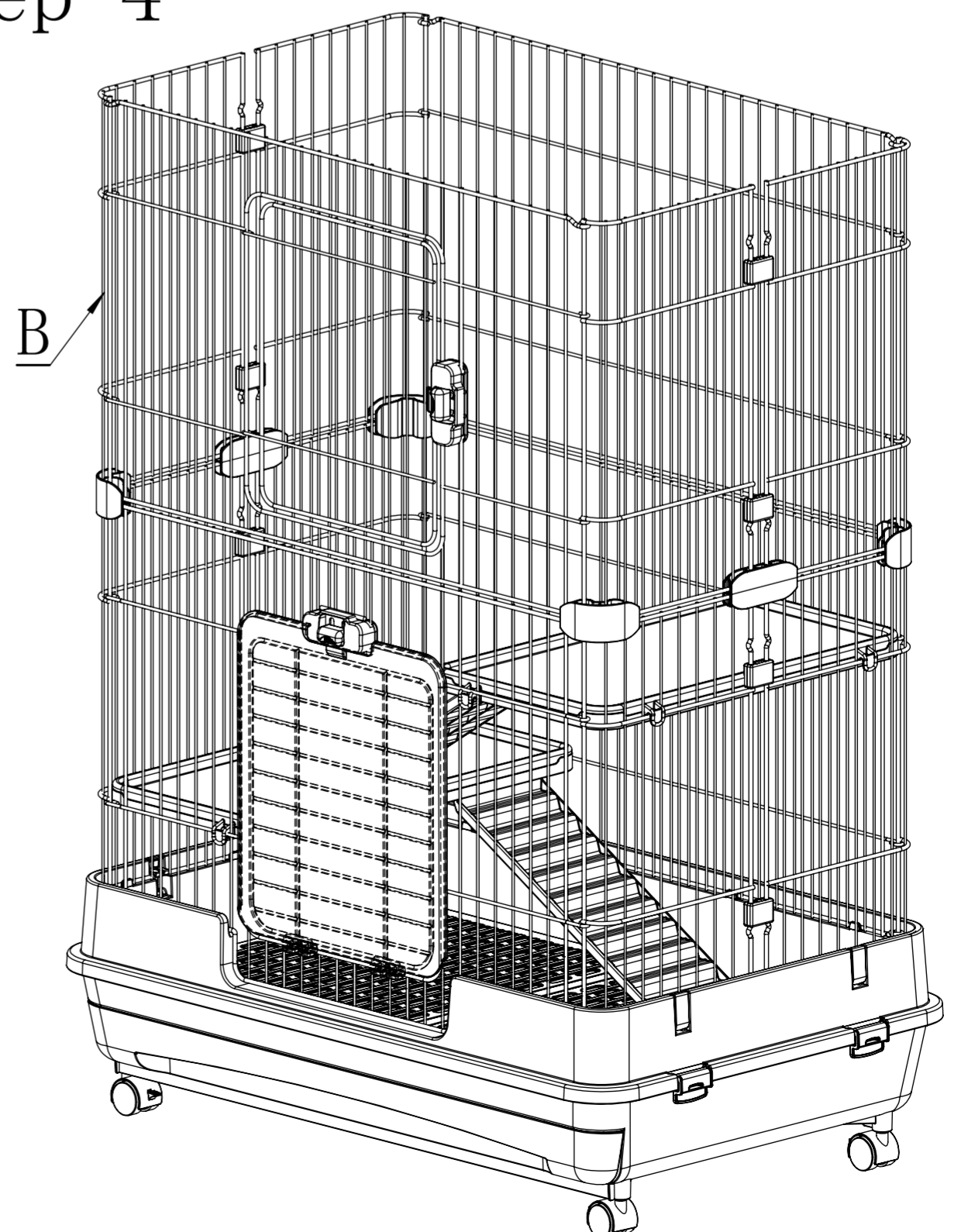
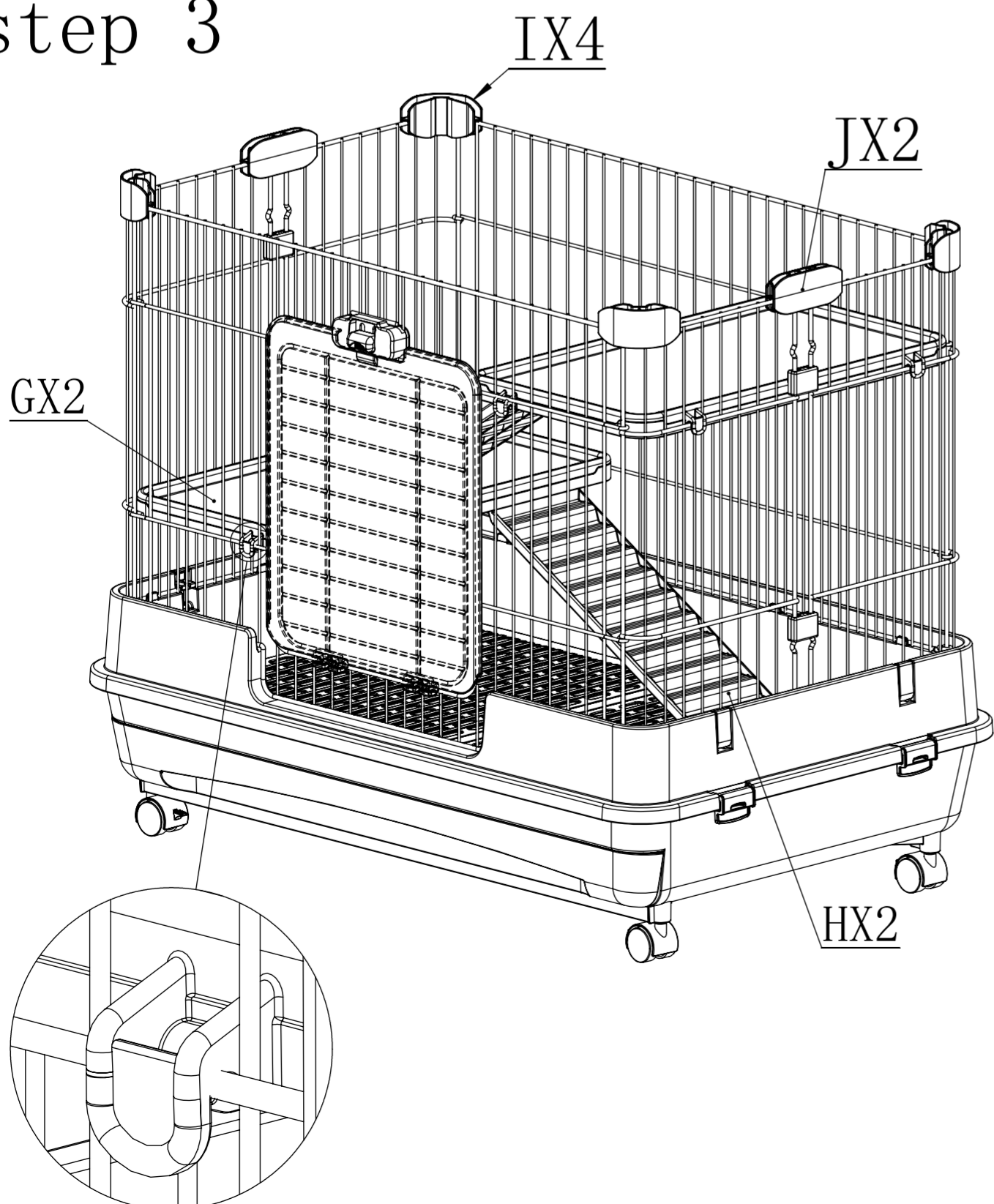
step 1

step 2

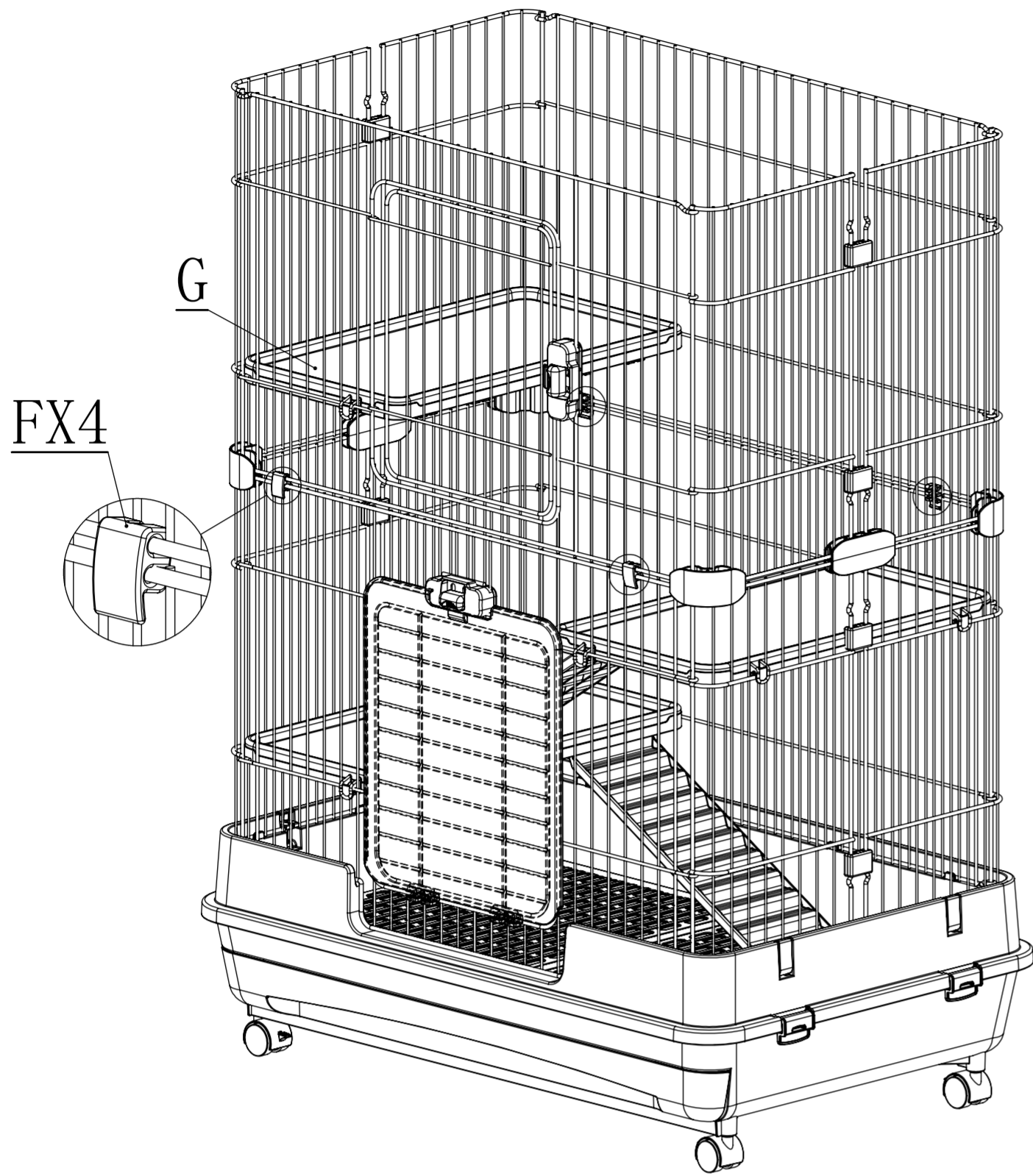


step 3

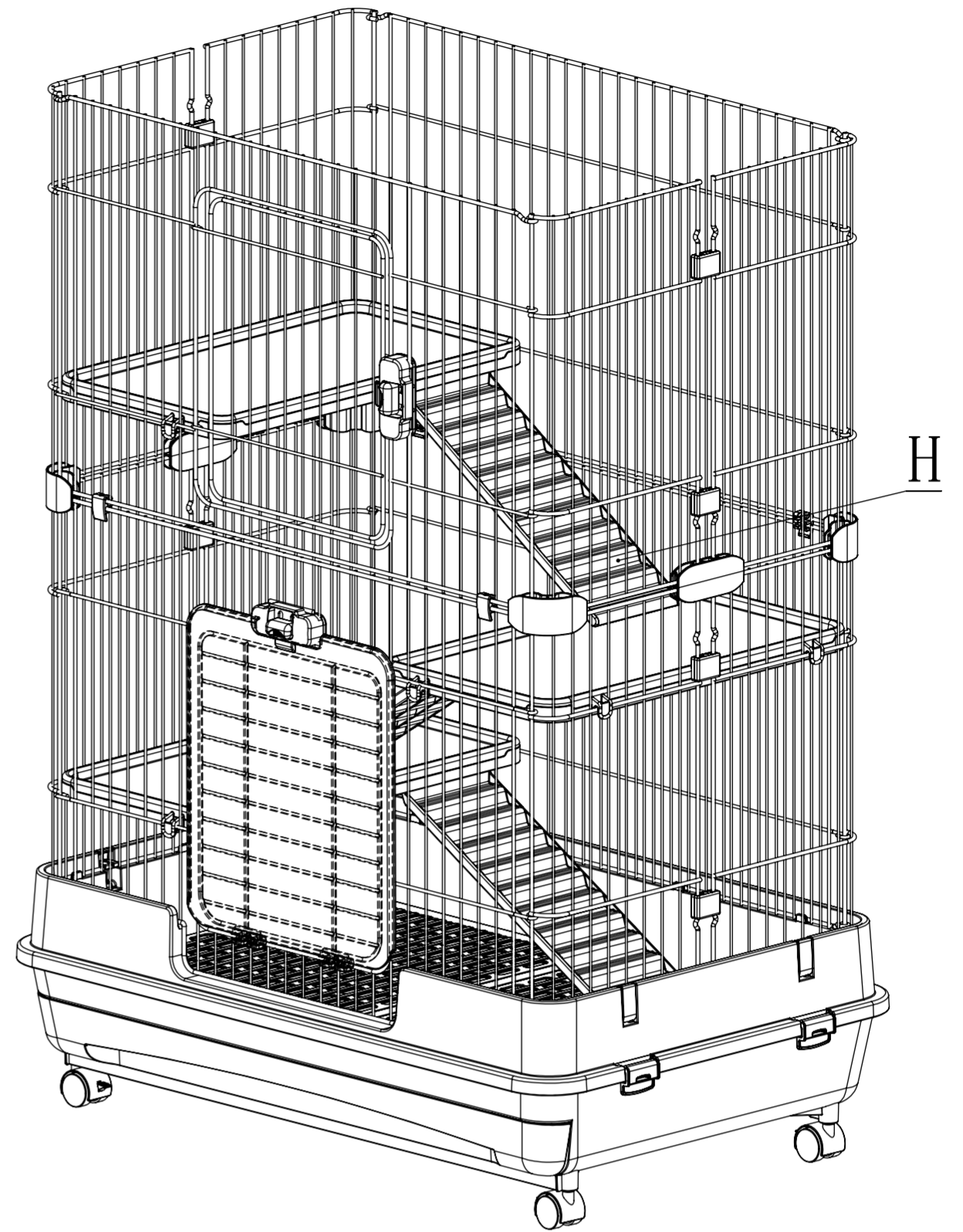
step 4



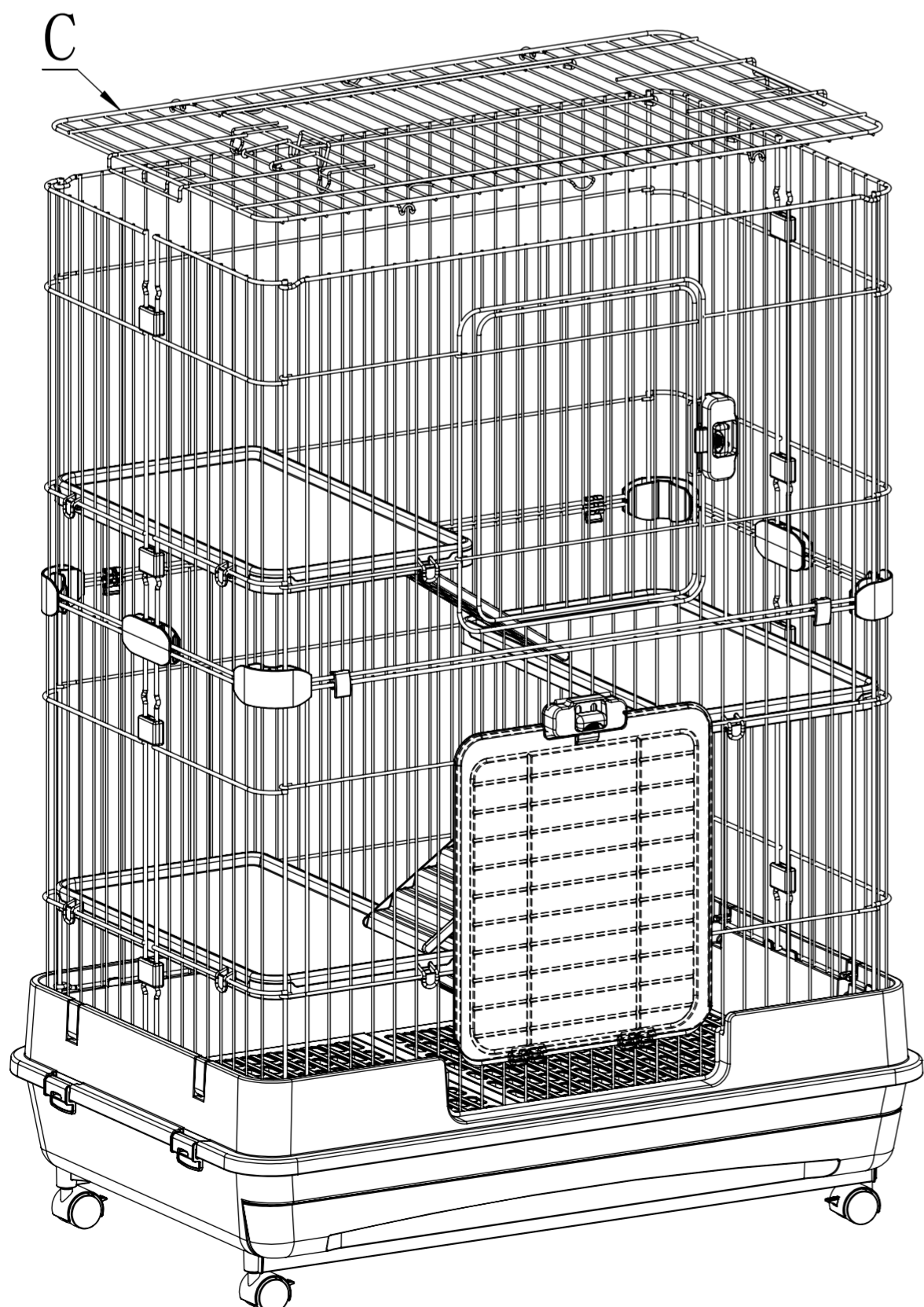
STEP 5



STEP 6



STEP 7



STEP 8

