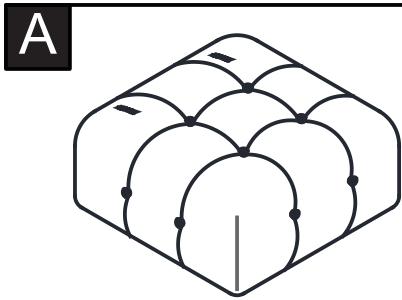
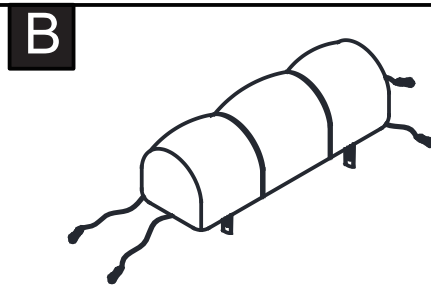


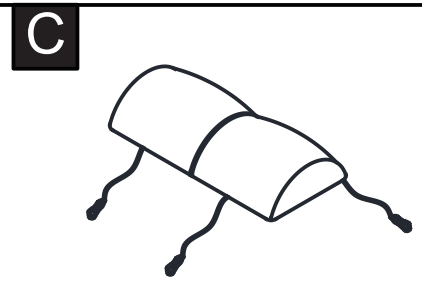
# ASSEMBLY INSTRUCTION



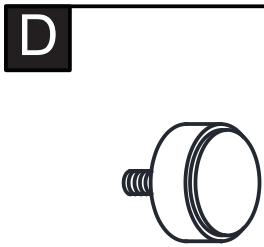
1pc



1pc

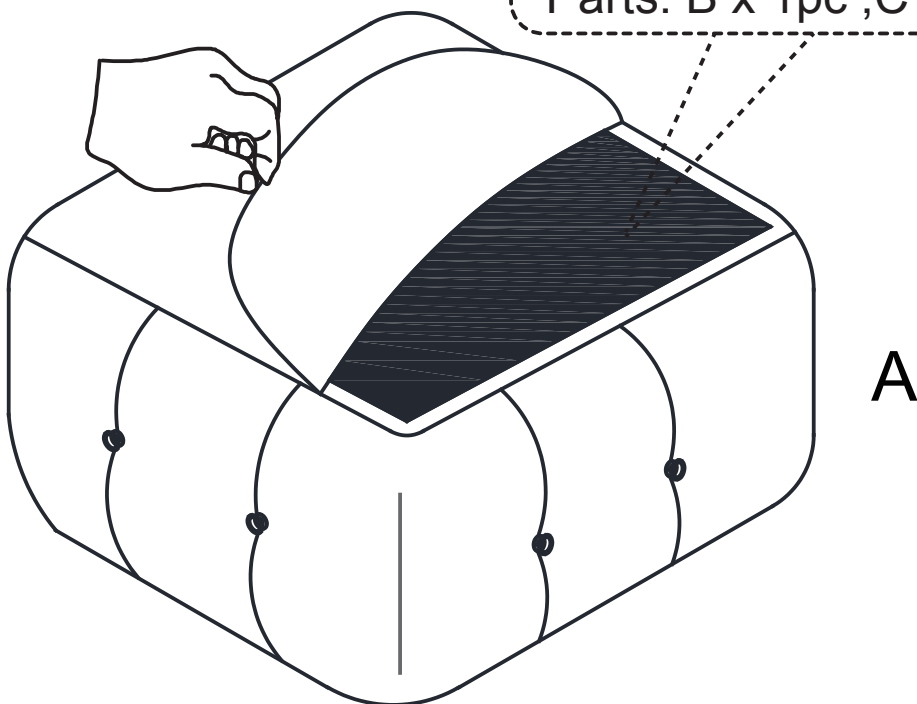
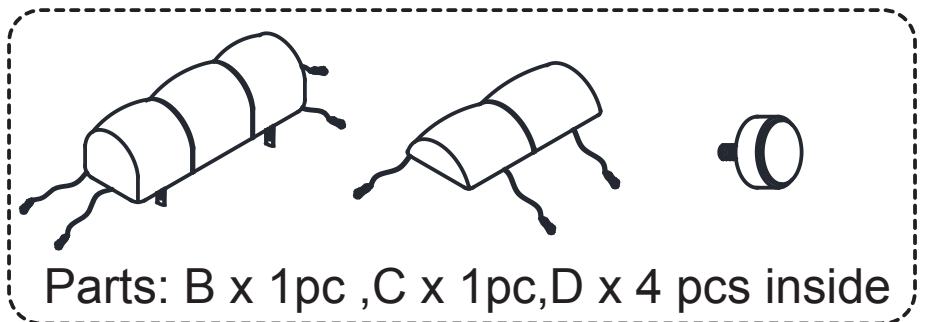


1pc

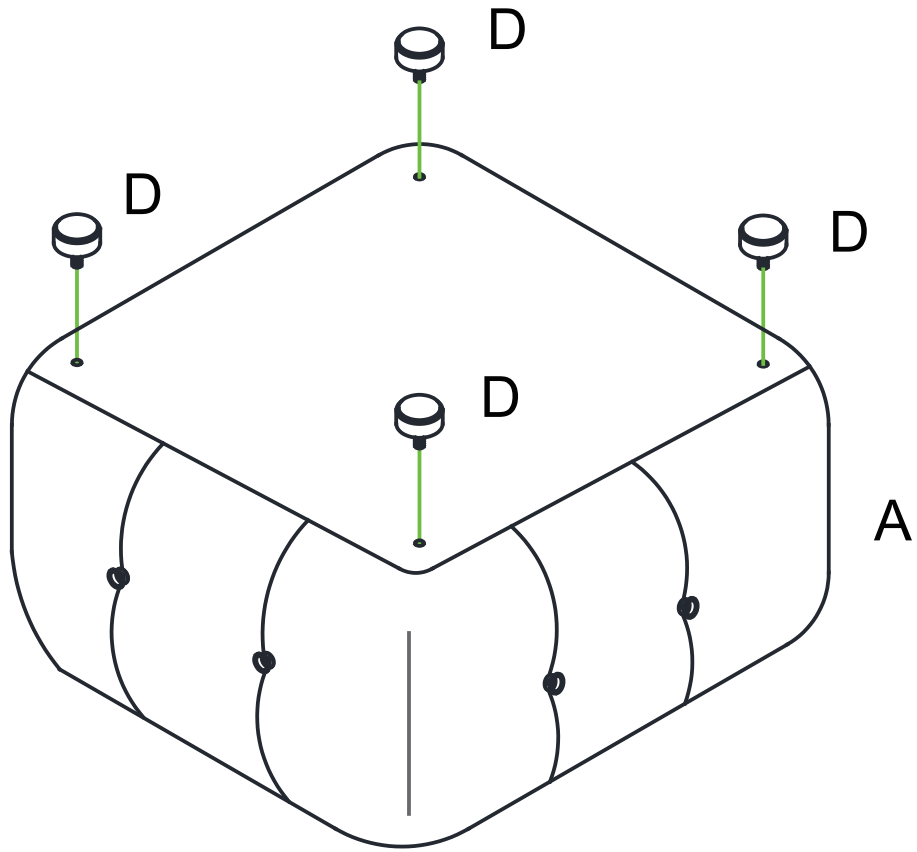


4pcs

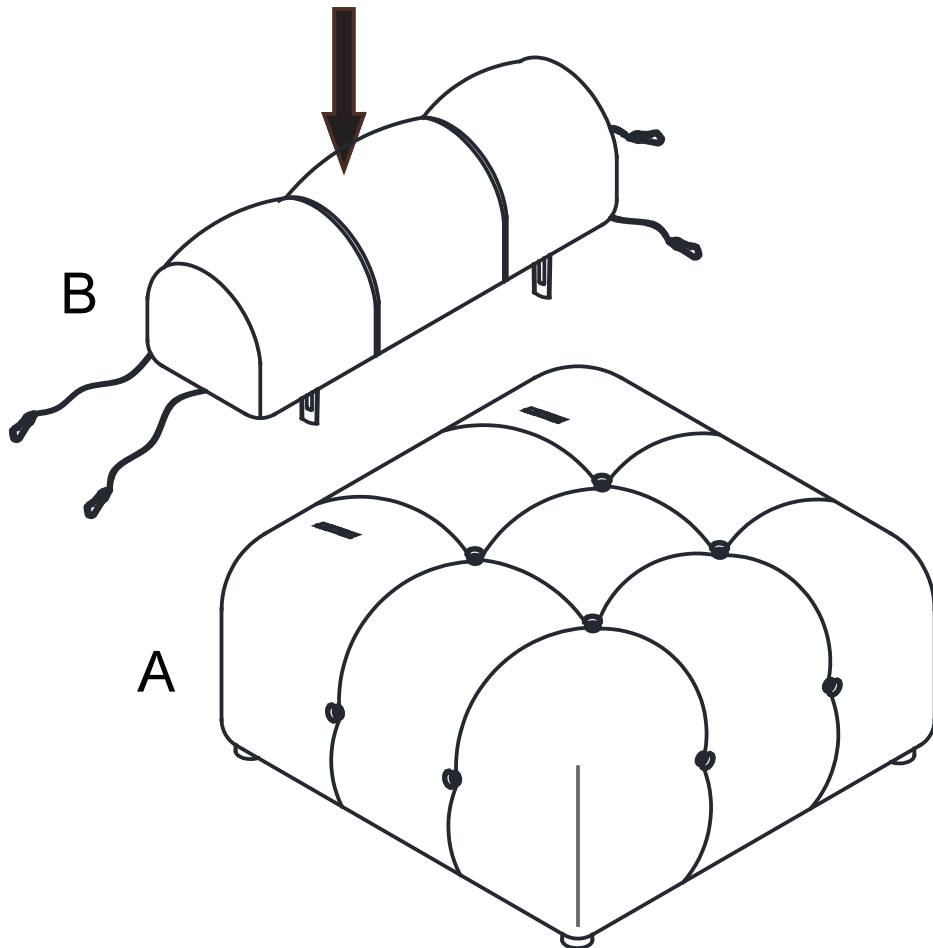
**1**



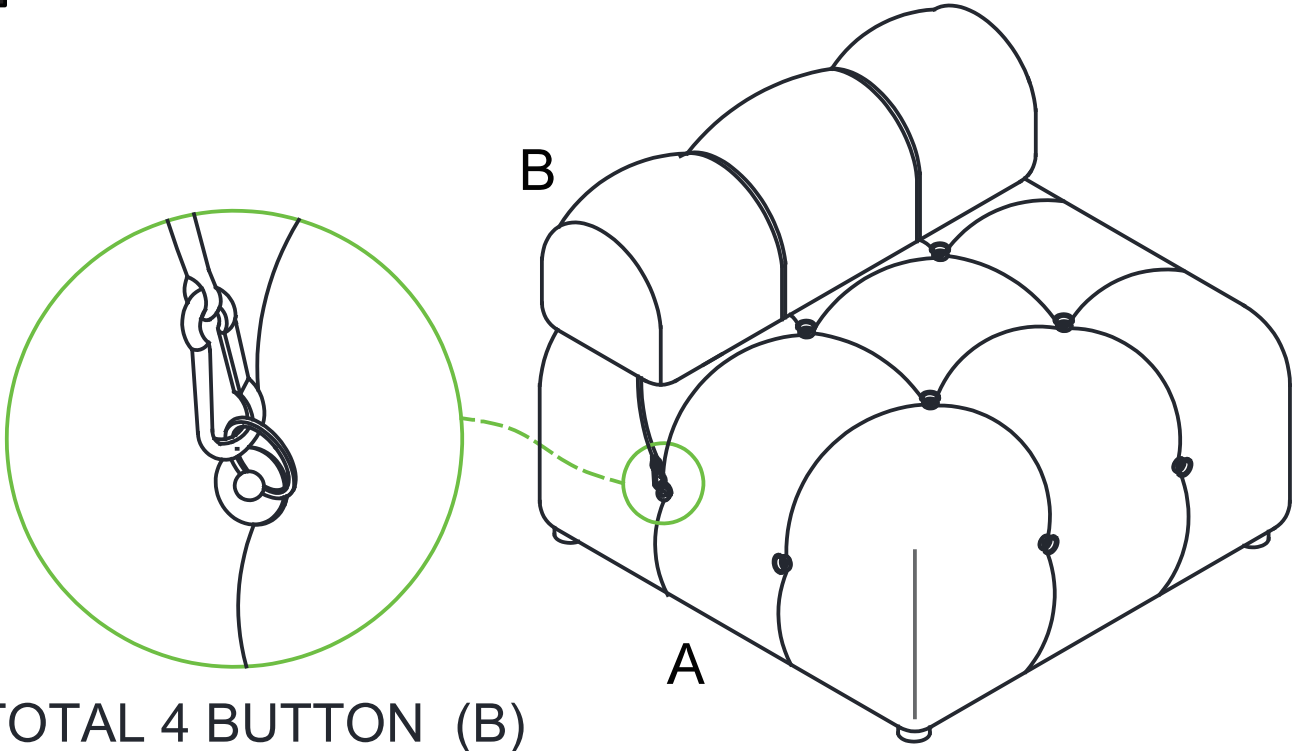
2



3

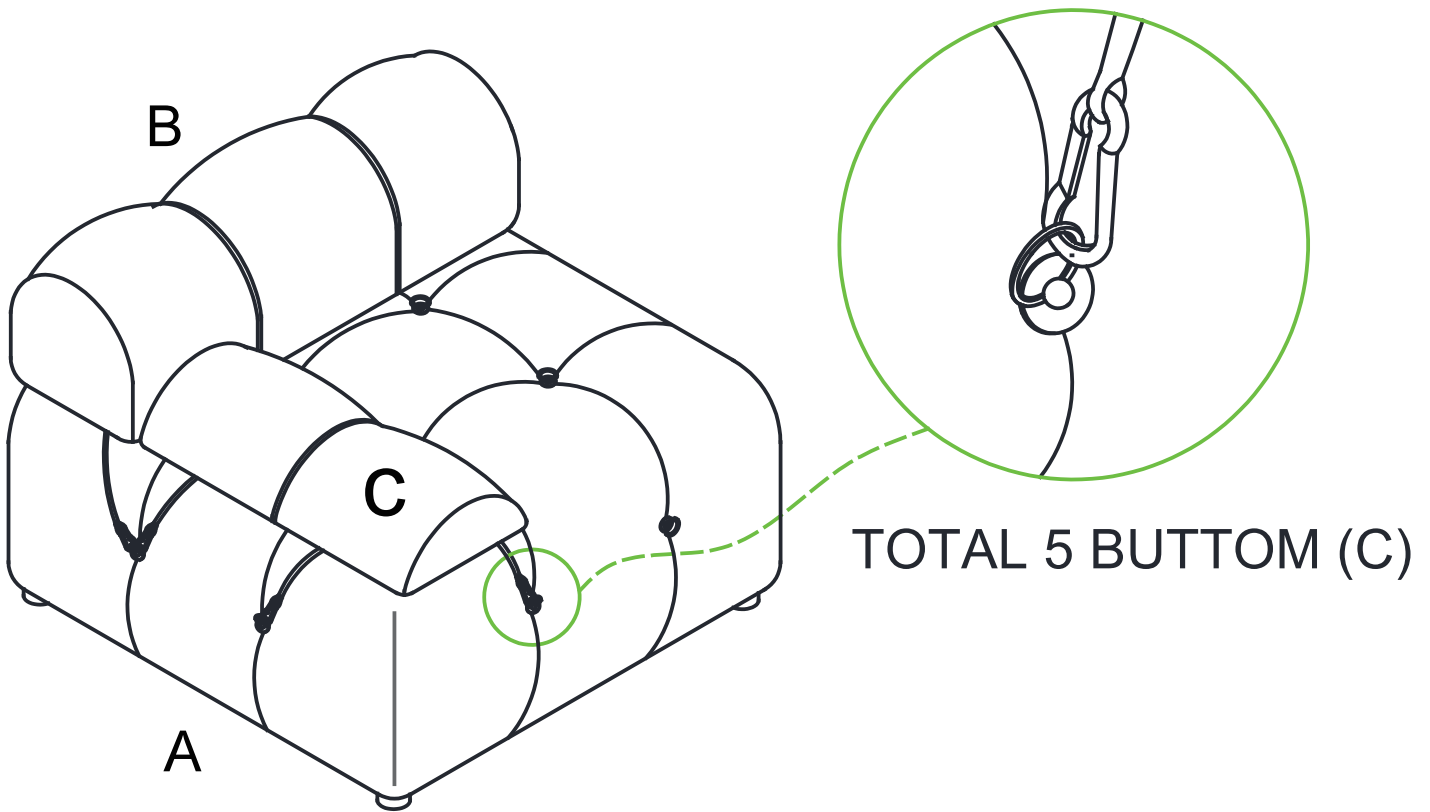


4

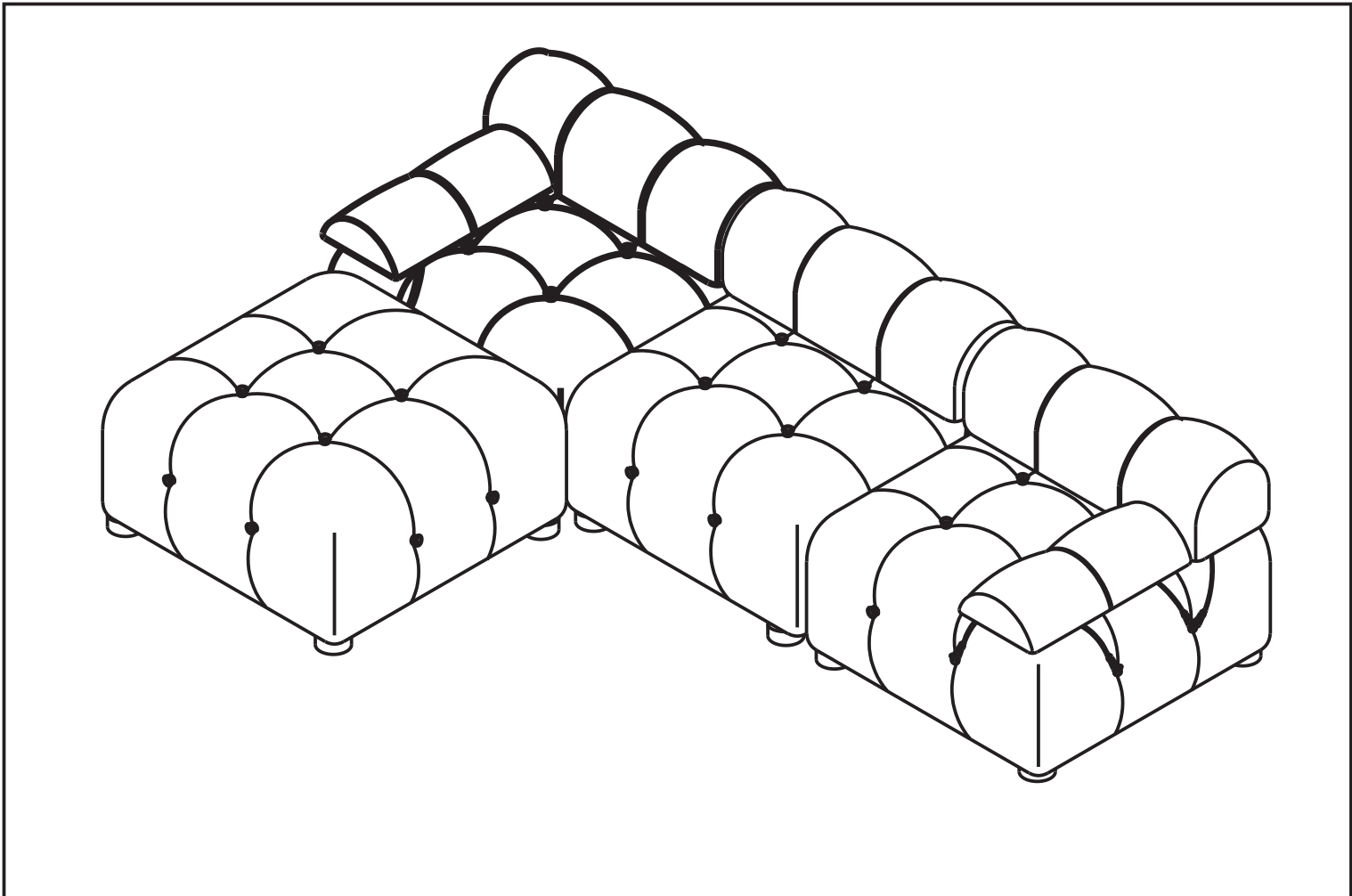
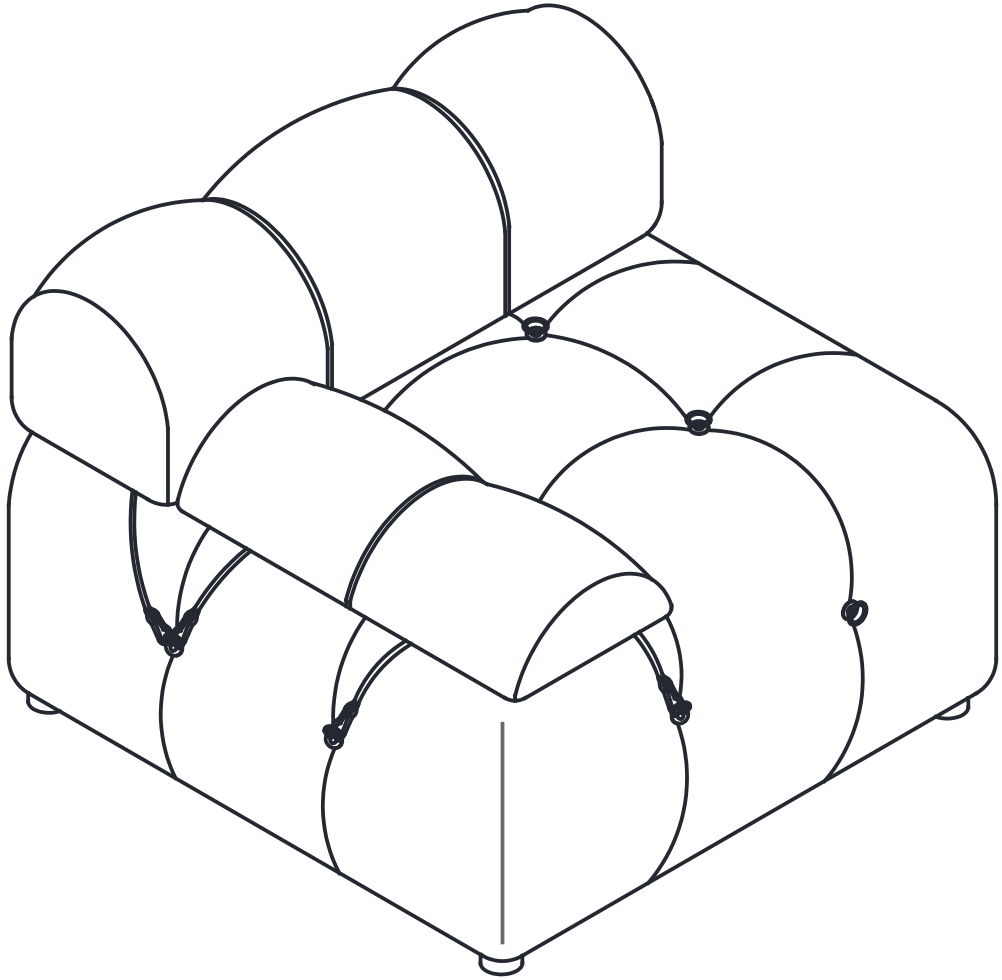


TOTAL 4 BUTTON (B)

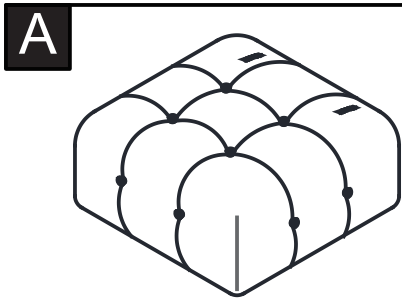
5



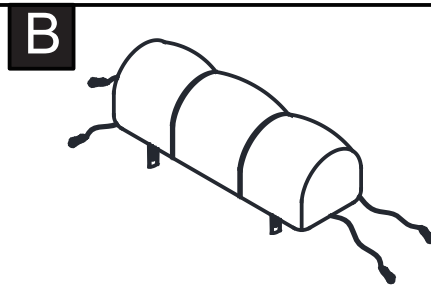
TOTAL 5 BUTTOM (C)



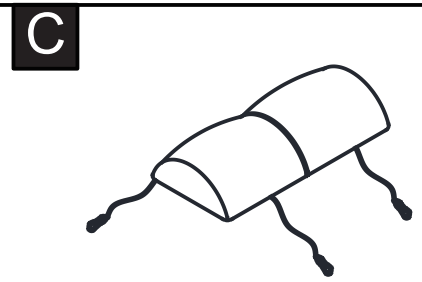
# ASSEMBLY INSTRUCTION



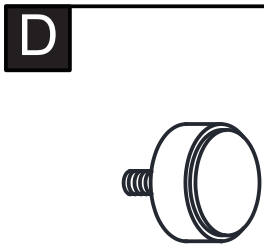
1pc



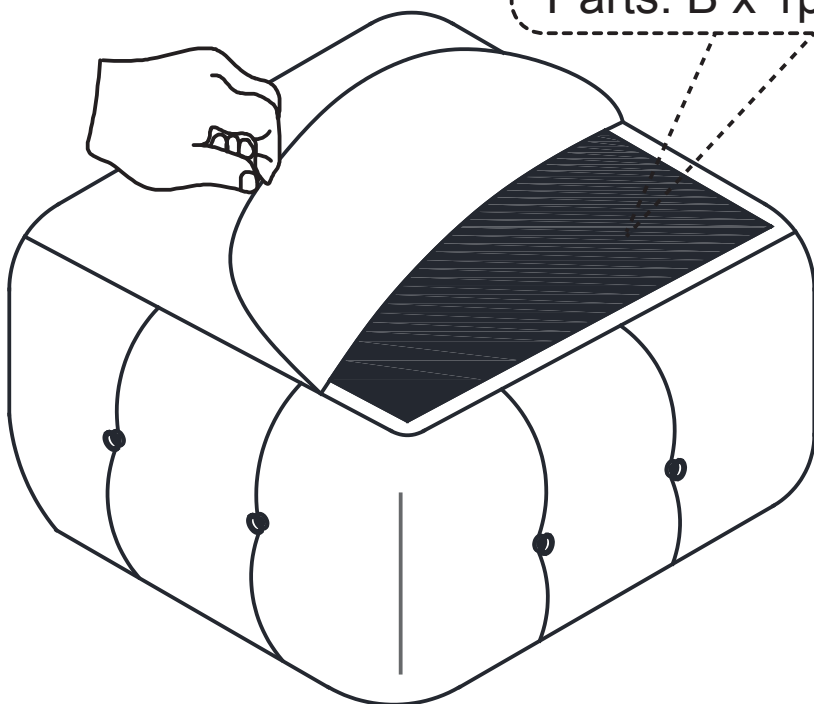
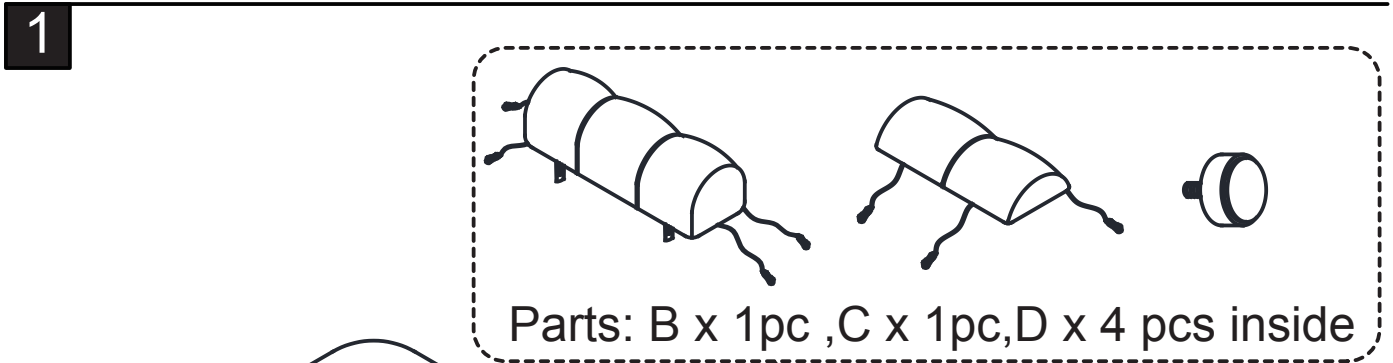
1pc



1pc

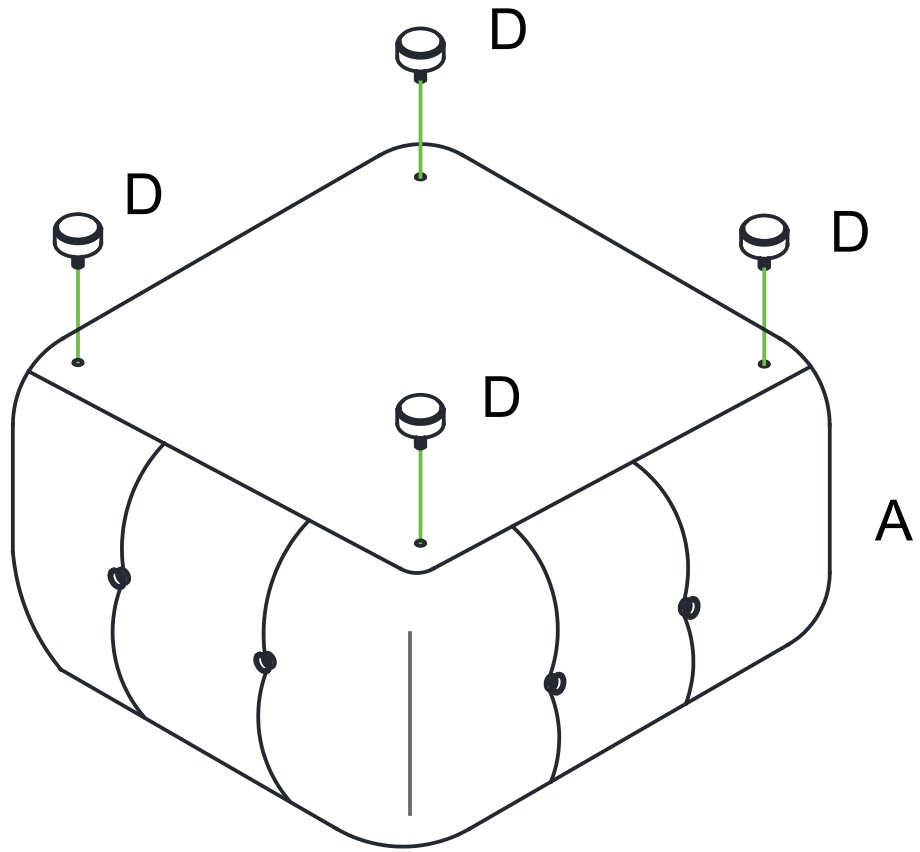


4pcs

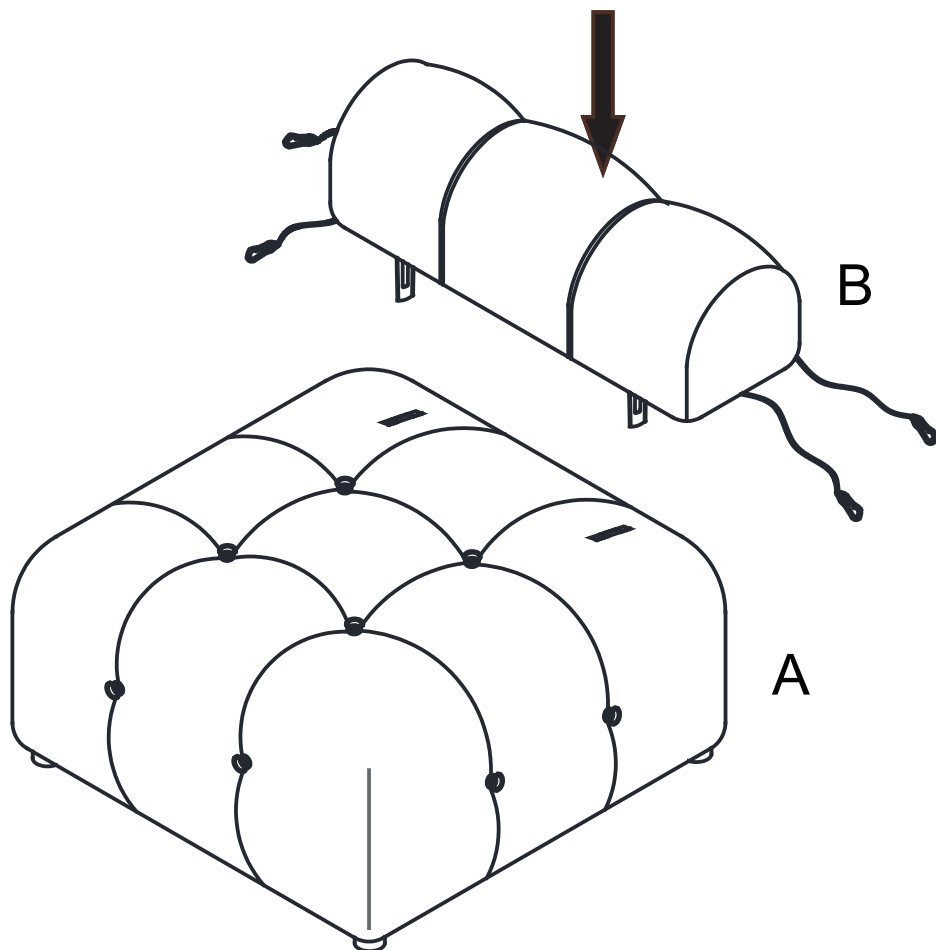


A

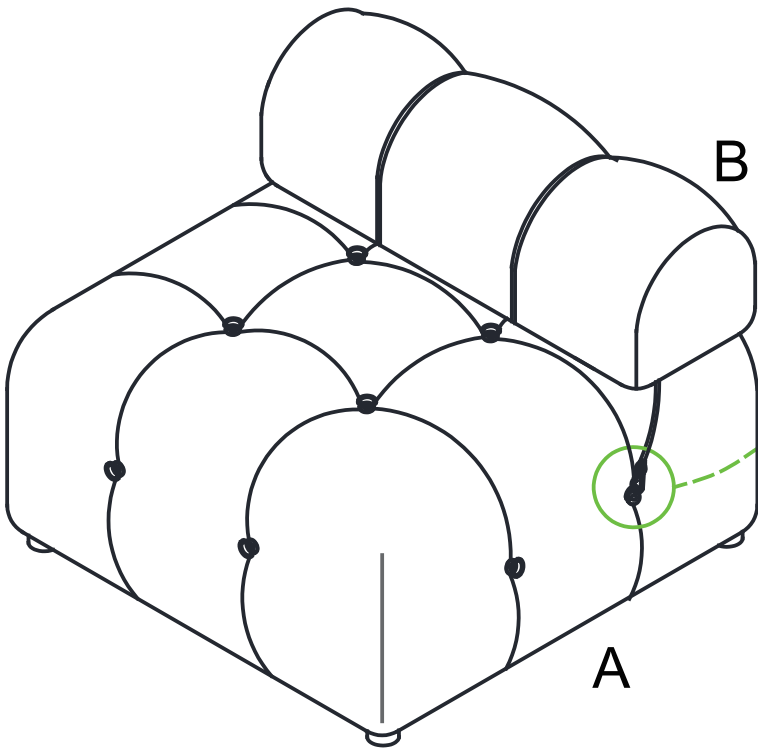
2



3

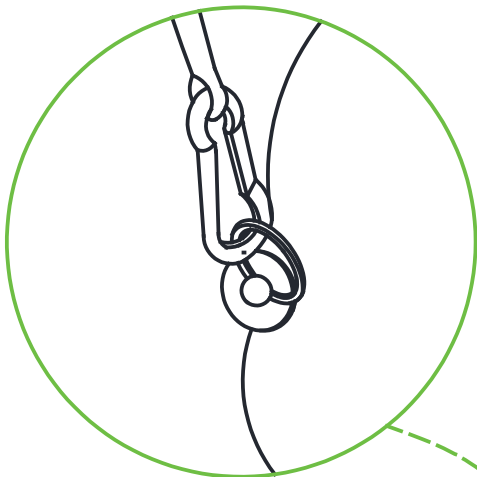


4

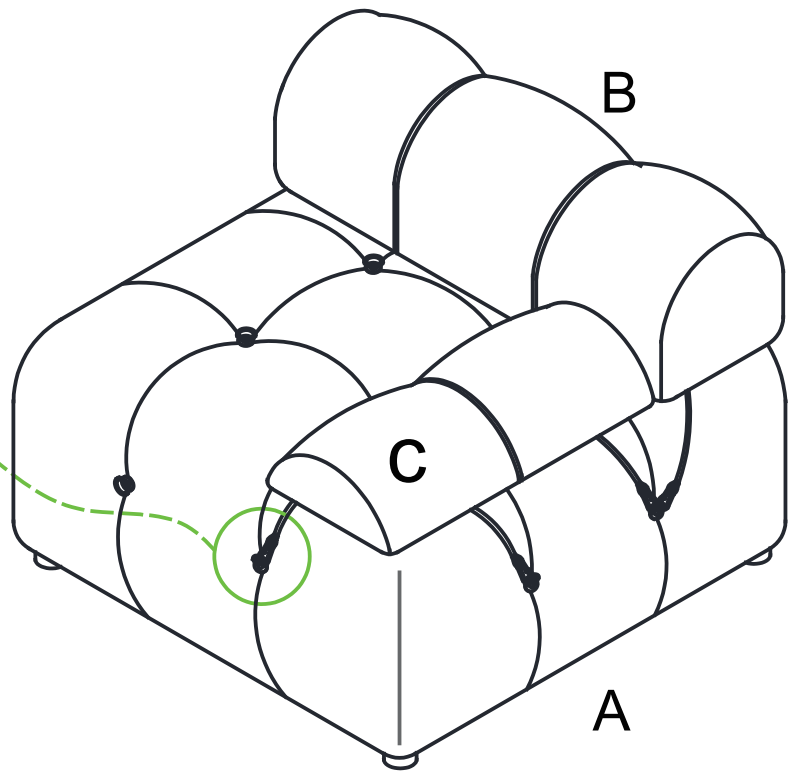


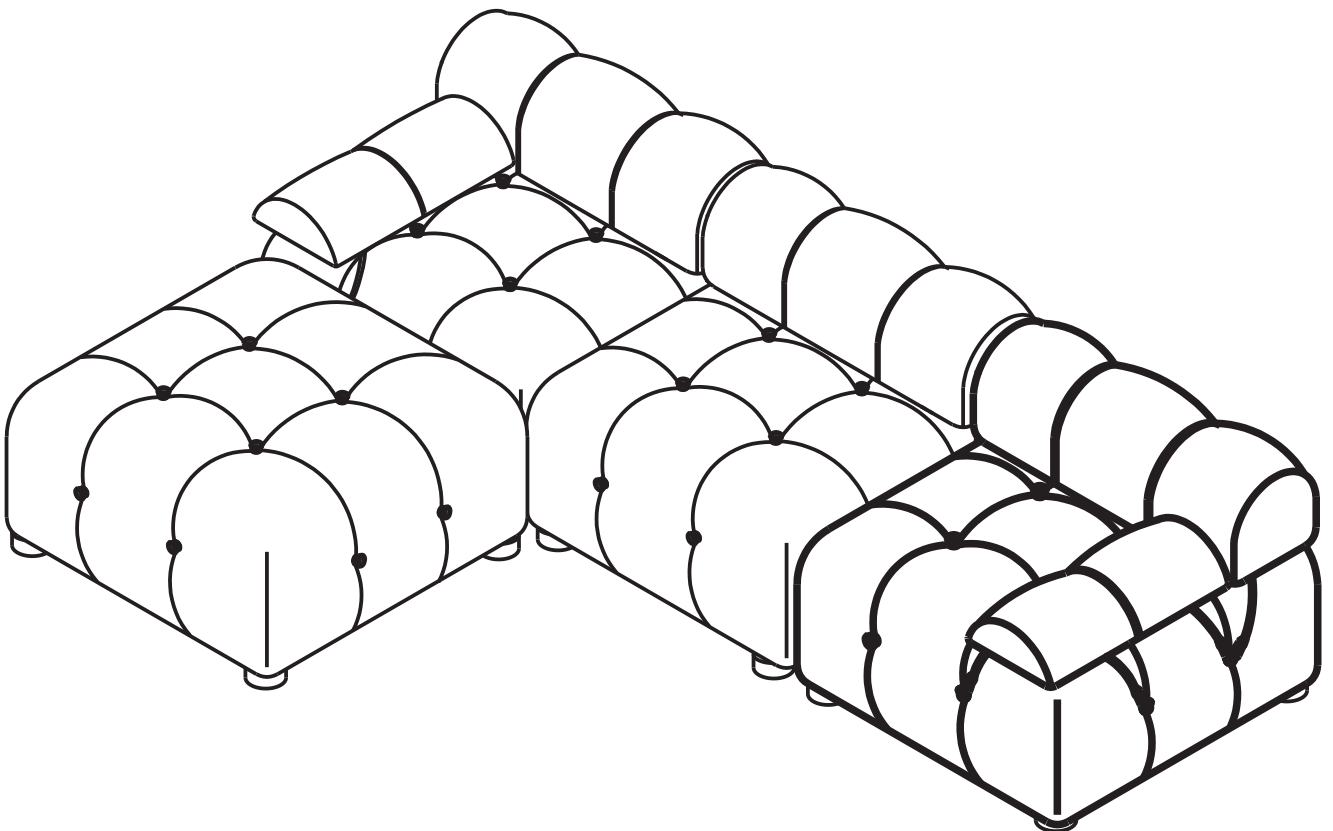
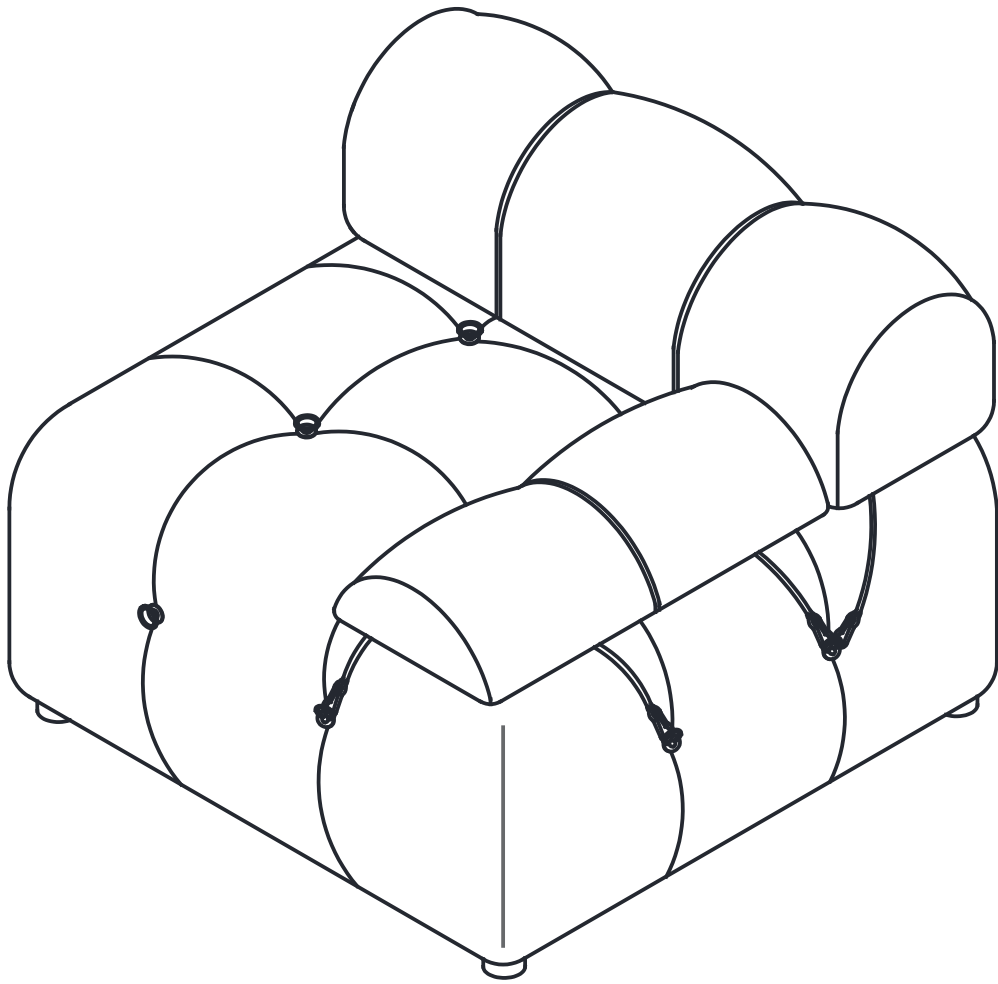
TOTAL 4 BUTTON (B)

5



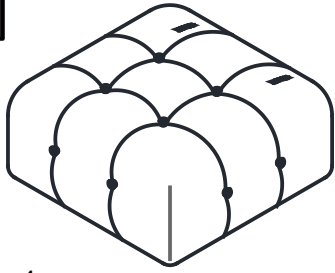
TOTAL 5 BUTTOM (C)





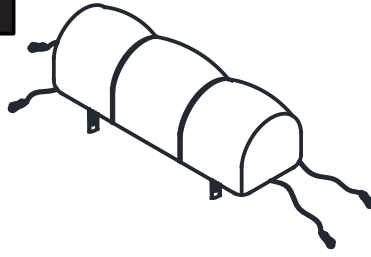
# ASSEMBLY INSTRUCTION

**A**



1pc

**B**



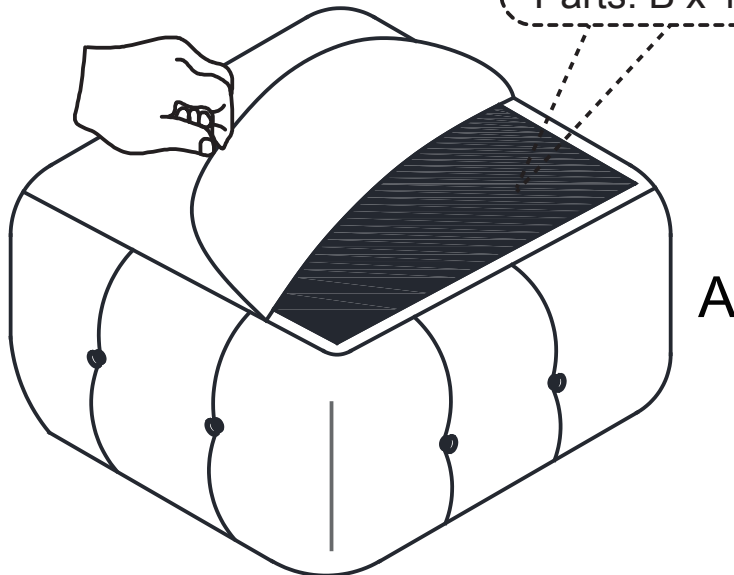
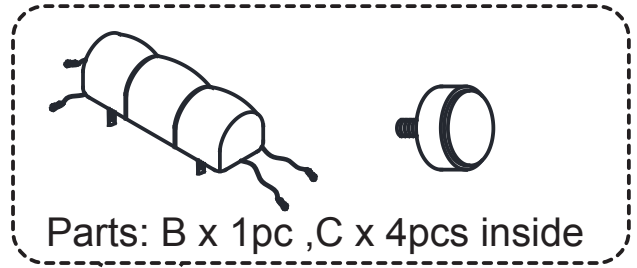
1pc

**C**

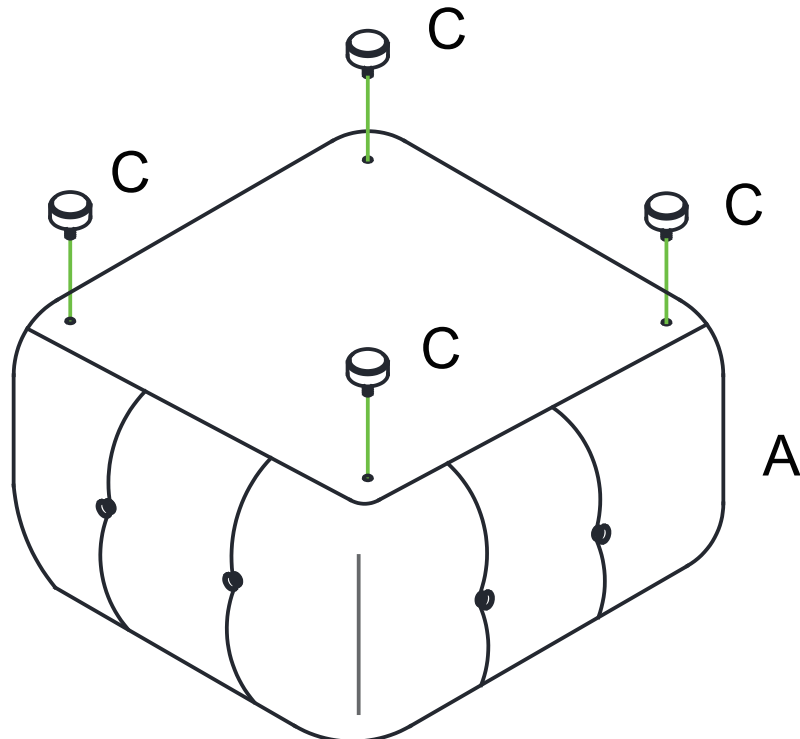


4pcs

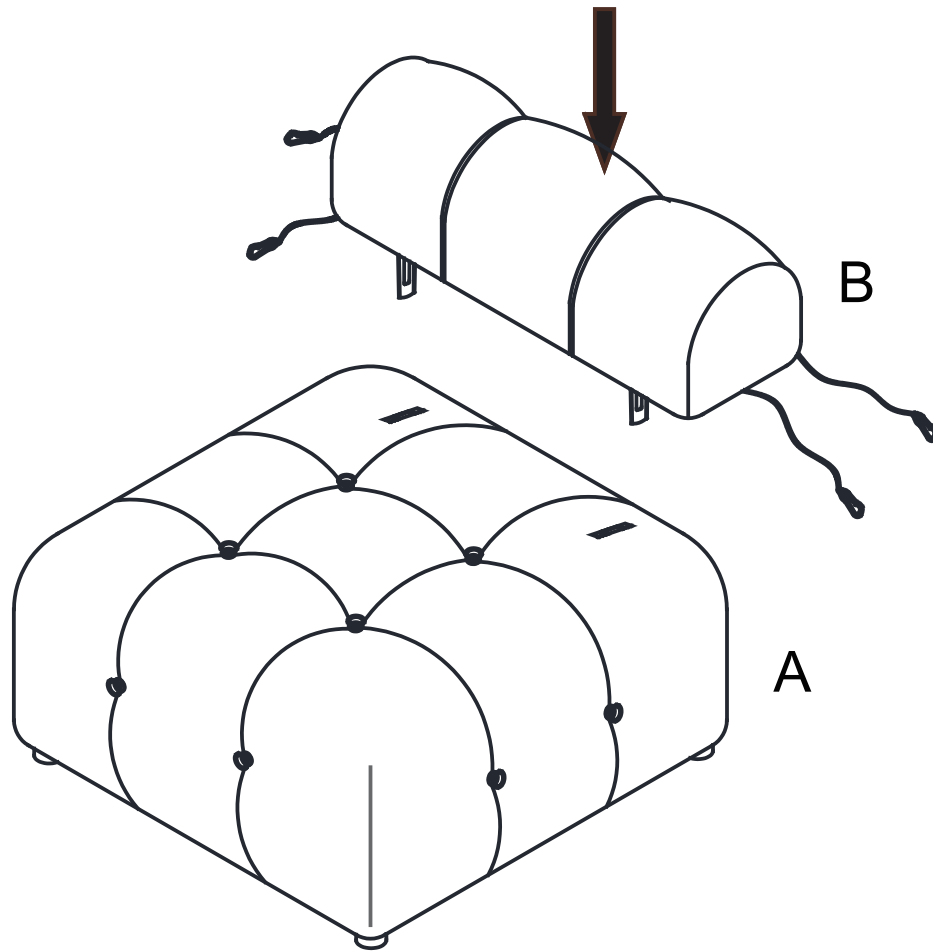
**1**



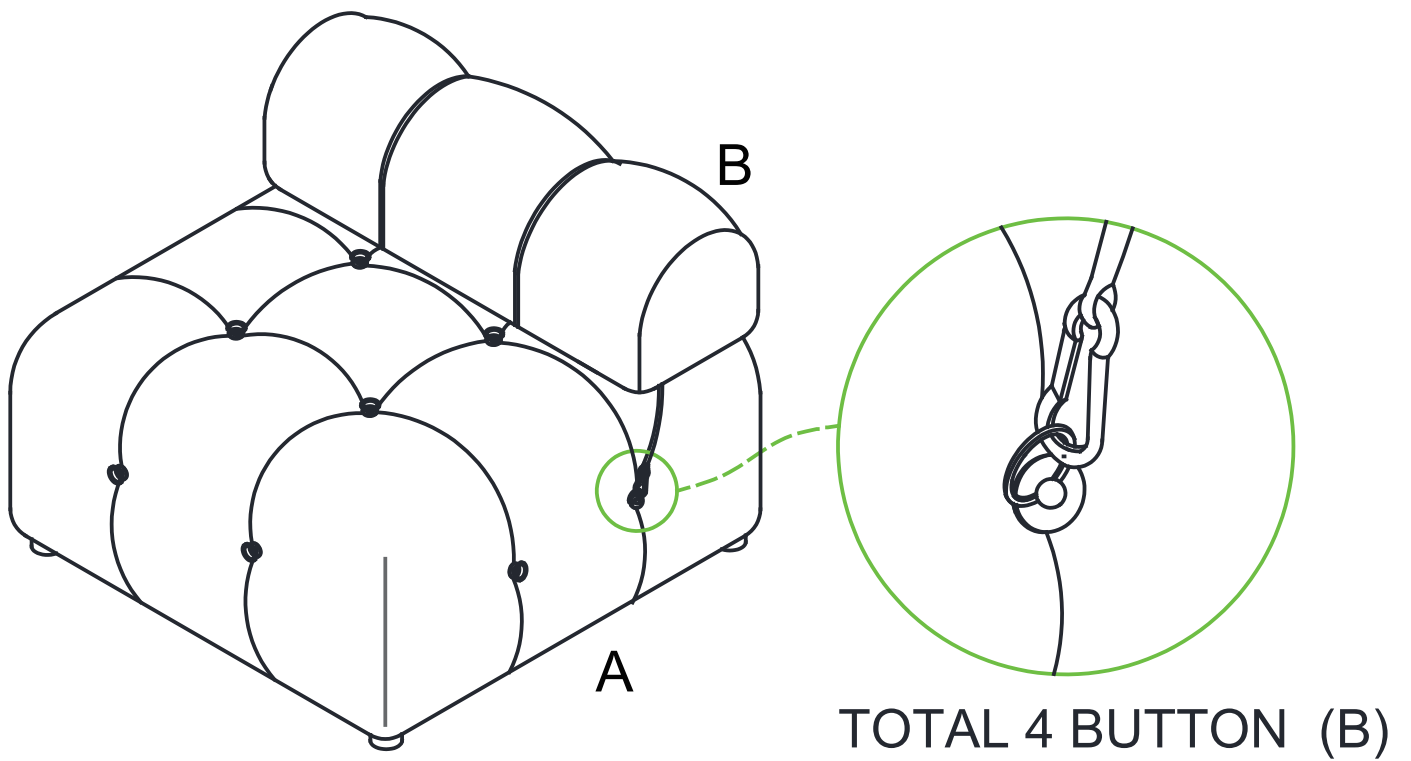
**2**

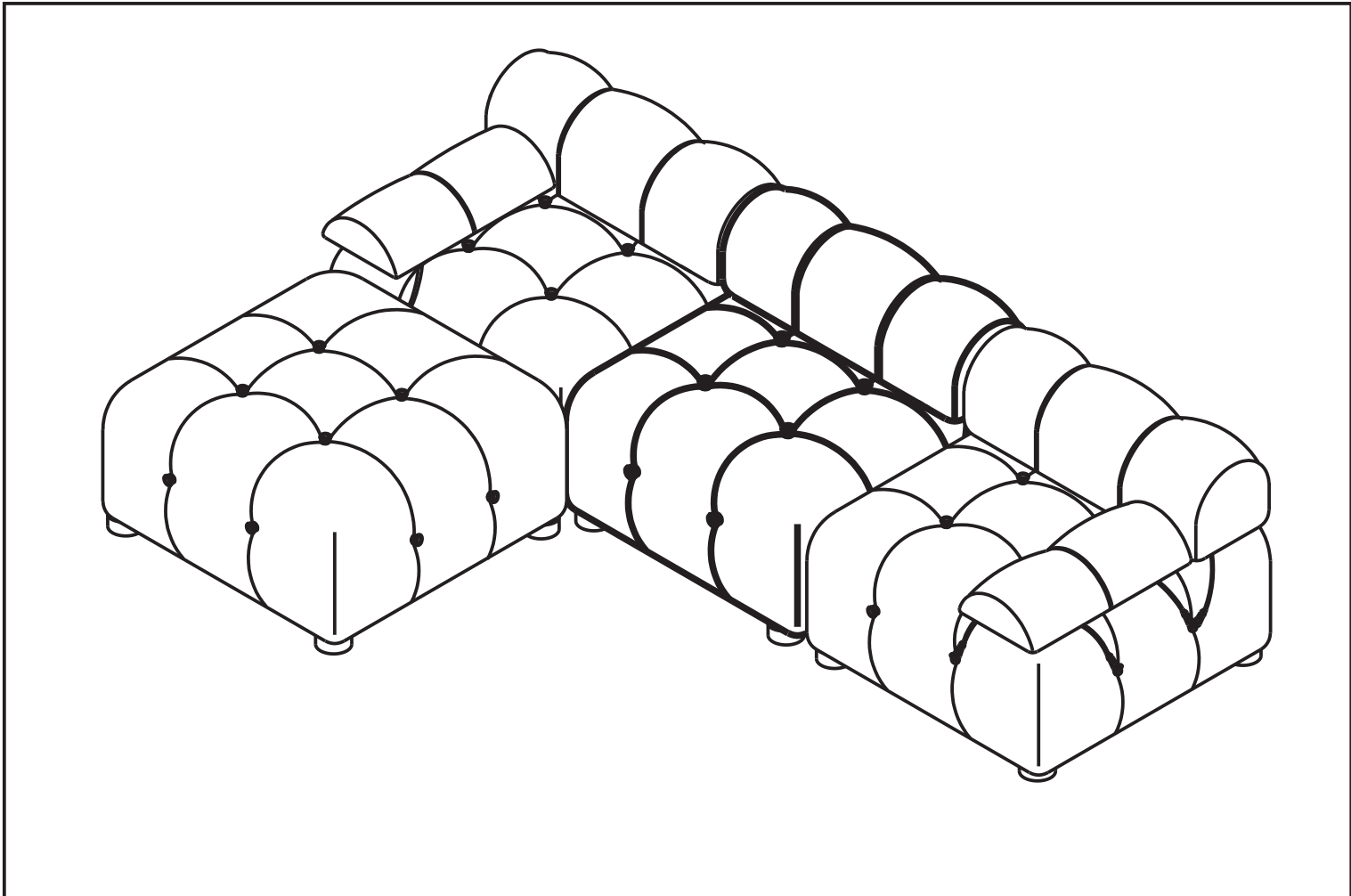
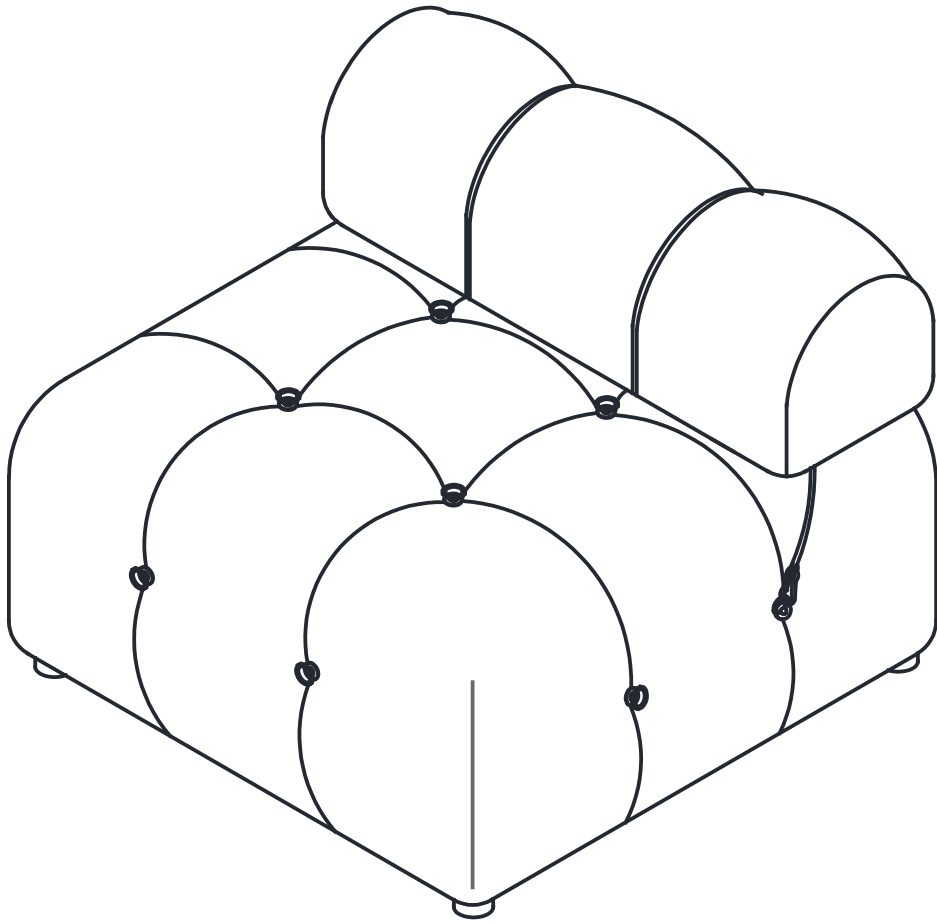


3



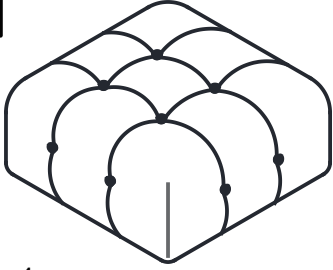
4





# ASSEMBLY INSTRUCTION

**A**



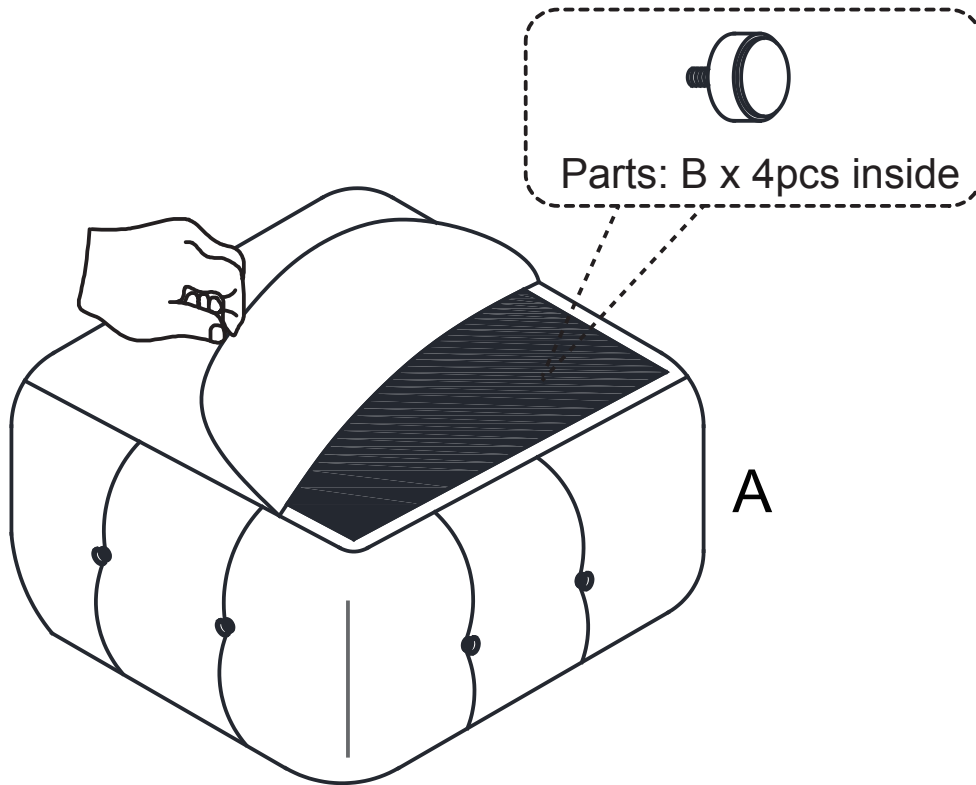
1pc

**B**



4pcs

**1**



**2**



