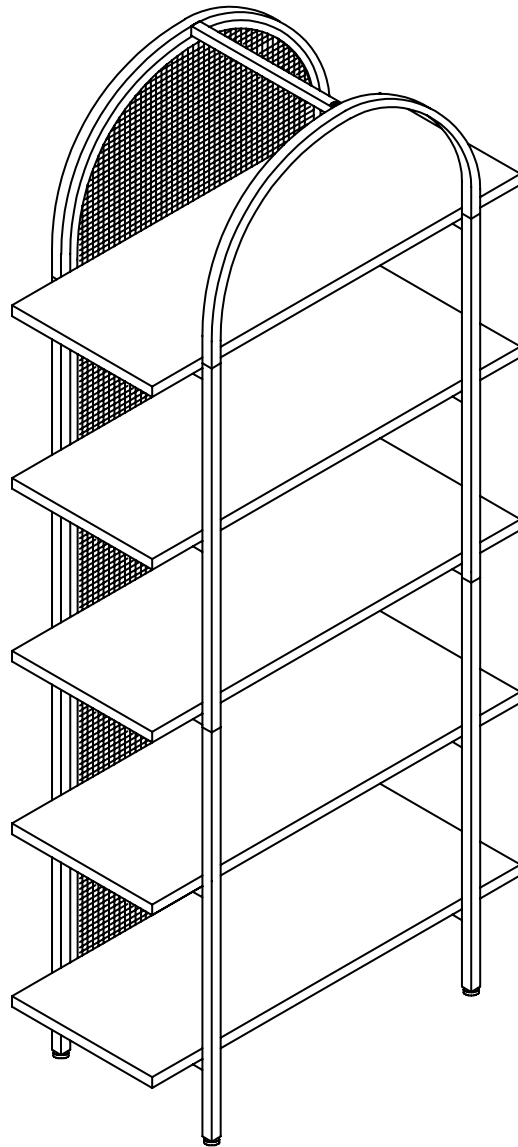


Let's build the

# Amara Bookshelf

SKU 67302



**Scan me!**

Free Lifetime  
Warranty

nathan james

23-0713\_VN

# Ok, let's get rolling

This should be easy, just follow our instructions and you will be back to Netflix in no time.

## Estimated time for assembly



60:00

## What you need

- Some of your favourite bubbly or your preferred relaxant
- Use the packaging carton as a working surface to prevent product damage during assembly
- Phillips head screwdriver

## Weight Limitation



275 lbs.

55 lbs. per shelf

Toll-free at 1-866-619-1004  
Help@nathanjames.com  
Nathanjames.com/help



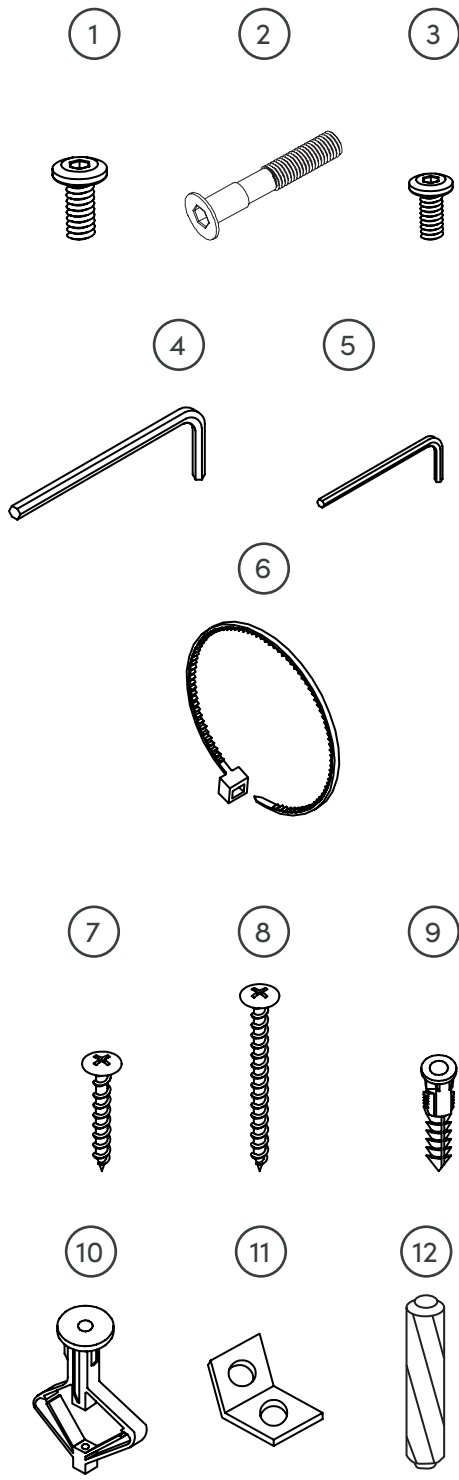
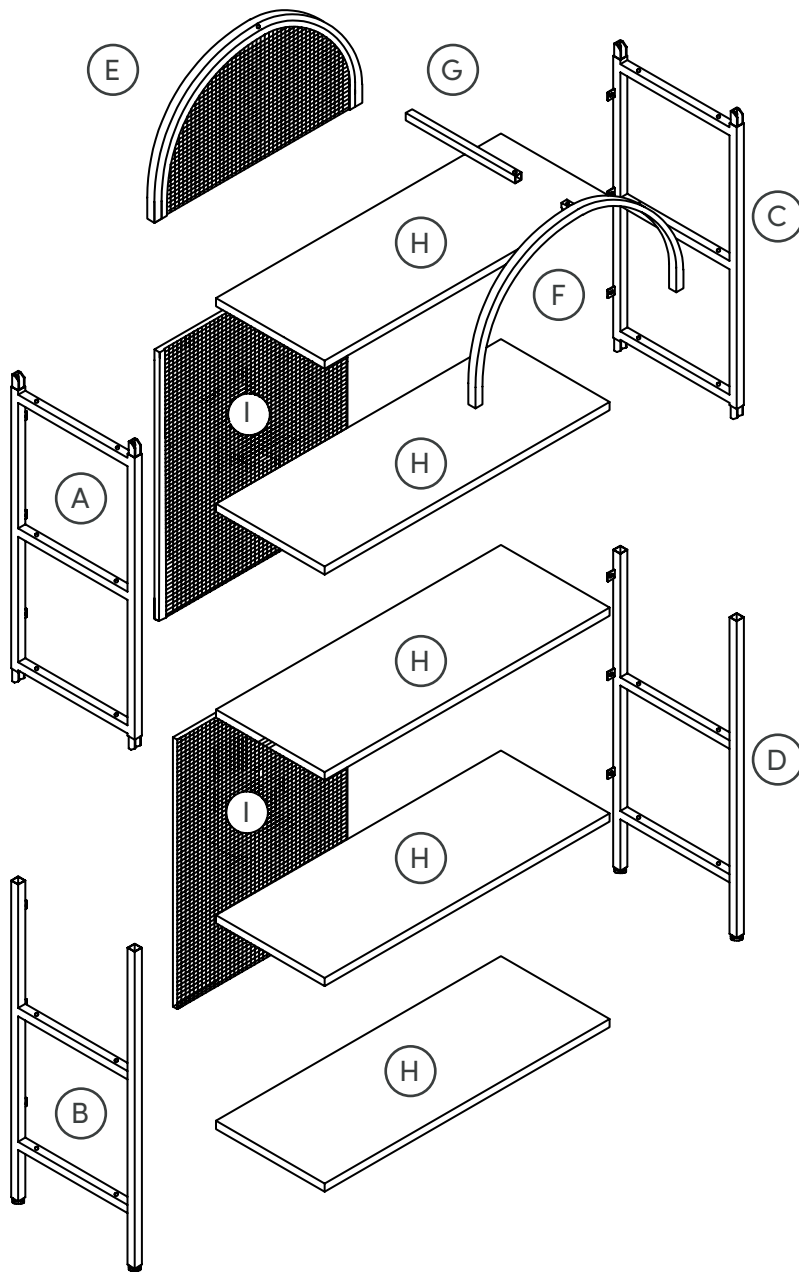
Scan me!

Free Lifetime  
Warranty

## What's included

Description	Qty
A Left Top Side Frame	1
B Left Bottom Side Frame	1
C Right Top Side Frame	1
D Right Bottom Side Frame	1
E Back Top Frame	1
F Front Top Frame	1
G Top Stretcher	1
H Shelves	5
I Back Panel	2
1 M6*12mm Bolt	9
2 M6*32mm Bolt	21
3 M4*13mm Bolt	12
4 Big Allen Key (for M6 Bolt)	1
5 Small Allen Key (for M4 Bolt)	1
6 Plastic Tether (for anti-tip)	1
7 M4*32mm Screw for Non-drywall Anchor	1
8 M4*50mm Screw for Drywall Anchor	1
9 Non-Drywall Wall Anchor (for anti-tip)	1
10 Drywall Wall Anchor (for anti-tip)	1
11 Metal bracket	1
12 M6*30 Woden Dowel	1

# The goods

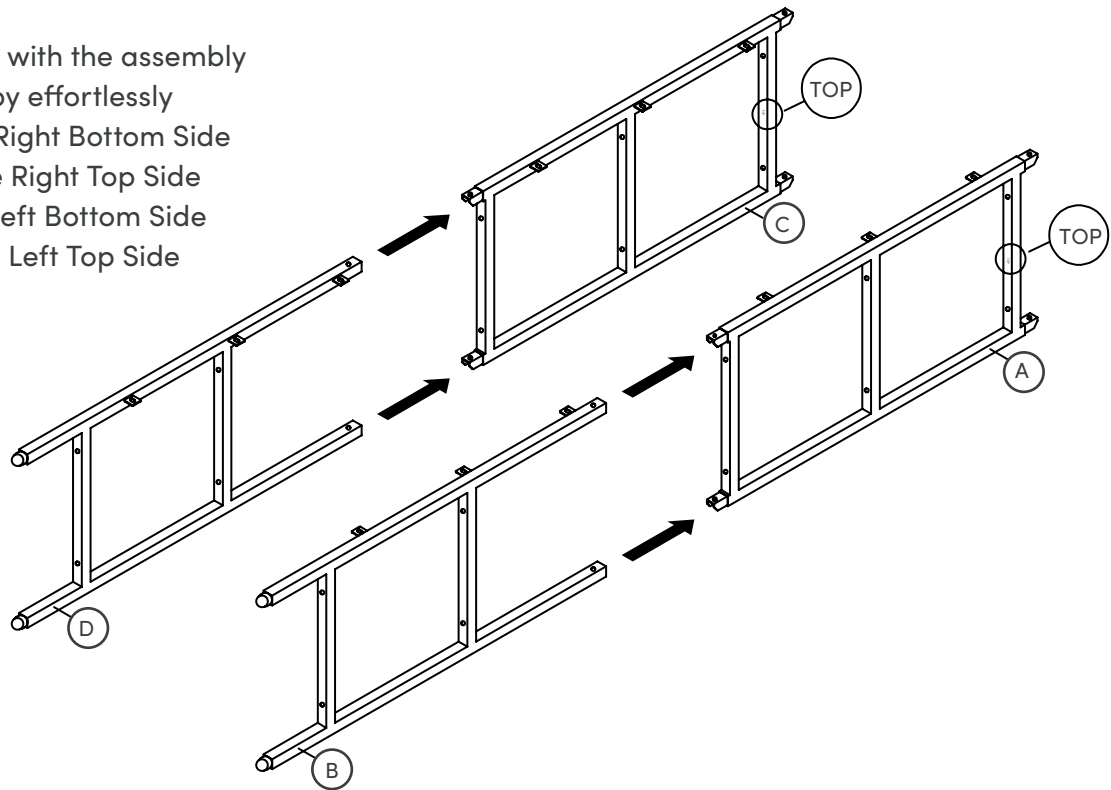


## IMPORTANT

1. Do not tighten bolts / screws completely until all bolts / screws are lined up and inserted into holes.
2. Do not over tighten screws and bolts to avoid stripping.
3. Please use hand tools to assemble this product. Do not use power tools.

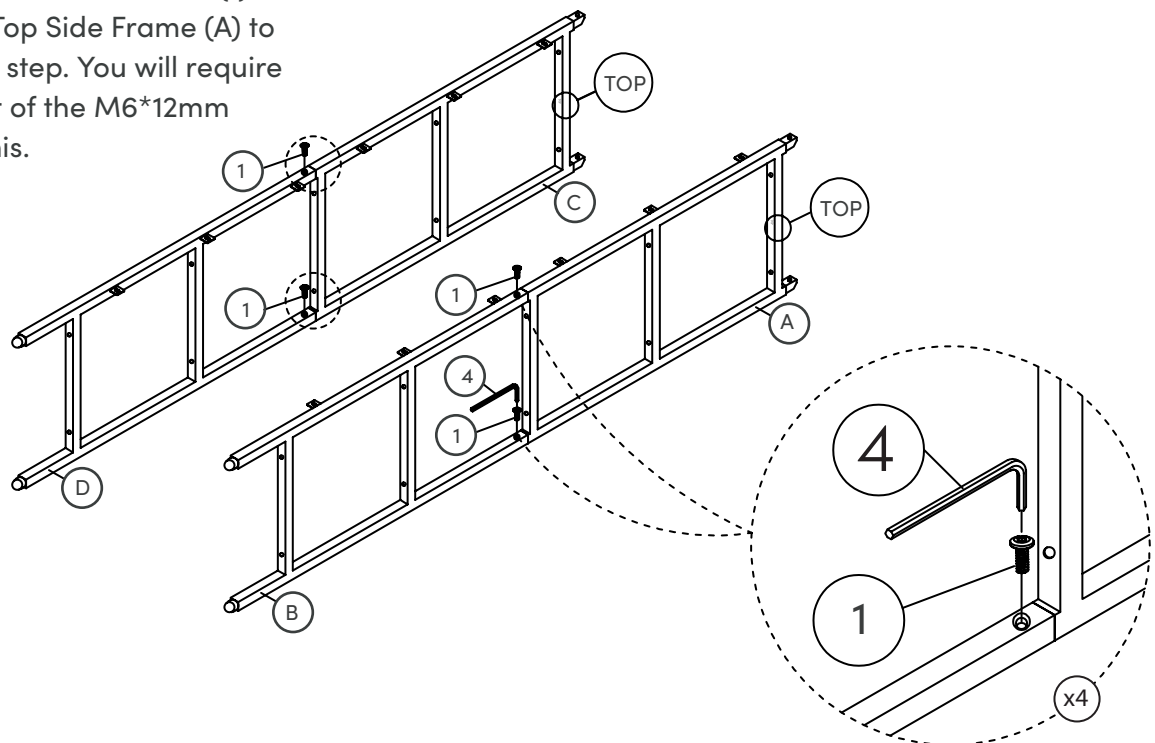
# Step 1

Let's get started with the assembly process. Begin by effortlessly connecting the Right Bottom Side Frame (D) to the Right Top Side Frame (C) and Left Bottom Side Frame (B) to the Left Top Side Frame (A).



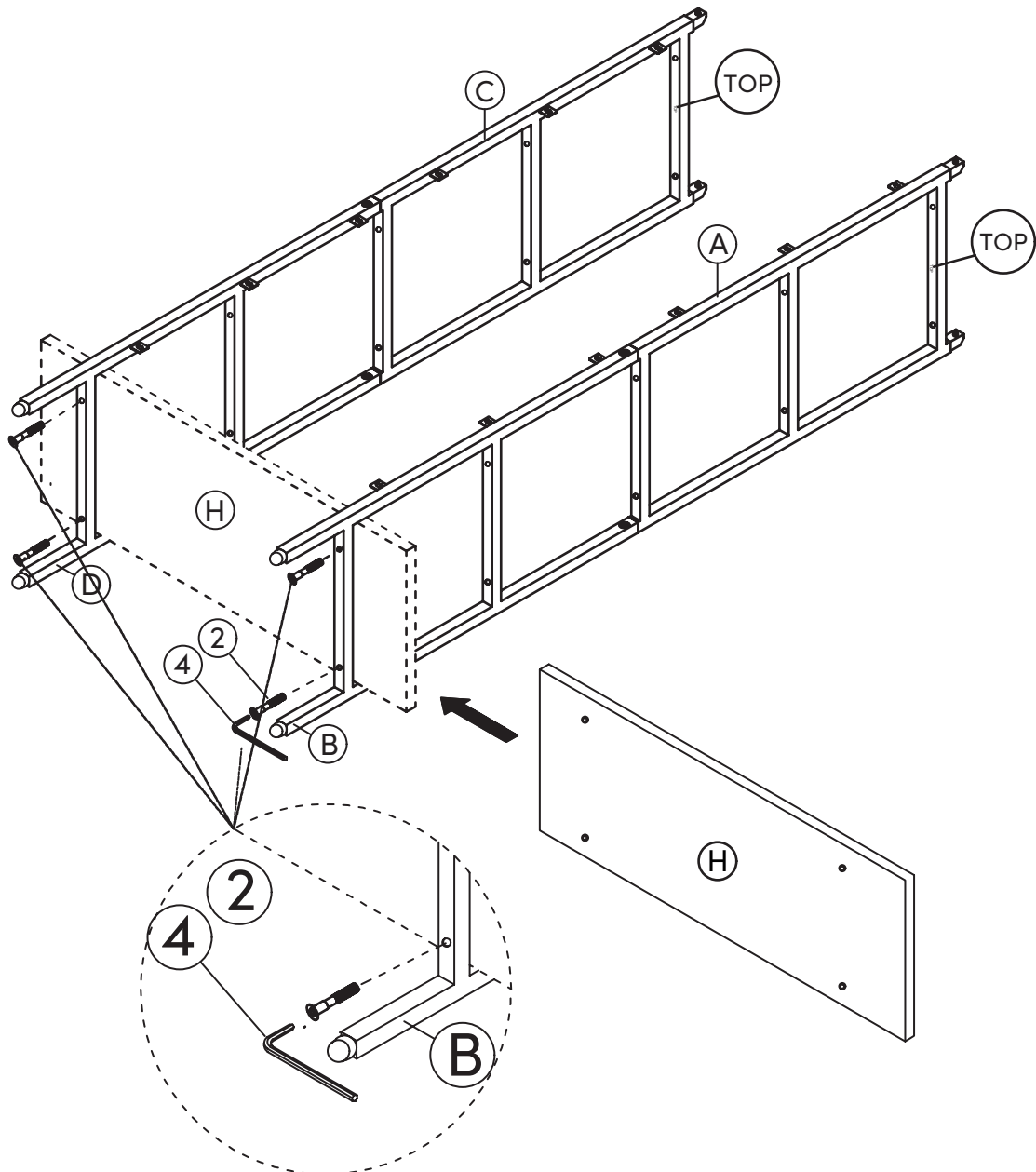
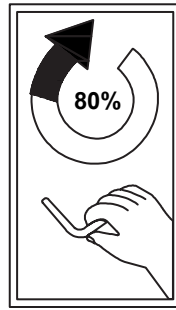
# Step 2

After attaching the pieces, our next task is to securely fasten them in place. Use the M6\*12mm Bolt (1) and the Left Top Side Frame (A) to complete this step. You will require a total of four of the M6\*12mm Bolts (1) for this.



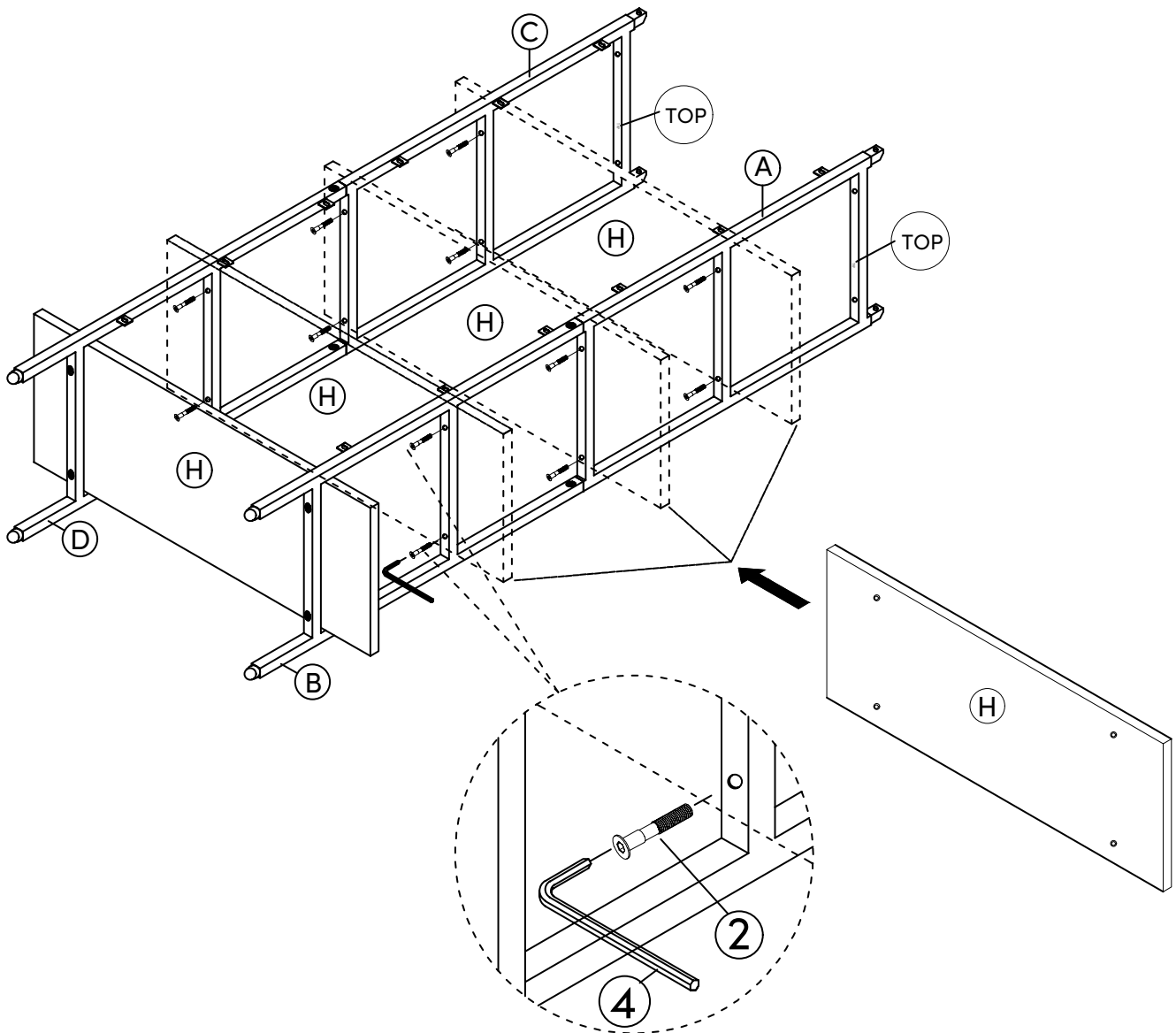
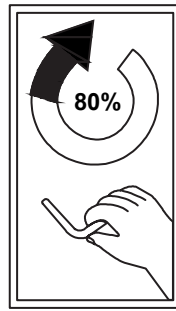
# Step 3

Now it's time to position the shelves correctly. Slide the Shelves (H) through the Left Top Side Frame (A) and the Right Top Side Frame (C) at the bottom of the frame. To ensure a secure placement, use the M6\*32mm Bolt (2) and Big Allen Key (4). Repeat this process four times, once for each corner of the shelf.



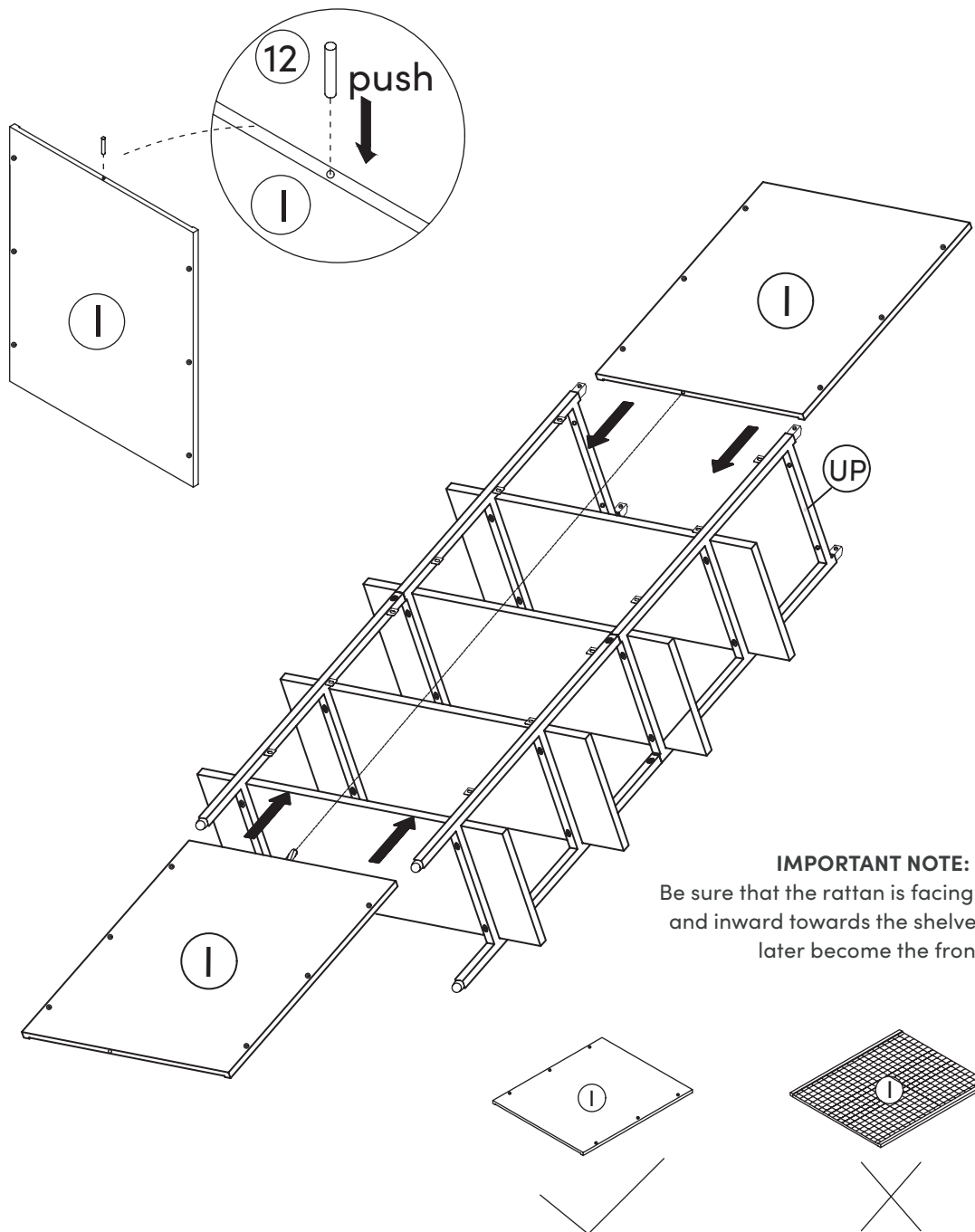
# Step 4

Great job so far! Now, repeat Step 3 for each shelf. Slide them into place and secure each shelf using the M6\*32mm Bolts (2) and the Big Allen Key (4).



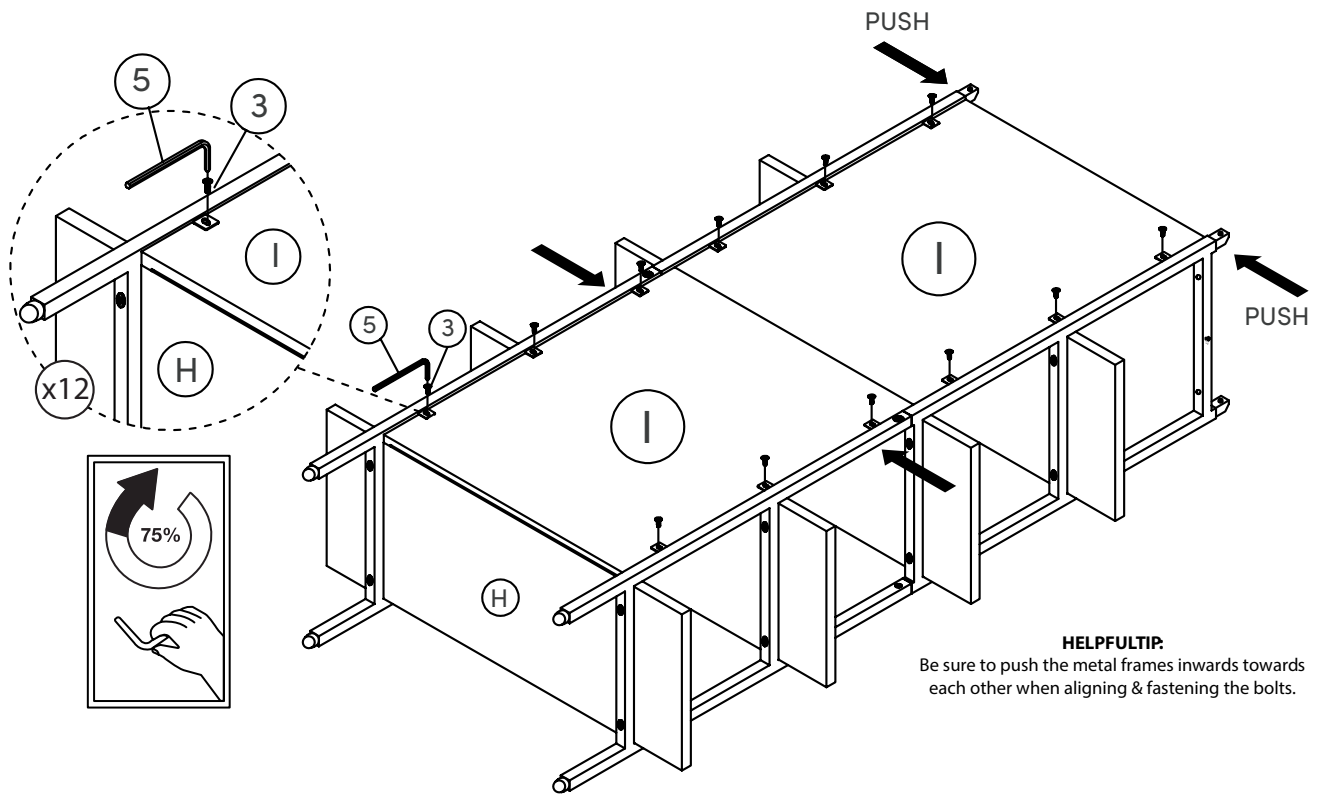
# Step 5

We're getting closer. Take the Back Panel (I) and slide it into position. This will serve as the back of the shelf, so ensure that the rattan is facing downward and inward towards the shelves, as it will later become the front.



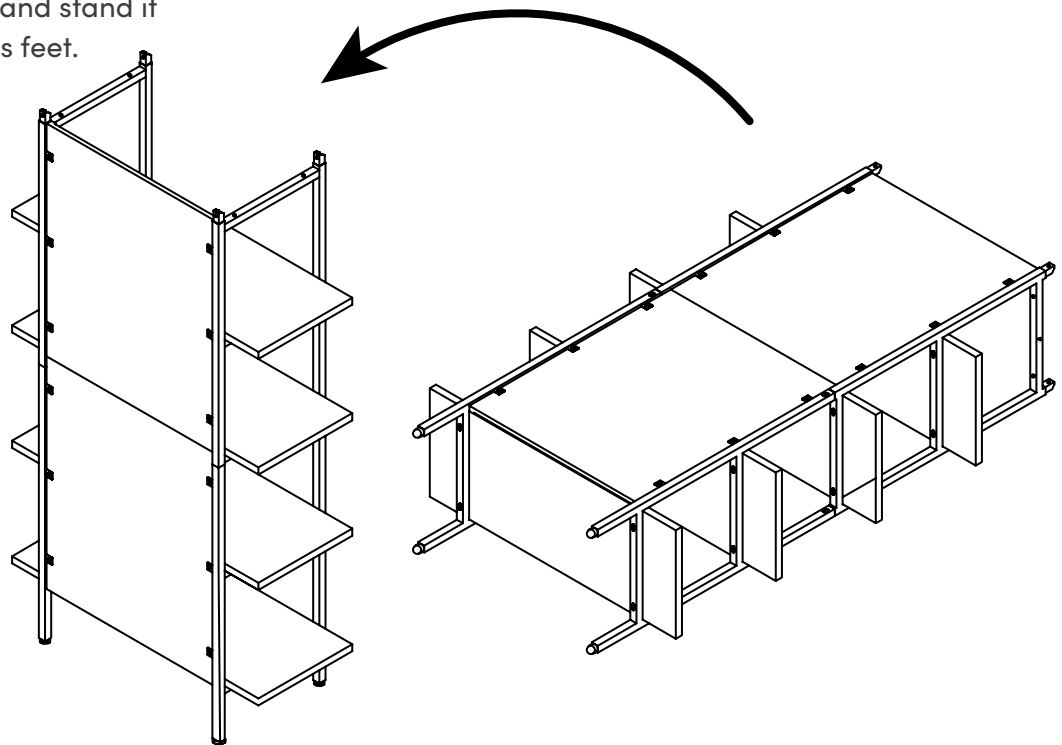
# Step 6

Now we need to secure the Back Panel (I) to the rest of the assembly. Use the M4\*13mm Bolts (3) and the Small Allen Key (5) for this step, while pushing each side of the assembly inward to ensure a tight fit. Tighten the screws to approximately 75%.



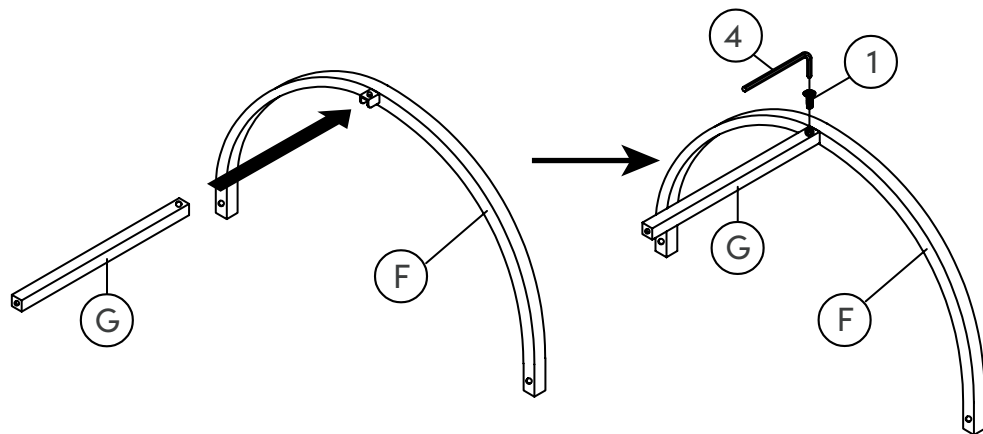
# Step 7

Halfway there! Take the partially assembled structure and stand it upright on its feet. n its feet.



# Step 8

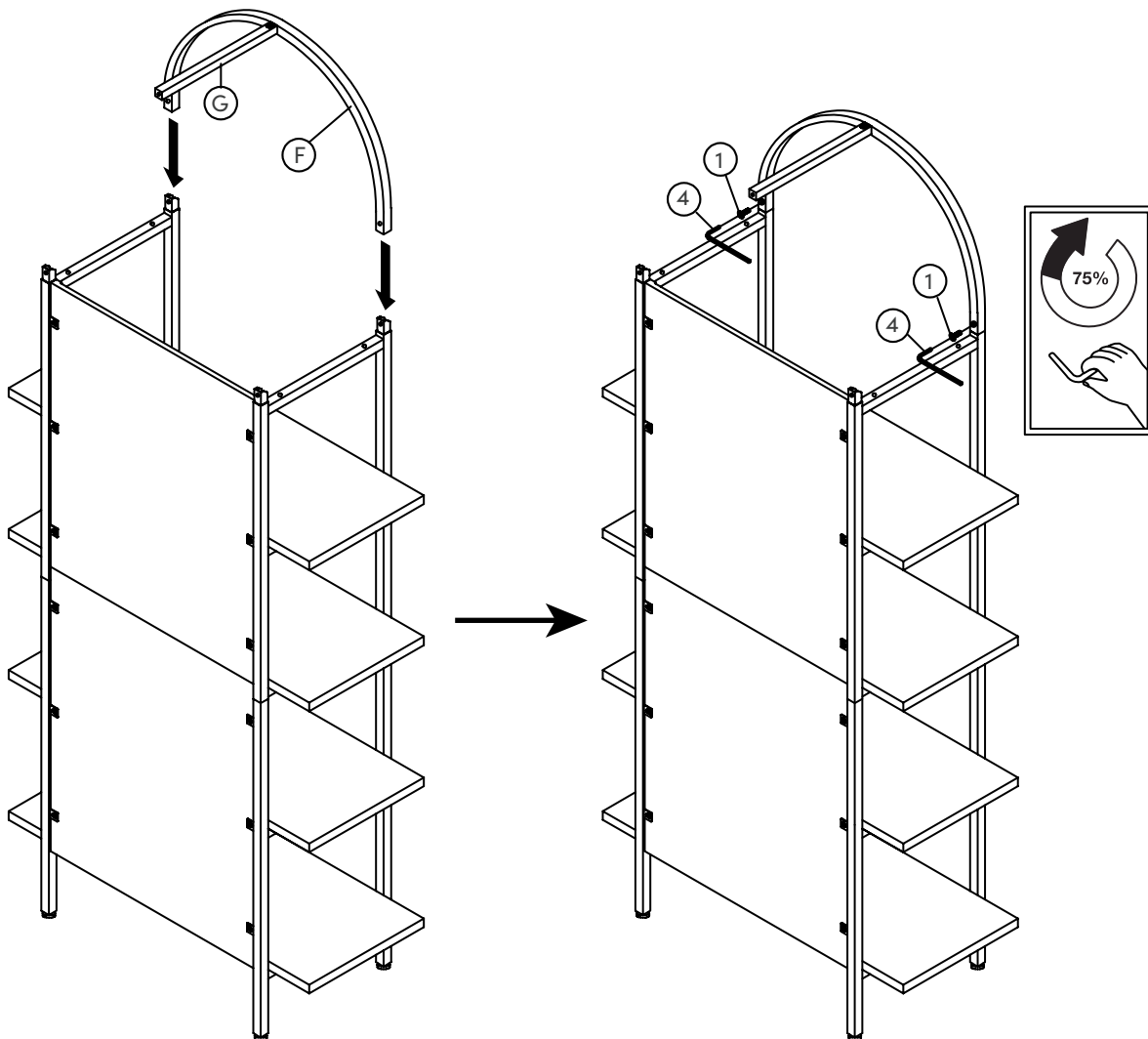
Let's start assembling the top part of the shelf. Secure the Top Stretcher (G) and the Front Top Frame (F) together using the M6\*12mm Bolts (1) and the Big Allen Key (4).



# Step 9

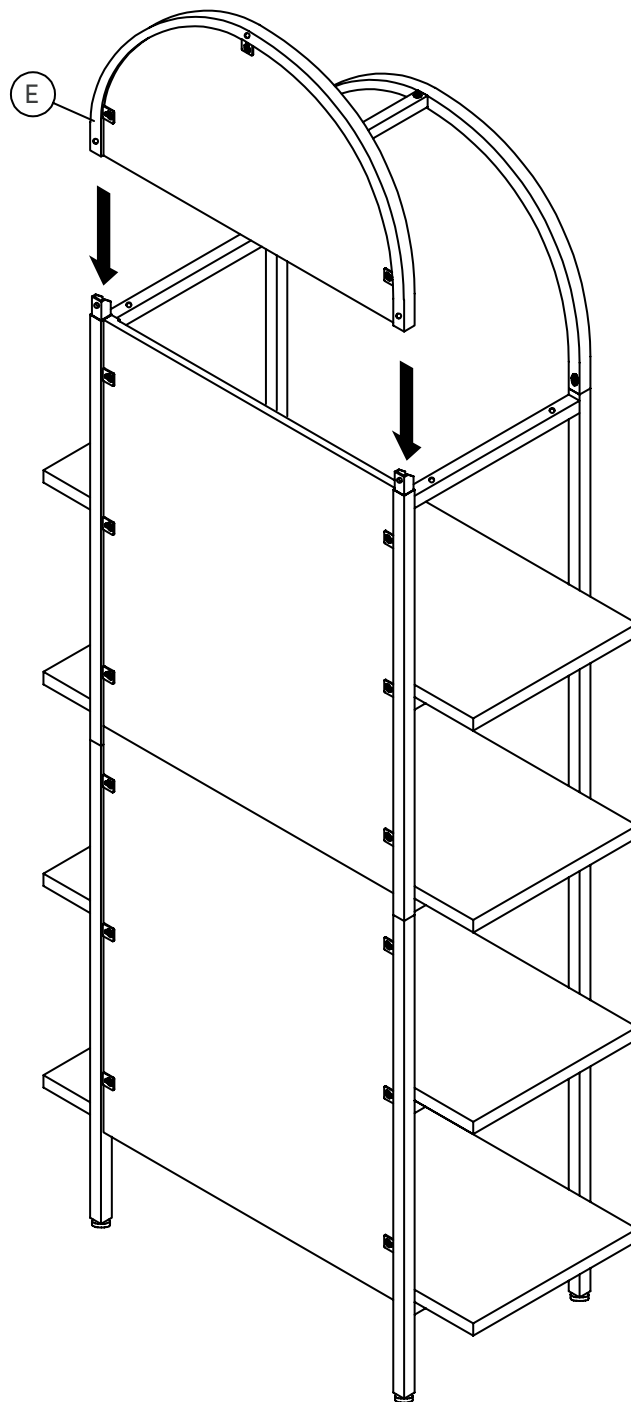
Take the combined pieces from Step 8 and slide them onto the shelf assembly. Use the M6\*12mm Bolts (1) and the Big Allen Key (4) to firmly secure these pieces in place.

Tighten the screws to around 75%.



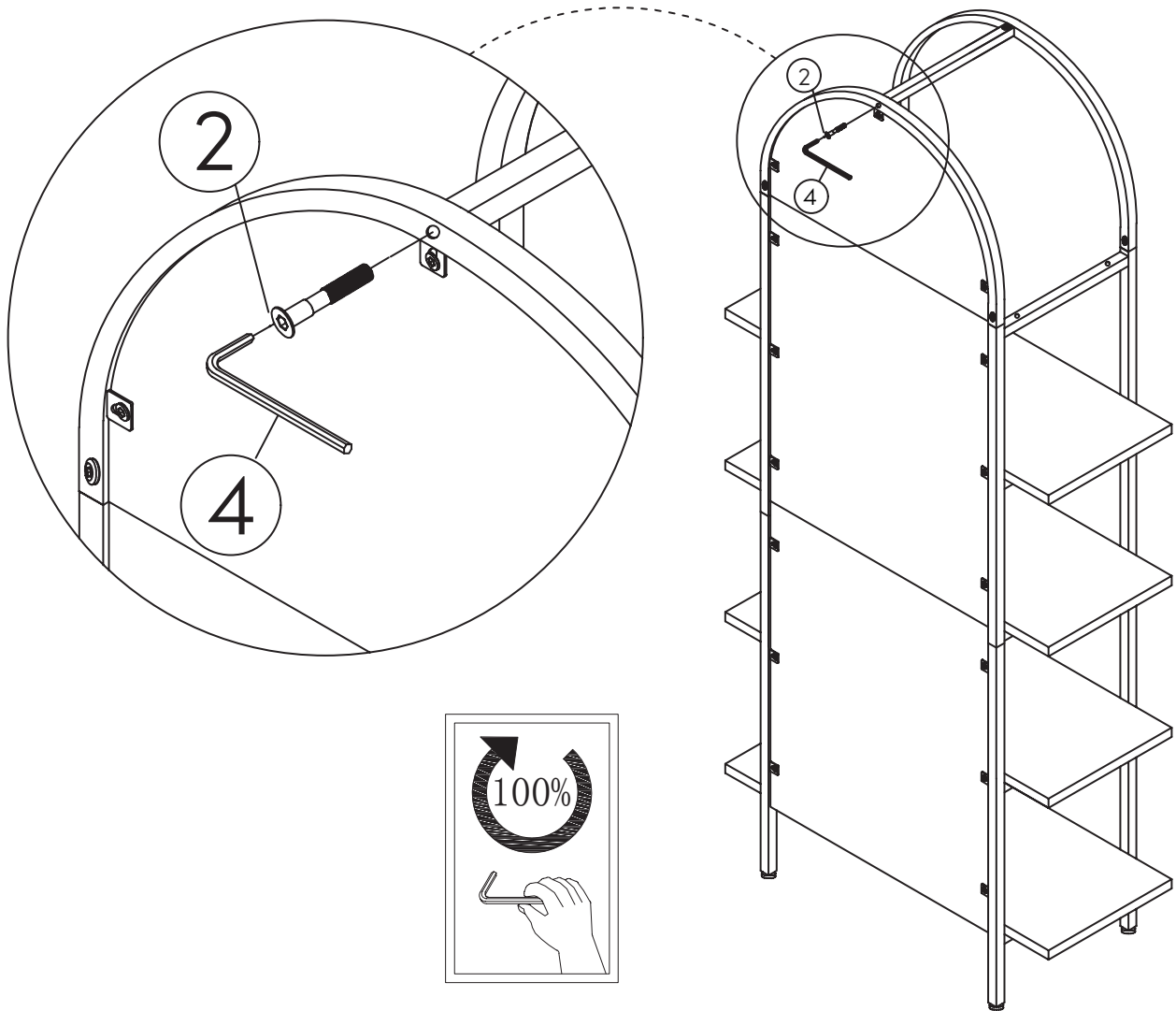
# Step 10

Slide the Back Top Frame (E) onto the top, backside of the bookshelf.



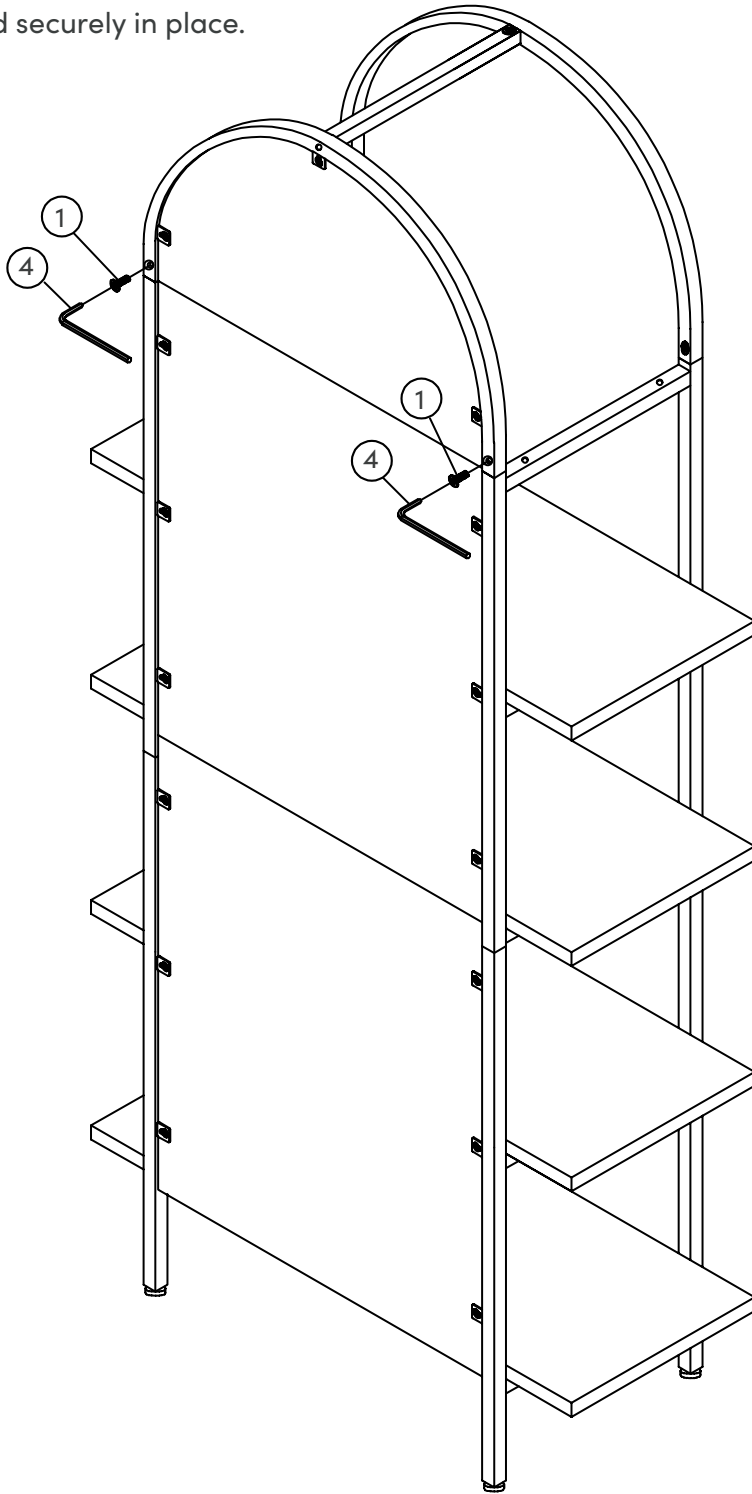
# Step 11

Secure Back Top Frame (E) into place using the M6\*32mm Bolts (2) and the Big Allen Key (4).



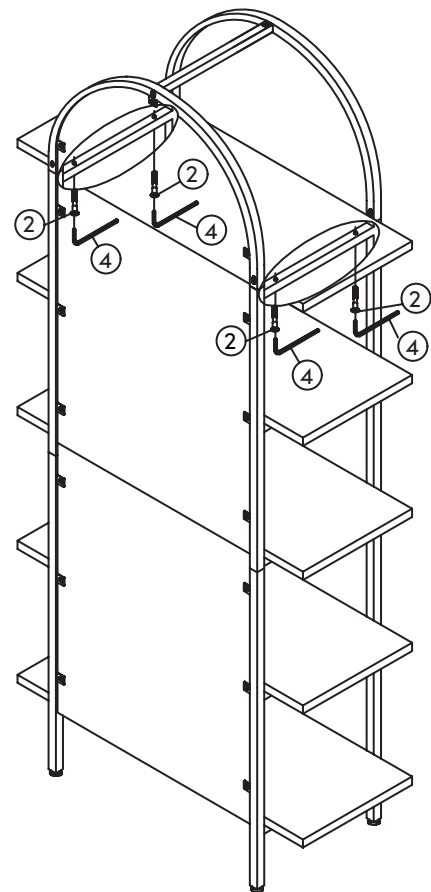
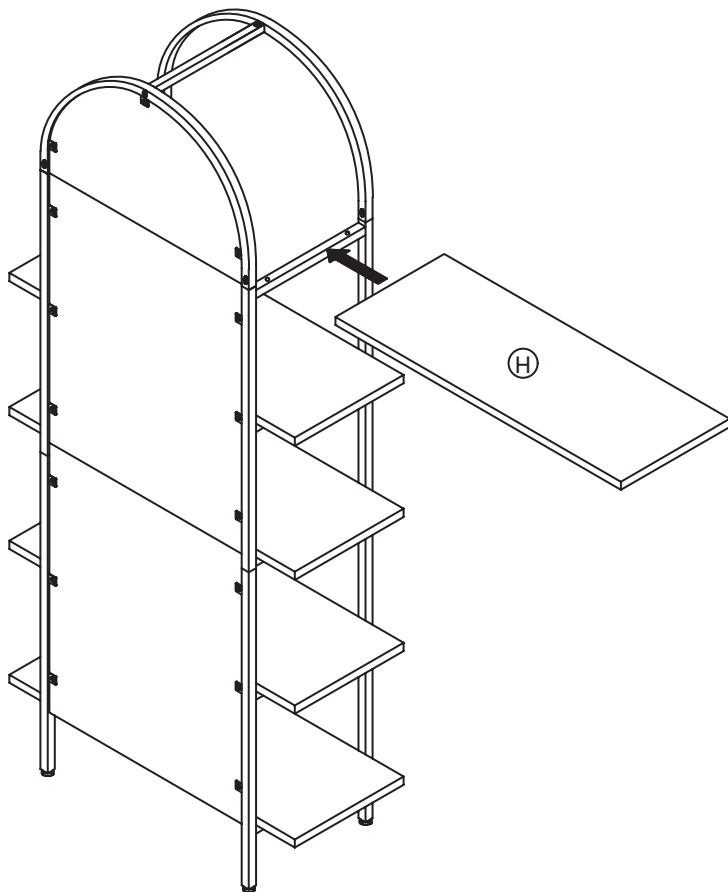
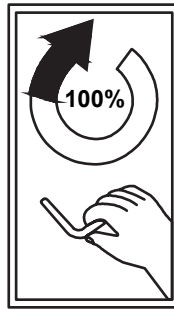
# Step 12

Now, use the M6\*12mm Bolts (1) and the Big Allen Key (4) on each side of the Back Top Frame (E) to ensure it is held securely in place.



# Step 13

Slide on the final shelf (top shelf) and secure it in place using M6\*32mm Bolts (2) and the Big Allen Key (4).



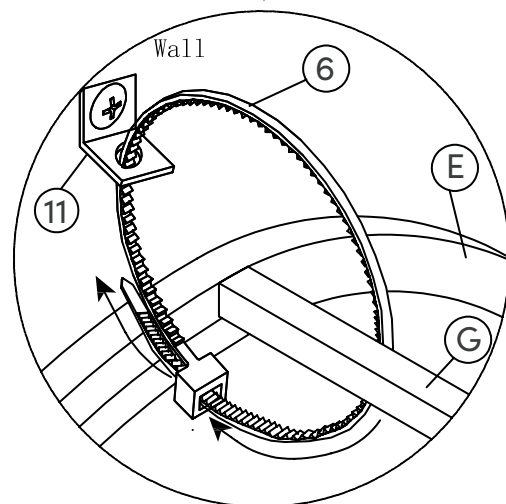
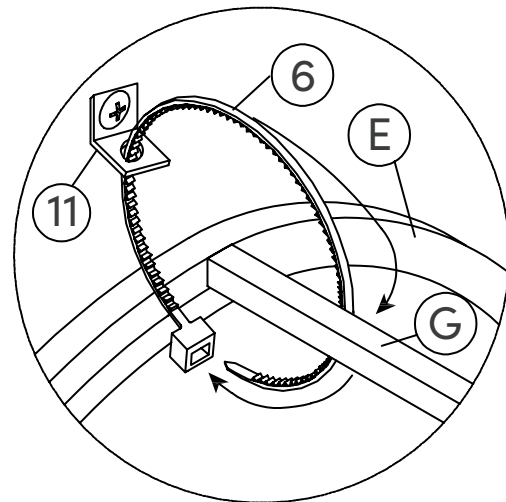
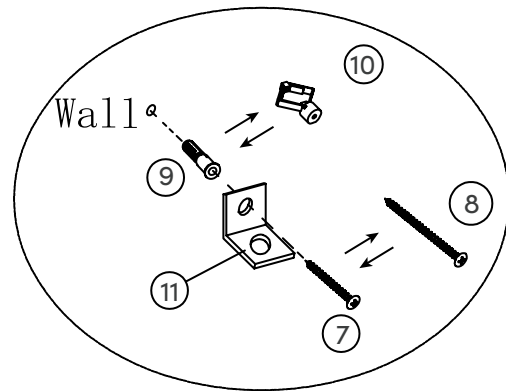
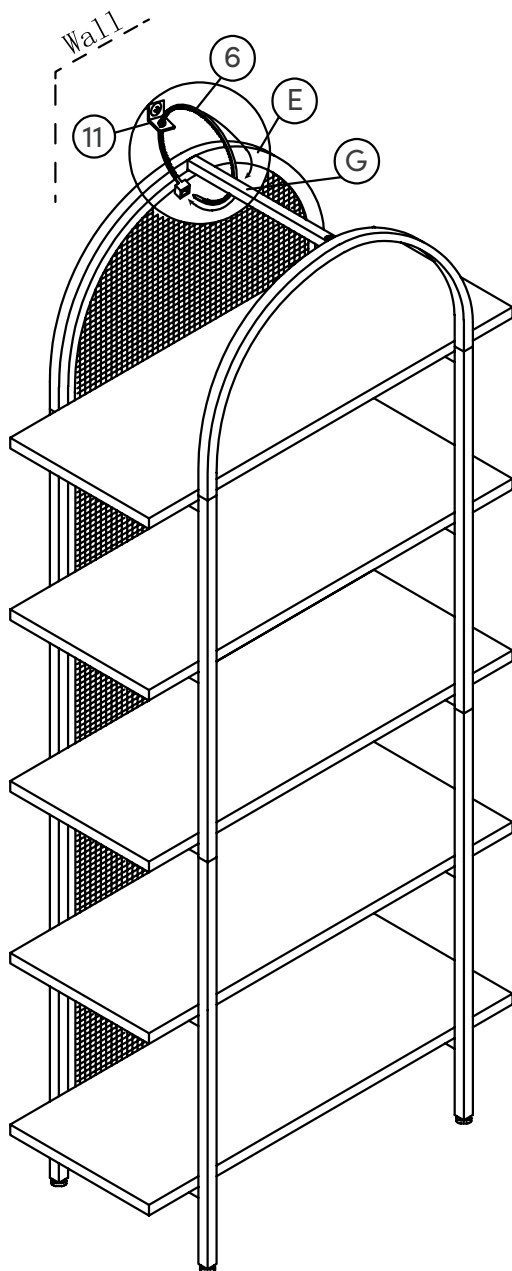
### IMPORTANT NOTE:

Now is the time to go back and tighten all partially tightened connections to 100%

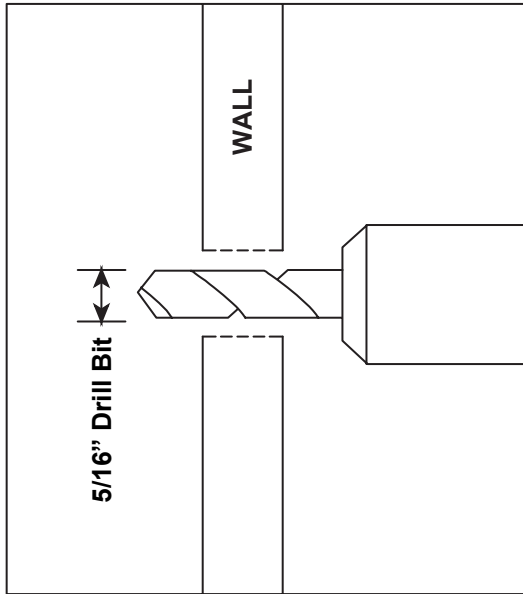
# Step 14

Prioritize safety! Let's attach the bookshelf to the wall. Use the Plastic Tether (6) to attach the Metal Bracket (11) to the wall, then loop the Plastic Tether (6) through both the Metal Bracket (11) and the Back Top Frame (E), finally bringing it back through itself.

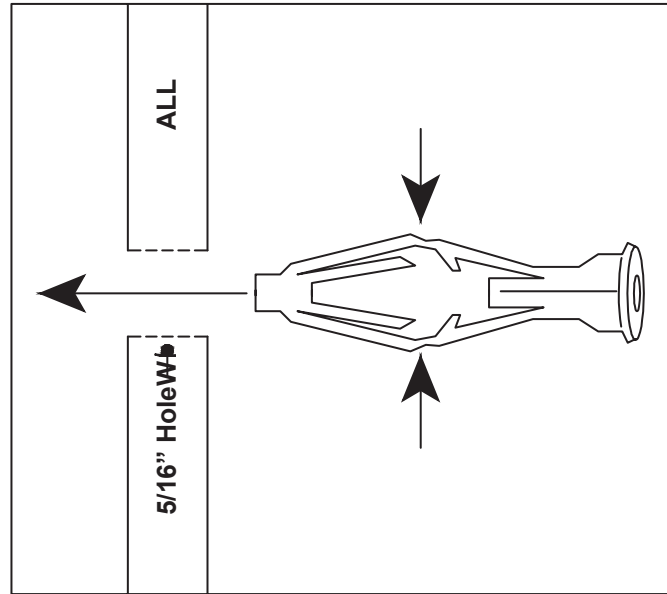
**IMPORTANT NOTE:**  
Non-Drywall requires Non-Drywall Anchor (9);  
drill holes using 1/4" drill bit  
  
Drywall requires Drywall Anchor (10);  
drill holes using 5/16" drill bit



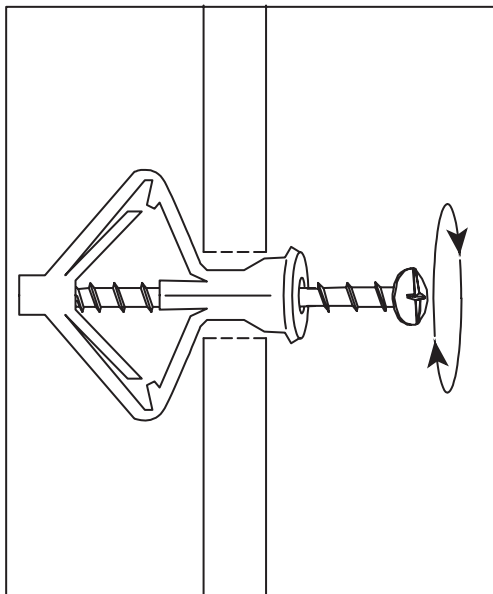
# How to use Drywall Anchors



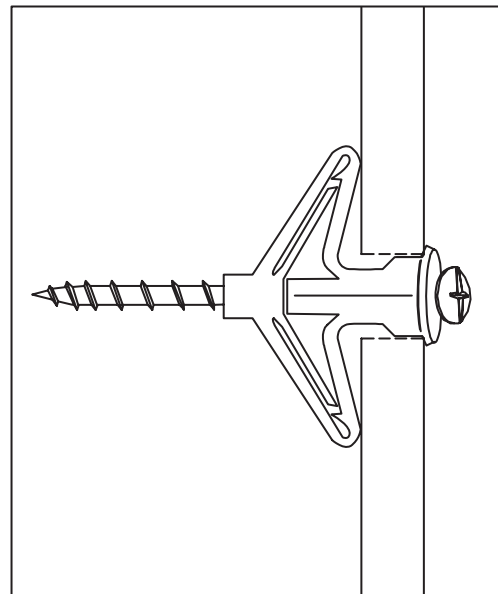
1. Drill hole with 5/16" bit.



2. Pinch and insert.



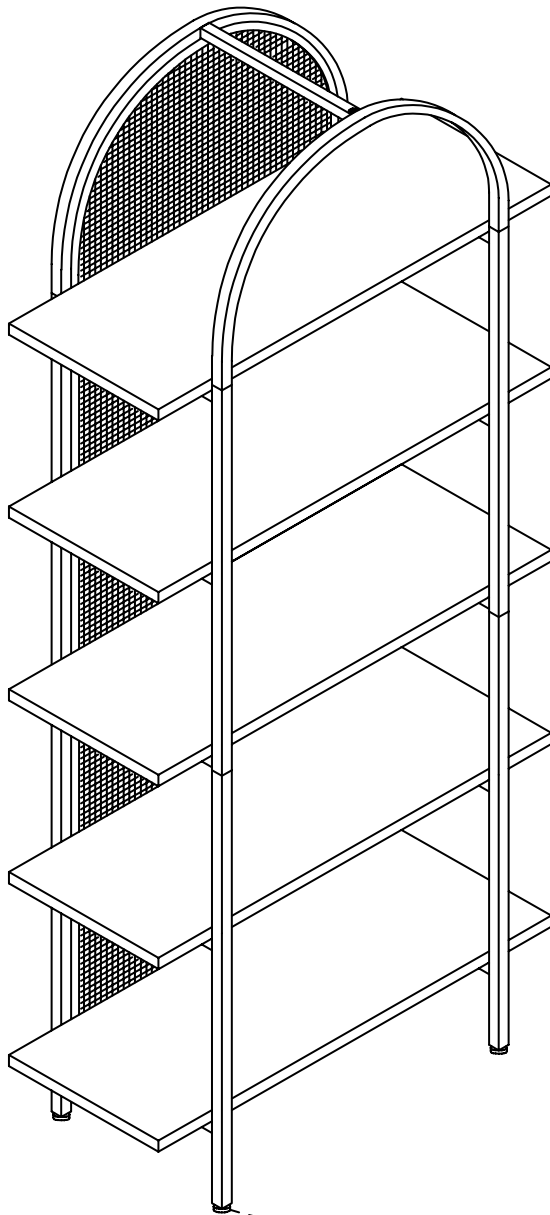
3. Begin tightening.



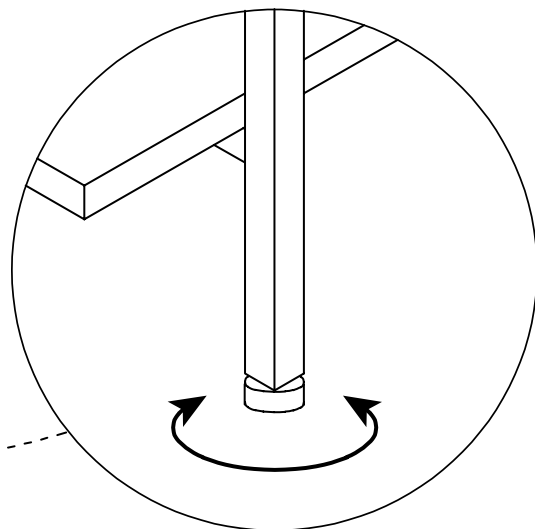
4. Anchor is secure when screw is tightened to 100%!

# Step 15

Congratulations! You did it!  
Your bookshelf is now complete.  
Celebrate by arranging and styling  
it according to your preferences,  
and take a moment to appreciate  
the beauty of your new bookshelf!



Wobbly or unlevel?  
Adjust feet until stable!



# No heartburn, when we handle the return

Give us a call **1-866-619-1004** or shoot us a message at **help@nathanjames.com** we will issue you a free replacement with **zero hassle**.

## Our way



Give us a call

---



Replacement

---



You

## Their way



Re-package item

---



Schedule pick up

---



Track package

---



Replacement

---



You

We really don't want you to go through the hassle of re-packaging your item and sending it back, because let's be honest...nobody has time for that.

# Safety first, fun later

We want your product to last as long as possible, so we recommend that you tighten the screws 2 weeks after assembly and for added safety check the tightness of all screws every 2 months.

For proper care and treatment, please check our website at [NathanJames.com/products](http://NathanJames.com/products)

## Safe use of this product starts with you.

Use this product responsibly with the primary concern for your safety. Follow assembly instructions carefully and inspect product upon receipt and each use.

Nathan James and its parent companies cannot be held legally responsible for any injuries or death resulted from failure to follow instructions or improper use of this product.

## Do not modify the structure of this product in any way.

Our products have been tested to meet specific safety measures as they were originally intended to be sold. Any modifications will present the risk of creating significant safety issues which NJ will not be responsible for.

## Proper use

- DO NOT** use for commercial purposes
- DO NOT** frolic on shelf
- DO NOT** use shelf as foot stool
- DO NOT** leave spilled liquid on shelf
- DO NOT** use shelf if damaged
- DO NOT** make temporary repairs
- DO NOT** use outdoors

# We are only in business if you're happy

For starters, thanks for being you.

☎ Toll-free at 1-866-619-1004

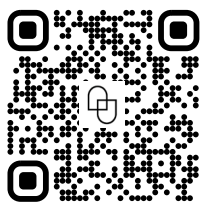
✉ Help@nathanjames.com

🌐 NathanJames.com/help

We do our best to ensure your furniture arrives without any problems, but occasionally mistakes happen—as humans we are imperfect beings. In the event that a part is damaged or missing, we will be more than happy to provide you with replacement part(s) for free.

## Warranty

This product comes with a lifetime warranty from the date of purchase. Please use your phone to scan the QR code to register your product or visit <https://goo.gl/i9dk3q>



### Did we do alright? Please spread the love!

If you are happy with your product, tell your friends and family about us or even better leave us a review online. Spreading the word gives us the opportunity to make more people happy and keep our prices low for your next purchase.

*Brooklyn Burden*

Founder, Nathan James