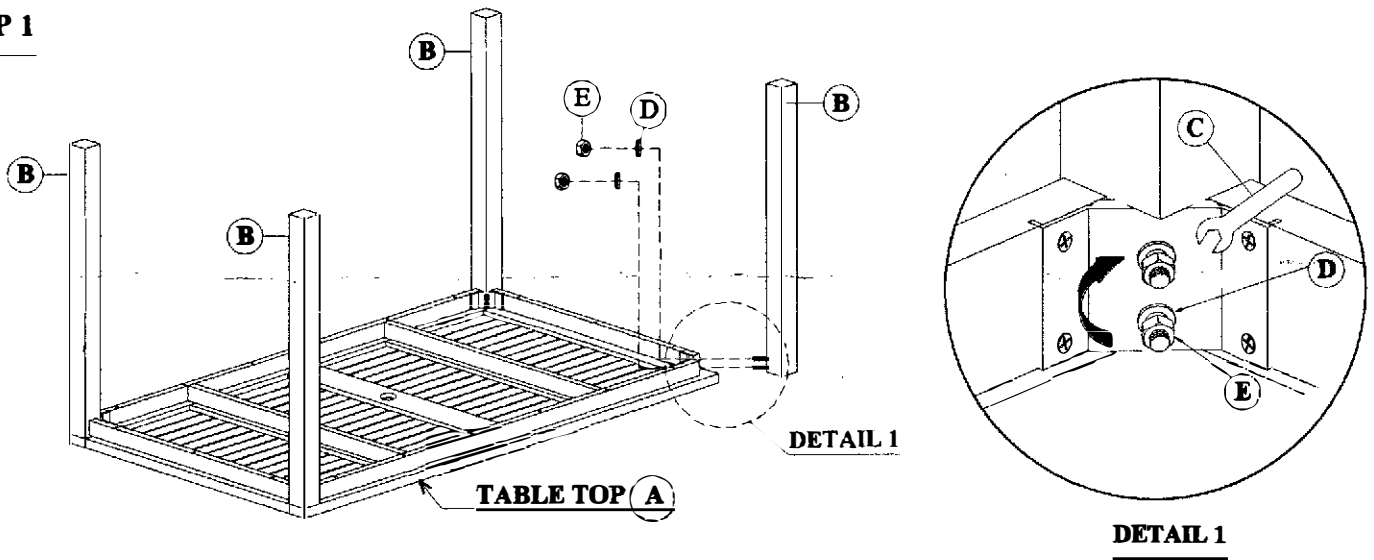


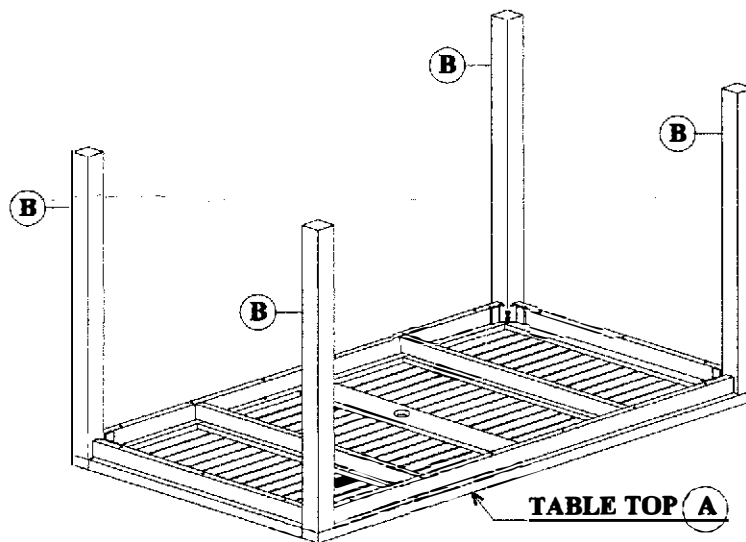
# ASSEMBLY INSTRUCTIONS

## TEAKWOOD RECTANGULAR BAR TABLE (ATF80)

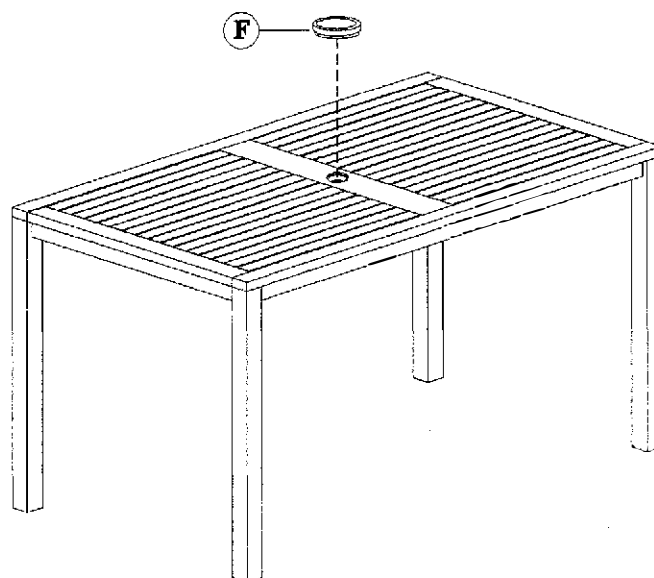
### STEP 1



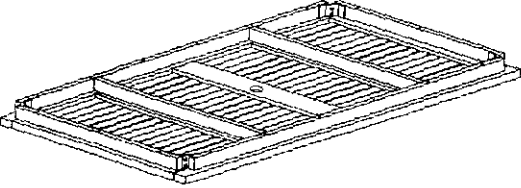





### STEP 2



### STEP 3



**ASSEMBLY INSTRUCTIONS**  
**TEAKWOOD RECTANGULAR BAR TABLE ( ATF80 )**

NO.	PARTS.	QTY.
A	<p style="text-align: center;"><b>TABLE TOP</b></p> 	1
B	<p style="text-align: center;"><b>LEGS.</b></p> 	4
C	<p style="text-align: center;"><b>WRENCH</b></p> 	1
D	<p style="text-align: center;"><b>WASHER</b></p> 	8+1
E	<p style="text-align: center;"><b>NUT</b></p> 	8+1
F	<p style="text-align: center;"><b>BRASS CAP</b></p> 	1