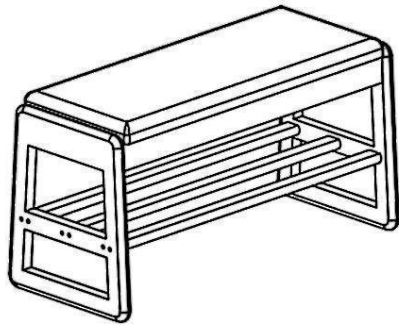


Installation Diagram

Specification name: Shoe Bench 80CM/31.5inch

Note: (already installed) in the parts list and hardware list
It means it has been installed in the finished product and is not in the hardware package!



Parts List

Number	Name	Diagram	Specification	quantity
1	Panel		750*300*100MM	1
2	Base plate		400*343*25MM	2
3	Middle vertical version		750*40*20MM	3

Hardware List

number	Name	Diagram	Specification	Quantity
A	Flat head hexagon socket screw		M6*35MM	6
B	Flat gasket		M6* ϕ 13MM	6
C	Mountain yarn		ϕ 7*50MM	12
D	Hexagon wrench		4*22*60MM	1
E	Hinge (Installed)		70mm Cleat (20, 110 degrees)	2

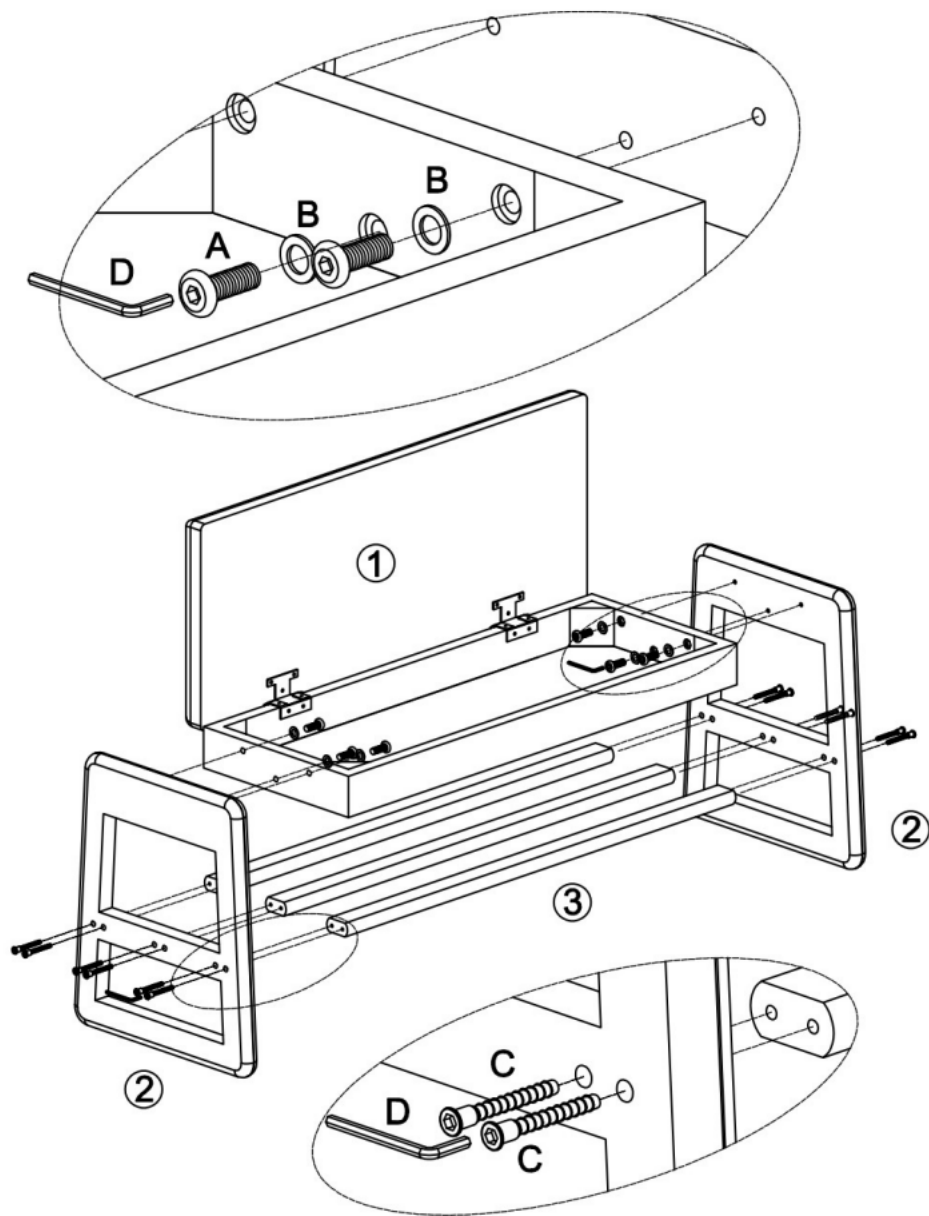


Quality inspectors

QC 02

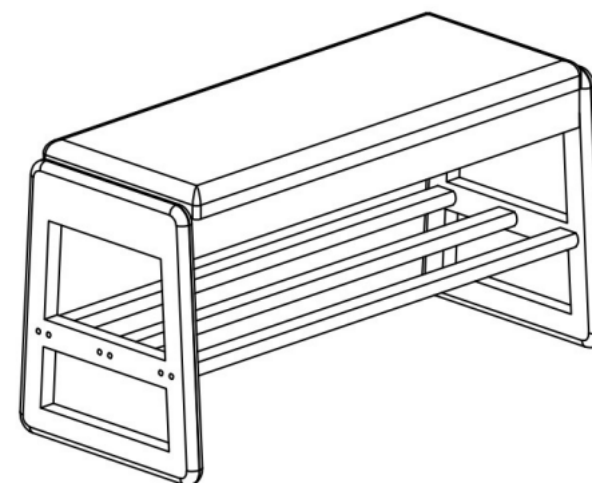
Specification name: Shoe Bench 80CM/31.5inch

Step1:



Note: After unpacking, please check the number of assembled parts as shown in the picture against the instructions first, and then assemble as shown in the picture. Connect the parts 1/2/3 with hardware A/B/C/D as shown in the picture.

Step2:



Assembly complete.