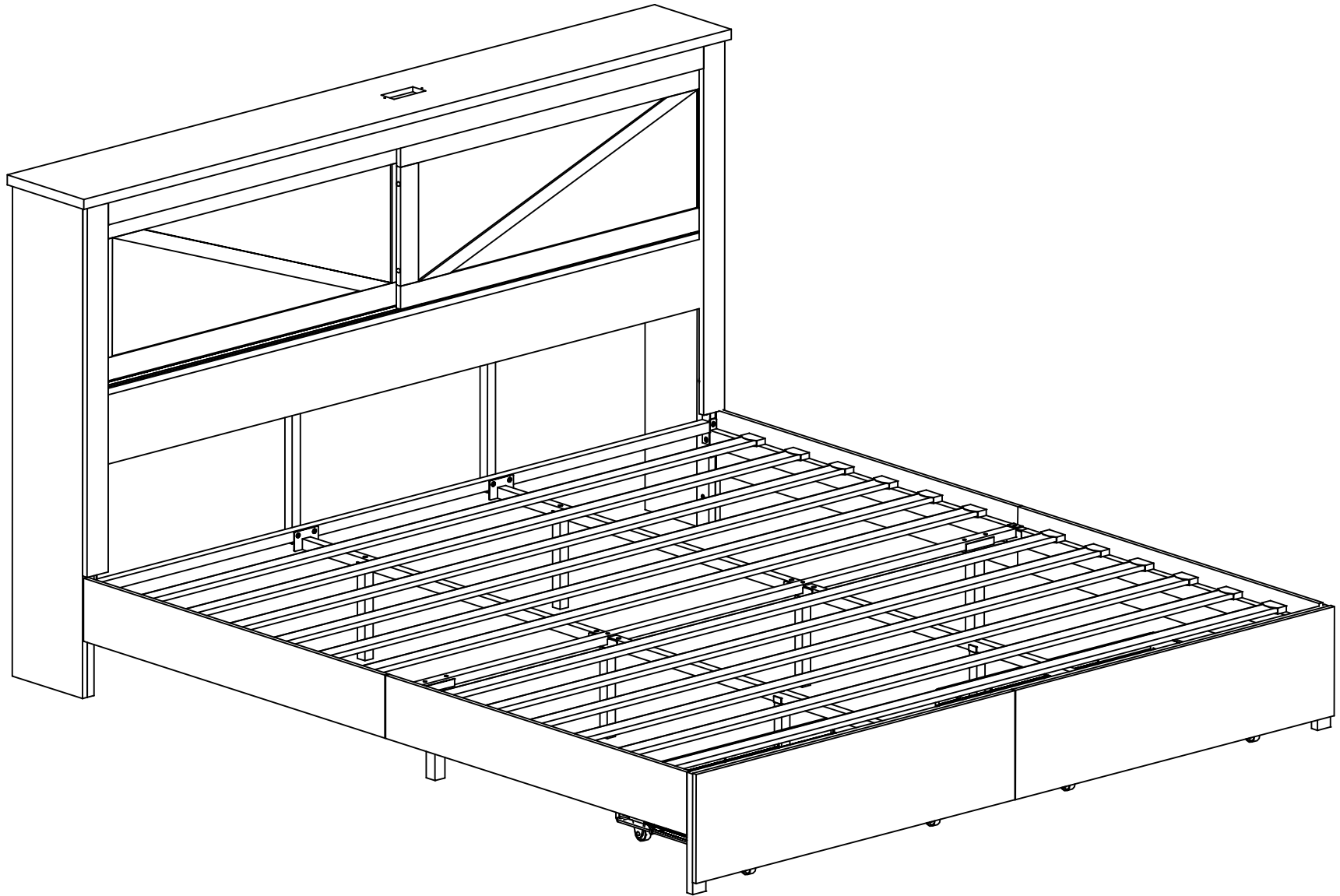
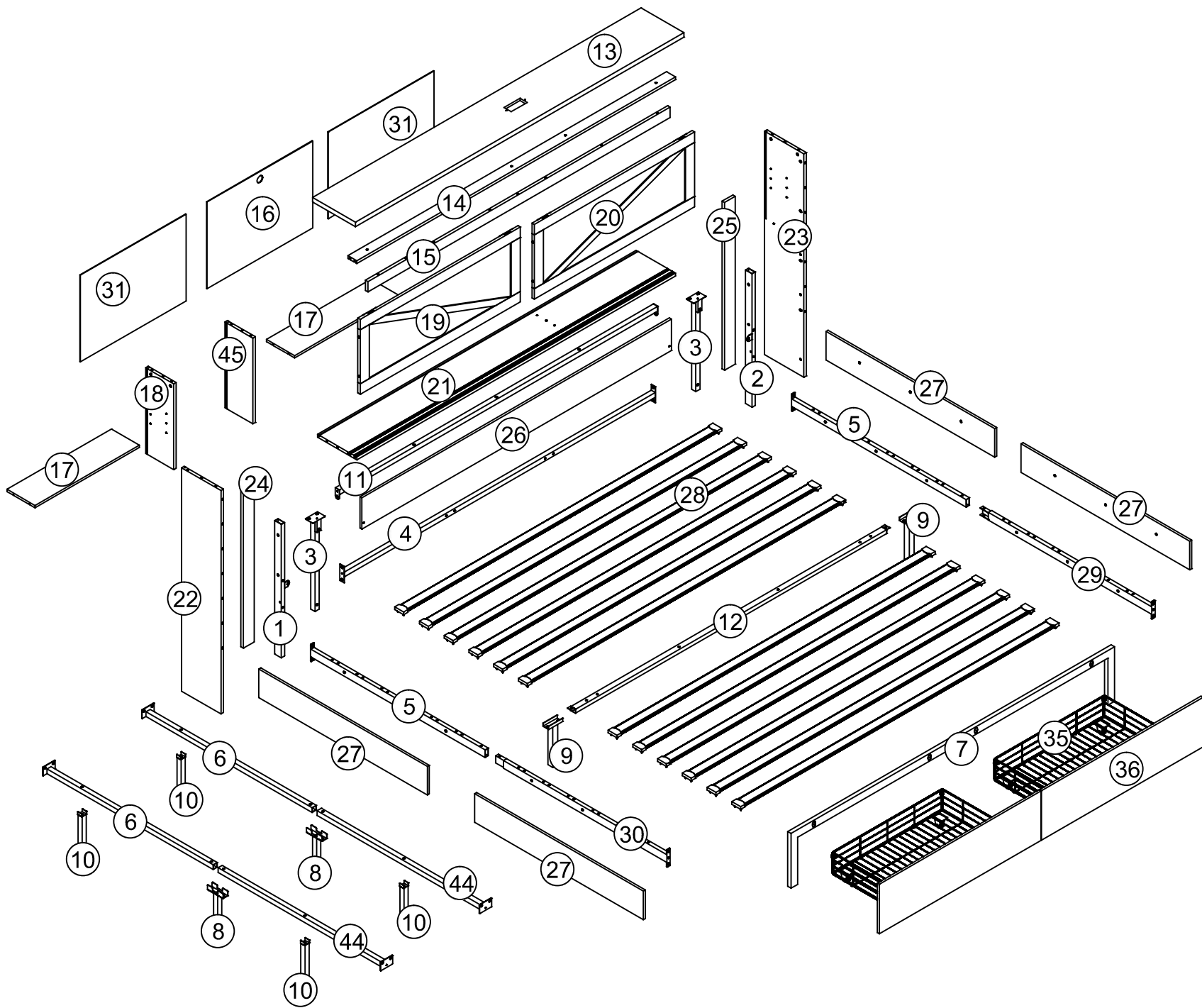




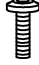
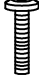
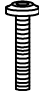

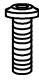
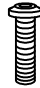
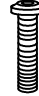
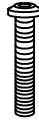





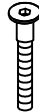
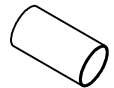

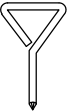
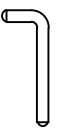
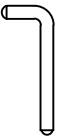
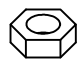

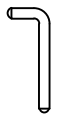
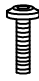
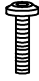


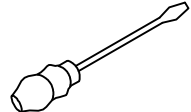

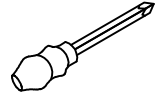
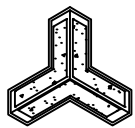
# Assembly Instruction





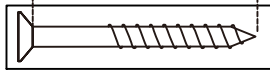
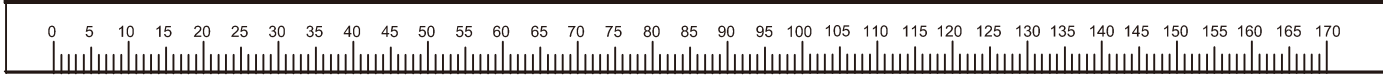
# Assembly Instruction

## Hardware parts

|   |   |   |  |  |  |   |
|---|---|---|--|--|--|---|
| <br>M6*10<br>(A) x29 | <br>M6*20<br>(B) x6    | <br>M6*28<br>(C) x13 | <br>M6*50<br>(D) x3   | <br>M6*55<br>(E) x6   | <br>M8*10<br>(F) x3 | <br>M8*20<br>(G) x24 |
| <br>M8*30<br>(H) x7  | <br>M8*35<br>(I) x15   | <br>M8*50<br>(J) x6  | <br>M3*16<br>(K) x26  | <br>(L) x26           | <br>(M) x26         | <br>(N) x17          |
| <br>(O) x9           | <br>M5*35<br>(P) x5    | <br>(Q) x5           | <br>M3*12<br>(R) x3   | <br>(S) x1            | <br>M6<br>(T) x1    | <br>M8<br>(U) x1     |
| <br>(V) x3         | <br>(W) x1           | <br>M5<br>(X) x1   | <br>M6*35<br>(Y) x4 | <br>M6*45<br>(Z) x3 | <br>(38) x26      | <br>(39) x9        |
| <br>(40) x1        | <br>M4*35<br>(41) x7 | <br>(42) x1        | <br>(43) x3         |  |  |   |

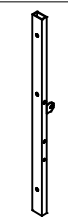
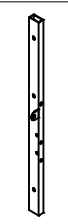
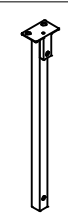
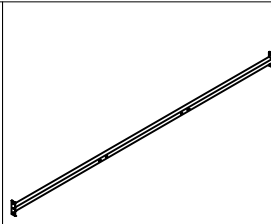
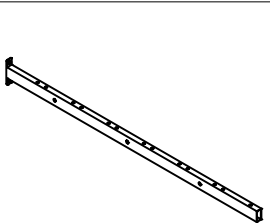
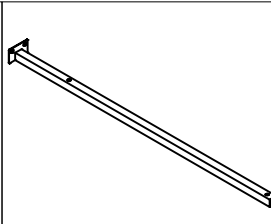
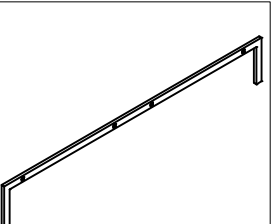



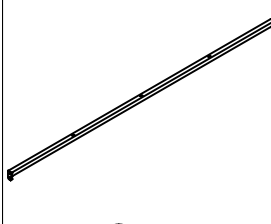
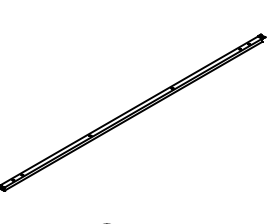
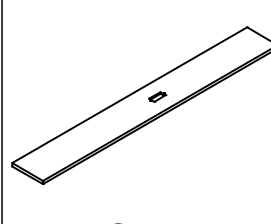
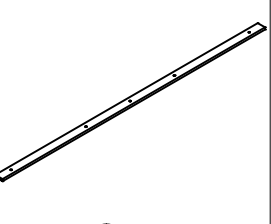
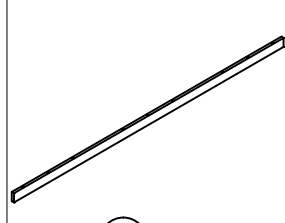
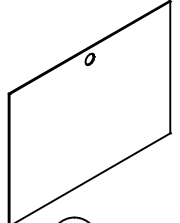
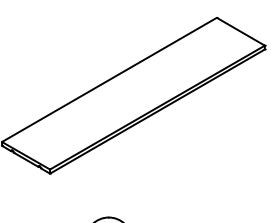
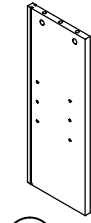
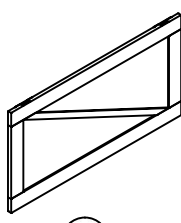
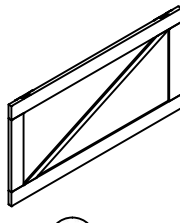
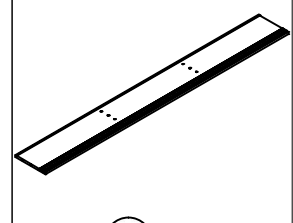
# Assembly Instruction

Ruler-Use this ruler to help correctly identify the screws.







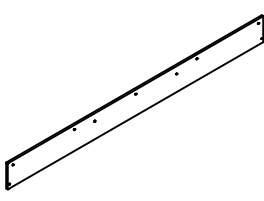
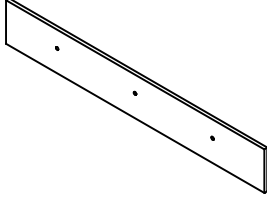
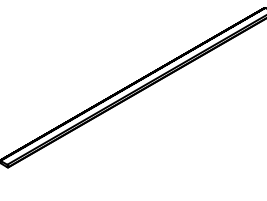
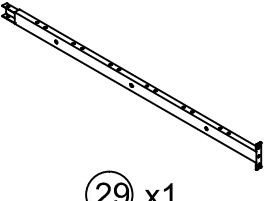
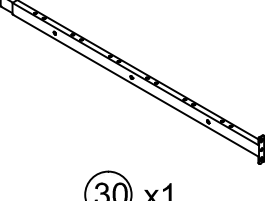
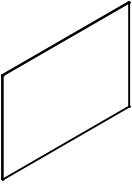
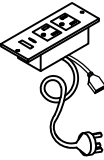

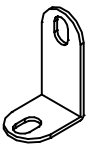
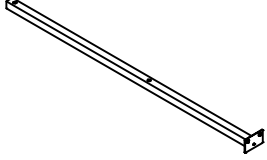
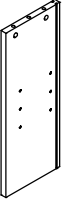
The length of the screw is measured from the rod part excluding the screw cap (30mm screw shown).

## Part list

|   |   |   |   |   |   |   |
|---|---|---|---|---|---|---|
| <br>① x1   | <br>② x1   | <br>③ x2   | <br>④ x1    | <br>⑤ x2   | <br>⑥ x2   | <br>⑦ x1   |
| <br>⑧ x2  | <br>⑨ x2  | <br>⑩ x4  | <br>⑪ x1   | <br>⑫ x1  | <br>⑬ x1  | <br>⑭ x1  |
| <br>⑮ x1 | <br>⑯ x1 | <br>⑰ x2 | <br>⑱ x1 | <br>⑲ x1 | <br>⑳ x1 | <br>㉑ x1 |

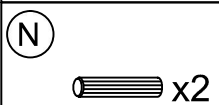
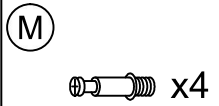
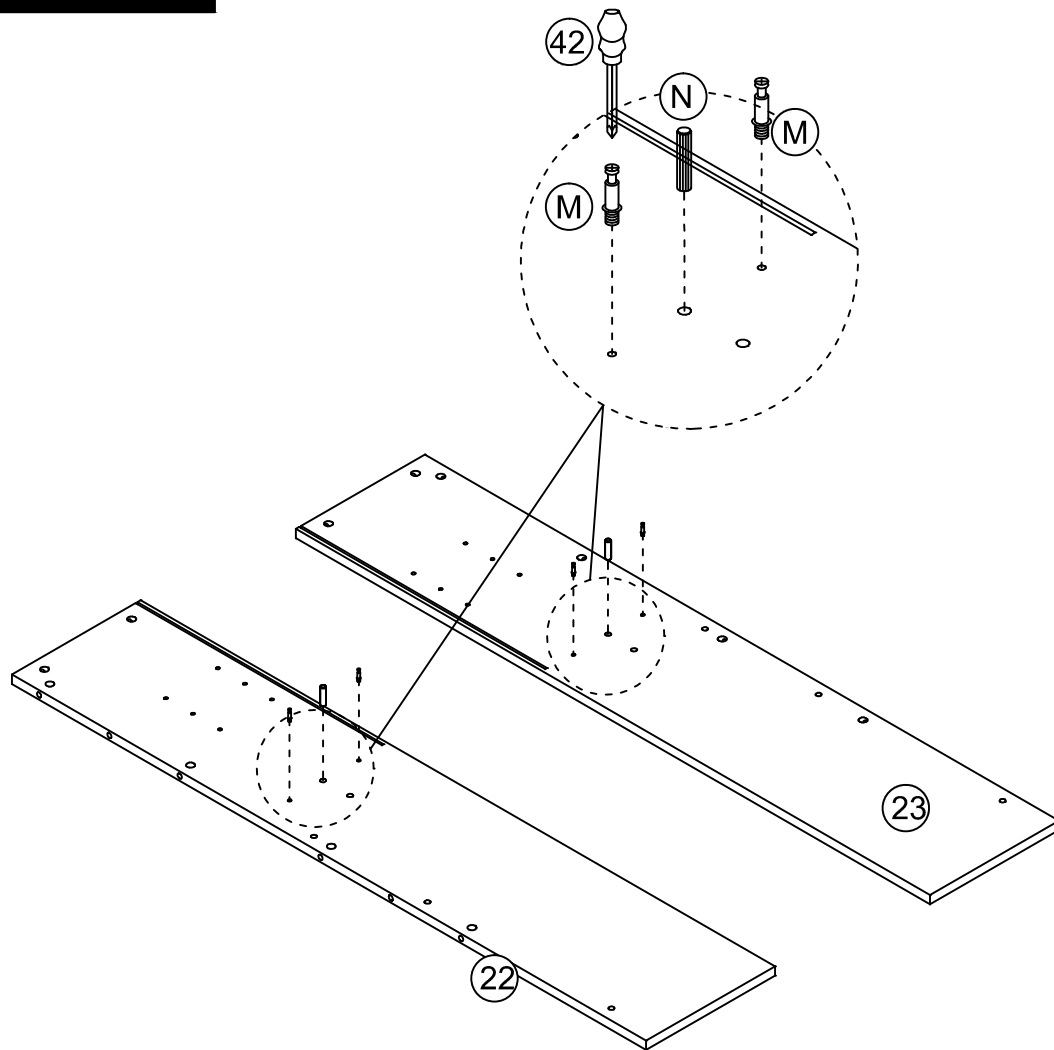
# Assembly Instruction

## Part list

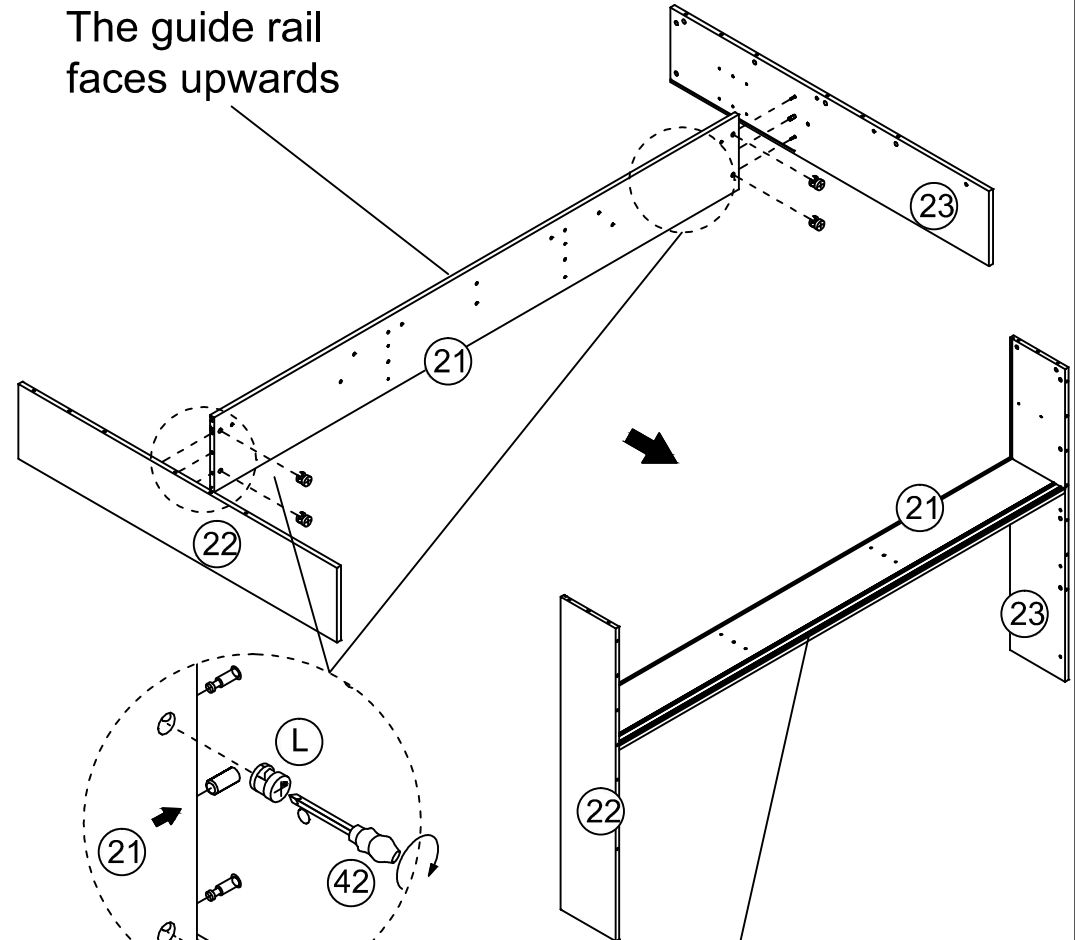
|  |  |  |  |   |  |   |
|--|--|--|--|---|--|---|
| <br>②② x1 | <br>②③ x1 | <br>②④ x1 | <br>②⑤ x1 | <br>②⑥ x1  | <br>②⑦ x4 | <br>②⑧ x12 |
| <br>②⑨ x1 | <br>③⑩ x1 | <br>③① x2 | <br>③② x1 | <br>③③ x24 | <br>③④ x5 | <br>④④ x2  |
| <br>④⑤ x1 |  |  |  |   |  |   |

# Assembly Instruction

## Step 1



## Step 2



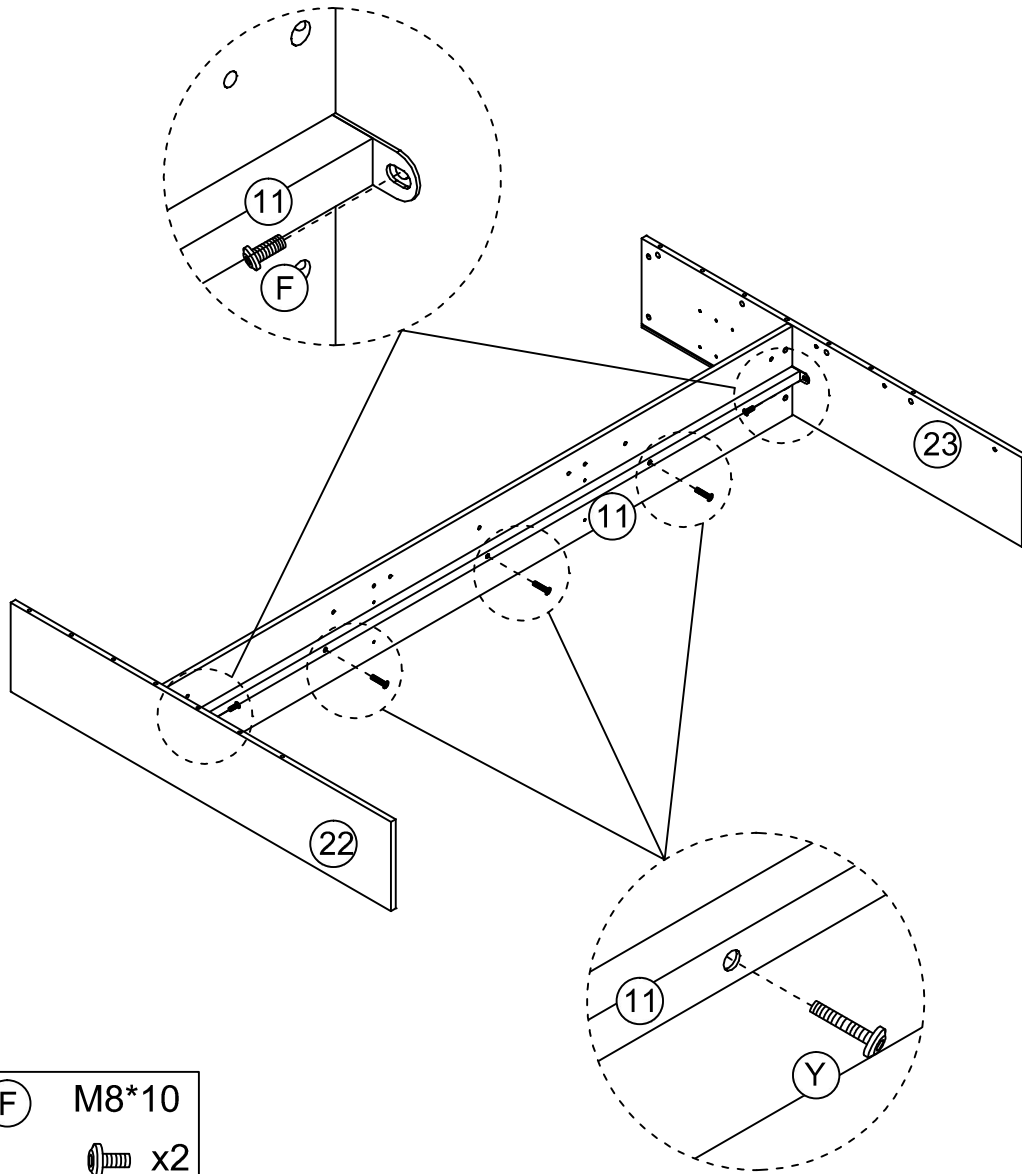
The guide rail faces upwards


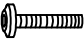


As shown in the diagram, after installation, pay attention to the position distribution of the grooves on part 21

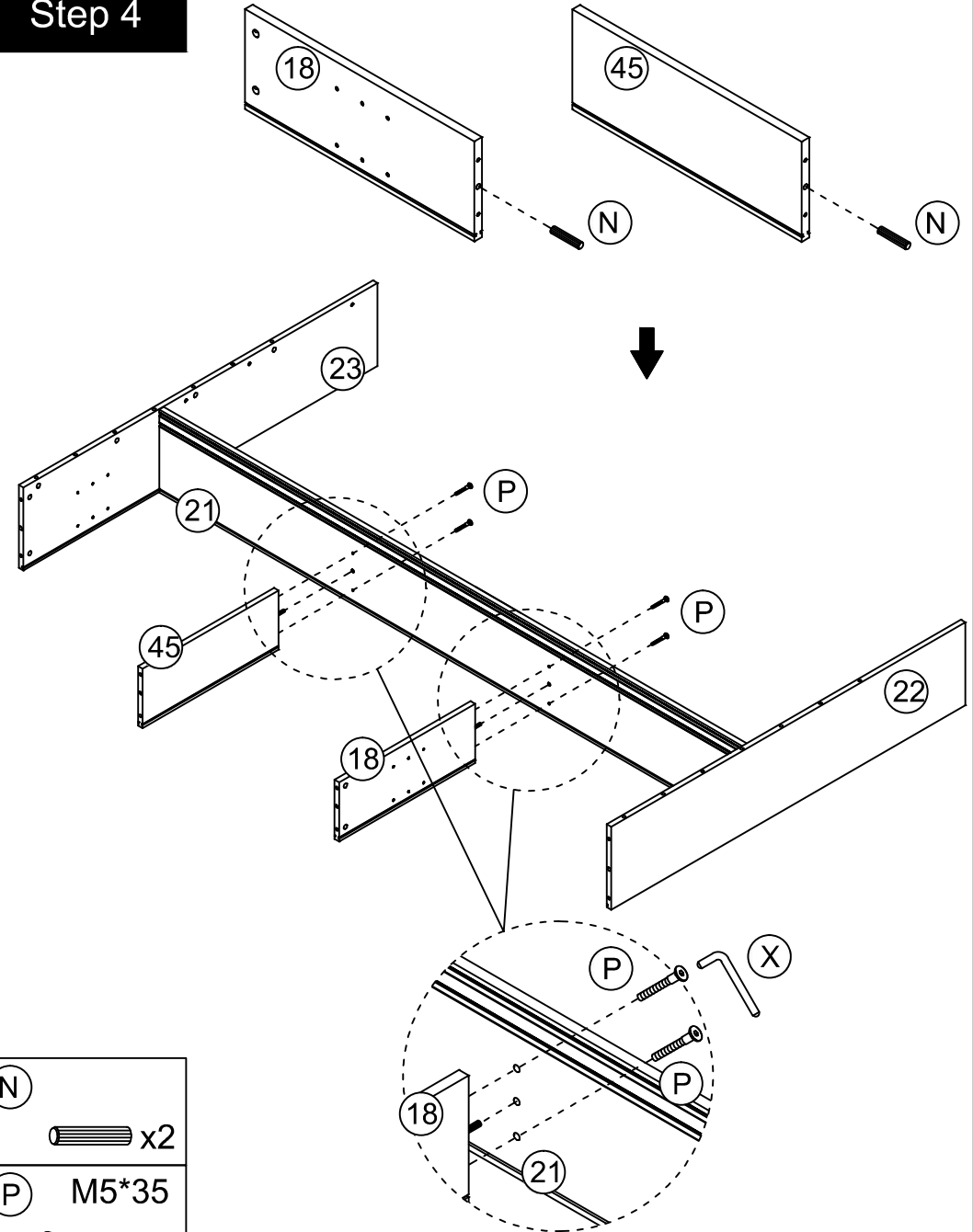
# Assembly Instruction


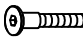
## Step 3



- |     |  |
|-----|--|
| (F) | M8*10  |
|     |  x2 |
| (Y) | M6*35  |
|     |  x3 |

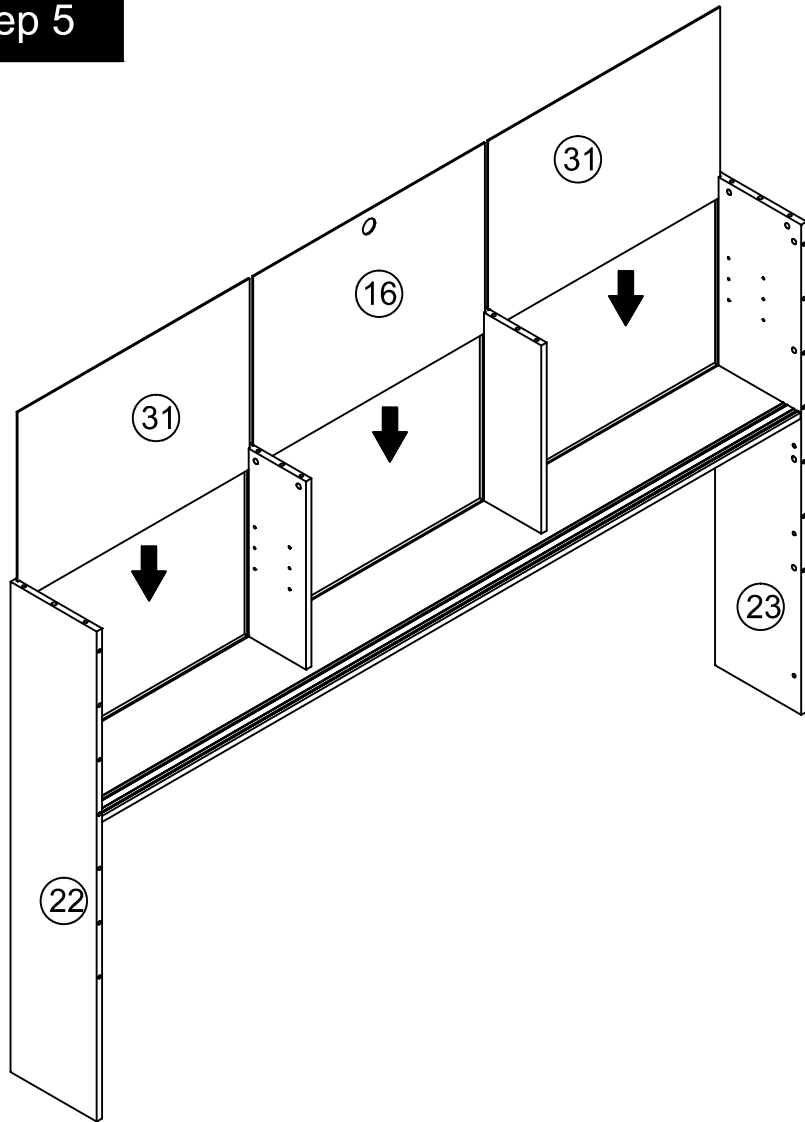
## Step 4



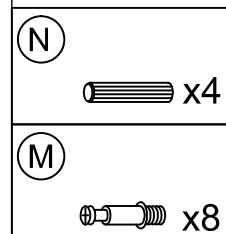
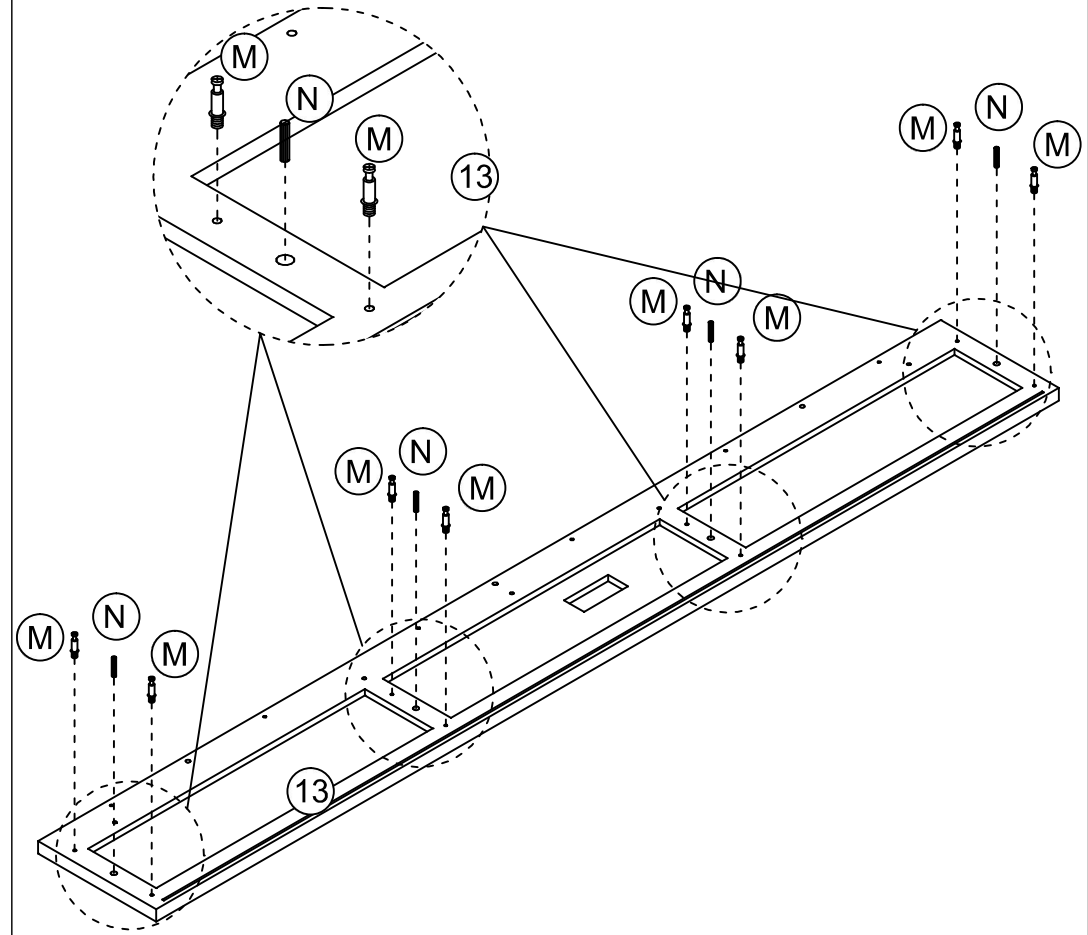
- |     |  |
|-----|--|
| (N) |  x2 |
| (P) | M5*35  |
|     |  x4 |

# Assembly Instruction

Step 5

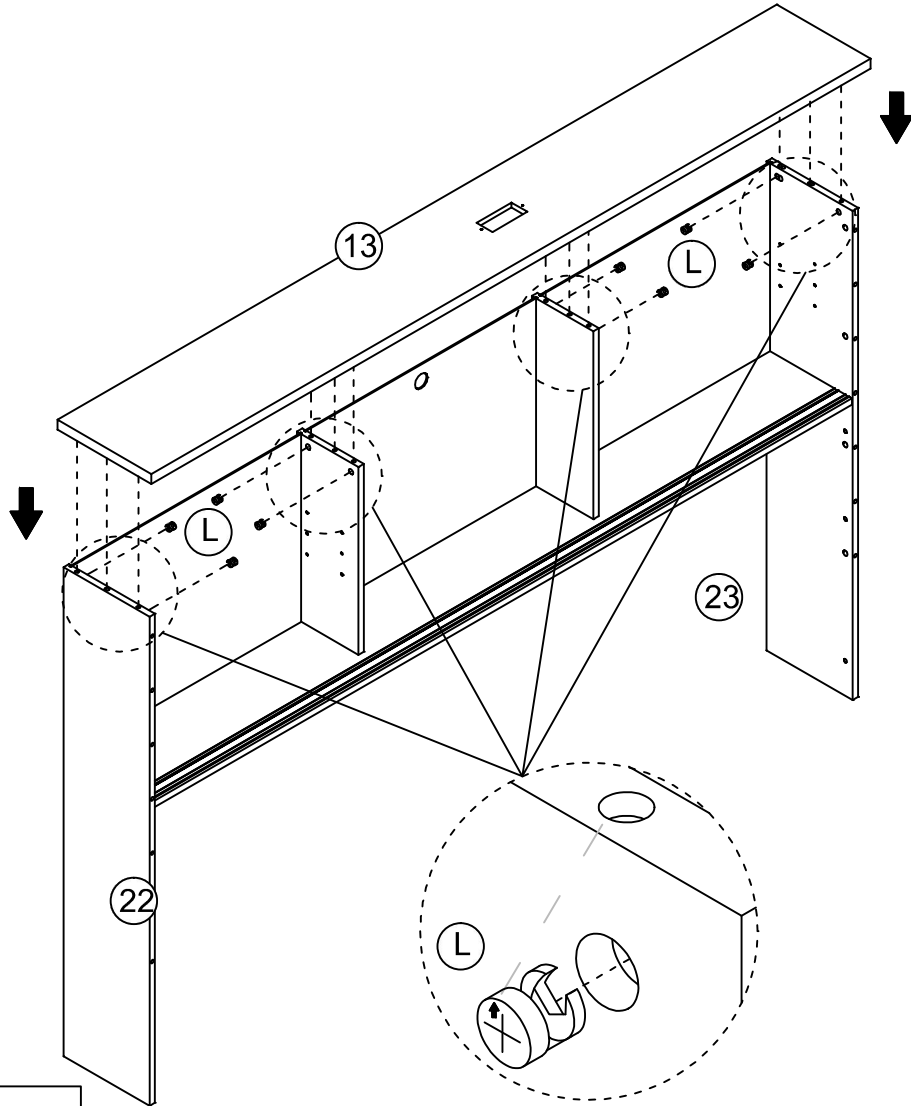
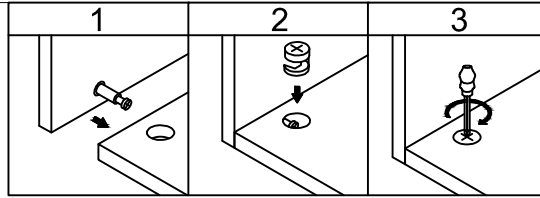


Step 6



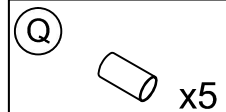
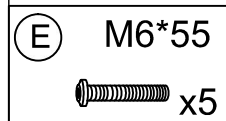
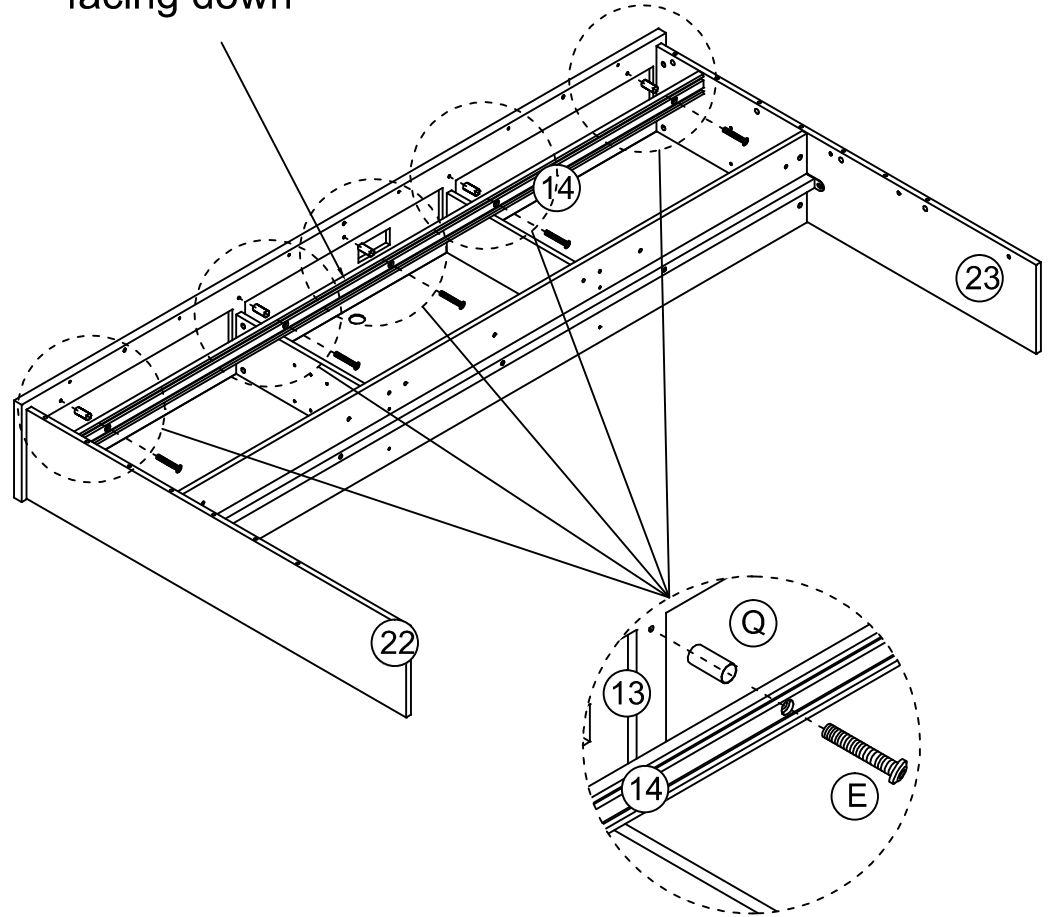
# Assembly Instruction

Step 7



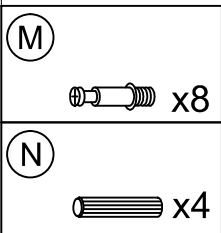
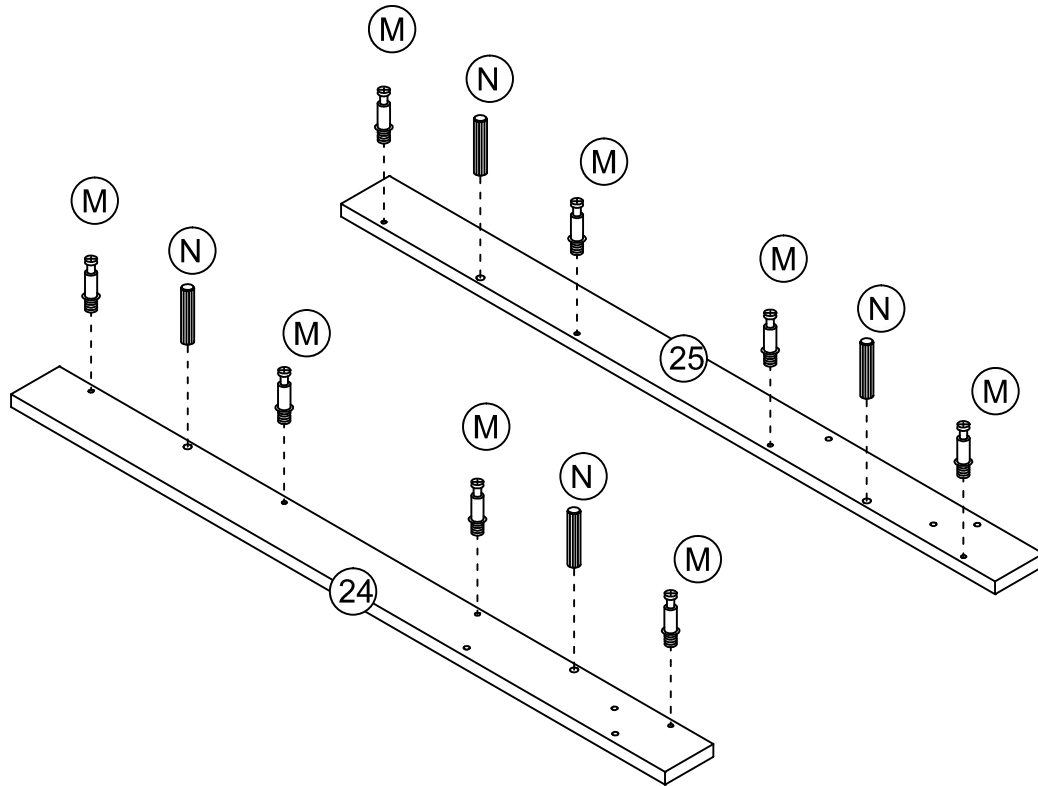
Step 8

Note that after installation, the groove on part 14 is facing down

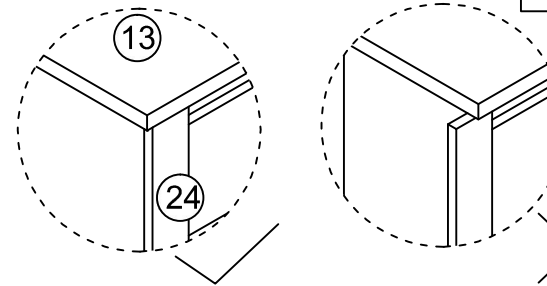


# Assembly Instruction

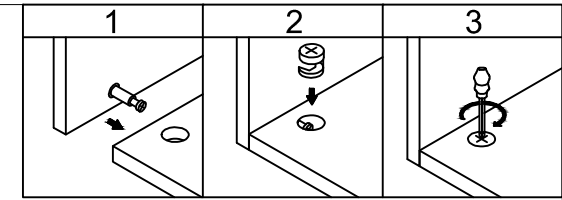
## Step 9



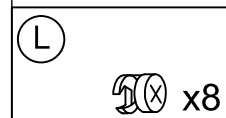
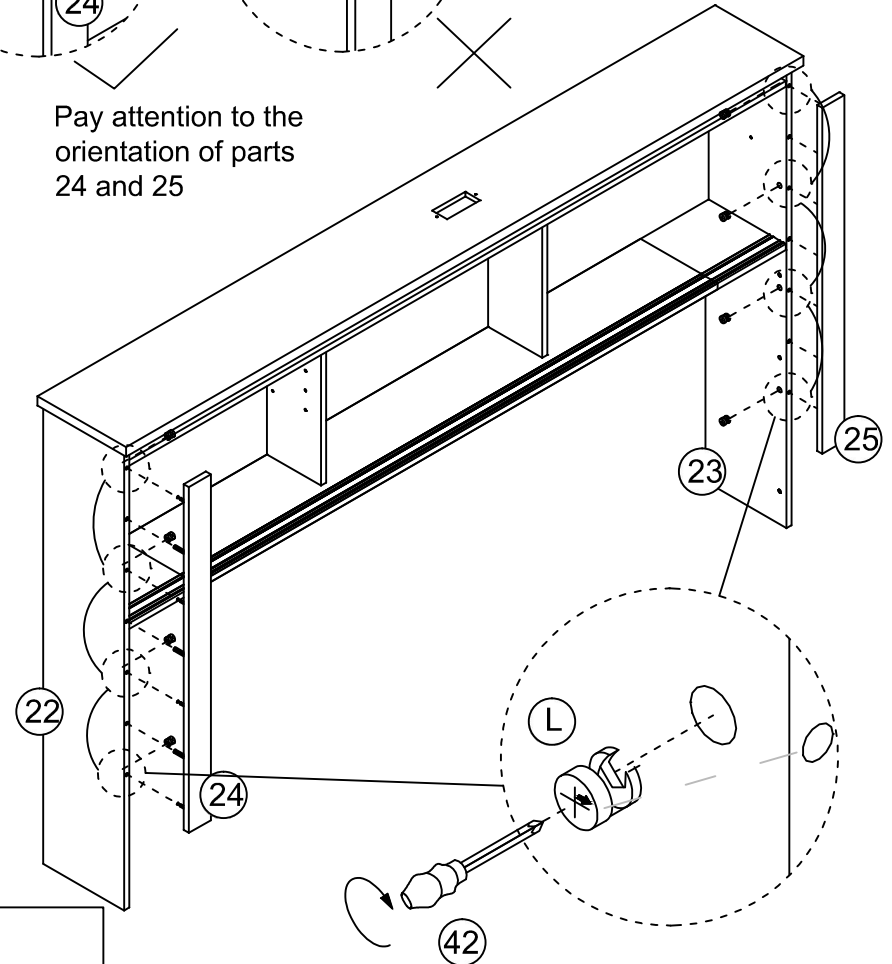
## Step 10



Pay attention to the orientation of parts 24 and 25

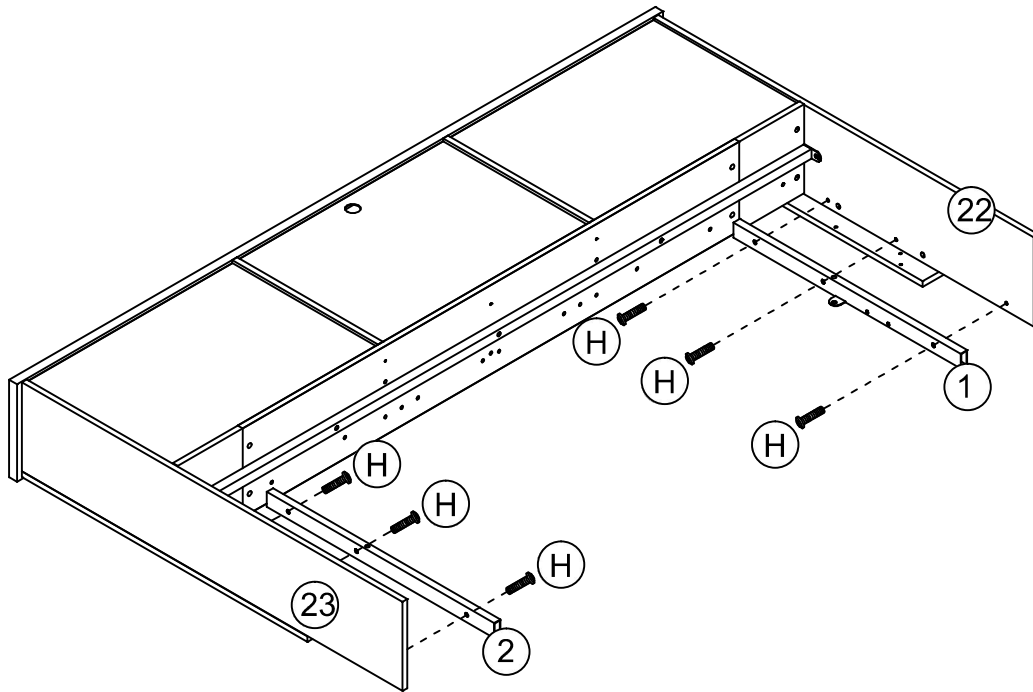


Note that during the installation process, the direction of the arrow labels on parts 24 and 25 must match the direction of the arrows shown in the diagram

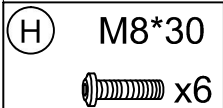


# Assembly Instruction

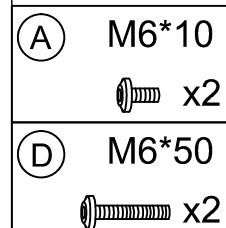
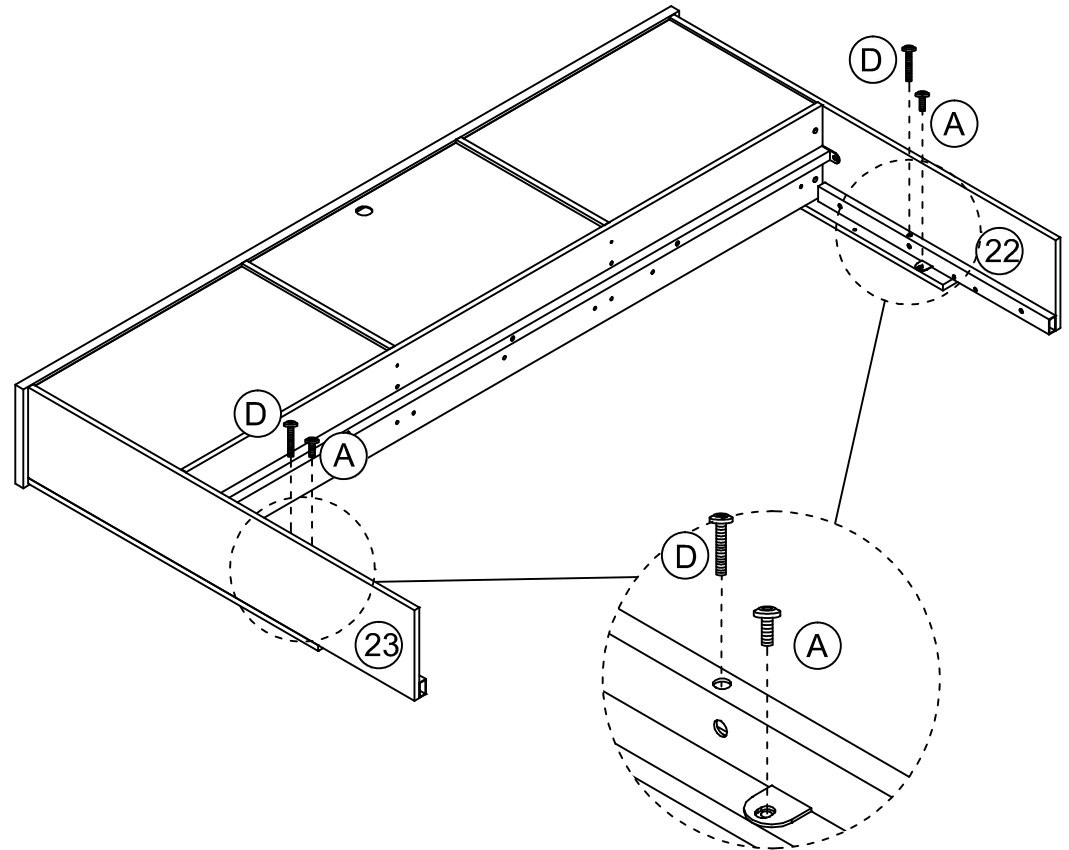
## Step 11



Do not tighten screw H

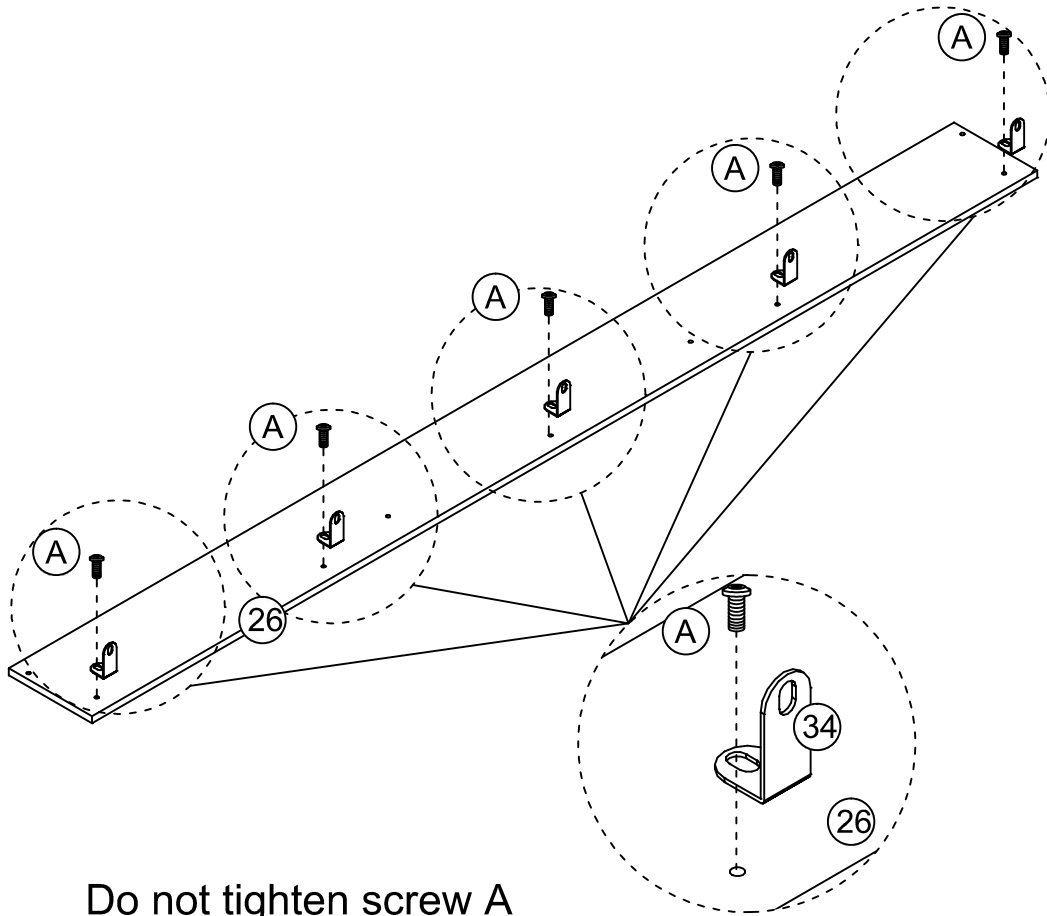


## Step 12



# Assembly Instruction

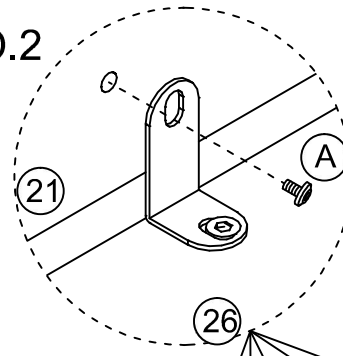
## Step 13



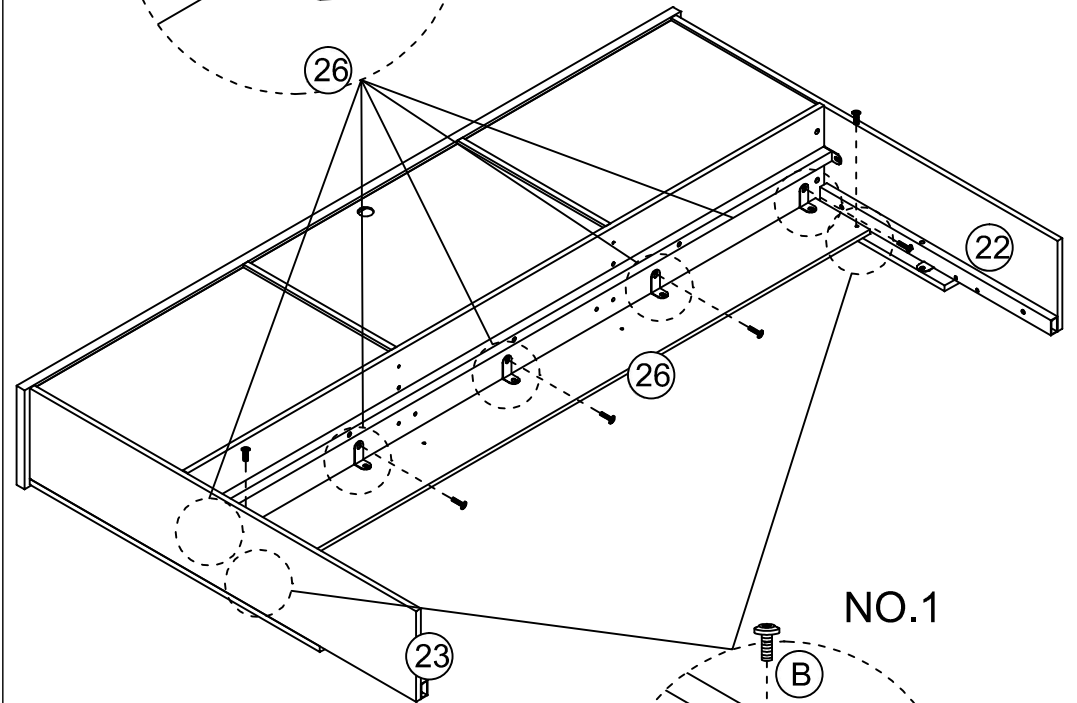
|     |  |
|-----|--|
| (A) | M6*10  |
|     |  x5 |

## Step 14

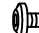

NO.2



Tighten all screws, including screw A that was not tightened in step 13



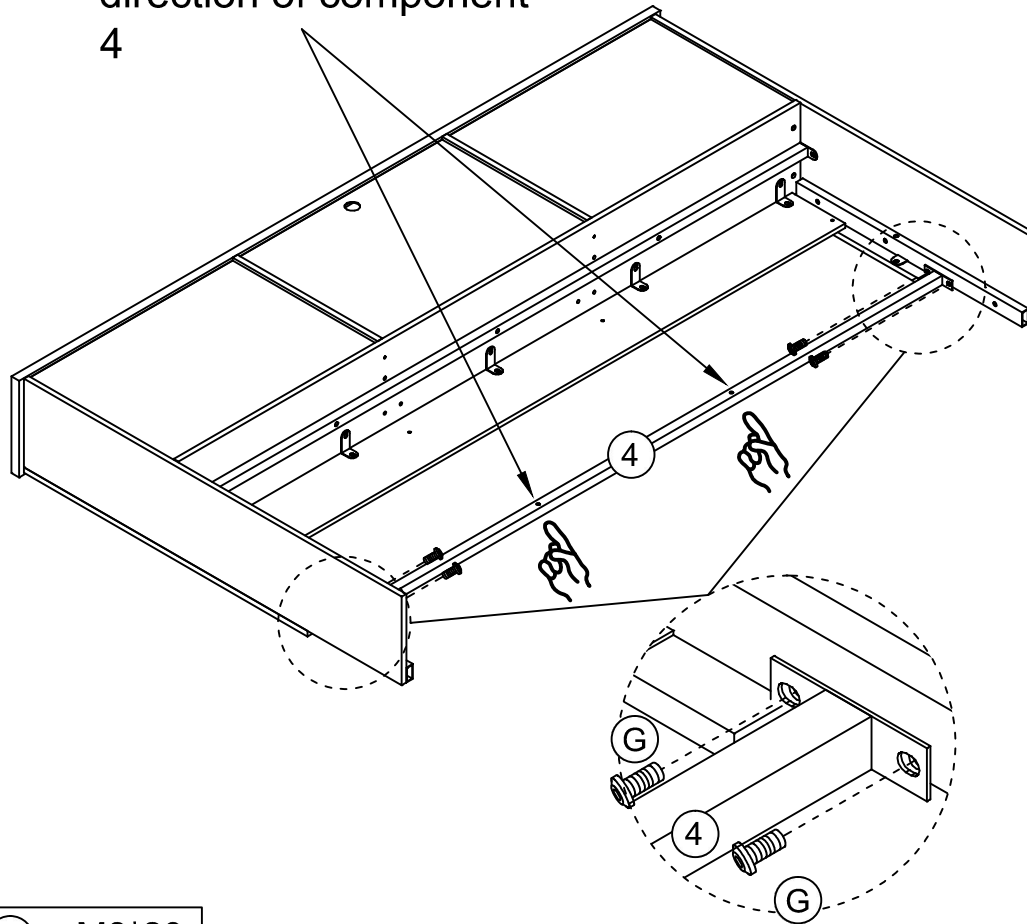
NO.1

|     |  |
|-----|--|
| (A) | M6*10  |
|     |  x5 |
| (B) | M6*20  |
|     |  x2 |

# Assembly Instruction

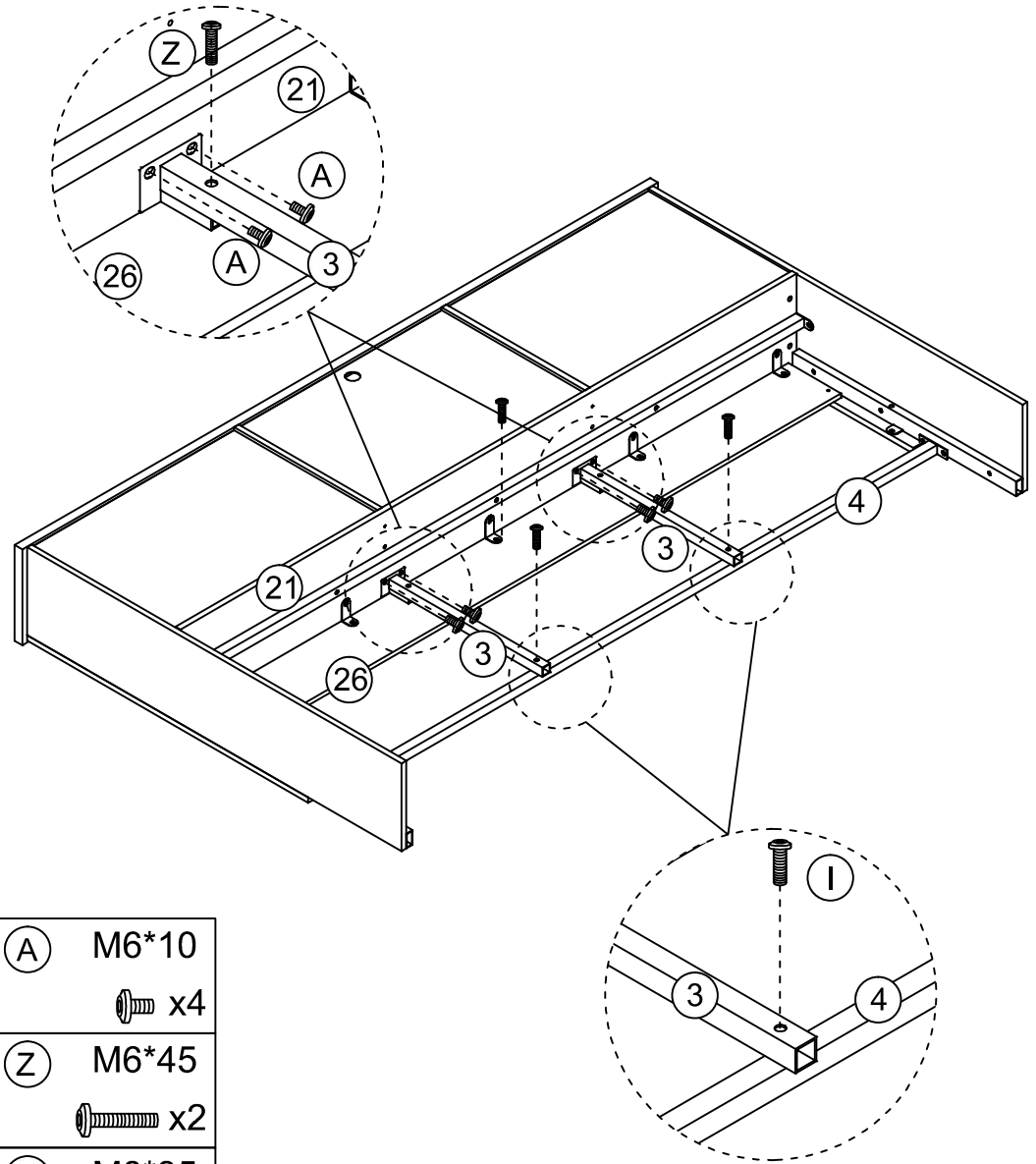
## Step 15

Pay attention to the direction of component 4



(G) M8\*20  
x4

## Step 16



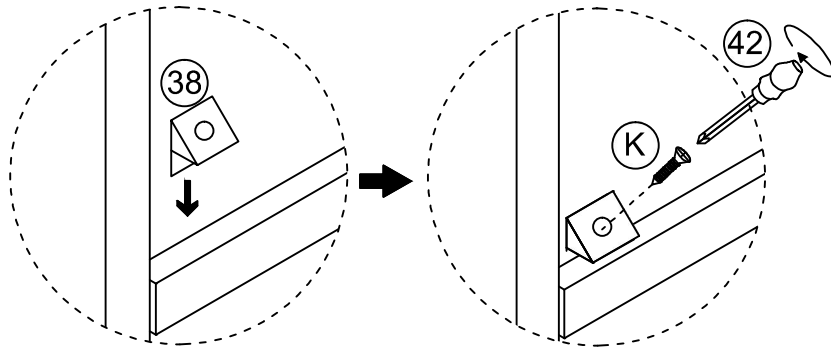
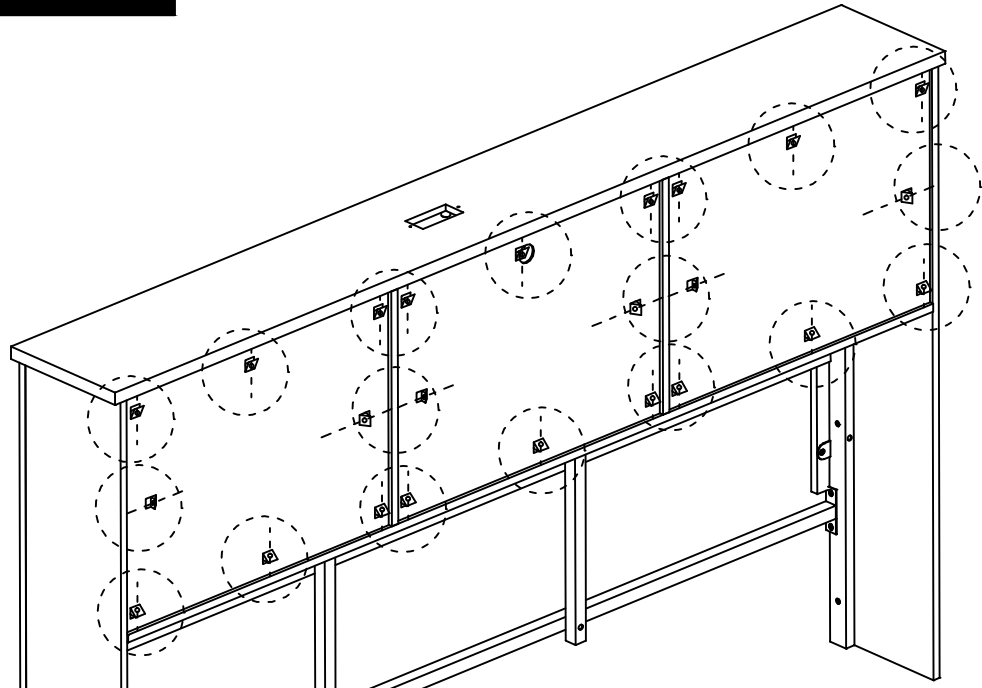
(A) M6\*10  
x4

(Z) M6\*45  
x2

(I) M8\*35  
x2

# Assembly Instruction

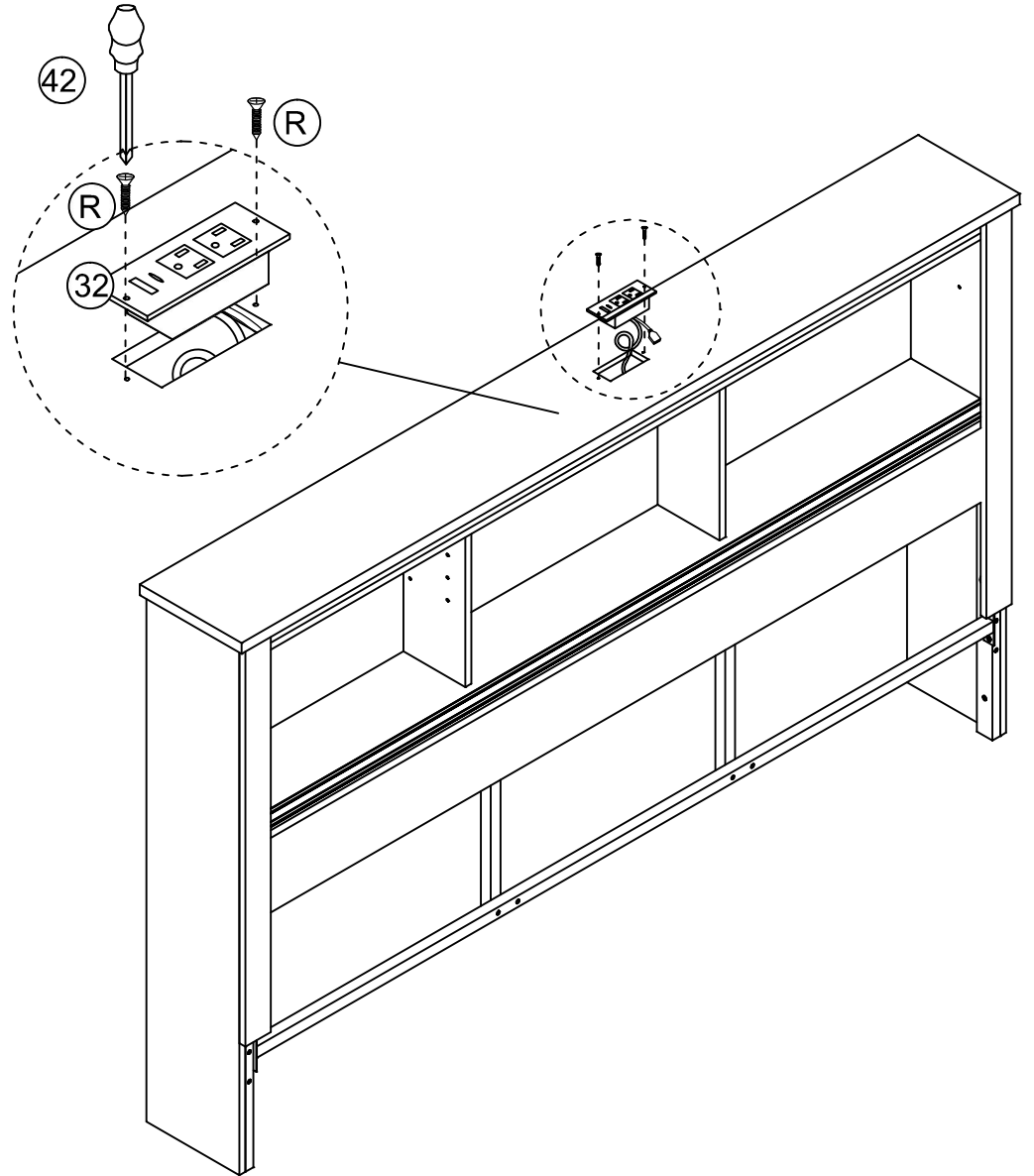
## Step 17



(K) M3\*16  
x24

(38) x24

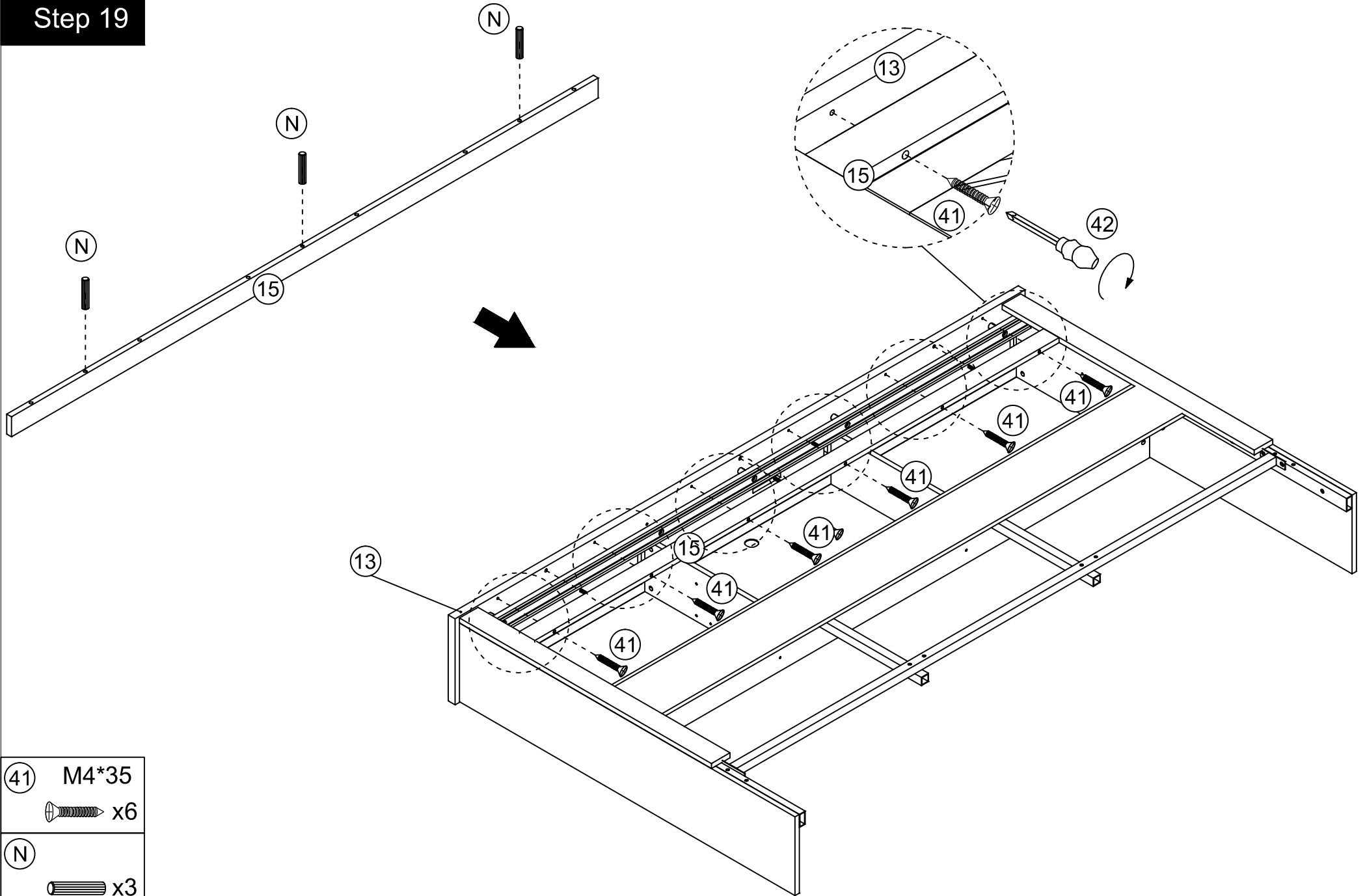
## Step 18




(R) M3\*12  
x2

# Assembly Instruction

Step 19

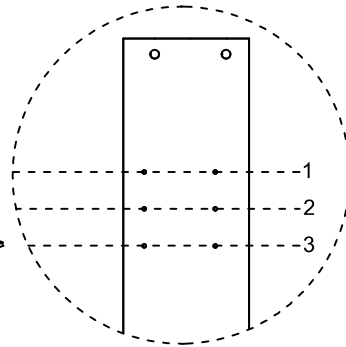
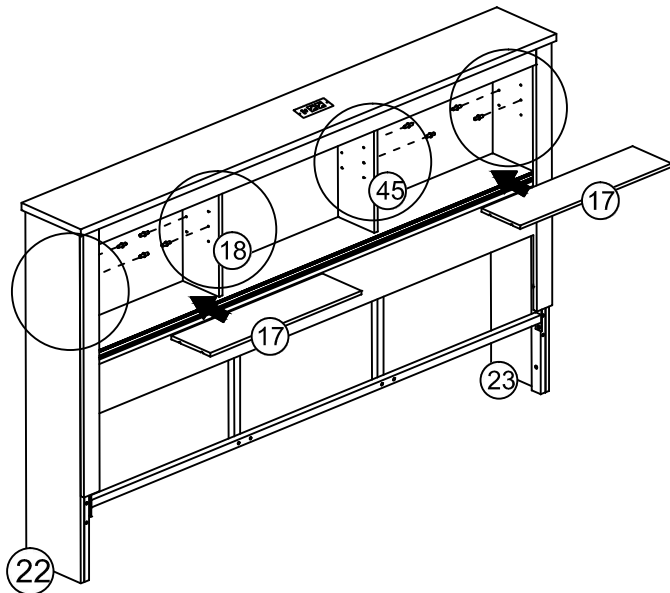


(41) M4\*35  
 x6

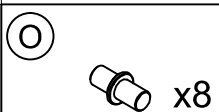
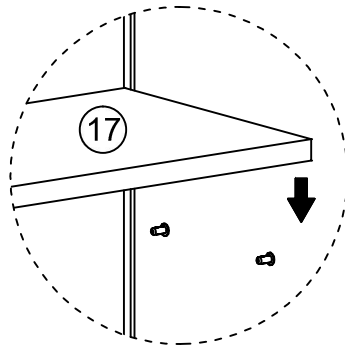
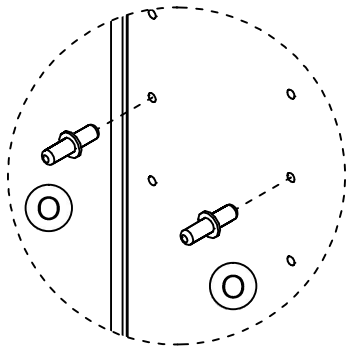
(N)  
 x3

# Assembly Instruction

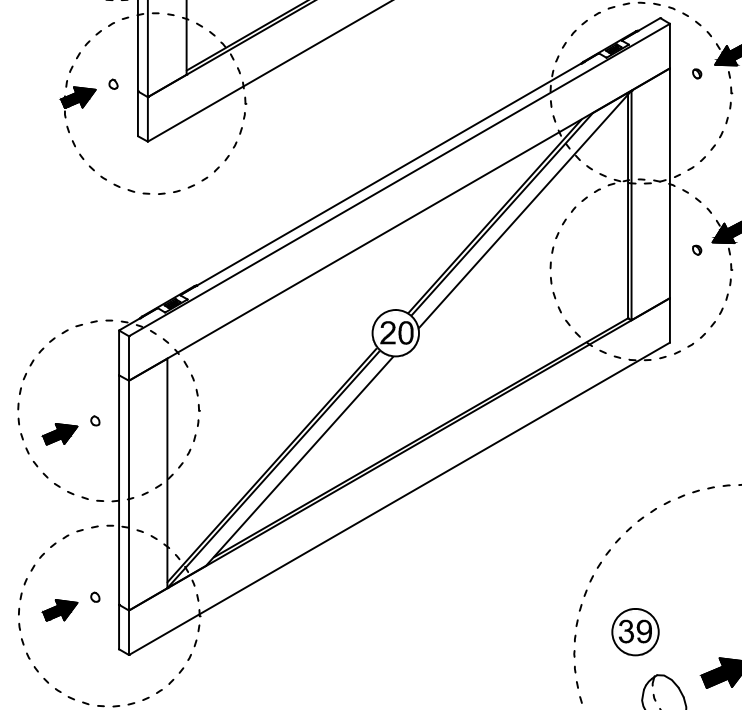
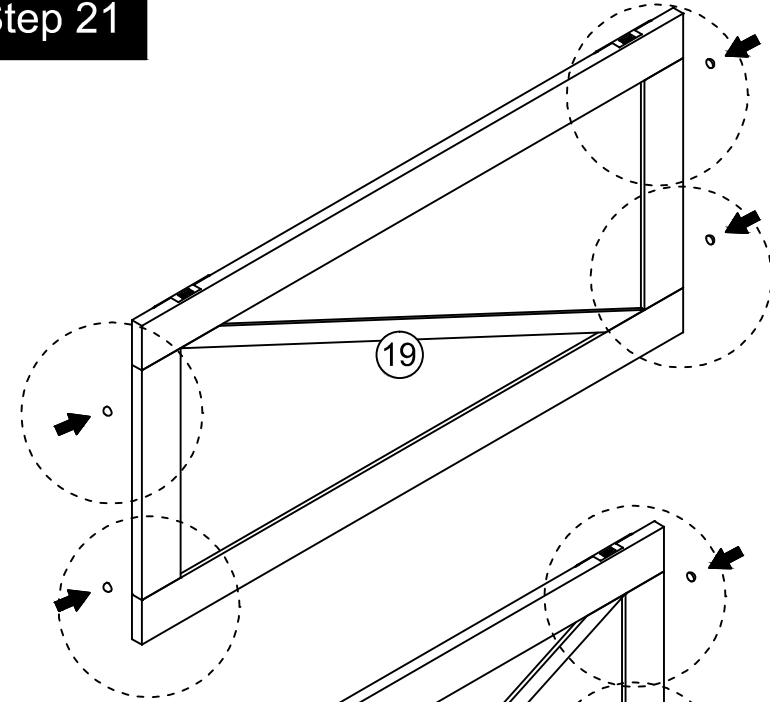
## Step 20



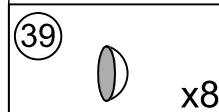
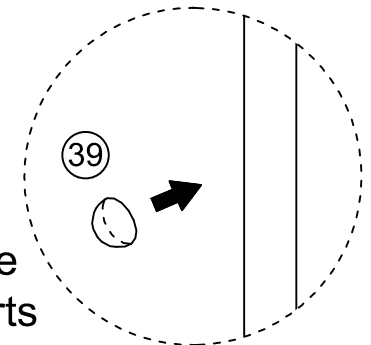
Choose one of the positions on (22) or (23) to correspond with the position on (18) and install part (17)



## Step 21

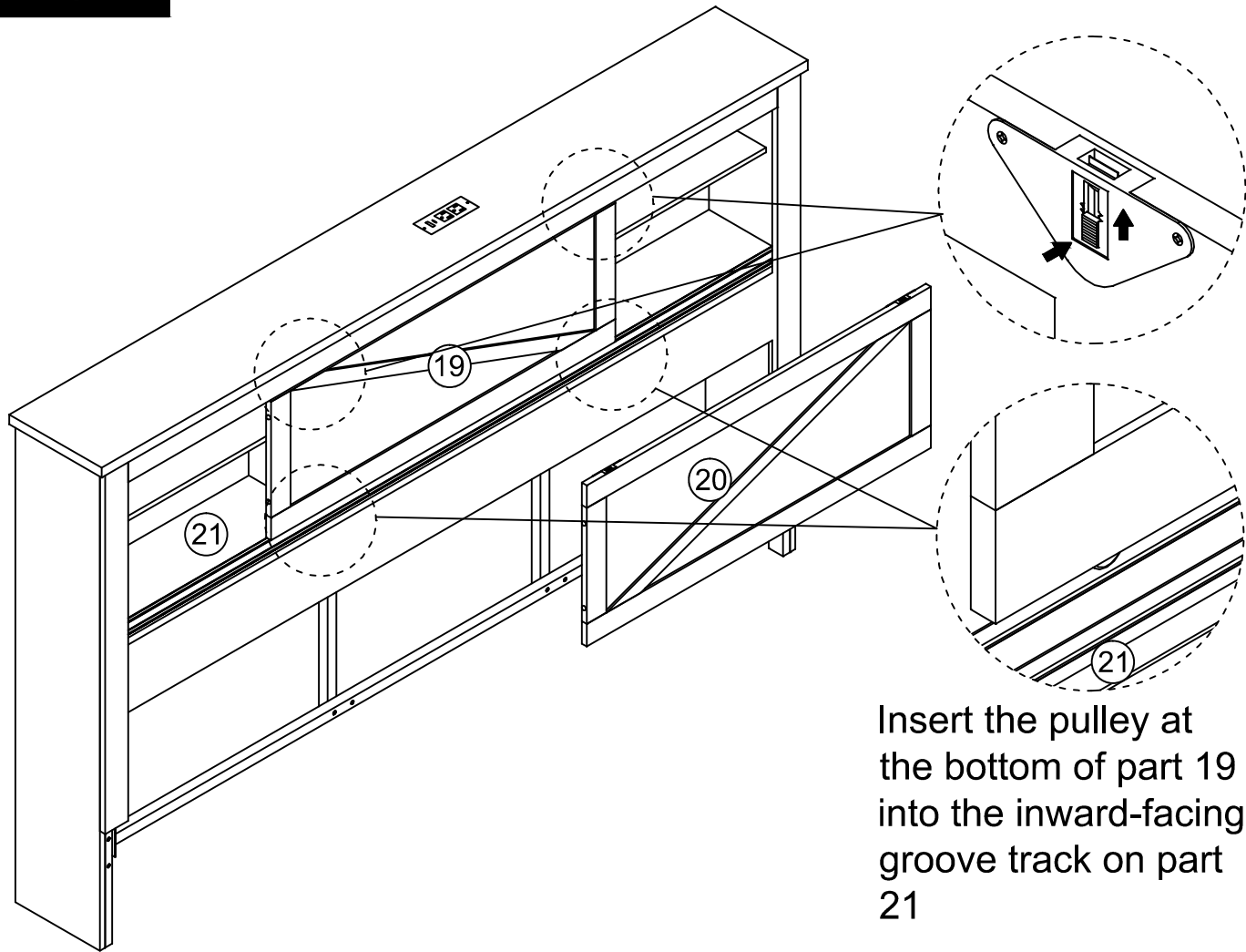


Attach part 39 to the side surfaces of parts 19 and 20



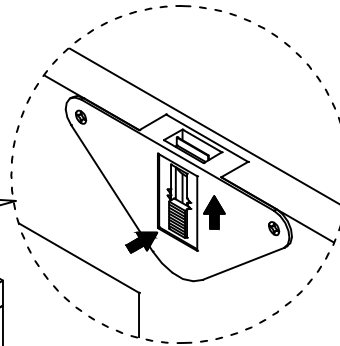
# Assembly Instruction

## Step 22

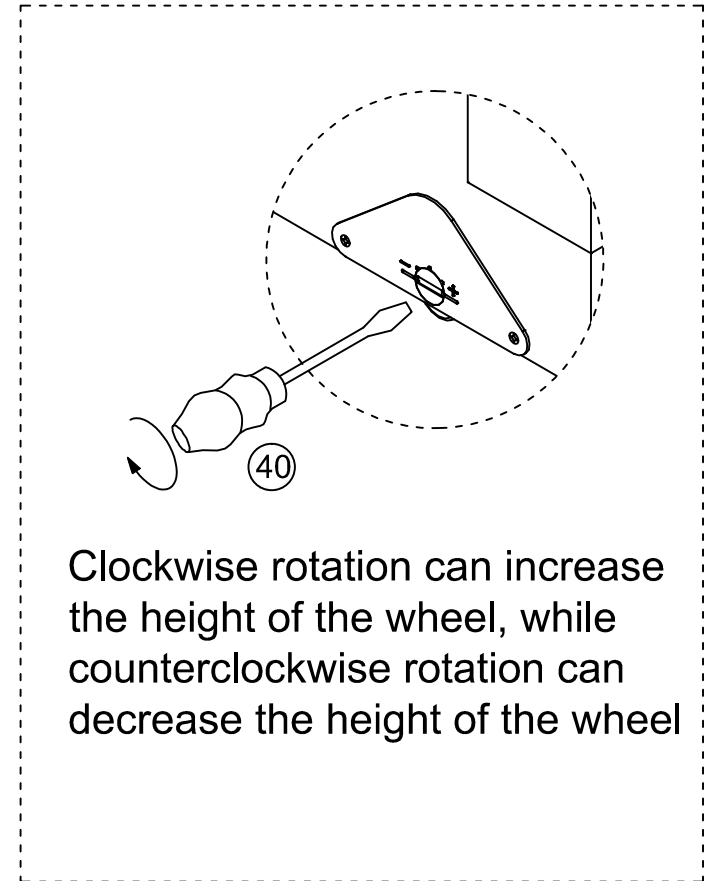
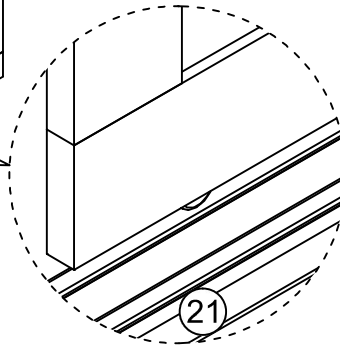


Insert the pulley at the bottom of part 19 into the inward-facing groove track on part 21

Similarly, insert the buckle at the top of part 20 and the pulley at the bottom of part 20 into the outward-facing groove tracks on parts 14 and 21, respectively



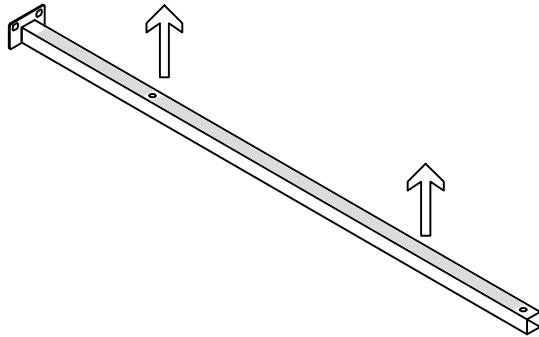
Press and push the button upward, allowing the buckle at the top of part 19 to insert into the inward-facing groove track on part 14



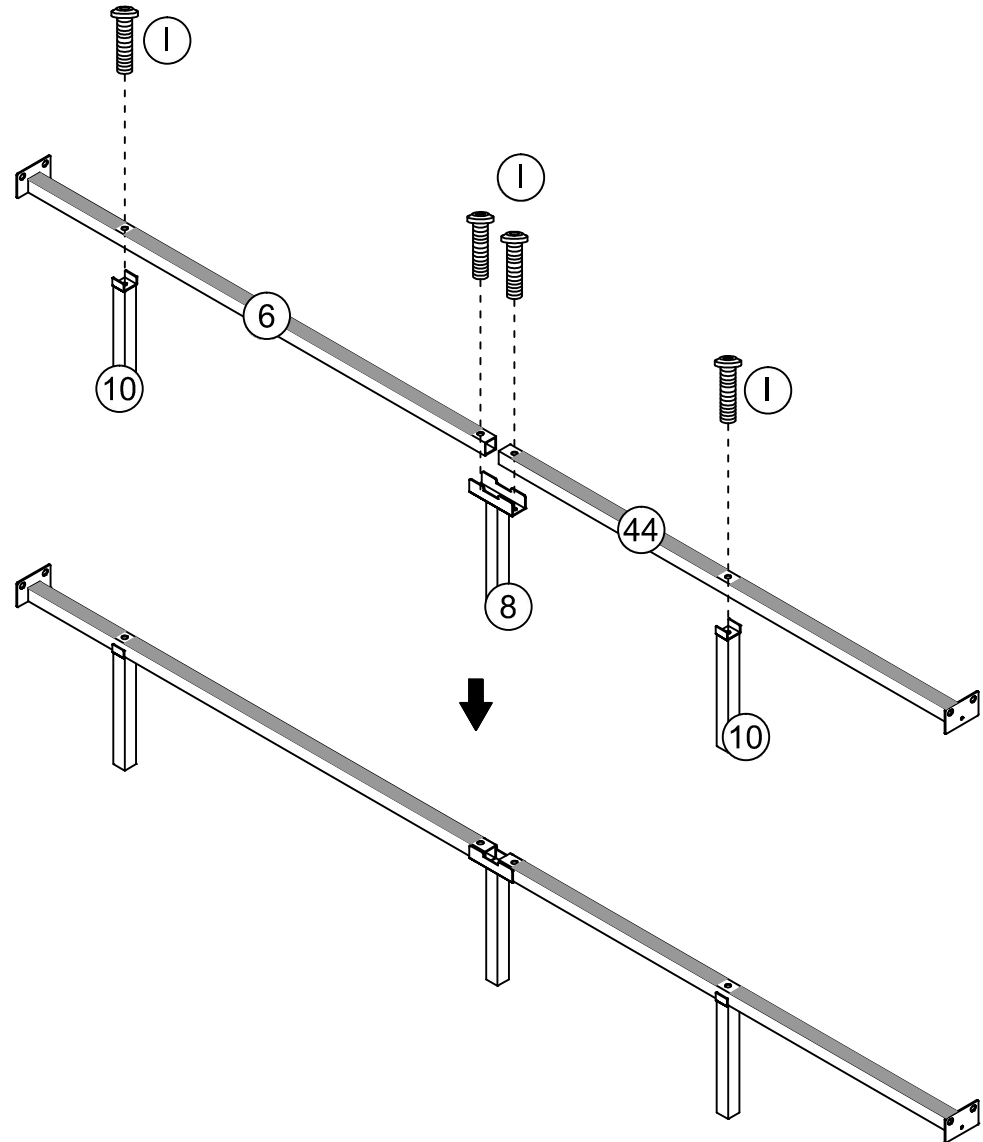
Clockwise rotation can increase the height of the wheel, while counterclockwise rotation can decrease the height of the wheel

# Assembly Instruction

## Step 23



Please be sure to pay attention to the fact that there are mute stickers facing upwards during assembly, and the material feels soft to the touch

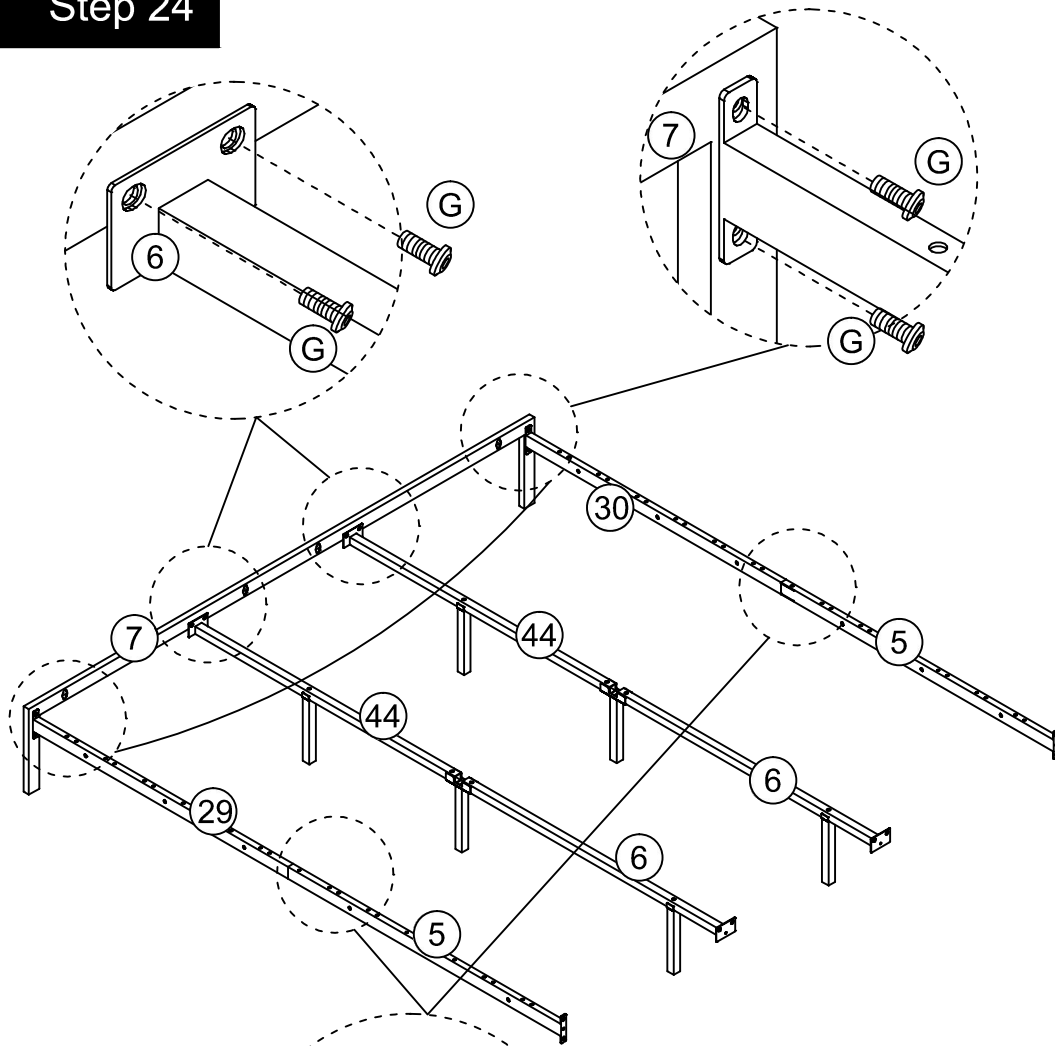


x2

① M8\*35  
 x8

# Assembly Instruction

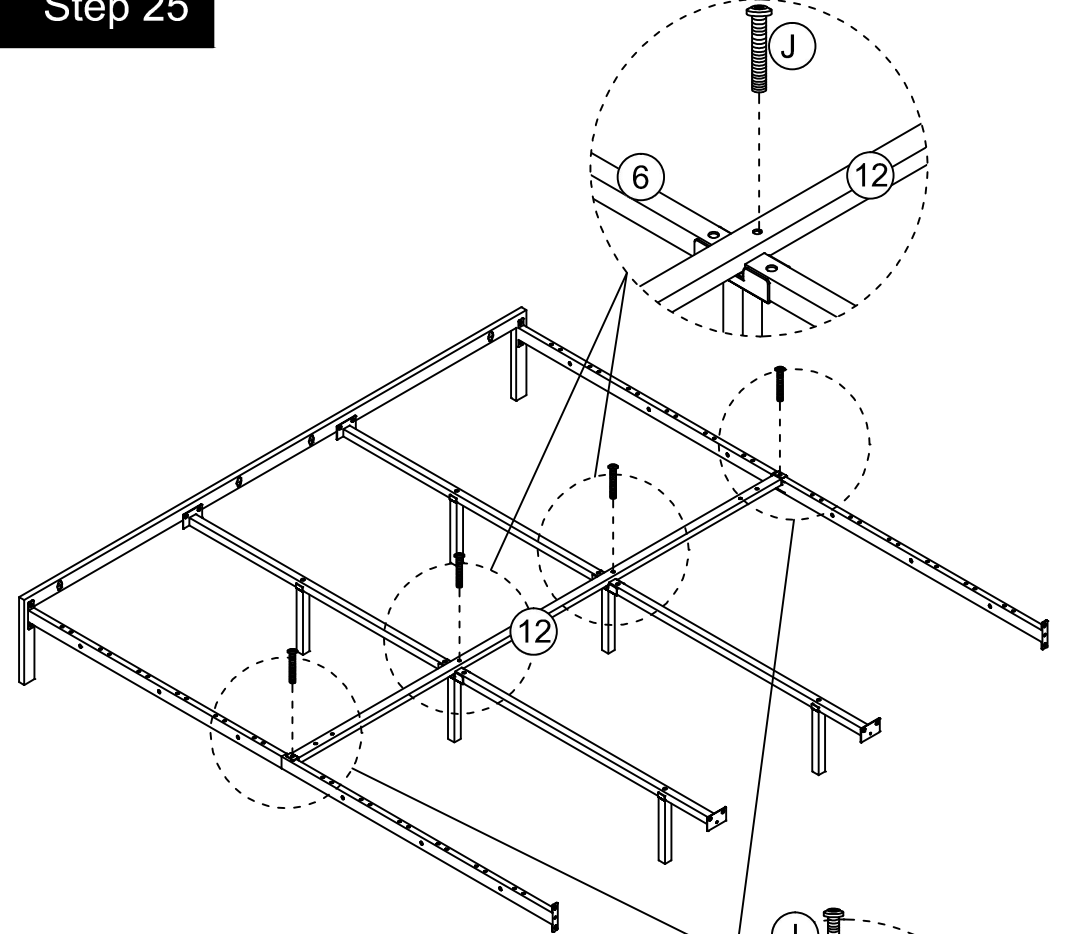
## Step 24





**Component 44 is located near the bed tail, while component 6 is located near the bedhead**

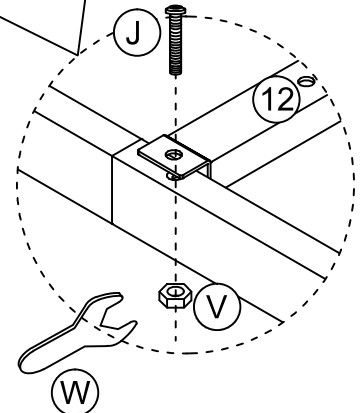
**G** M8\*20  
 x8

## Step 25



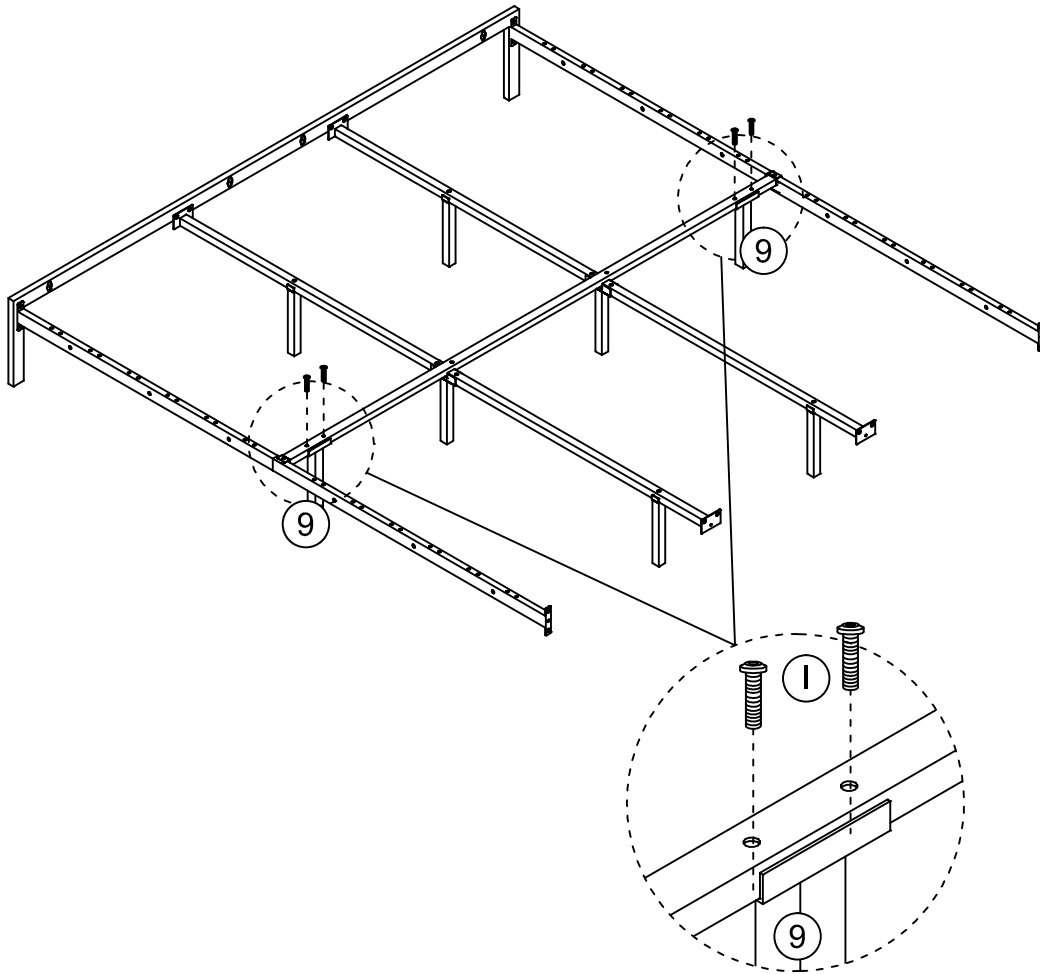
**J** M8\*50  
 x4

**V**  
 x2



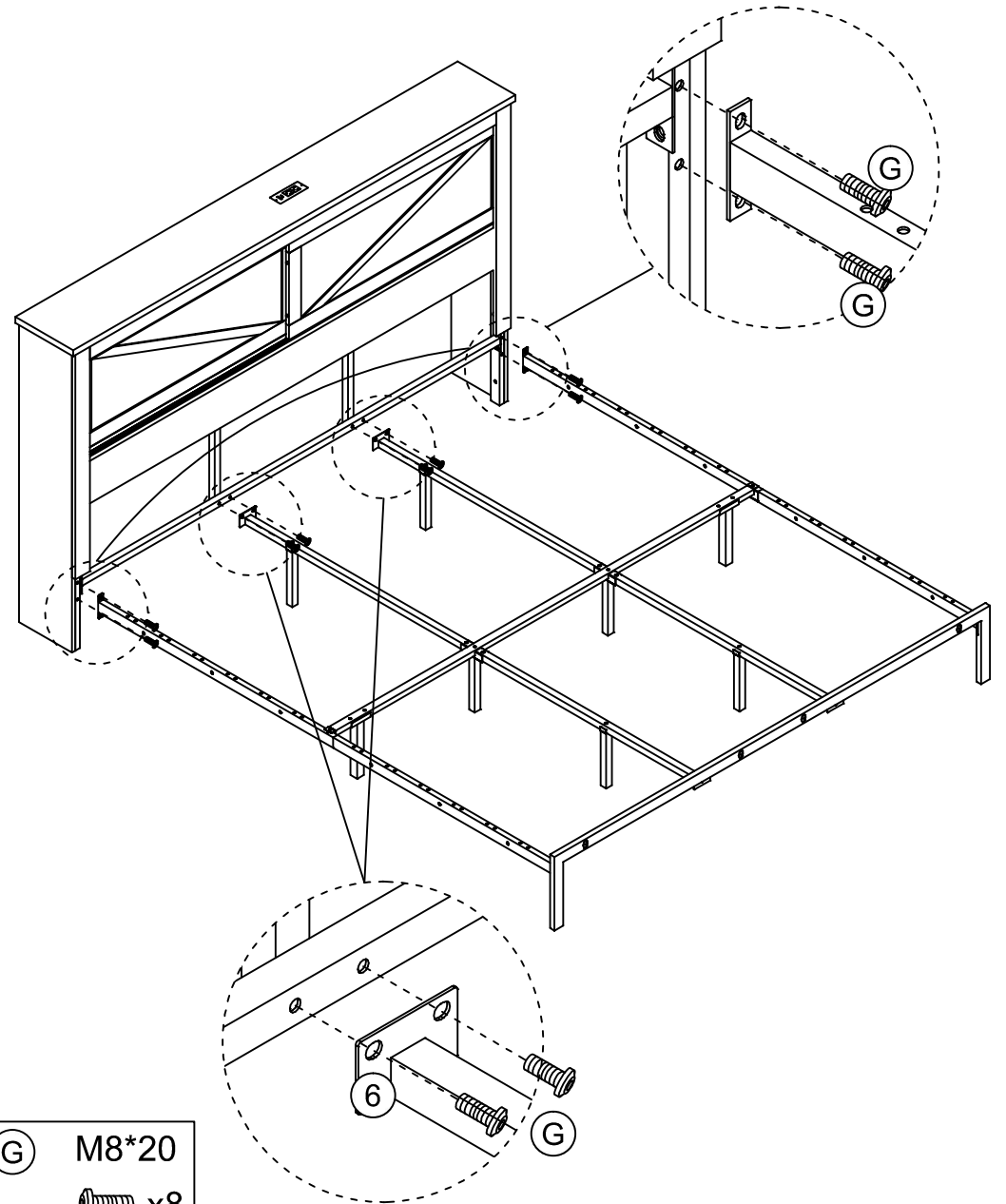
# Assembly Instruction

Step 26



① M8\*35  
x4

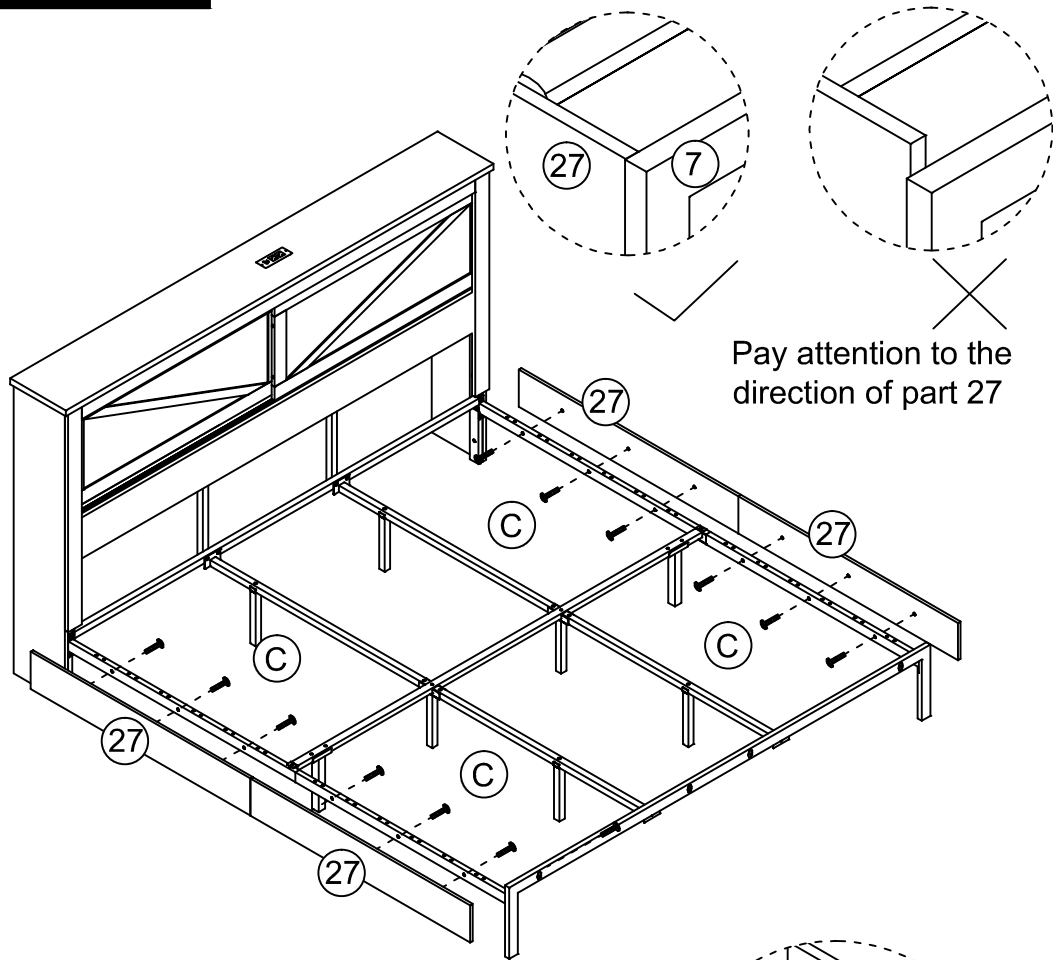
Step 27



⑥ M8\*20  
x8

# Assembly Instruction

## Step 28

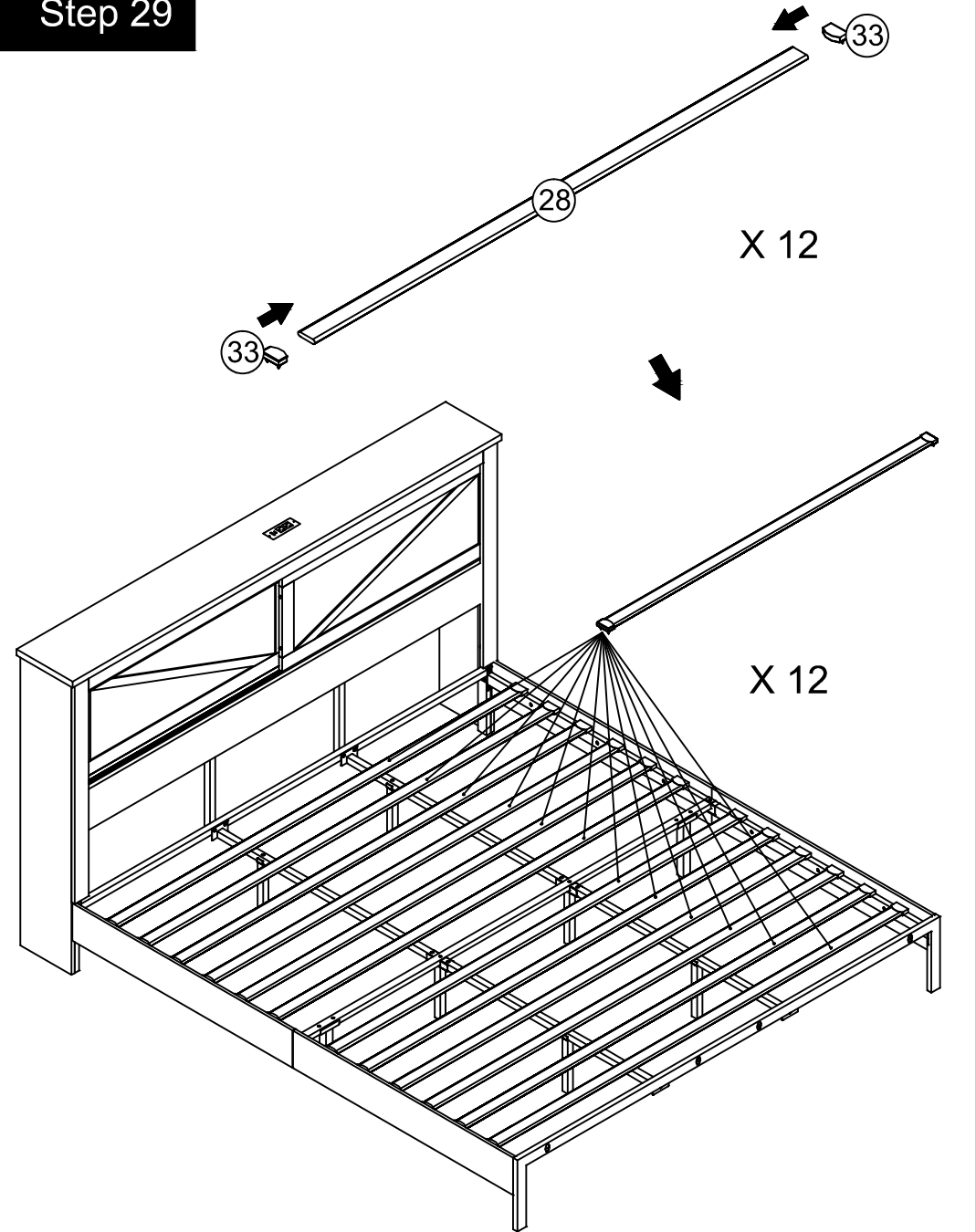


Pay attention to the direction of part 27

After all four parts 27 are installed, place them close to the bed tail and tighten screw C

(C) M6\*28  
x12

## Step 29

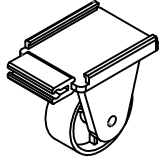


# Assembly Instruction

## Install Drawer

### Hardware parts

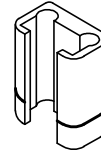
#### Accessories in hardware box



Pulley x 8



Plastic buckle (A) x 5



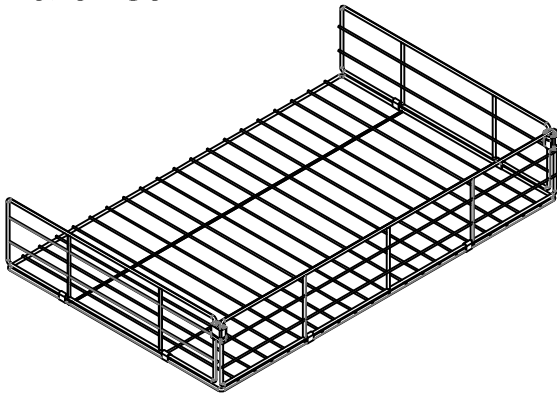
Plastic buckle (B) x 5



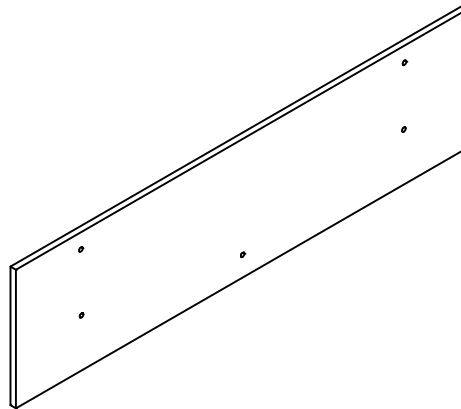
Screw x 10

Note the (A) in the hardware blister pack

### Part list



③⑤ 2PCS



Drawer board

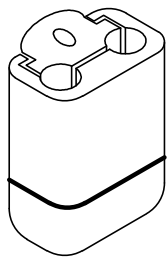
③⑥ 2PCS



Iron buckle

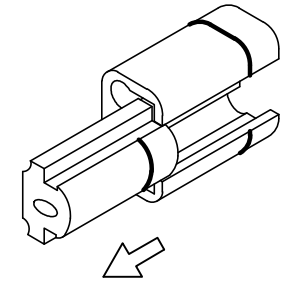
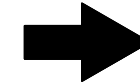
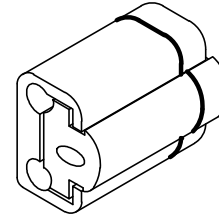
③⑦ 7PCS

# Assembly Instruction

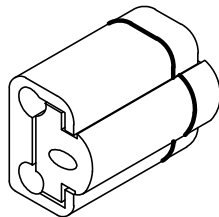
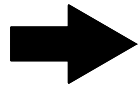
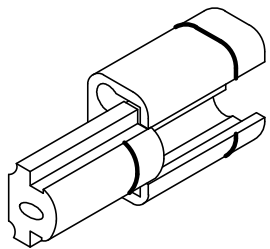


Remember this convex coil

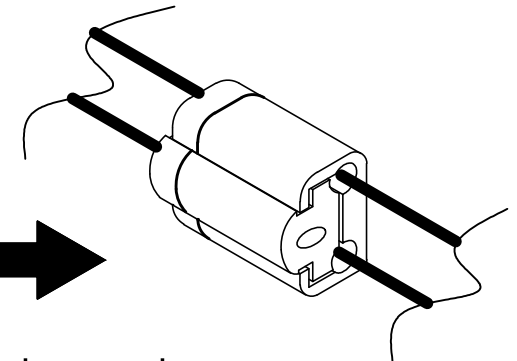
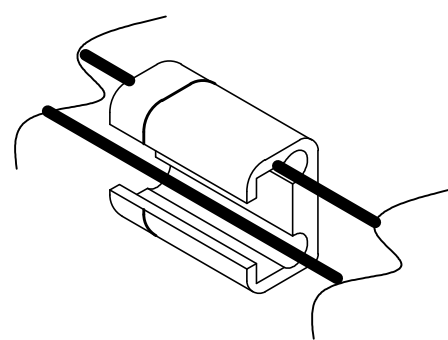
Reverse direction



You can pull the buckle out by following the direction indicated by the arrow



So This is the only direction that can be locked

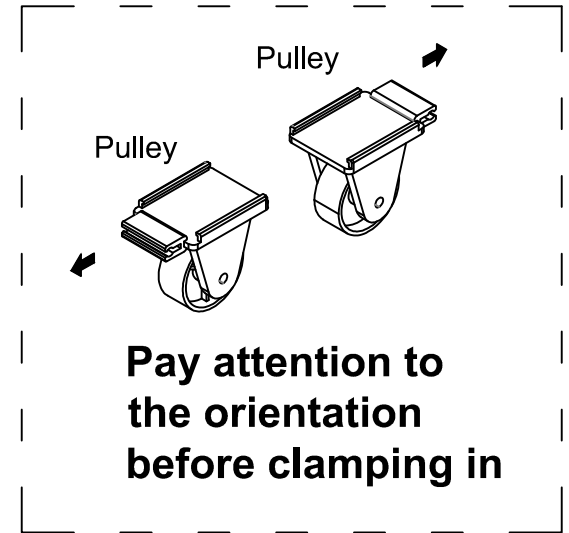
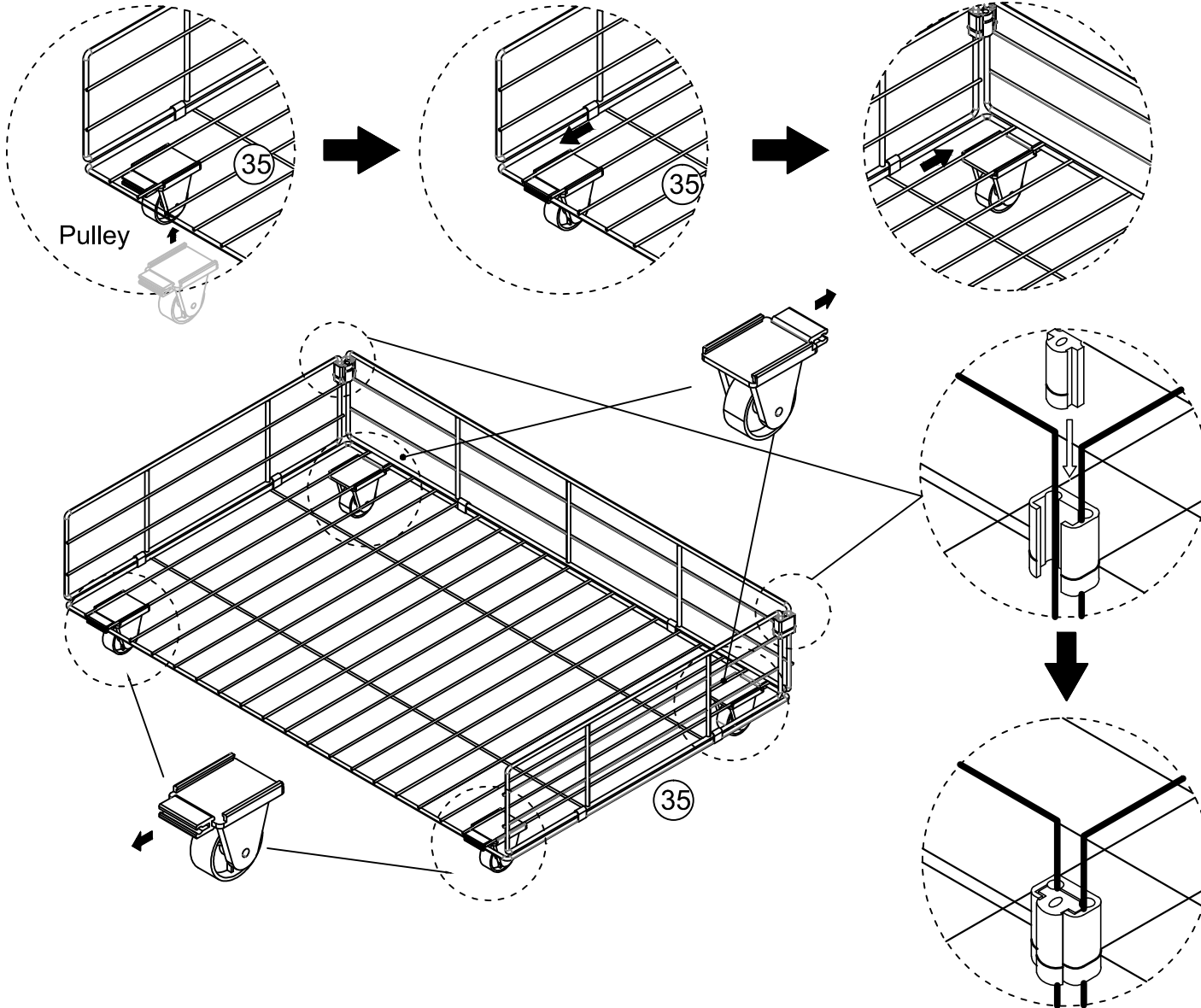


Place round iron tube as shown for better drawer assembly

# Assembly Instruction

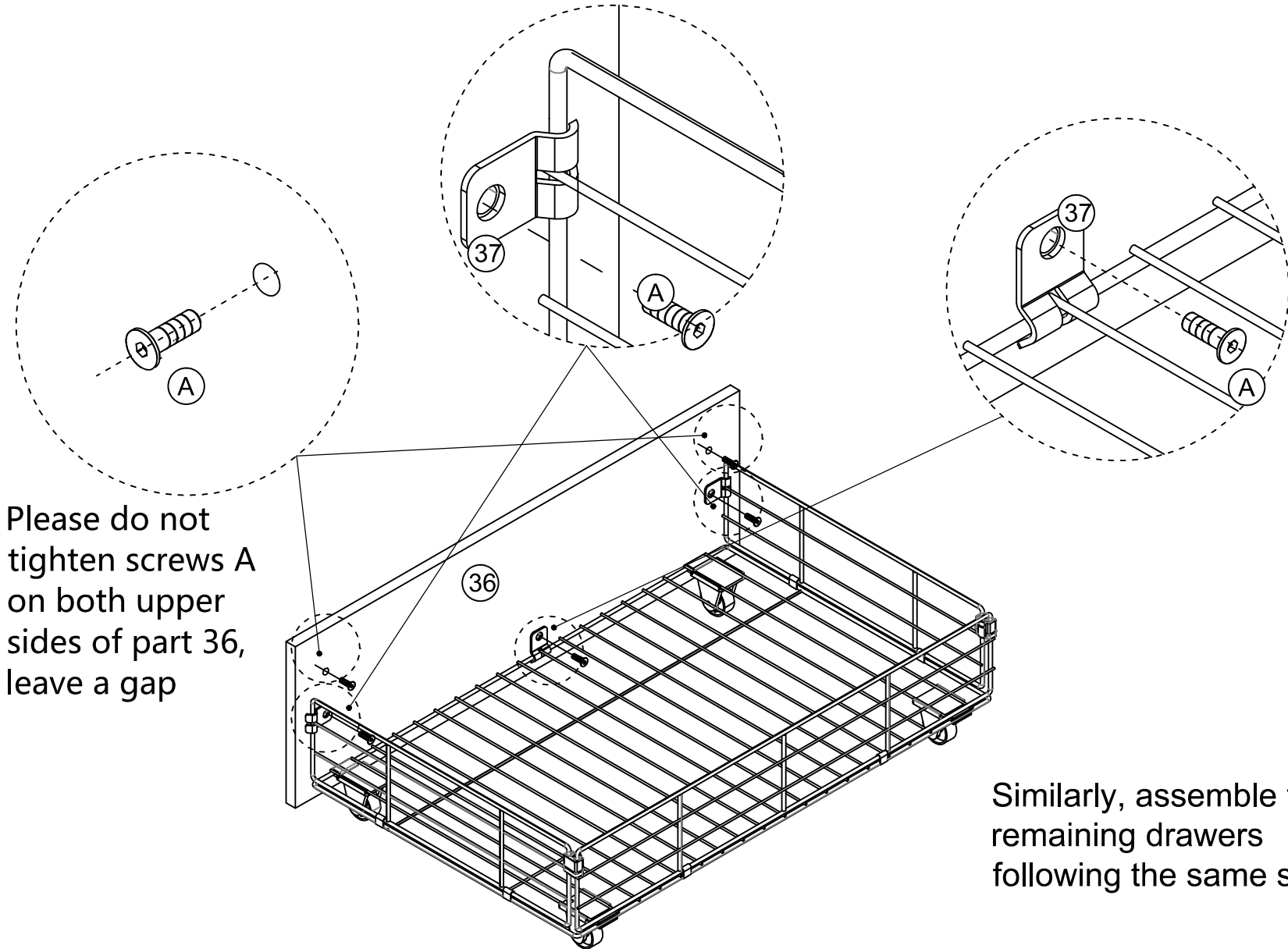
As shown in the figure Clip the pulley into position first

Then push the pulley to the side  
At the same time, clamp the iron wire at the edge. It takes a little strength



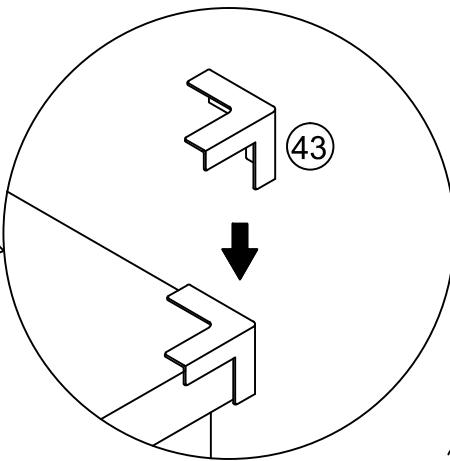
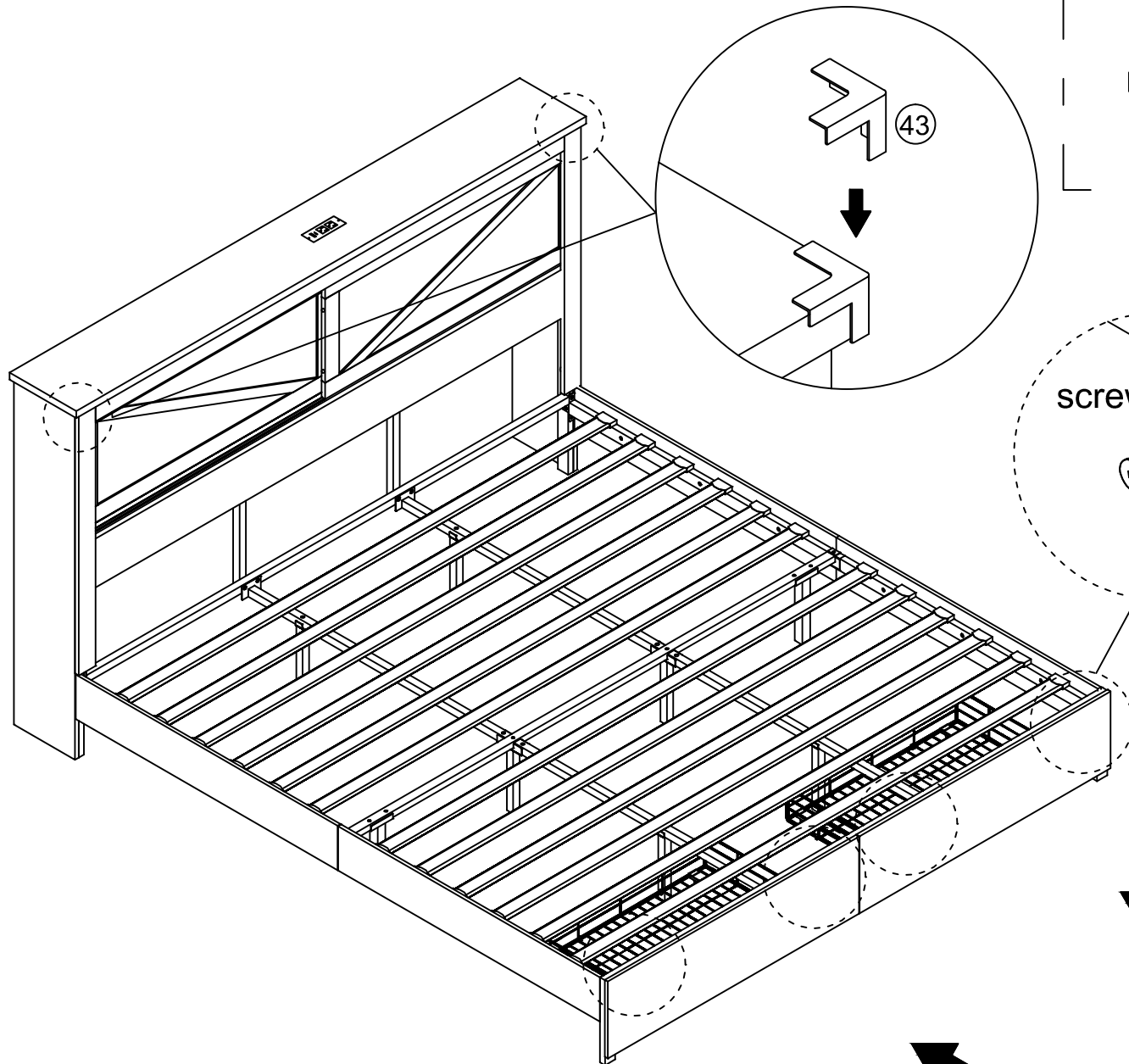
**Please note that this drawer base (35) has front and back sides! Please see the instructions clearly before assembling!!!**

# Assembly Instruction



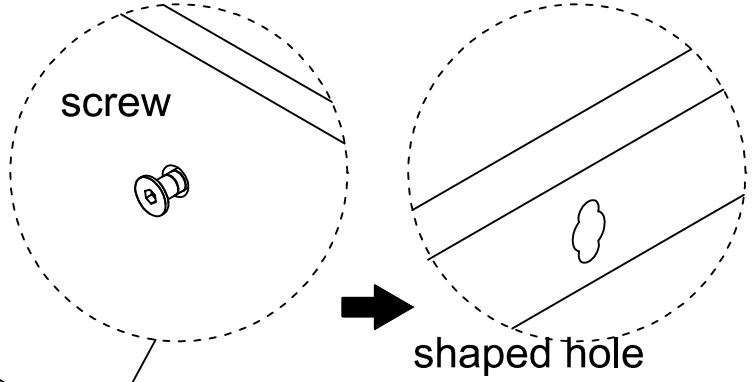
(A) M6\*10  
x10

# Assembly Instruction



43 x2

Tear up the double-sided tape on 43 before installation



Gently lift the drawer, align the screw with the gourd-shaped hole, and then snap it in

Installation Complete