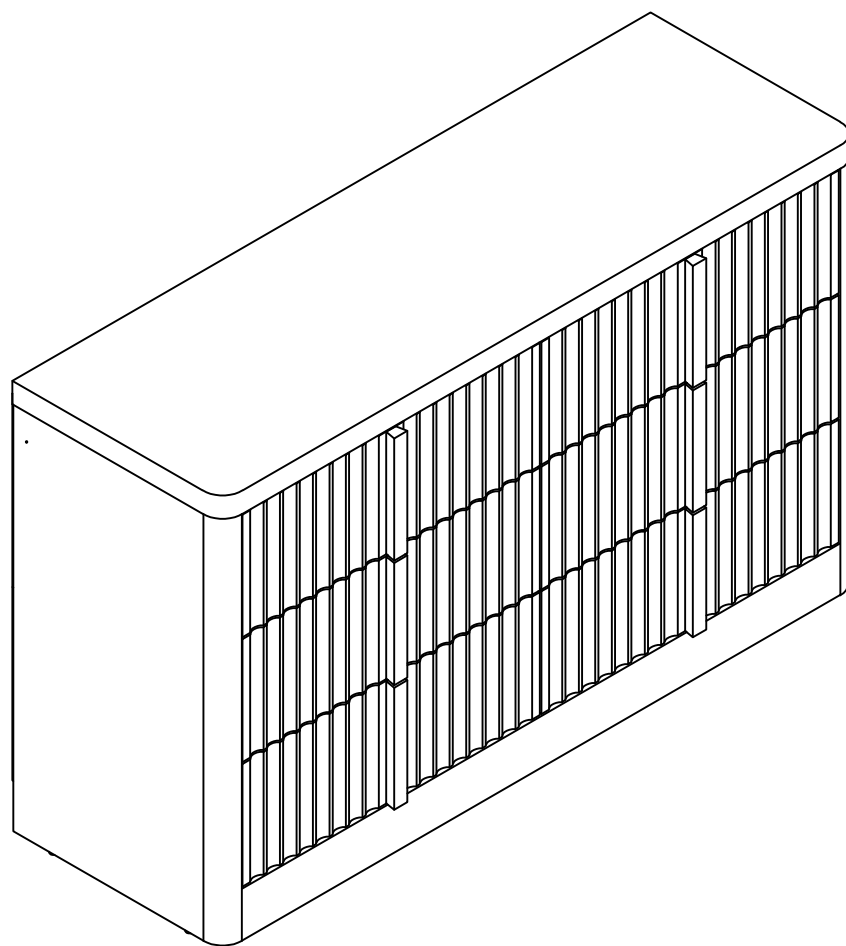
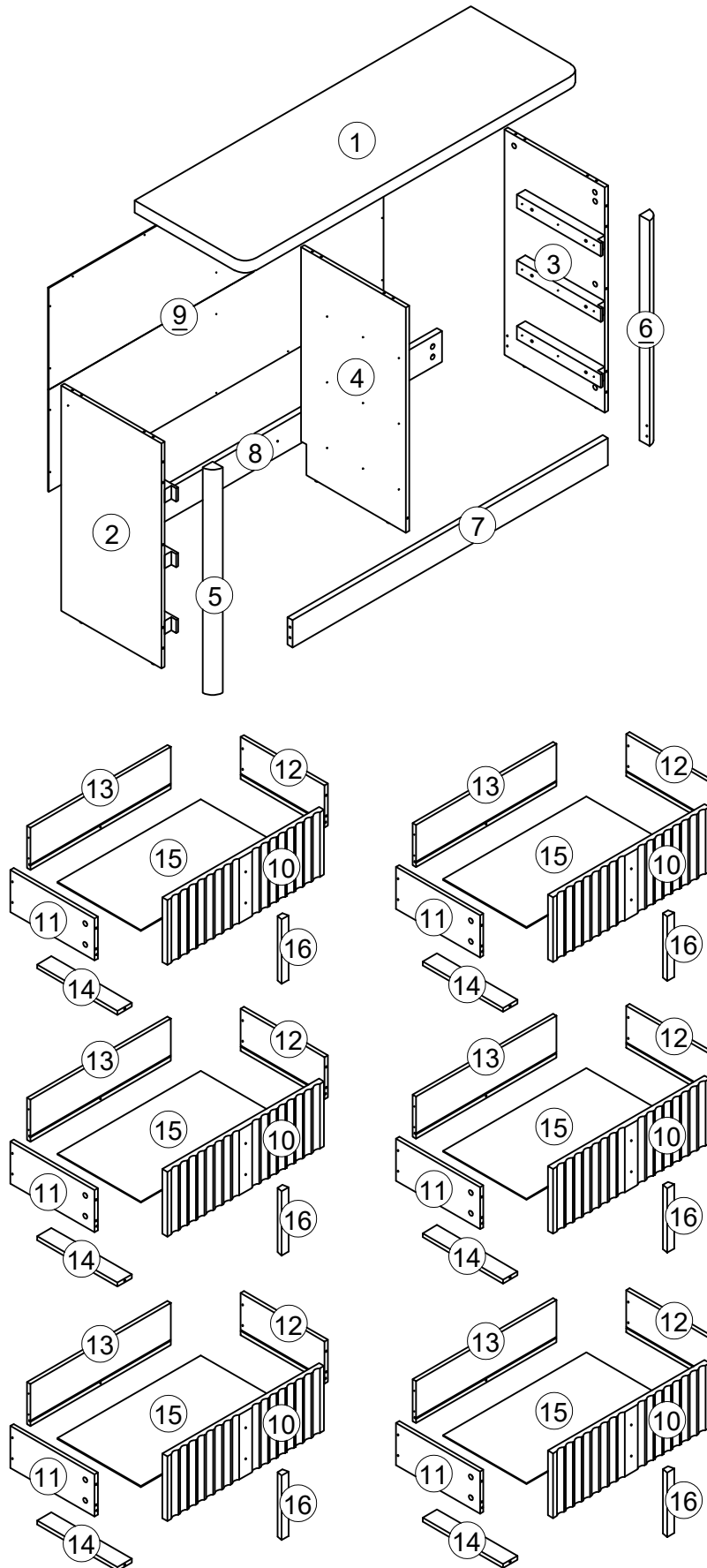


# ASSEMBLY INSTRUCTIONS



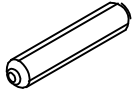

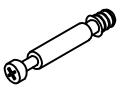
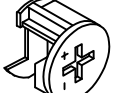
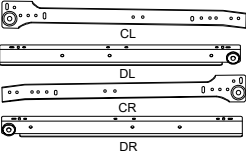
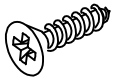
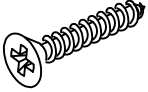


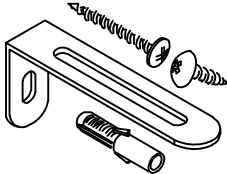
# PACKAGE INCLUDE



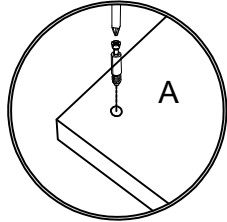
## PACKAGE INCLUDE

CODE	DESCRIPTION	QTY
1	Top Panel	1
2	Left Side Panel	1
3	Right Side Panel	1
4	Mid-Side Panels	1
5	Left Column	1
6	Right Column	1
7	Bottom Vertical Panel	1
8	Rear Foot Plate	1
9	Backplate	1
10	Padded Panels	6
11	Drawer Left Side Panel	6
12	Drawer Right Side Panel	6
13	Drawer Back Panel	6
14	Drawer Bottom Strip	6
15	Drawer Bottom Panel	6
16	Wooden Handles	6

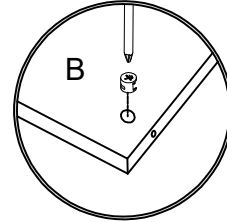
# PACKAGE CONTENT

<p>Ø6X30MM</p>  <p>(A) 10X+1</p>	<p>Ø4X25MM</p>  <p>(B) 12X+1</p>	<p>Ø6X40MM</p>  <p>(C) 51X+4</p>	<p>Ø15X10MM</p>  <p>(D) 51X+4</p>
 <p>(E) 6X</p>	<p>Ø3.5X12MM</p>  <p>(F) 60X+4</p>	<p>Ø4X35MM</p>  <p>(G) 31X+2</p>	<p>Ø3X12MM</p>  <p>(H) 20X+2</p>
 <p>(J) 24X+2</p>	 <p>(K) 2X</p>		

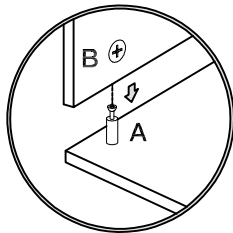
# How to use the cam lock system



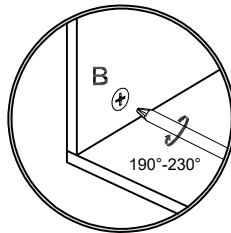
1. Screw cam bolt into panel



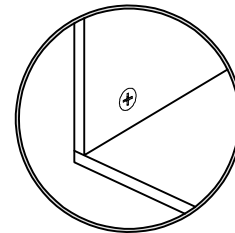
2. Push cam into panel - arrow feature on cam top points to panel edge



3. Align cam bolt(s) with cam(s) and insert all the way into cross-bored hole(s)

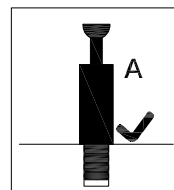
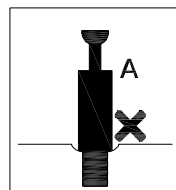
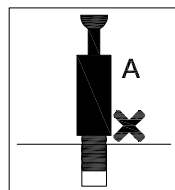
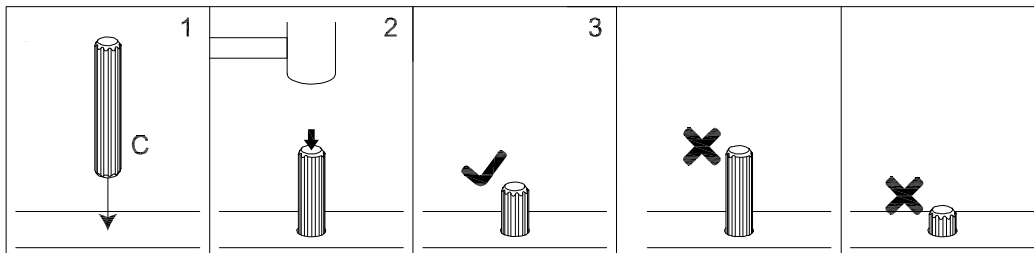


4. Rotate cam(s) clockwise 190°-230° to lock panels together

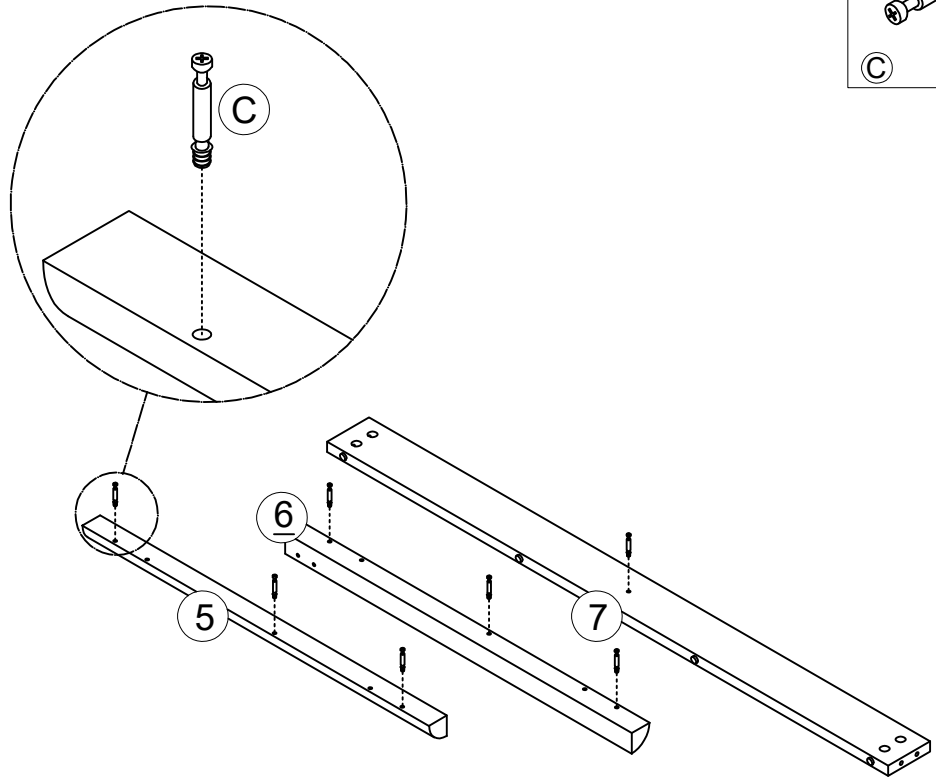
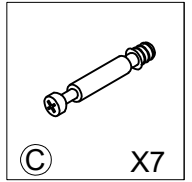


5. Panels should be tight against each other and connection should be rigid

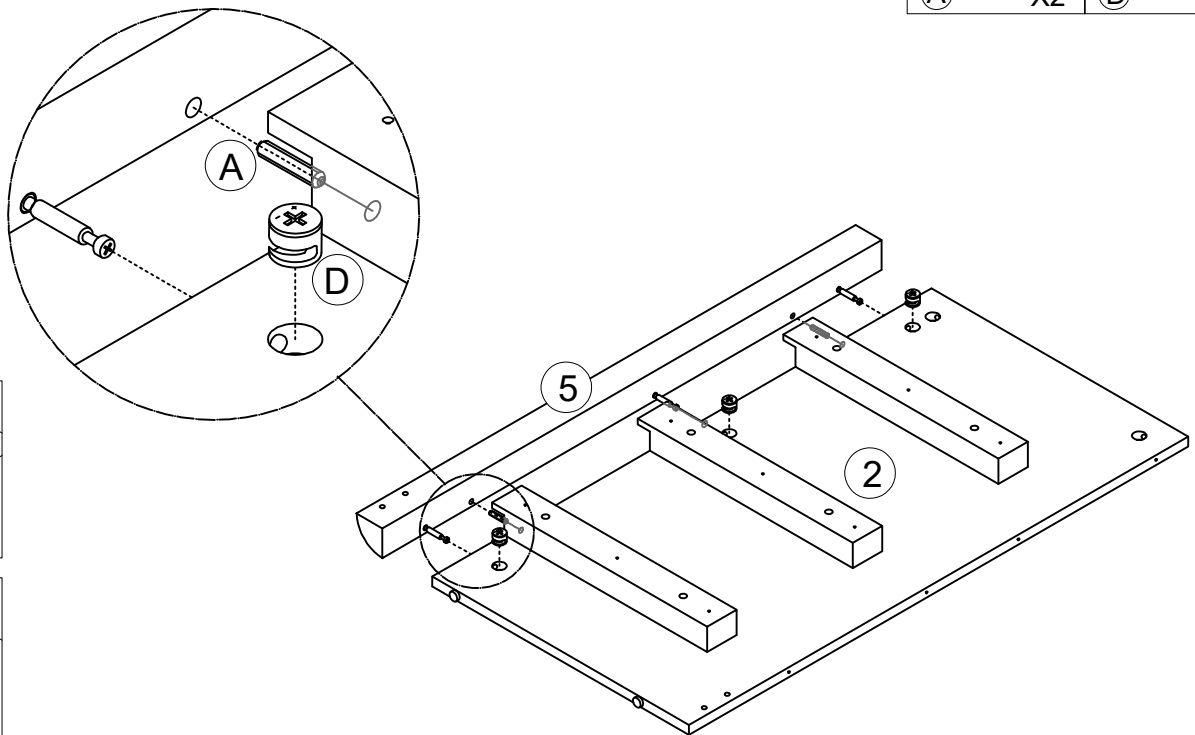
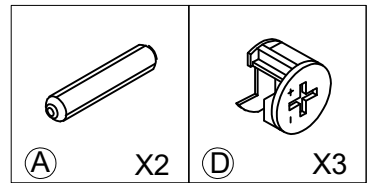
Insert the wood dowel [C] at least half way by tapping lightly with a rubber mallet, IF NECESSARY.



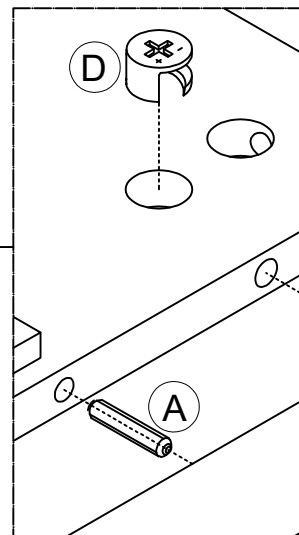
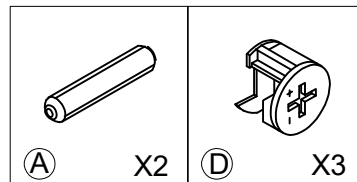
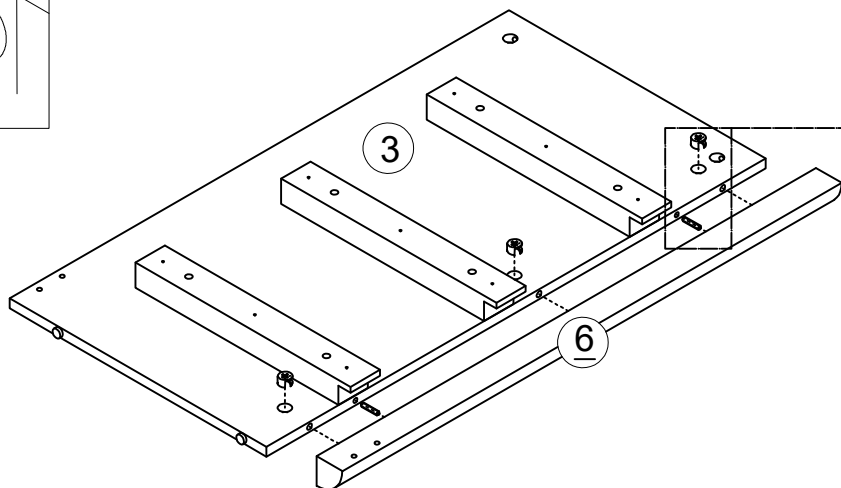
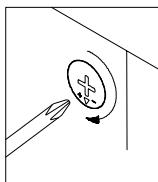
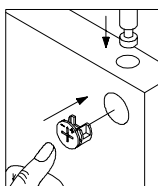
# STEP 1



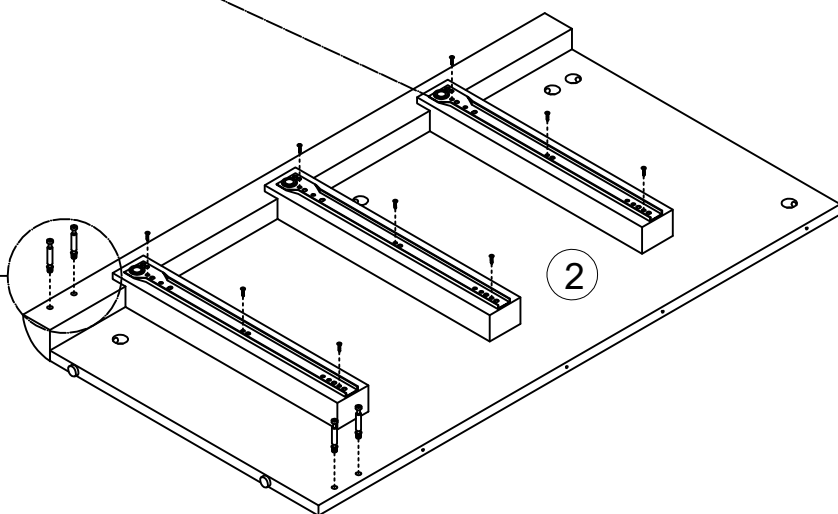
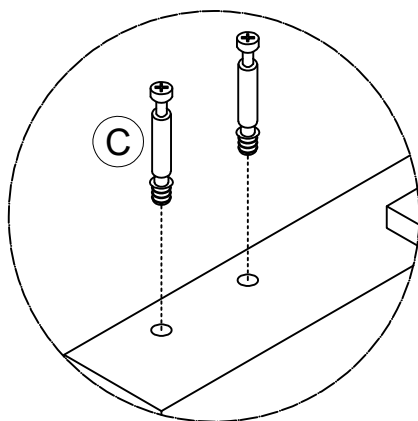
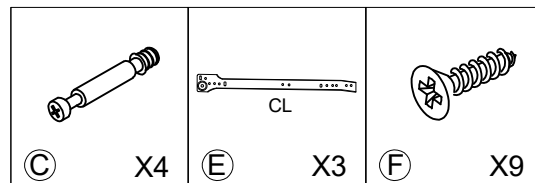
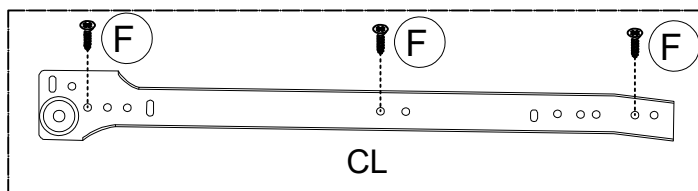
# STEP 2



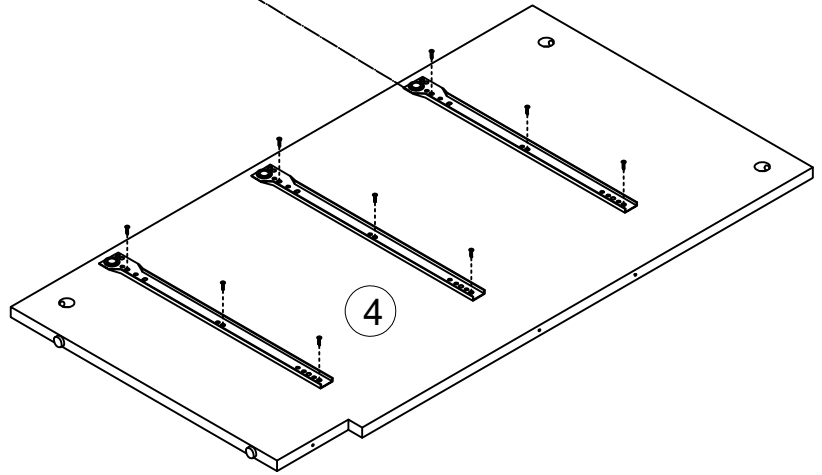
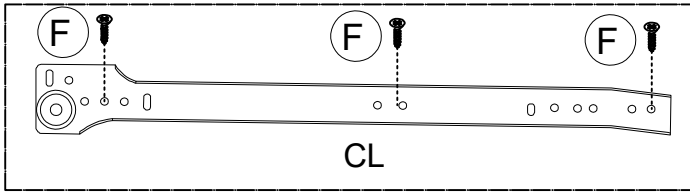
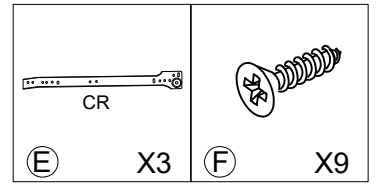
# STEP 3



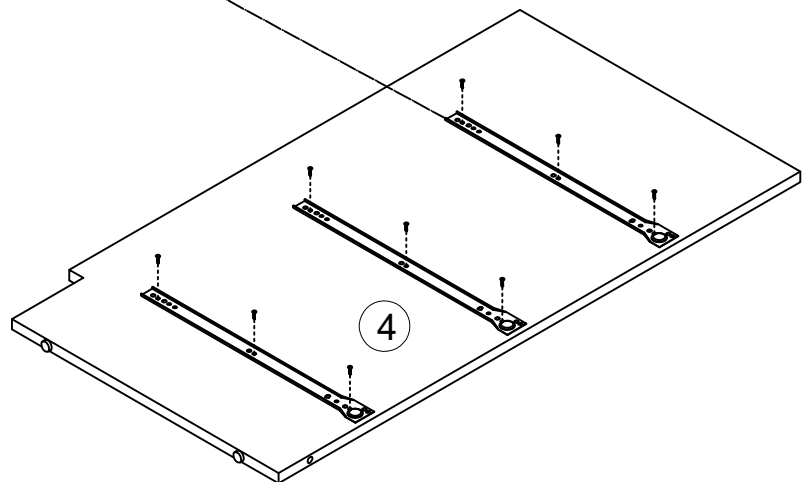
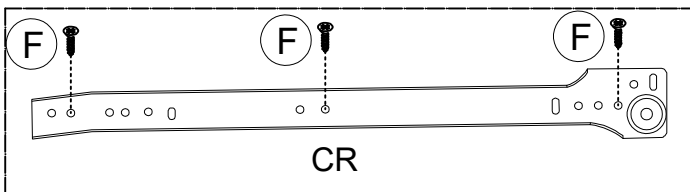
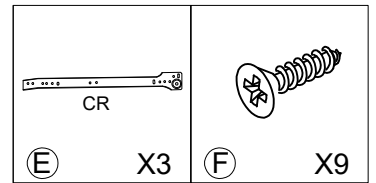
# STEP 4



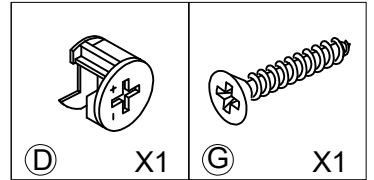
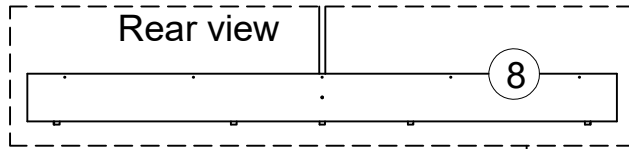
# STEP 5



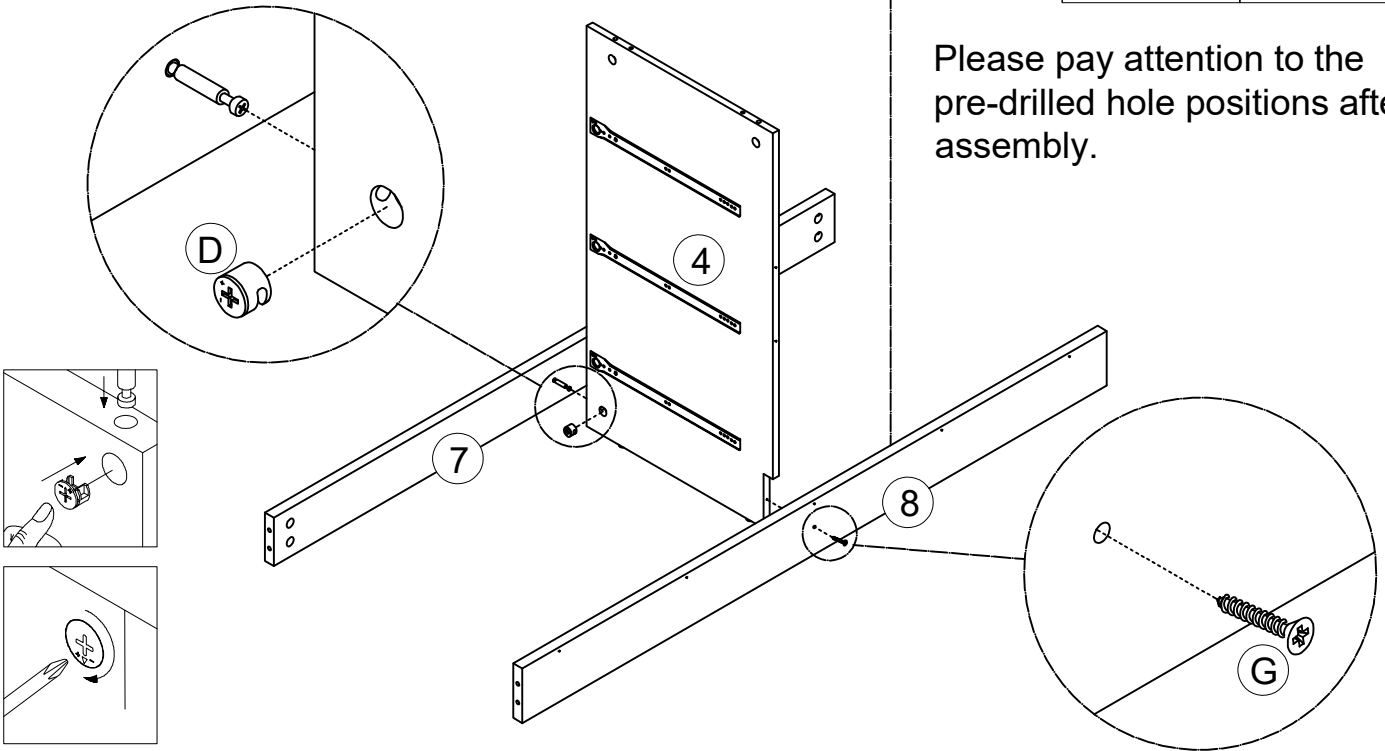
# STEP 6



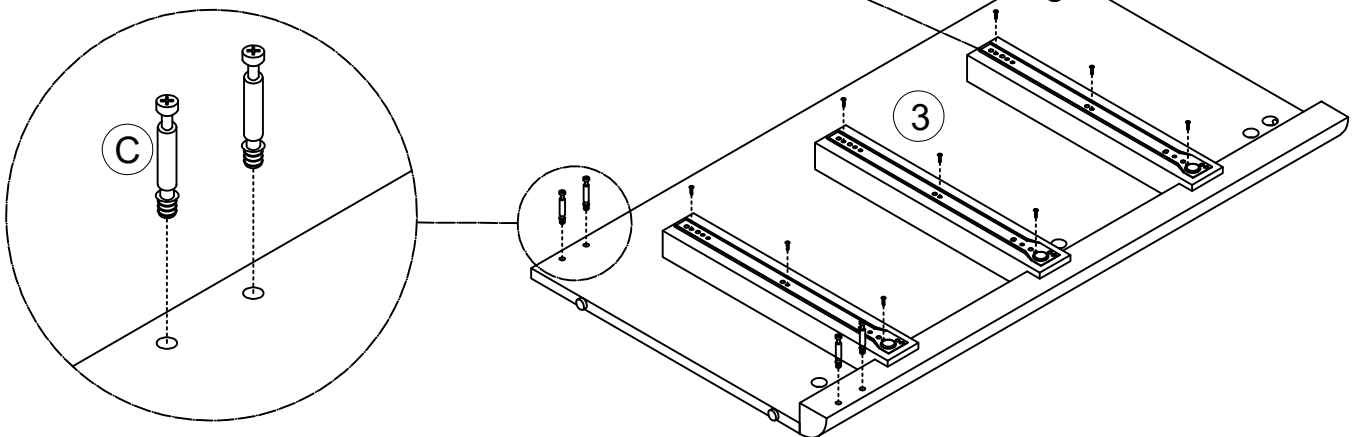
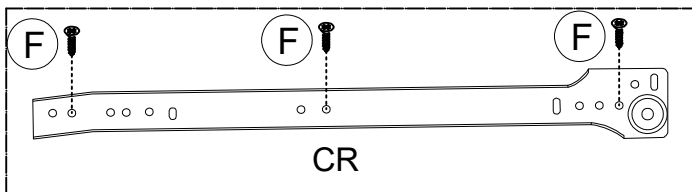
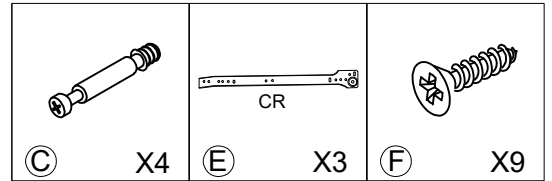
# STEP 7



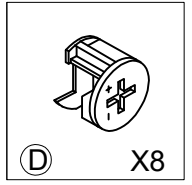
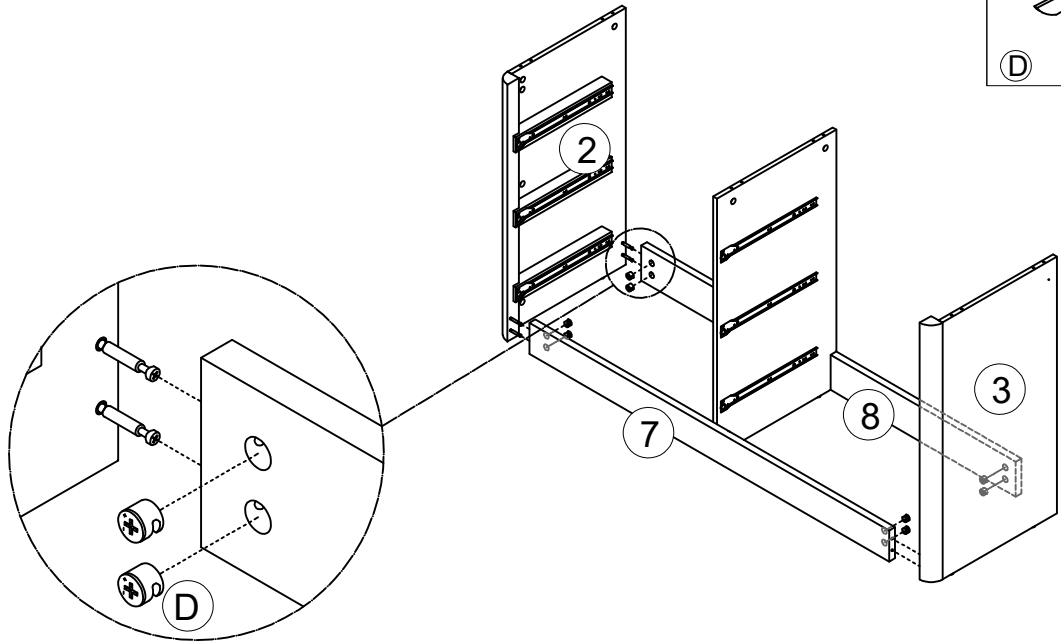
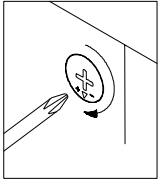
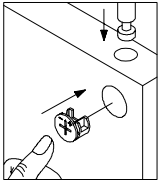
Please pay attention to the pre-drilled hole positions after assembly.



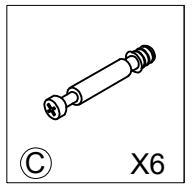
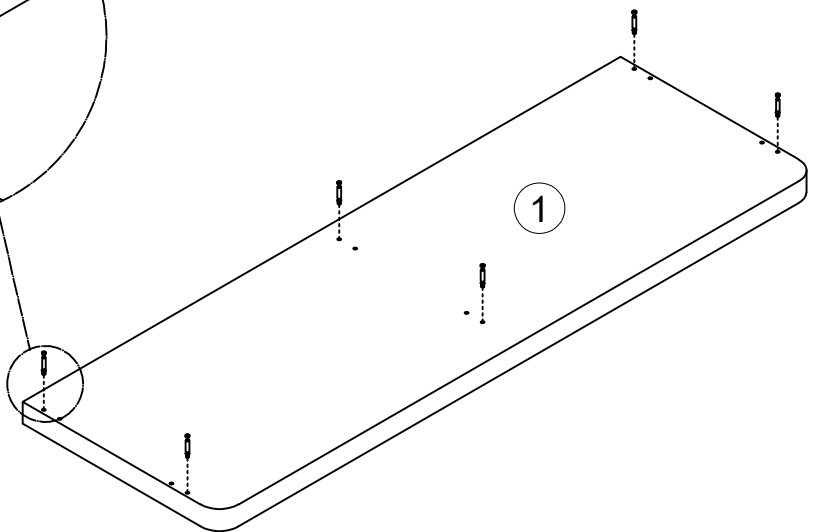
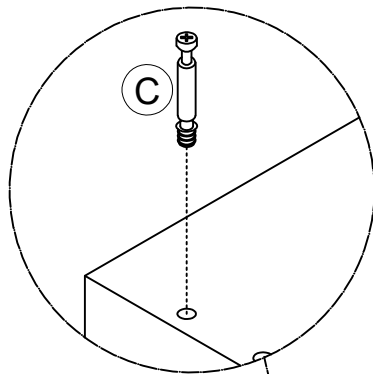
# STEP 8



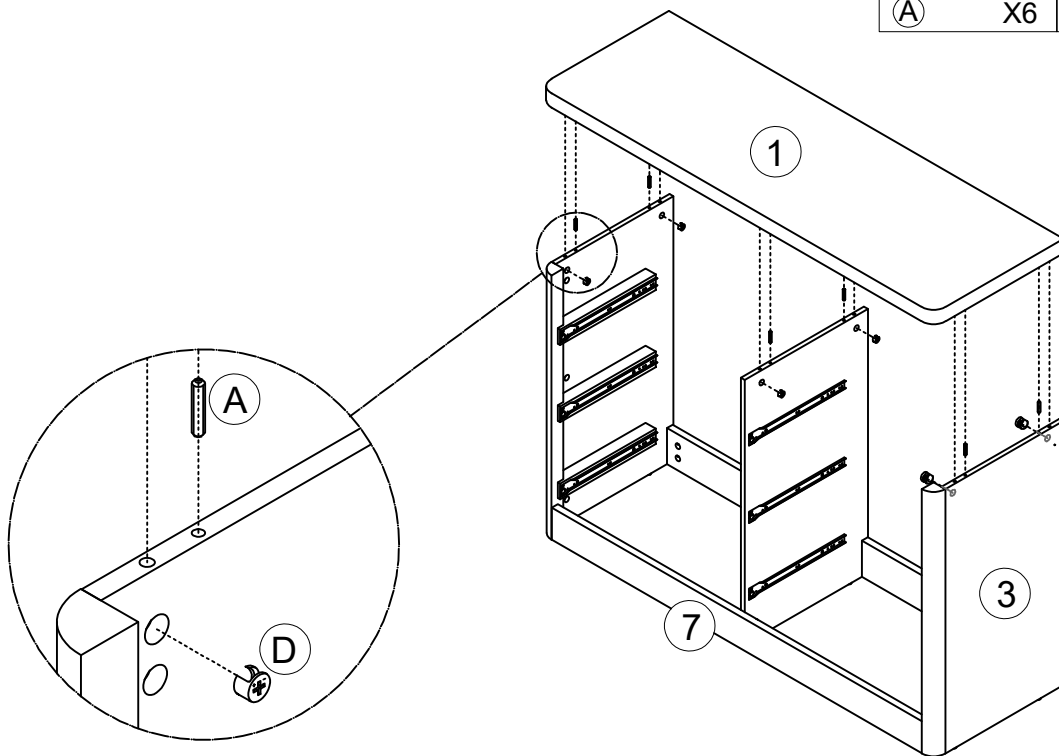
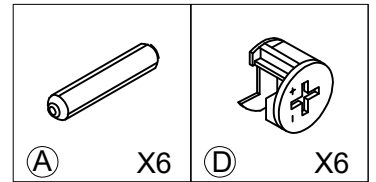
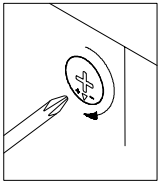
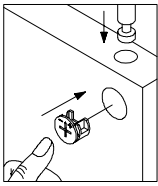
# STEP 9



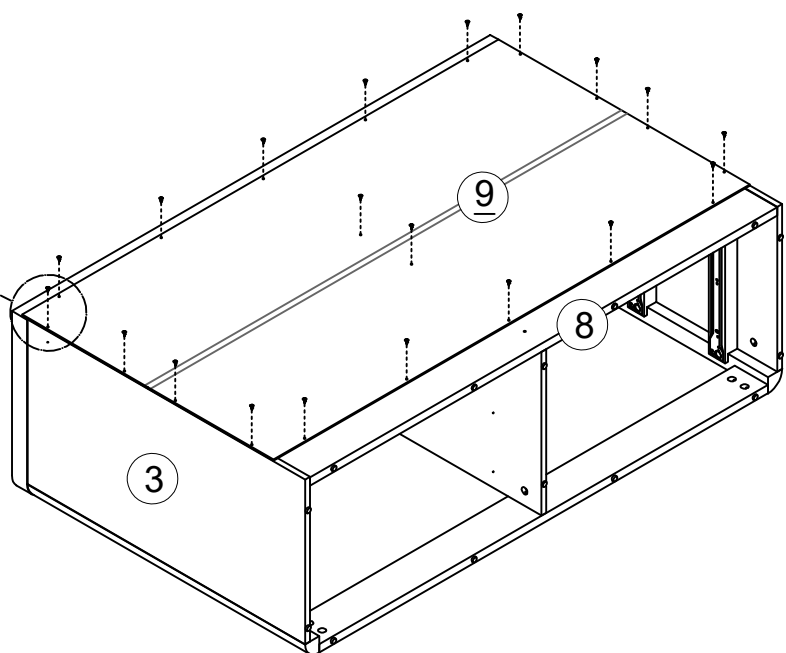
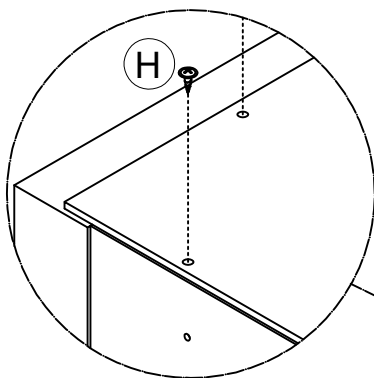
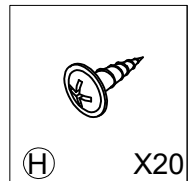
# STEP 10



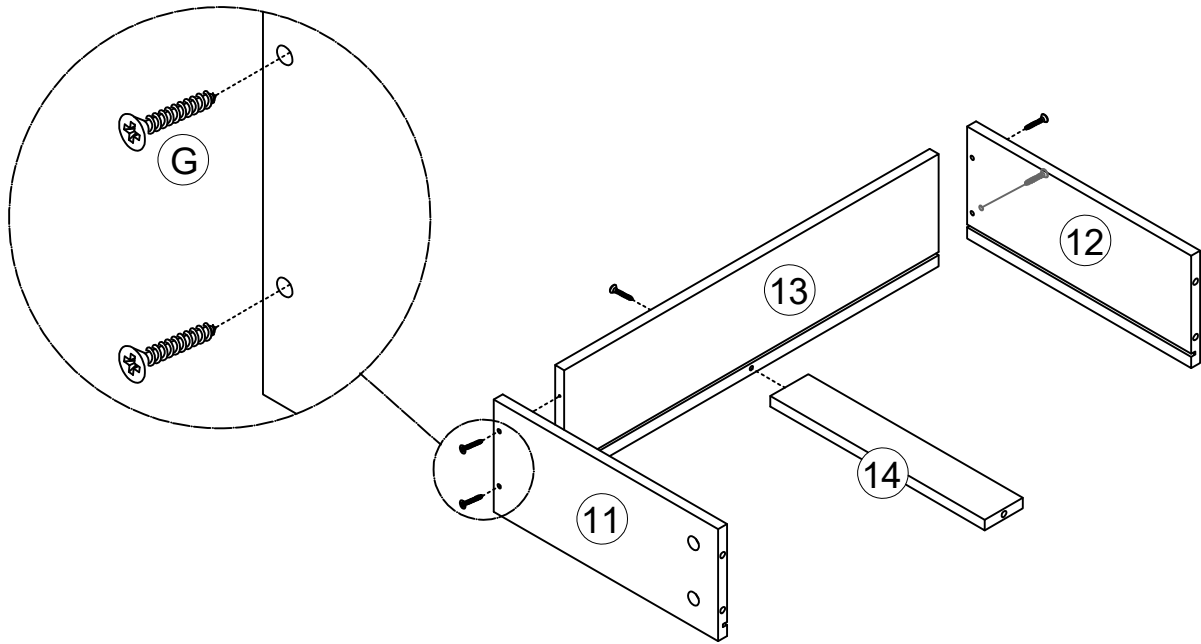
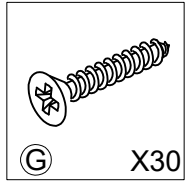
# STEP 11



# STEP 12

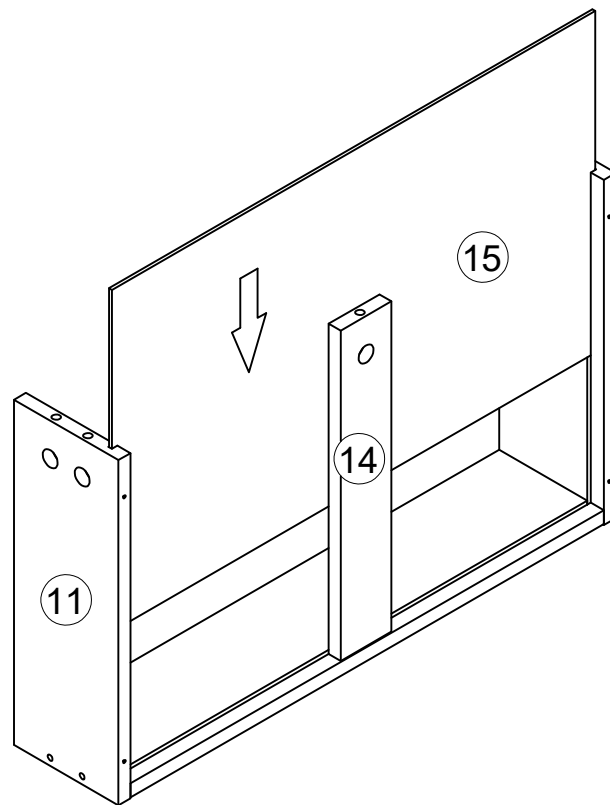


# STEP 13



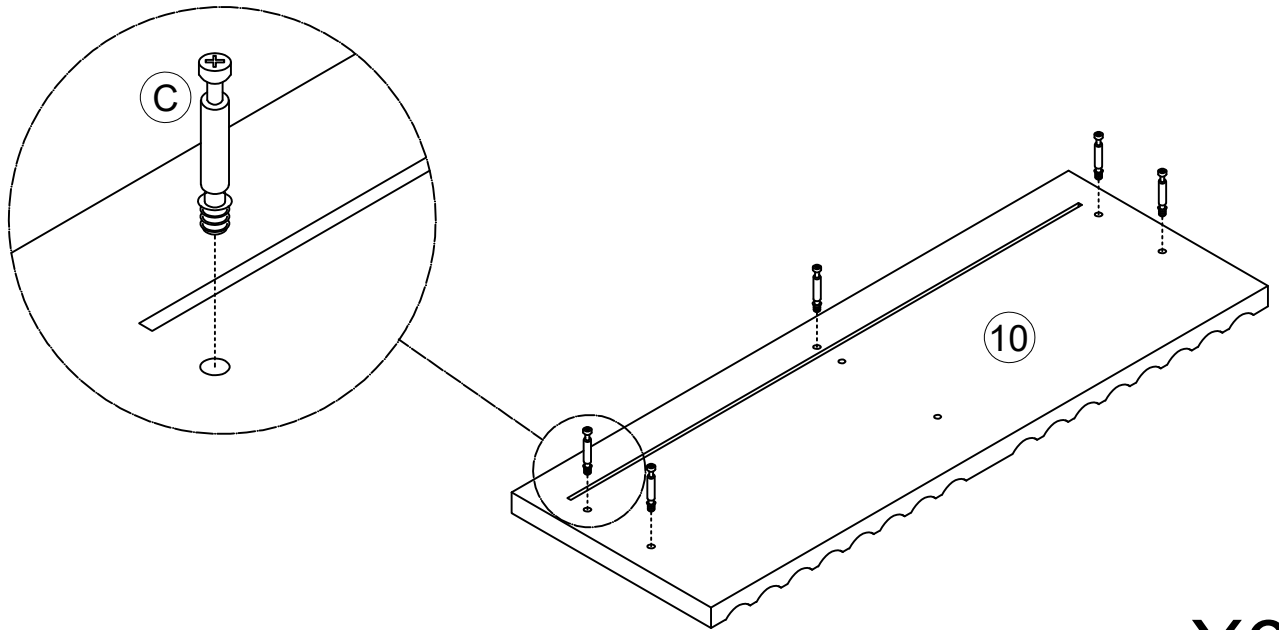
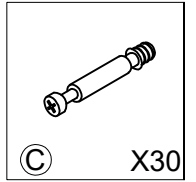
X6

# STEP 14



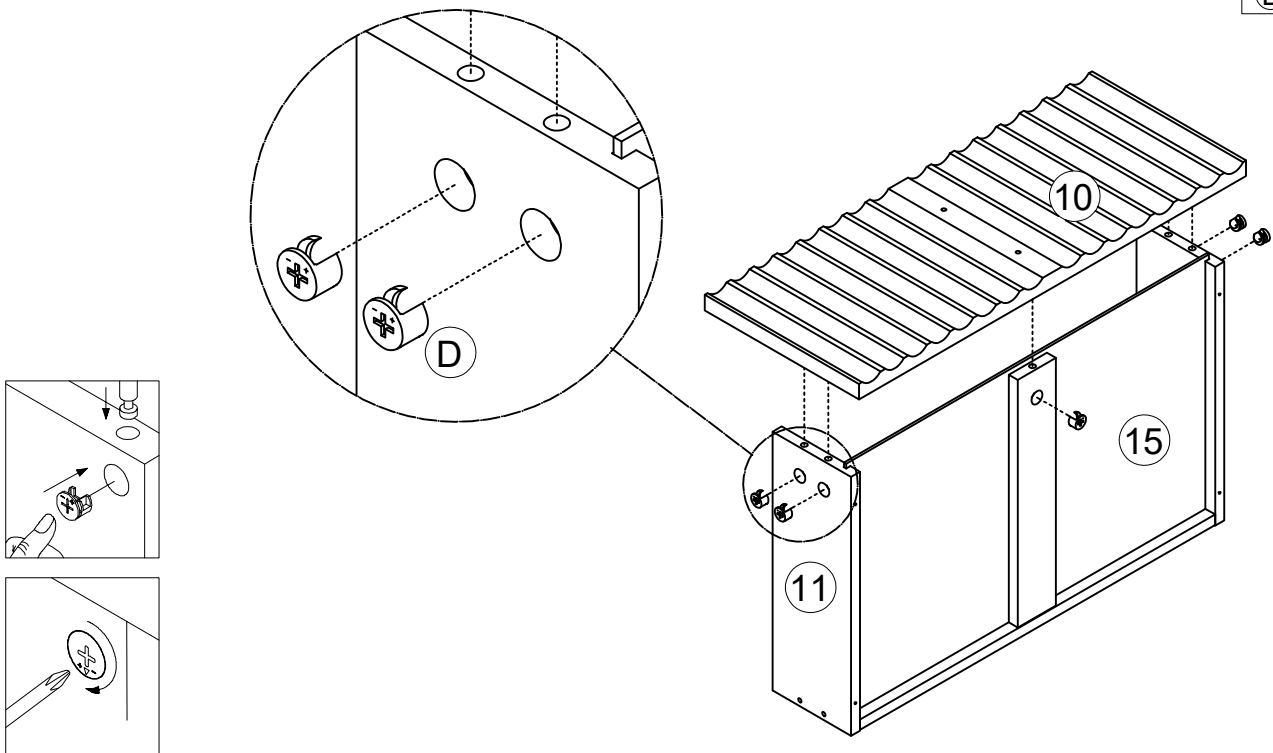
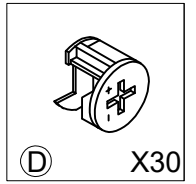
X6

# STEP 15



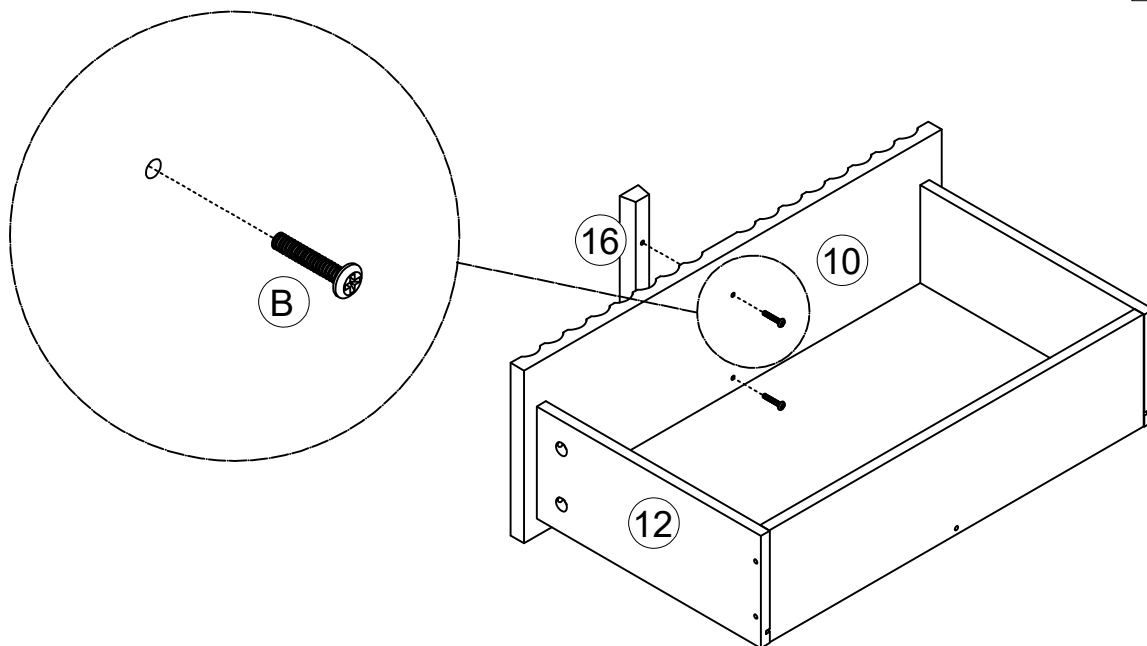
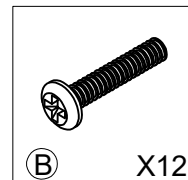
X6

# STEP 16



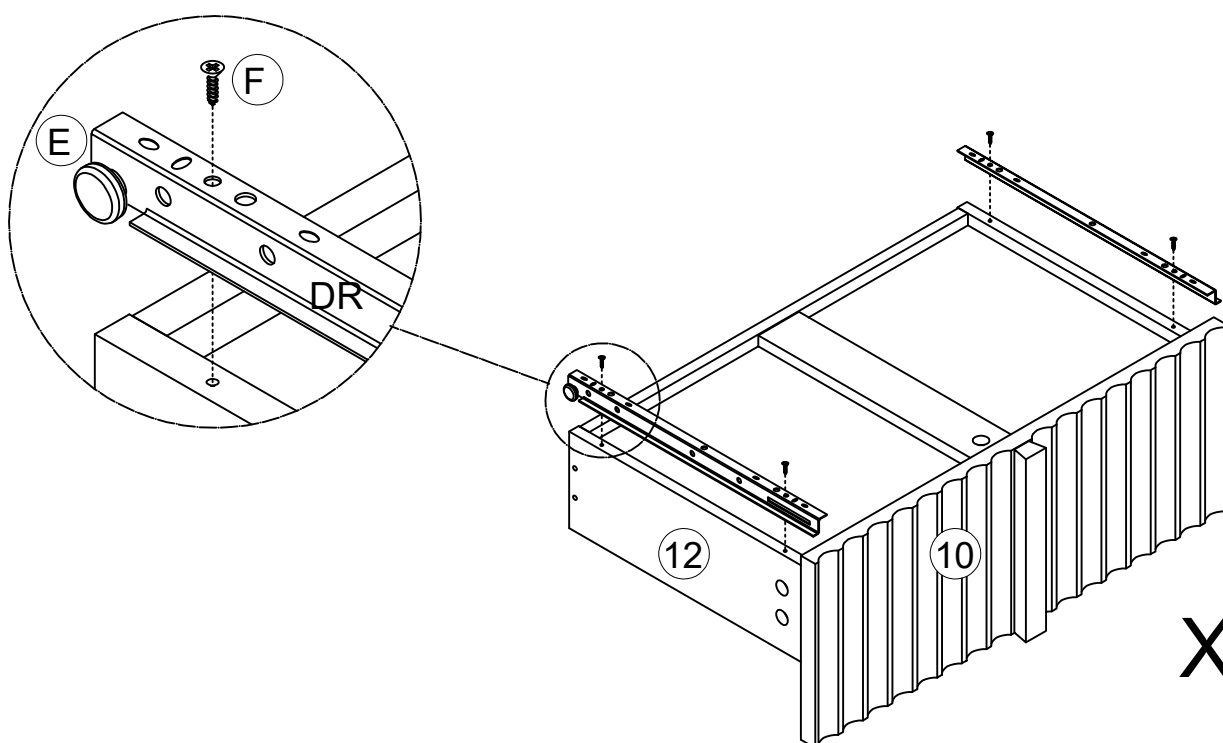
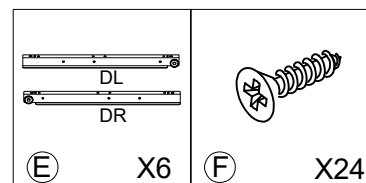
X6

# STEP 17



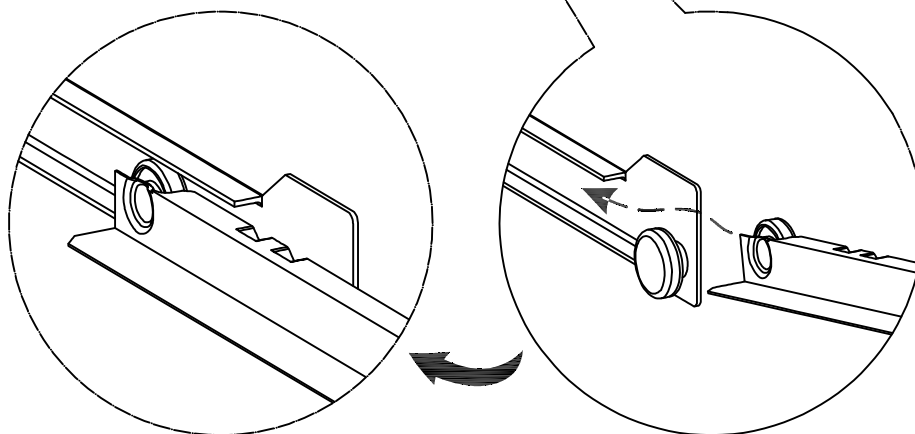
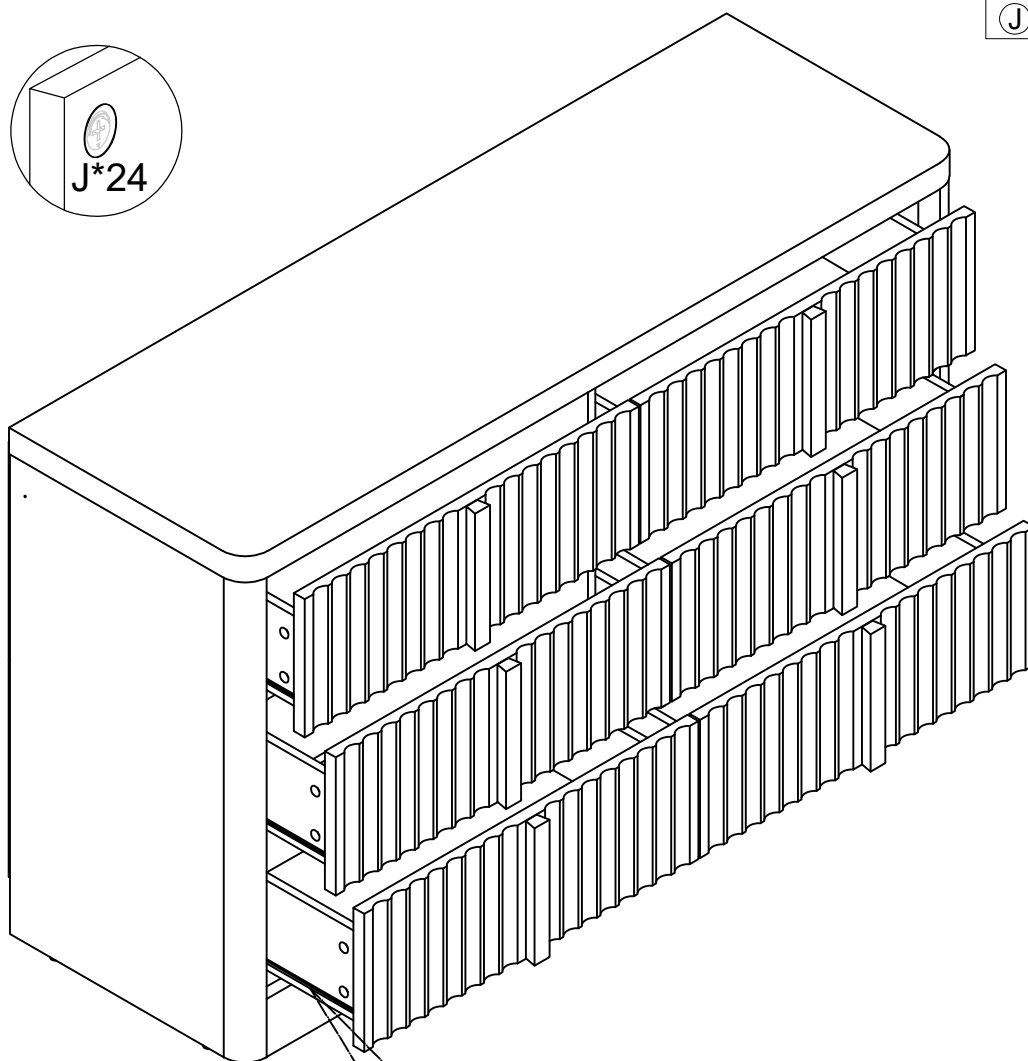
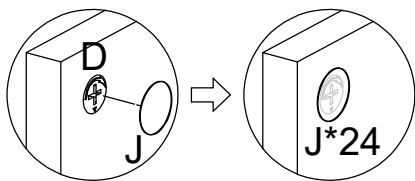
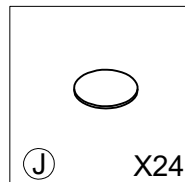
X6

# STEP 18

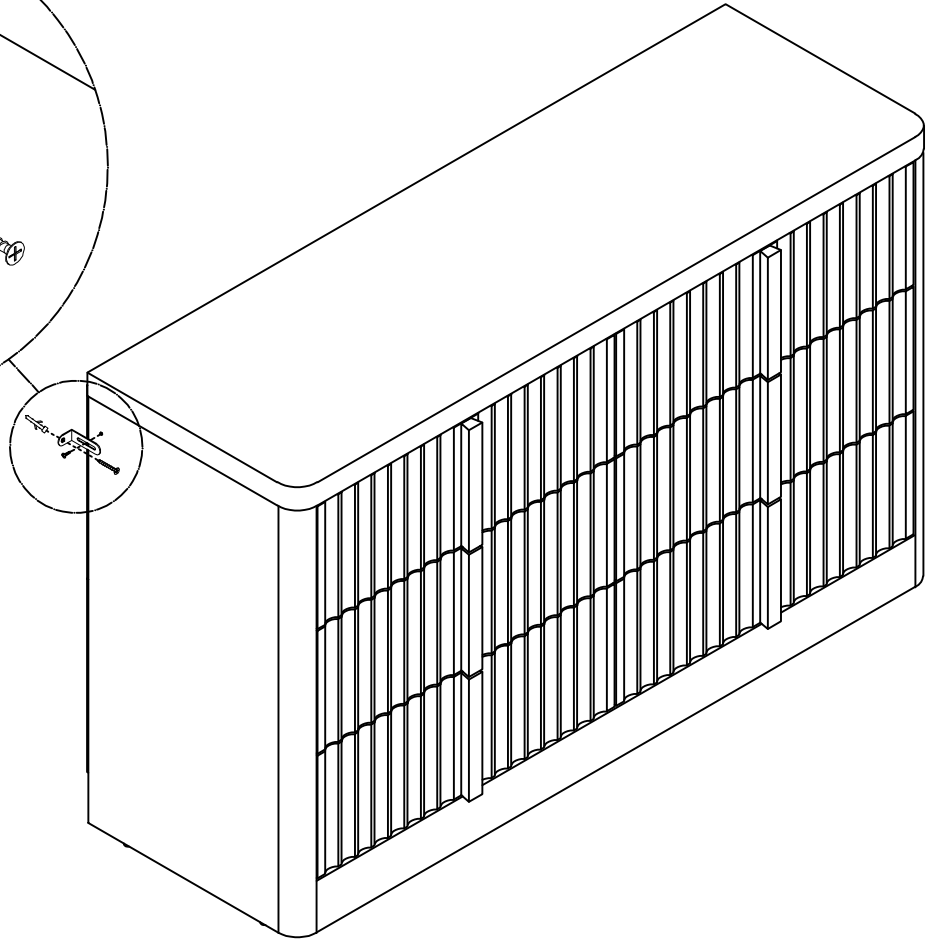
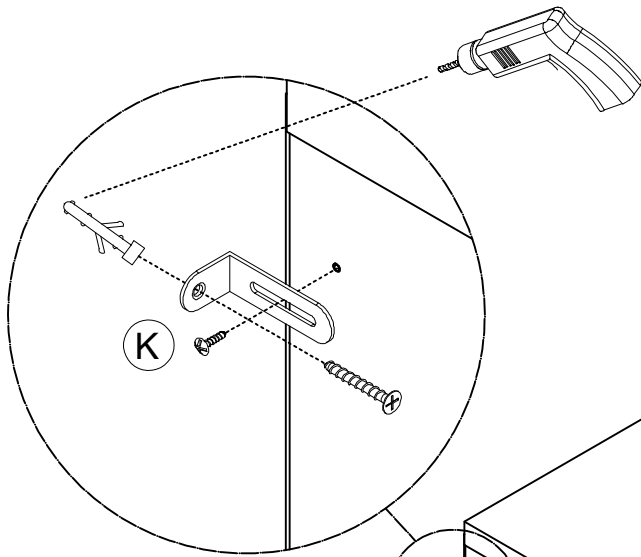
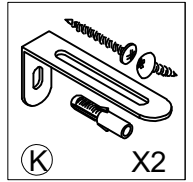


X6

# STEP 19



# STEP 20



## ▲ WARNING



Children have died from furniture tipover. To reduce the risk of furniture tipover:

- ALWAYS install anti-tip device provided.
- NEVER put a TV on this product.
- NEVER allow children to stand, climb or hang on any drawers, doors, or shelves.
- NEVER open more than one drawer at a time.
- Place heaviest items in the lowest drawers. This is a permanent label. Do not remove!

