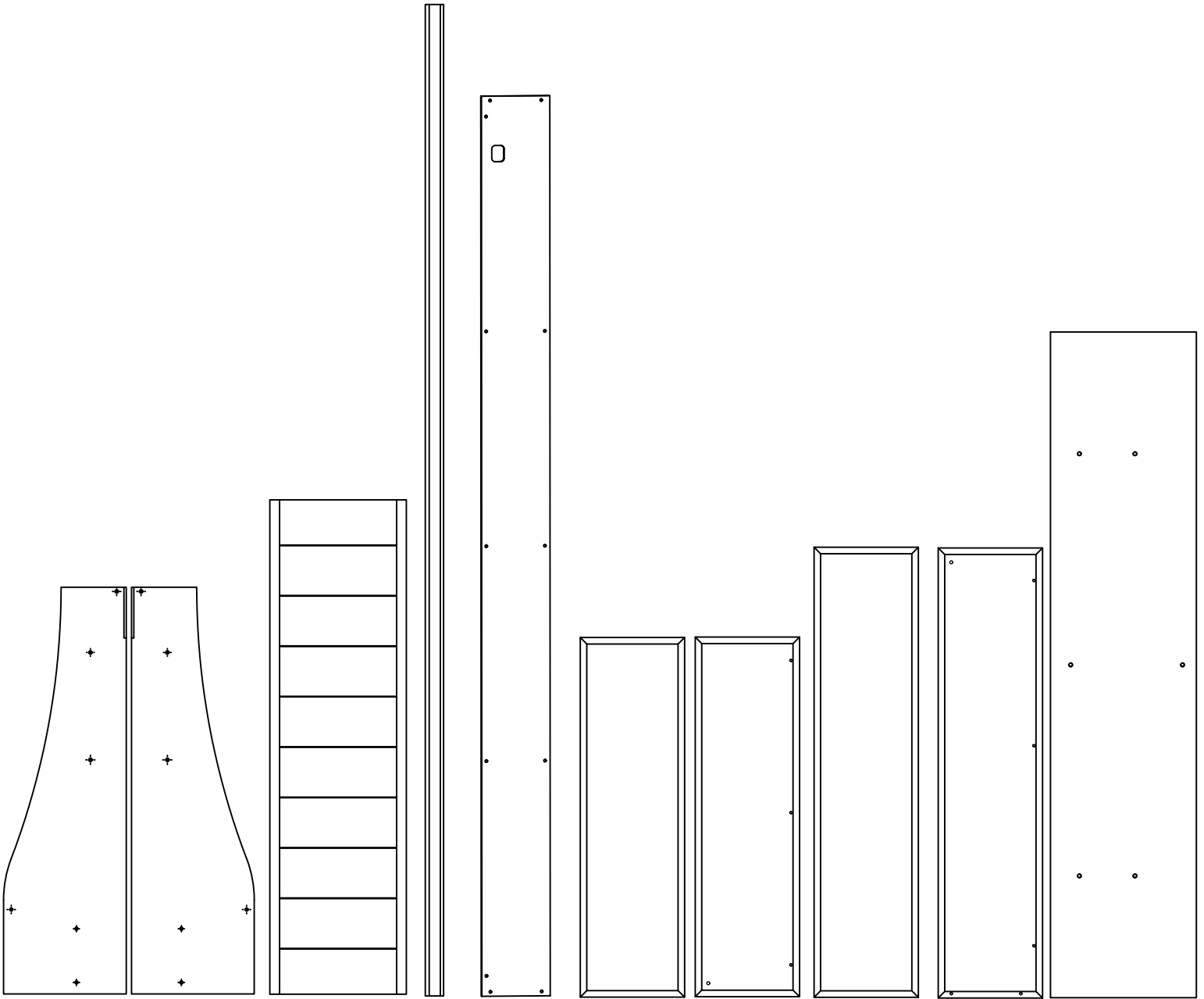


Parts List:



A2

1pcs

A1

1pcs

B

1pcs

C

1pcs

D

1pcs

E1

1pcs

E2

1pcs

F1

1pcs

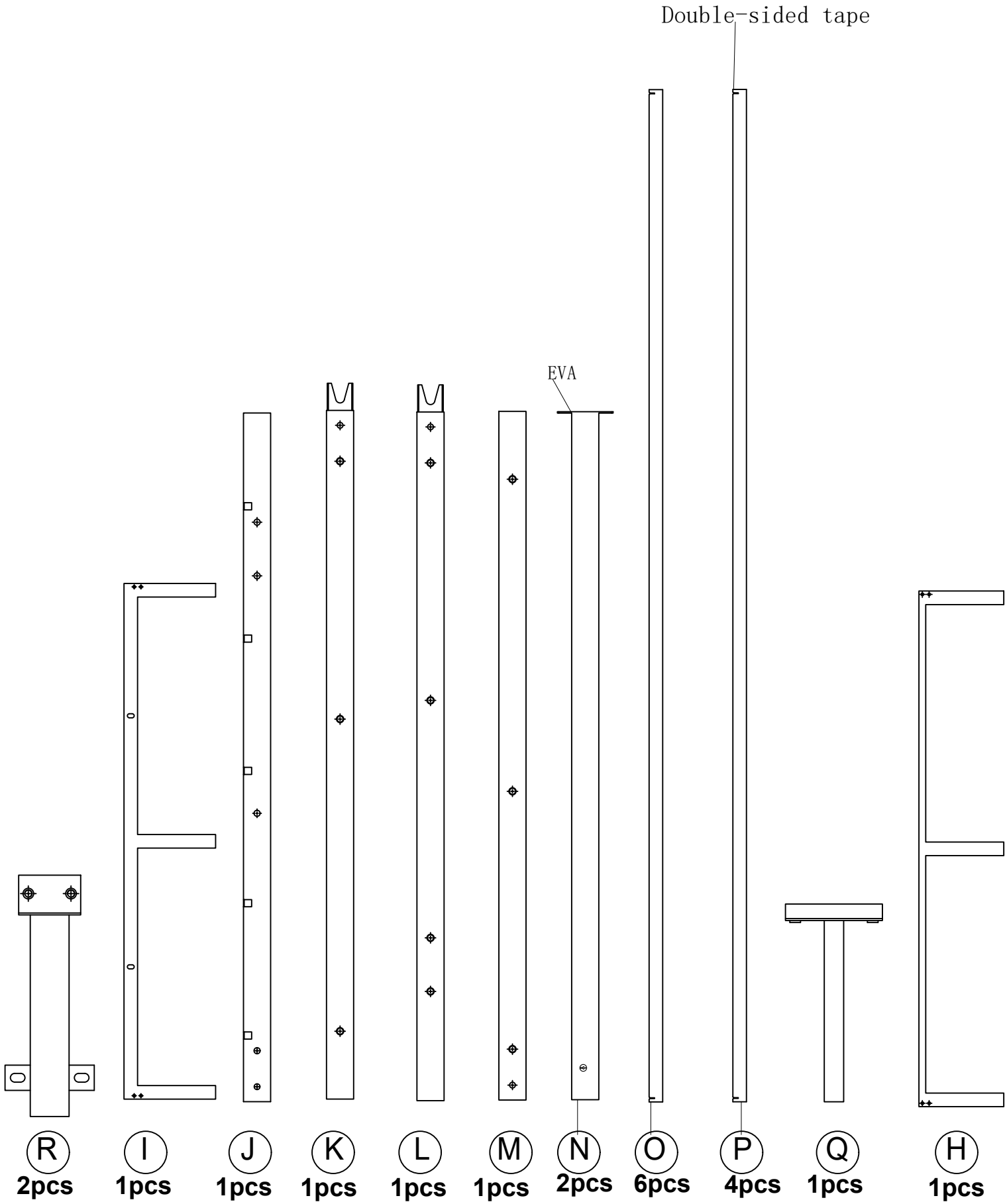
F2

1pcs

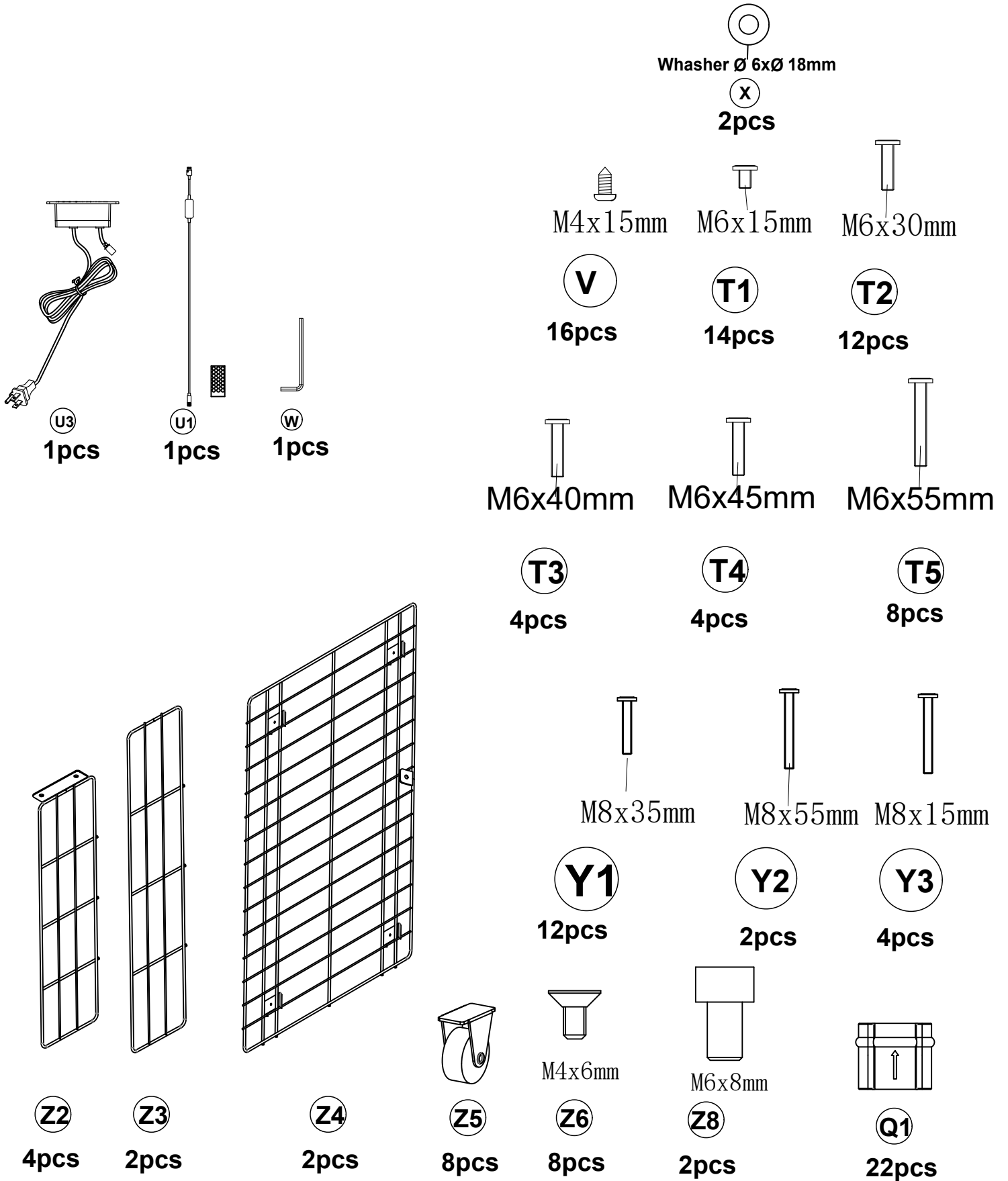
G

2pcs

Parts List:

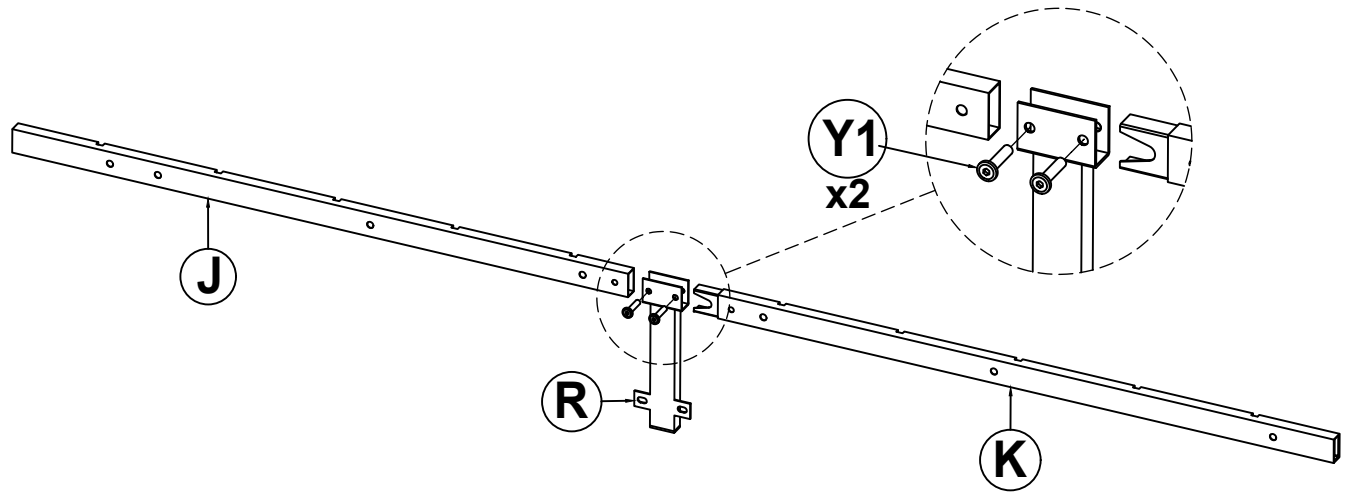


Parts List:

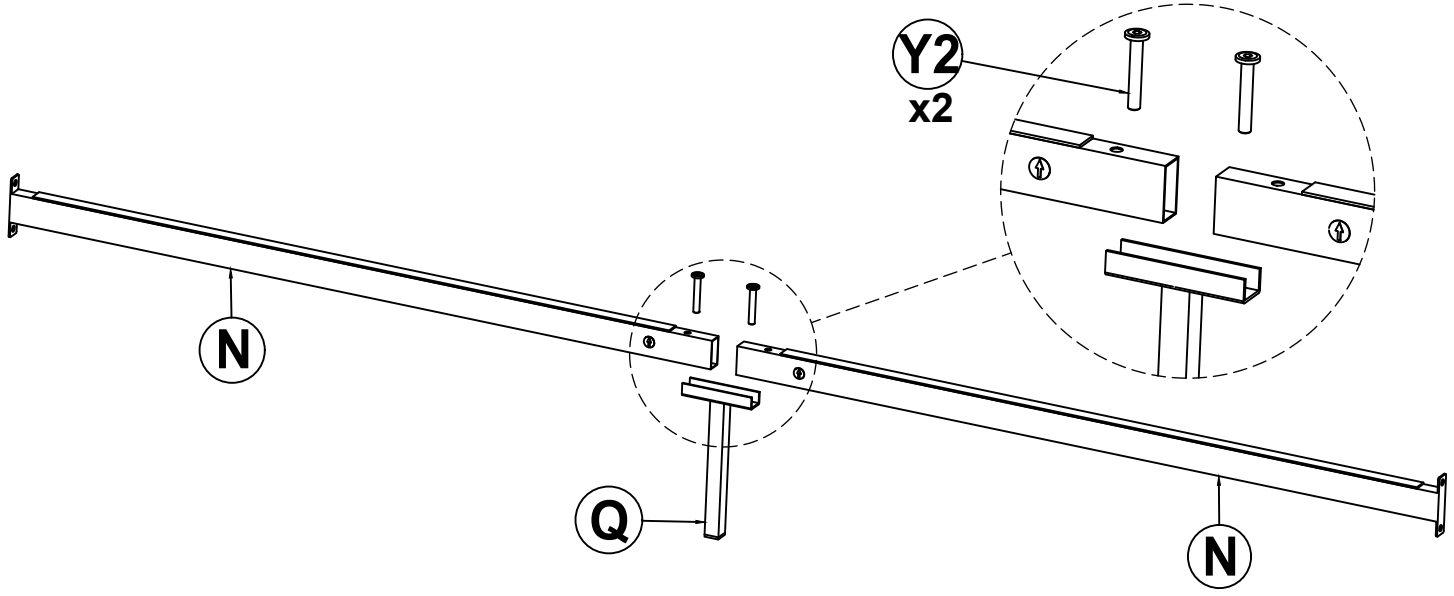


1.1

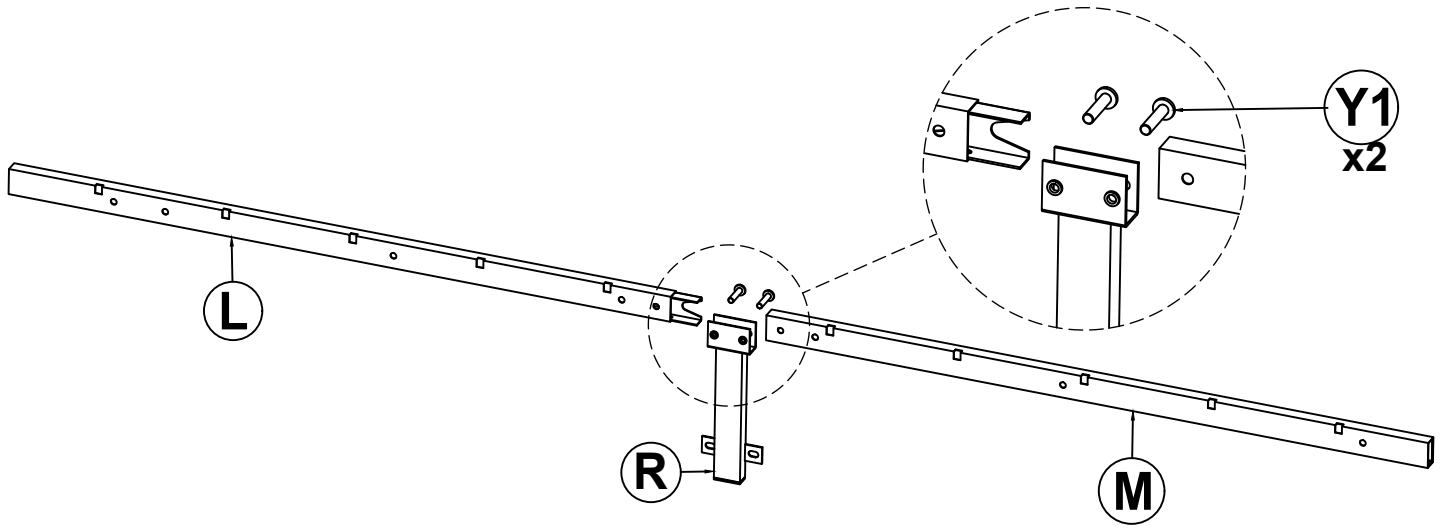
Step 1



1.2

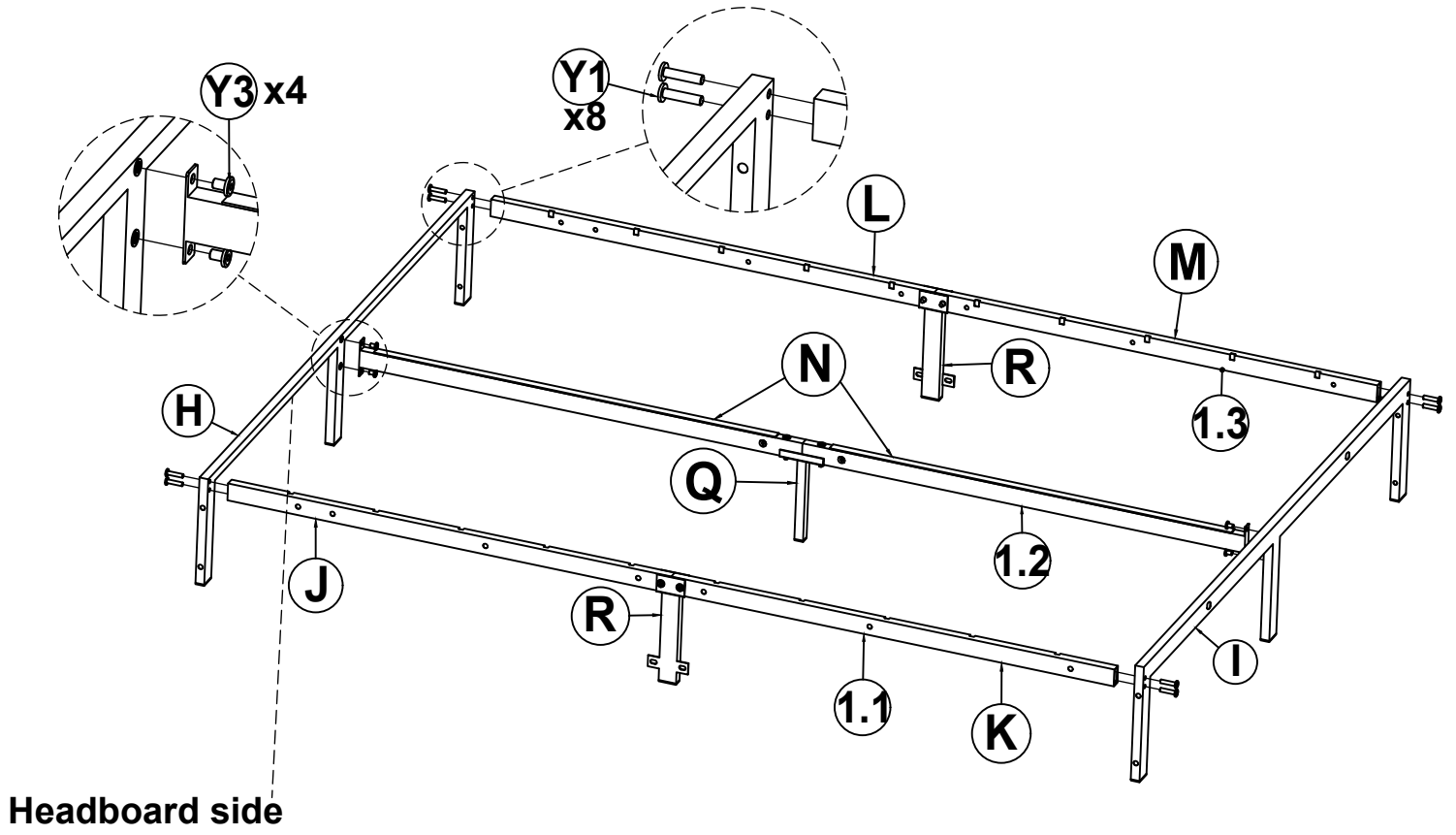


1.3

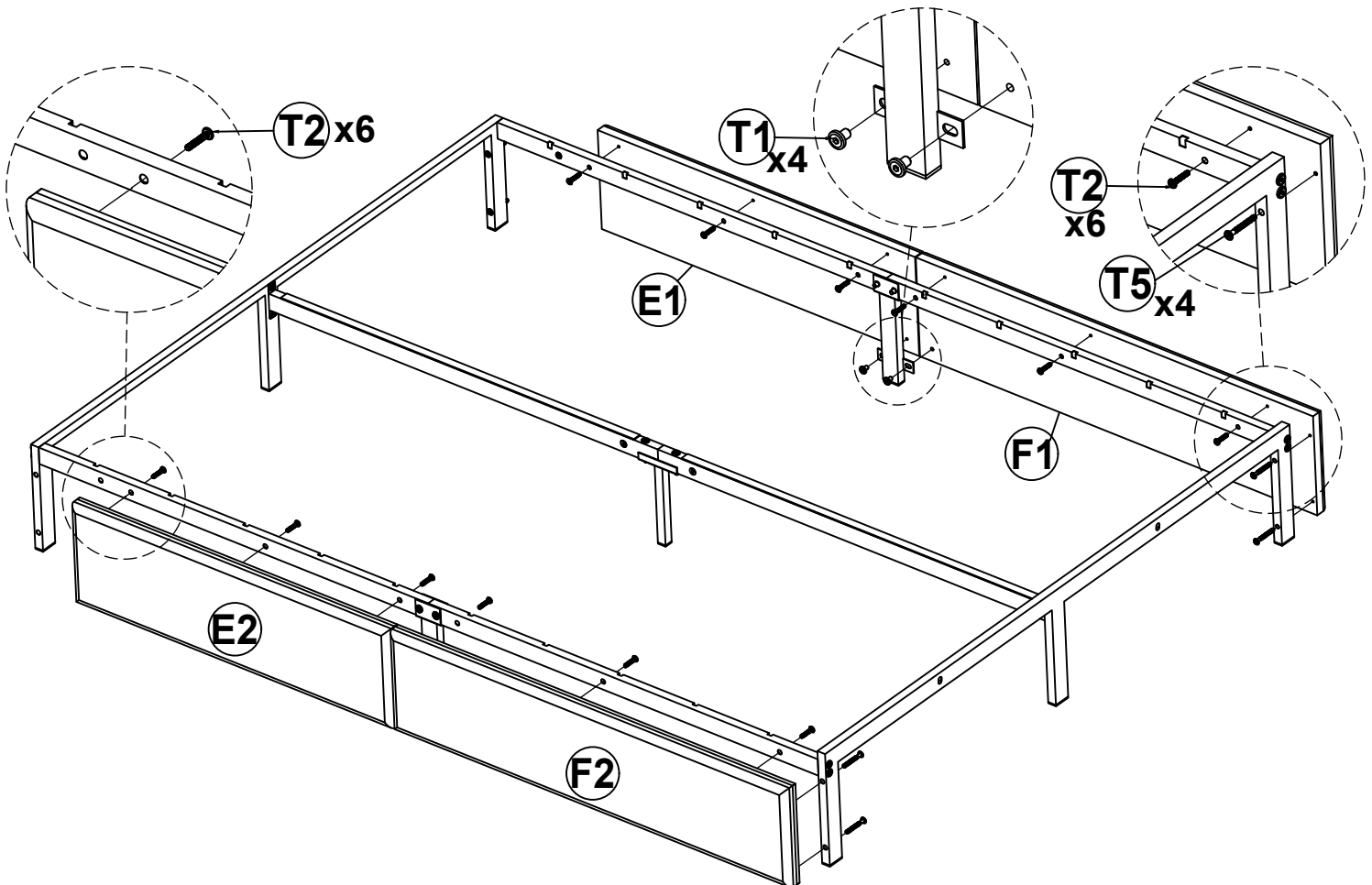


2.1

Step 2

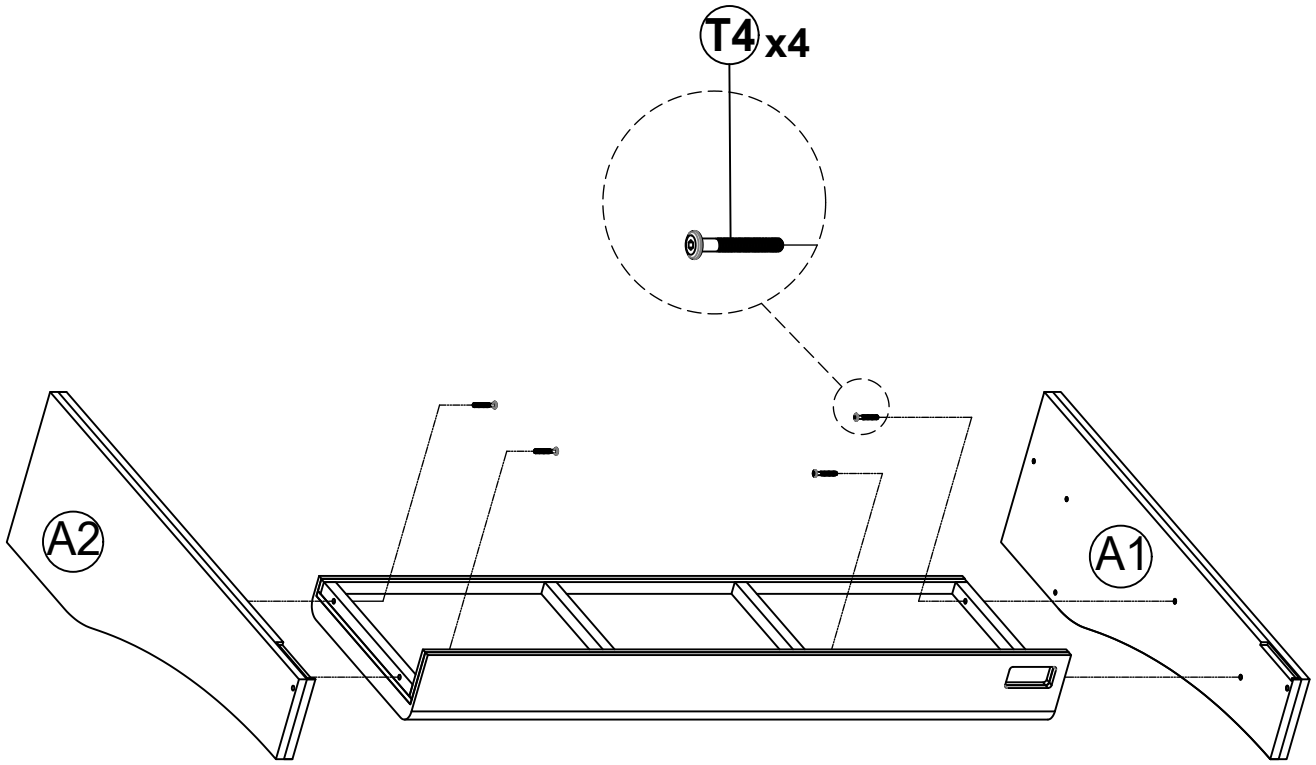


2.2

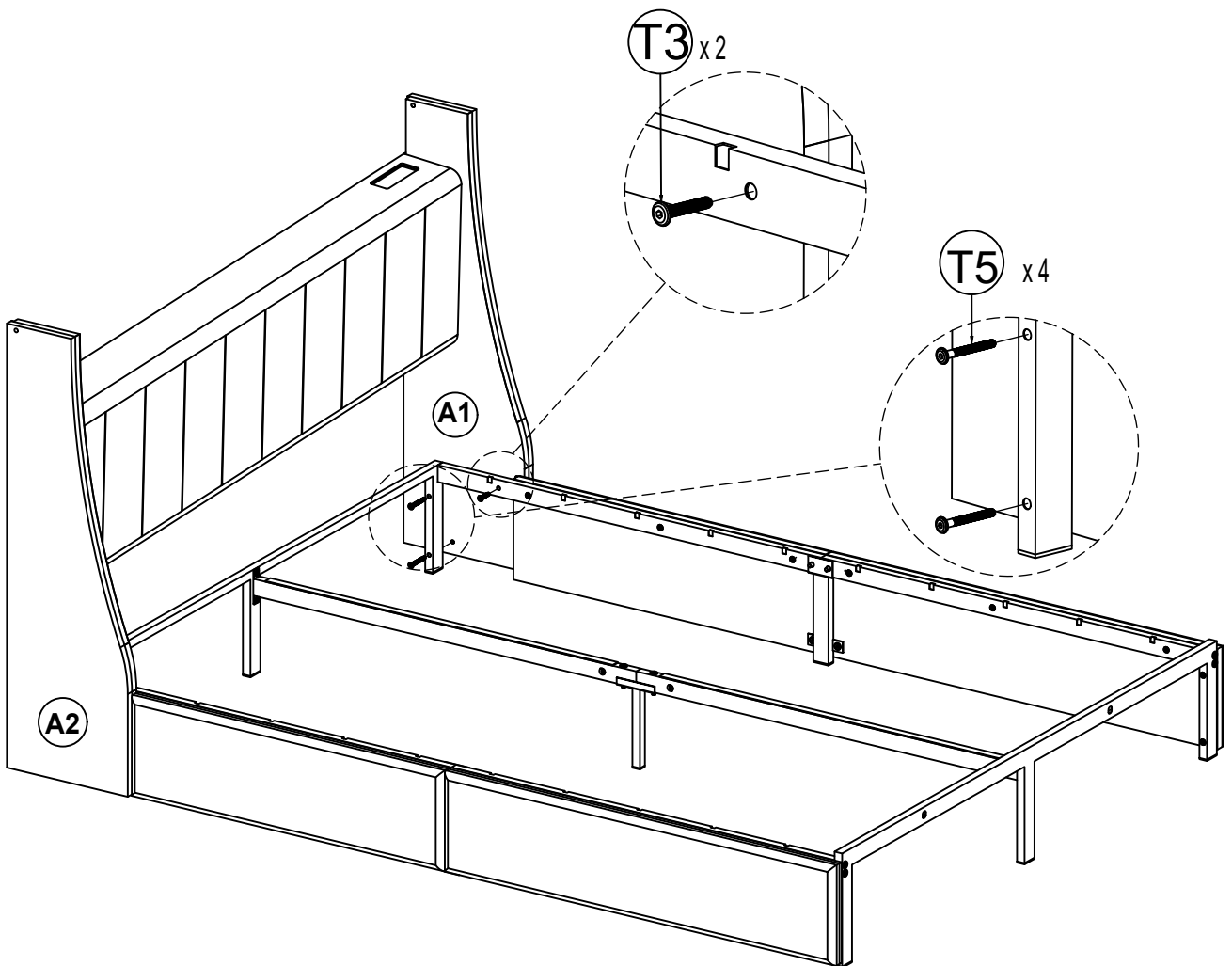


Step 3

3.1

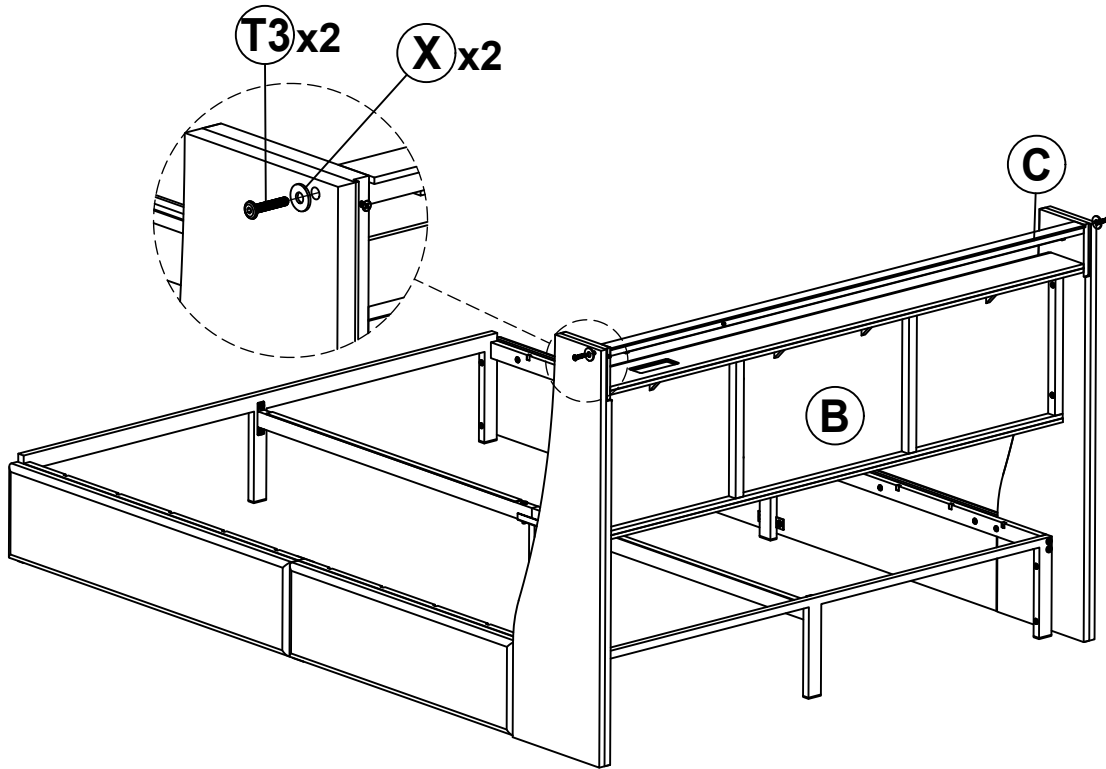


3.2

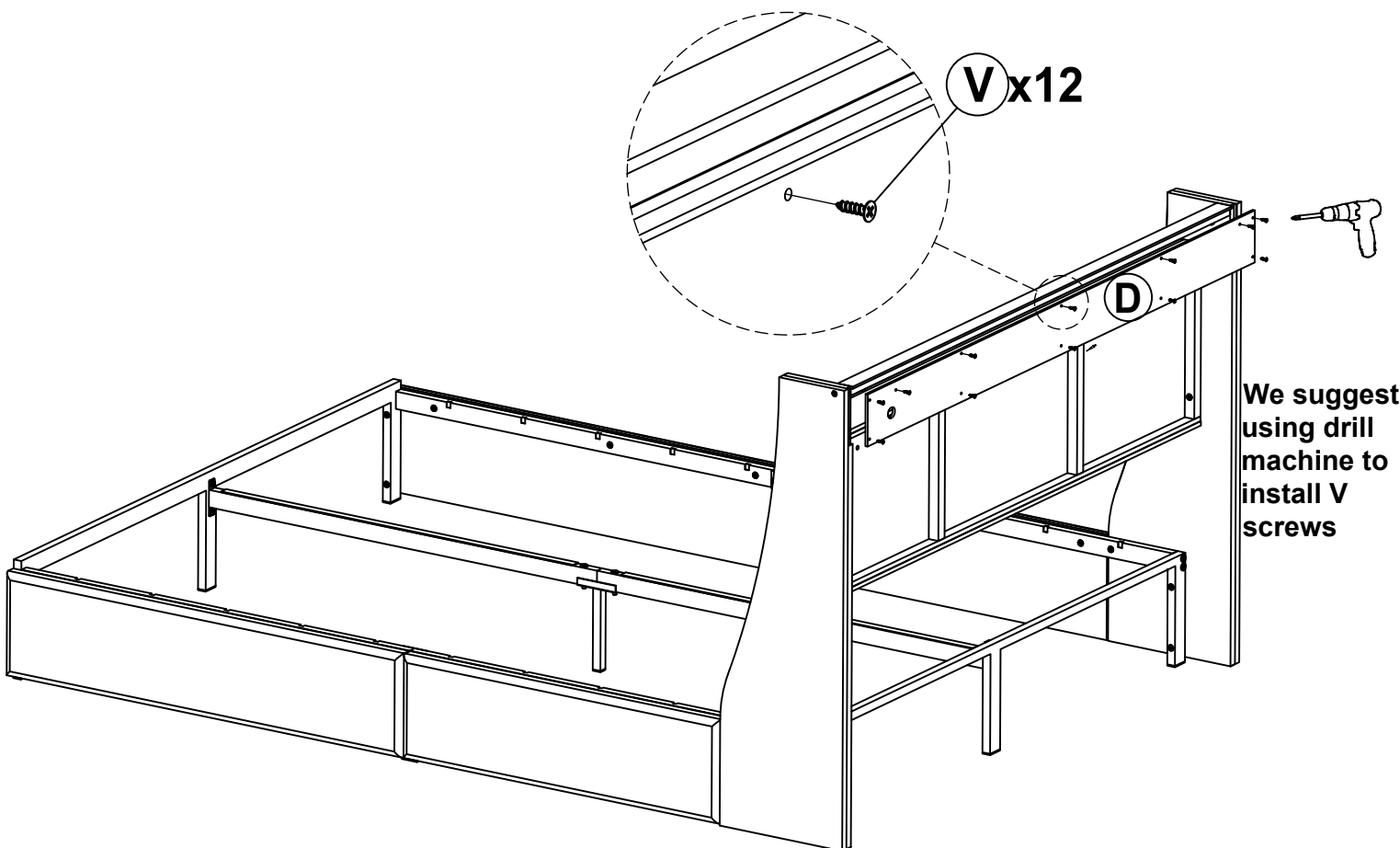


Step 4

4.1

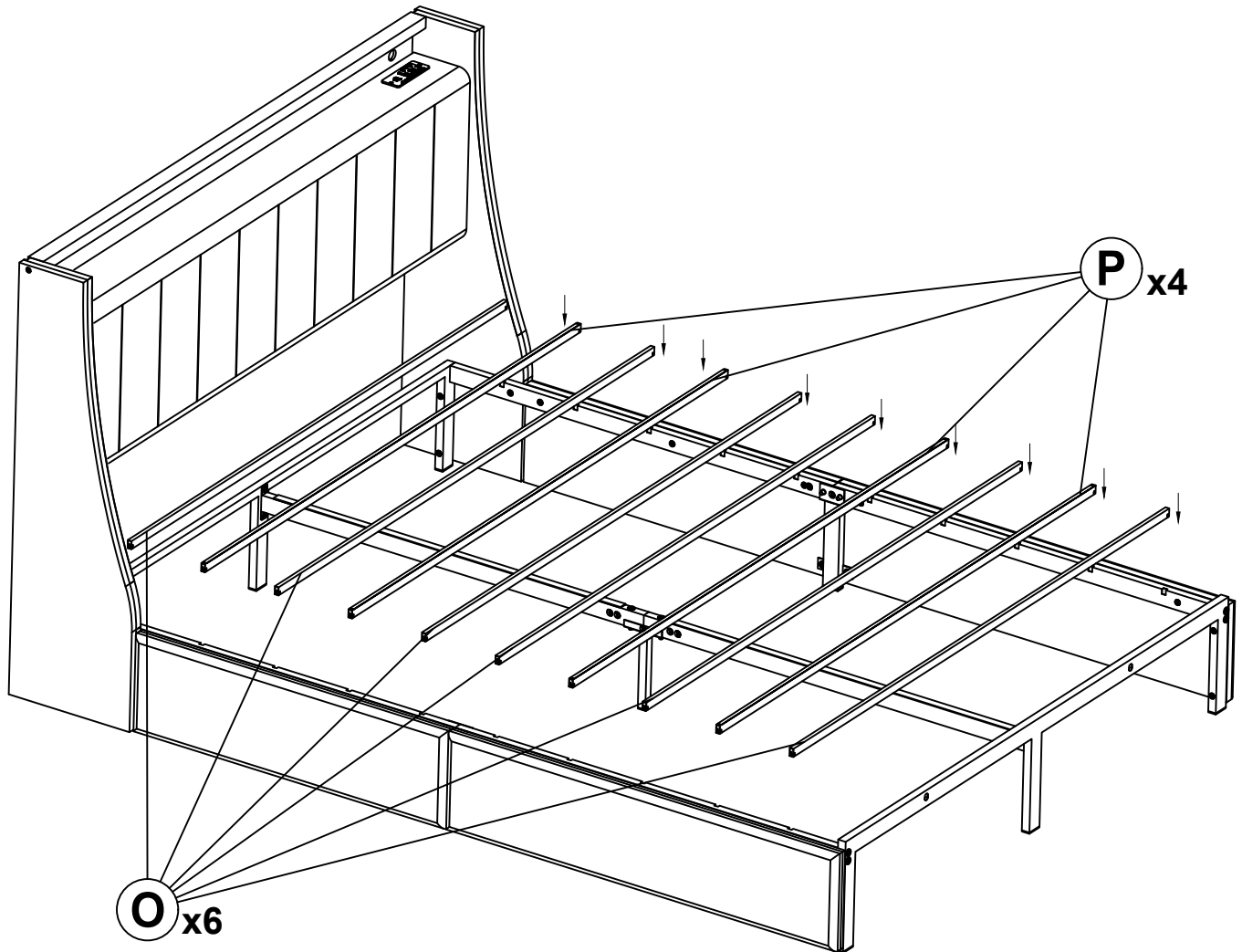


4.2



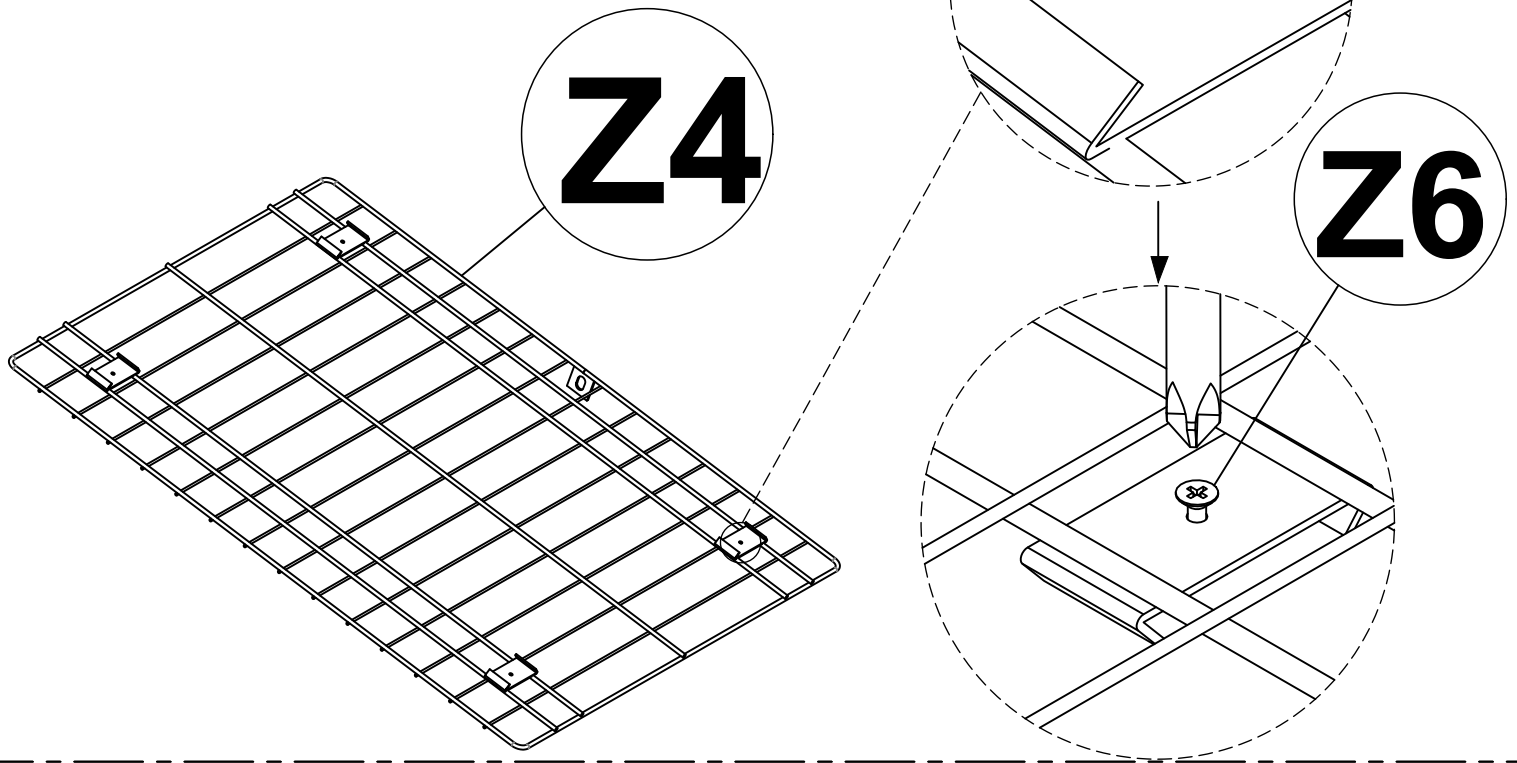
Step 5

Tear off the double-sided adhesive tape before place the mattress.



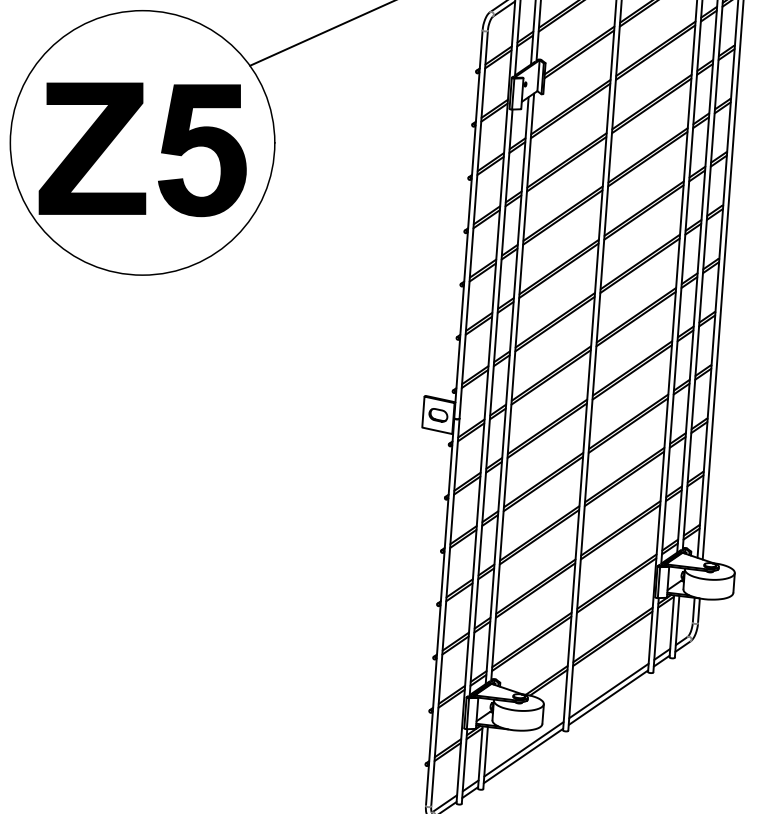
Step 6

we put all the screw in but not tighten, don't let the screws get through all the wheel's holder

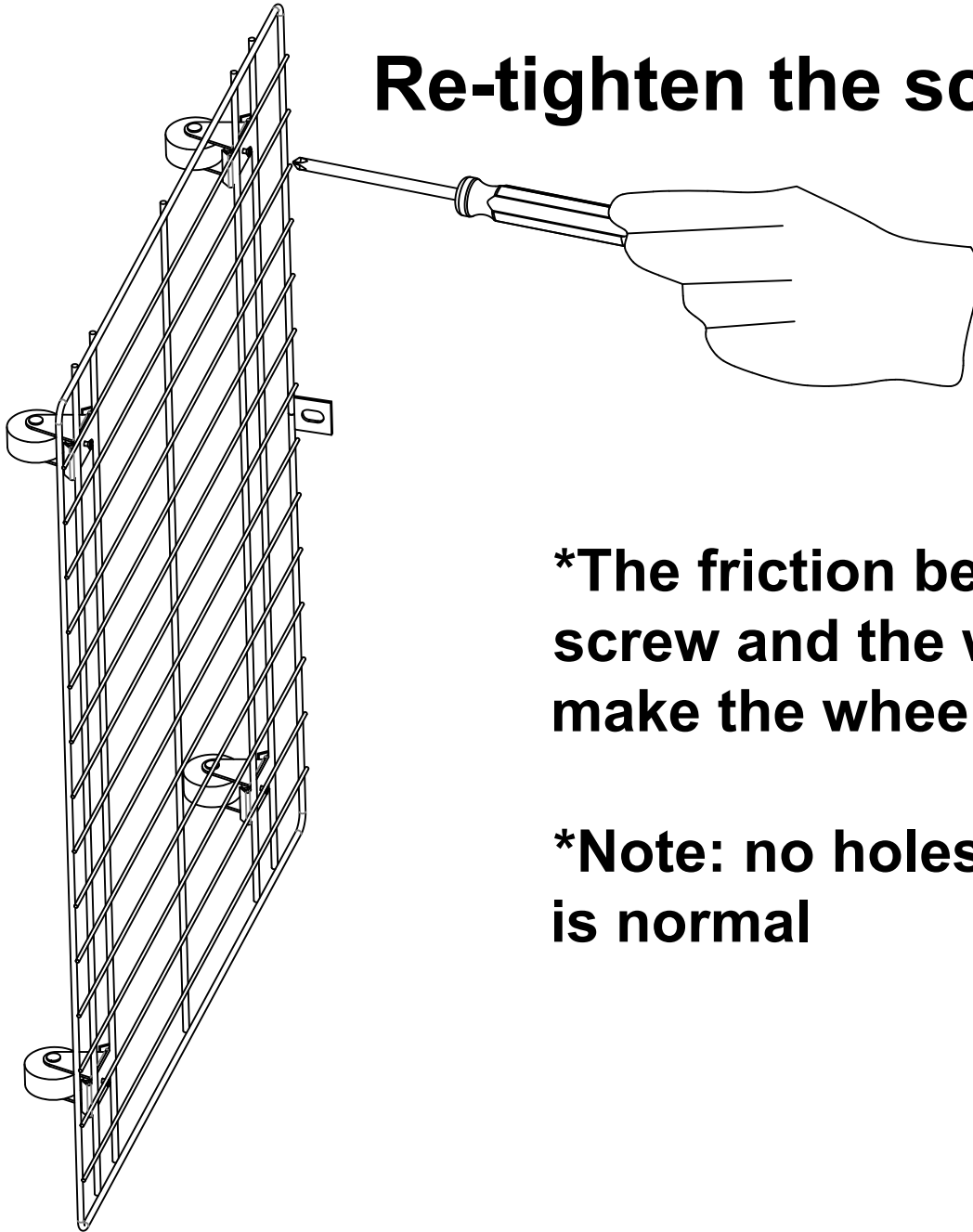


Step 7

Slide in



Re-tighten the screws

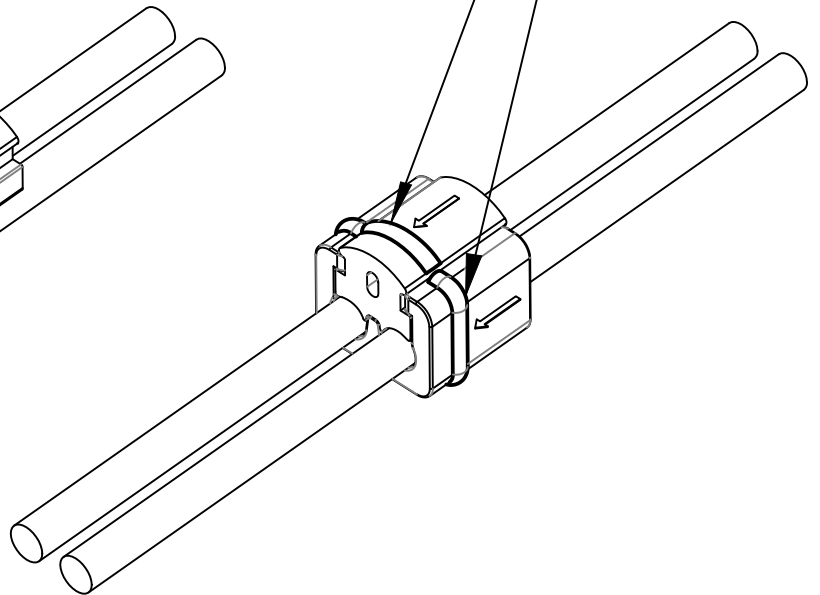
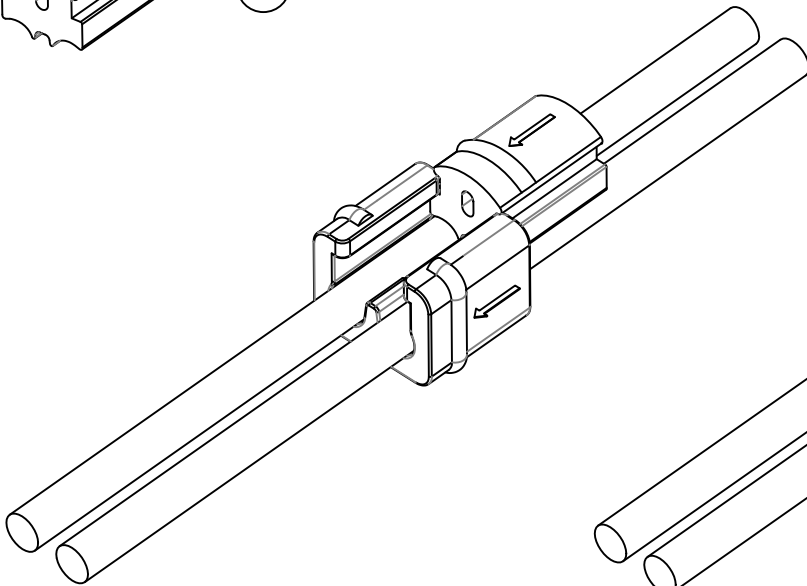
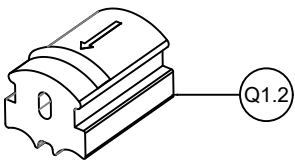
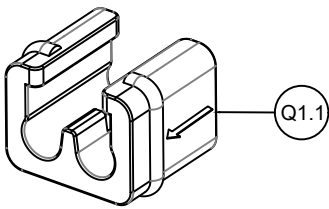


***The friction between the screw and the wheels will make the wheels can be holded**

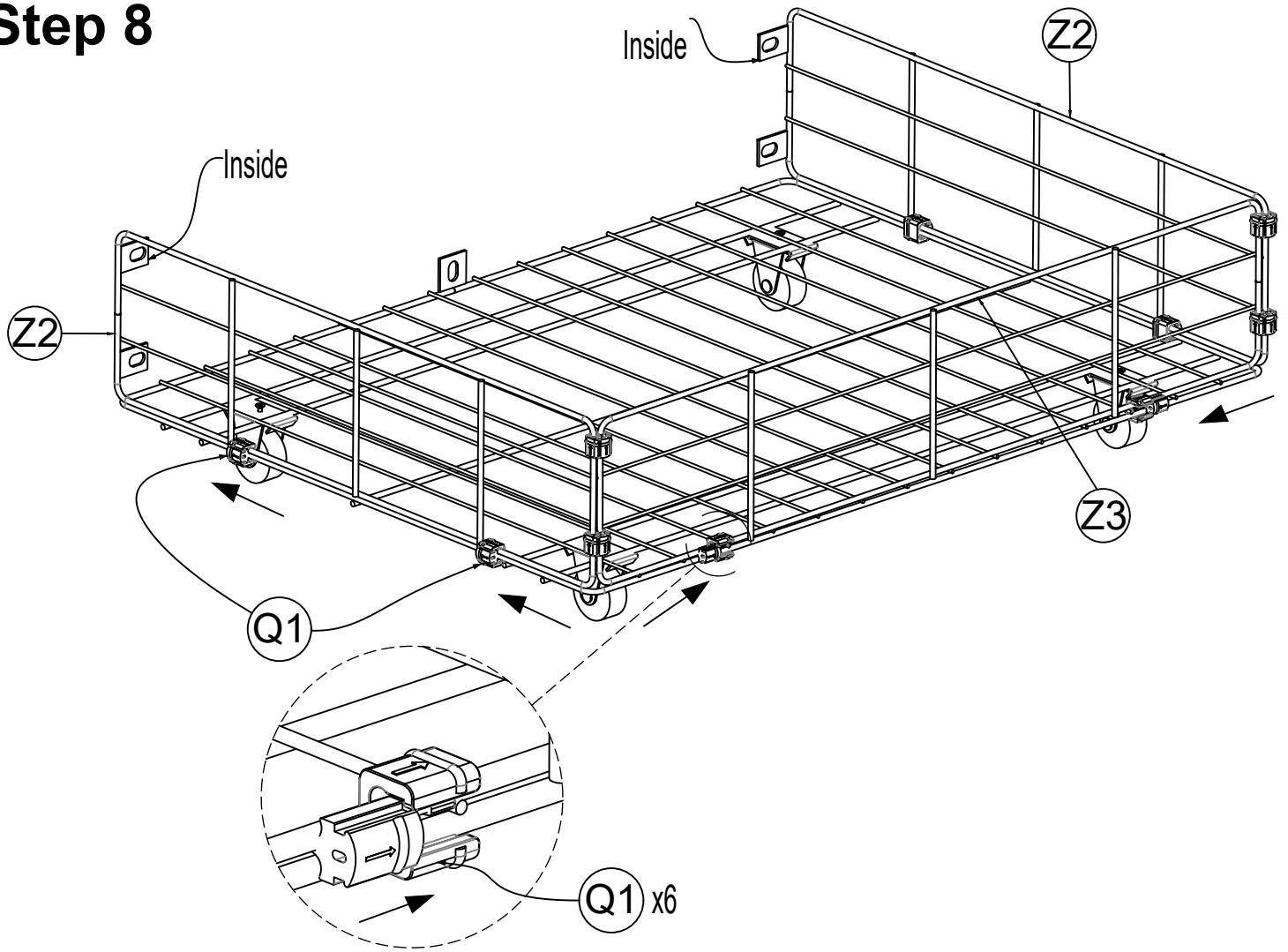
***Note: no holes on the wheels is normal**

Detailed assembly instructions Q1

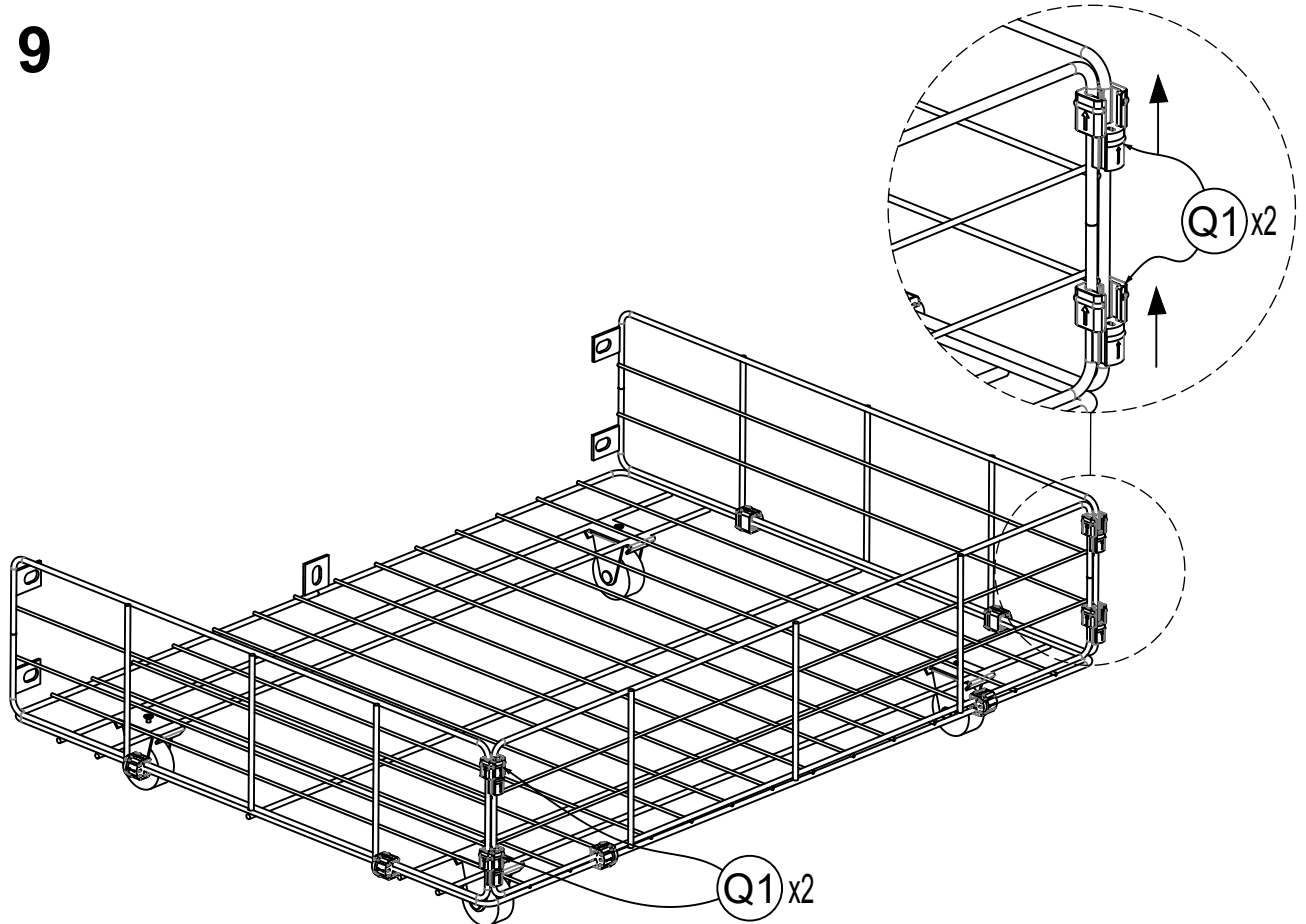
**these two
lines on Q1.1
and Q1.2 need
to be matched**



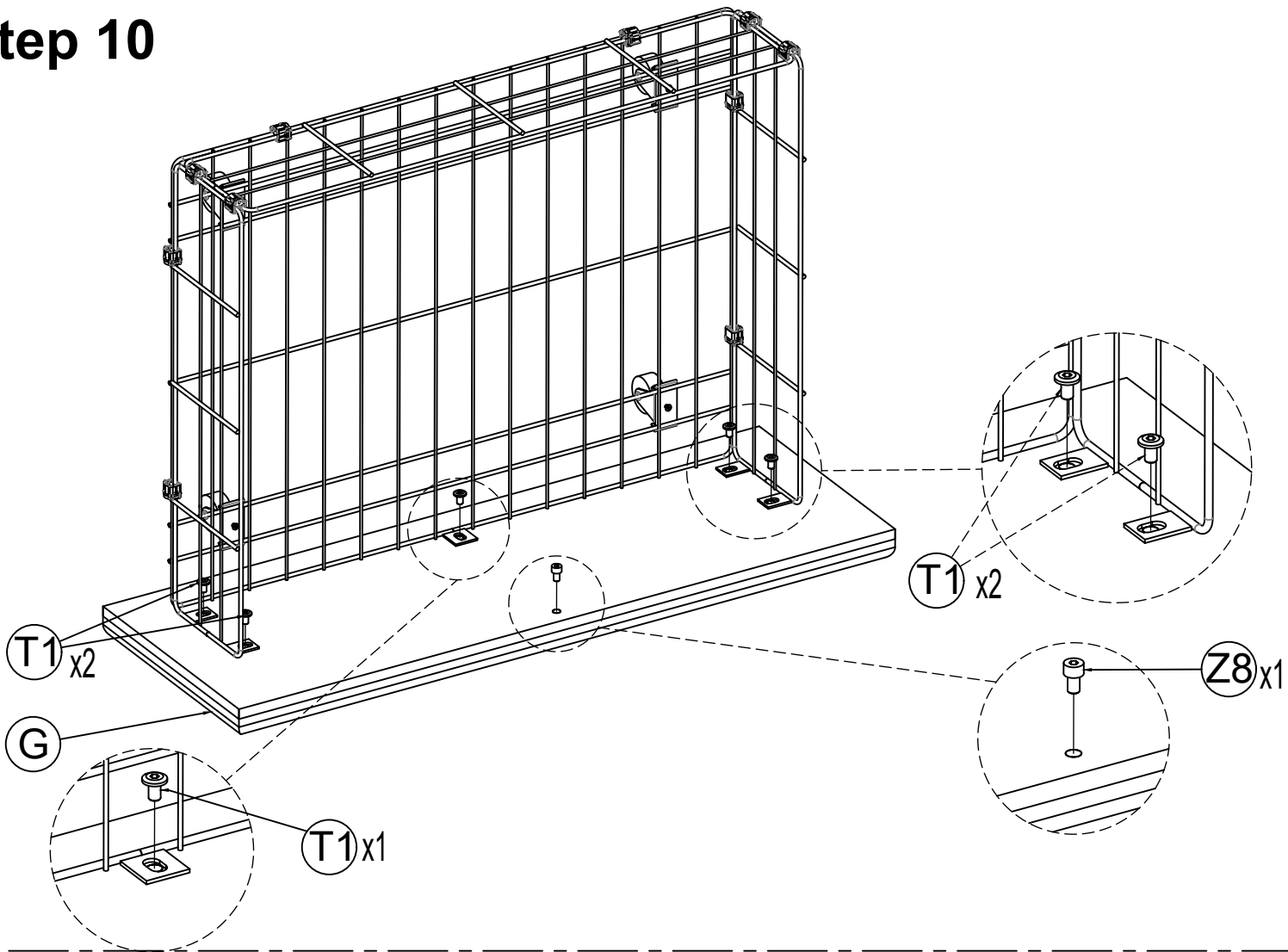
Step 8



Step 9

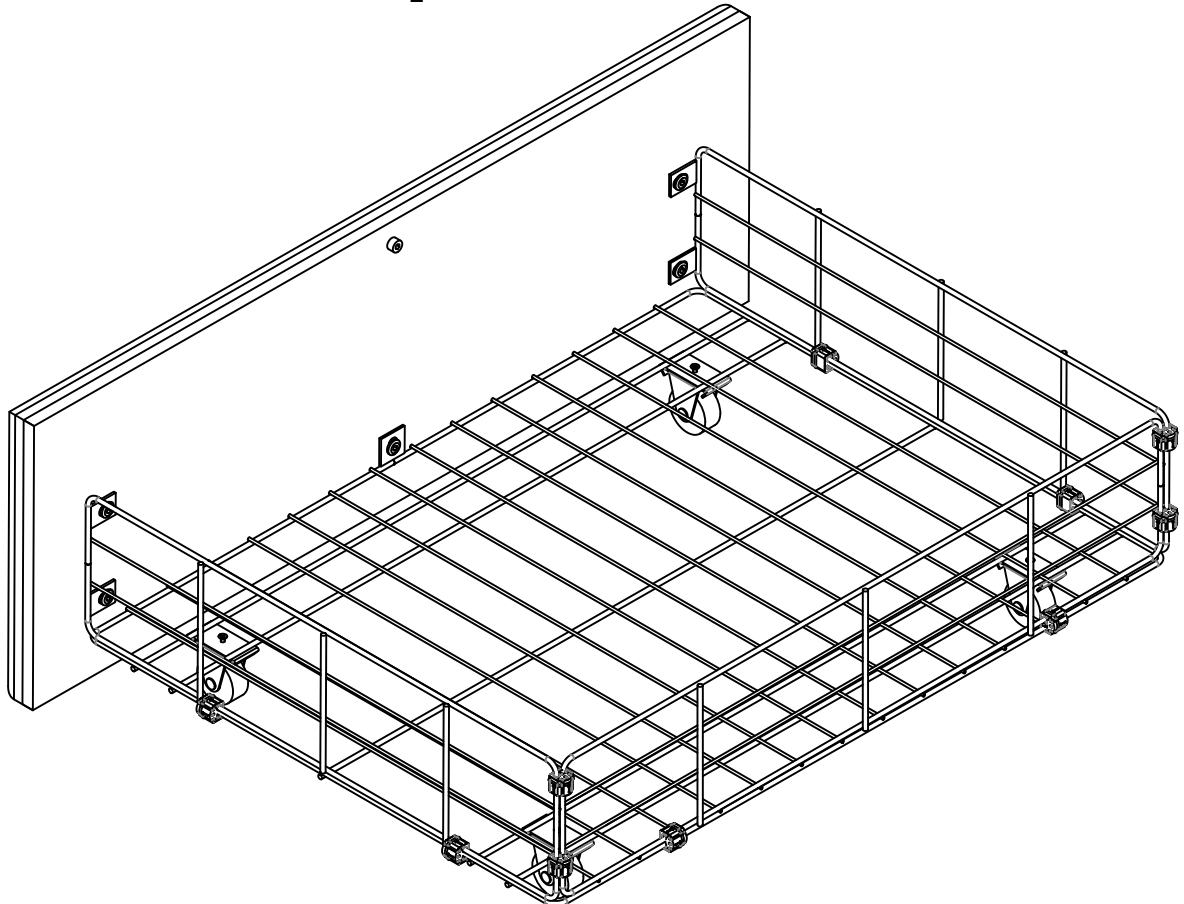


Step 10

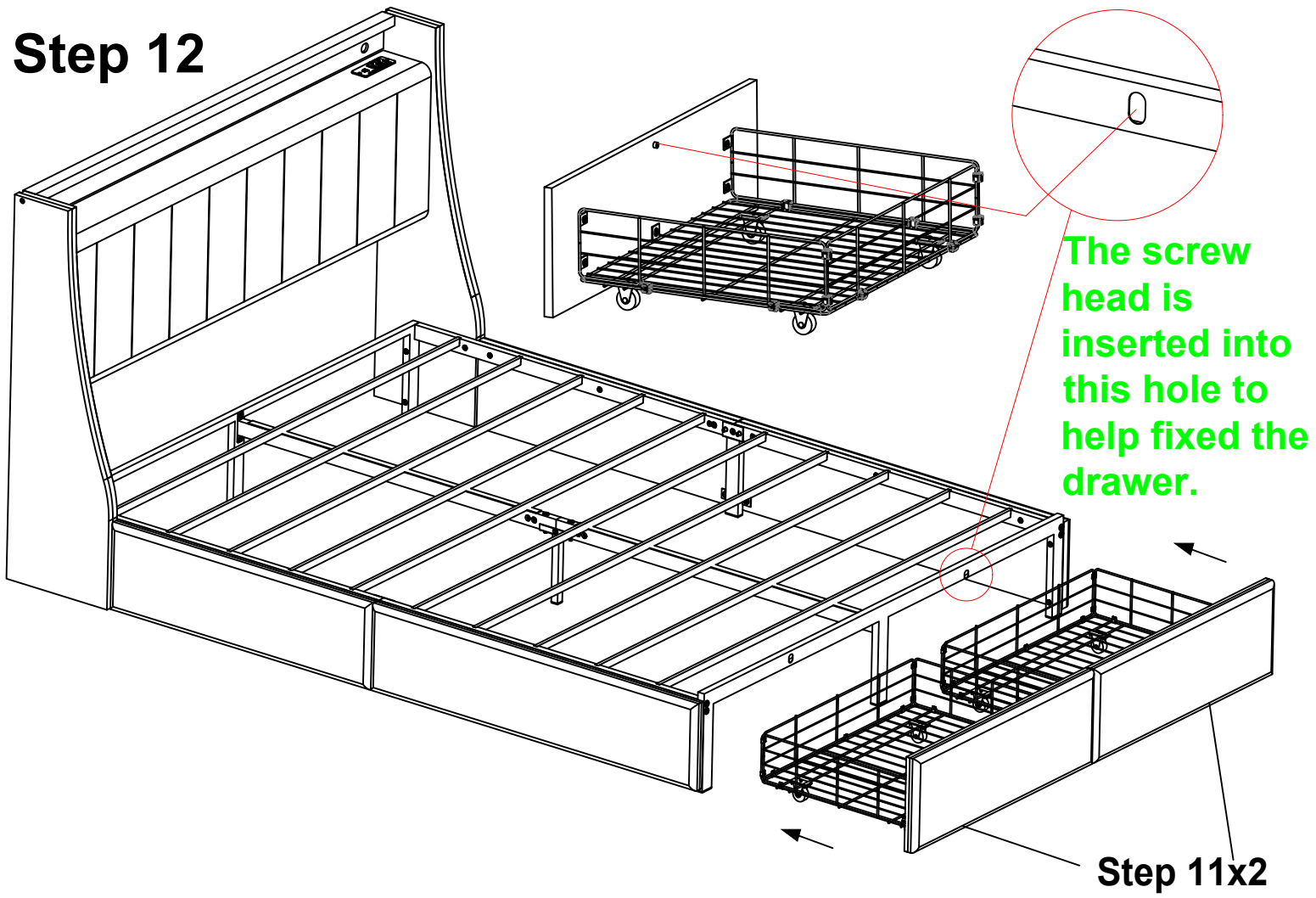


Step 11

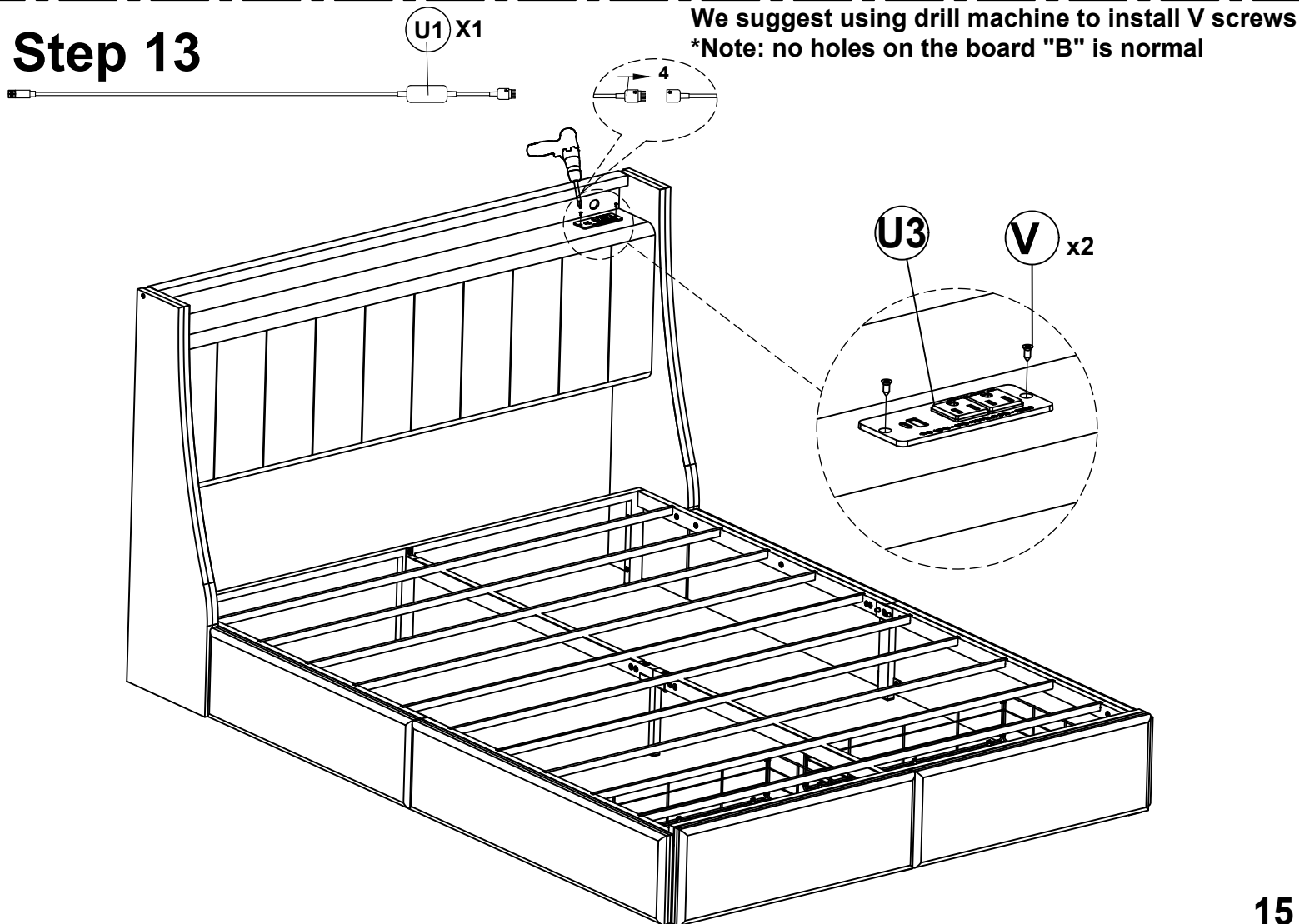
2pcs



Step 12



Step 13



REMOTE CONTROL

