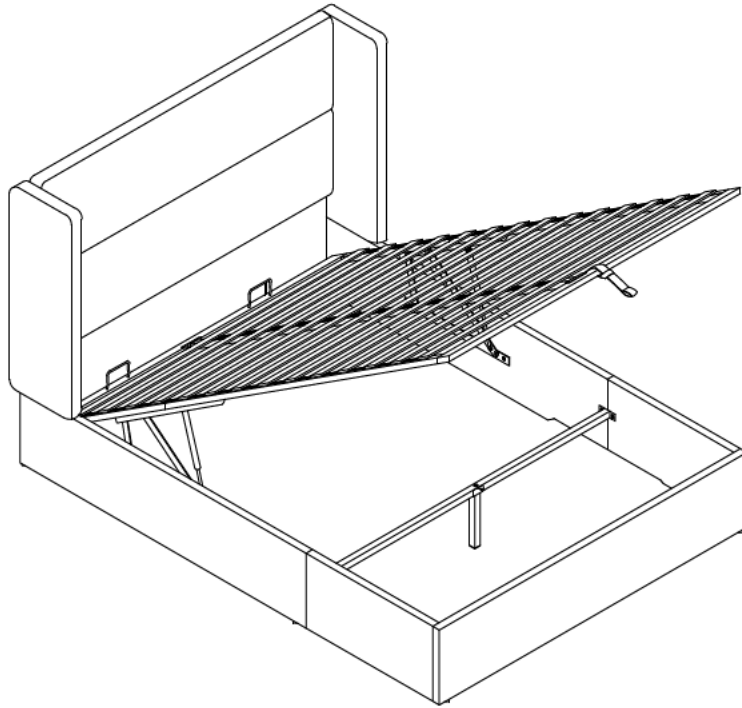
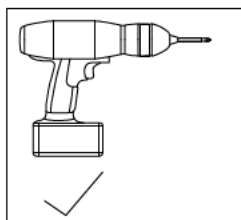


STANDARD BED

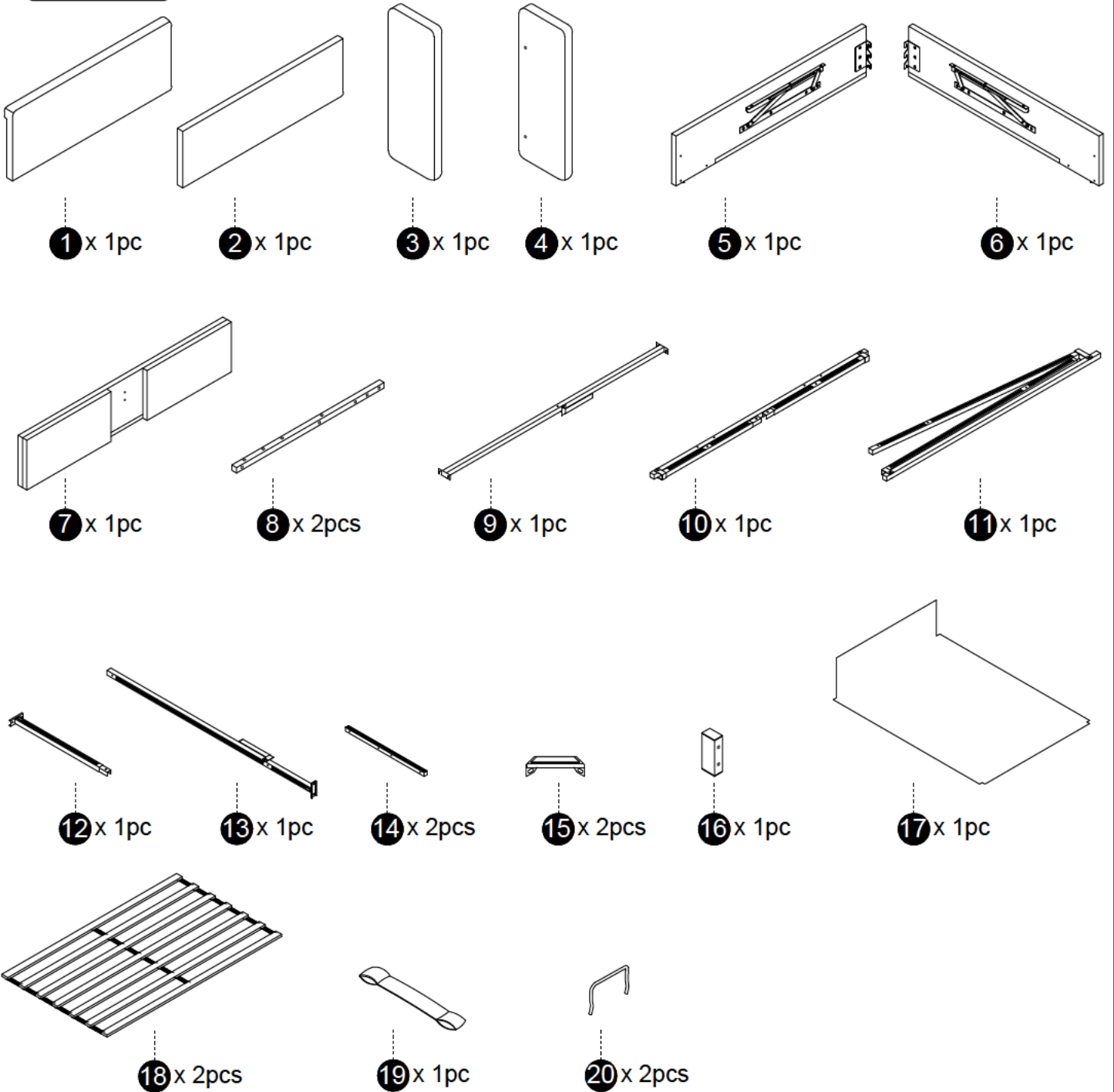


IMPORTANT NOTE

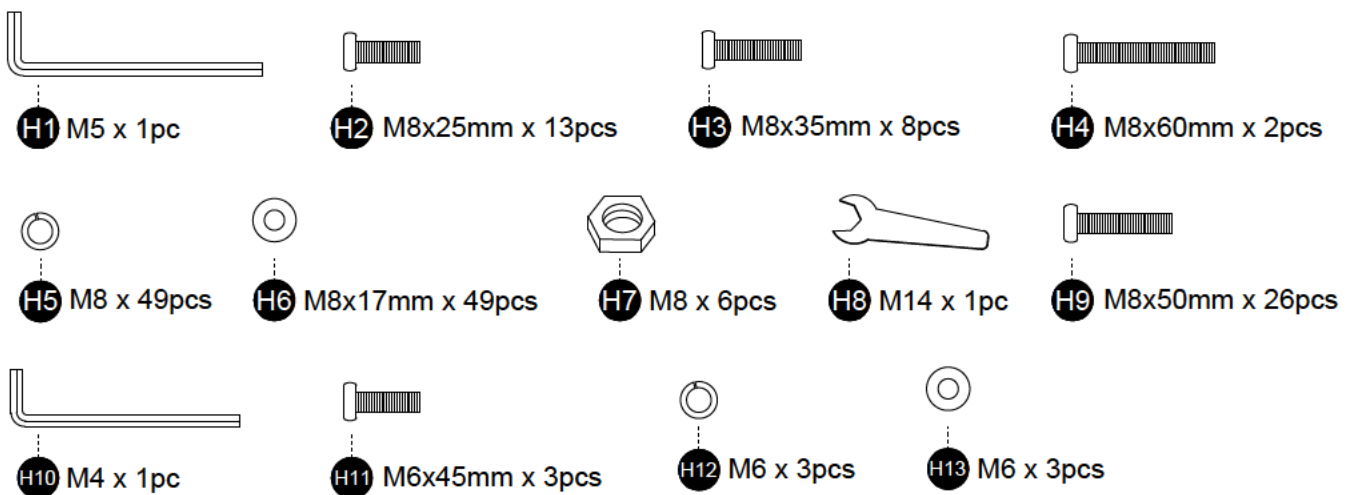
1. FOR THE PROTECTION OF YOUR FURNITURE, PLACE ALL PARTS ON A CLEAN AND SMOOTH SURFACE TO PREVENT ANY DAMAGE.
2. DO NOT USE POWER TOOLS TO ASSEMBLE THE BED.
3. PLEASE PERIODICALLY CHECK ALL FITTINGS AND RE-TIGHTEN AS NECESSARY.
4. DO NOT USE THE BED UNLESS ALL BOLTS AND SCREWS ARE FIRMLY SECURED.
6. YOU CAN ASSEMBLE IT WITH OUR PACKAGING TOOLS OR WITH A.



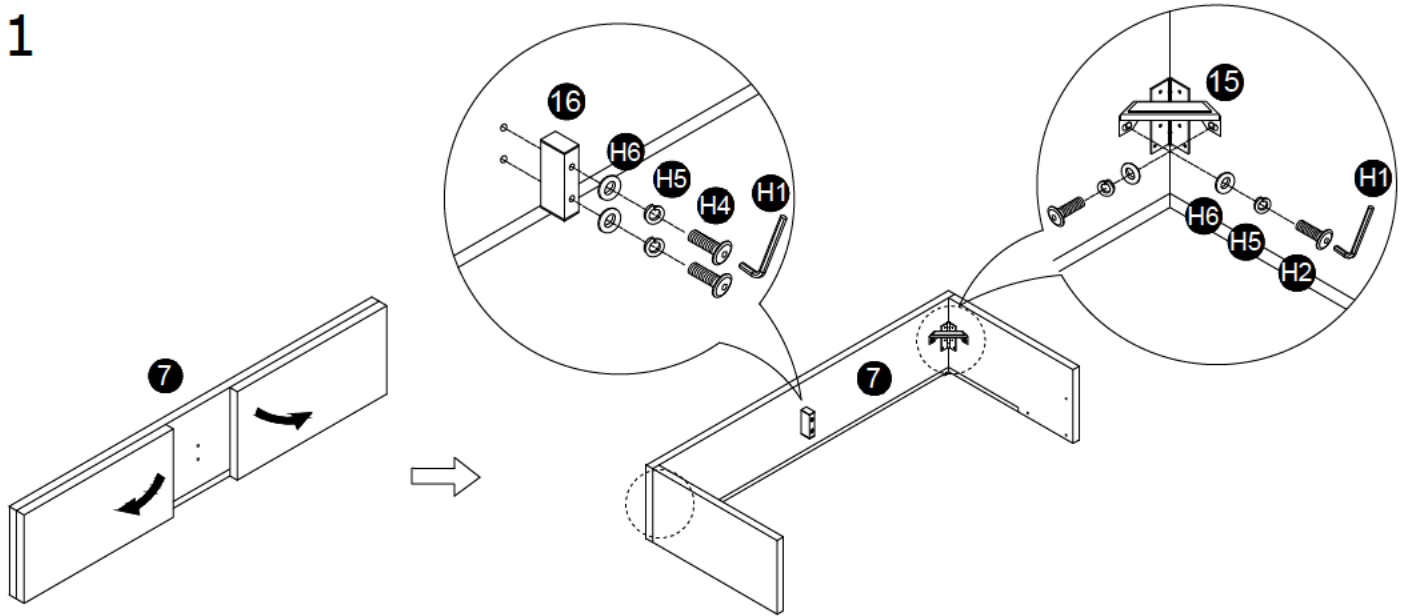
PART LIST



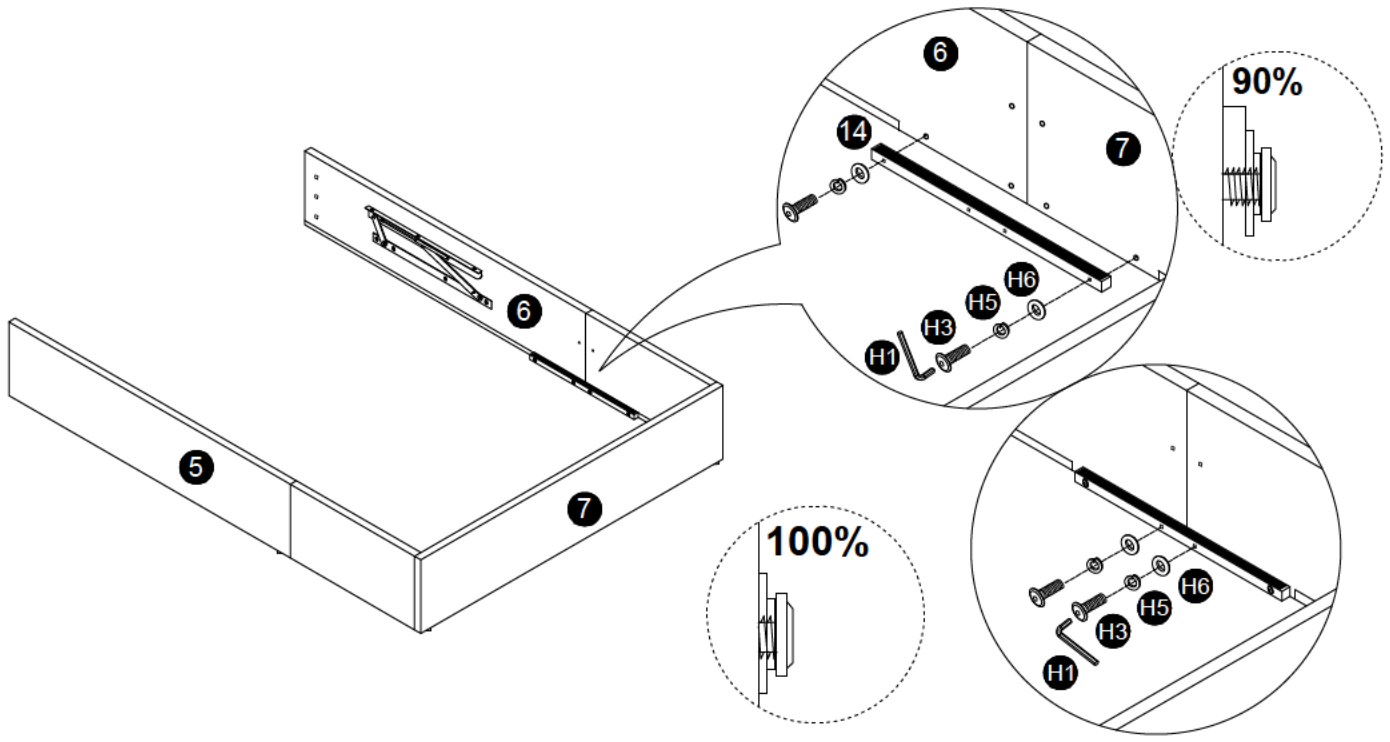
HARDWARE LIST



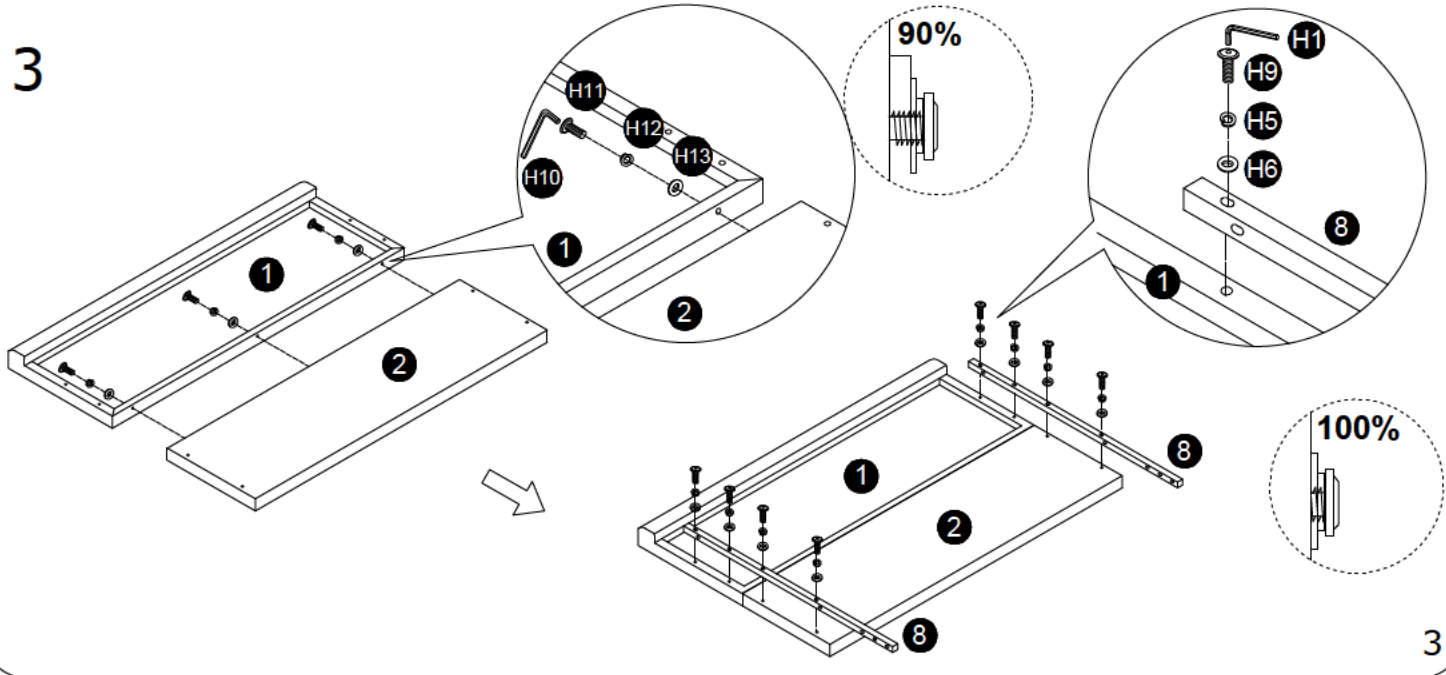
1



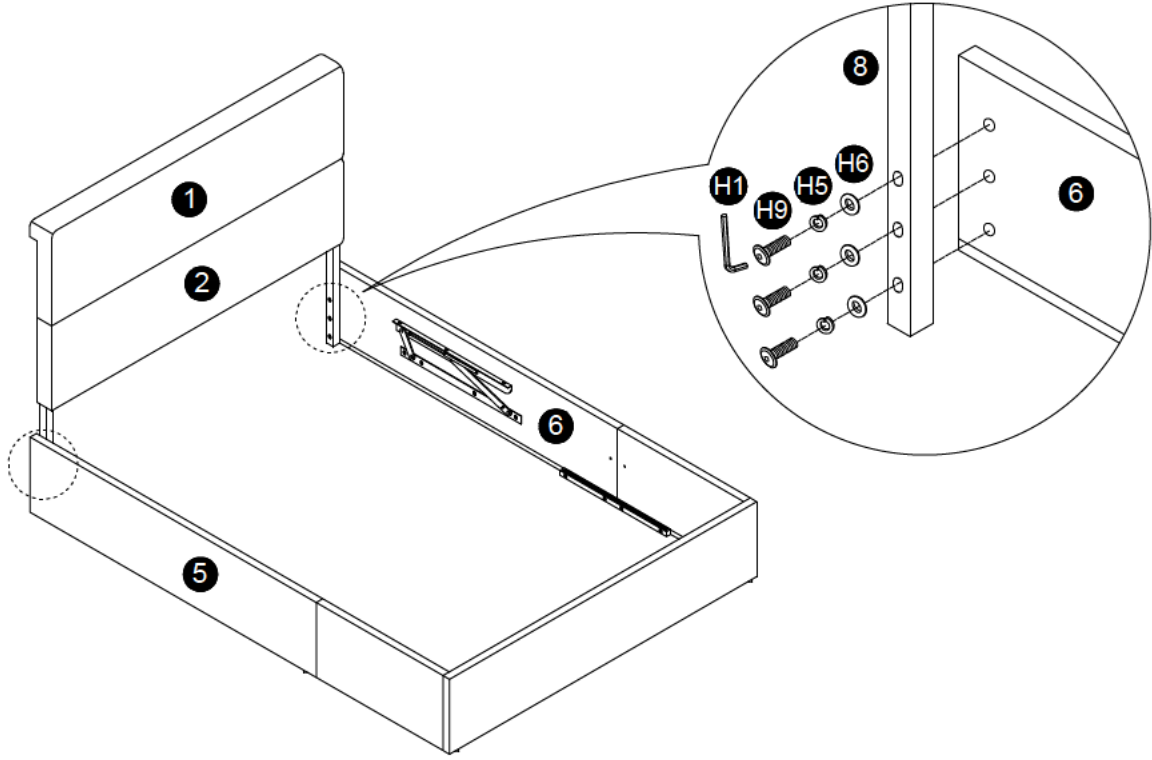
2



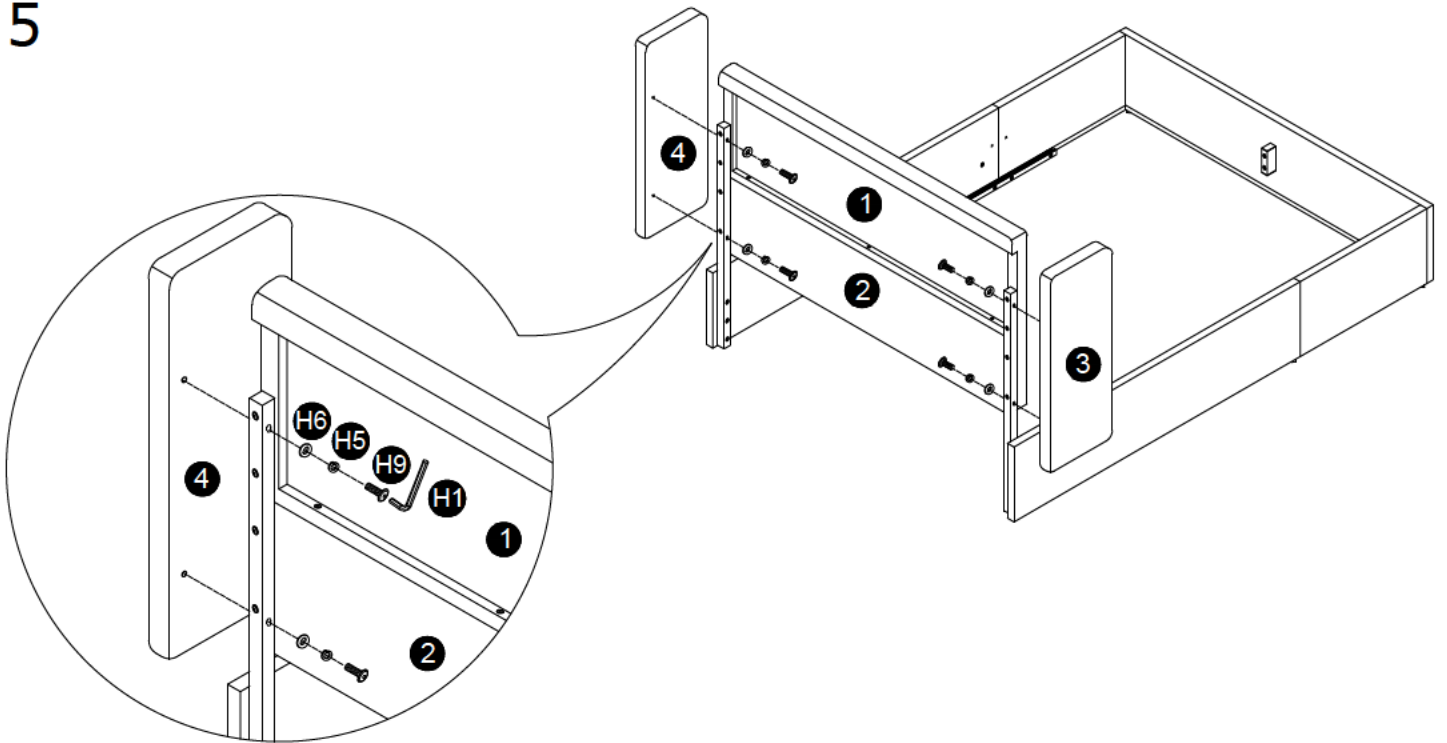
3



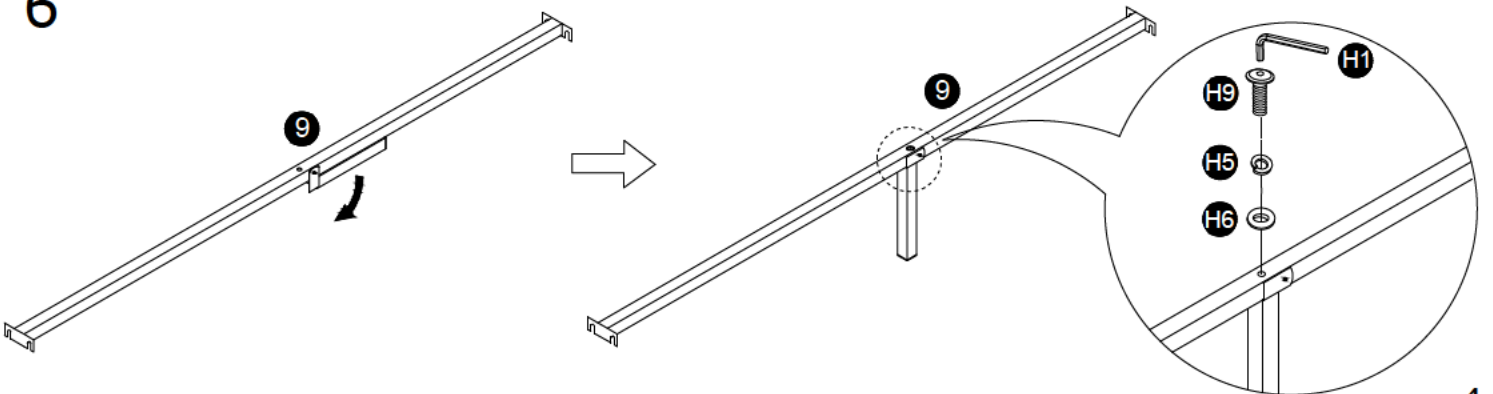
4



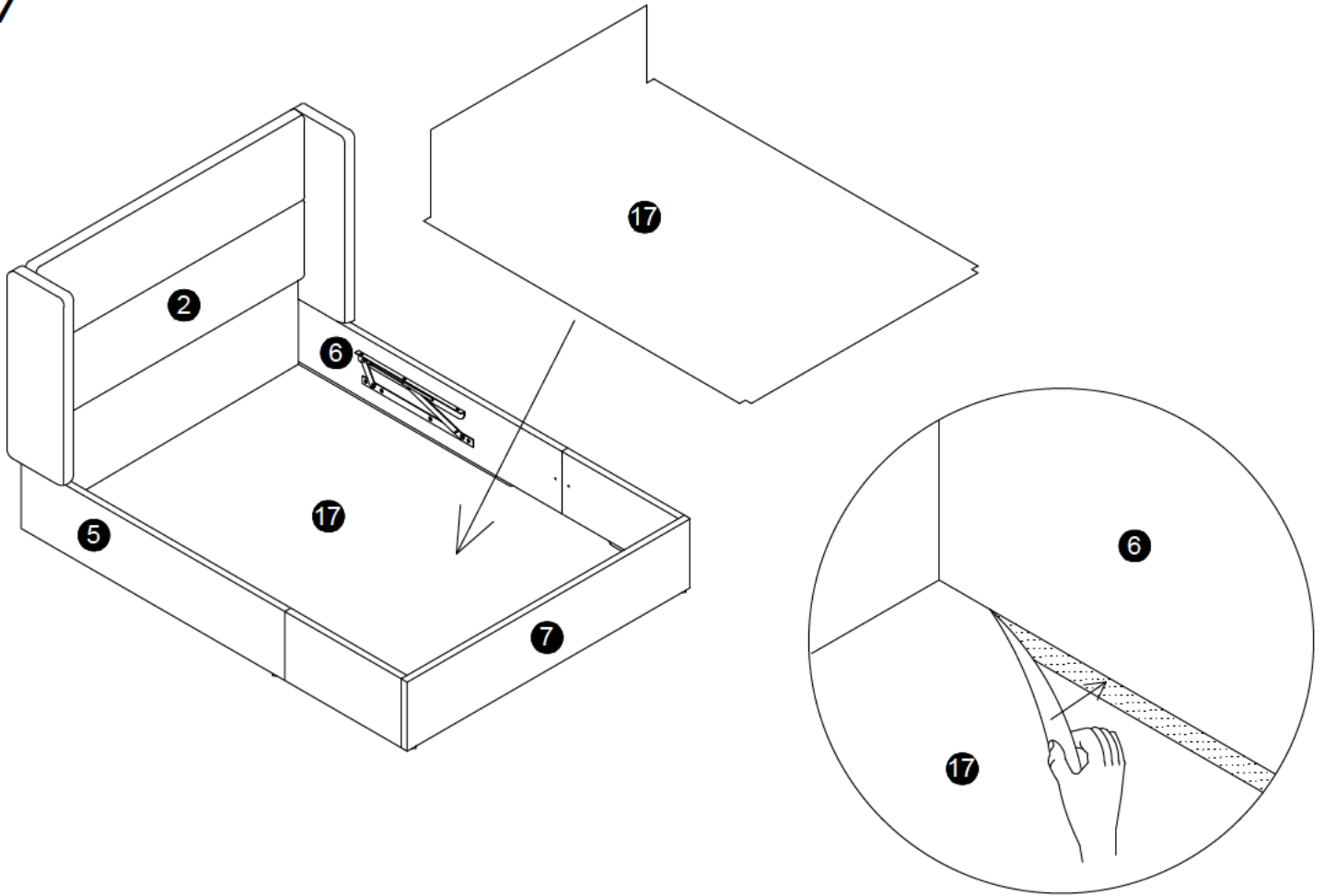
5



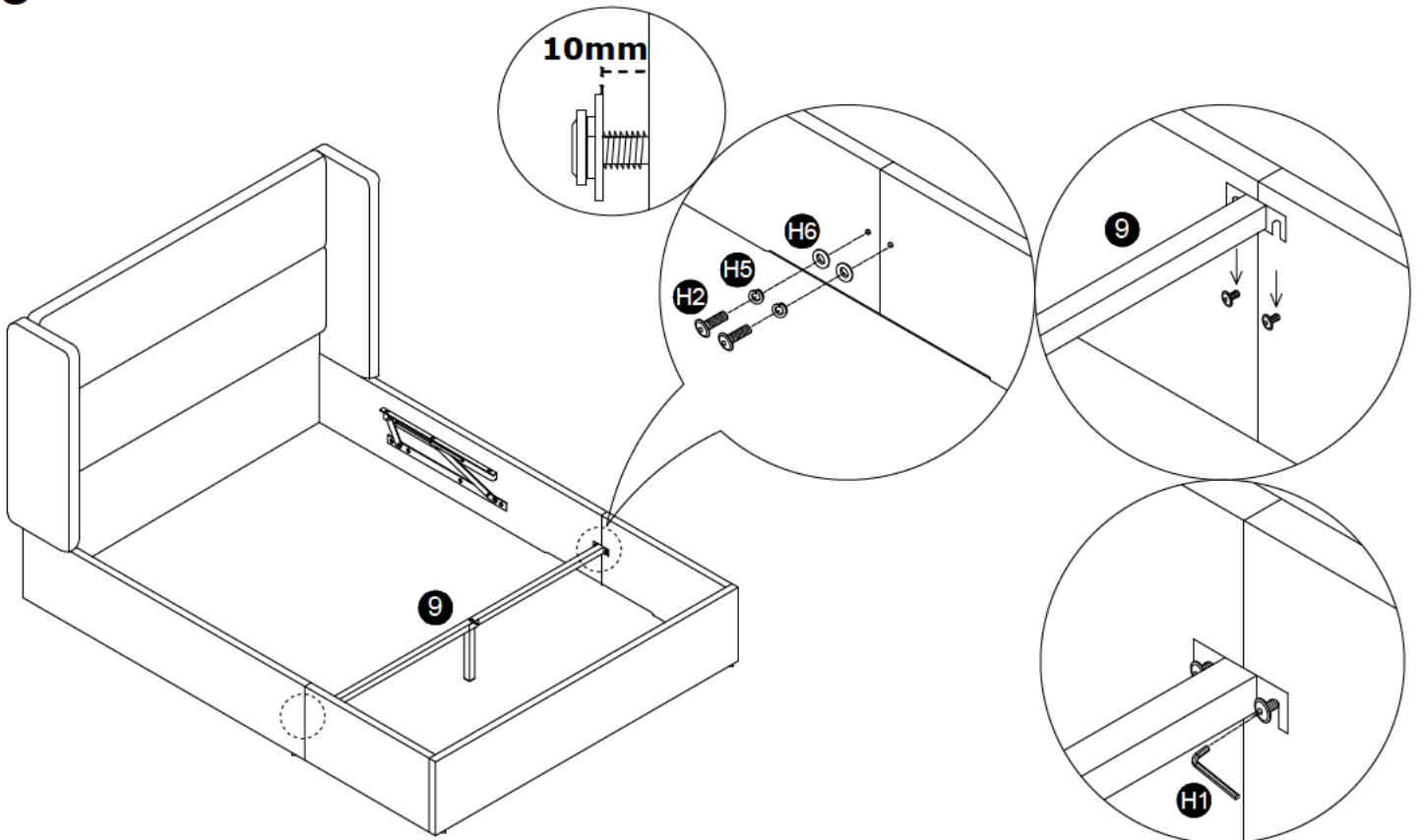
6



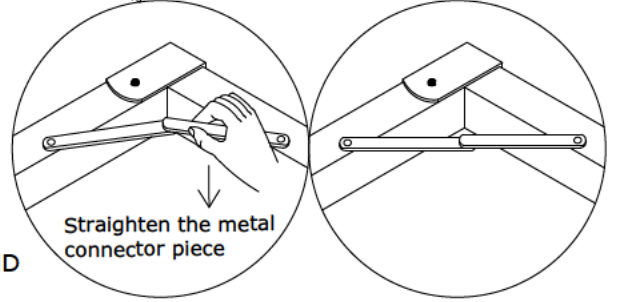
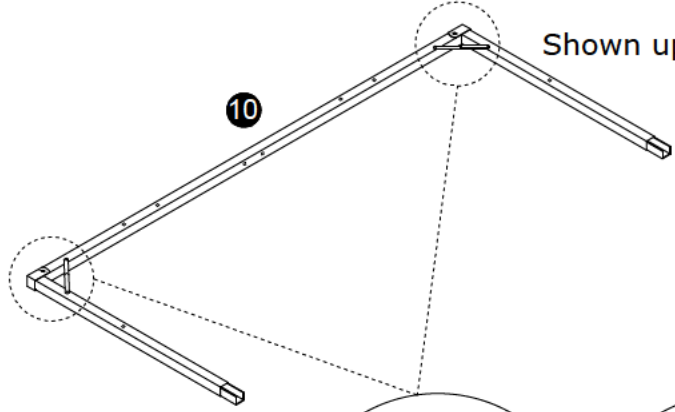
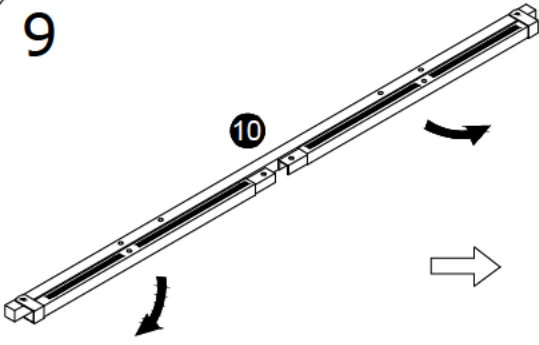
7



8

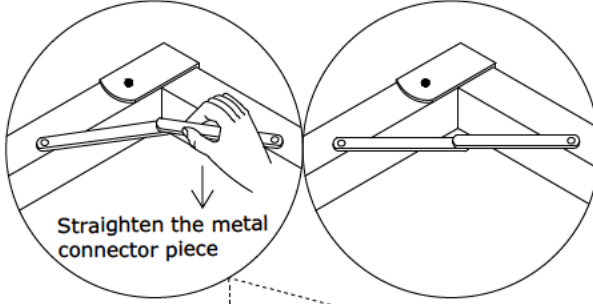


9

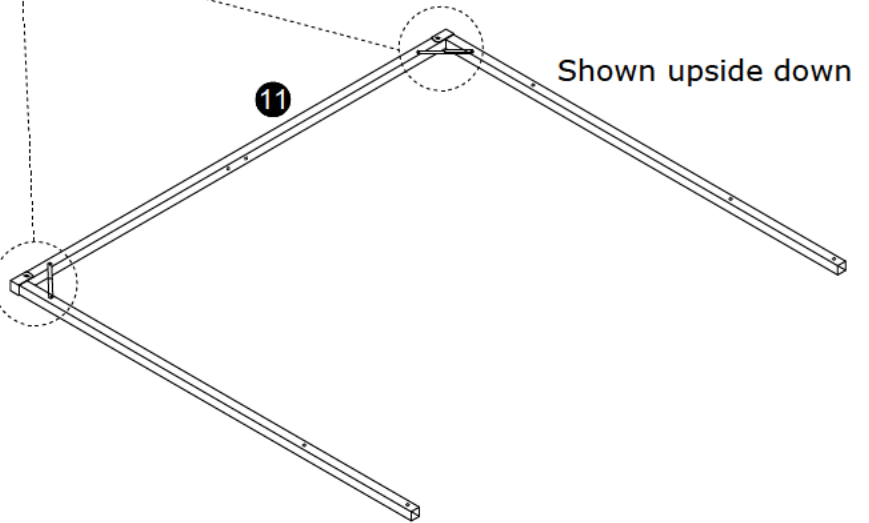
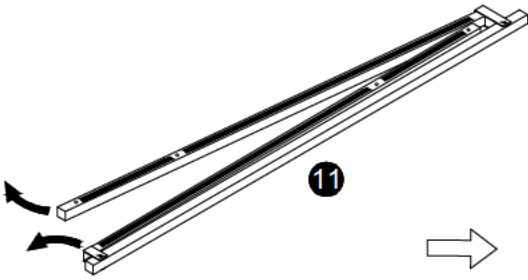


BEWARE OF CLAMP HAND

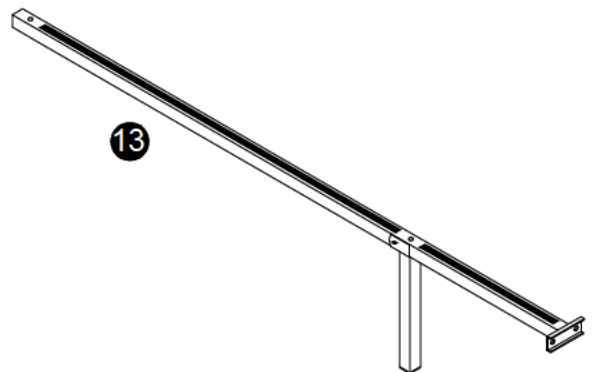
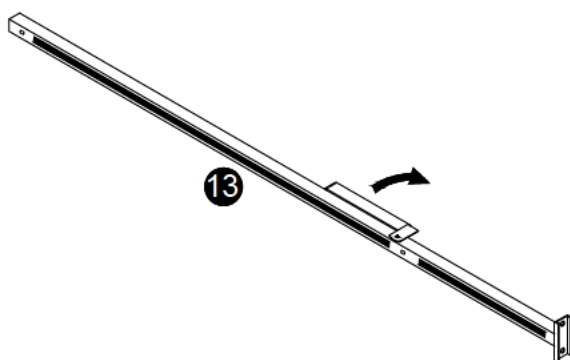
10



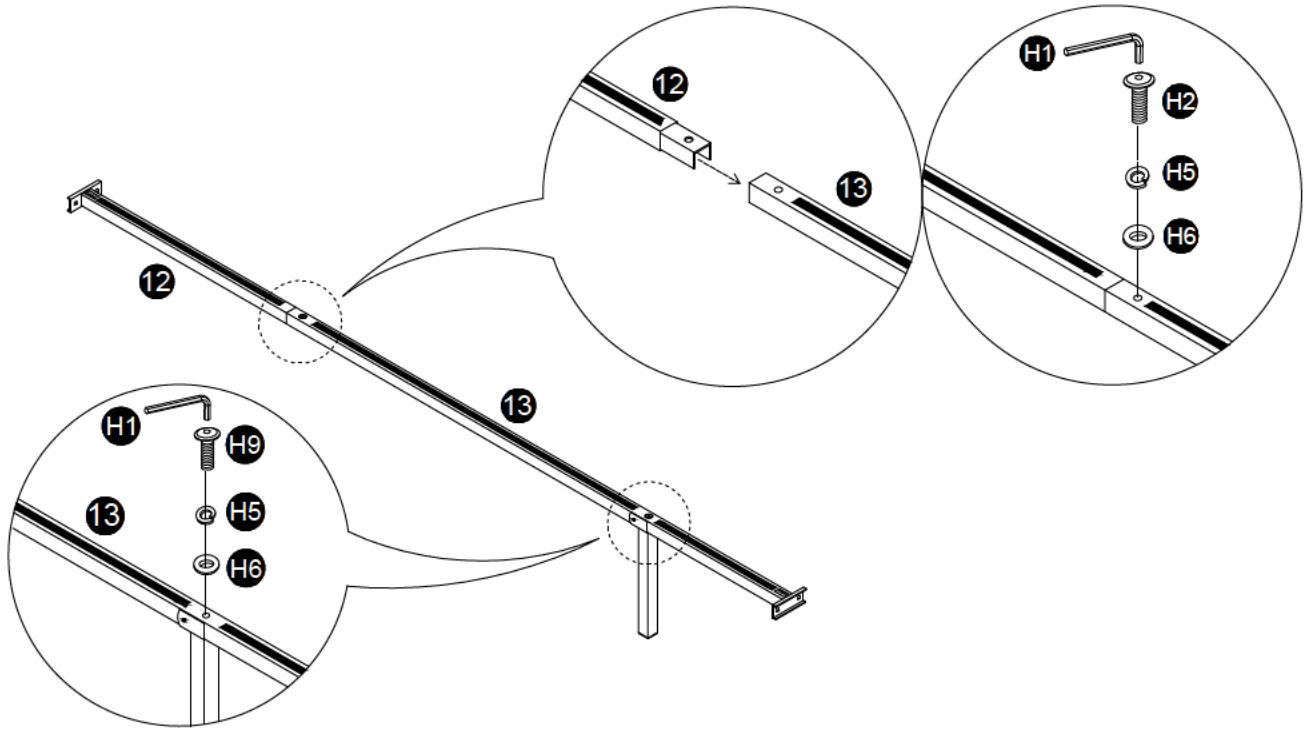
BEWARE OF CLAMP HAND



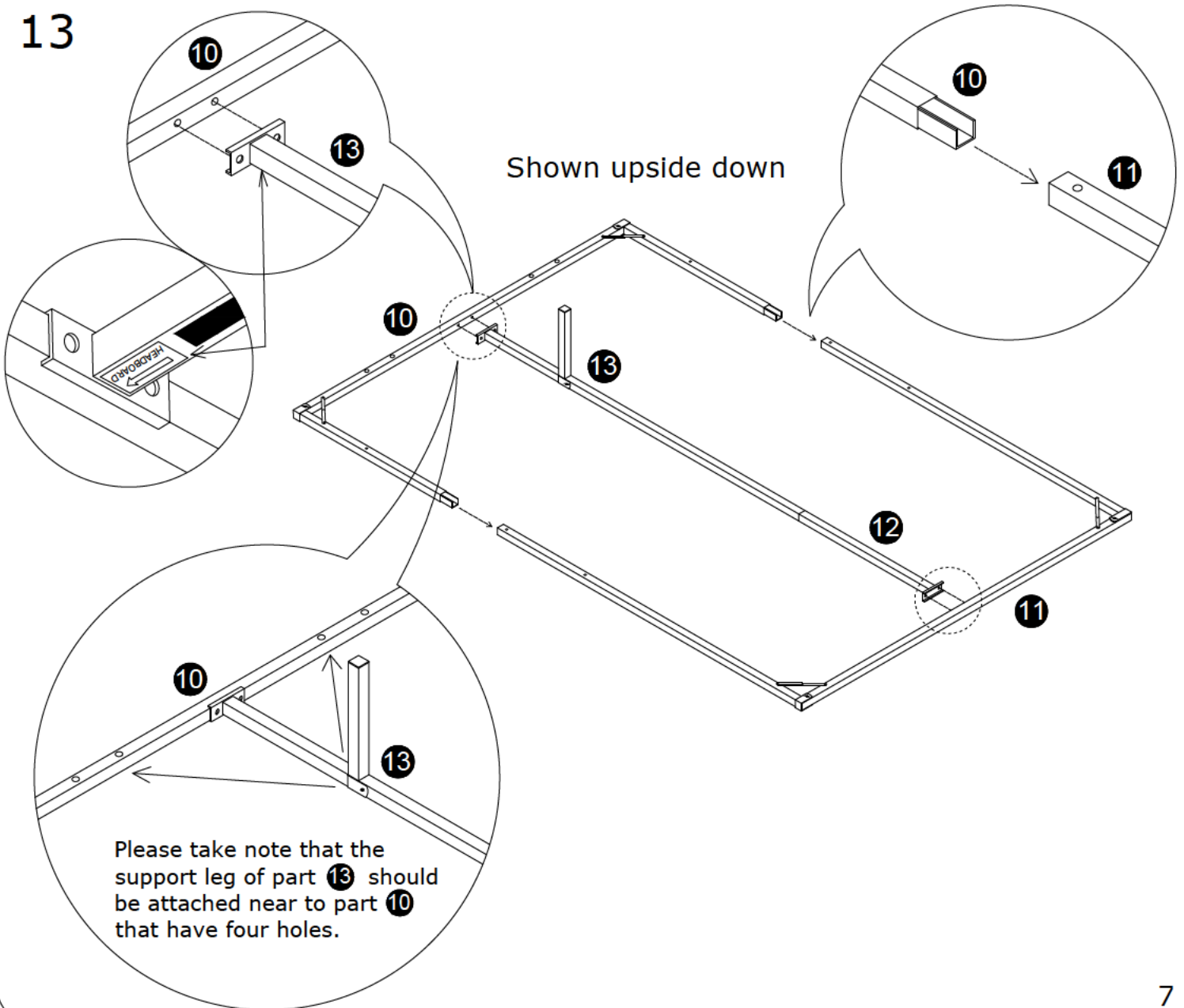
11



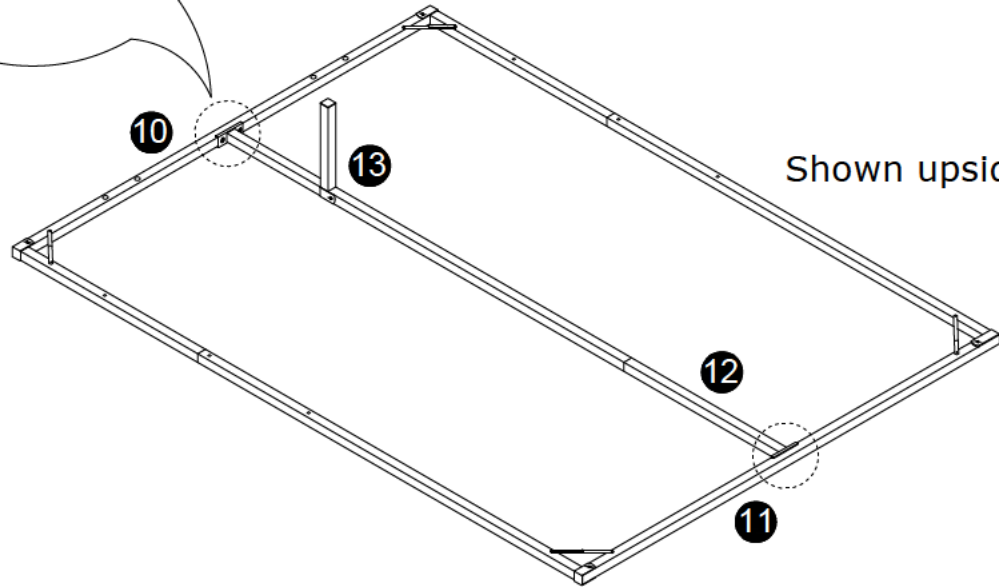
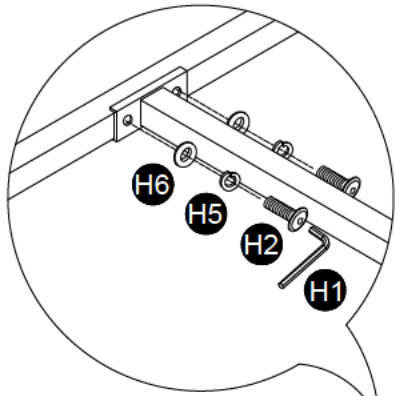
12



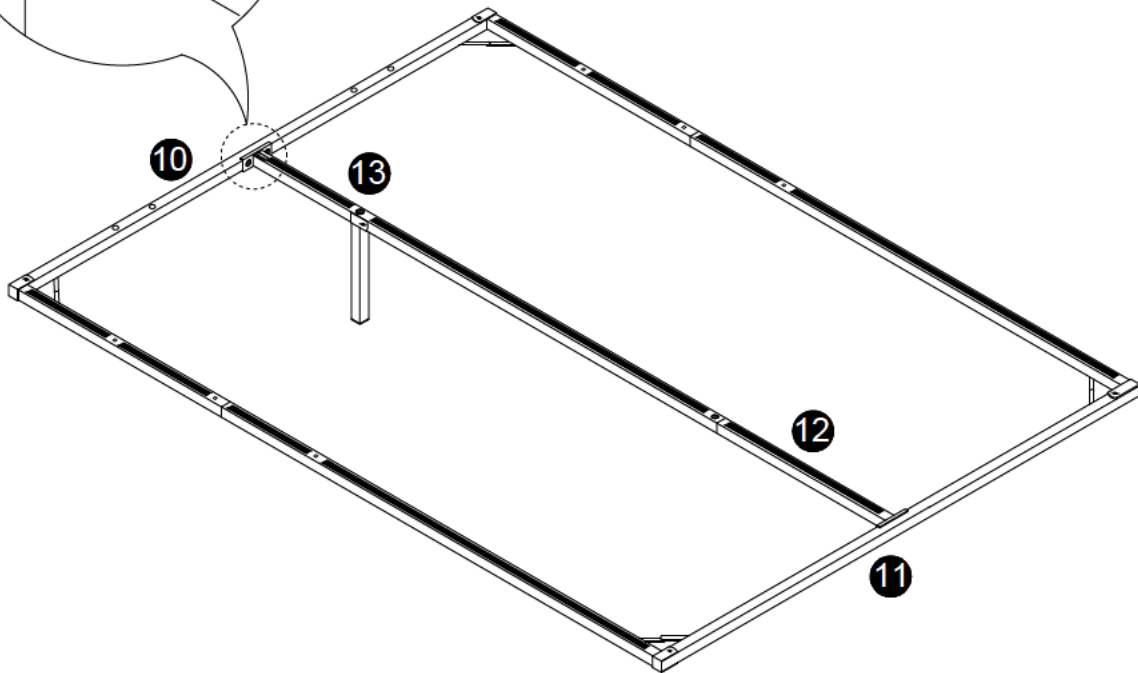
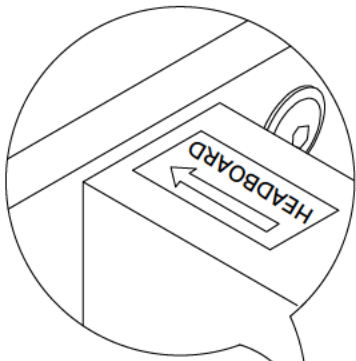
13



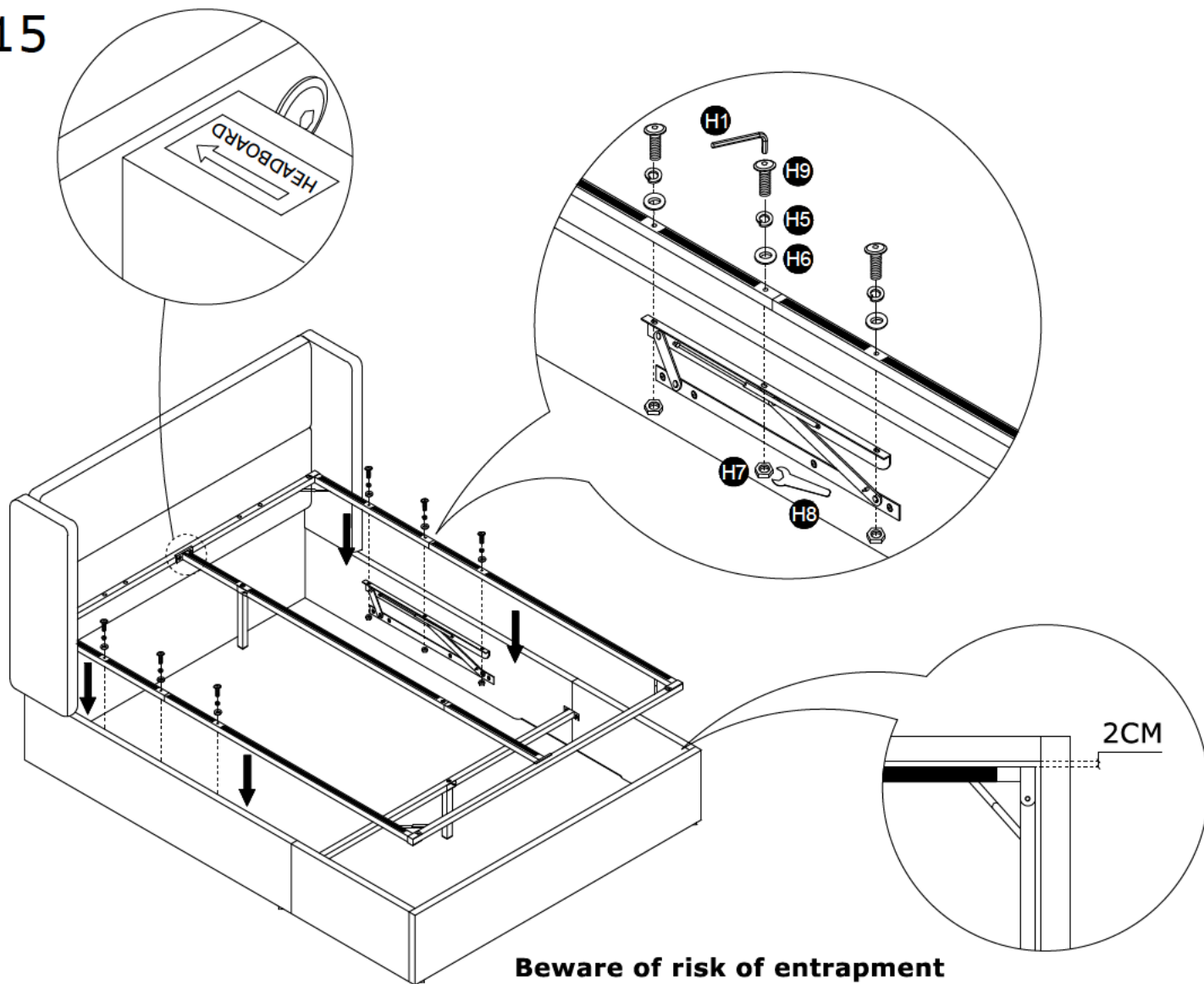
14



Shown upside down

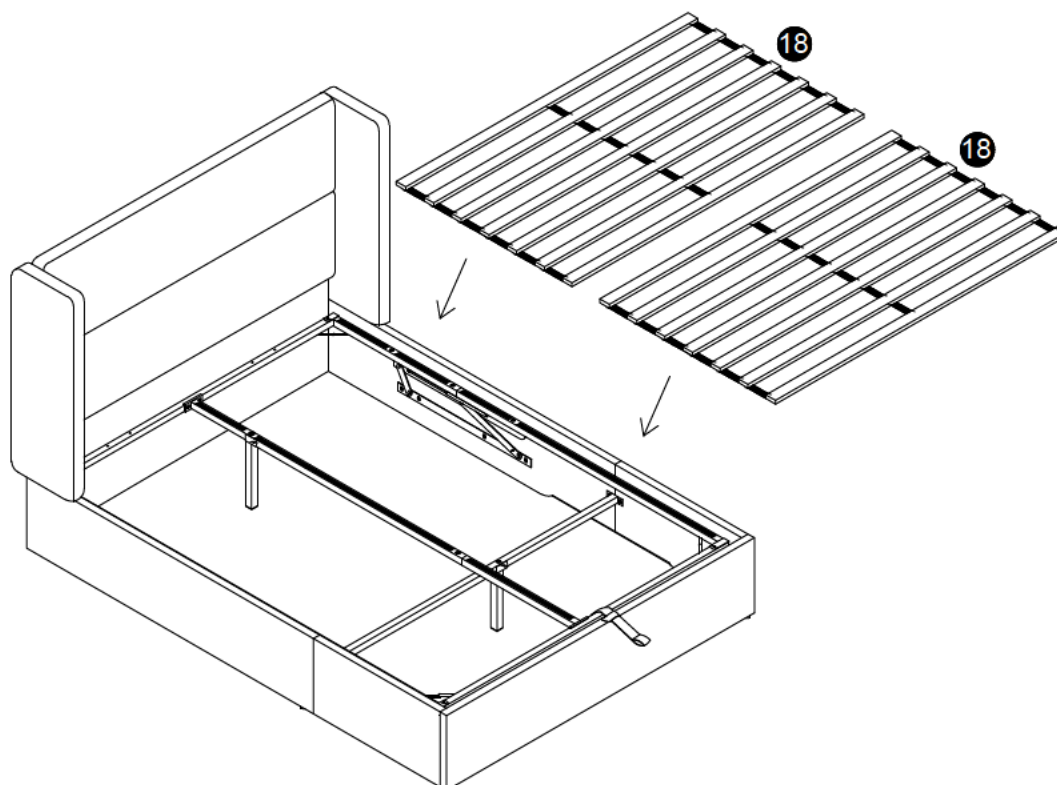


15

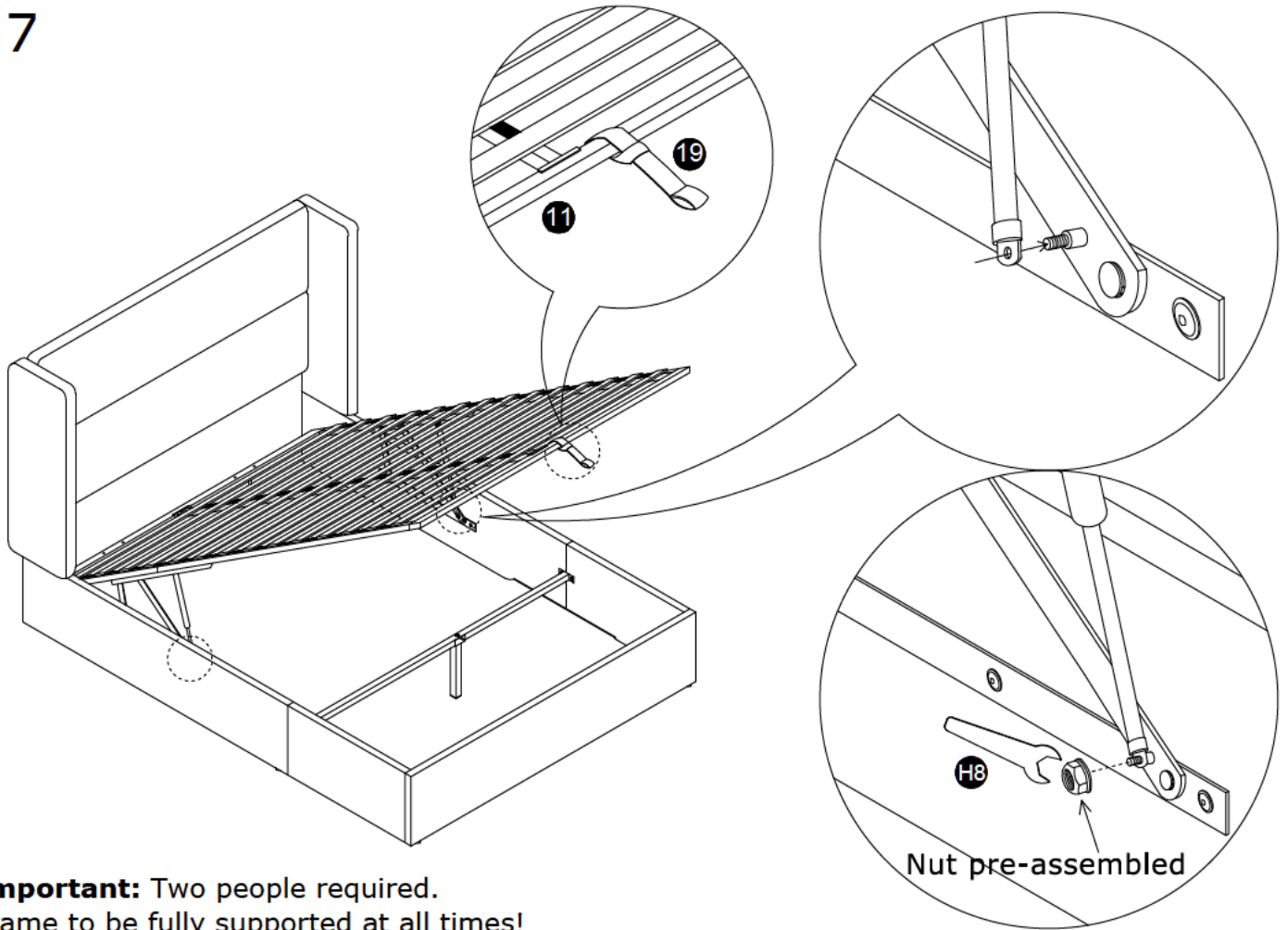


**Beware of risk of entrapment
from folding hinges!**

16

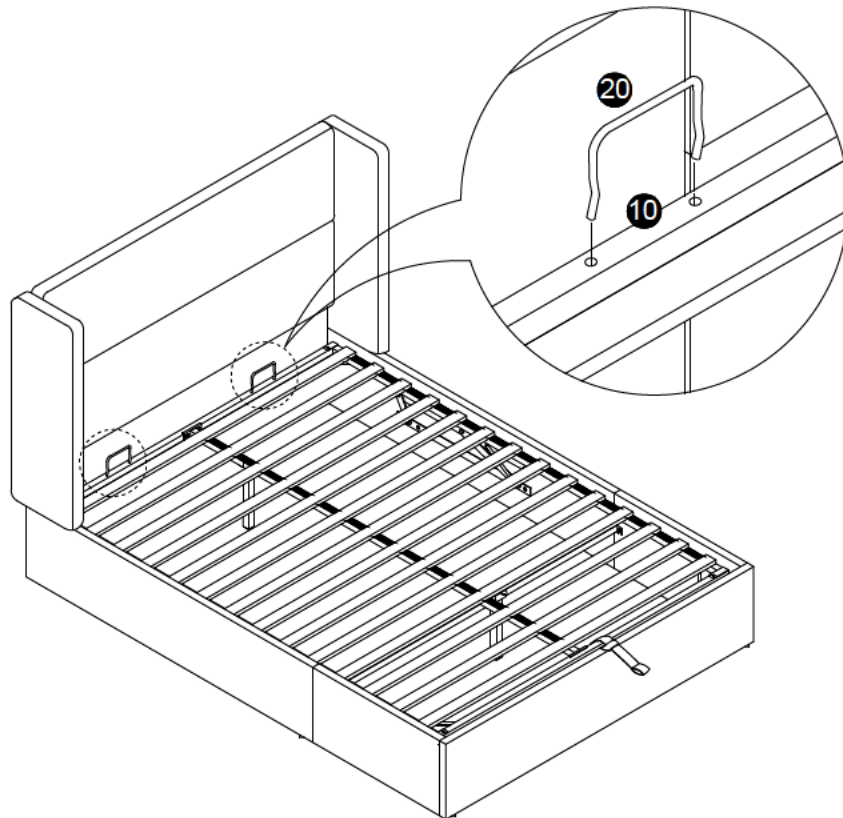


17



Important: Two people required.
Frame to be fully supported at all times!

18



Job Complete !

In the interest of our environment please dispose of all packaging thoughtfully.