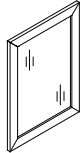

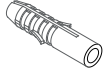
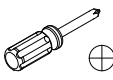






# Mirror

## Installation Instructions

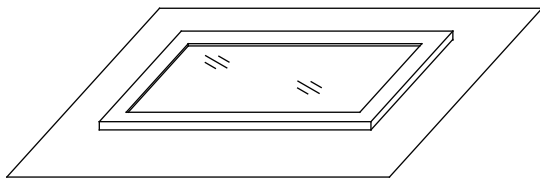
**Notes:** In the hole on the wall, please be sure to be careful to avoid the internal cables and pipelines.

Part List	<p>A (Mirror)</p>  <p>x1</p>	<p>B (Screw)</p>  <p>x2</p>	<p>C (Expansion)</p>  <p>x2</p>		
Tools required	 <p>screwdriver(phillips)</p>	 <p>pencil</p>	 <p>drill</p>	 <p>level</p>	 <p>tape measure</p>

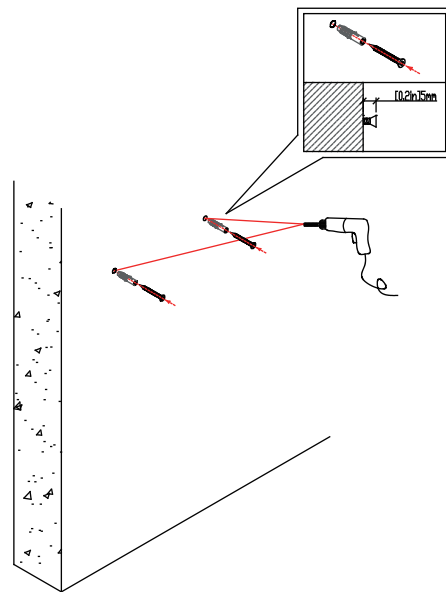
### Step 1

#### CAUTION

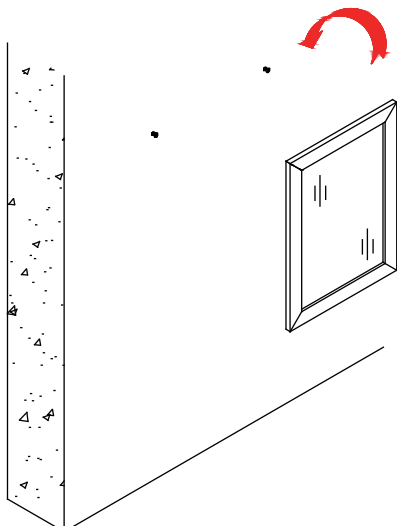
Please install the mirror carefully as it is very fragile.  
Always handle gently and place them flat on a soft surface.  
Please mark the screw holes position before drilling, in case of broken the wall.



### Step 2



### Step 3



### Step 4

