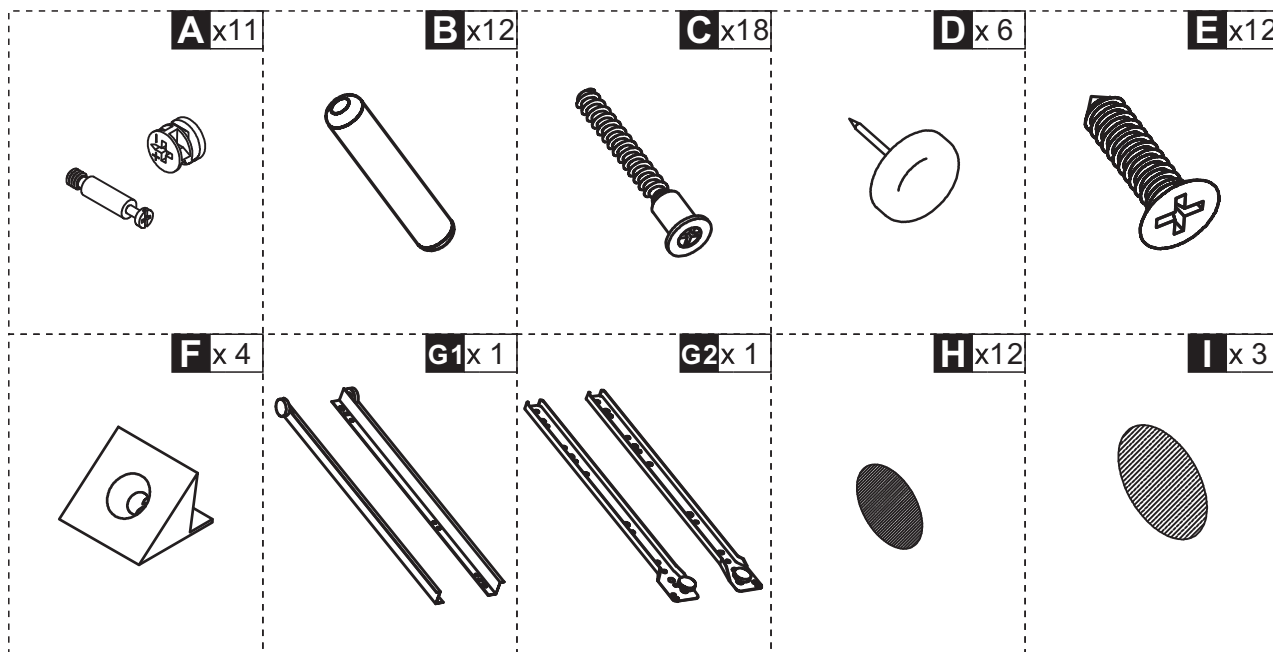
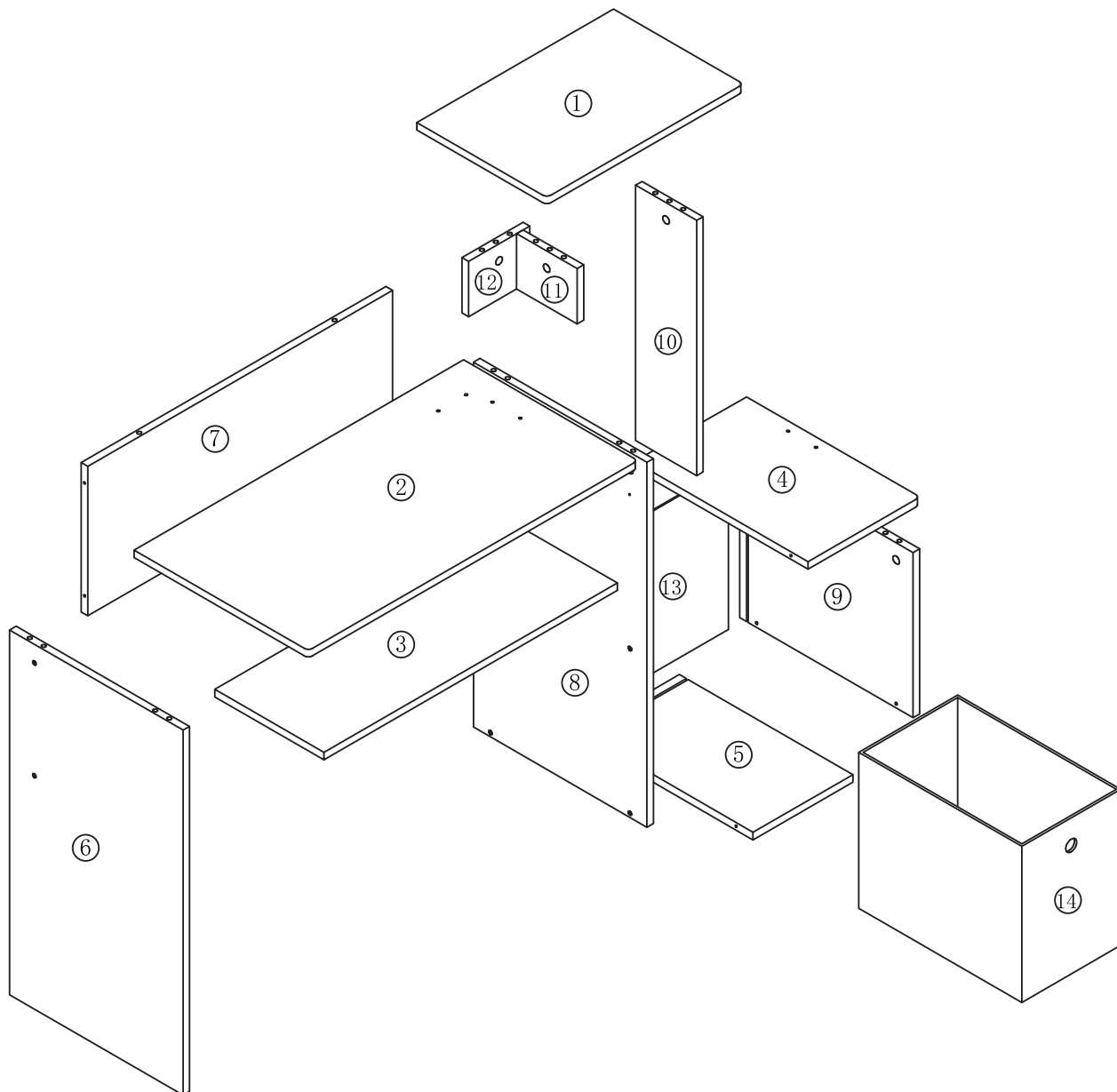


READ AND SAVE THIS INSTRUCTIONS FOR FUTURE USE

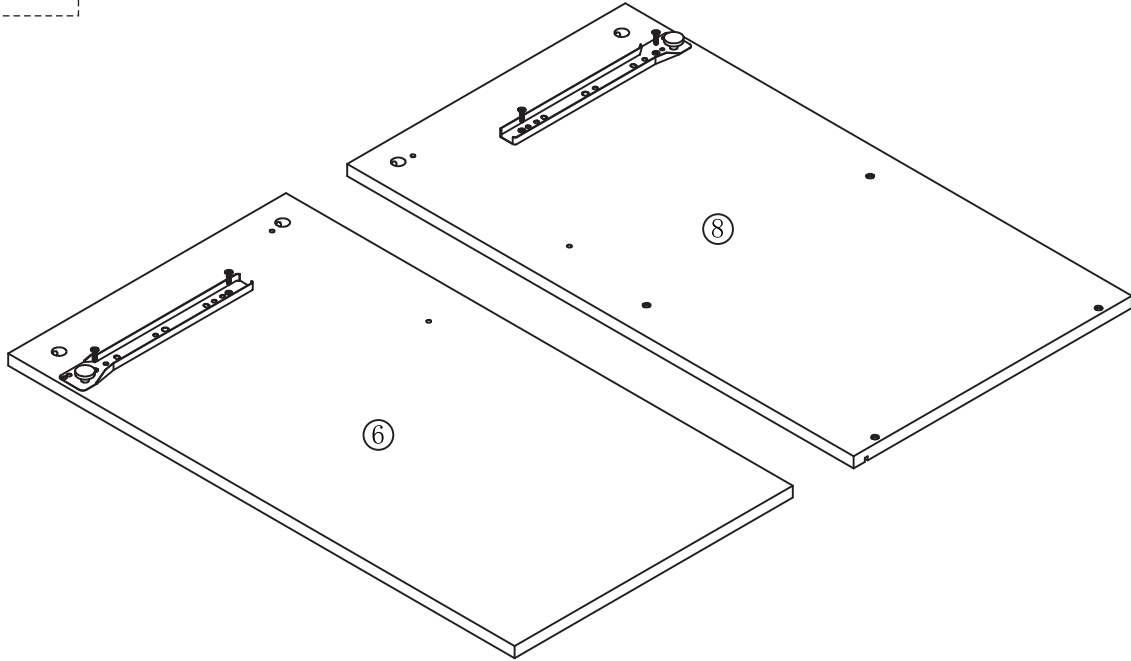
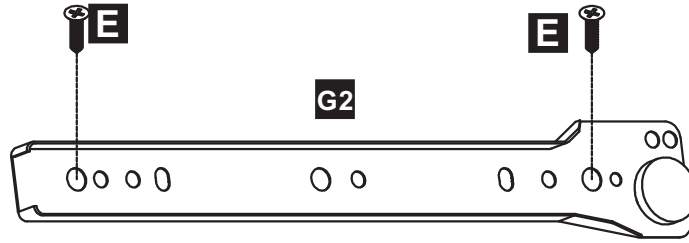
ASSEMBLY & INSTRUCTION MANUAL



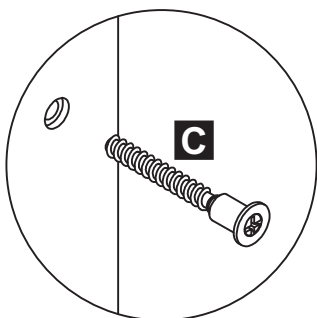
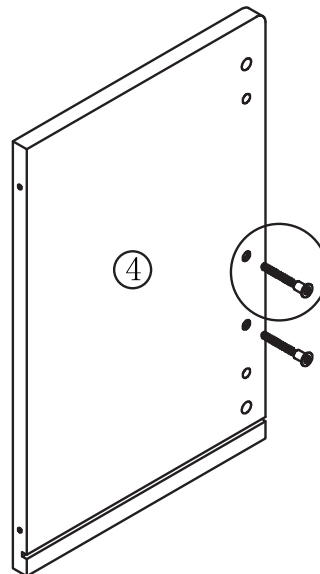
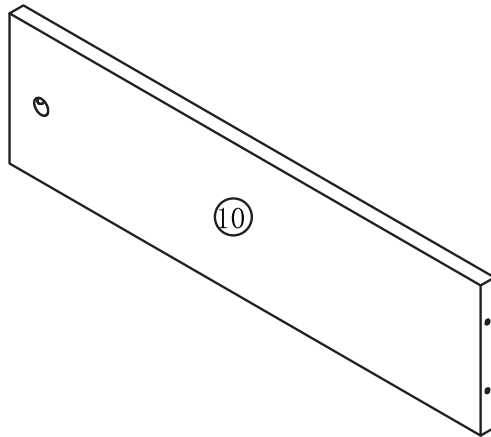
E x 4



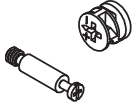
G2 x 1



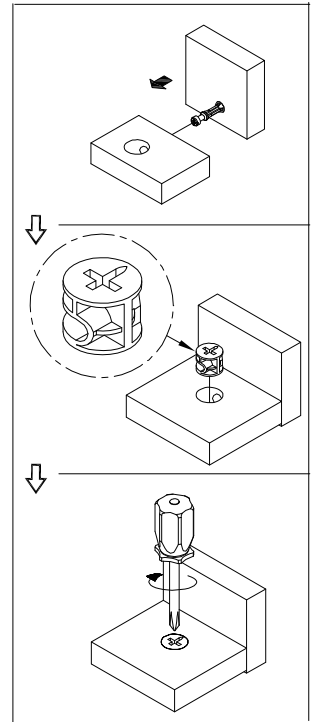
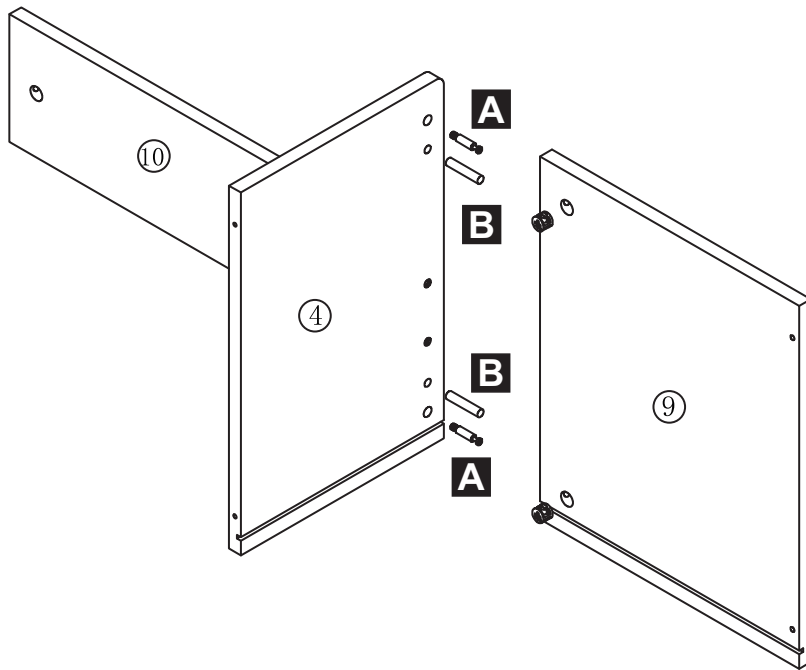
C x 2



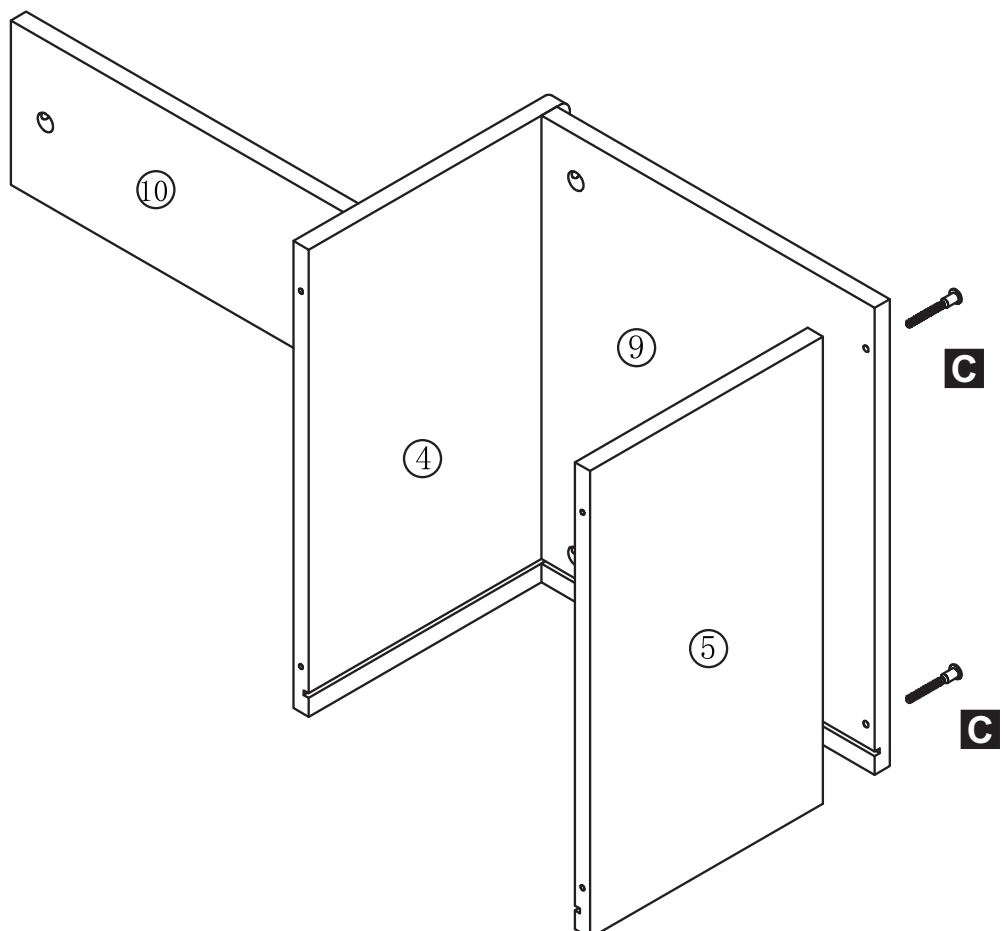
A x 2

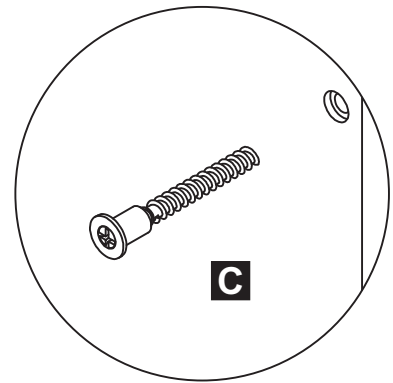
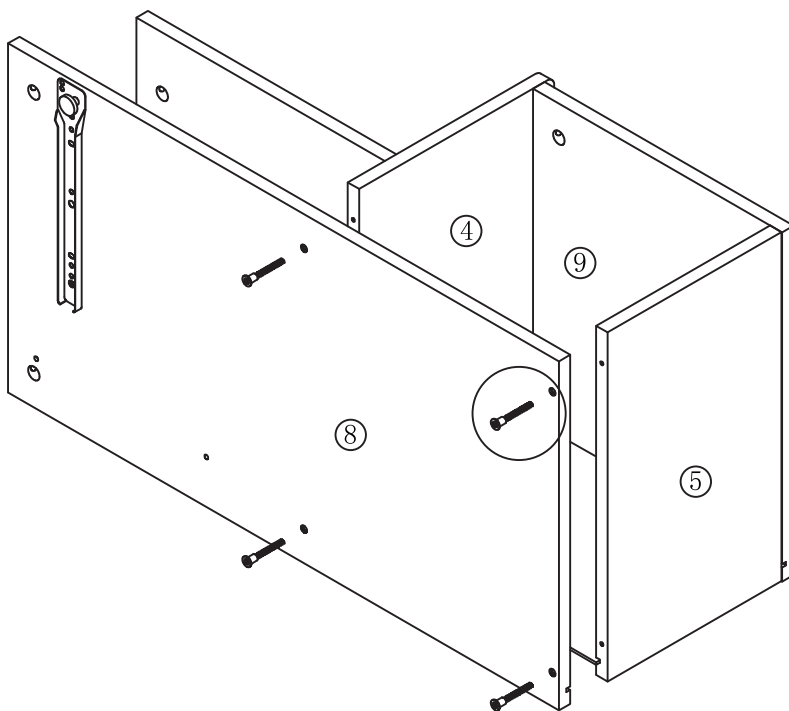
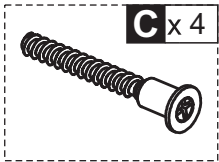
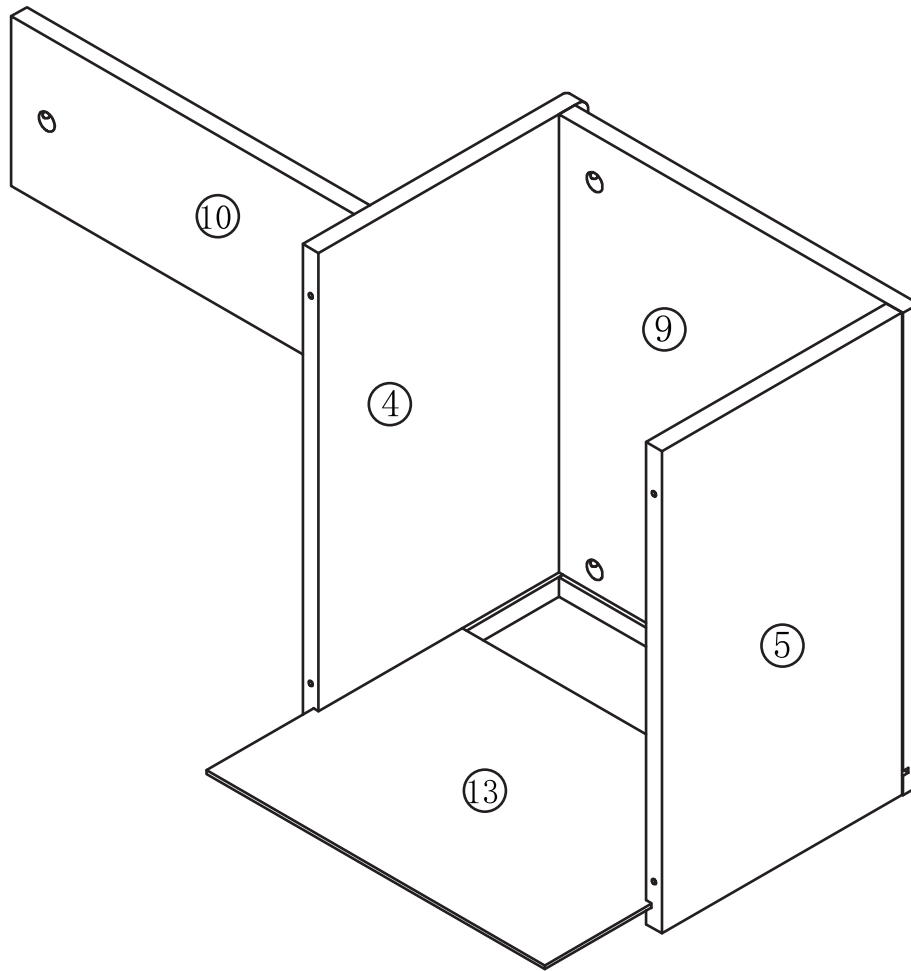


B x 2

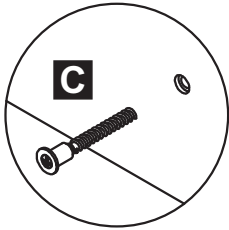
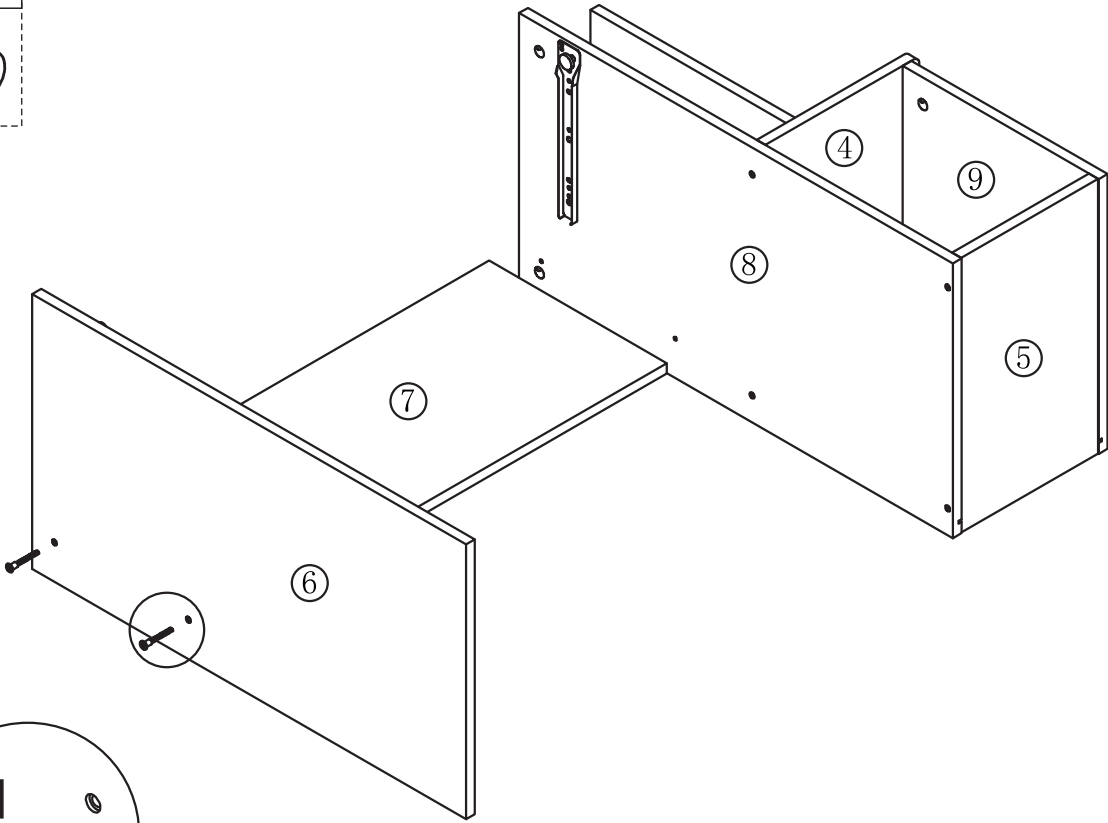


C x 2

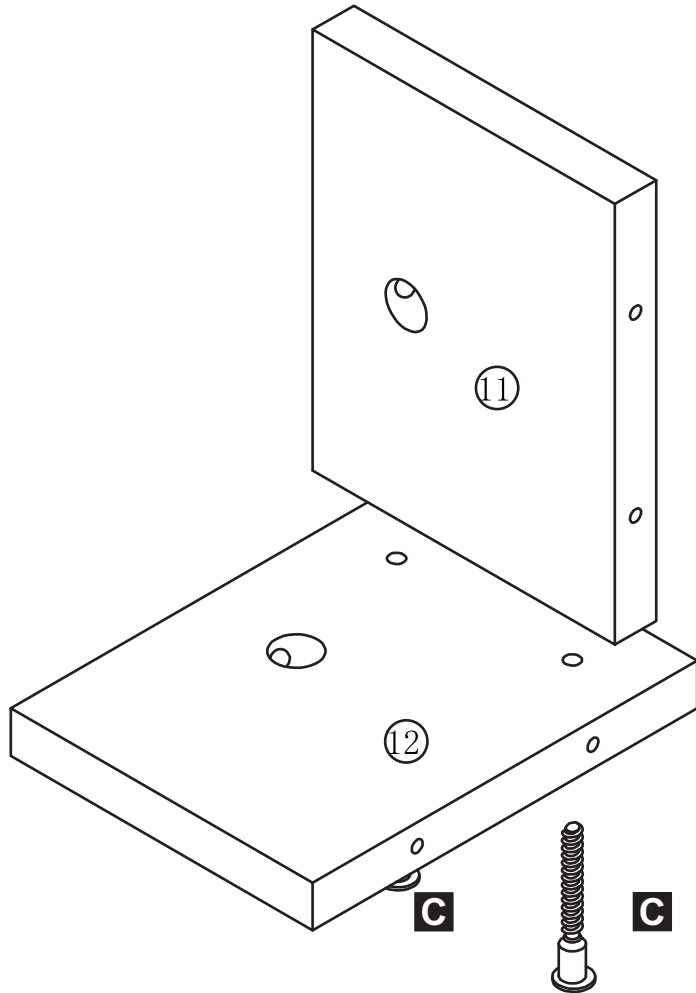




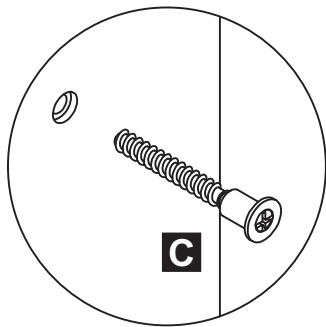
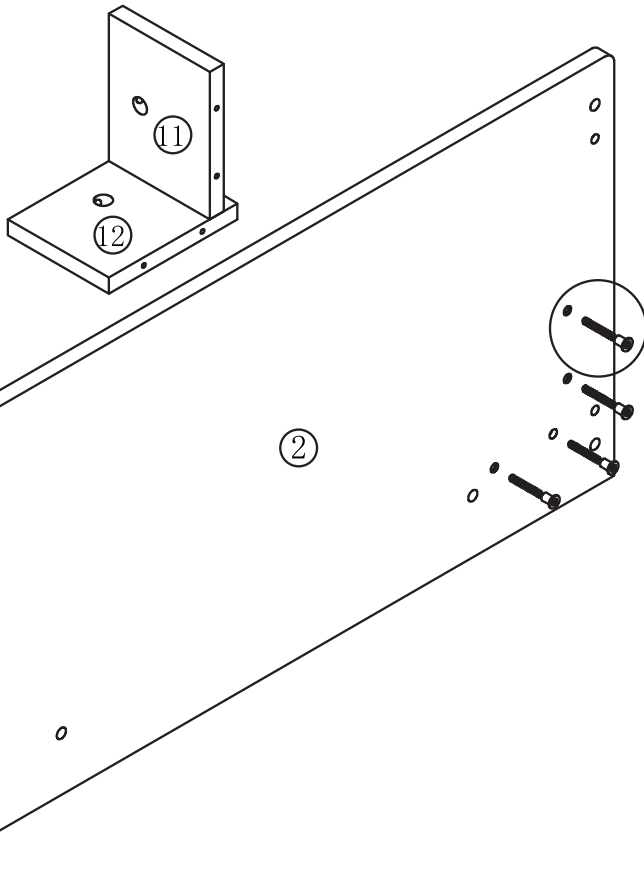
C x 4



C x 2

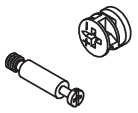


C x 4

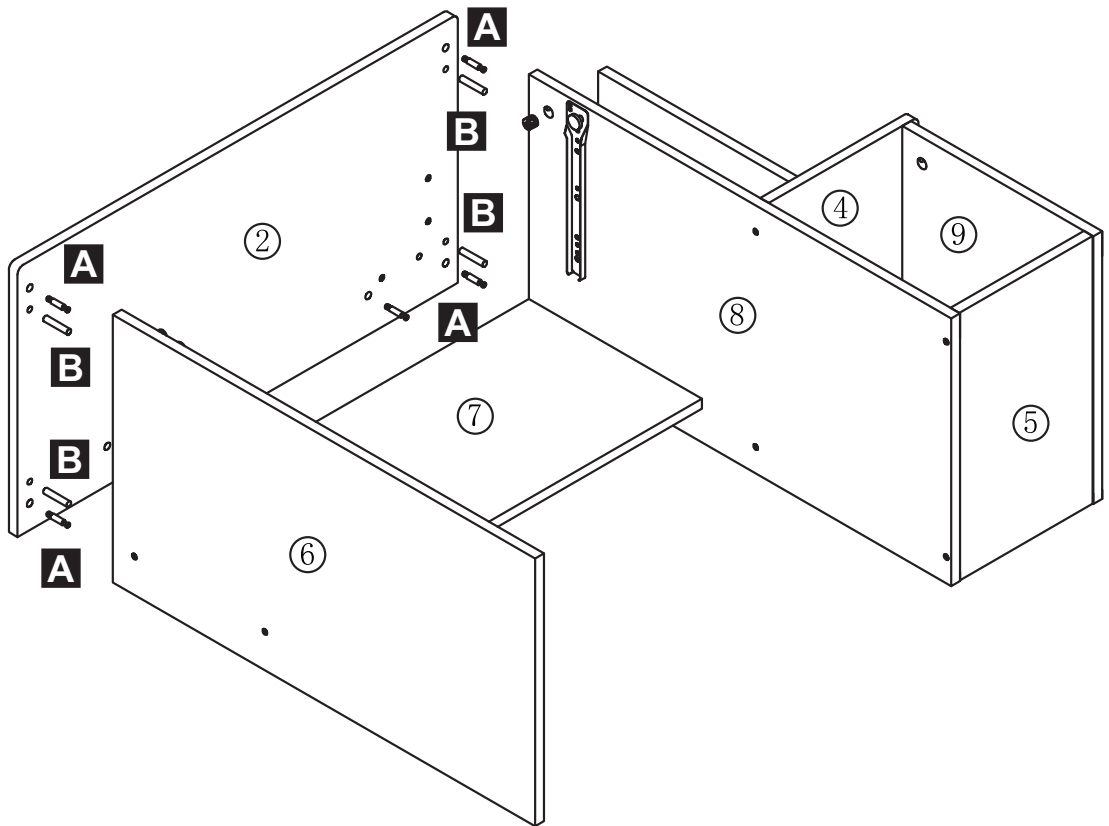


C

A x 6



B x 4



A

2

7

6

A

B

B

A

B

B

A

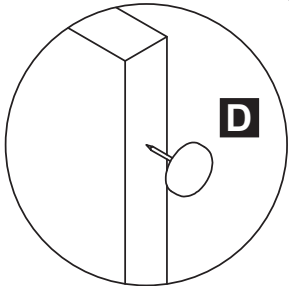
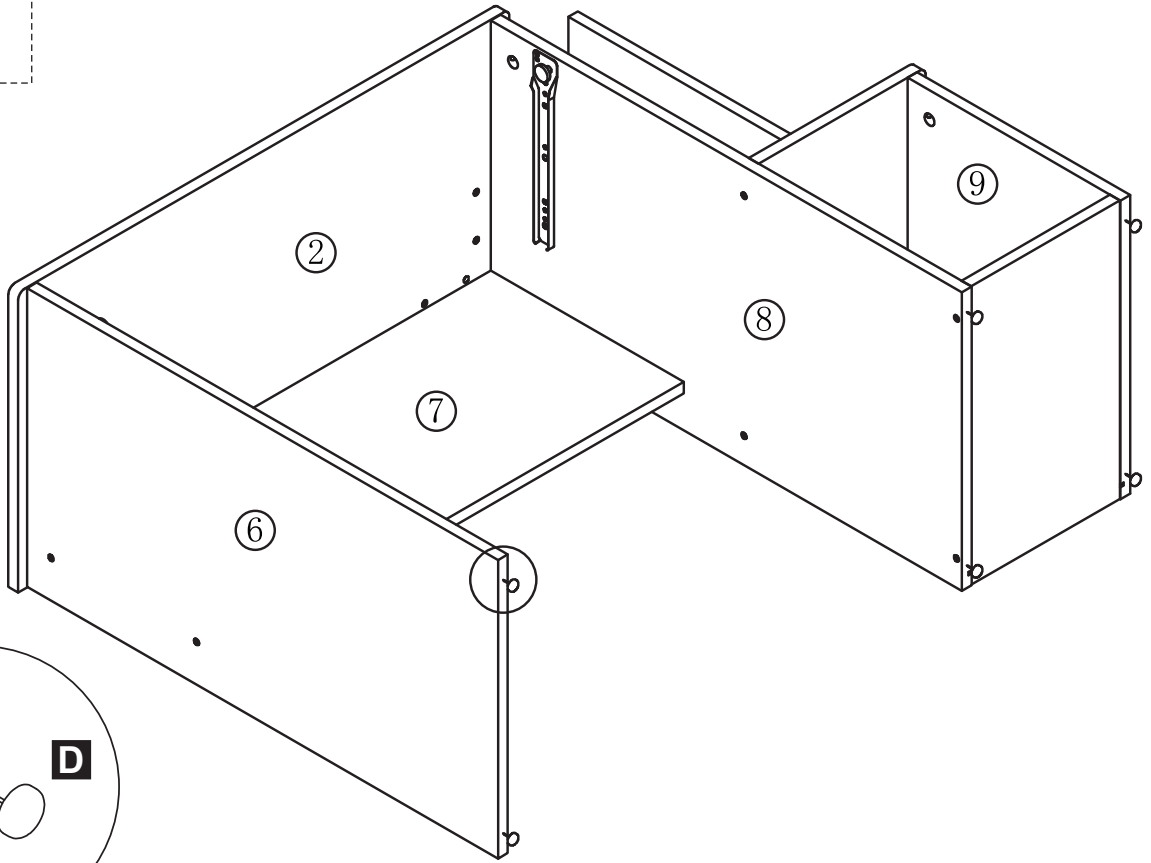
8

4

9

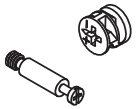
5

D x 6



D

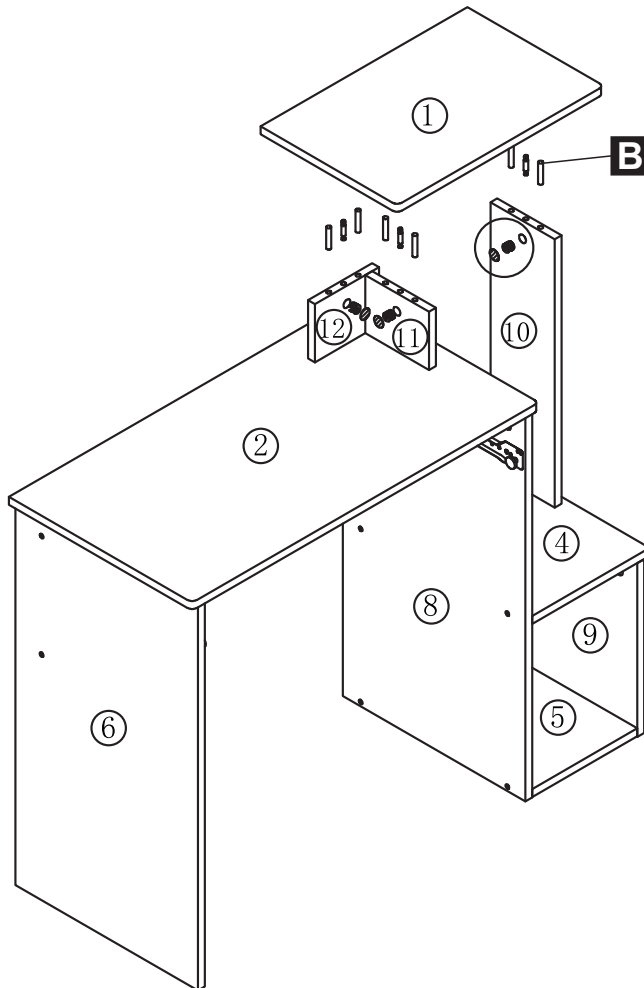
A x 3



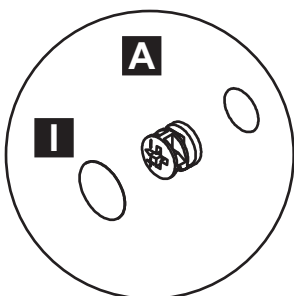
B x 6



I x 3

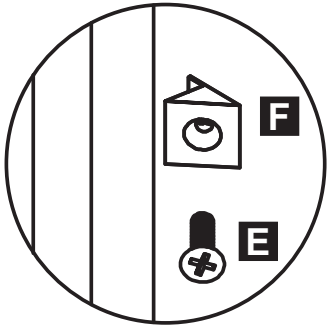
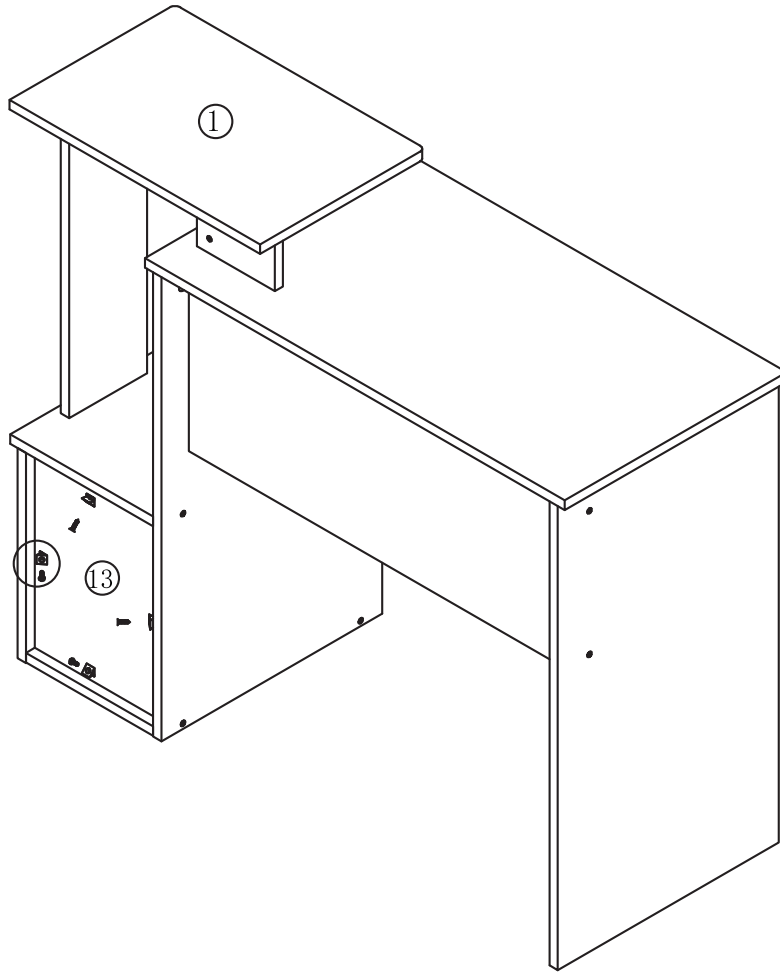


B



A

I

E x 4**F** x 4**E** x 4**G1** x 1