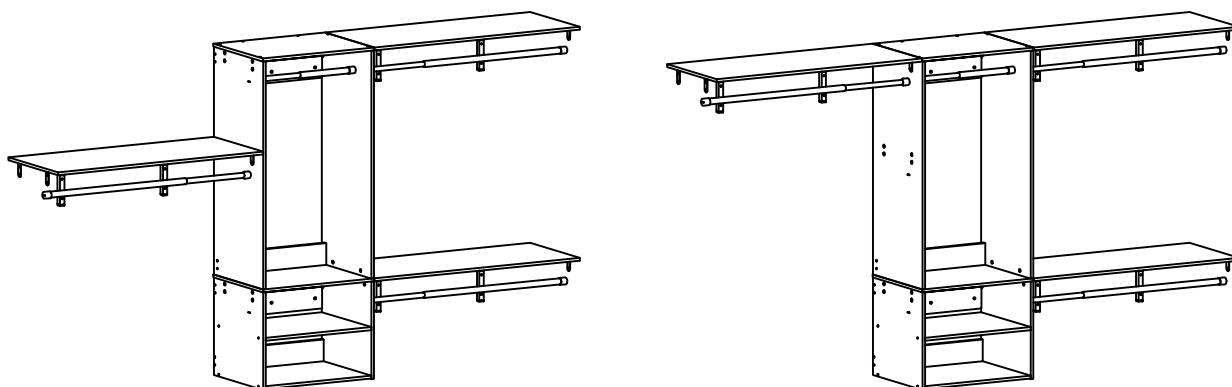


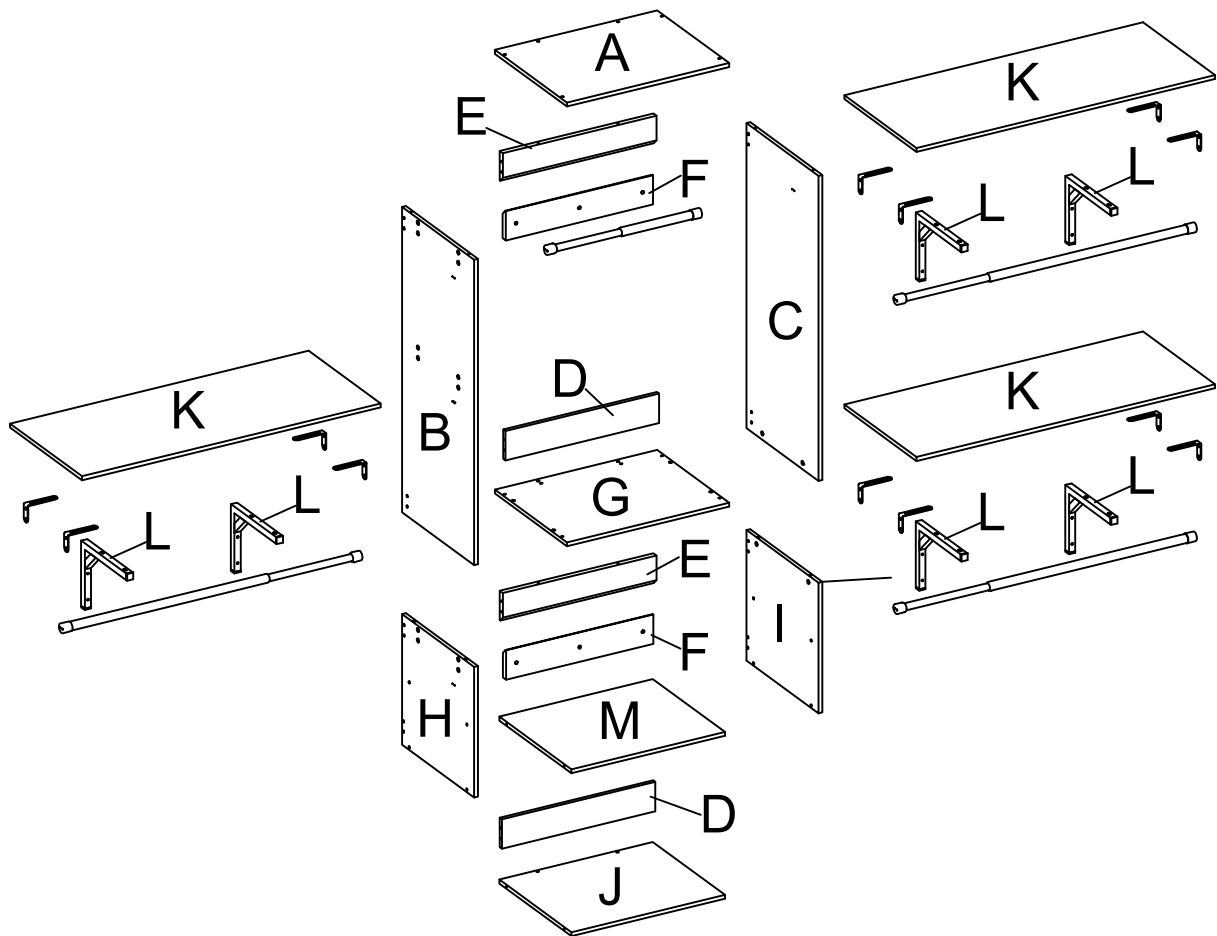
Hanging Closet System with Shelves

Assembly Instructions

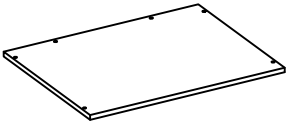
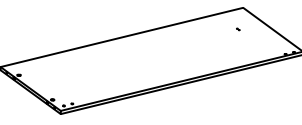
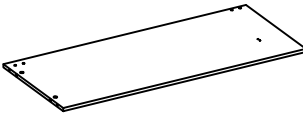

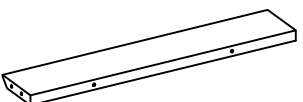
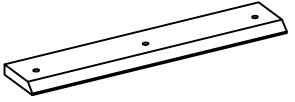
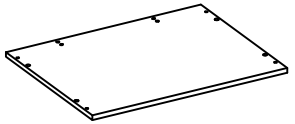
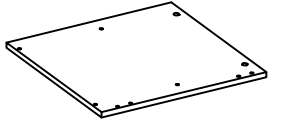
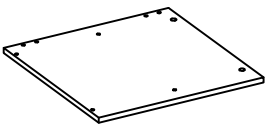
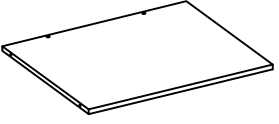
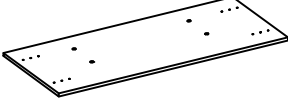
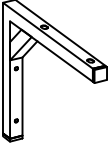
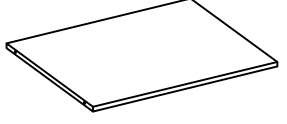


Attention: Please ensure you have all parts before commencing assembly.
Please read all the instructions before commencing.

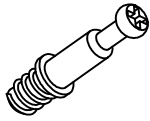

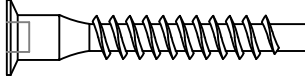
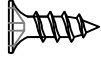

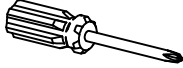
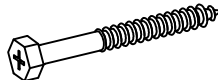

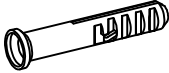
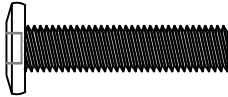
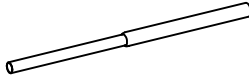
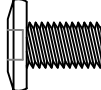





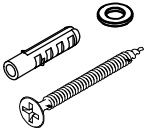
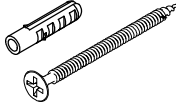
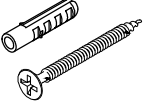

PART LIST



PART LIST

<p>A x 1pc</p> 	<p>B x 1pc</p> 	<p>C x 1pc</p> 	<p>D x 2pcs</p> 
<p>E x 2pcs</p> 	<p>F x 2pcs</p> 	<p>G x 1pc</p> 	<p>H x 1pc</p> 
<p>I x 1pc</p> 	<p>J x 1pc</p> 	<p>K x 3pcs</p> 	<p>L x 6pcs</p> 
<p>M x 1pc</p> 			

HARDWARE LIST

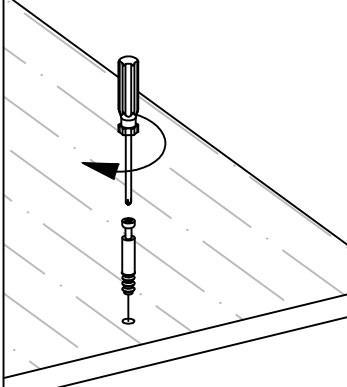
<p style="text-align: center;">①</p>  <p>M6x28 8 pcs</p>	<p style="text-align: center;">②</p>  <p>Ø12 8 pcs</p>	<p style="text-align: center;">③</p>  <p>M6x40 36 pcs</p>	<p style="text-align: center;">④</p>  <p>M4x12 10 pcs</p>
<p style="text-align: center;">⑤</p>  <p>M6x30 4 pcs</p>	<p style="text-align: center;">⑥</p>  <p>M8x80 1 pc</p>	<p style="text-align: center;">⑦</p>  <p>M8x80 6 pcs</p>	<p style="text-align: center;">⑧</p>  <p>M8x20x1.0 6 pcs</p>
<p style="text-align: center;">⑨</p>  <p>M10x60 6 pcs</p>	<p style="text-align: center;">⑩</p>  <p>M6x27 12 pcs</p>	<p style="text-align: center;">⑪</p>  <p>31-51cm 1 pc</p>	<p style="text-align: center;">⑫</p>  <p>M6x10 12 pcs</p>
<p style="text-align: center;">⑬</p>  <p>100x55 12 pcs</p>	<p style="text-align: center;">⑭</p>  <p>M4x12 24 pcs</p>	<p style="text-align: center;">⑮</p>  <p>56-100cm 3 pcs</p>	<p style="text-align: center;">⑯</p>  <p>4 pcs</p>
<p style="text-align: center;">⑰</p>  <p>4 pcs</p>	<p style="text-align: center;">⑱</p>  <p>M4x40 12 pcs</p>	<p style="text-align: center;">⑲</p>  <p>M4x60 12 pcs</p>	<p style="text-align: center;">⑳</p>  <p>M4x40 6 pcs</p>
<p style="text-align: center;">㉑</p>  <p>M4 1 pc</p>			

Please count and verify all parts before assembly .

How to install Camlocks

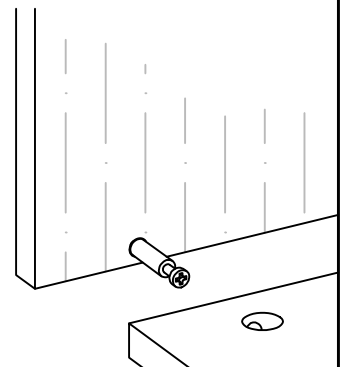
Connect the male camlock as directed in the assembly instructions with a screwdriver.

1 DO NOT OVER TIGHTEN



Put the male camlock into the entry hole.

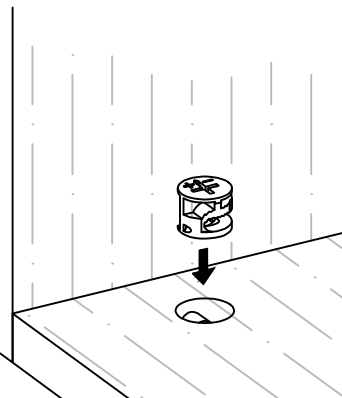
2



Insert the female camlock as shown in the instruction.

Note: ensure that the arrow on the top of the camlock points toward the entry hole for the male camlock.

3

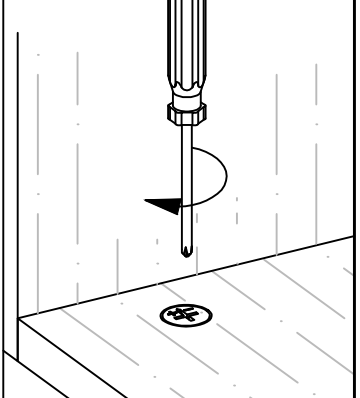


Screw the female camlock clockwise with a screwdriver.

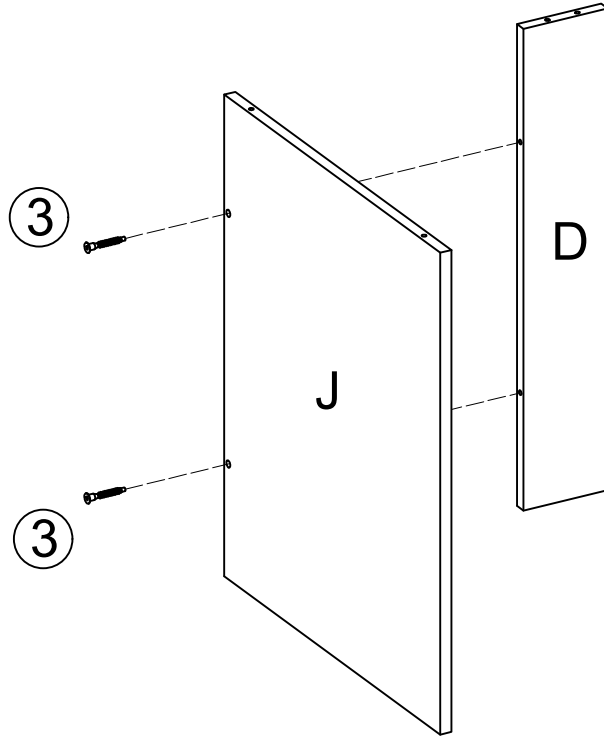
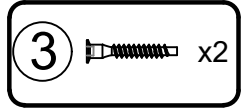
You will feel a click when the camlock is locked in place.

The camlock is now completed.

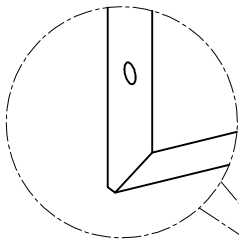
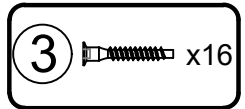
4



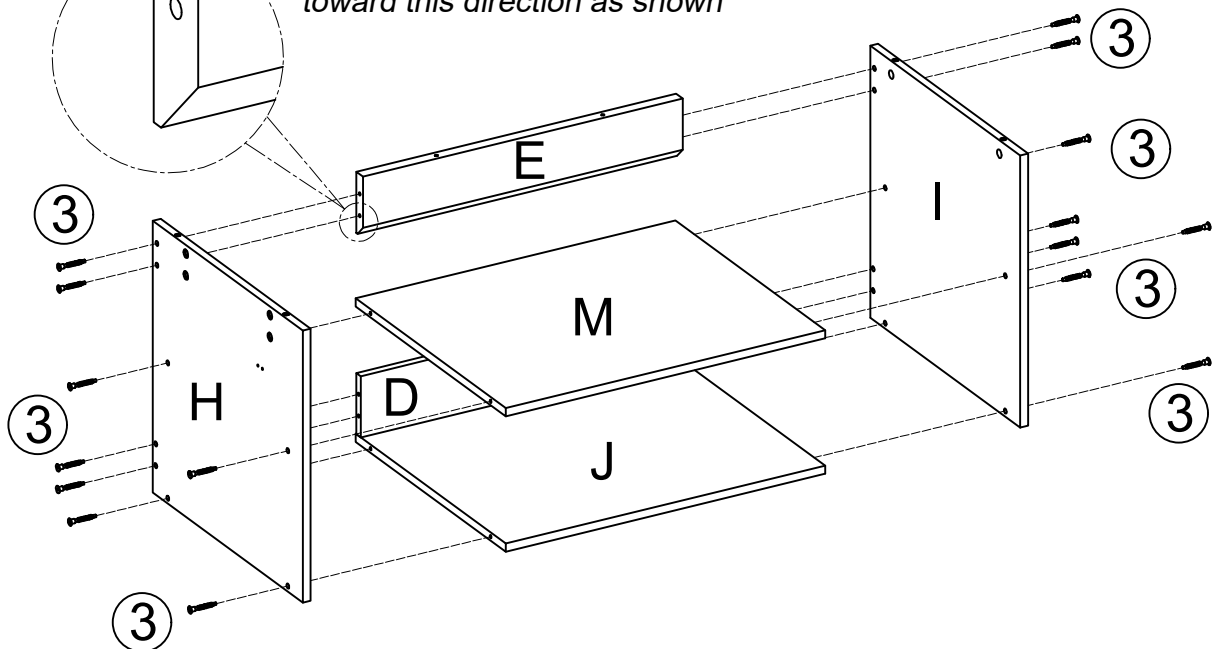
STEP 1



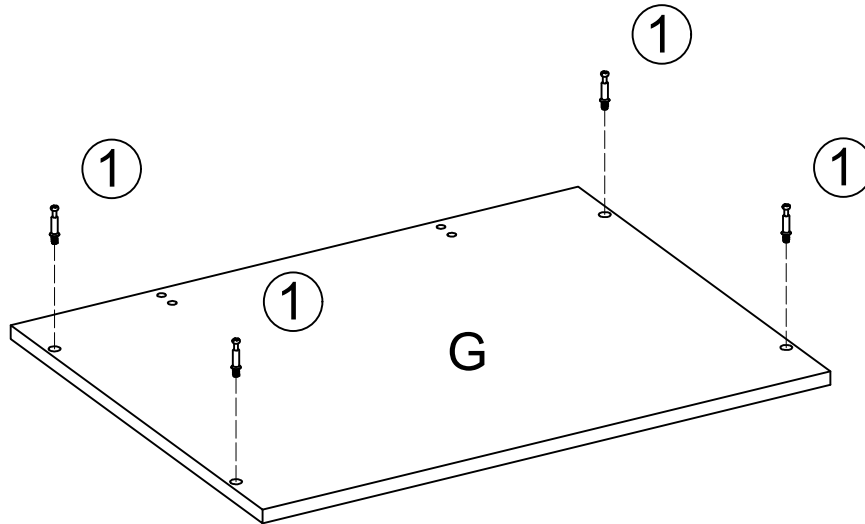
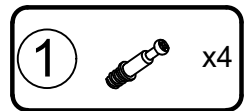
STEP 2



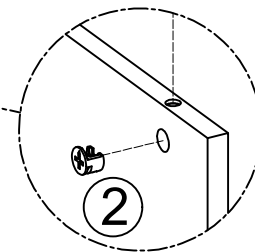
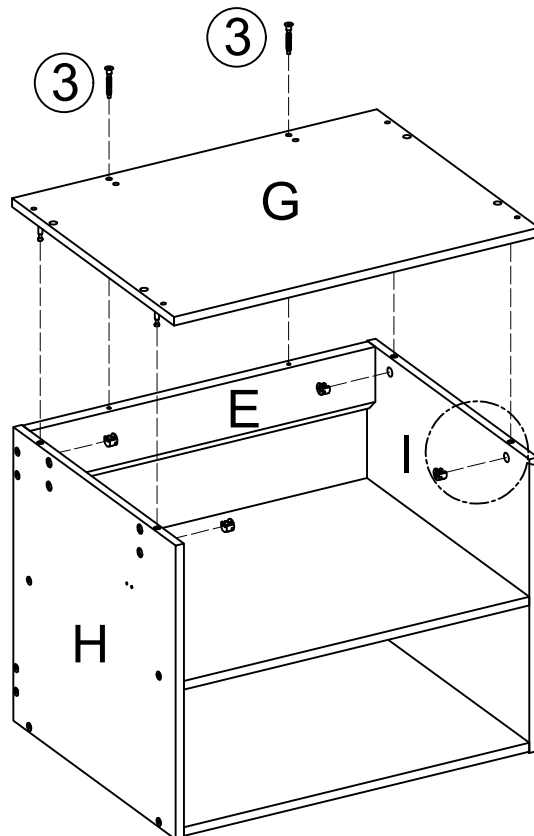
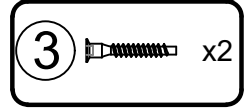
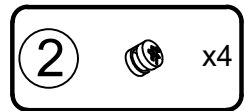
Keep the holes of the Part E toward this direction as shown



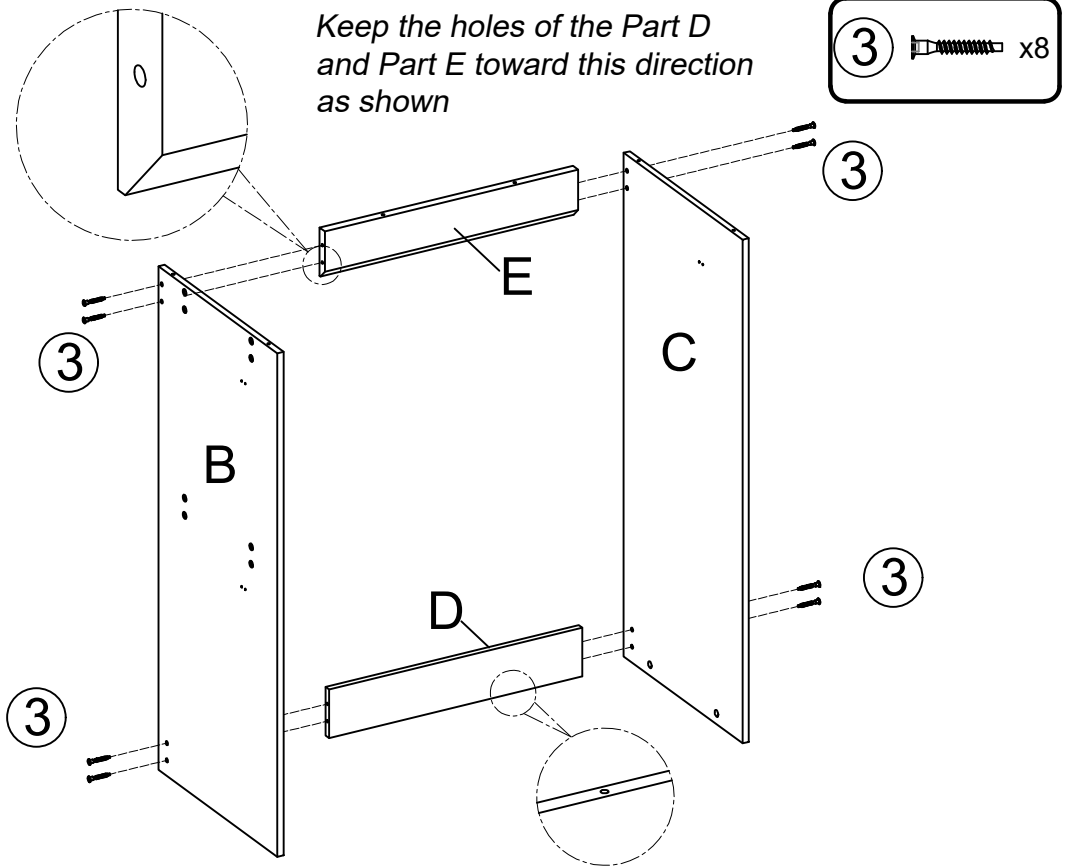
STEP 3



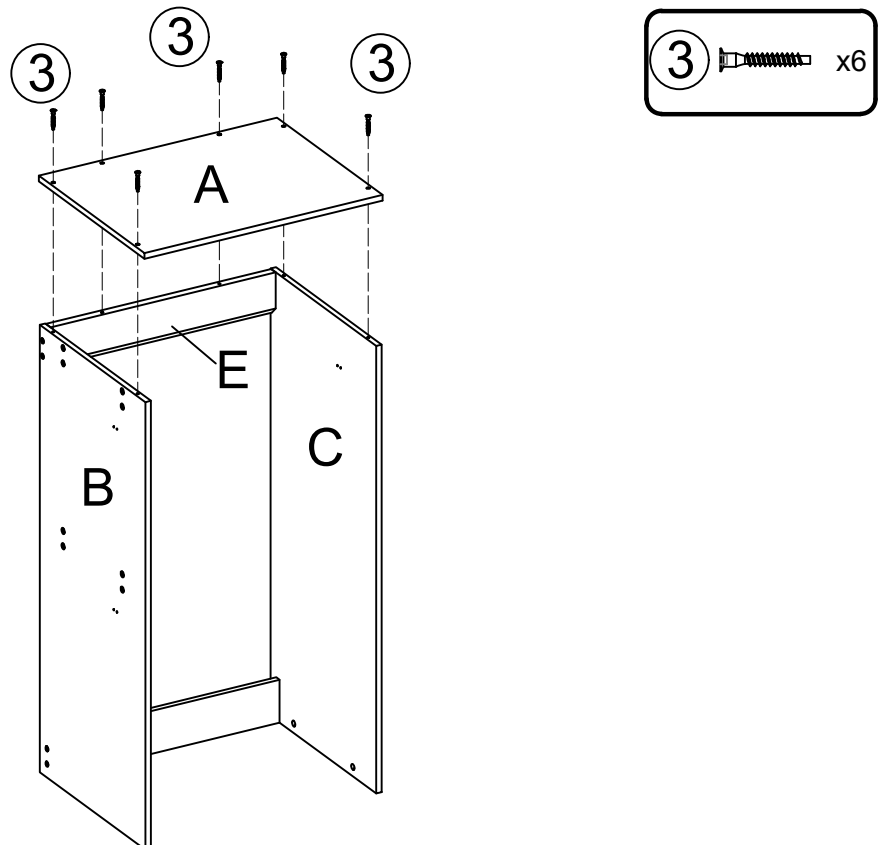
STEP 4



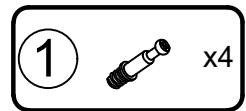
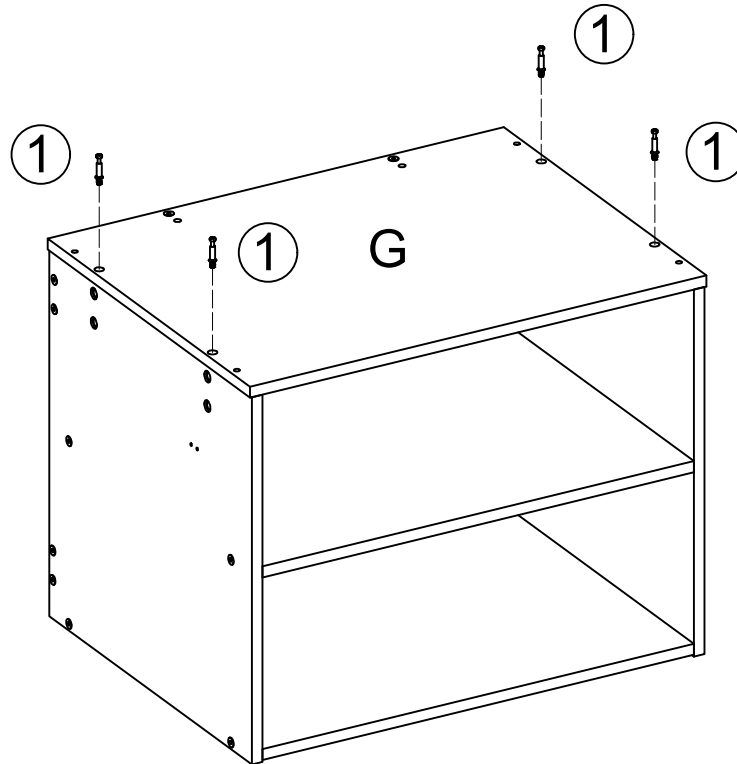
STEP 5



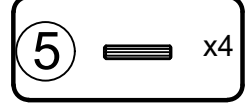
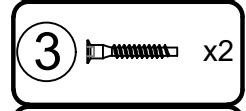
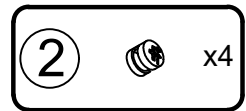
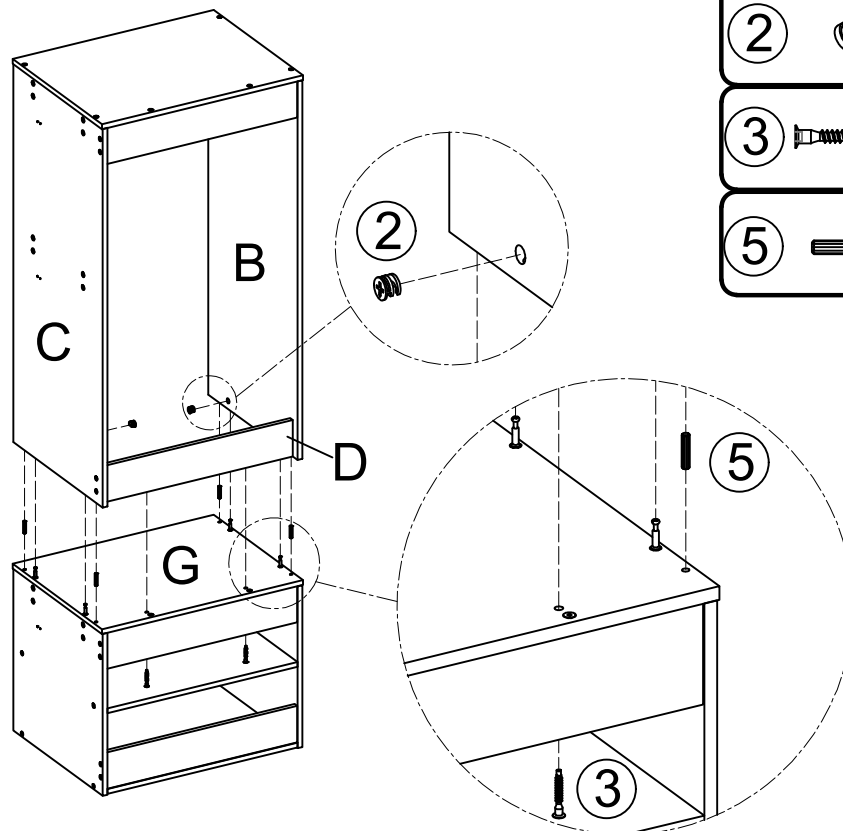
STEP 6



STEP 7

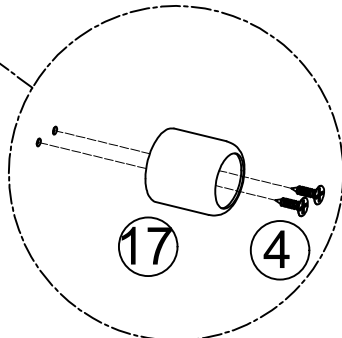
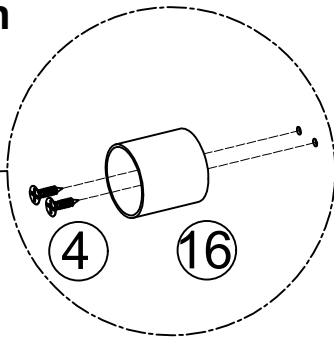
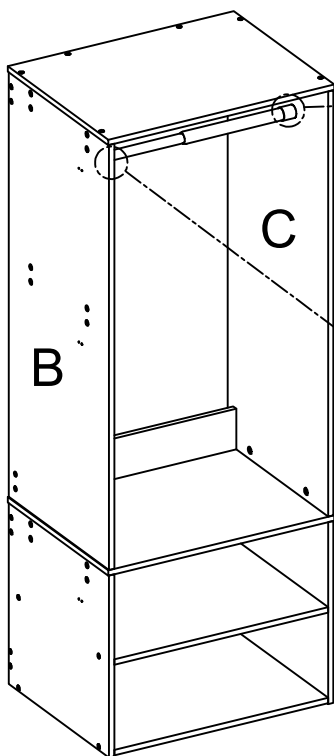






STEP 8



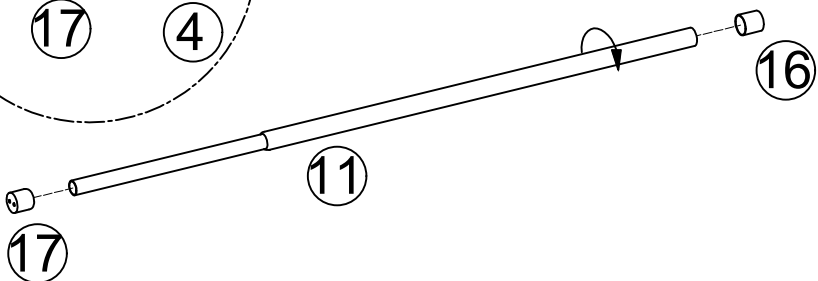
STEP 9

Inner Pole Installation



4		x4
11		x1
16		x1
17		x1

Note: Twist the expandable pole clockwise to tighten. anticlockwise to loosen.

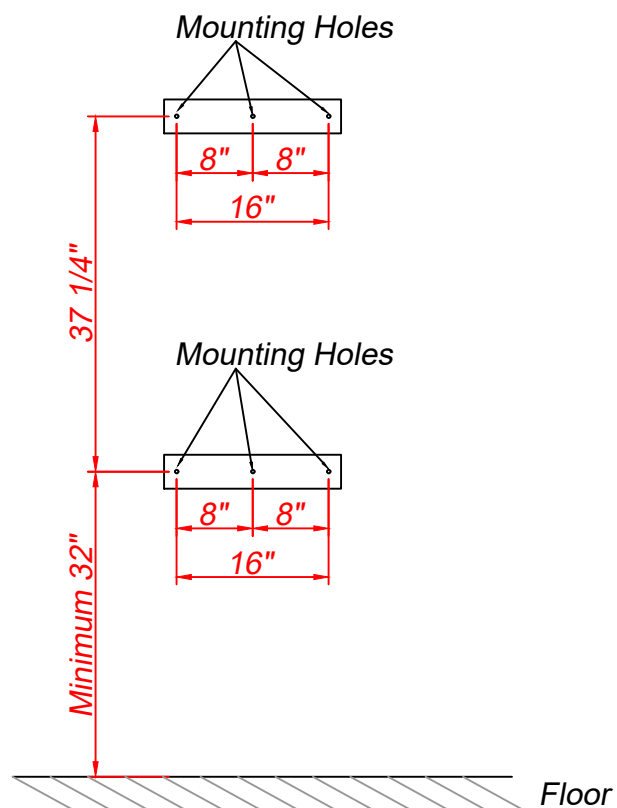


STEP 10

Wall Hanging Installation

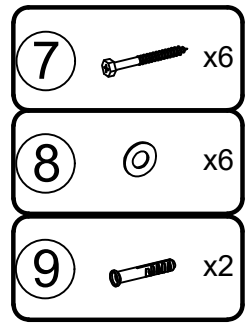
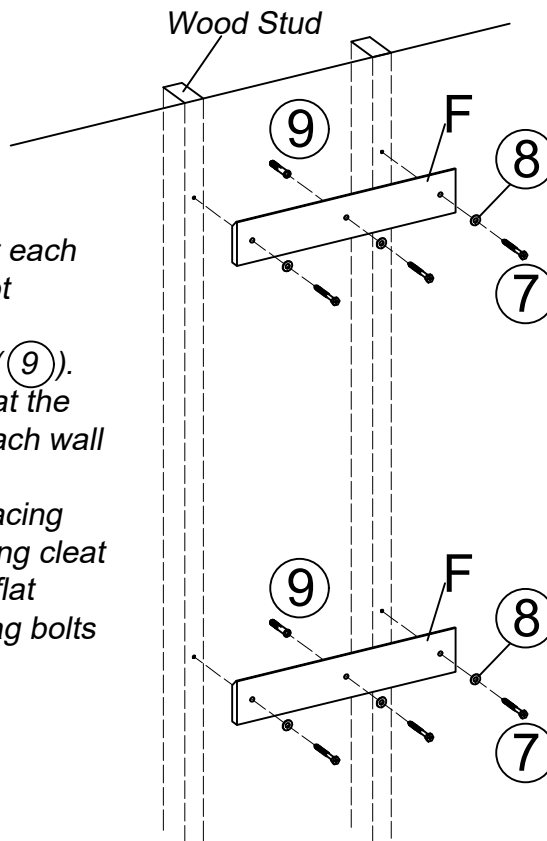
Using a stud finder, mark the center line of each wall stud with a vertical reference line. Mark the mounting holes for the wall hanging cleat (F) using a pencil (not included) as shown.

Note: The center of the lower holes should be no less than 32 in. from the floor.



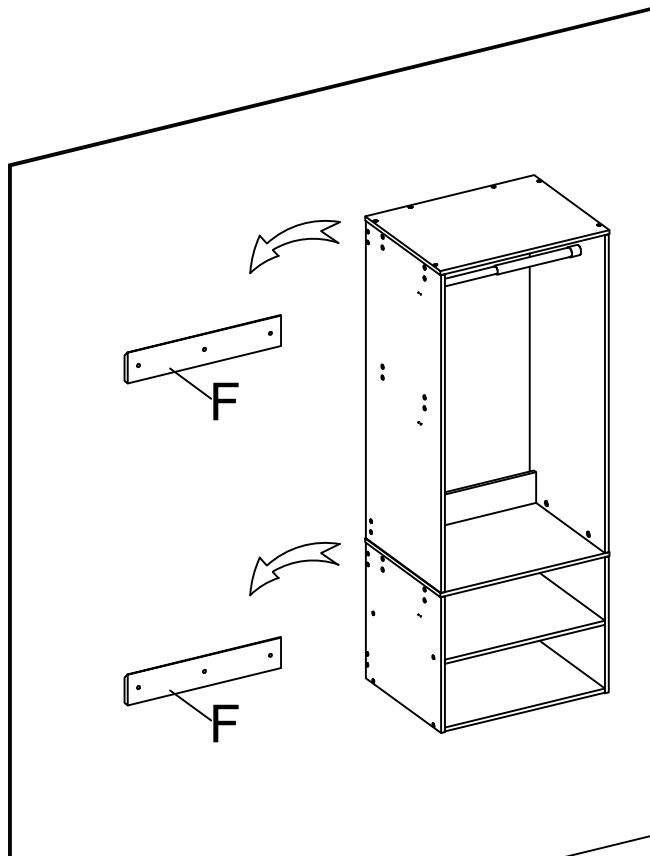
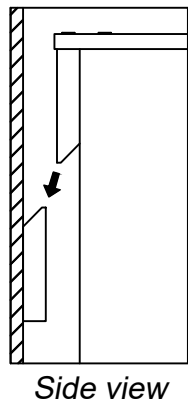
STEP 11

Drill a 3/8 in. pilot hole at each of the mounting holes not marked on a stud.
Insert concrete anchors ((9)).
Drill a 3/16 in. pilot hole at the marked locations over each wall stud.
With the beveled edge facing up, attach the wall hanging cleat (F) to the wall using the flat washers ((8)) and M8 lag bolts ((7)).



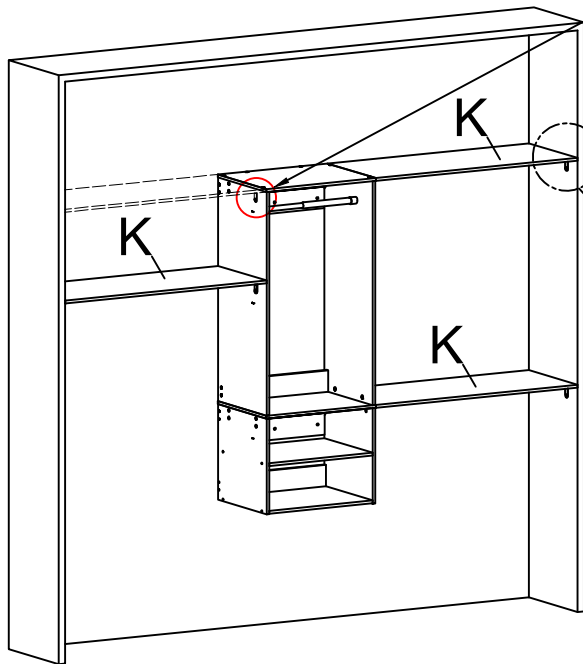
STEP 12

With the help from another person, carefully hang the unit onto wall hanging cleat (F).

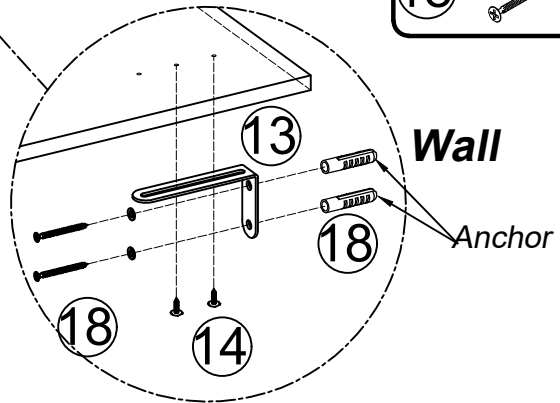
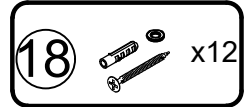
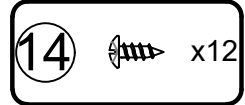
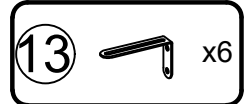


STEP 13

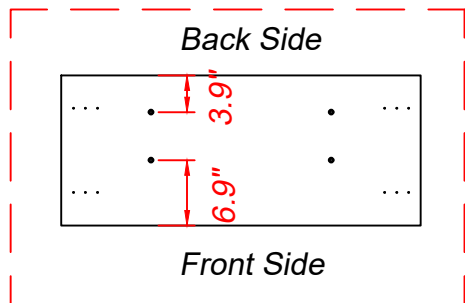
Long Shelf Installation



There are 3 heights for the Left shelf and pole to be adjusted as you need.



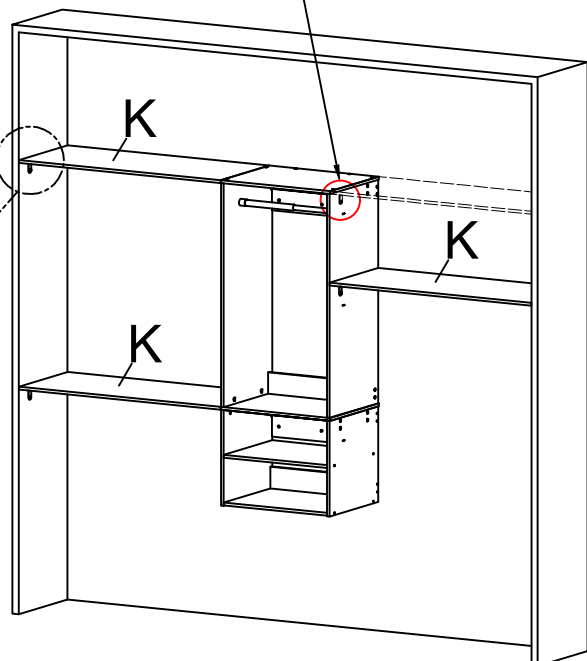
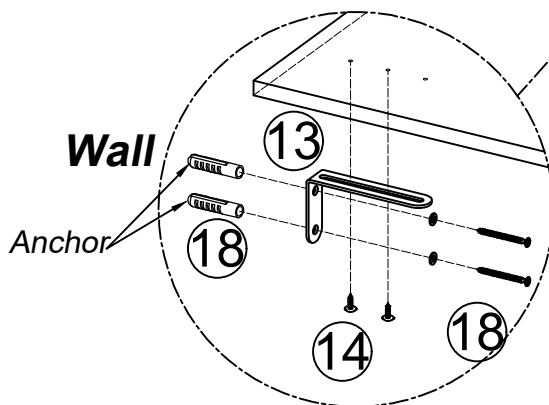
Note: If long shelf (K) needs cut to fit inside your closet space, cut only one side of the shelf and do not use a hacksaw. It is recommended you hire an insured remodeler for this type of installation.



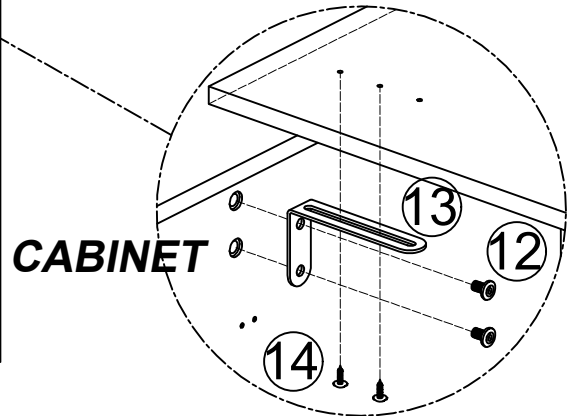
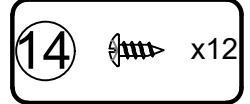
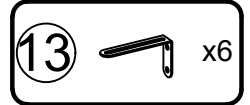
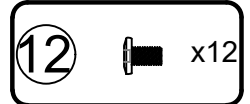
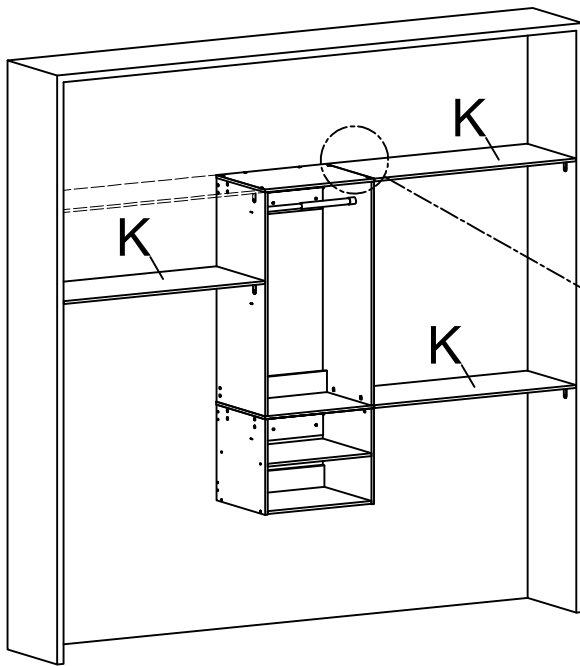
Keep the holes of the Part K toward this direction as shown

OR

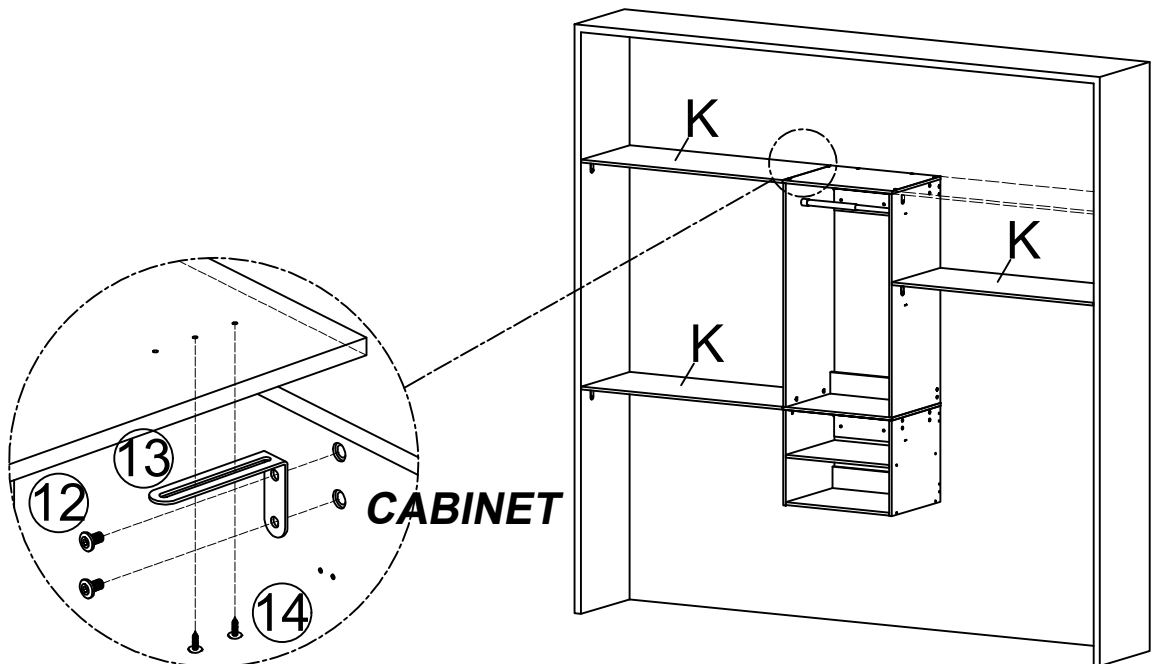
There are 3 heights for the right shelf and pole to be adjusted as you need.



STEP 14

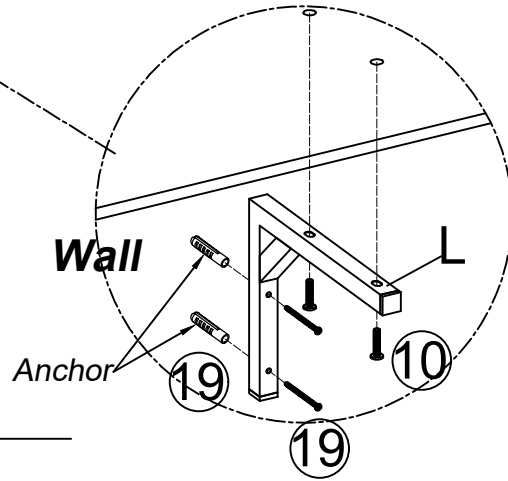
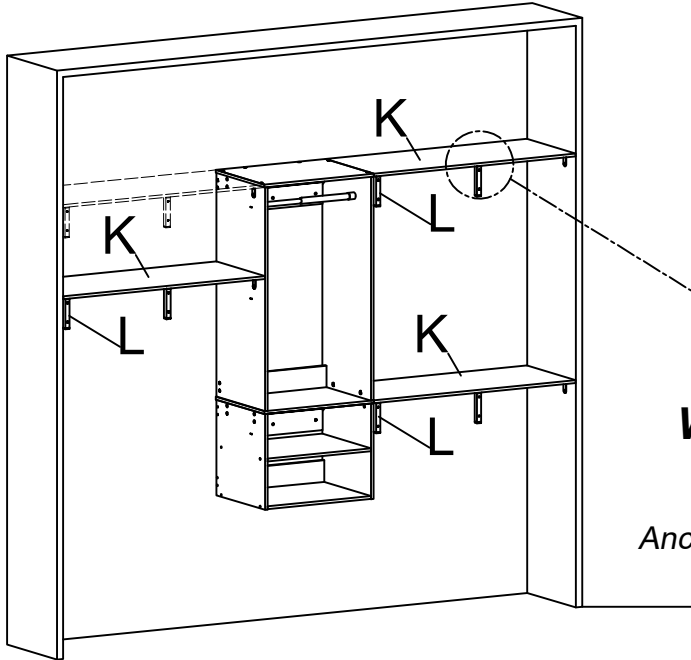
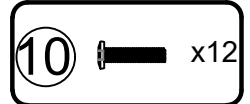


OR

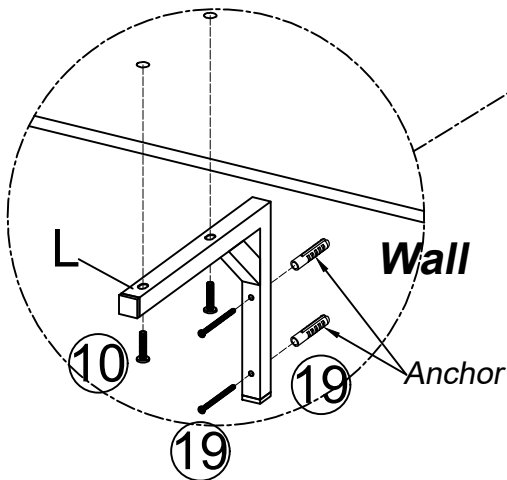
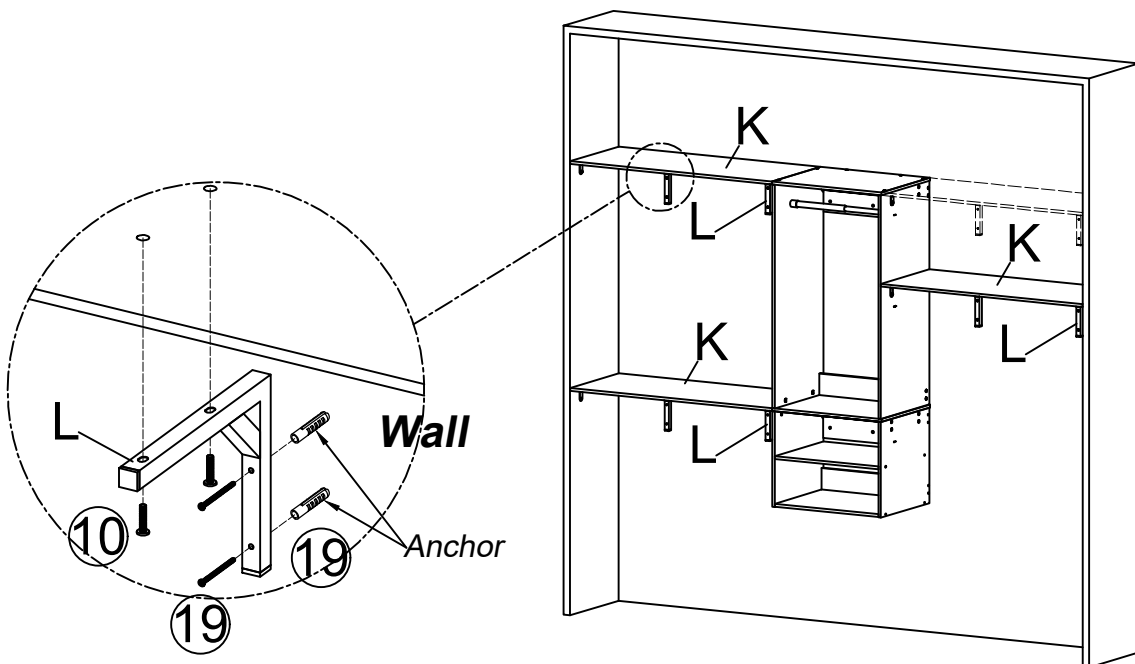


STEP 15

Shelf Support Installation

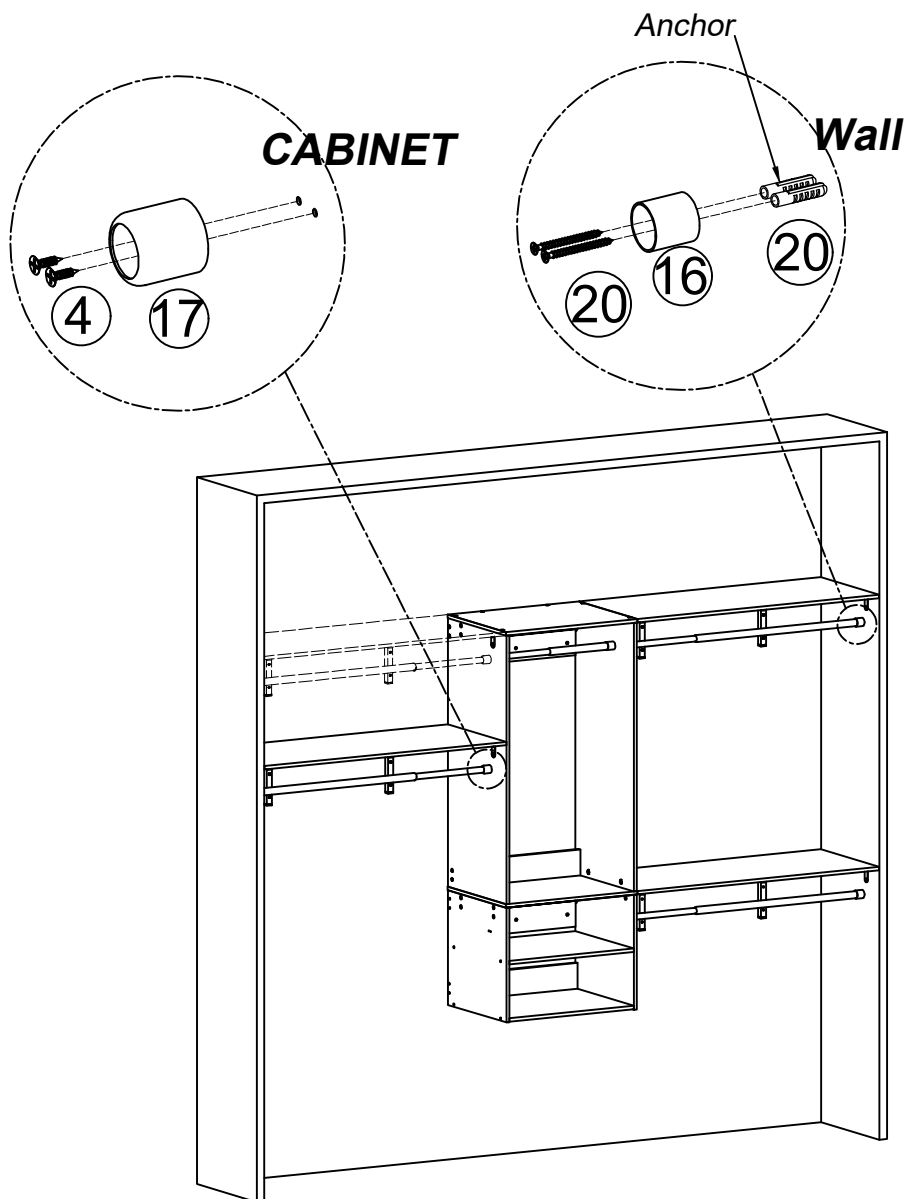







OR



STEP 16

Pole Installation



- 4  x6
- 15  x3
- 16  x3
- 17  x3
- 20  x6

Note: Twist the expandable pole clockwise to tighten. anticlockwise to loosen.

