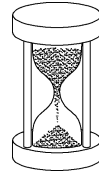
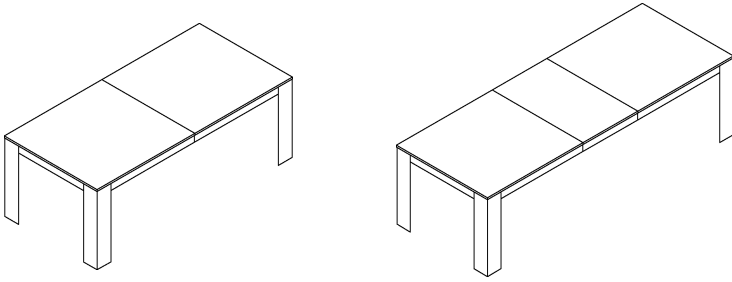
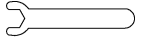
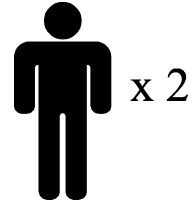


EXTENDABLE 84" RECTANGULAR DINING TABLE ASSEMBLY INSTRUCTIONS

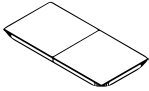
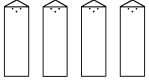


15 MIN







TOOLS REQUIRED
(Wrench provided)

PART LIST

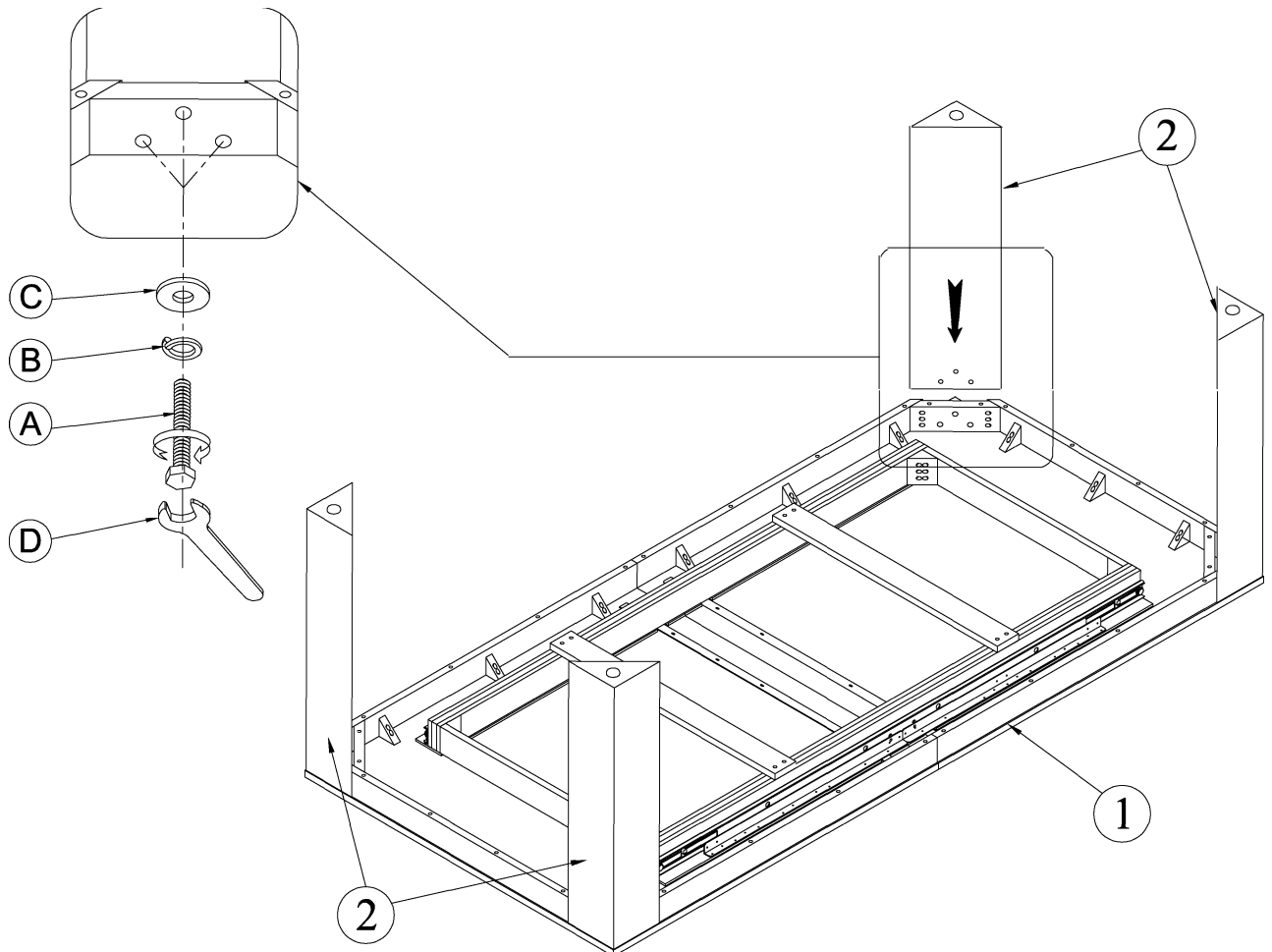
No.	Description	Sketch	Quantity
1	TOP		1pc
2	LEGS		4pcs
3	EXTENSION LEAF		1pc

HARDWARE LIST

No.	Description	Sketch	Size	Quantity
A	Bolt		M8 x 50mm	12pcs
B	Spring Washer		M8 x 2 x 13mm	12pcs
C	Flat Washer		M8 x 2 x 19mm	12pcs
D	Wrench		13 x 85 mm	1pc

STEP 1

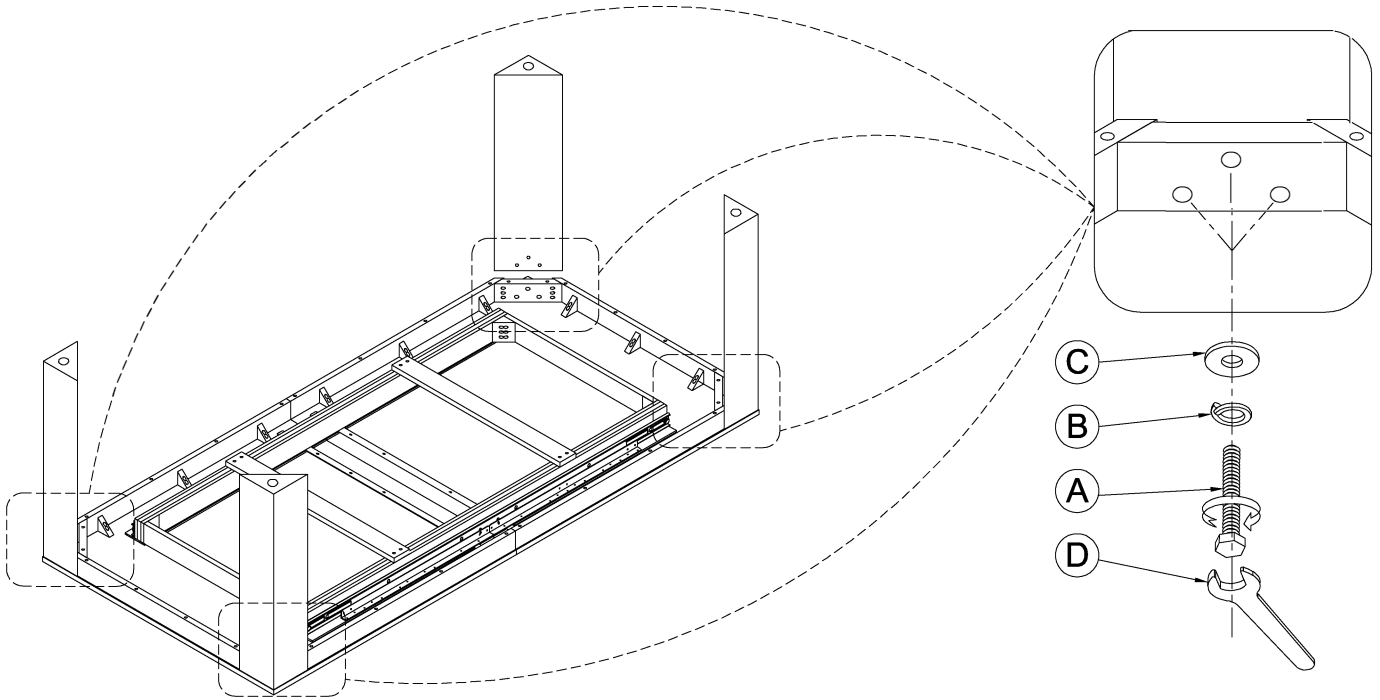
Center legs at the corner and align with pre-drilled holes. Secure and tighten screws to attach the leg



EXTENDABLE 84" RECTANGULAR DINING TABLE ASSEMBLY INSTRUCTIONS

STEP 2

Repeat this step in all 4 corners to install the legs



STEP 3

Carefully reposition the table upright and move
TABLE LOCKS to open position (see image).

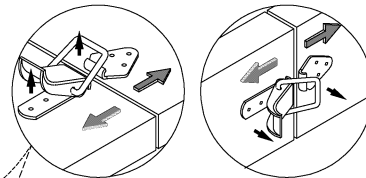
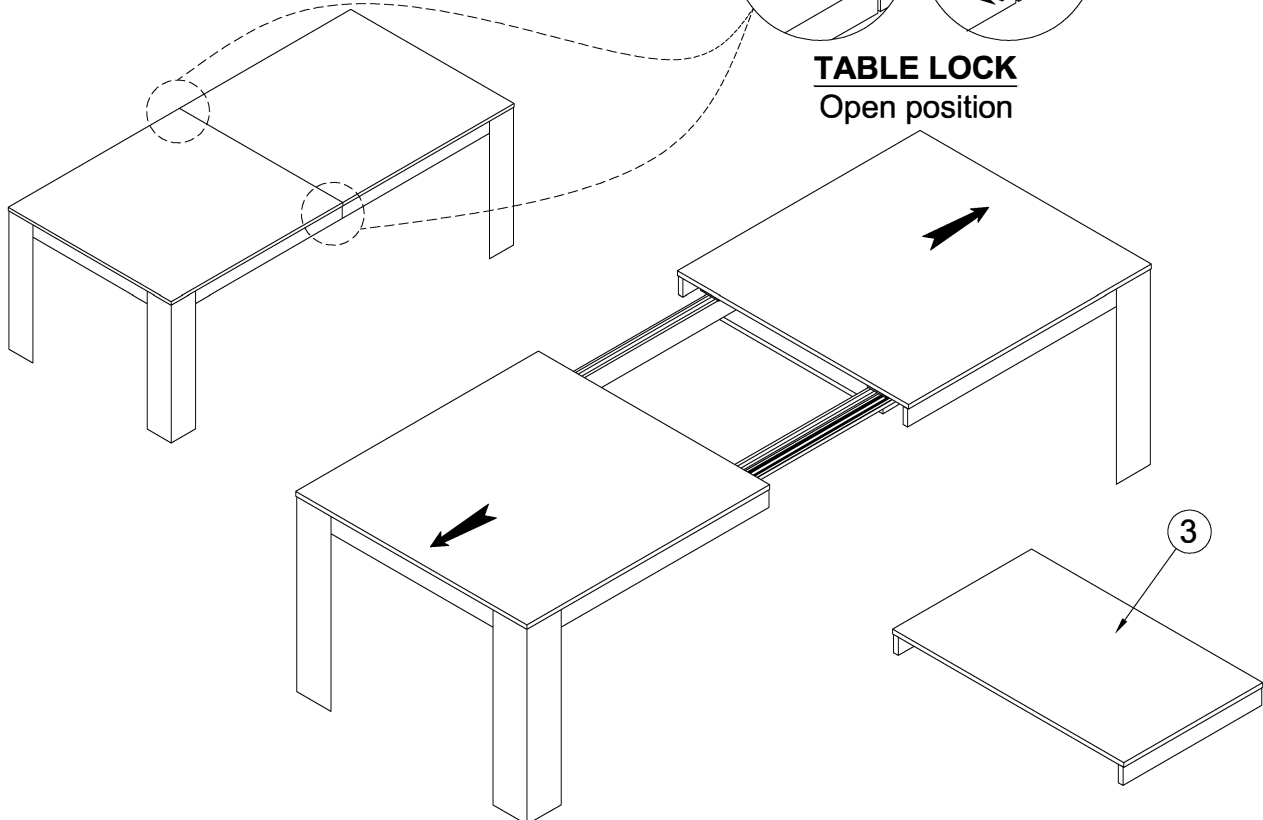


TABLE LOCK
Open position



Open the table to insert Extension Leaf (Part 3)

EXTENDABLE 84" RECTANGULAR DINING TABLE ASSEMBLY INSTRUCTIONS

STEP 4

Reposition the Extension Leaf at the center of the table and align with the rest of the table. Move both parts of the table (left and right) close to the Extension Leaf and ensure there are no gaps.

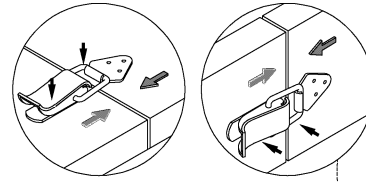
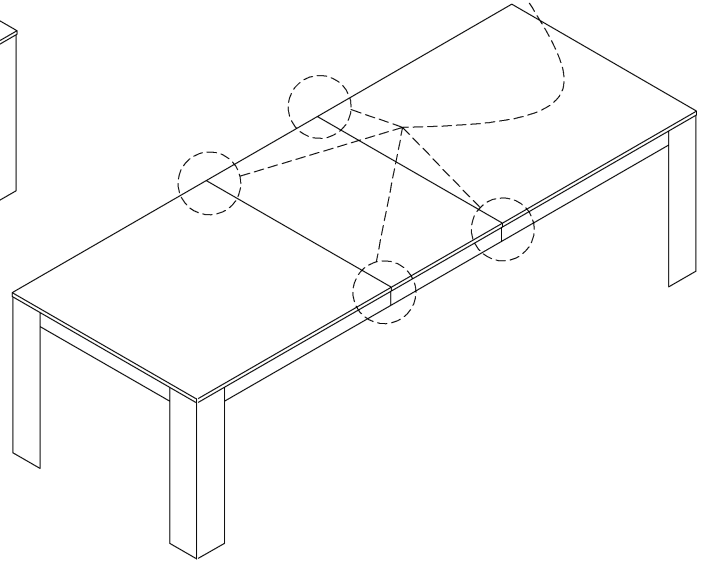
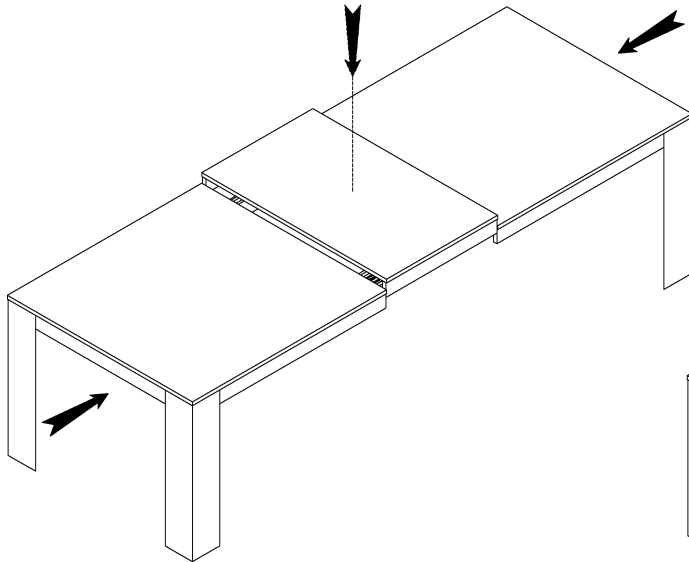
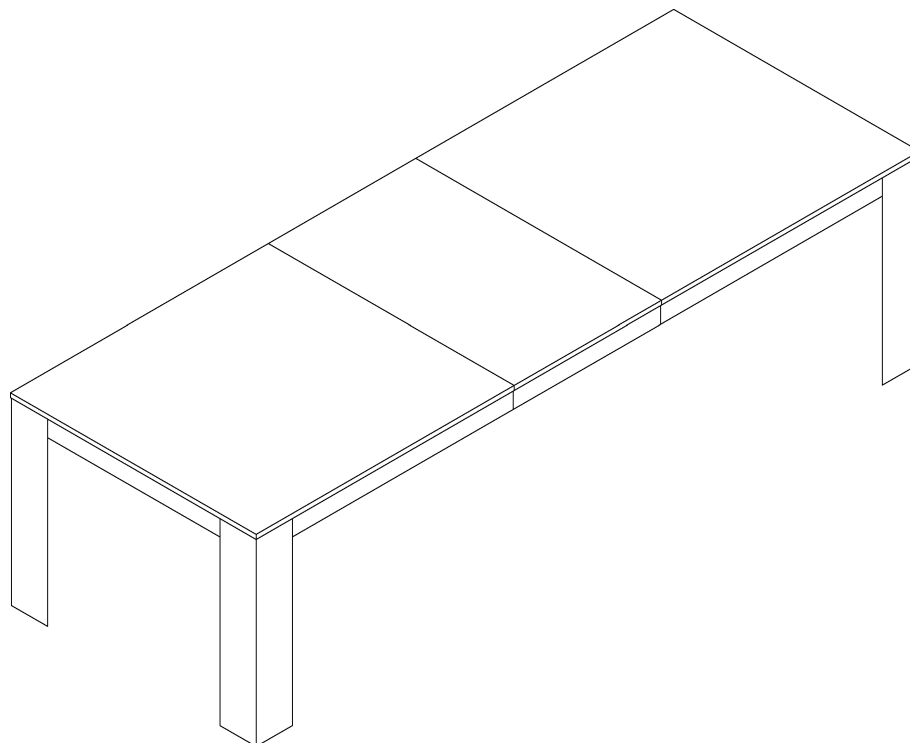


TABLE LOCK
Closed position



Move **TABLE LOCKS** to the Closed Position (see image), to secure all parts of the table top.

ASSEMBLY COMPLETED



CAUTION ! : REQUIRES TWO ADULTS TO FLIP AND TURN TABLE UPRIGHT AFTER ASSEMBLY IS FINISHED.