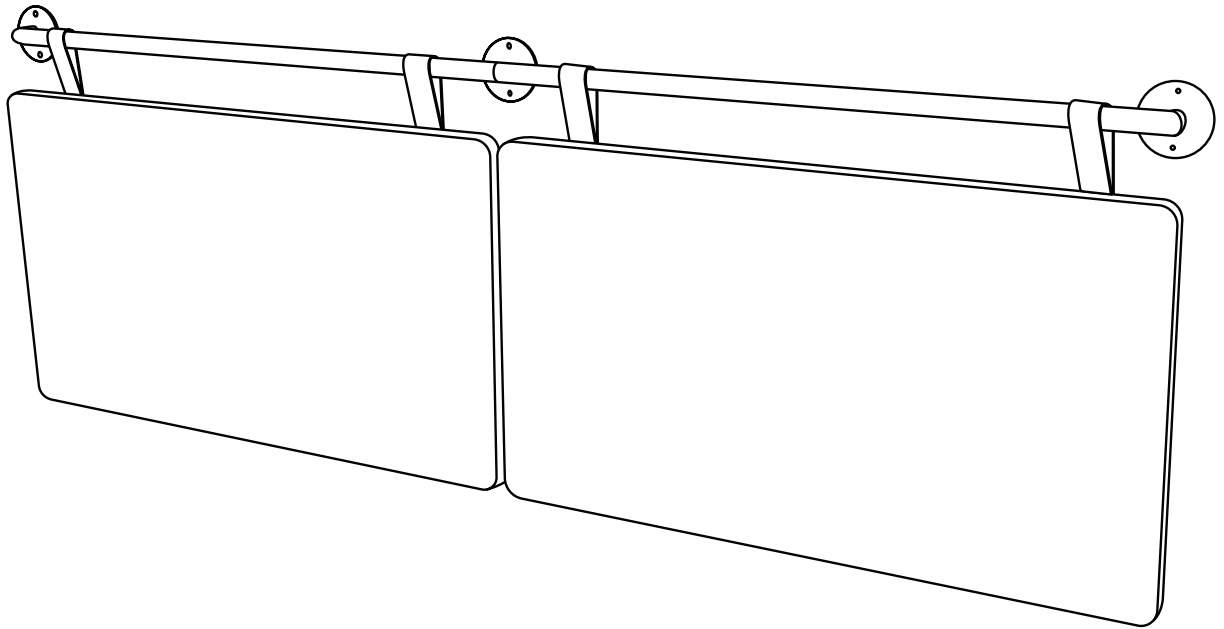


OWNER MANUAL



Ok, let's get rolling

This should be easy, just follow our instructions and you will be back in no time.

Estimated time for assembly



30:00

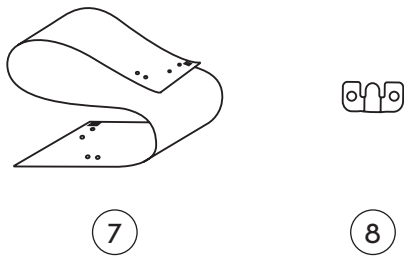
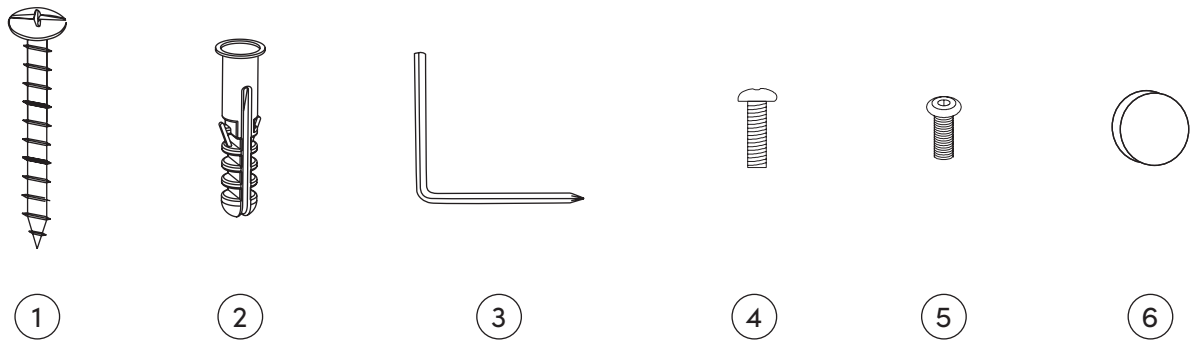
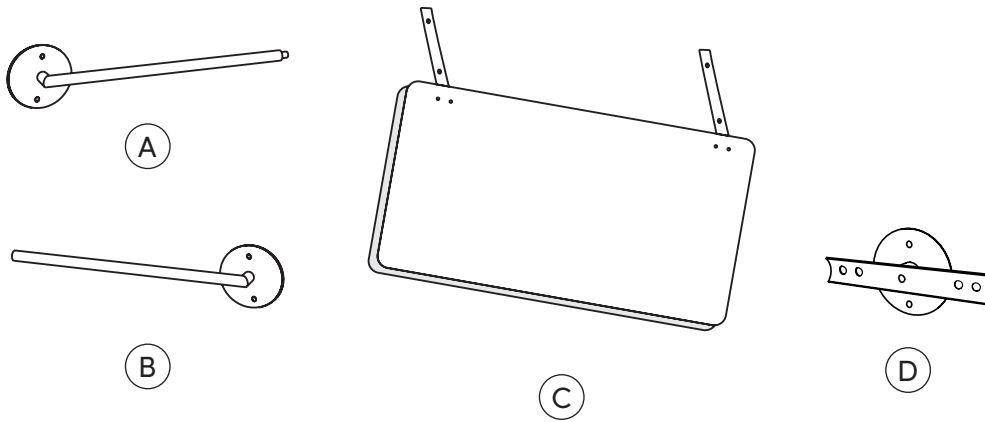
What you need

- Some of your favourite bubbly or your preferred relaxant
- Use the packaging carton as a working surface to prevent product damage during assembly
- Phillips head screwdriver
- Drill with 1/4" drill bit

What's included

Description	Qty
A Left Metal Rail	1
B Right Metal Rail	1
C Headboard	2
D Metal Connector	1
1 M4*35 mm Screw	14
2 Anchors	14
3 Allen Key	1
4 M4*14 mm Bolt	8
5 M6*12 mm Bolt	4
6 EVA Pad	12
7 Mounting Installation Template	1
8 Bracket	8

The goods

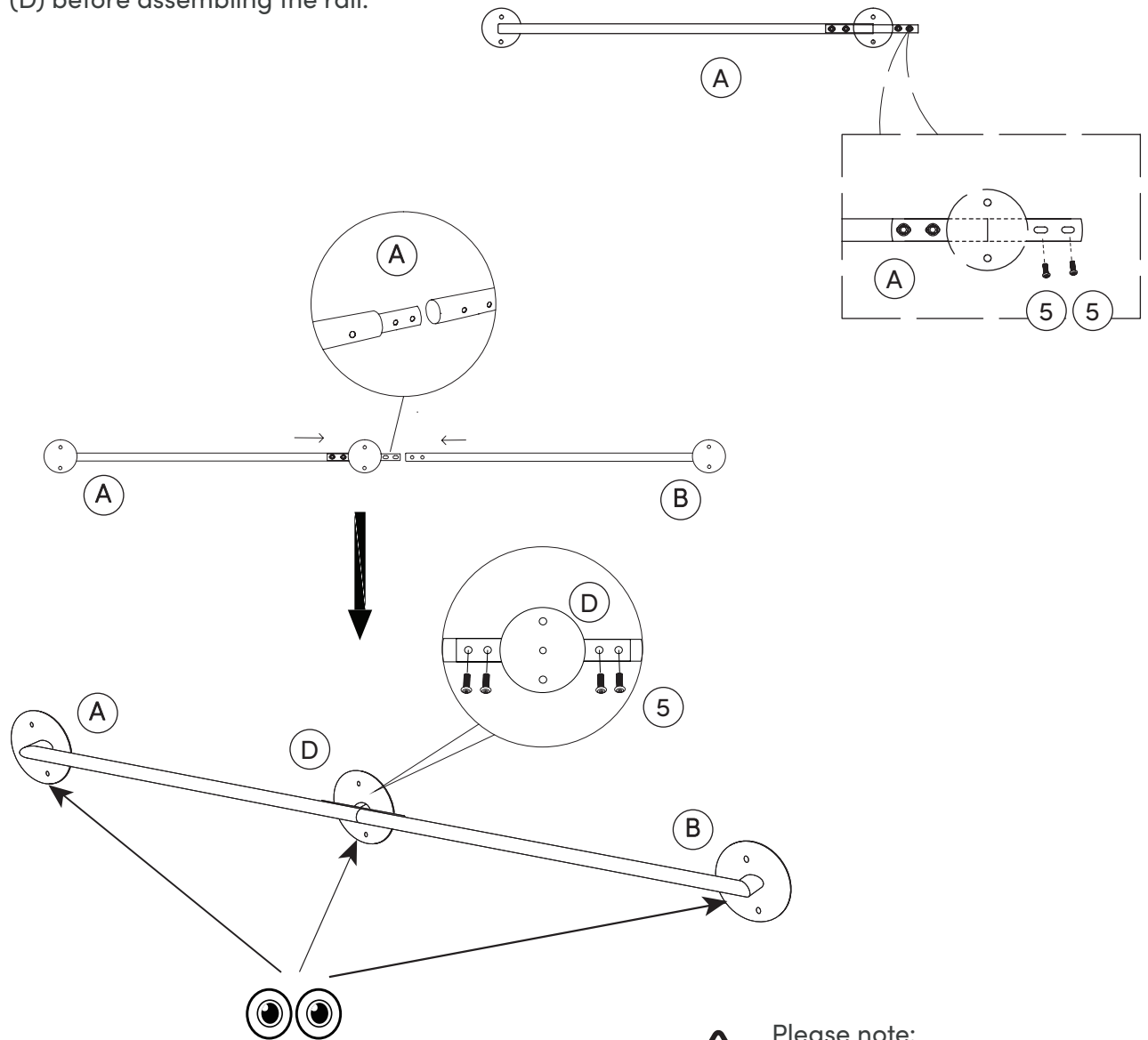


IMPORTANT

1. Do not tighten bolts / screws completely until all bolts / screws are lined up and inserted into holes.
2. Do not over tighten screws and bolts to avoid stripping.
3. Please use hand tools to assemble this product. Do not use power tools.

Step 1

Let's get this thing fired up!
Assemble the Left and Right
Metal Rails (A)(B) using the Metal
Connector (D). Secure with M6*12
mm Bolts (5). Remember to remove
the 2 bolts in the Metal Connector
(D) before assembling the rail.



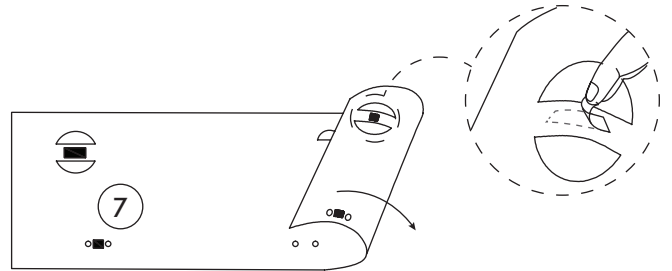
Please note:
Part (A), (D), and (B) need to be on
the same level before you secure
them with the M6*12mm bolts (5).

Step 2

Using the Mounting Installation Template

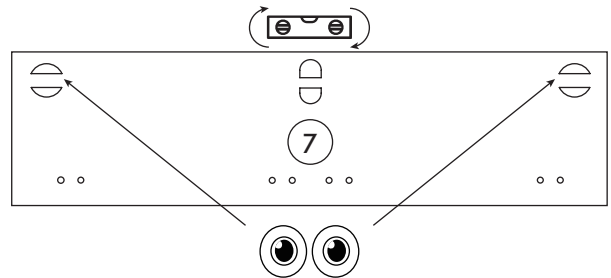
Unroll it

Unroll paper Mounting Installation Template (7) and remove the adhesive backing.



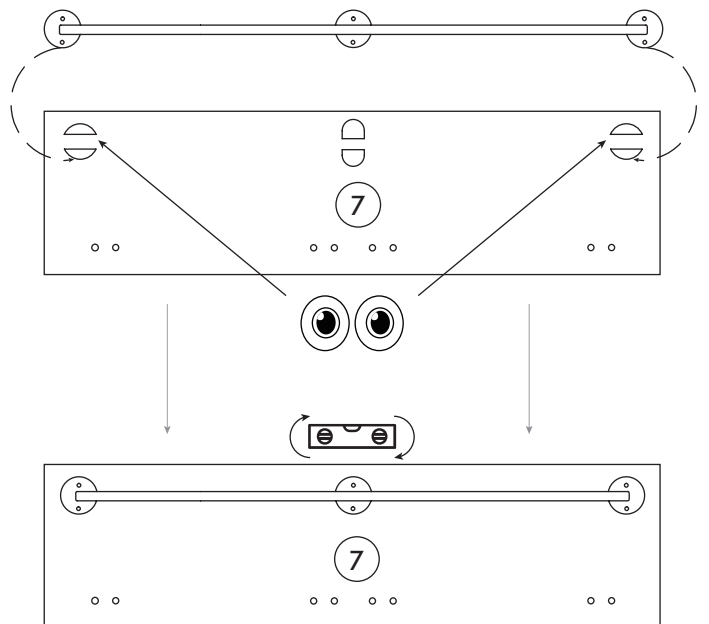
Place it

Locate where you would like to mount the headboard and apply Mounting Installation Template (7) to the wall in that location. Make sure the template and holes are level.



Match it

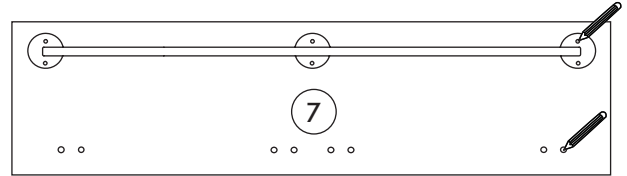
Using the template as a guide, match the circular plates on the metal rails with the circular cut-outs on the top of the paper template in order to accurately mark where all the holes will need to be.



Step 2 Cont.

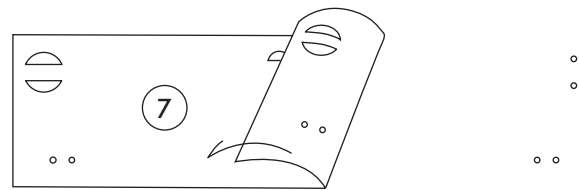
Mark it

Using the holes in the template and the metal rail as a guide, mark the location of each hole on the wall. These will become your guides as to where to drill the holes for the wall anchors.



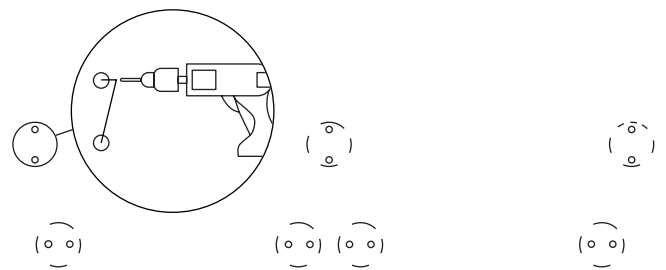
Remove it

Slowly remove the paper, ensuring that all holes have been marked.



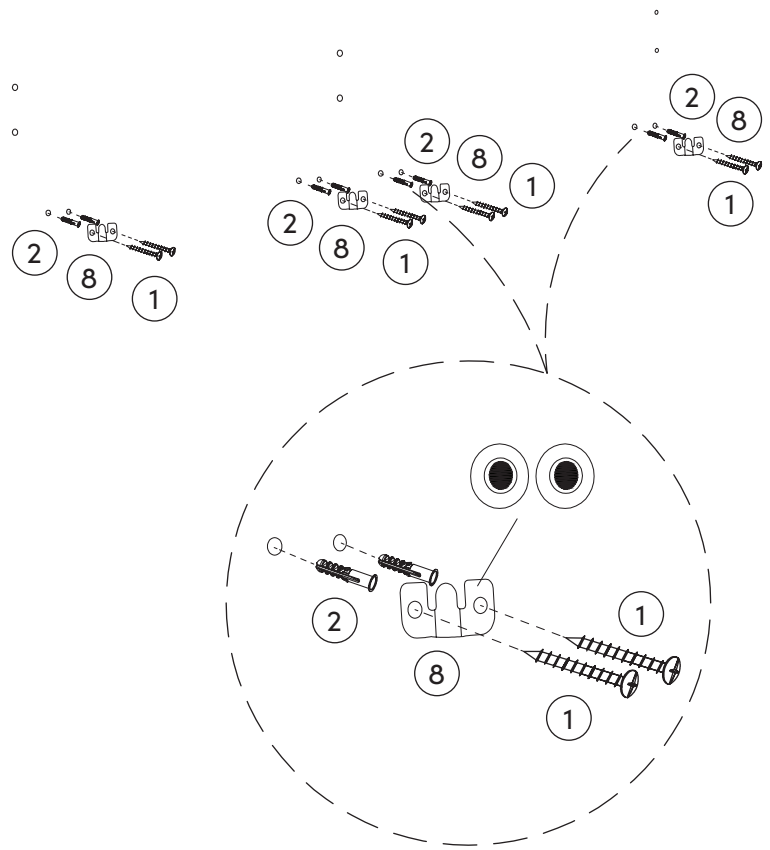
Drill it

Drill each hole with a 1/4" drill bit.



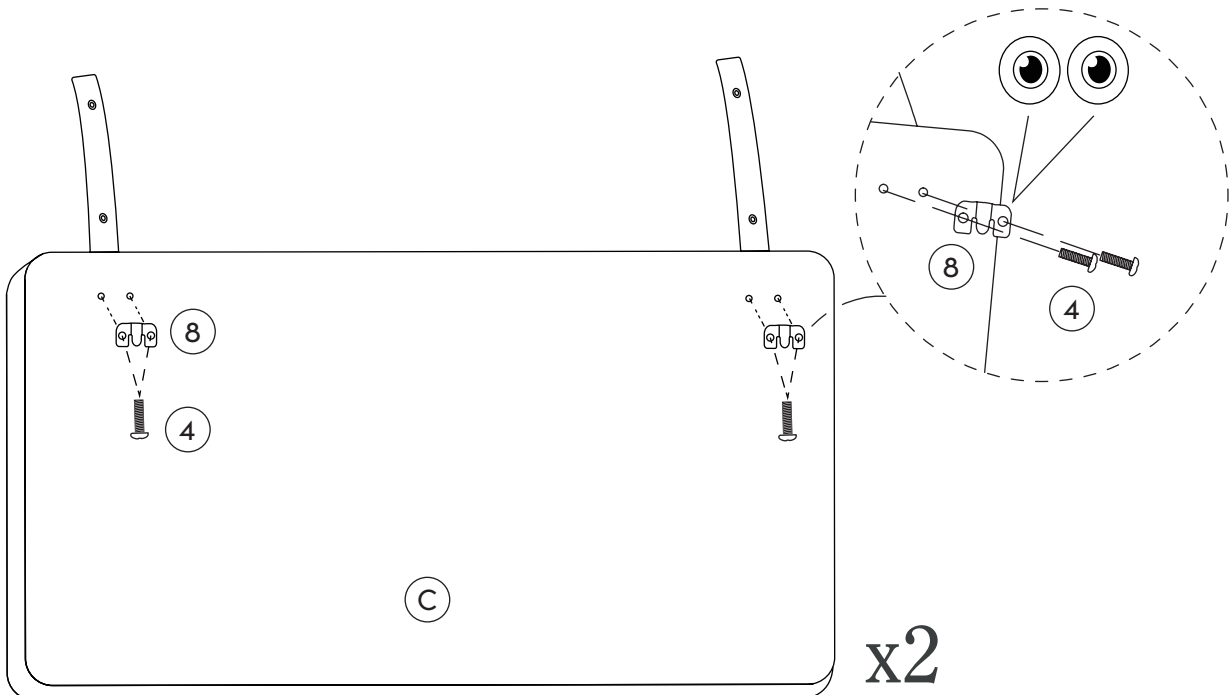
Step 3

Install Brackets (8) on the wall. First insert the Anchors (2), then mount the Brackets (E) with the M4*35 mm Screws (1) into the Anchors (2). See the graphic below for hole locations and bracket orientation.



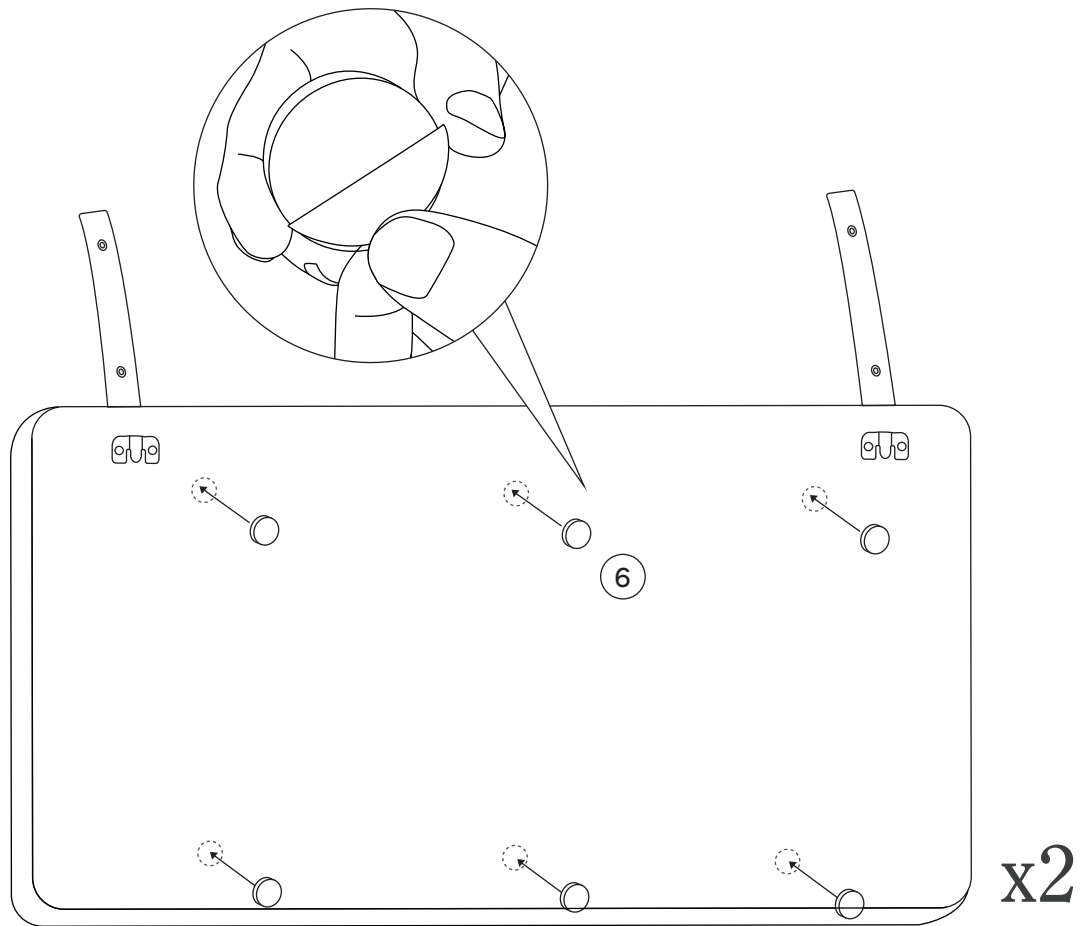
Step 4

Attach the Brackets (8) to the back of the Headboards (C) with M4*14 mm Bolts (4). Repeat this process for both Headboard panels.



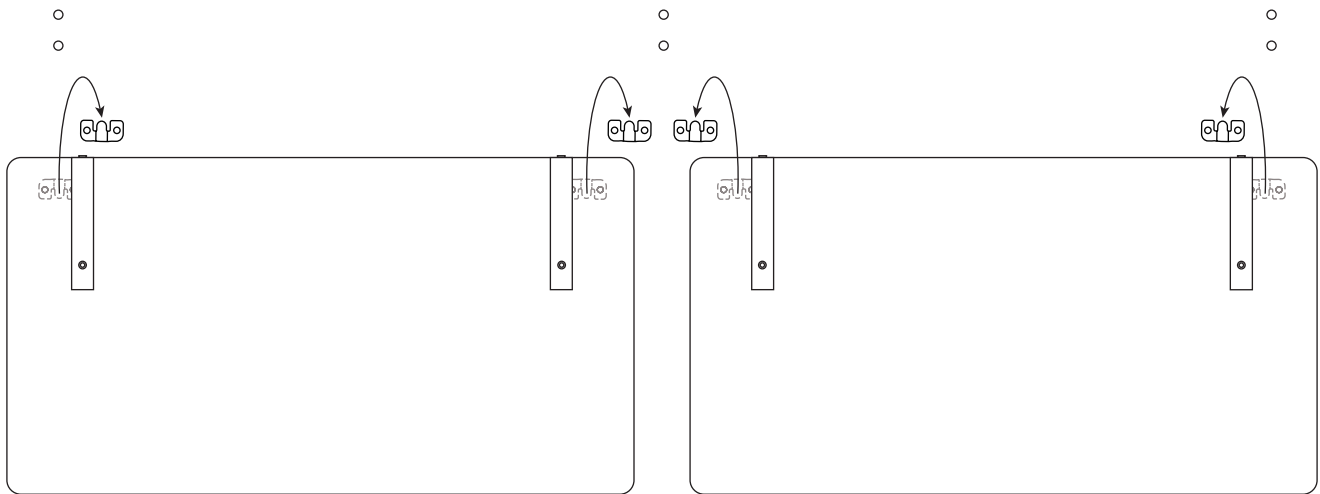
Step 5

Apply the EVA Pads (6) to the back of the Headboard panels.

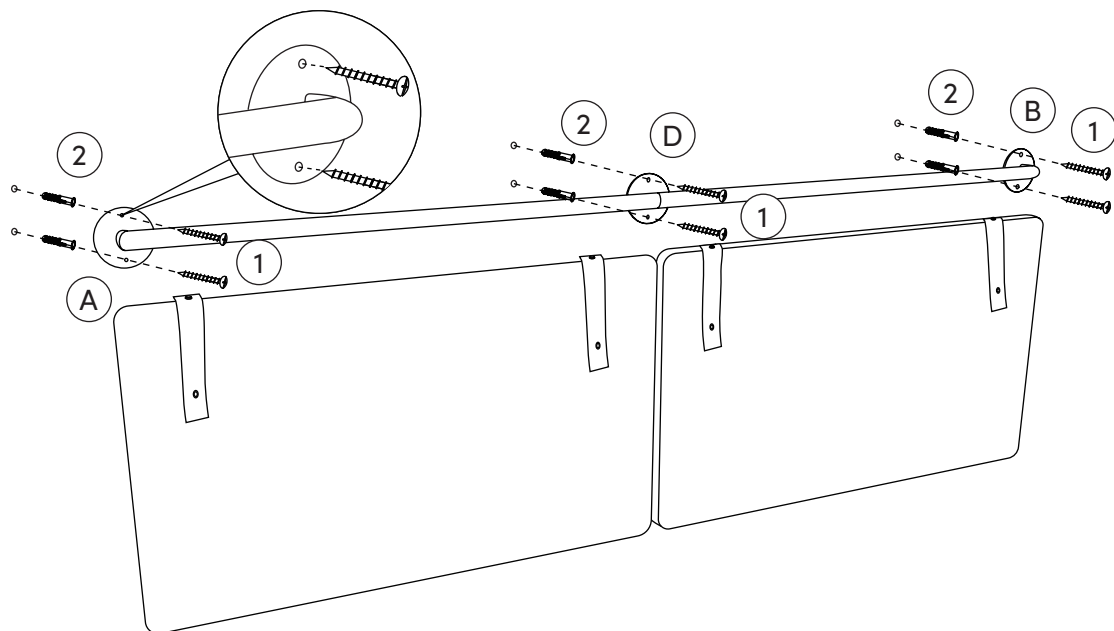


Step 6

Mount the panel on the wall by matching the brackets on the back of the panel with the brackets that you just installed on the wall.

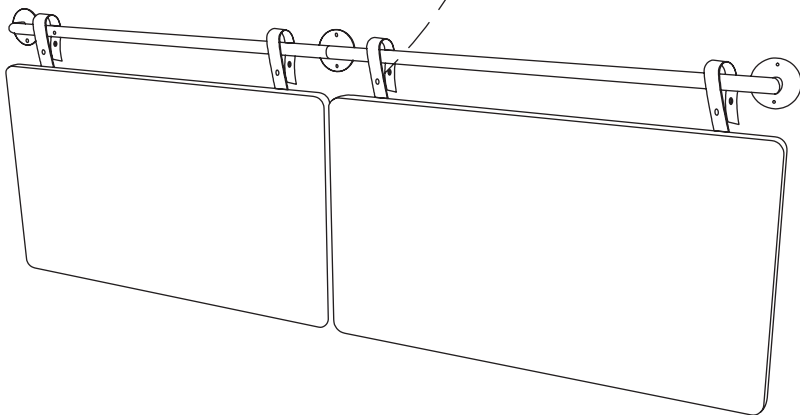
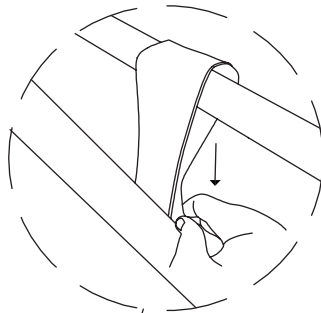
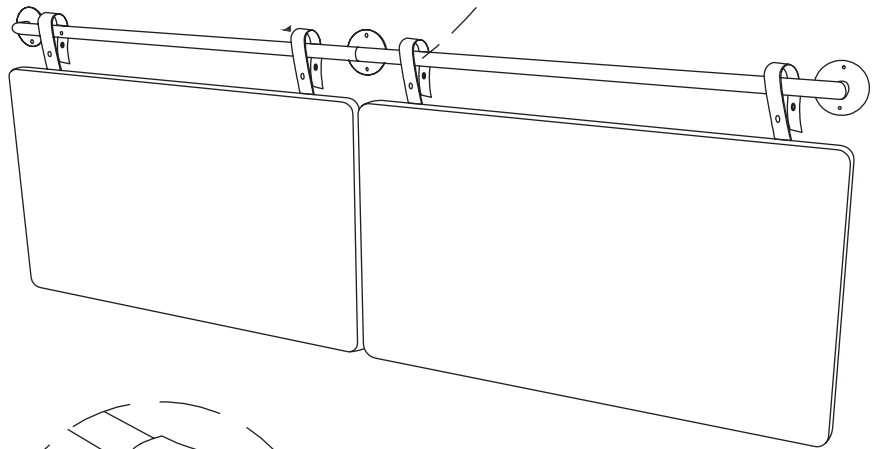
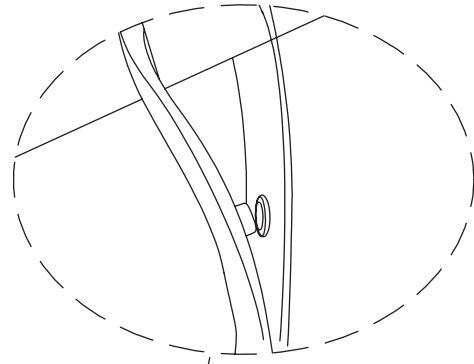


Now it's time for the Rail! First, insert the Anchors (2), then mount the Rail with M4*35 mm Screws (1) into the wall anchors.



Step 7

You made it to the last step! We knew you could do it. Now all that's left to do is to flip the straps over the rail and tuck the end of the straps behind the headboard. Sweet dreams!



No heartburn, when we handle the return

Our way



Give us a call



Replacement



You

Their way



Re-package item



Schedule pick up



Track package



Replacement



You

We really don't want you to go through the hassle of re-packaging your item and sending it back, because let's be honest...nobody has time for that.

Safety first, fun later

We want your last as long as possible, so we recommend that you tighten the screws 2 weeks after assembly and for added safety check the tightness of all screws every 2 months.

Safe use of this product starts with you.

Use this responsibly with the primary concern for your safety. Follow assembly instructions carefully and inspect product upon receipt and each use.

Do not modify the structure of this product in any way.

Our products have been tested to meet specific safety measures as they were originally intended to be sold. Any modifications will present the risk of creating significant safety issues which will not be responsible for.

Proper use

- DO NOT** use for commercial purposes
- DO NOT** put on uneven surface
- DO NOT** put hot serving liquid directly on headboard
- DO NOT** use headboard if broken or damaged
- DO NOT** make temporary repairs
- DO NOT** use outdoors

We are only in business if you're happy

For starters, thanks for being you.

We do our best to ensure your furniture arrives without any problems, but occasionally mistakes happen—as humans we are imperfect beings. In the event that a part is damaged or missing, we will be more than happy to provide you with replacement part(s) for free.