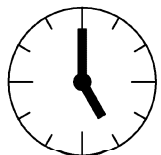
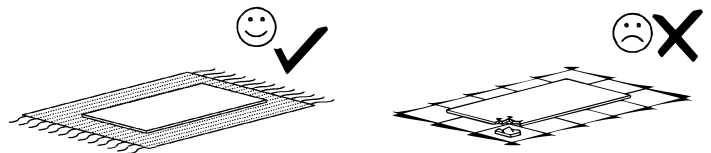
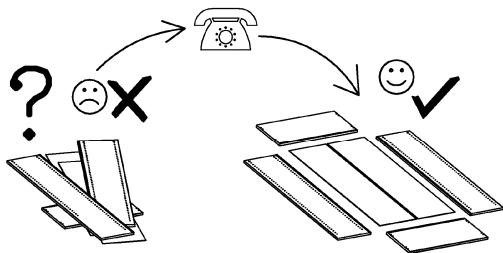
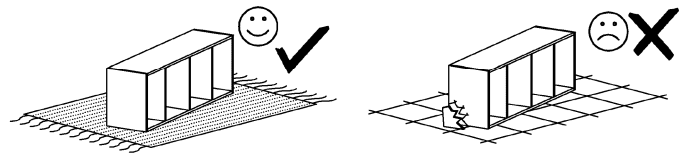
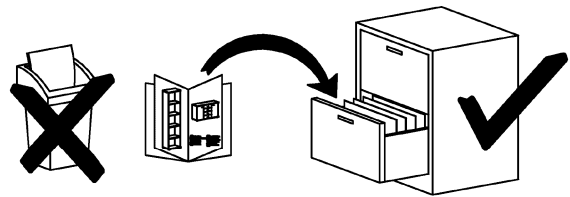
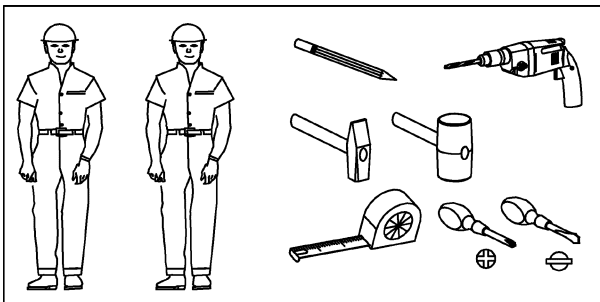
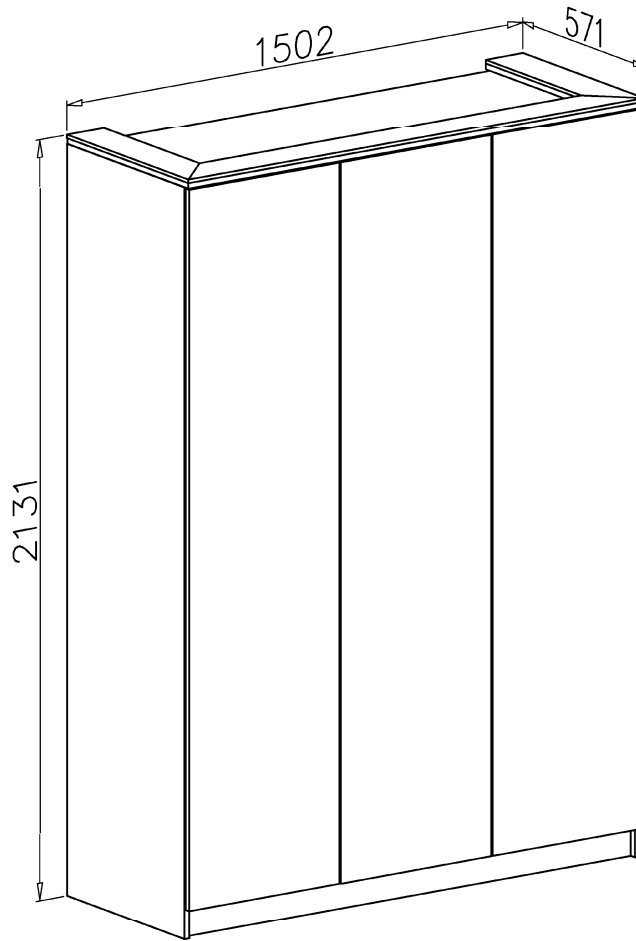
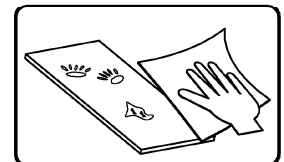
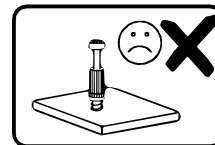
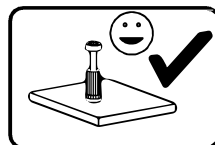
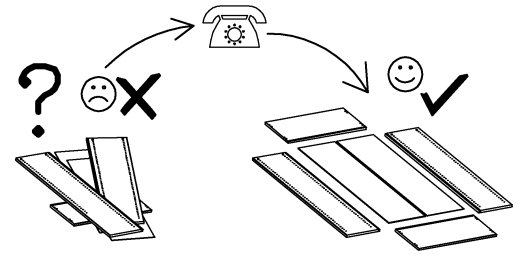
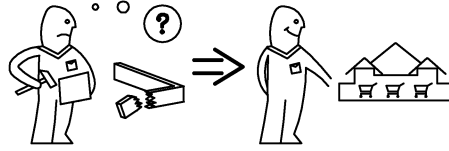
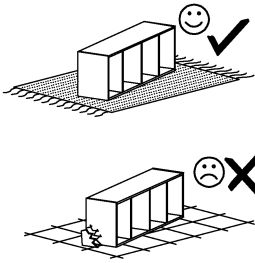


# szafa 3D korona

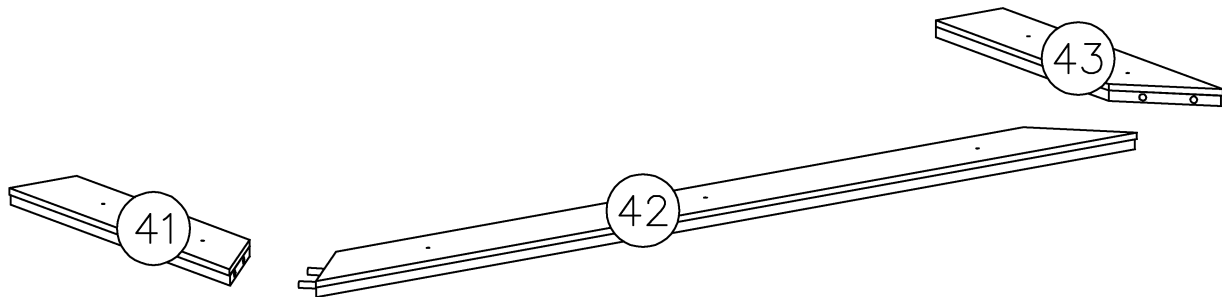





0,5h

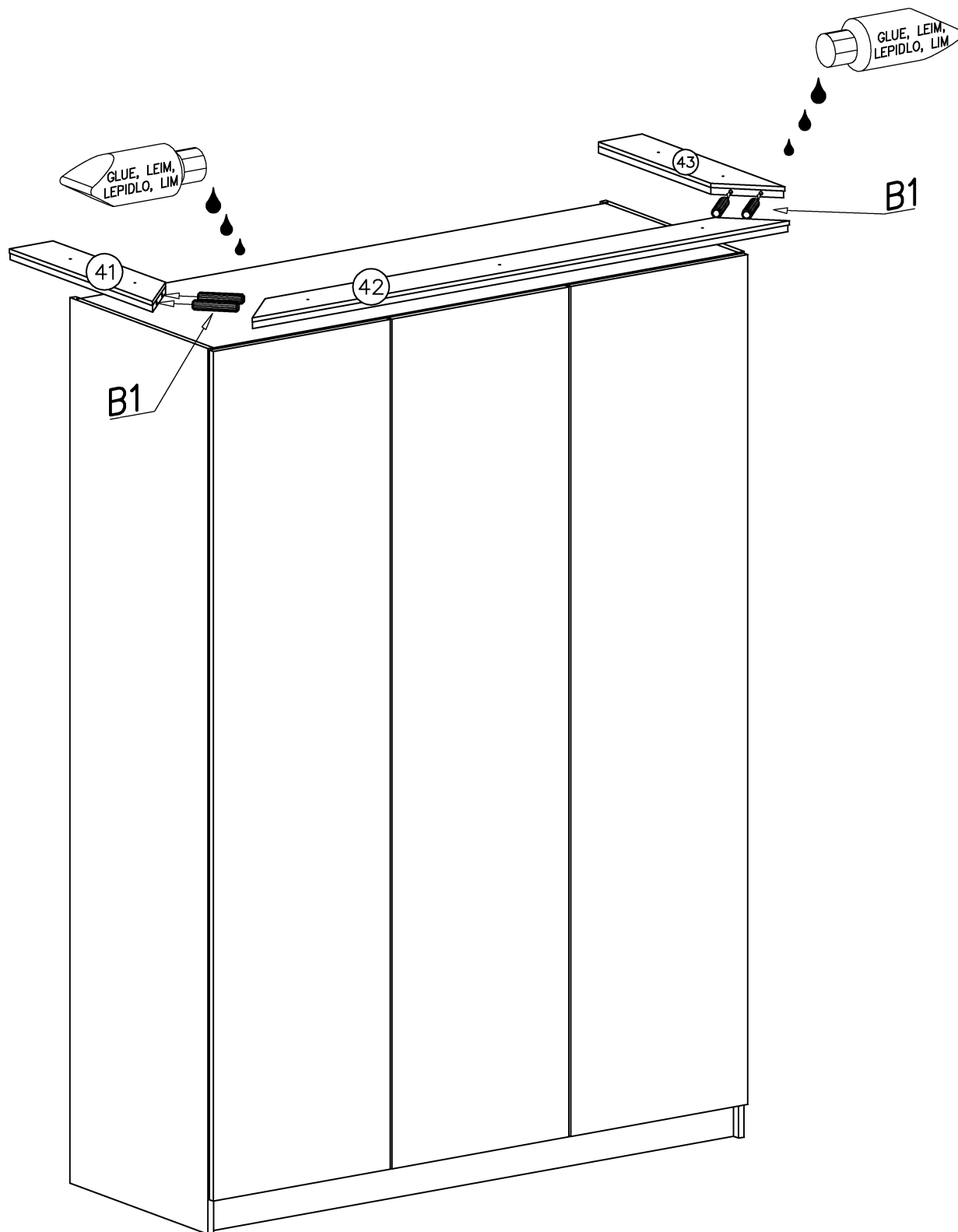




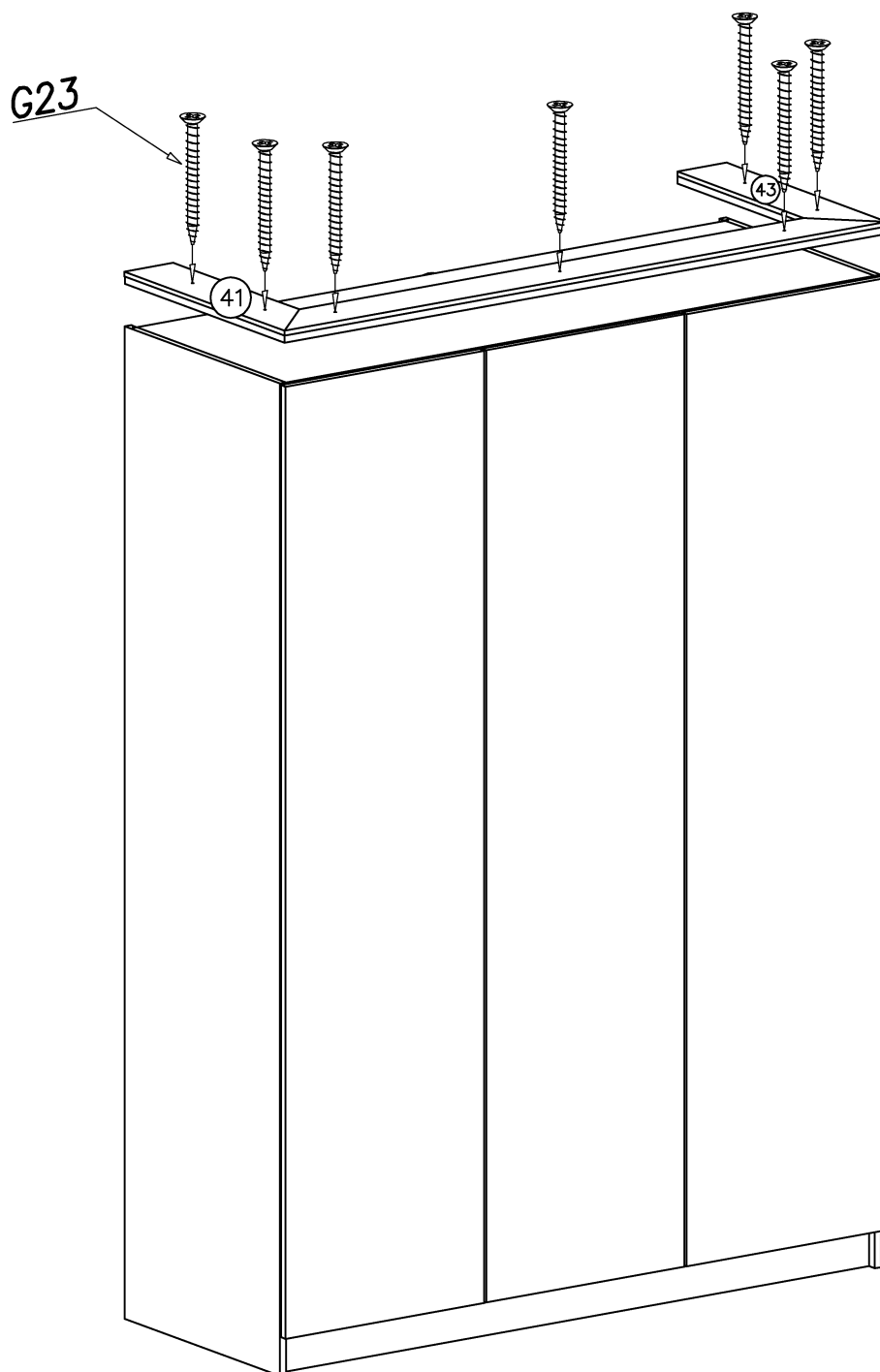
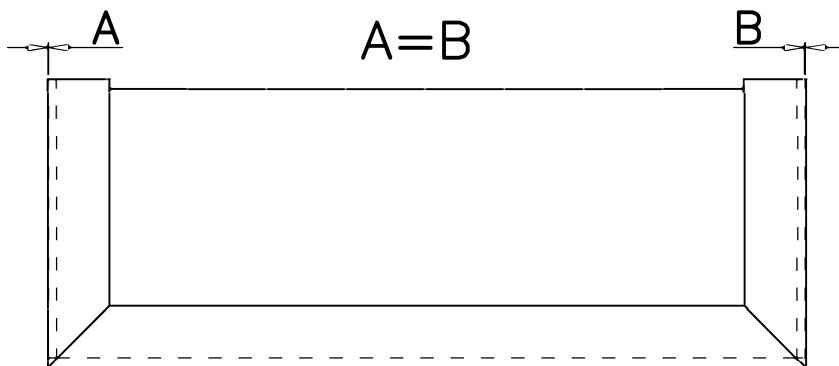
nr	L[mm]	B[mm]	T[mm]	Menge
41	571	82	26	1
42	1989	82	26	1
43	571	82	26	1



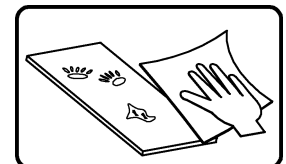
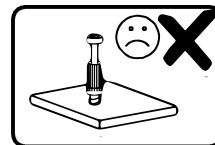
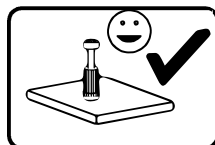
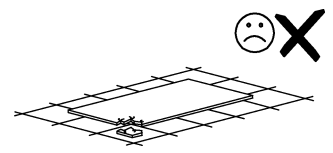
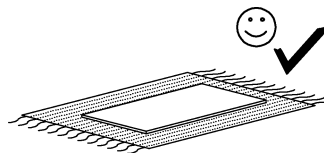
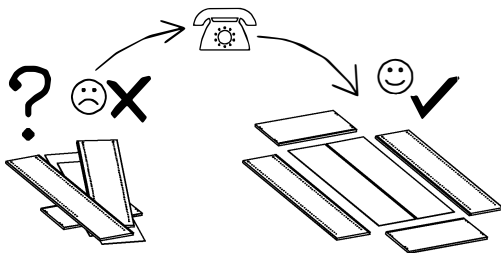
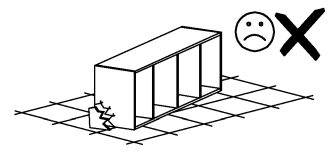
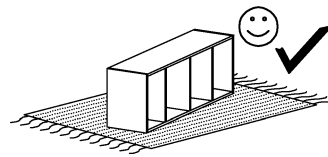
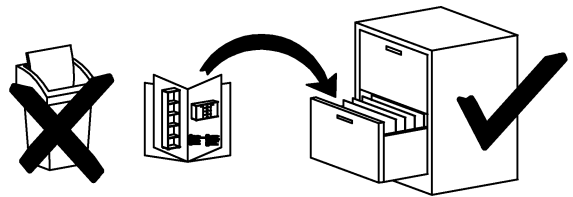
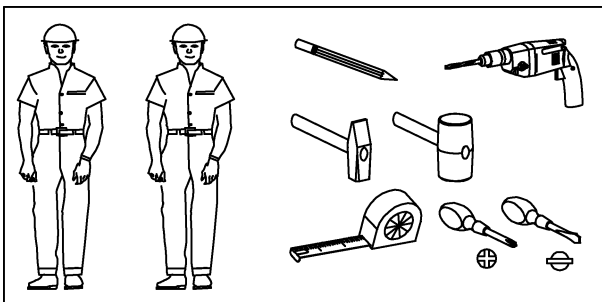
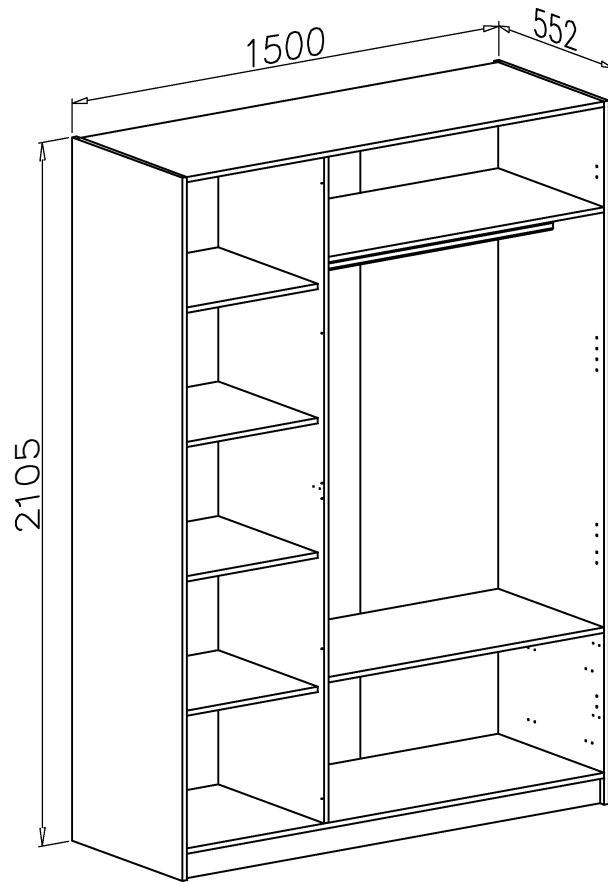
	B1		
		ø8x35	x...(4)
W1		G23	
	x...(1)	4x40	x...(7)



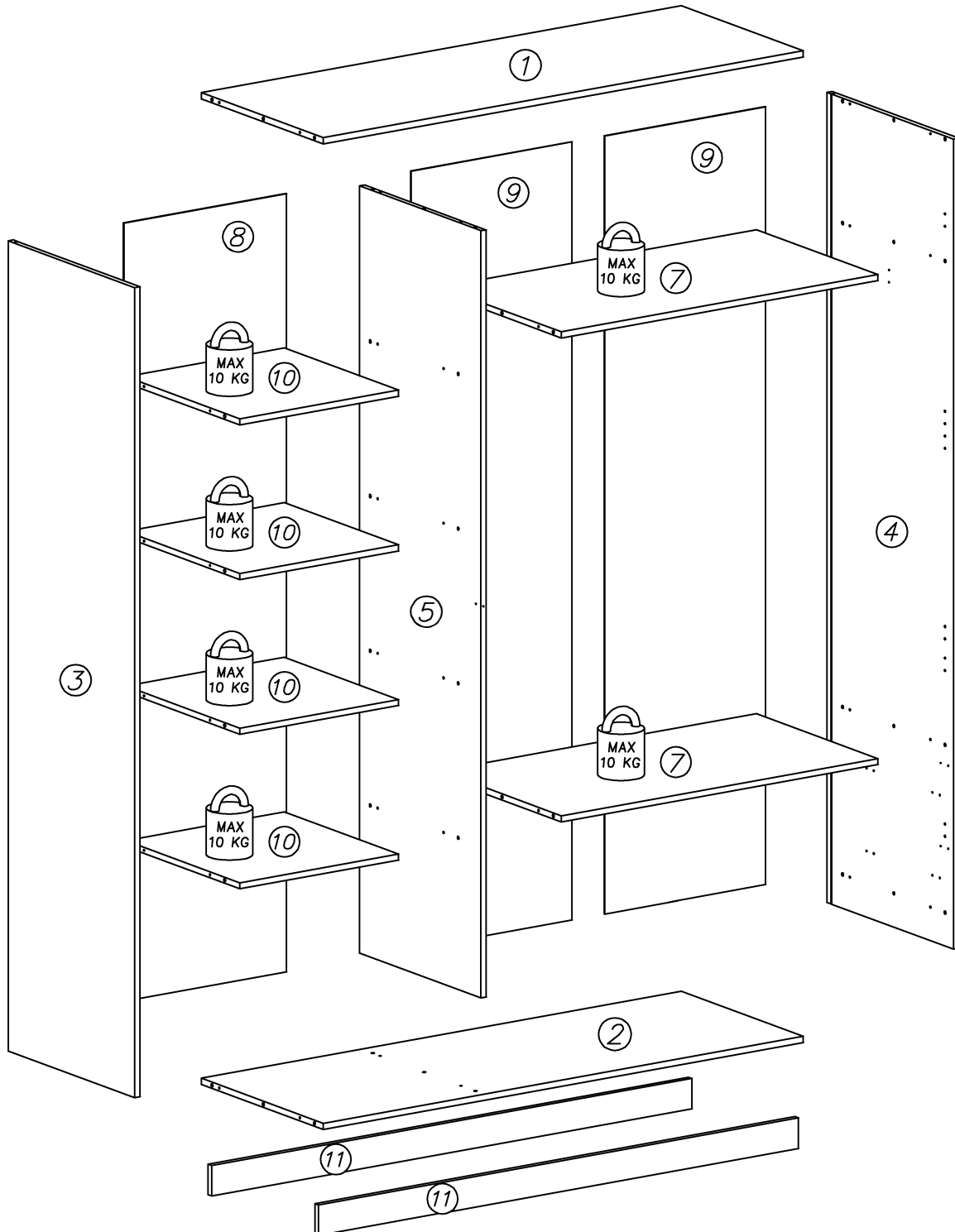
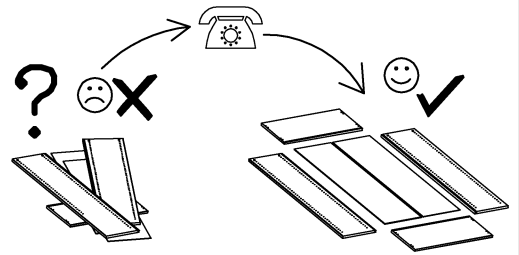
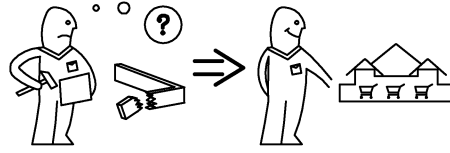
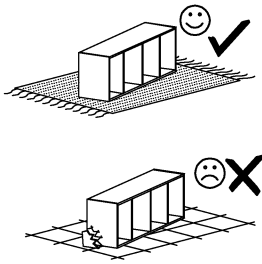
II

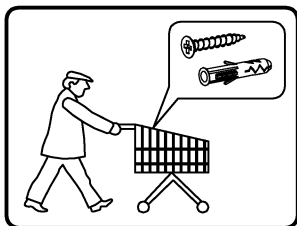
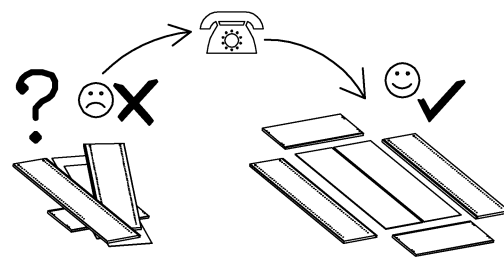
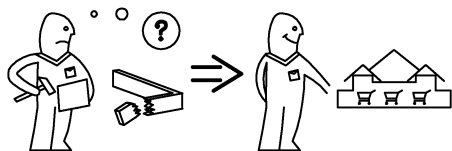
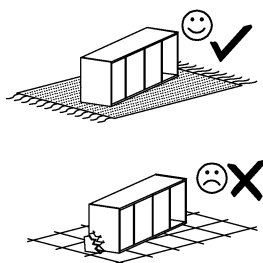



# szafa 3D



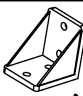

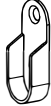


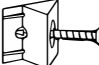


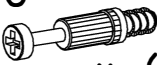

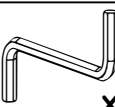
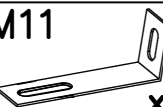



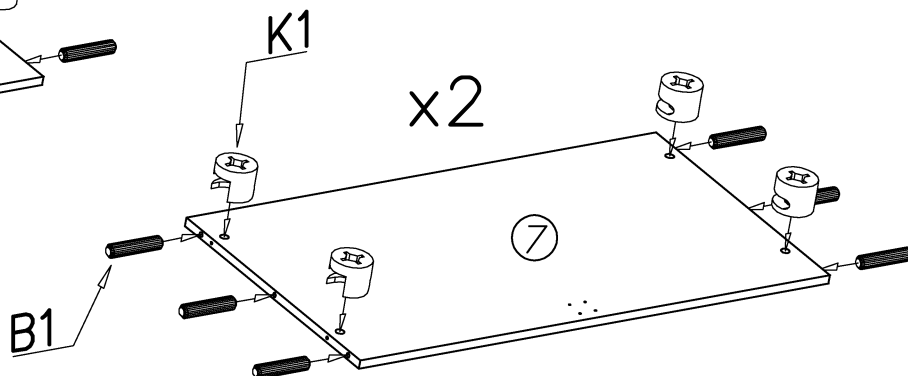
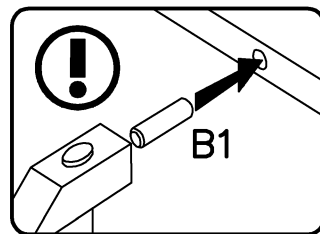
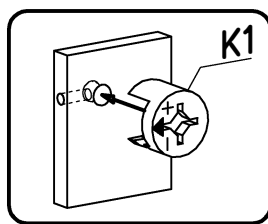
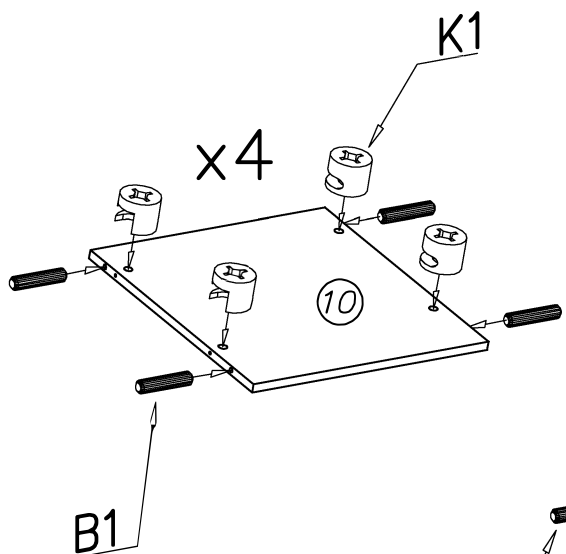
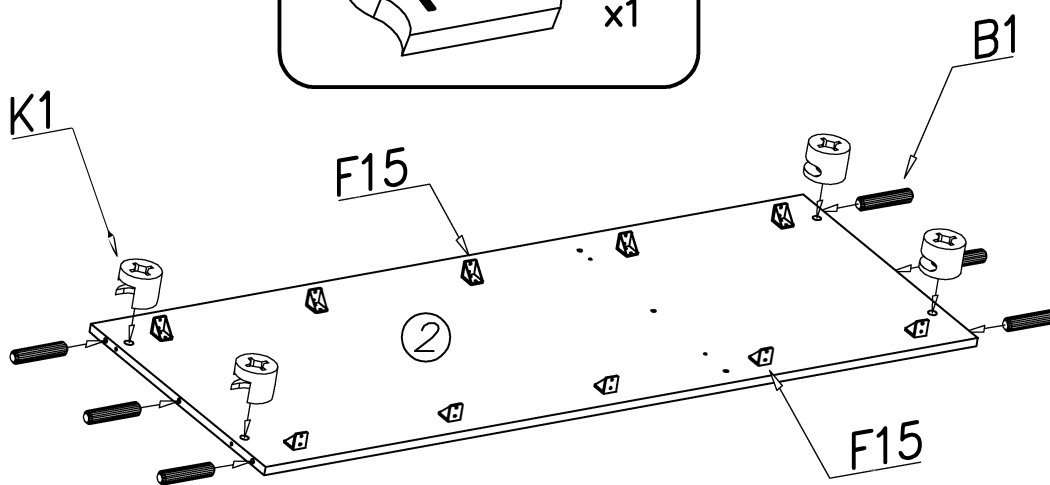
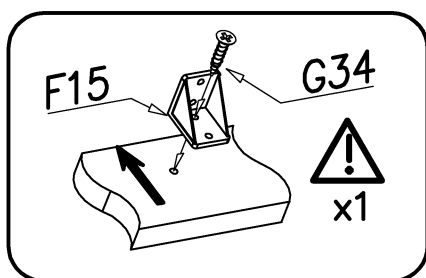
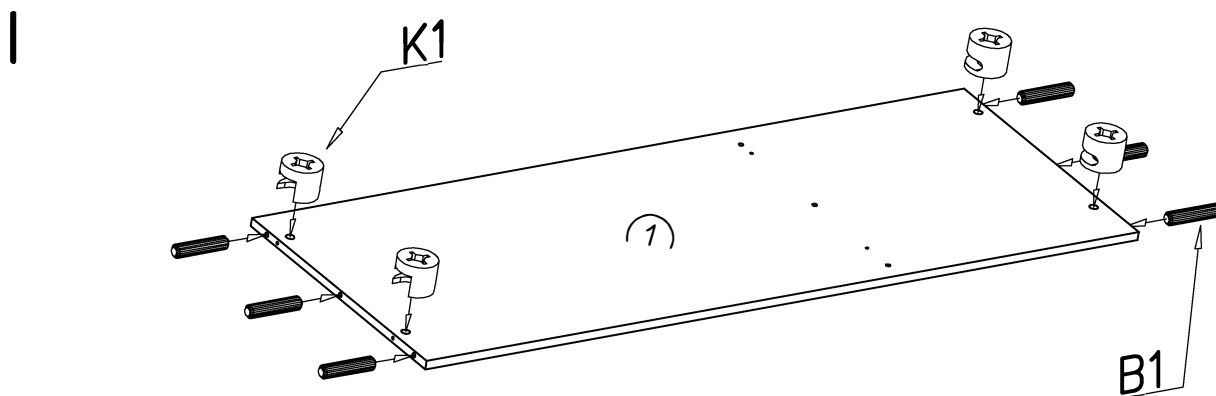
# szafa 3D



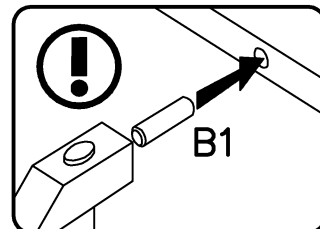
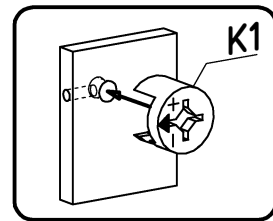
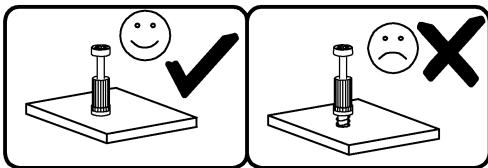
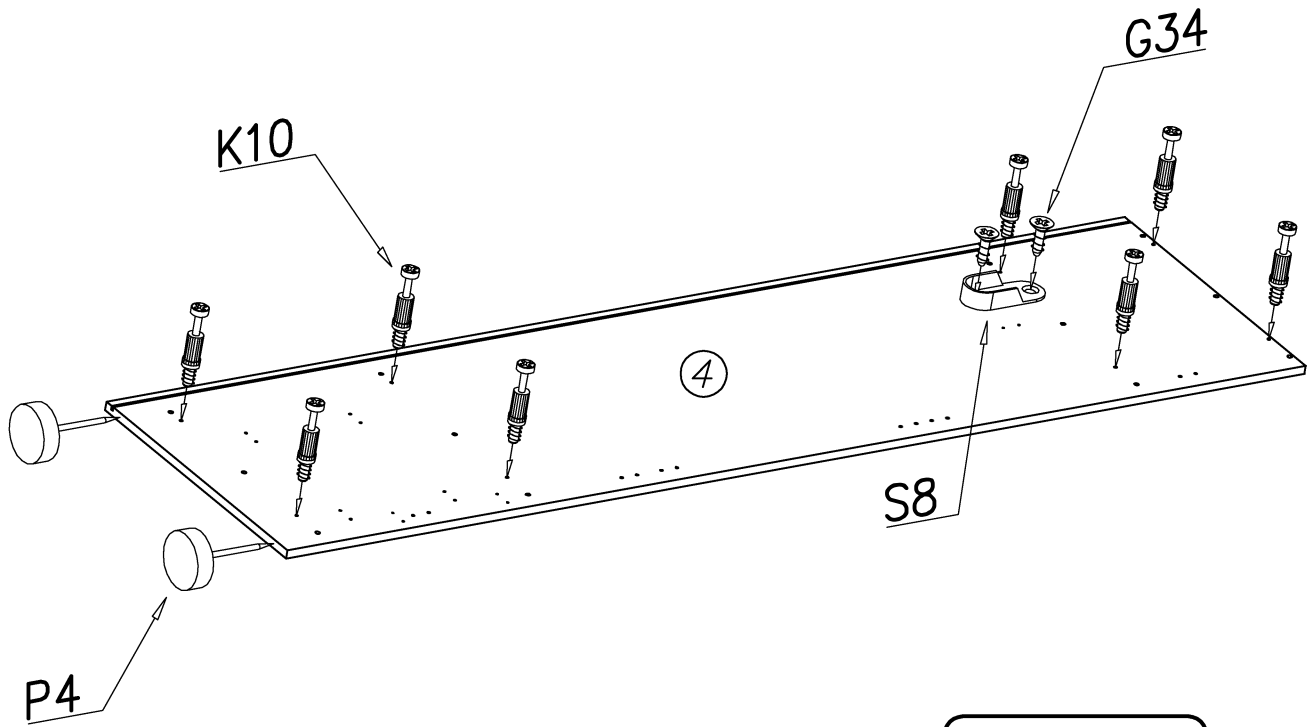
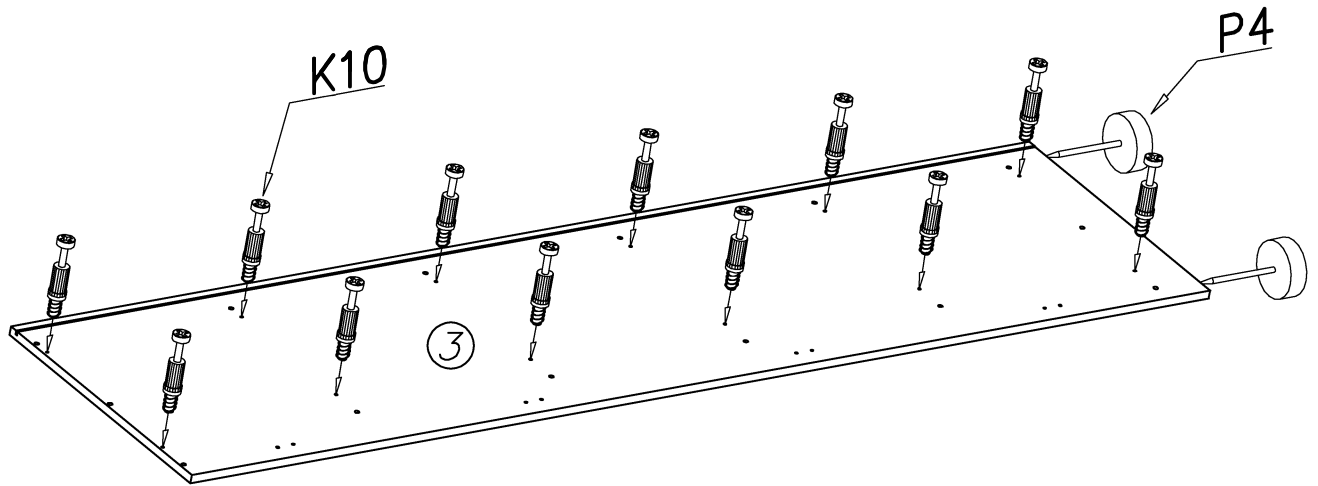


**S5**  
  
 960mm x...(1)

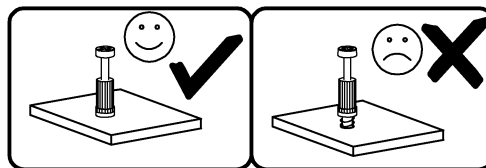
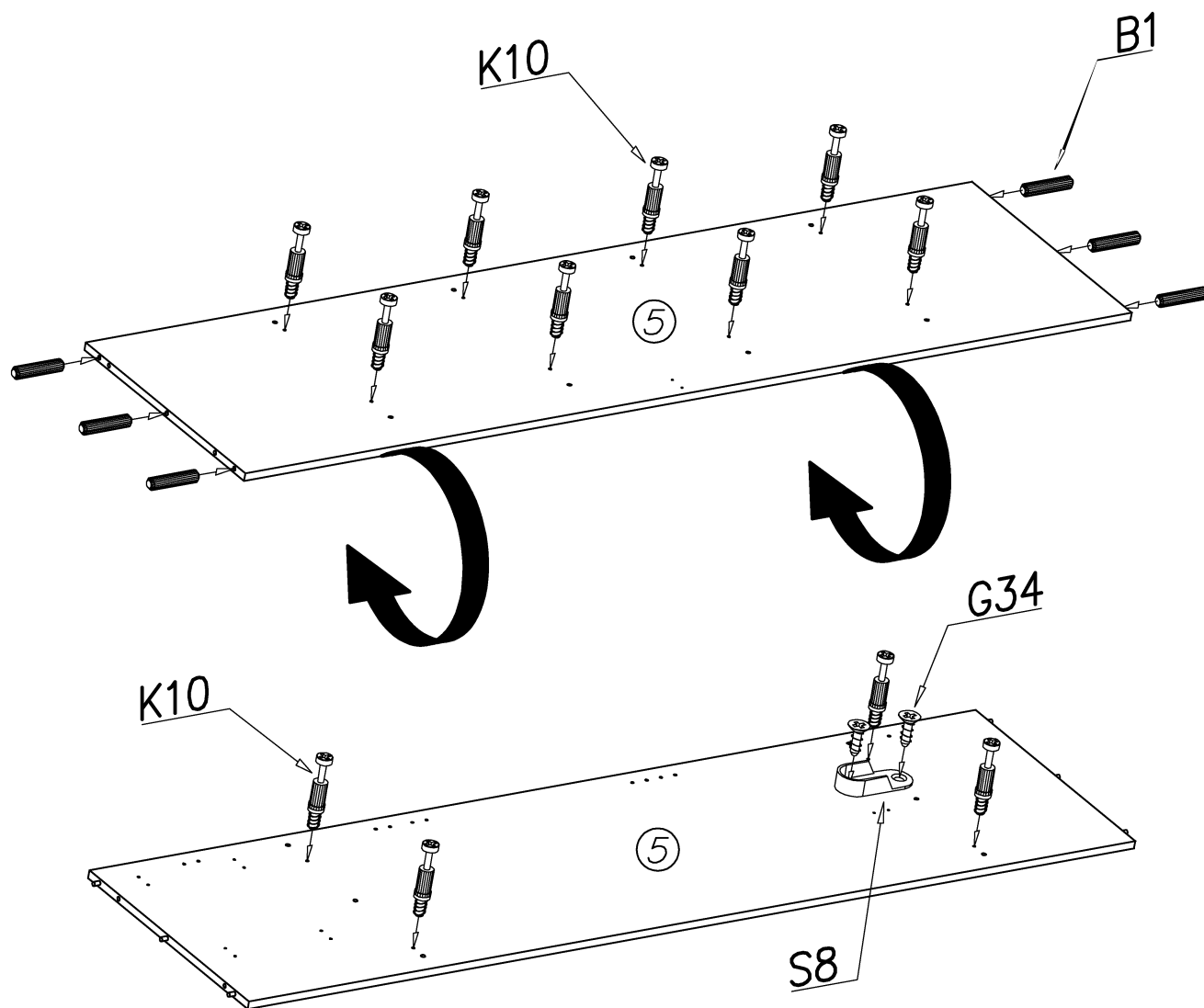
<b>P4</b>  x...(8)	<b>G34</b>  3,5x16 x...(64)	<b>F15</b>  x...(14)	<b>I7</b>  ø18 x...(32)	<b>S8</b>  x...(2)
<b>K1</b>  ø15x12 x...(32)	<b>S1</b>  1988mm x...(1)	<b>I1</b>  x...(10)	<b>A1</b>  ø7x50 x...(4)	<b>G2</b>  3x20 x...(100)
<b>K10</b>  x...(32)	<b>B1</b>  ø8x35 x...(46)	<b>W2</b>  x...(1)	<b>M11</b>  x...(2)	<b>S2</b>  x...(18)



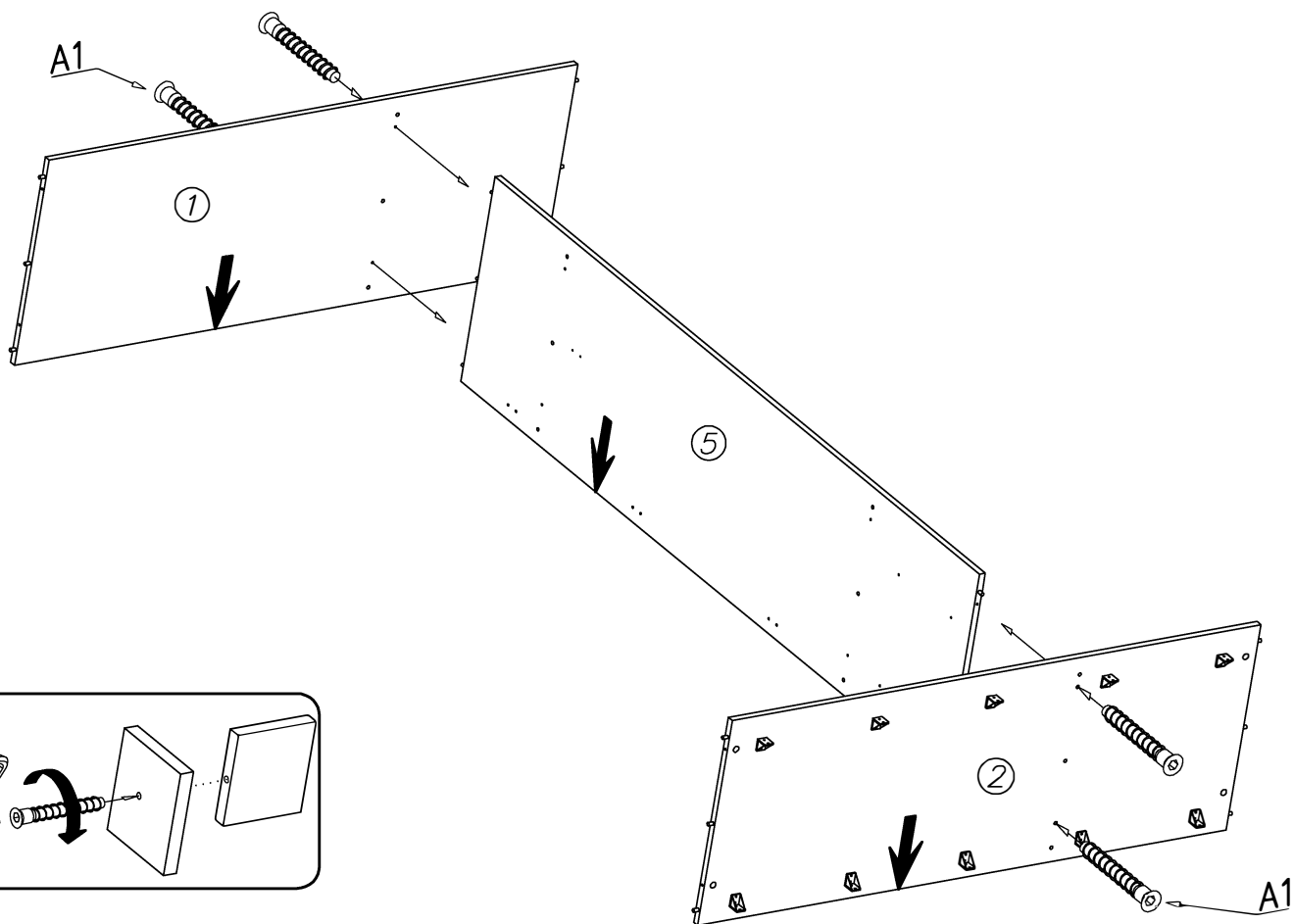
II



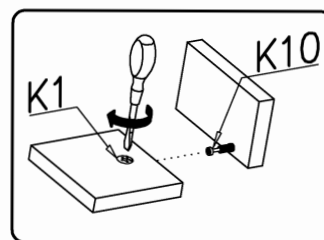
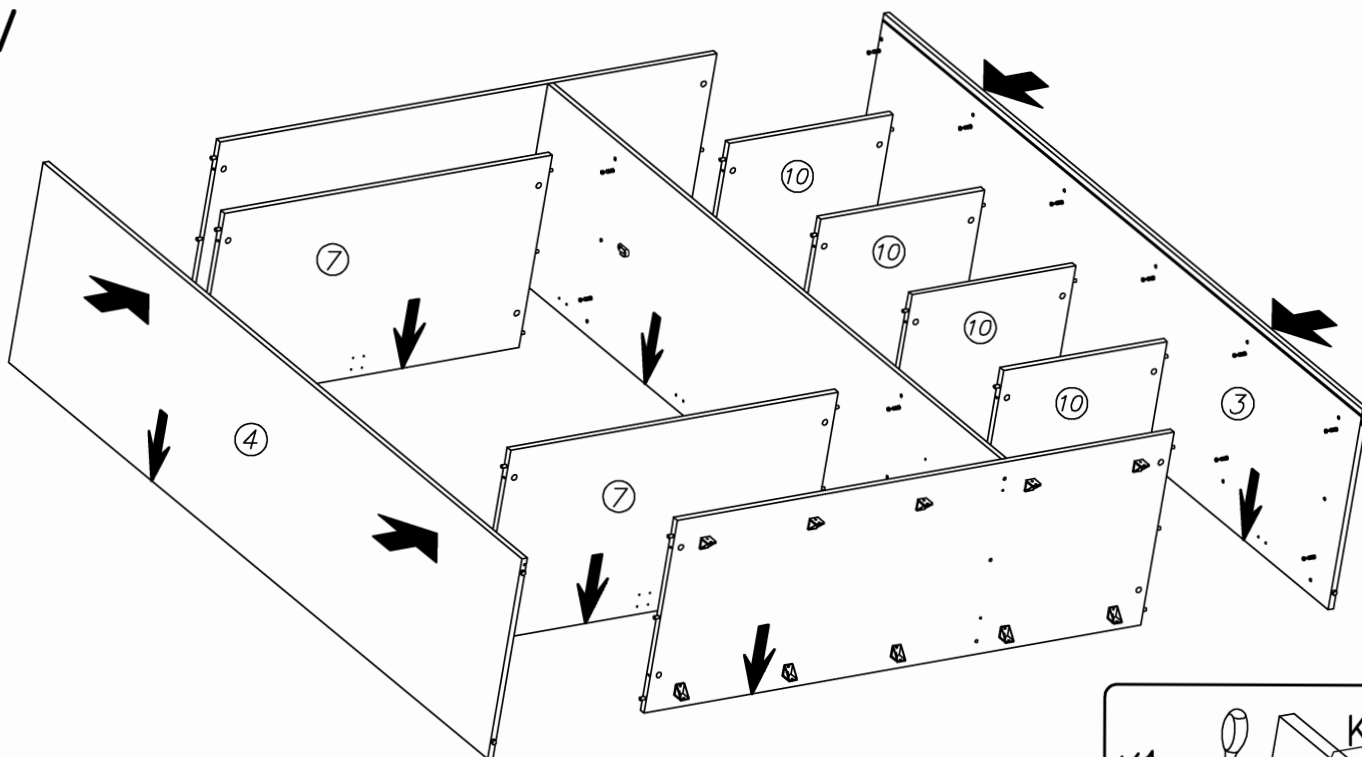
III



IV



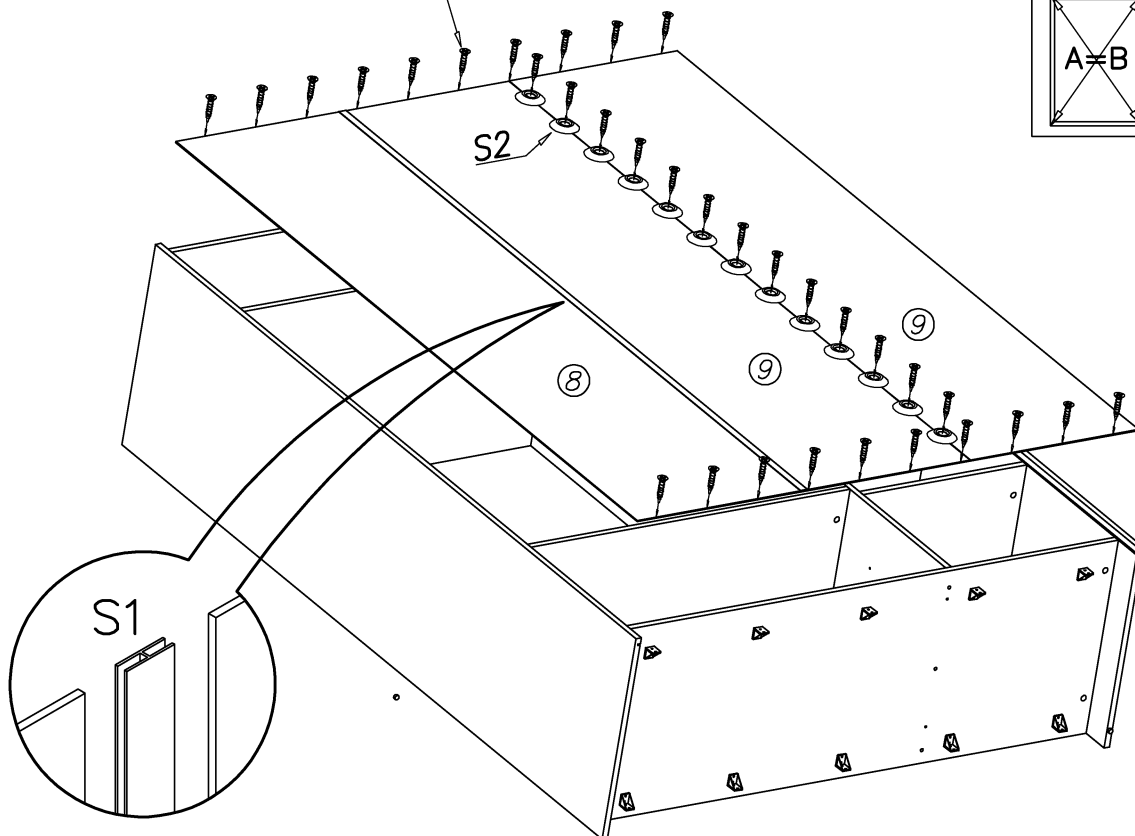
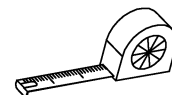
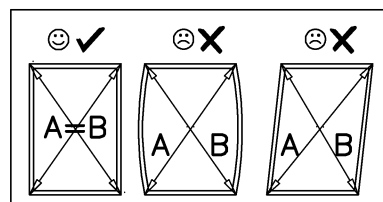
V



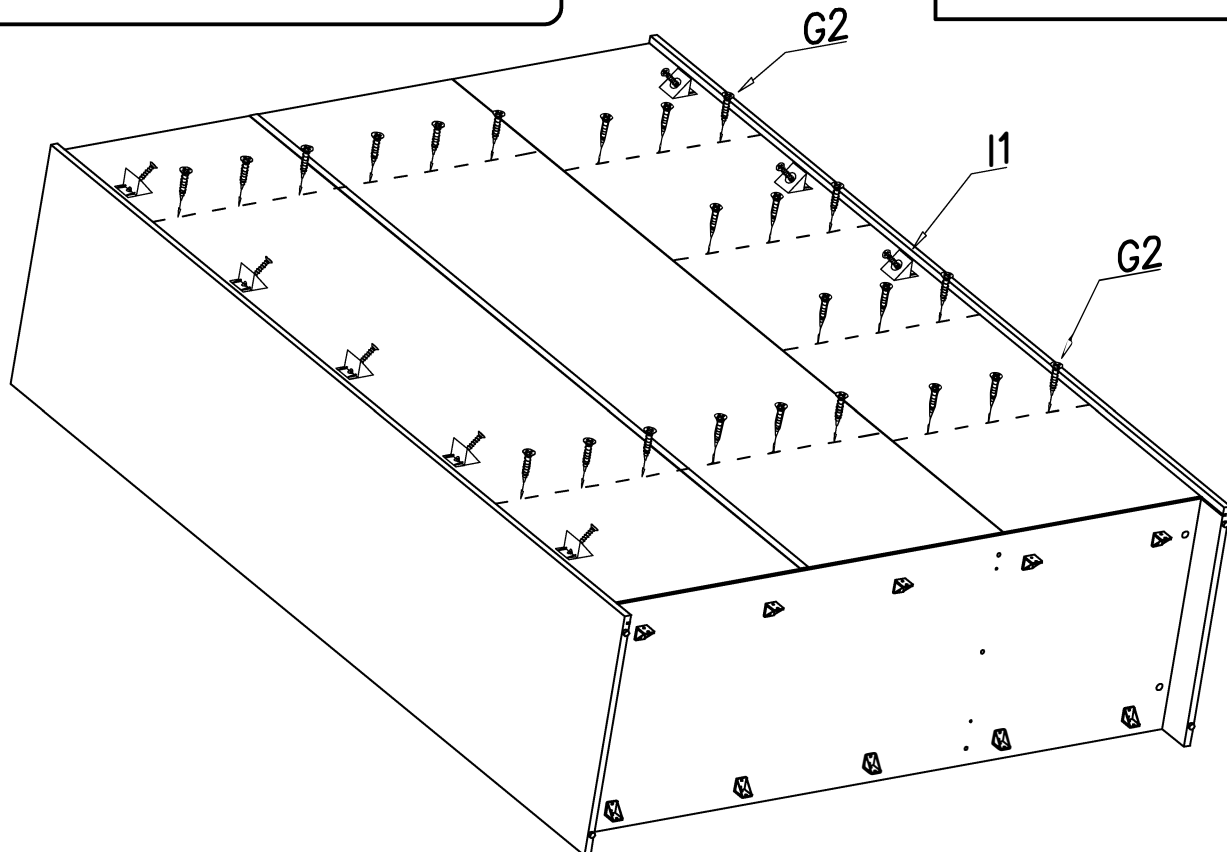
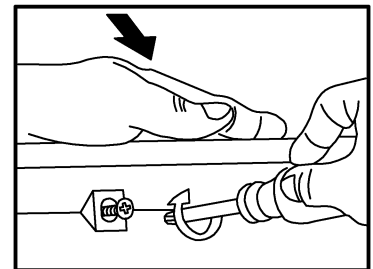
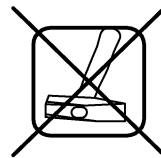
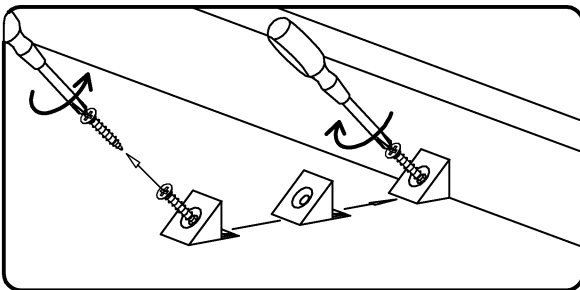
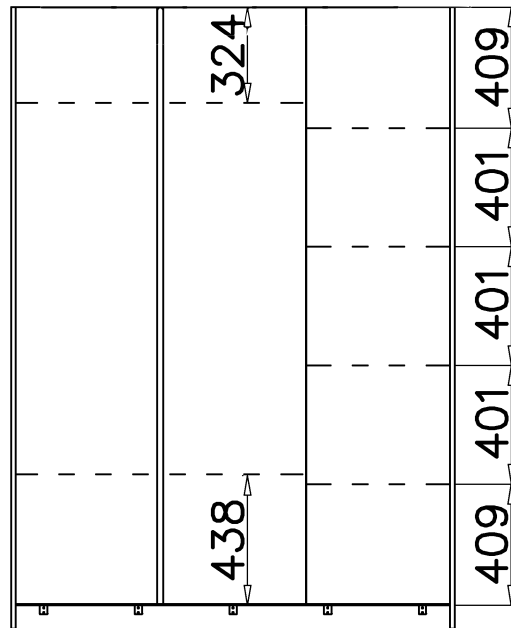
VI

G2

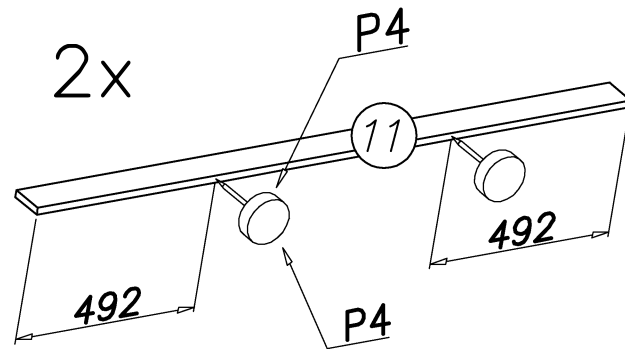
A=B



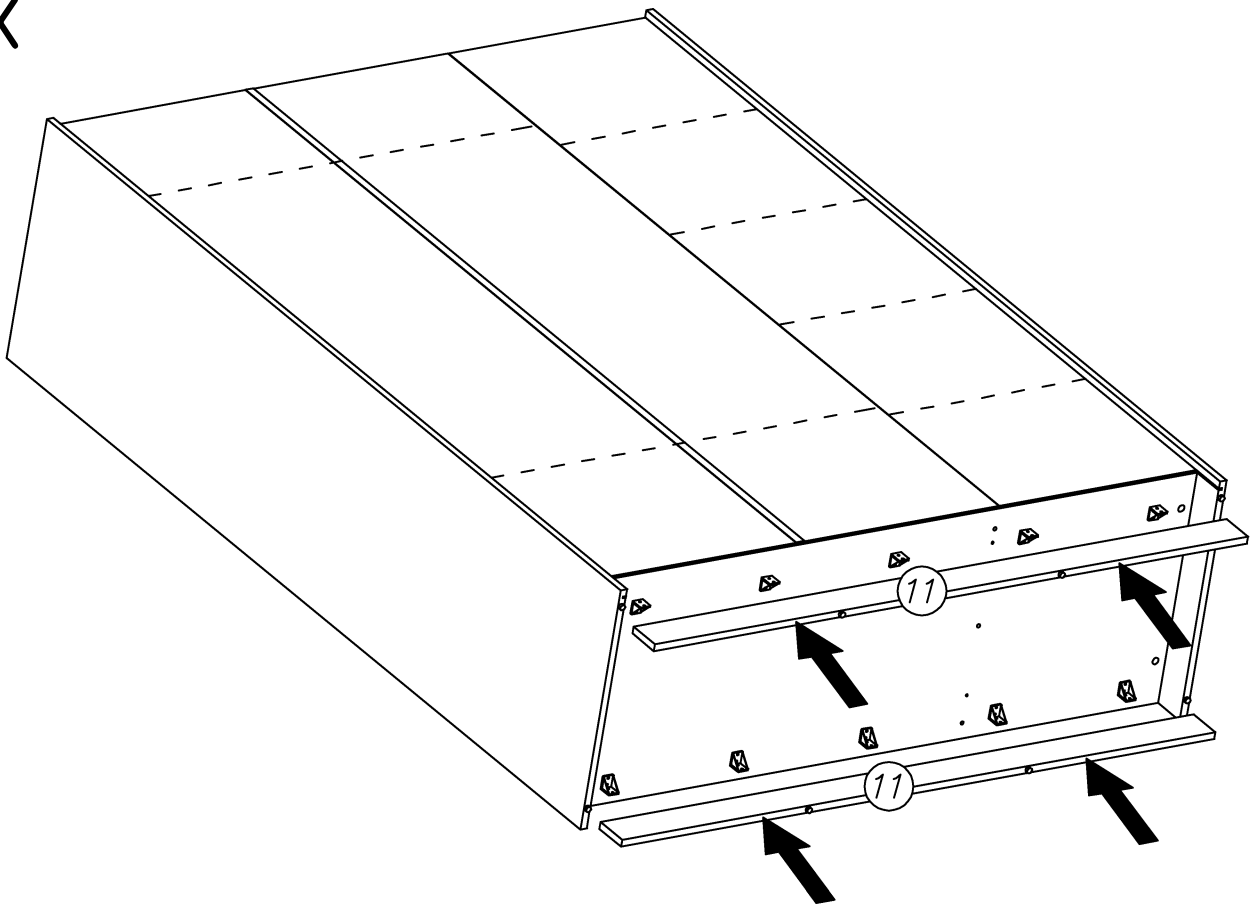
VII



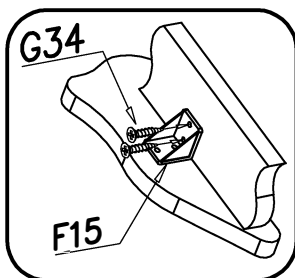
VIII



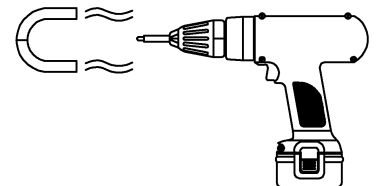
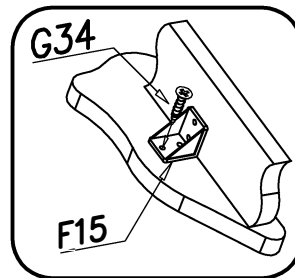
IX



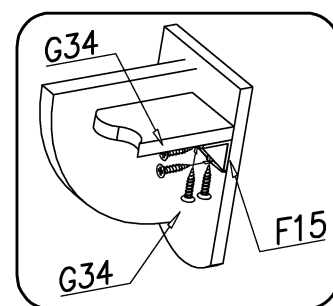
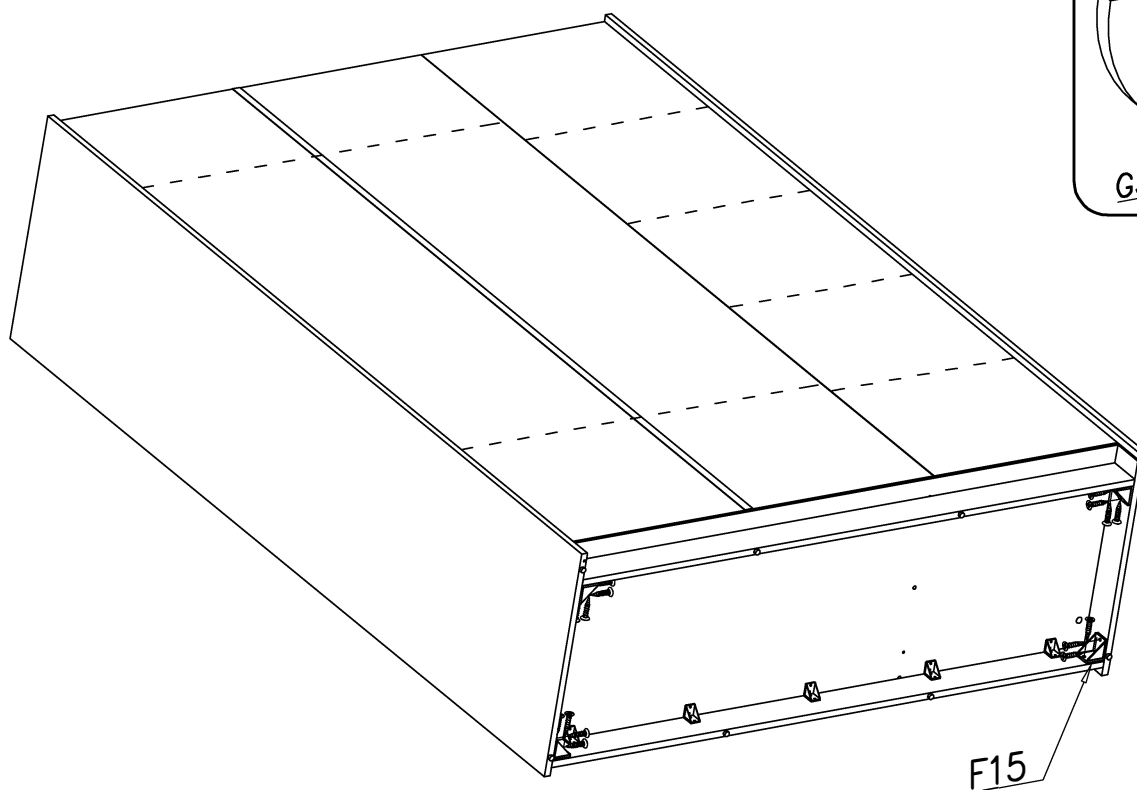
1.

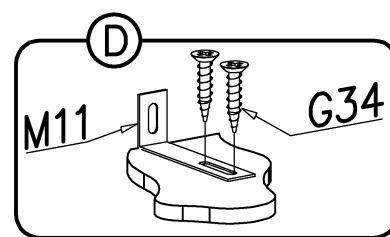
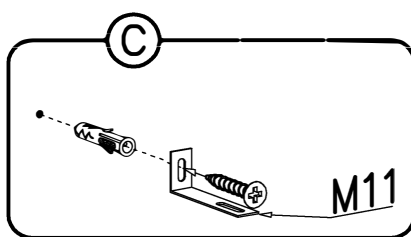
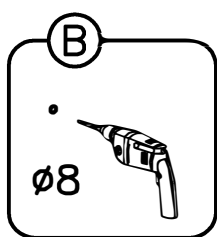
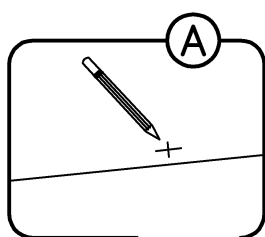


2.

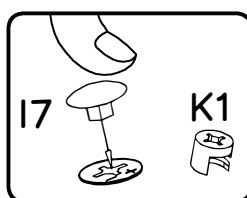
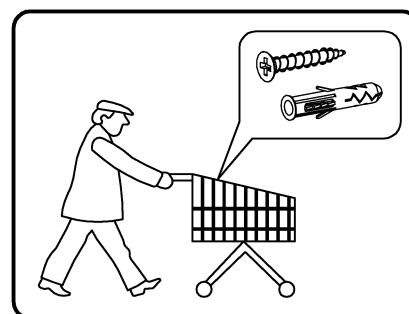
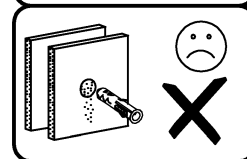
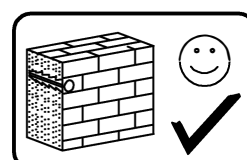
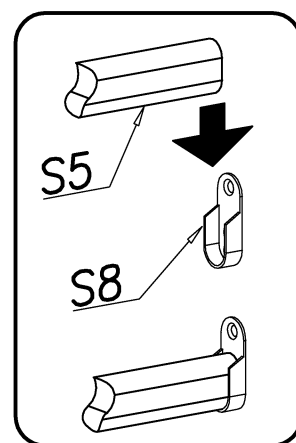
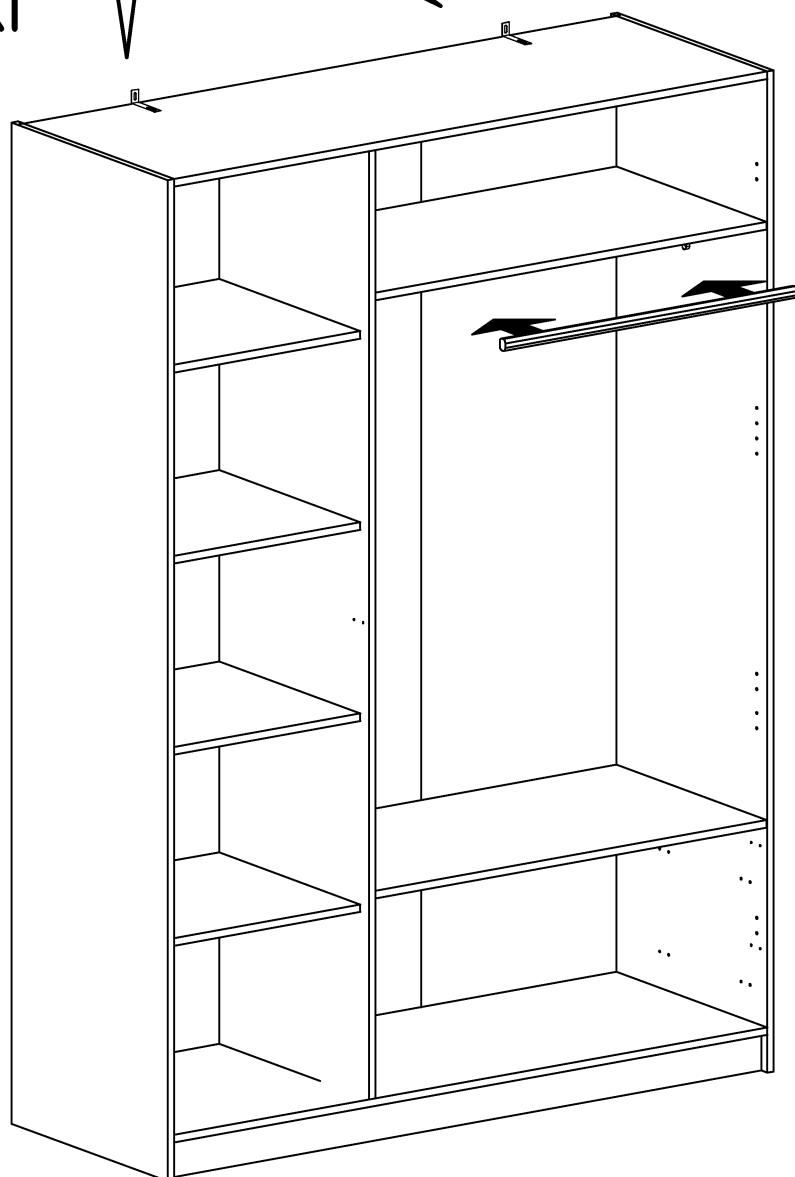


X



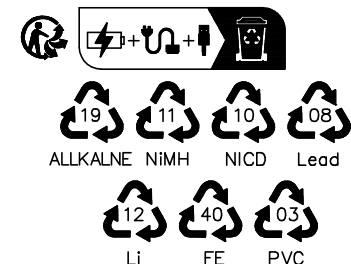
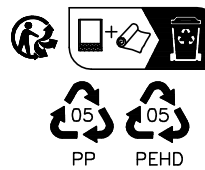
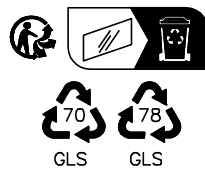
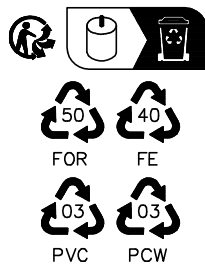
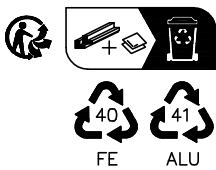
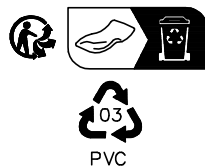
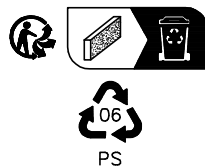
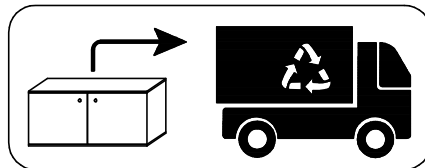
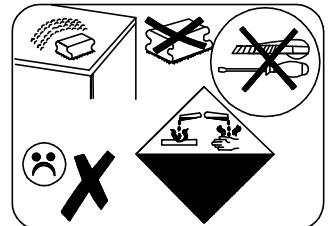
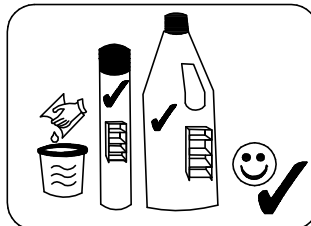
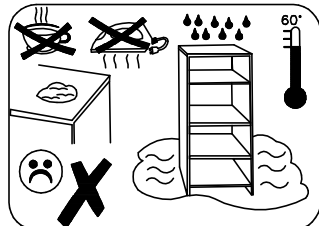
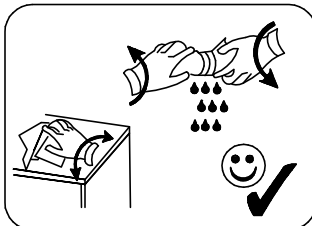
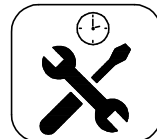
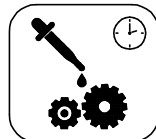
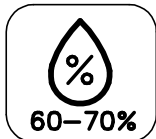
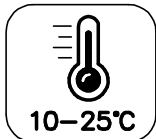
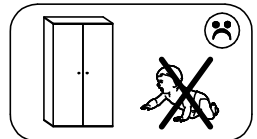
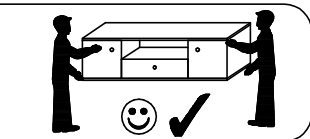
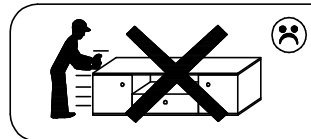
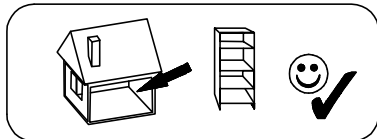
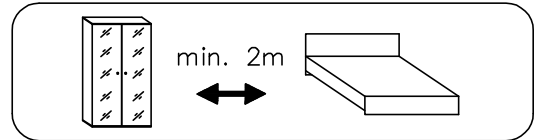
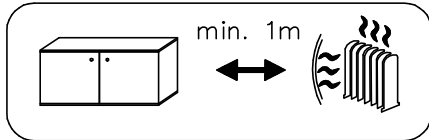
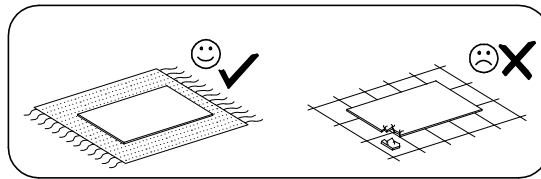
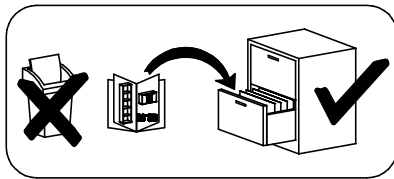


XI

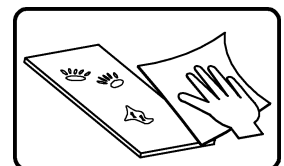
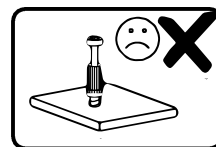
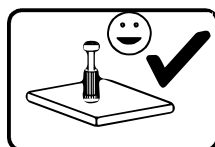
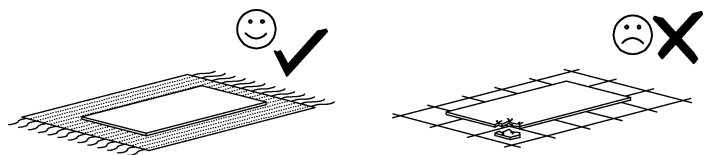
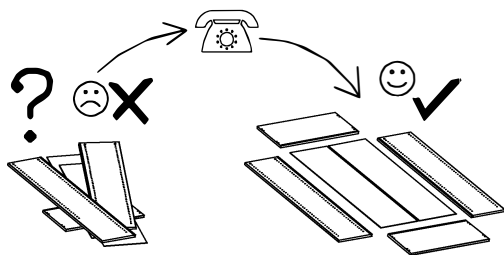
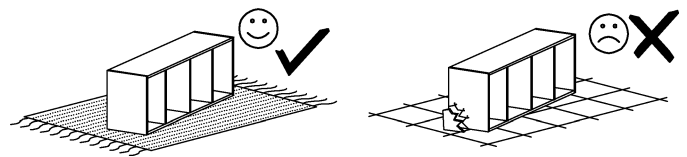
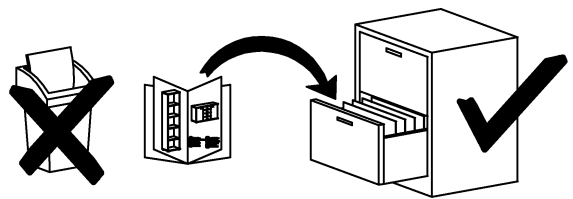
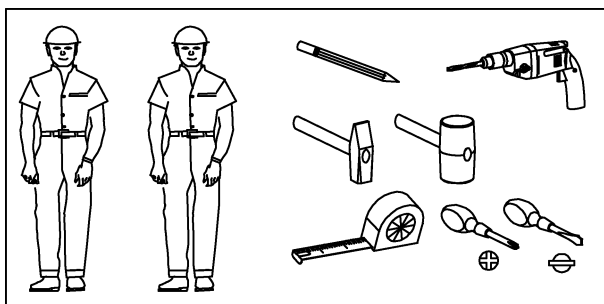
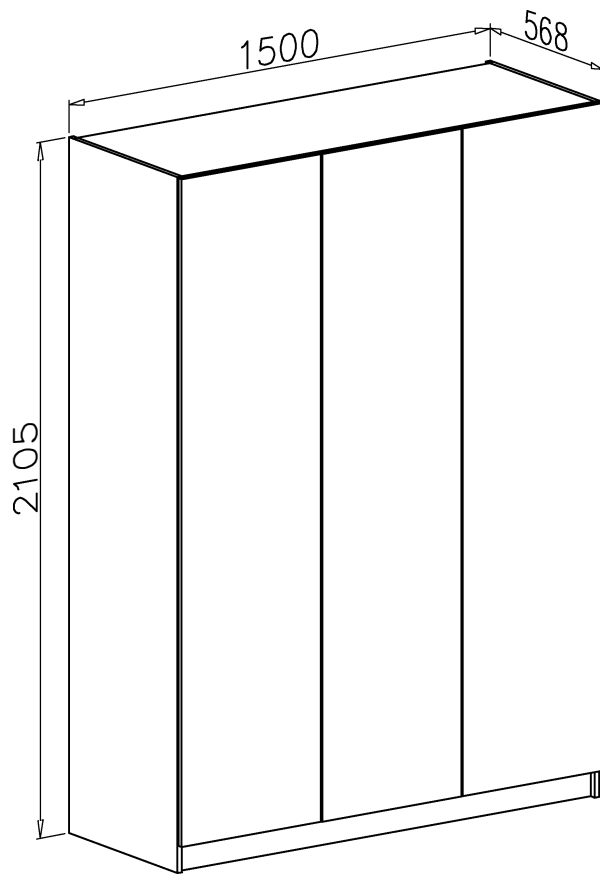


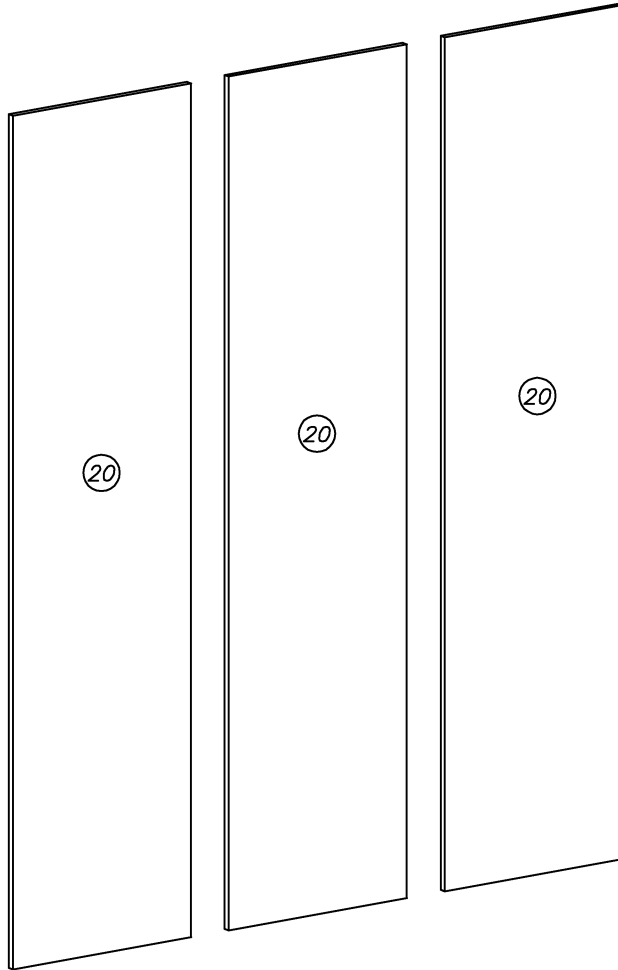
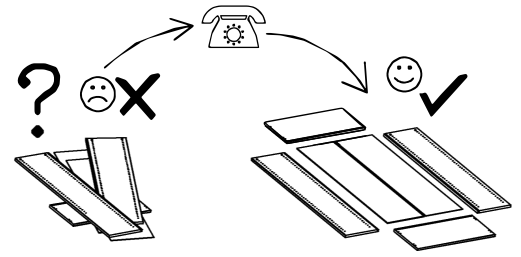
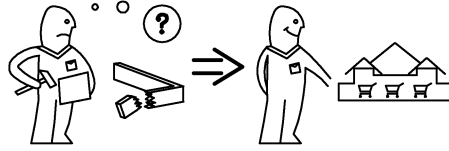
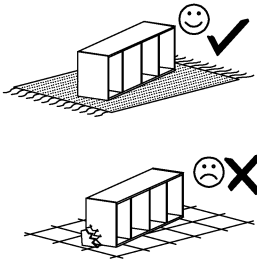


Uwaga • Upozornění • Achtung • Attention • Caution • Figyelem  
 Attenzione • Opgelet • Внимание • Atenție • Upozornenie • Dikkat

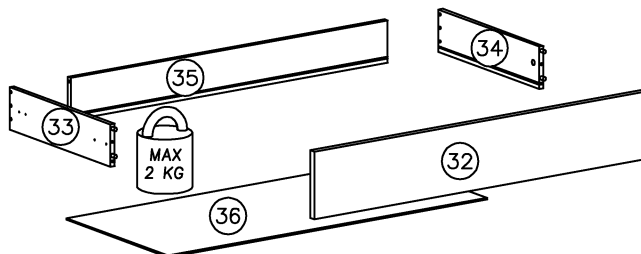


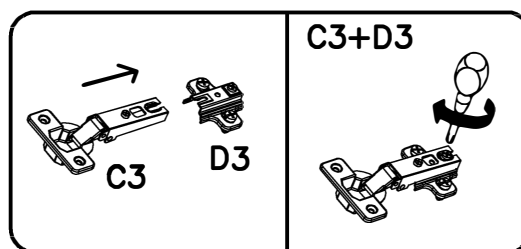
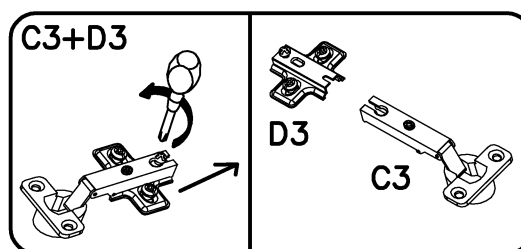
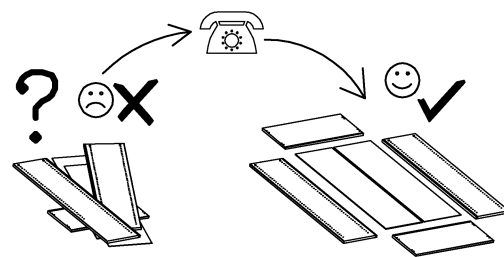
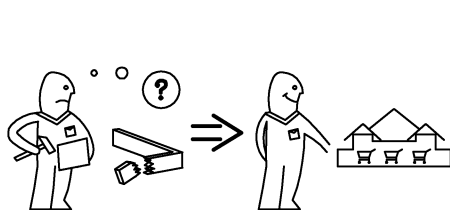
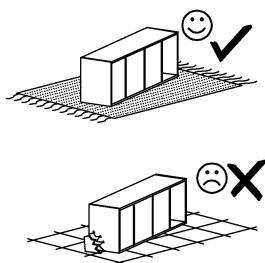
# szafa 3D push

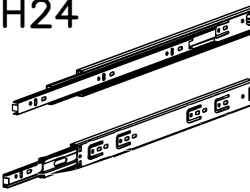
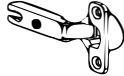


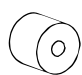
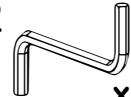

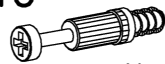

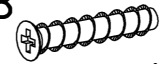







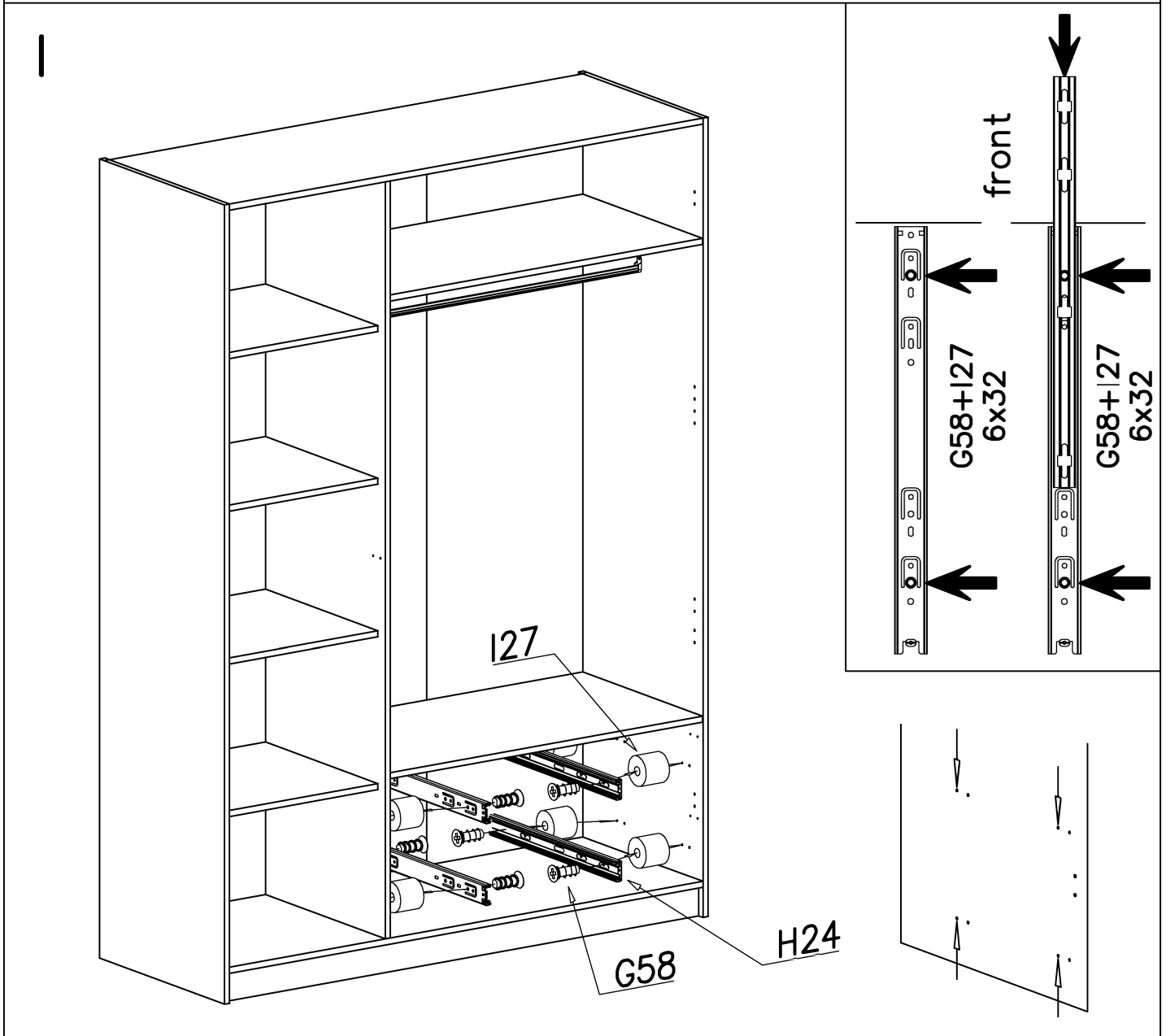
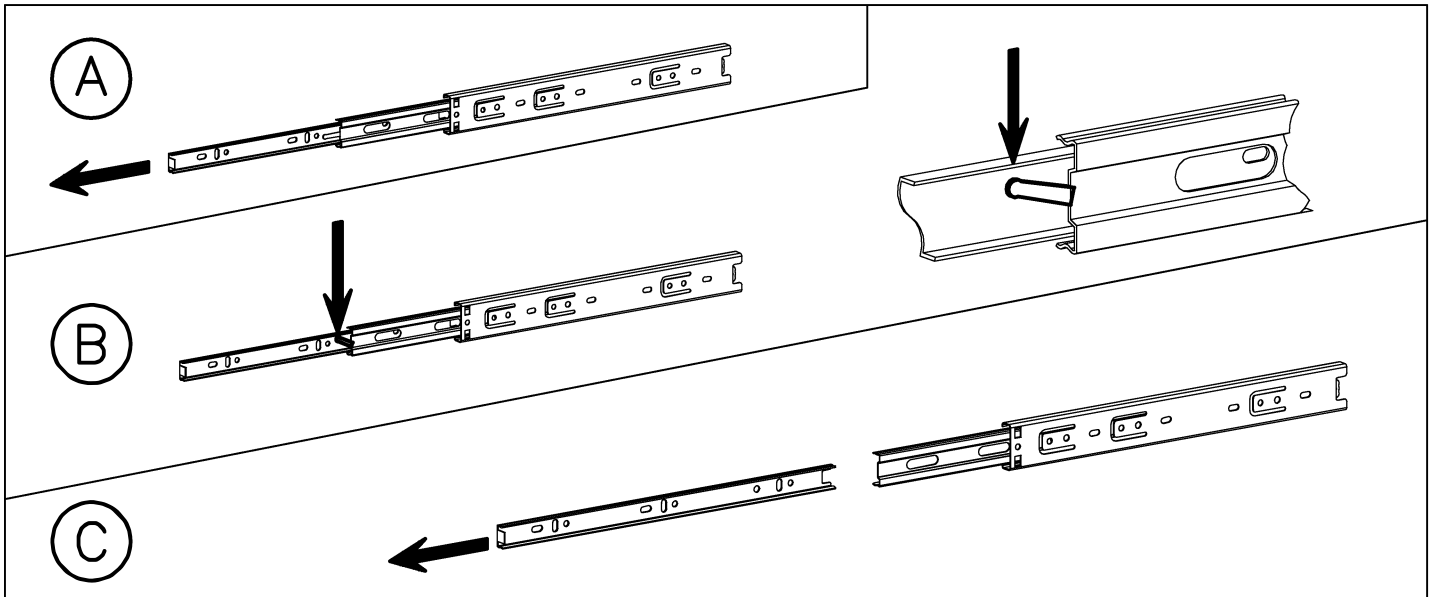


nr	L[mm]	B[mm]	T[mm]	Menge
20	2014	495	16	3
32	932	160	16	2
33	400	100	12	2
34	400	100	12	2
35	882	100	12	2
36	892	401	3	2

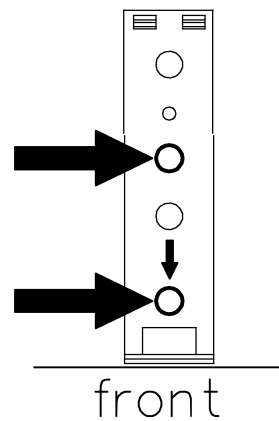
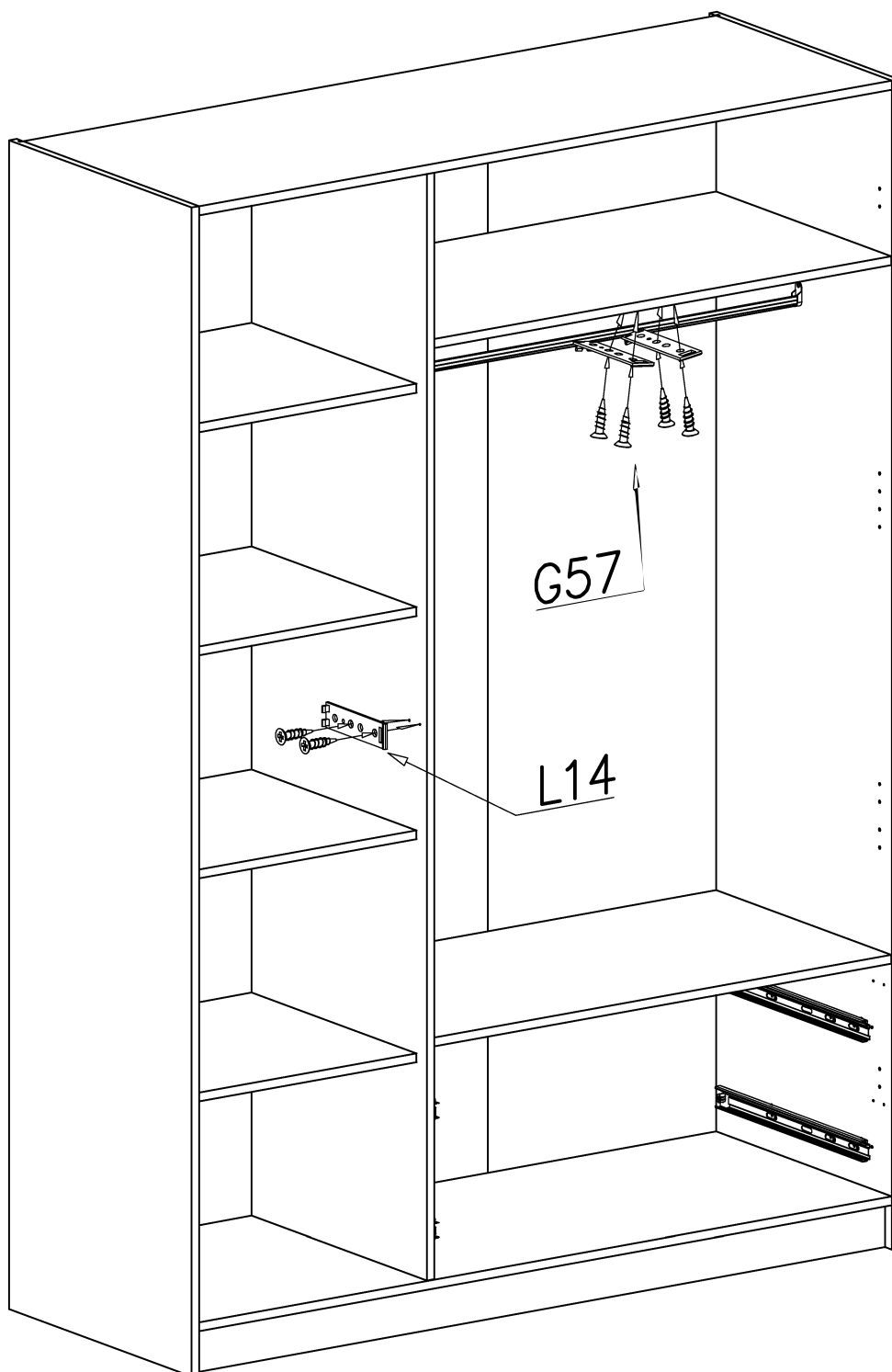




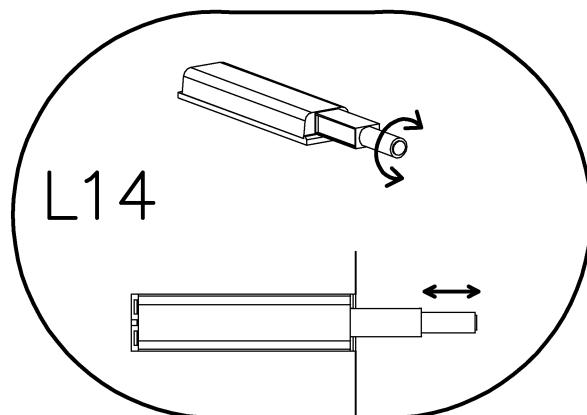
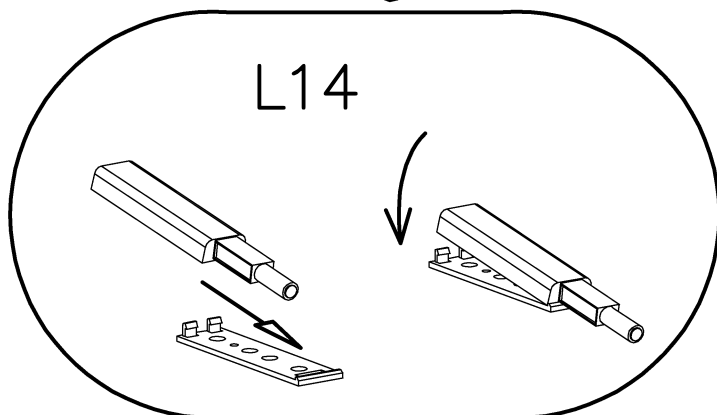
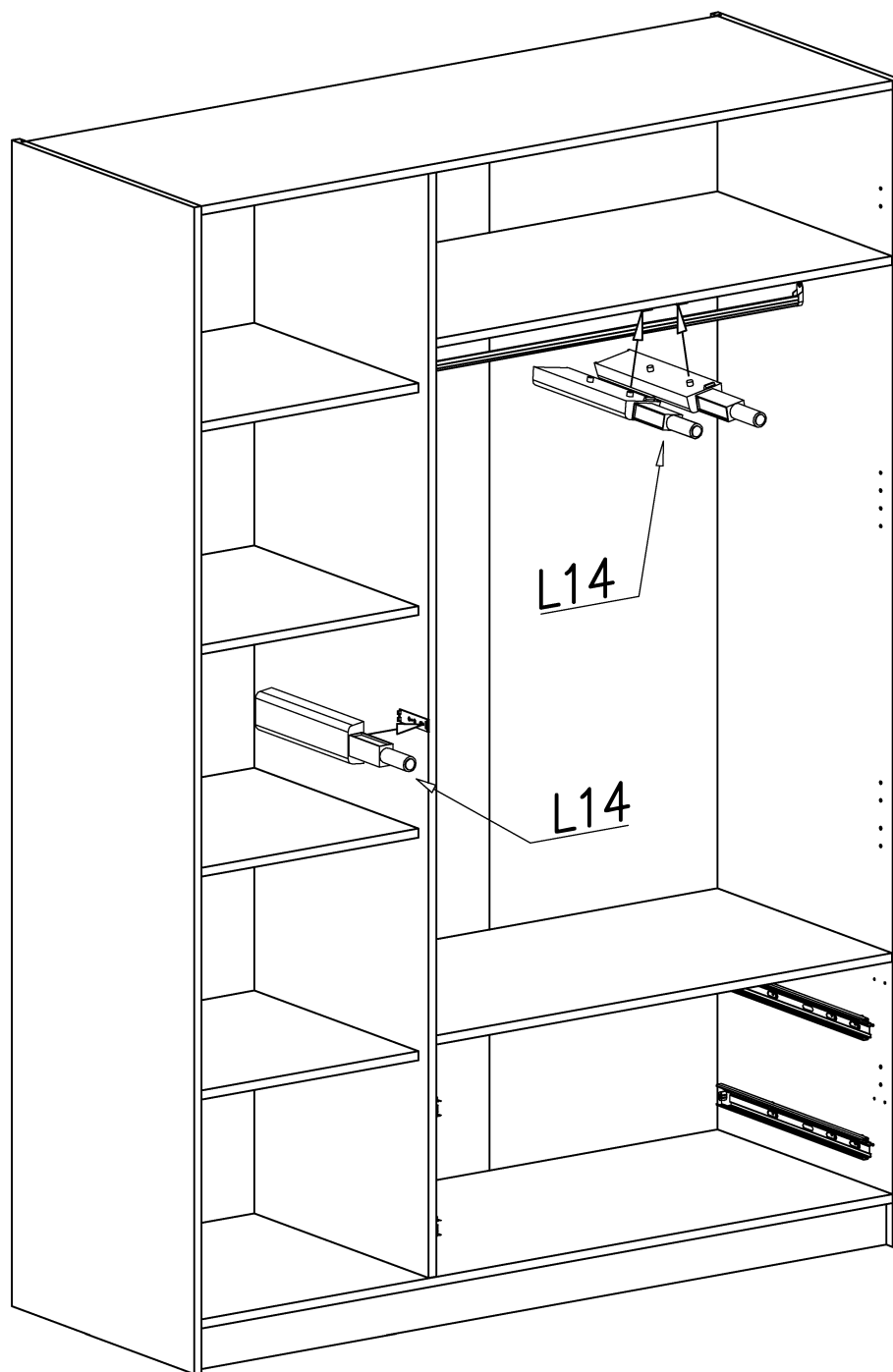
<b>H24</b>  H35-400mm x...(2)	<b>C3</b>  Z35PR x...(12) <b>D3</b>  H=2 PZ35PR x...(12)	<b>G34</b>  3,5x16 x...(28) <b>I27</b>  18mm x...(8)	<b>W2</b>  x...(1)	<b>K4</b>  Ø12x10 x...(4)
<b>K10</b>  x...(4)	<b>W1</b>  x...(1)	<b>G58</b>  6x32 x...(8)	<b>G20</b>  5x11 x...(8)	<b>L14</b>  x...(4)
		<b>M8</b>  400mm x...(2)	<b>G57</b>  3,5x14 x...(8)	<b>A6</b>  Ø7x40 x...(8)



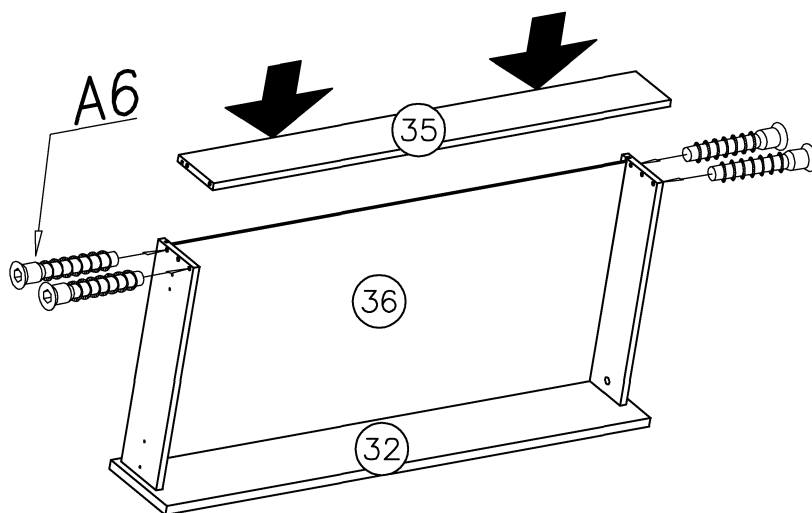
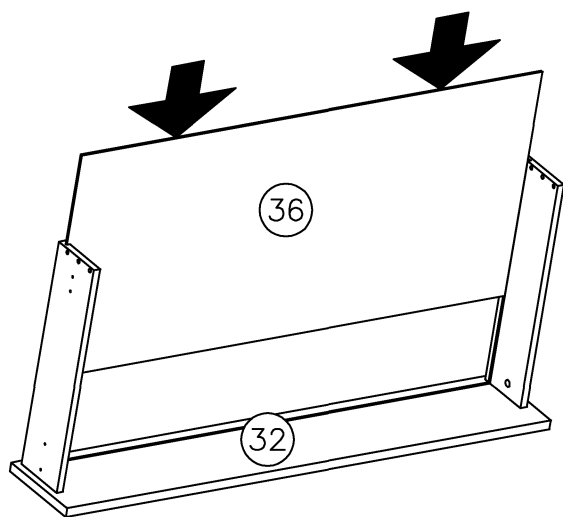
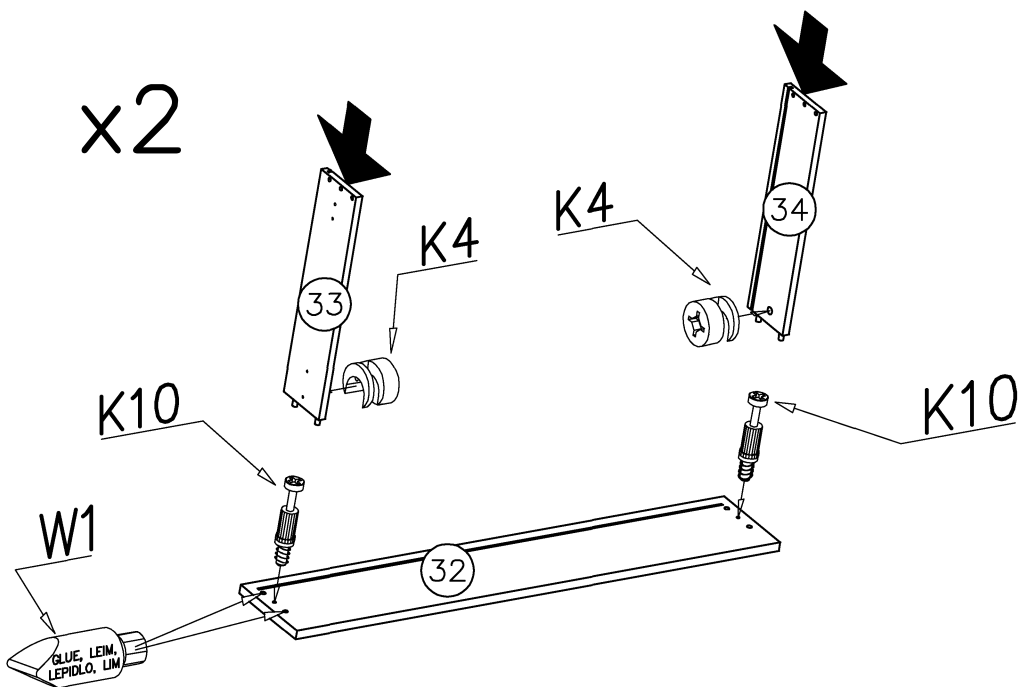
II



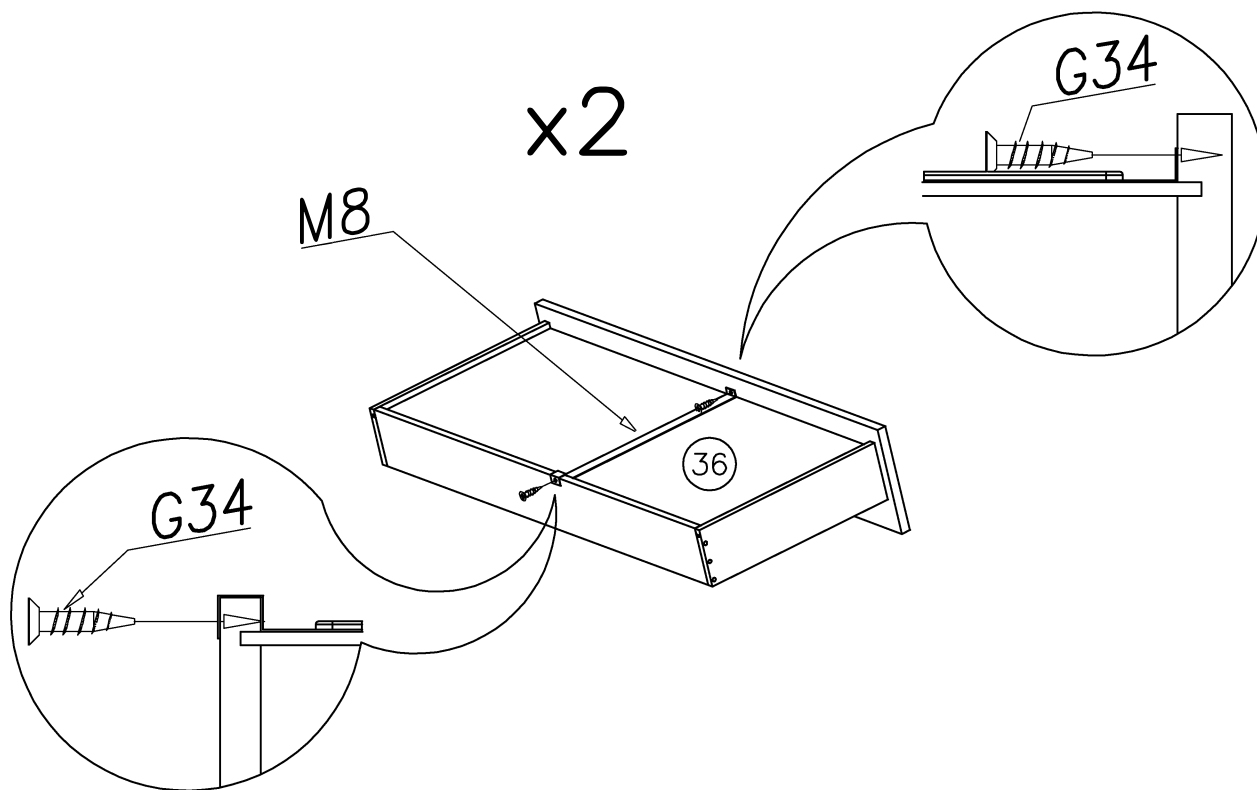
III



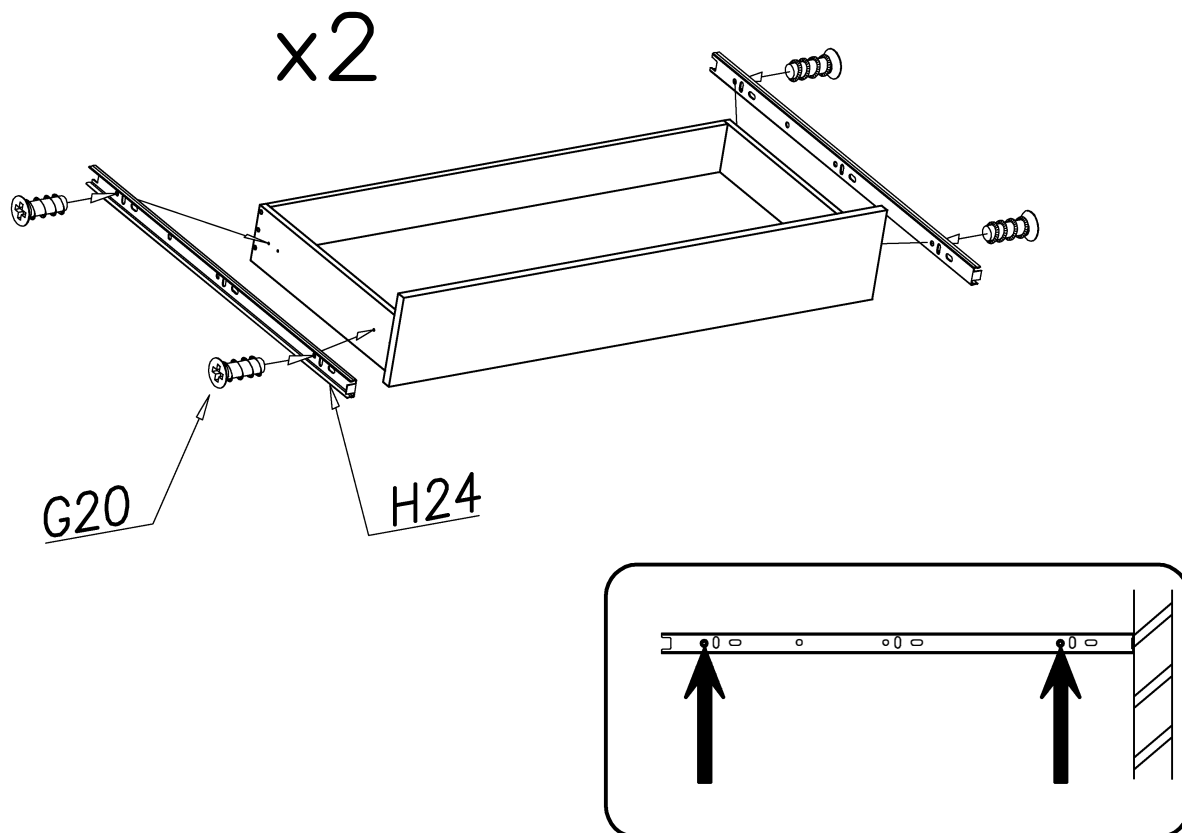
IV



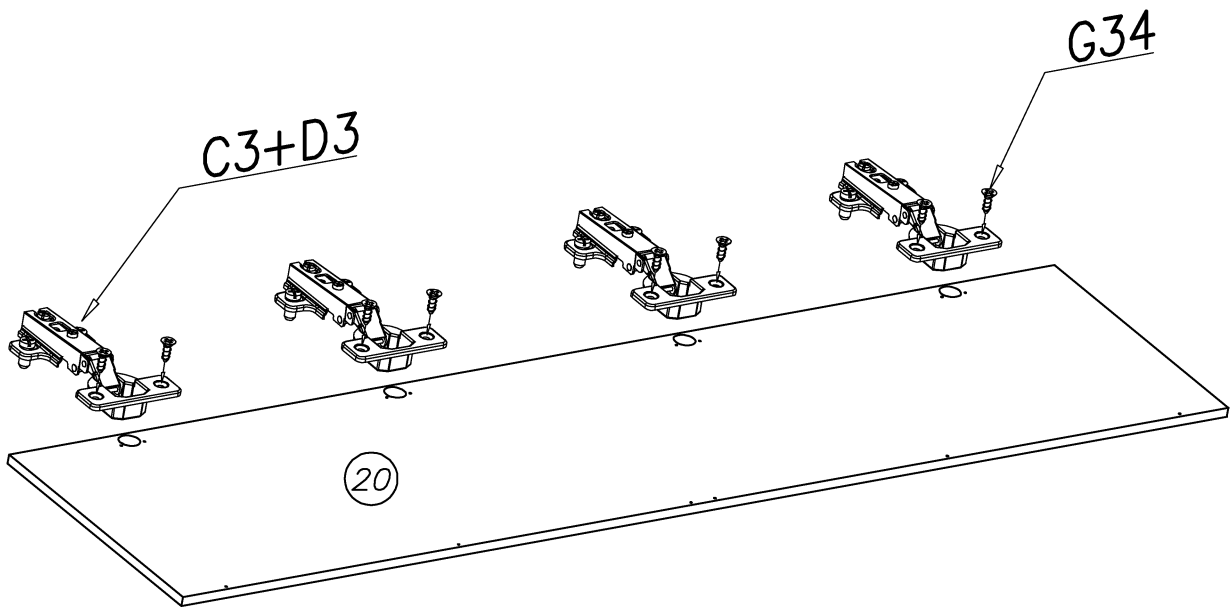
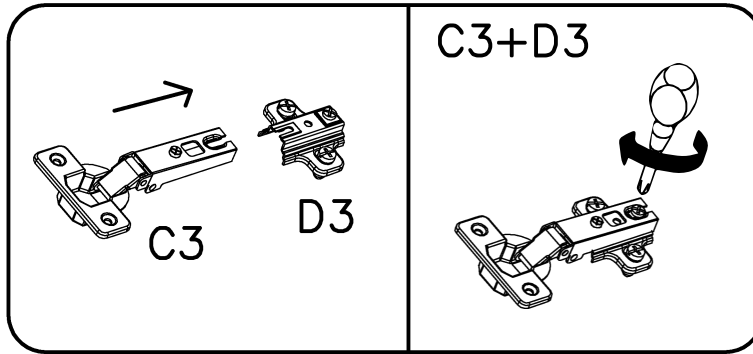
V



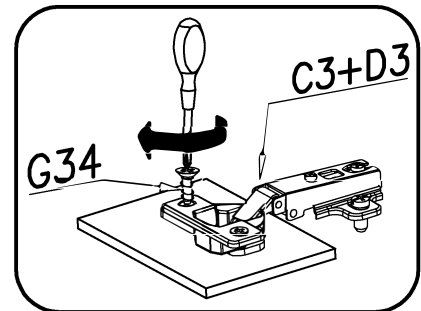
VI



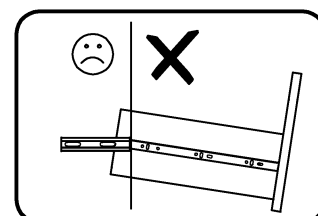
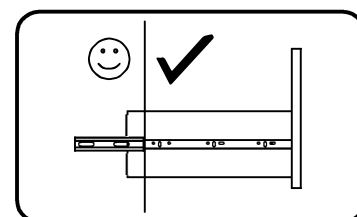
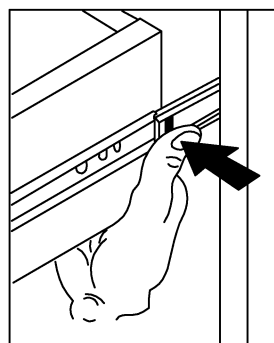
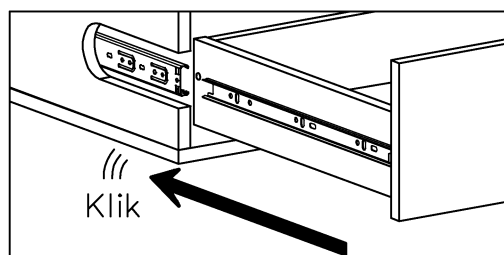
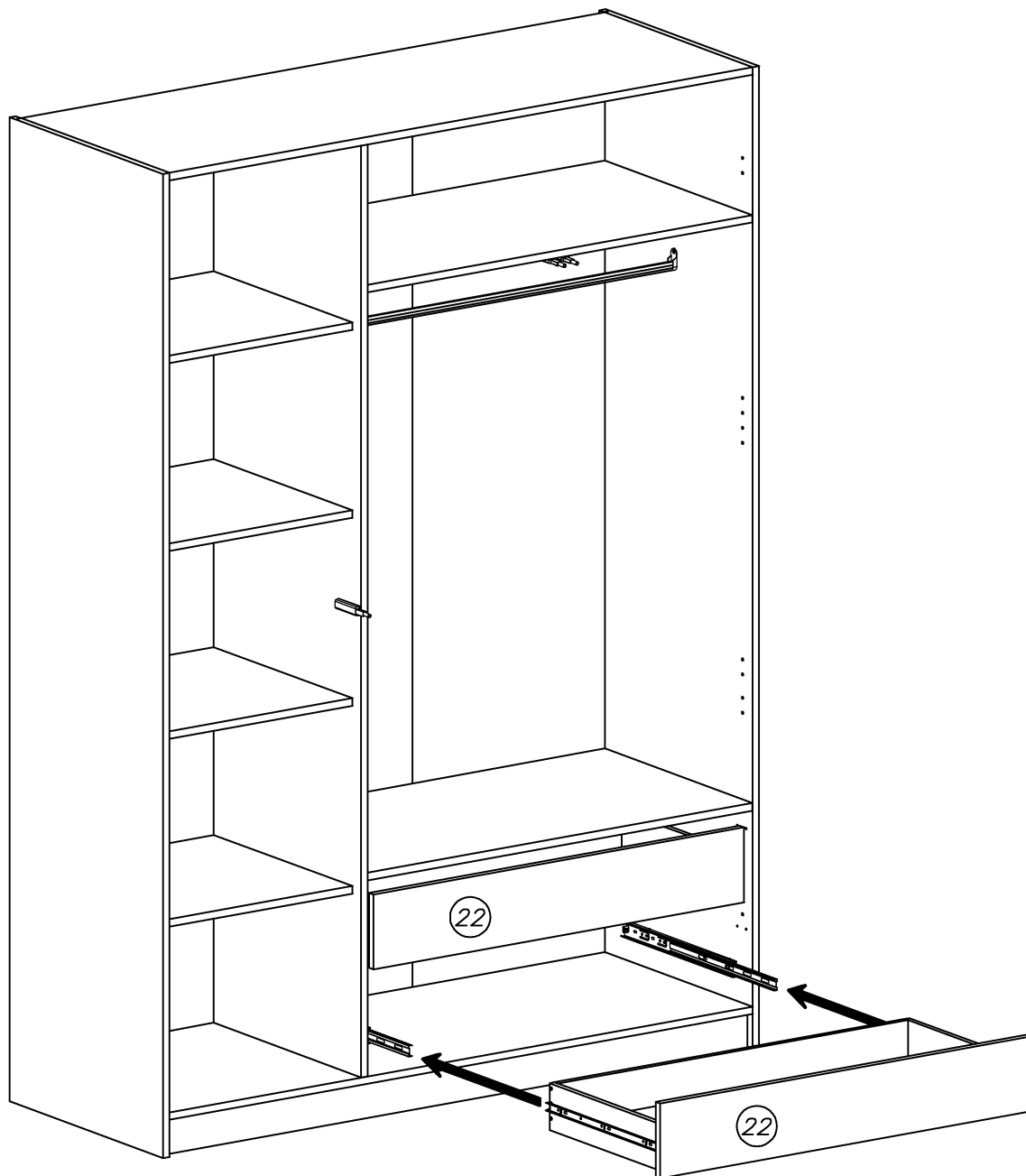
VII



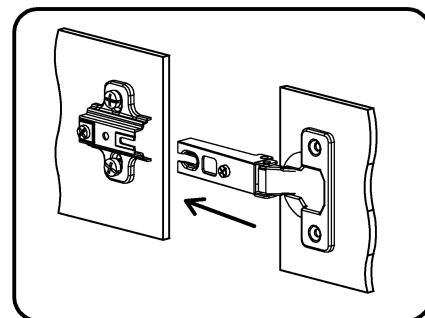
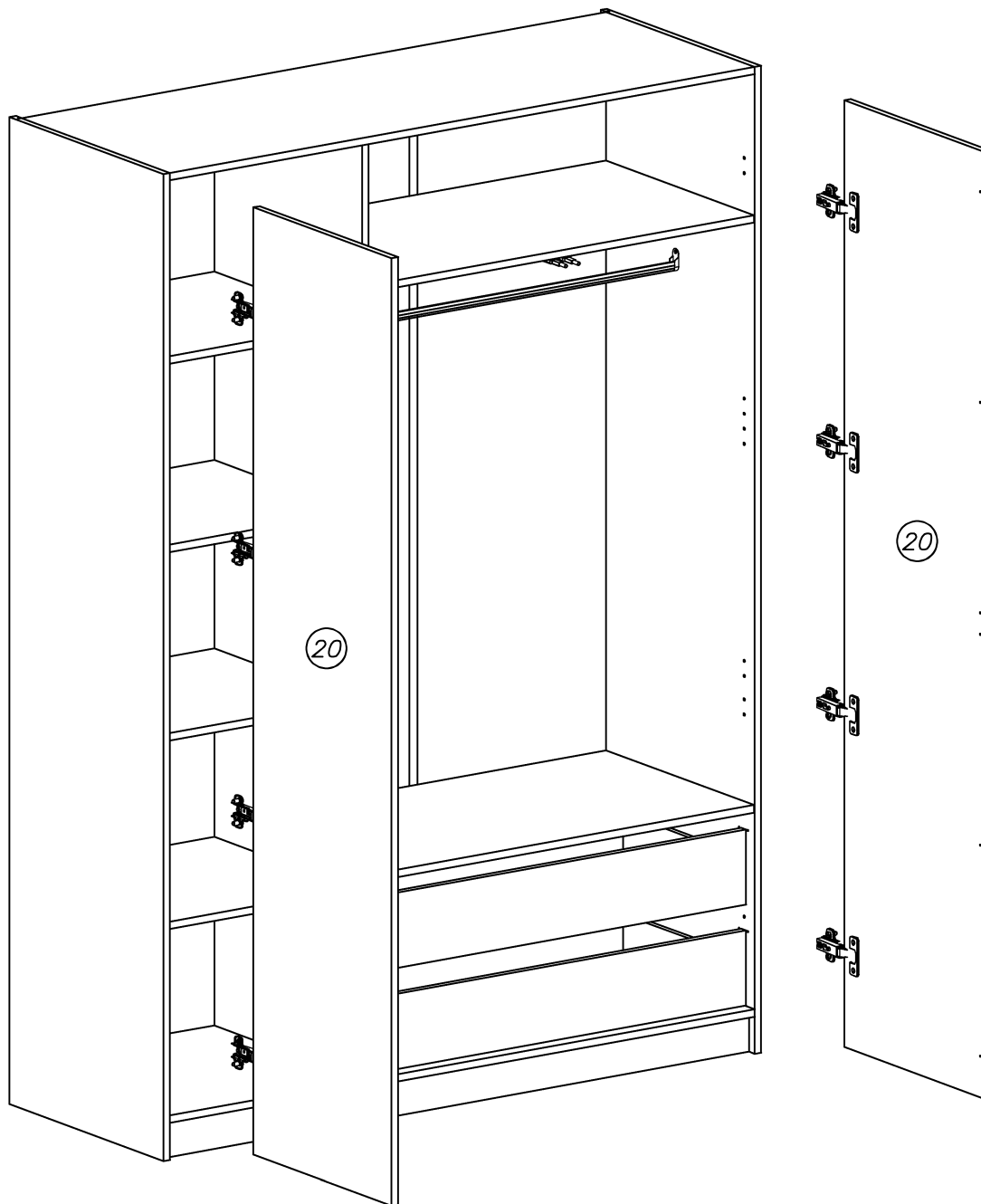
x3



VIII



IX



X

