

## **WARRANTY**

We strive to offer high-quality product and we also try our best to satisfy each customer that orders from us with product or service as needed.

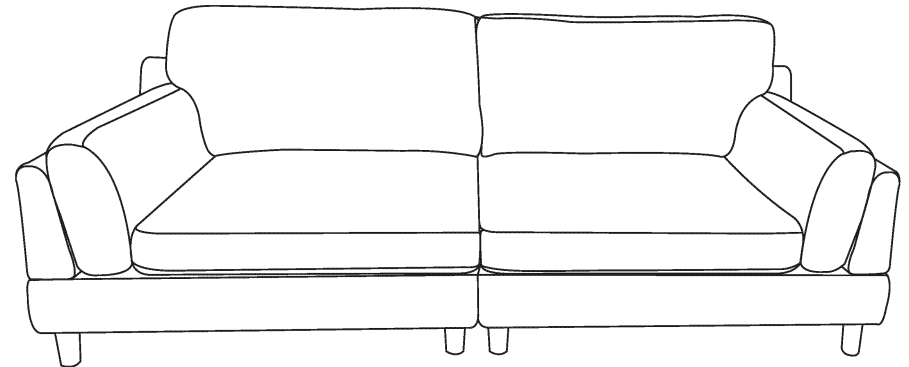
Each customer a record of their order such as the order number, or item receipt for any items that are out of the warranty period you may also still receive replacement parts by purchasing them with our company if they are available.

**Are you having difficulty  
with assembly? Missing parts?**

**Please contact us OR  
send an email with your order No. to us.**

**For return, please check the return policy with  
the retailer or market place you bought from.**

**Appreciate your purchasing from us.  
Pop up your life by our furniture !**



---

### **NOTE:**

This brochure contains IMPORTANT safety info. Please read and keep for future reference.

---

# MAINTAINANCE AND WARNING

- Keep furniture away from heat and fire.
- Keep furniture away from sharp objects.
- Do not clean furniture with harsh cleansers or polish. Do not use detergents, Solvents, abrasives, spray packs or leather cleaner. Use non-color mild soap with warm water clean spills(Mix 1:10 soap to water)
- Do not place furniture under direct sunlight, material will possibly fade over time.
- Do not jump or strike on the furniture.
- Do not write on furniture without a padded barrier to protect the surface.
- Not for commercial use, For residential use only.

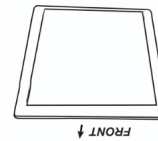


Weight Limitation

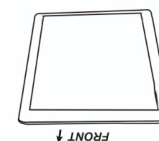
**400LBS Per Seat Unit**

# PARTS LIST

A-L:  
Left side seat frame



A-R:  
Right side seat frame



B-L:  
Left side armrest



B-R:  
Right side armrest



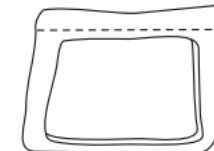
C-L:  
Left side backrest frame



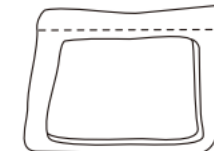
C-R:  
Right side backrest frame



D-L:  
Left side seat cushion packed in compression bag x 1



D-R:  
Right side seat cushion packed in compression bag x 1



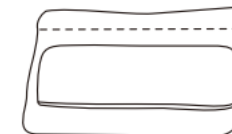
E-L:  
Left side back cushion x 1



E-R:  
Right side back cushion x 1



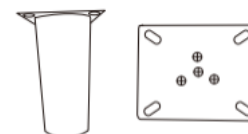
F-L:  
Left side arm cushion packed in compression bag x 1



F-R:  
Right side arm cushion packed in compression bag x 1

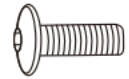


G-1:  
Legs x 8



# HARDWARE and TOOL LIST

H x 32



M8x20

I x 1



M8

J x 12



Screw handle

K x 12

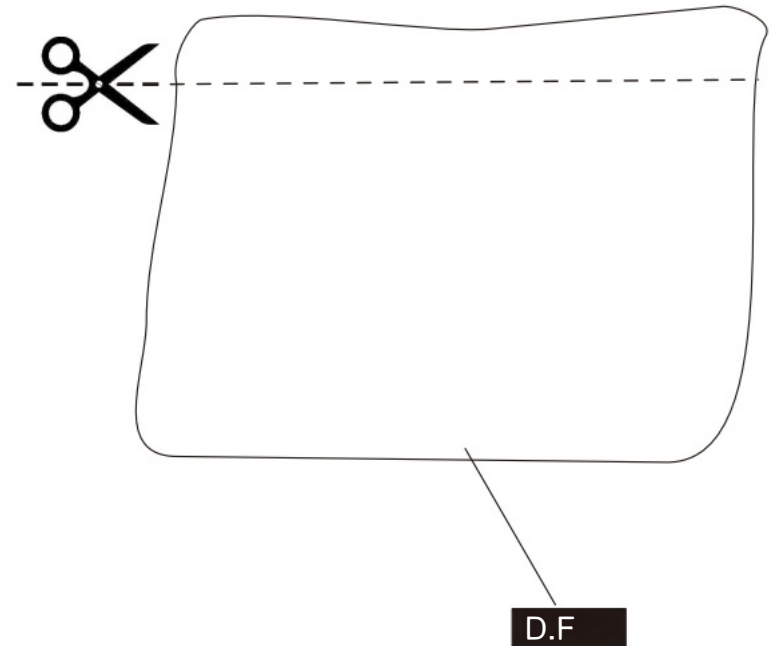


Screw

# ASSEMBLY INSTRUCTIONS

## step 1

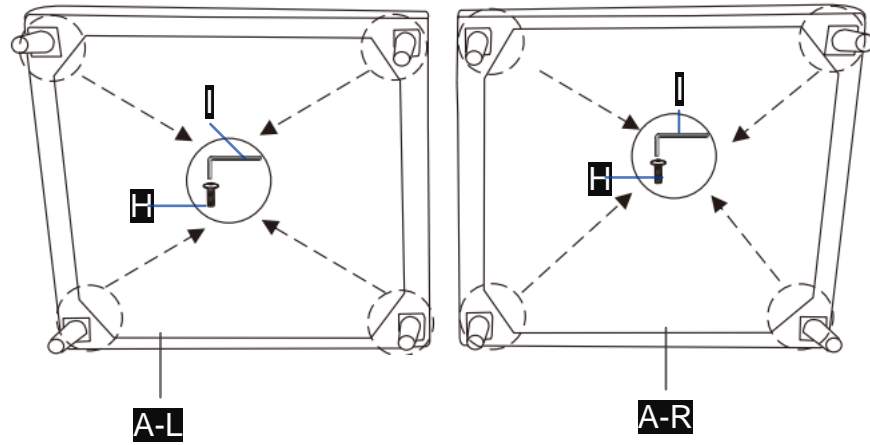
Take the compressed soft cushion out of the compression bag and allow it to recover for a period of time. It takes about 24 hours for cushions to fully recover, and you can slap the cushions to speed up the recovery.



Be sure to check all packing material fitting the packing list. Be careful for small parts, which may have come loose inside the carton during shipment.

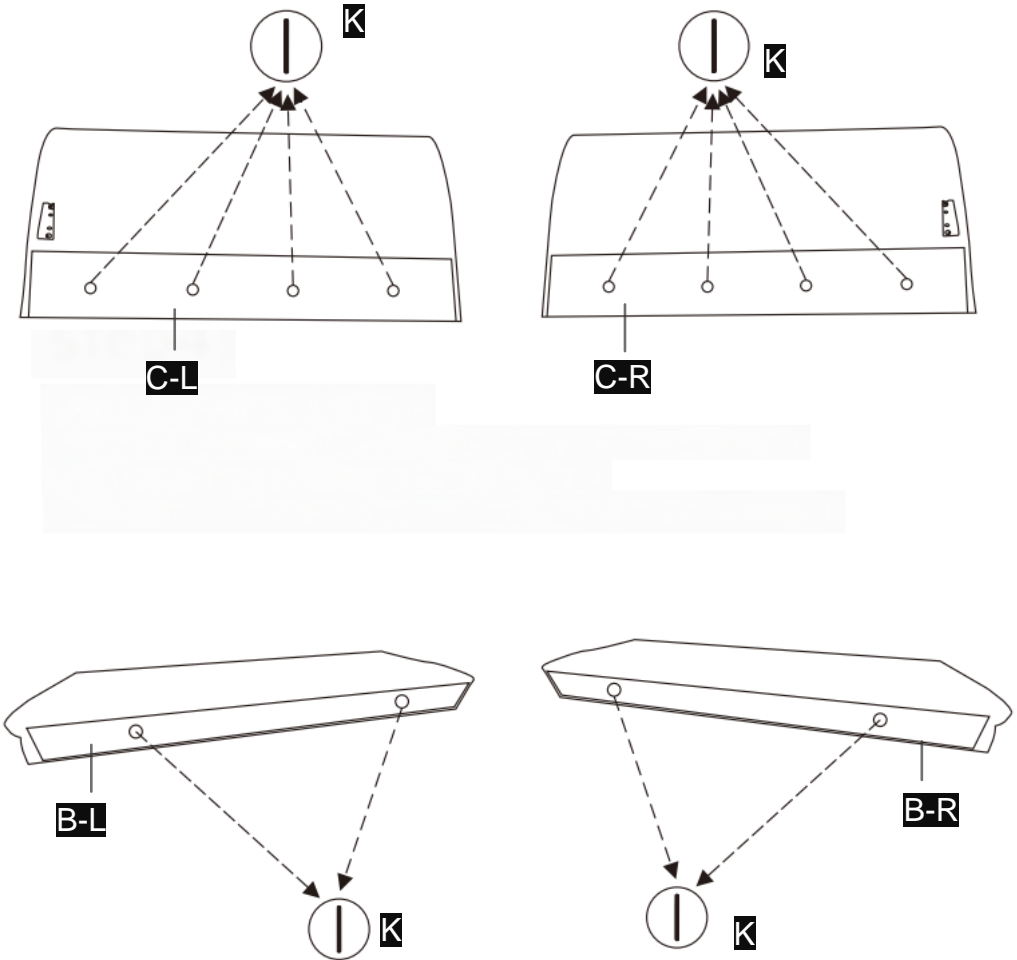
## step2

Put the bottom of the seat frame upward, and place it on a clean plane. Use screws to assemble the L-shaped wooden feet firmly onto the seat frame. There are four L-shaped wooden feet in each of the left and right seat frames.



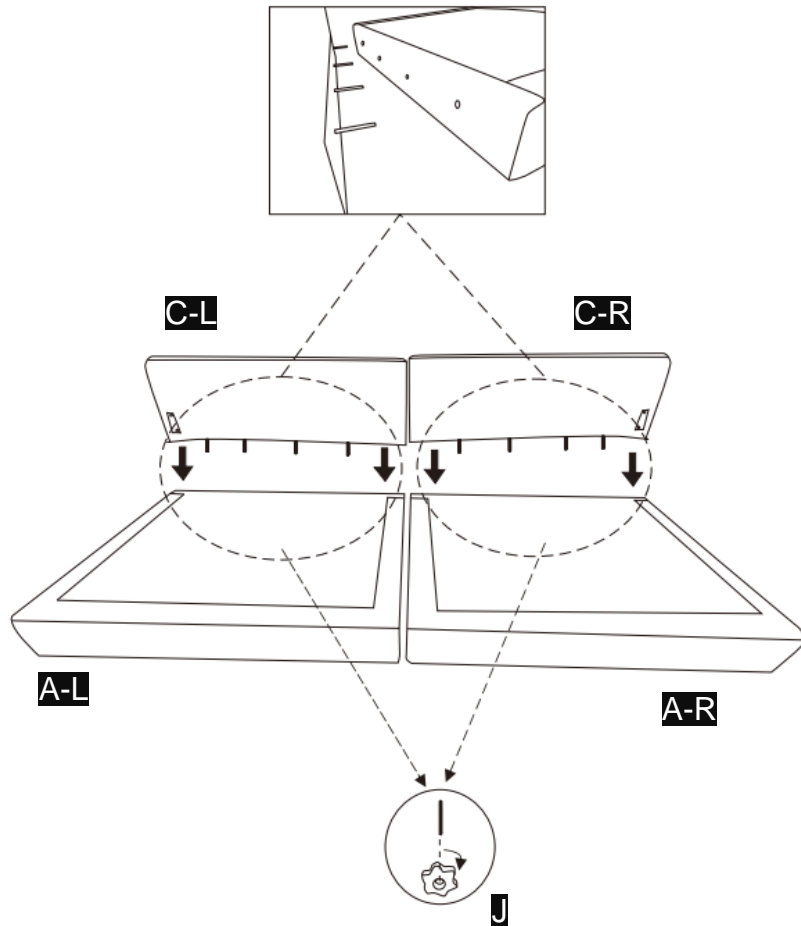
## step3

Turn screw insert into hole on the armrest and backrest until 1/3



## step4

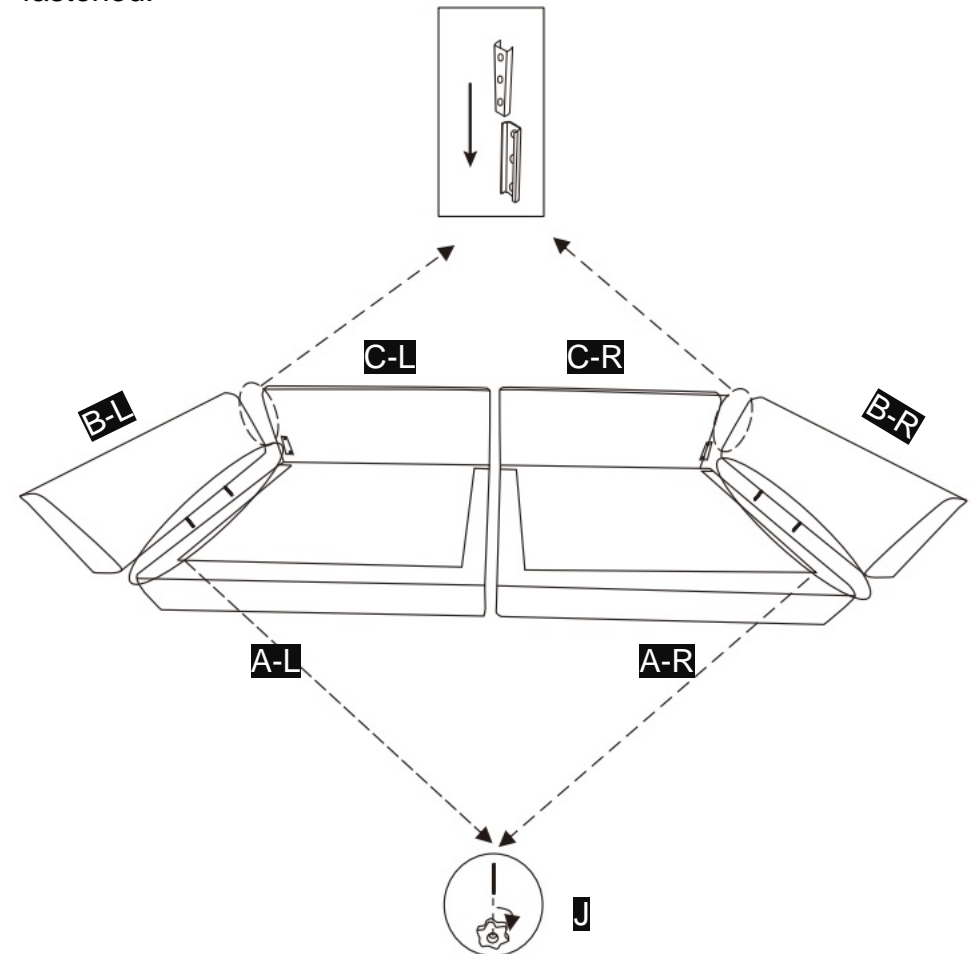
Fix screws with screw handle



Insert the other end of the screw installed on the backrest in the previous step into the hole reserved in the seat frame, then stand the seat frame on its side and turn it clockwise from the bottom of the seat with the screw handle until the backrest are completely fastened.

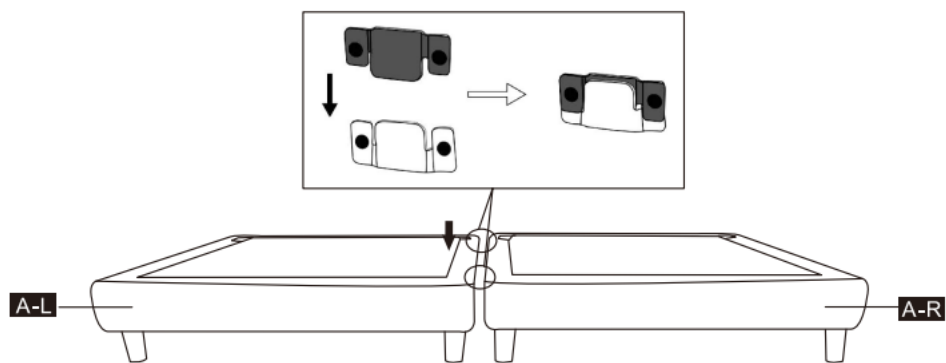
## step5

Two insert connectors of the backrest C-L&C-R align with the connectors embedded on one side of the armrest B-L&B-R and press down to make the backrest and armrest closely combined. At the same time, insert the other end of the screw installed on the armrest in the previous step into the hole reserved in the seat frame, then stand the seat frame on its side and turn it clockwise from the bottom of the seat with the screw handle until the armrest are completely fastened.



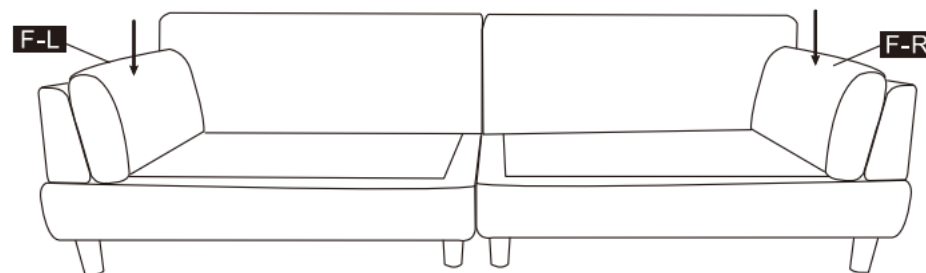
## step6

Assemble left side seat frame and right side seat frame by using the hooks.



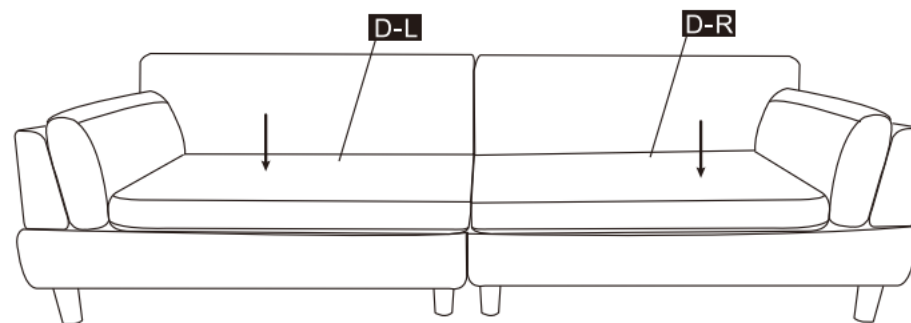
## step7

Put the armrest cushions onto seat frame.



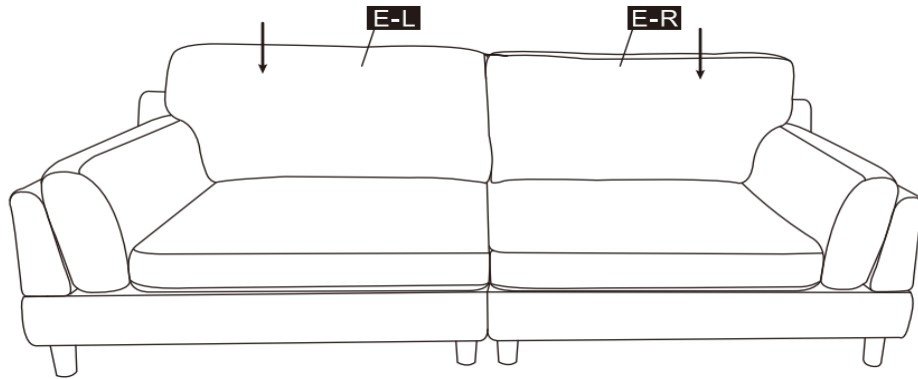
## step8

Put the seat cushions onto seat frame.



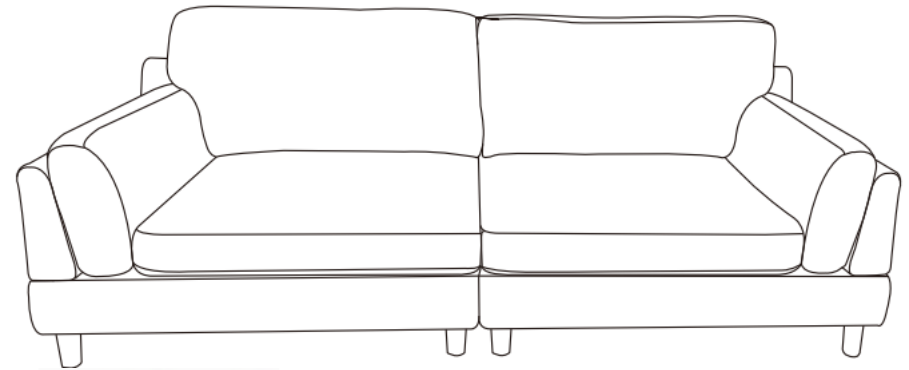
## step9

Put the backrest cushions onto backrest frame.



## step10

The compressed soft cushions need some hand massage to make them look nice.



**FINISH!**