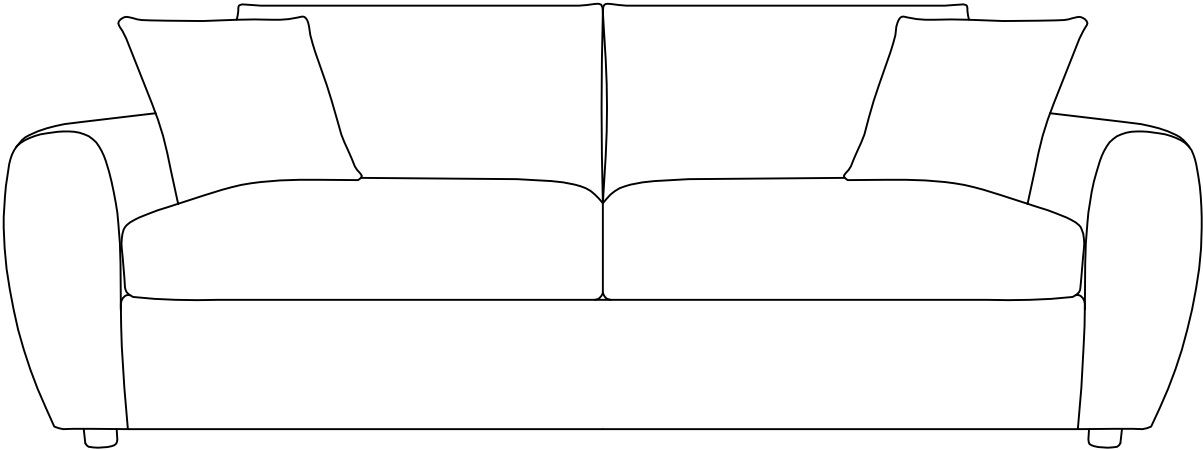
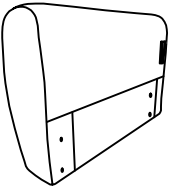
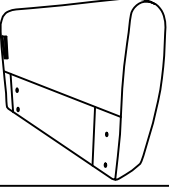
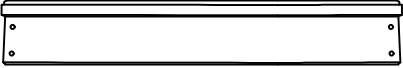
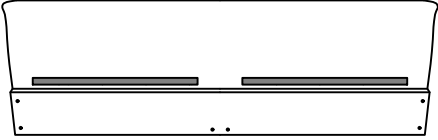


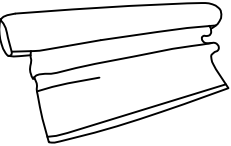
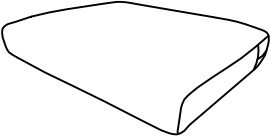
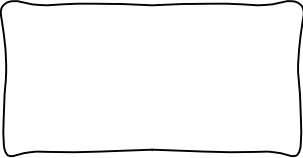
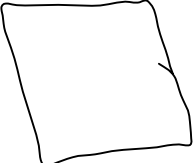


# Assembly Instruction

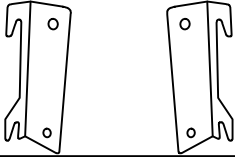
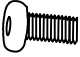

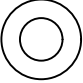
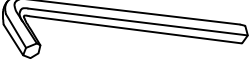

## Sofa



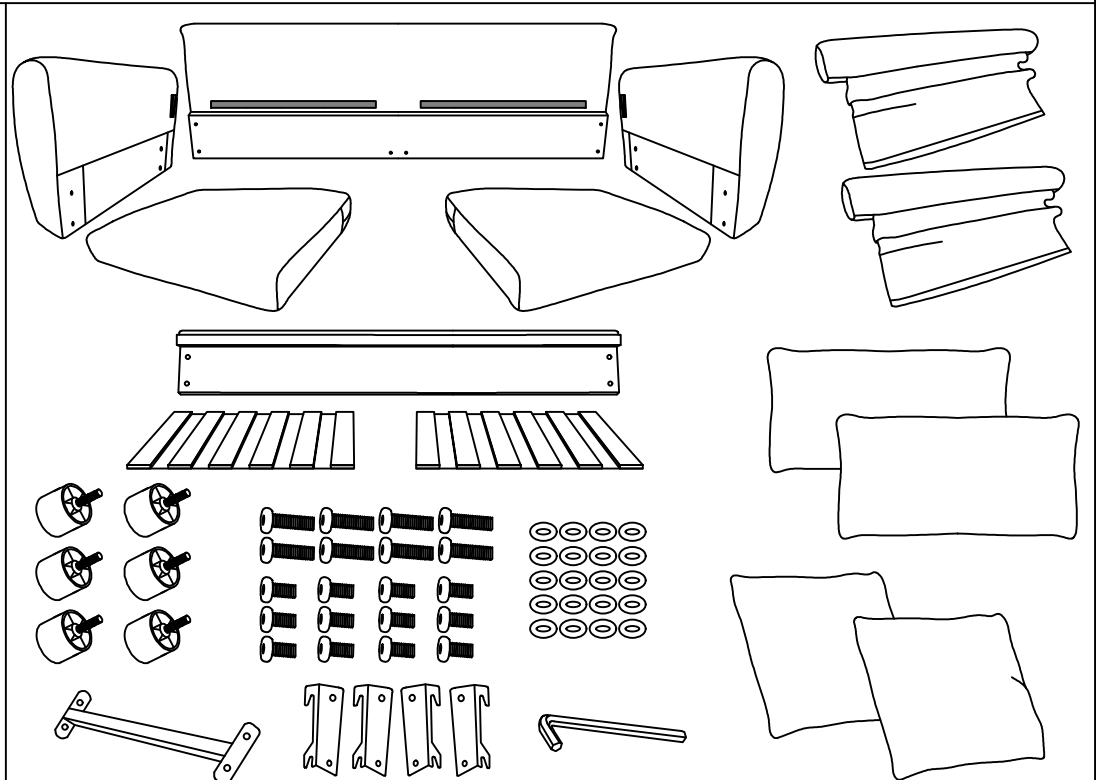
# Parts List




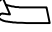

Label	Picture	Description	QTY
AL		Left Armrest	1
AR		Right Armrest	1
B		Front Rail	1
C		Backrest	1
D		Leg	6
E		Slats	2
F		Headrest	2
G		Seat Cushion	2
H		Back Cushion	2
I		Pillow	2

# Hardware

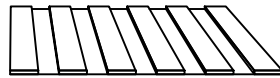
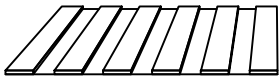
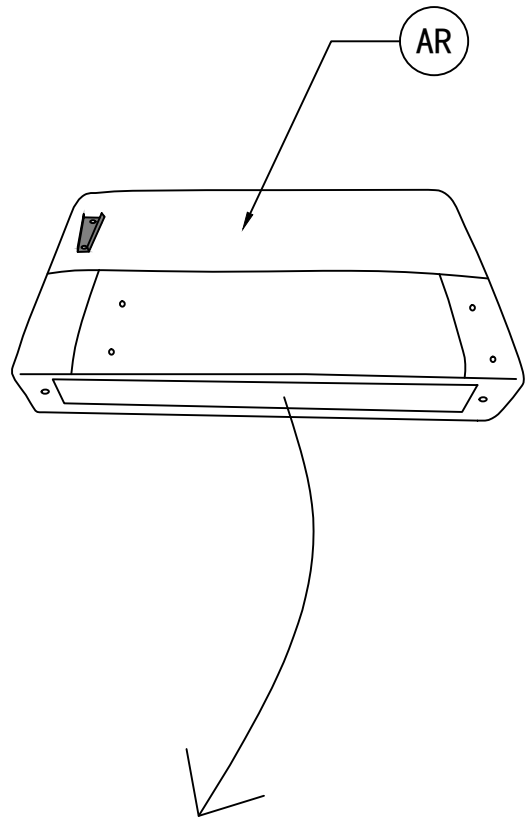
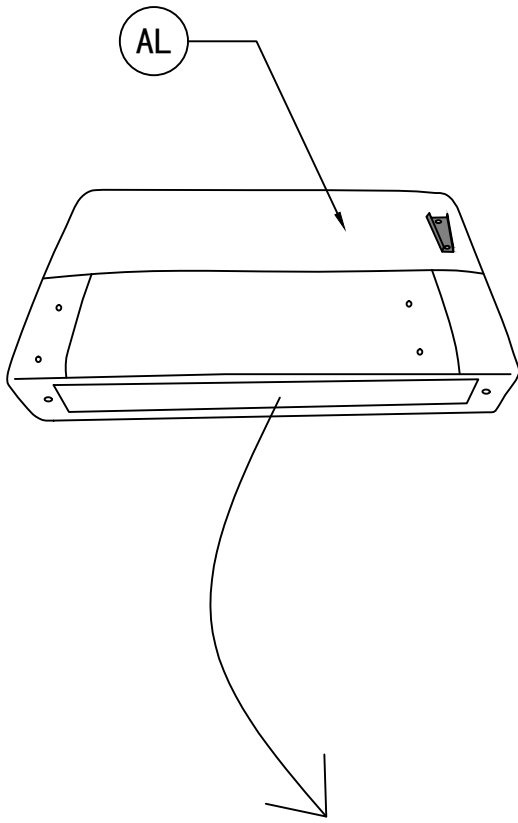
Label	Picture	Description	QTY
①		Corner Brace	2
②		Bolt (M8*15MM)	12
③		Bolt (M8*40MM)	8
④		Washer	20
⑤		Allen Key	1
⑥		Supporting pole	1

# Assembly Preparation



-  ● Read instructions, cover to cover.
-  ● Have 2 adults for assembly.
-  ● Do not assemble on flooring or carpet.
-  ● Assemble on a clean non-marring surface (packing foam).
-  ● Save all packaging until finished.

# Step1

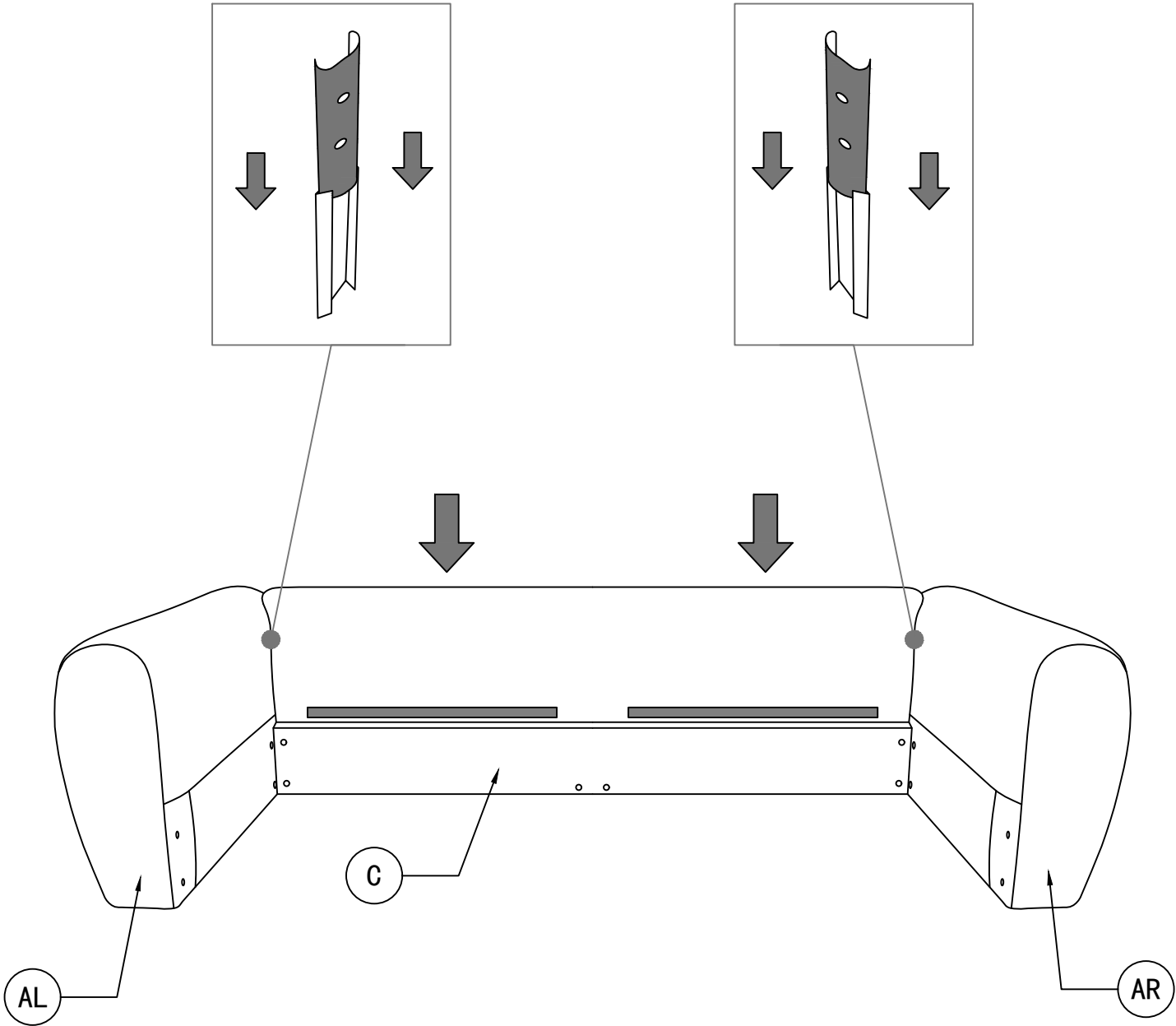


**E X 2**

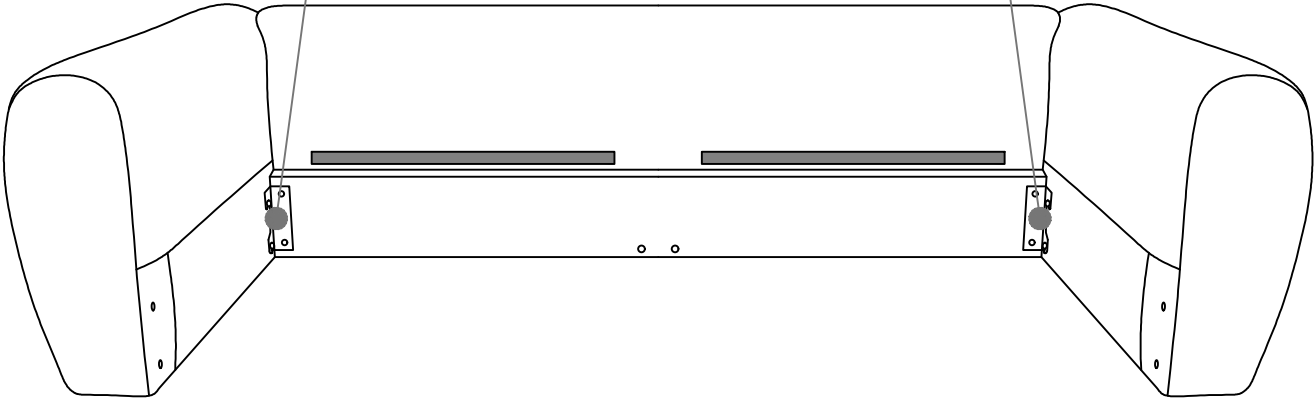
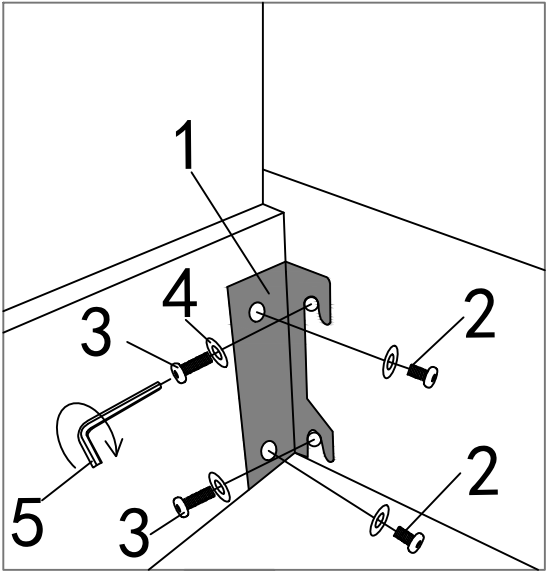
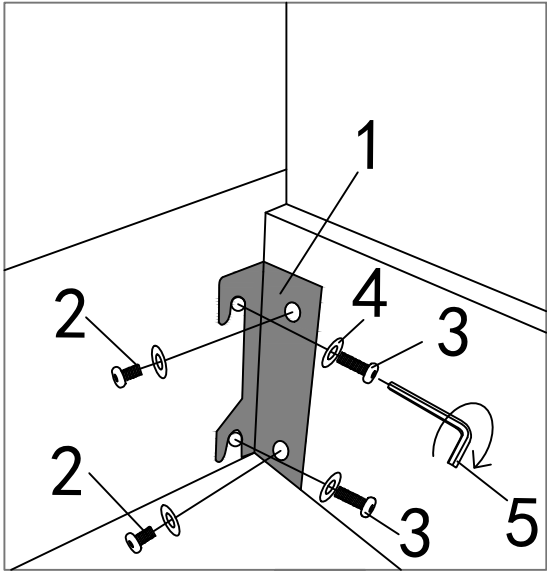


**⑤**

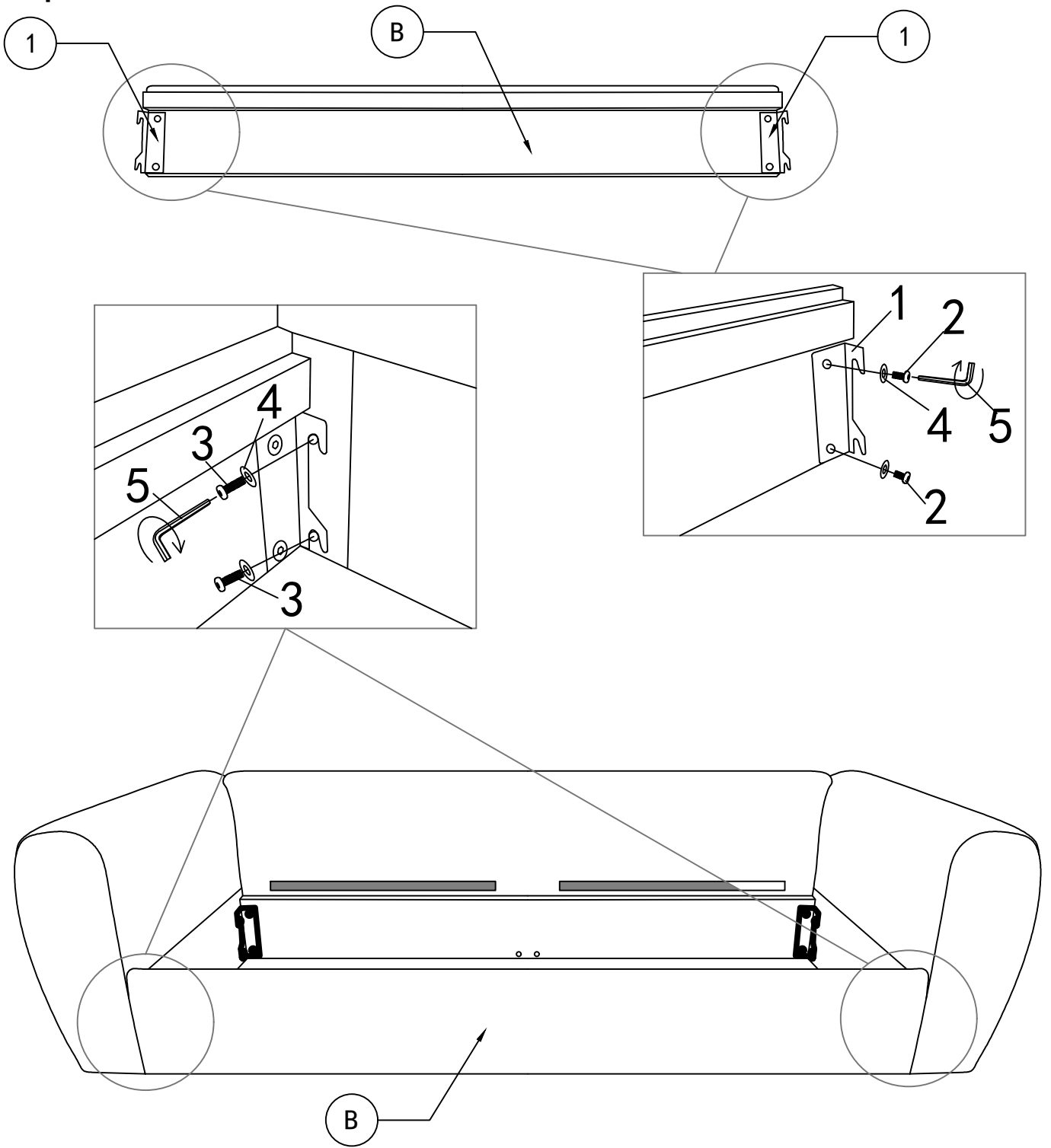
# Step2



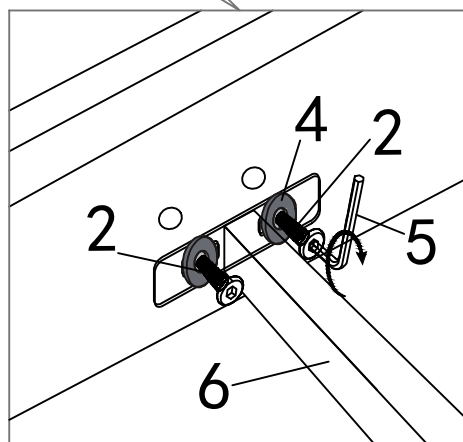
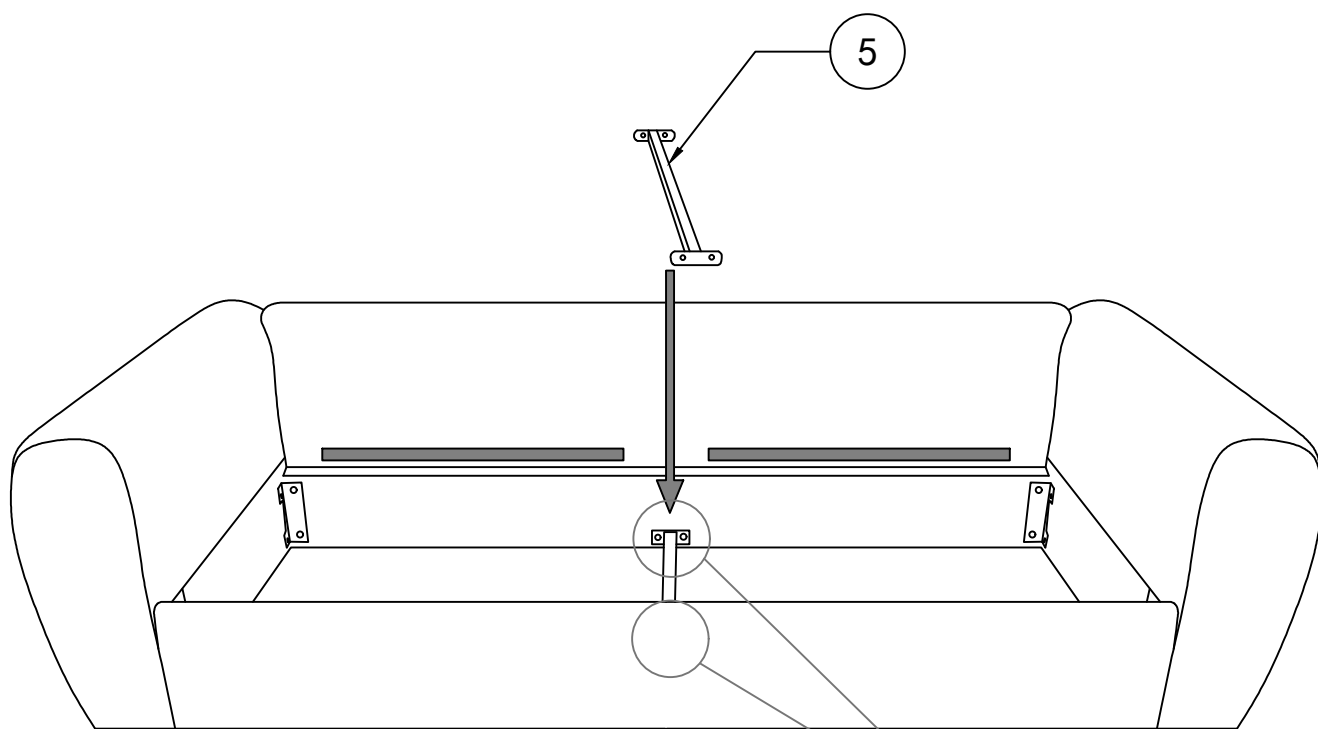
# Step3



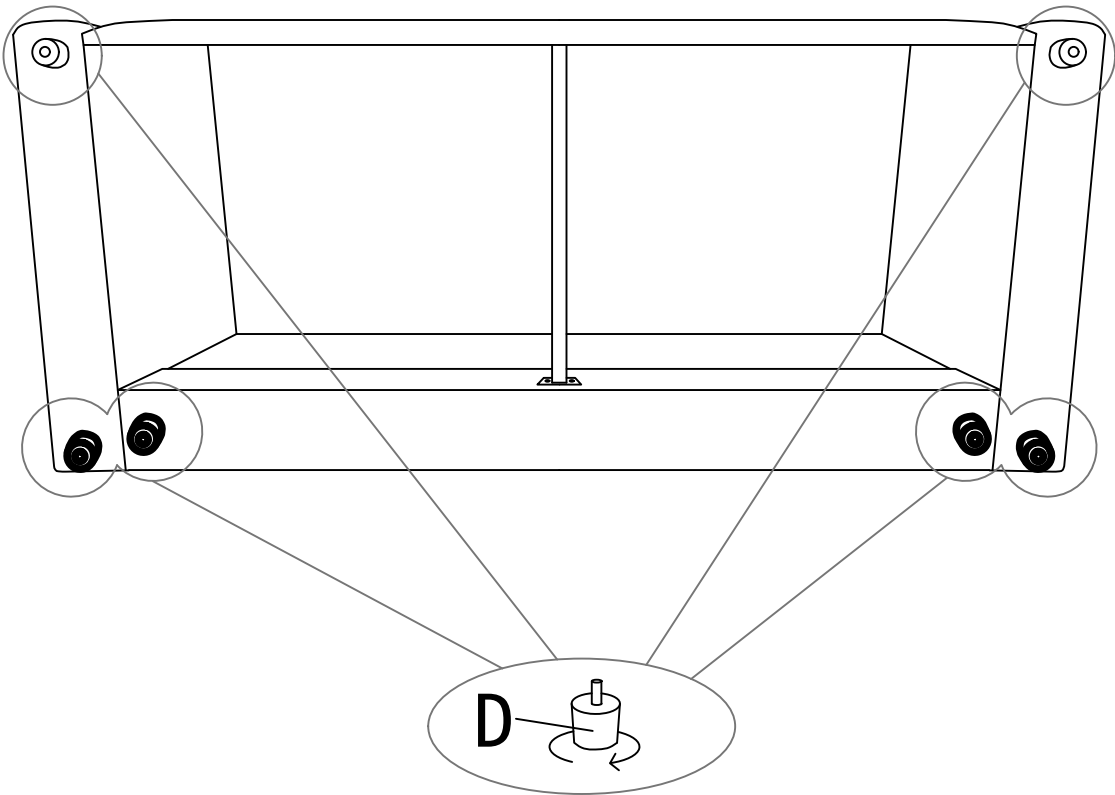
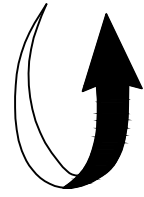
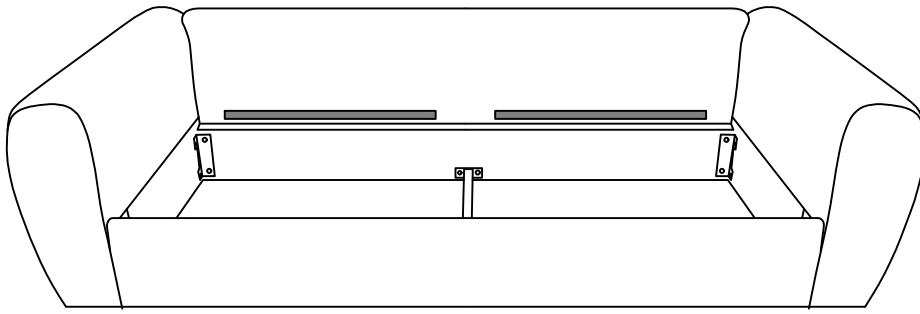
# Step4



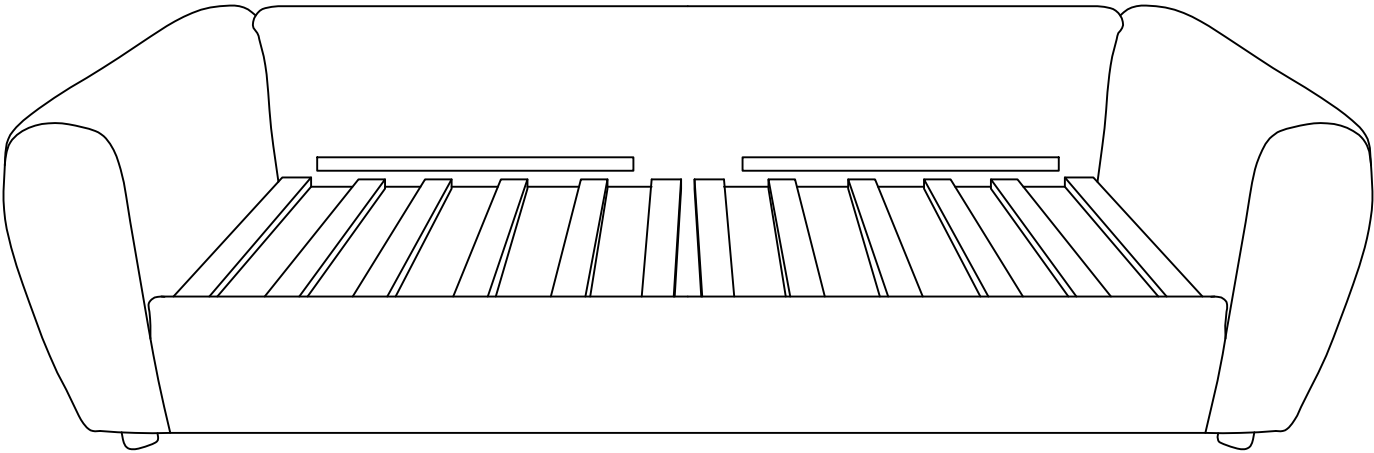
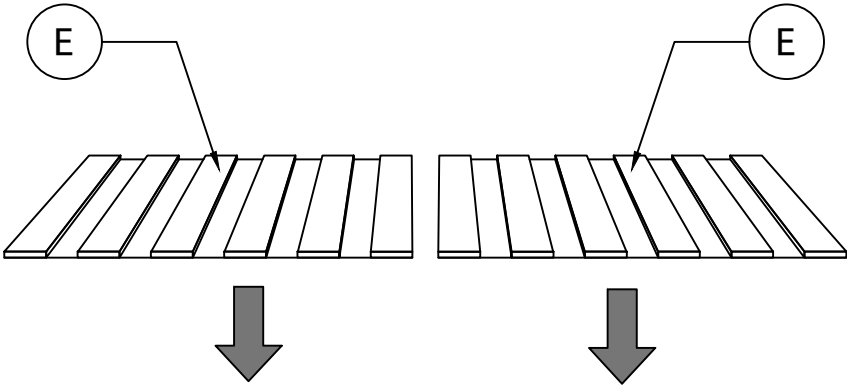
# Step5



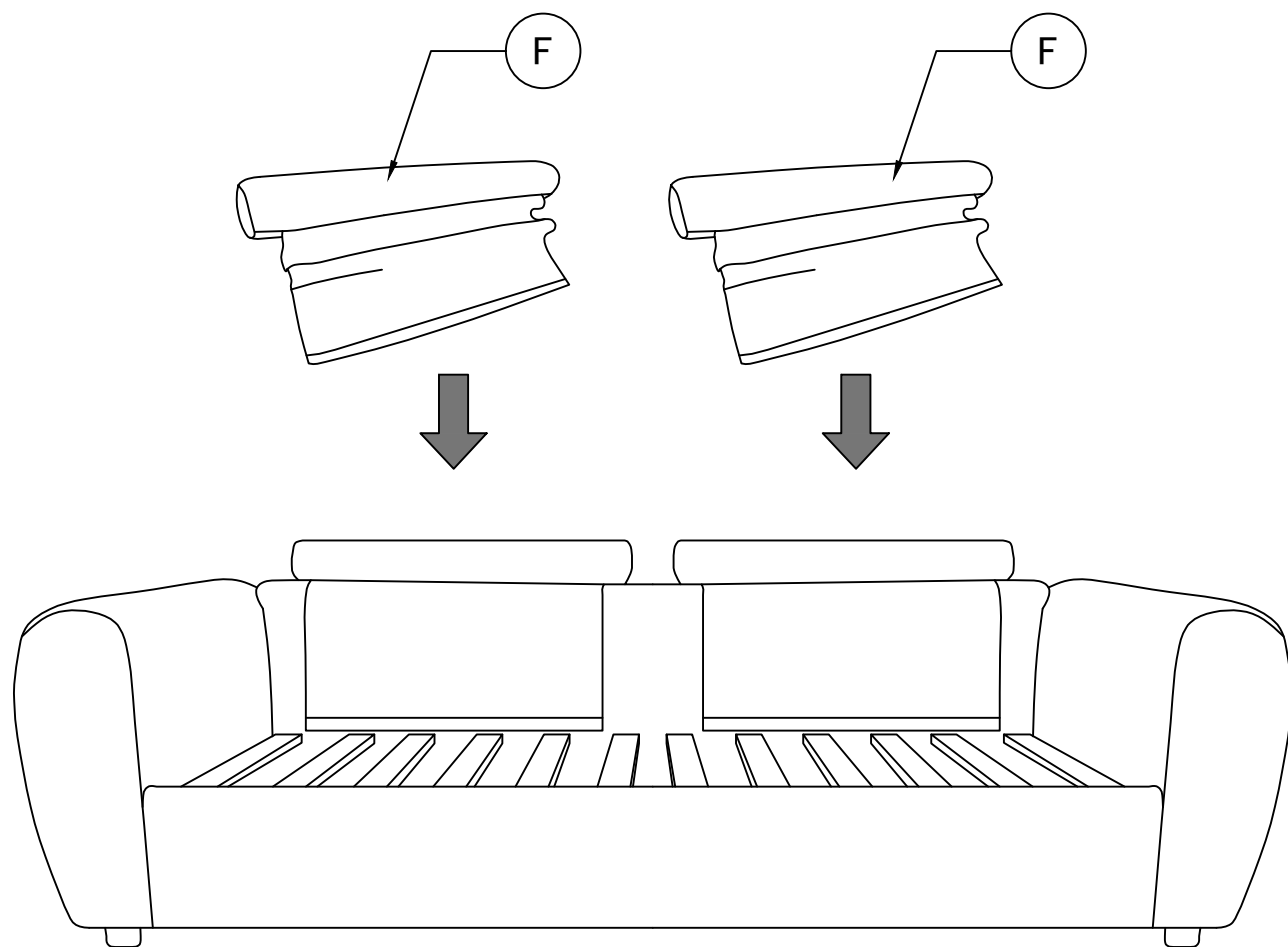
# Step 6



# Step7



# Step 8



# Step9

