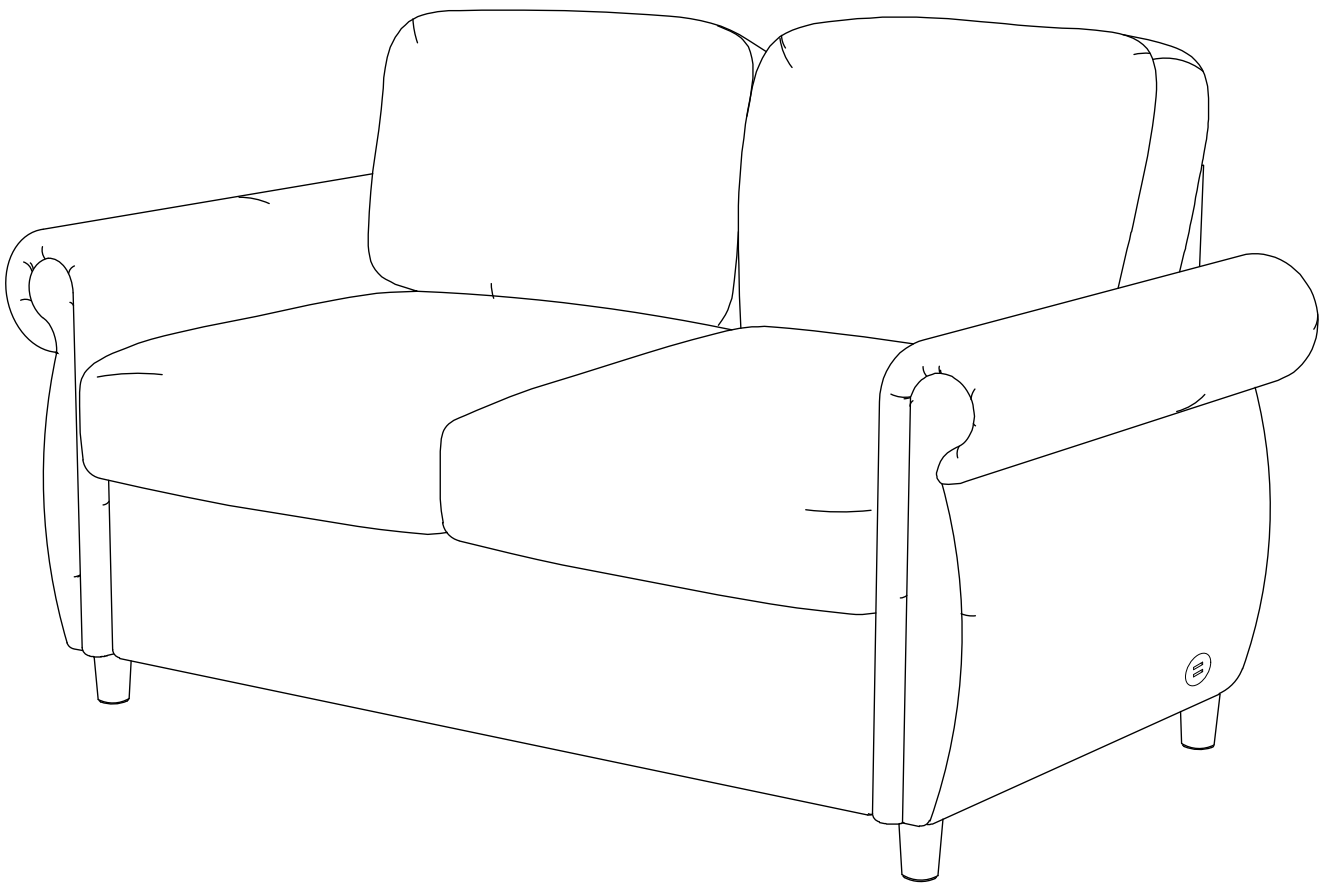
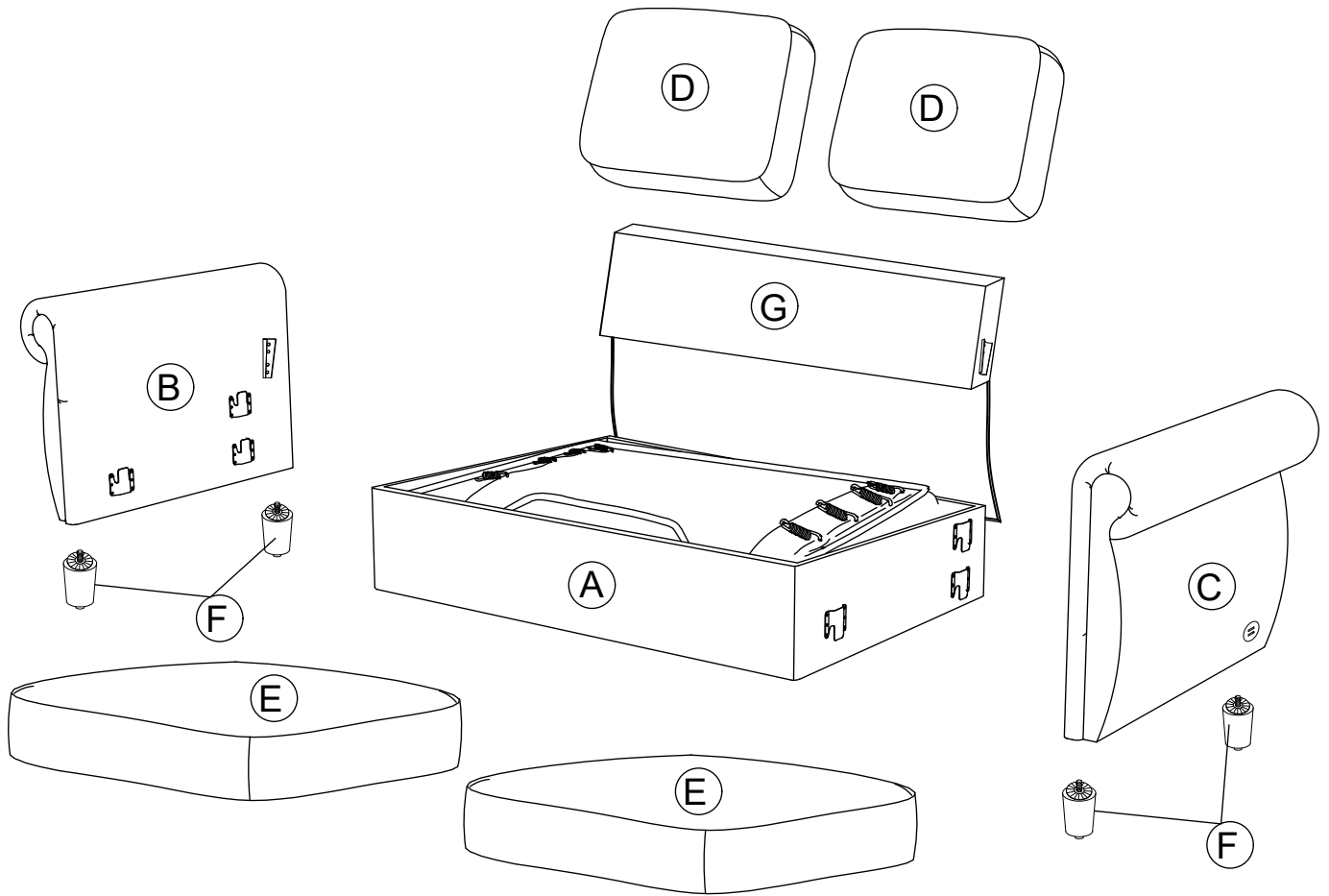
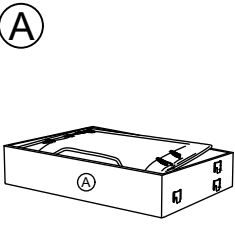
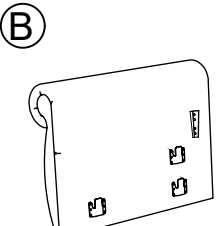
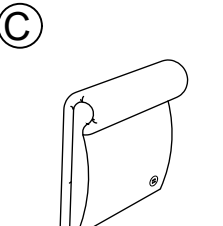
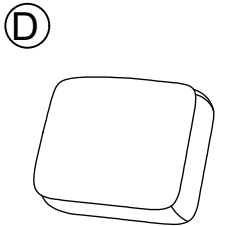
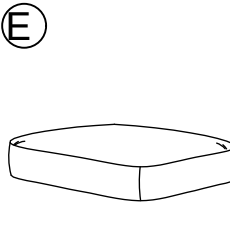
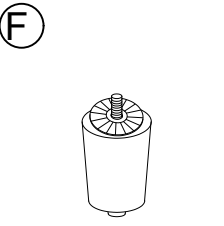
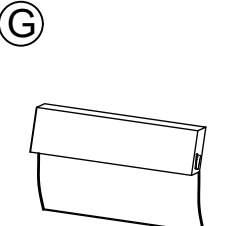


ASSEMBLY INSTRUCTION

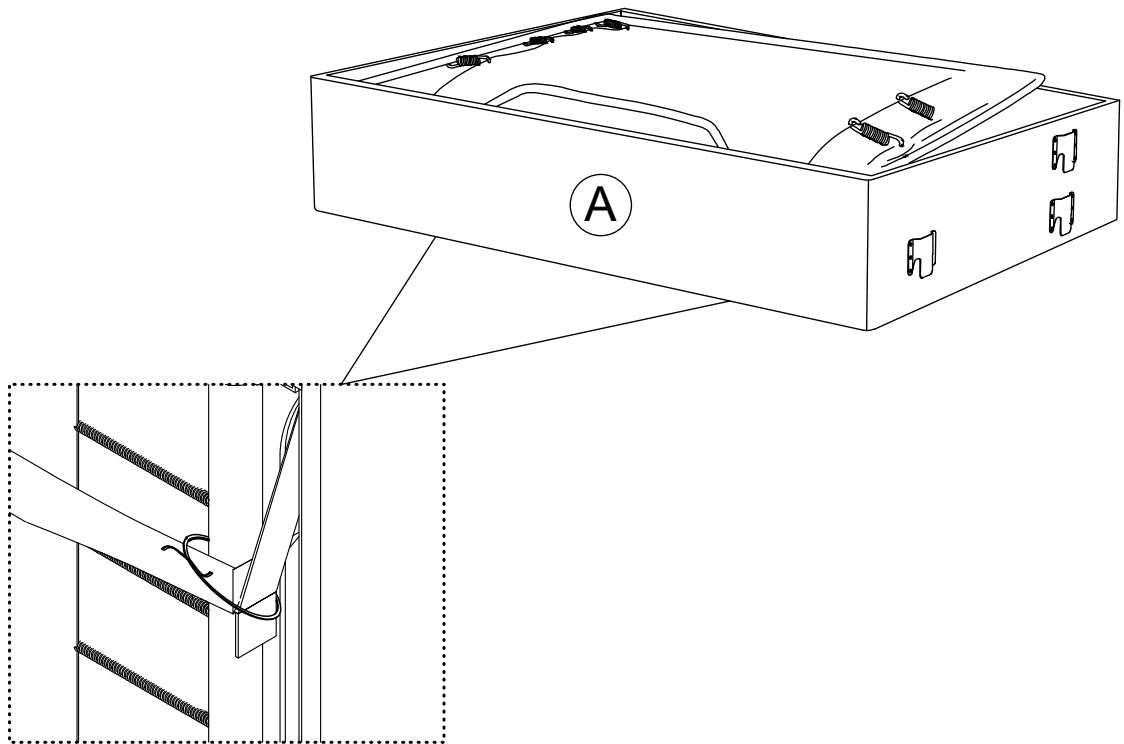


PARTS LIST

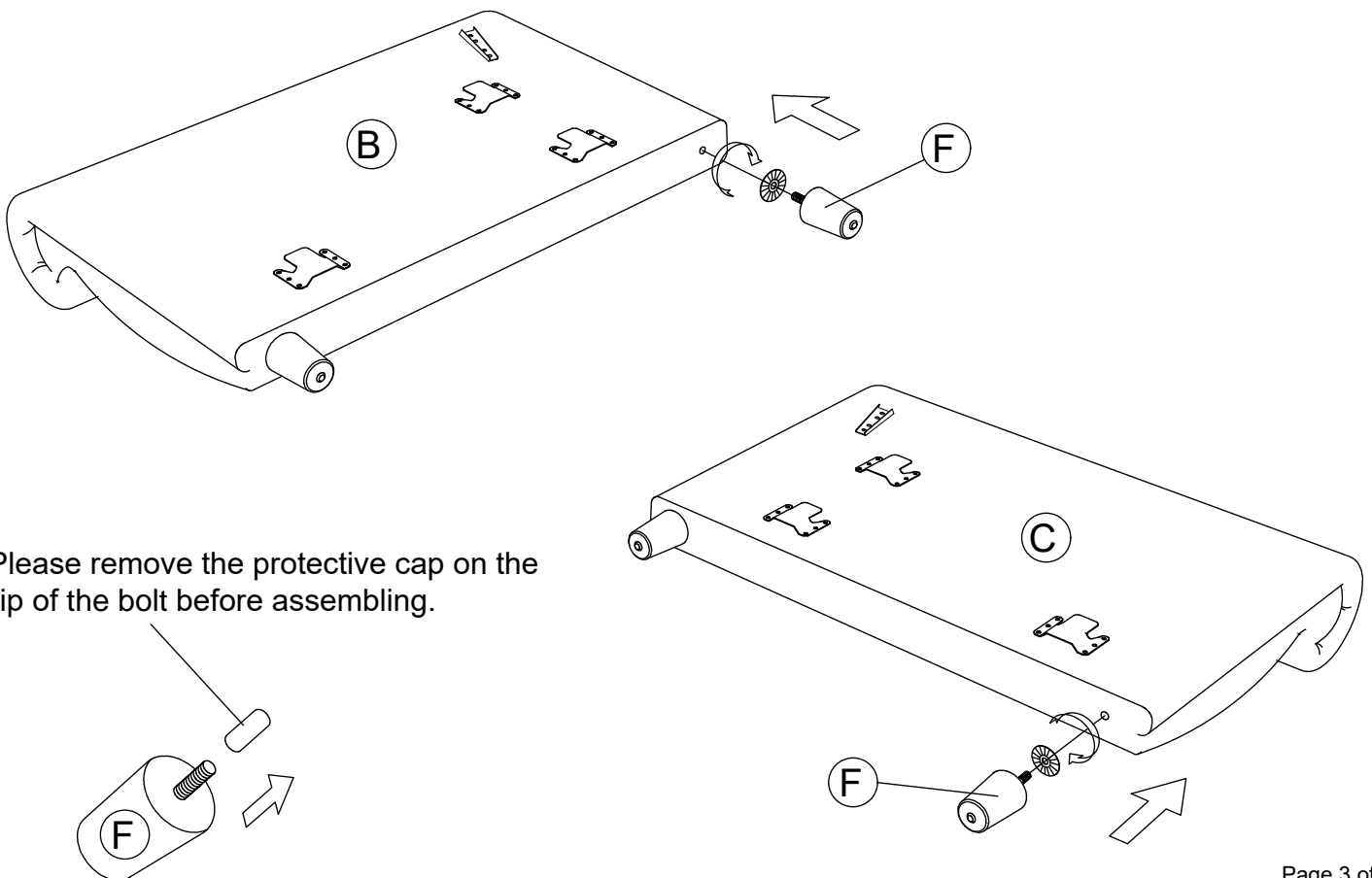


					
<p>Chair Body X 1PC</p>	<p>Arm Left X 1PC</p>	<p>Arm Right X 1PC</p>	<p>Back Cushion X 2PCS</p>	<p>Seat Cushion X 2PCS</p>	<p>Leg X 4PCS</p>
					
<p>Backrest X 1PC</p>					

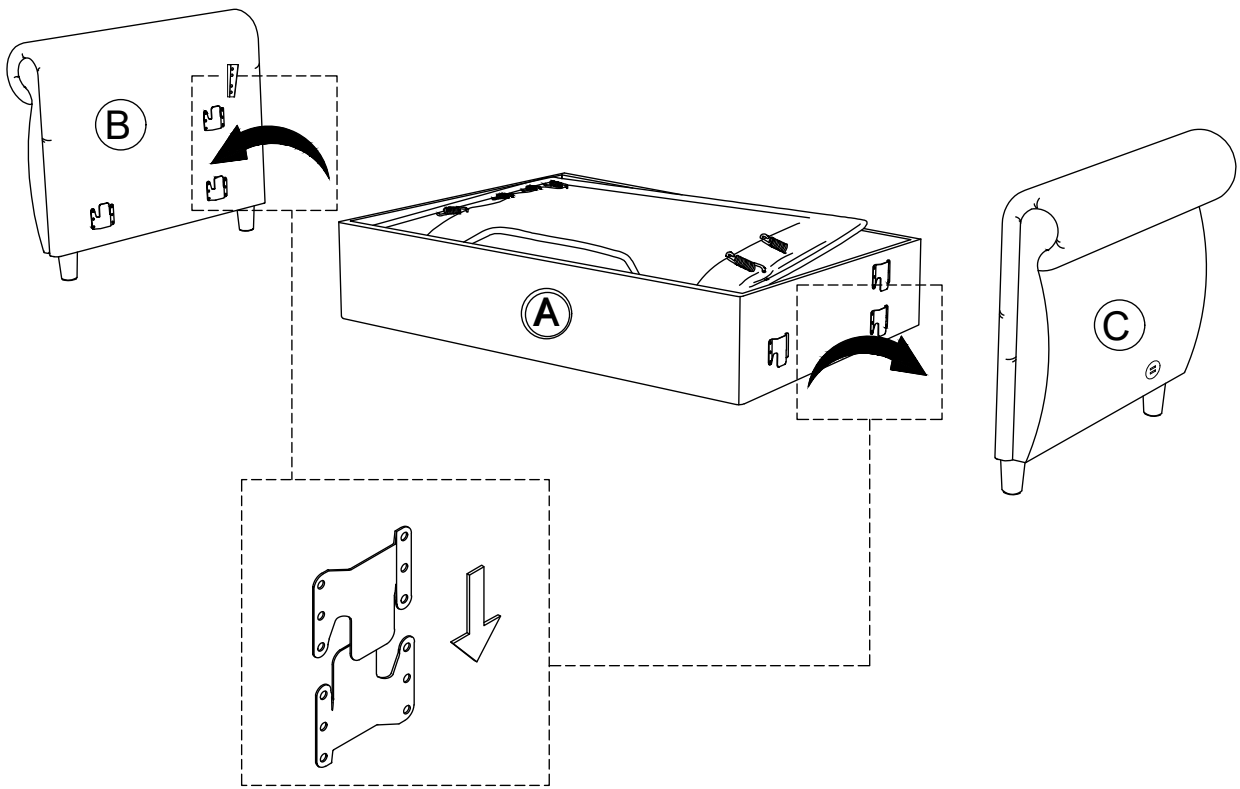
STEP 1: The folding bed assembly has been secured with Tie-wraps for transportation purposes. DO NOT remove the tie-wraps on the front of bars of the assembly until you have finished Step 4 of the assembly process.



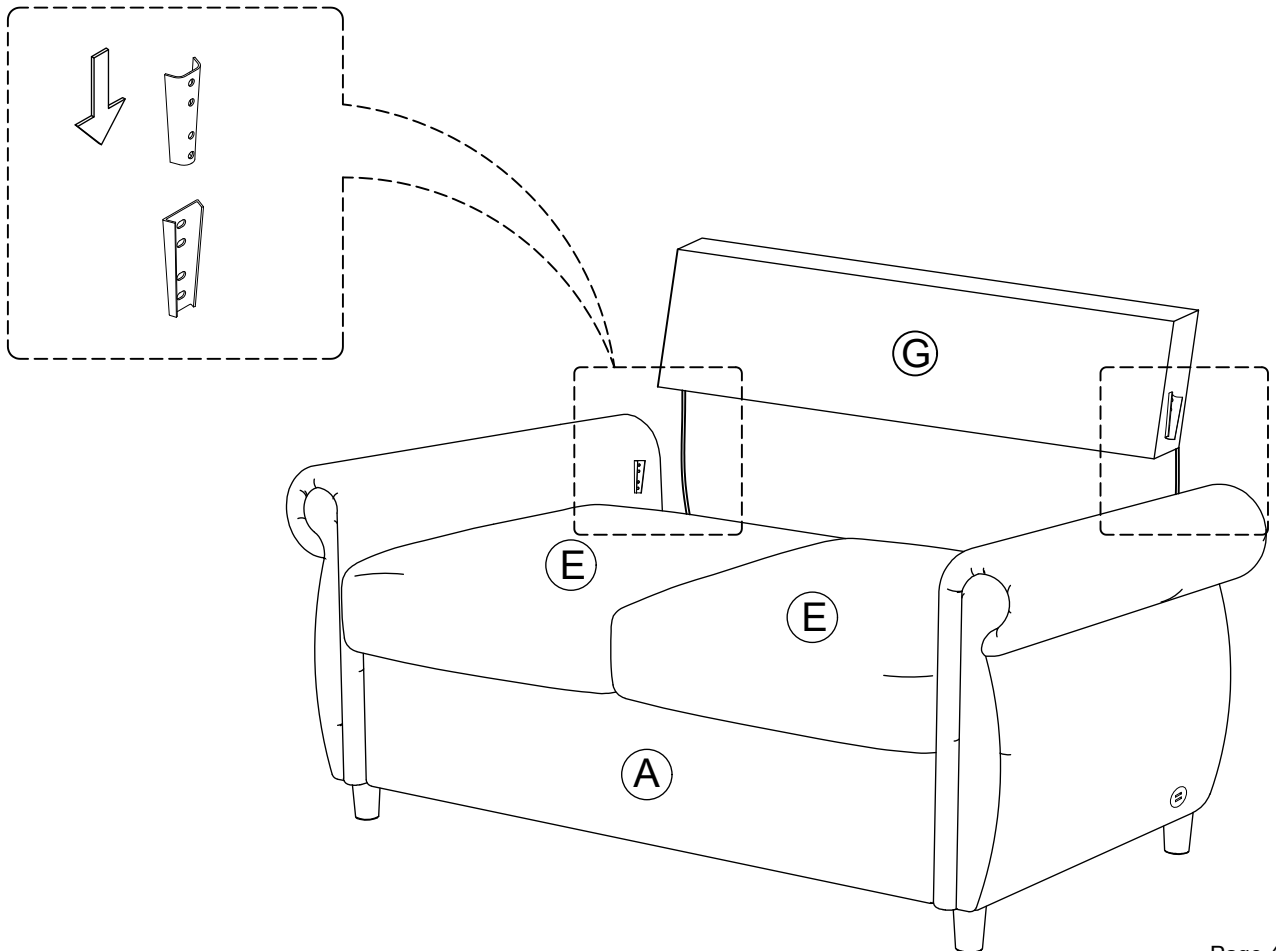
STEP 2:



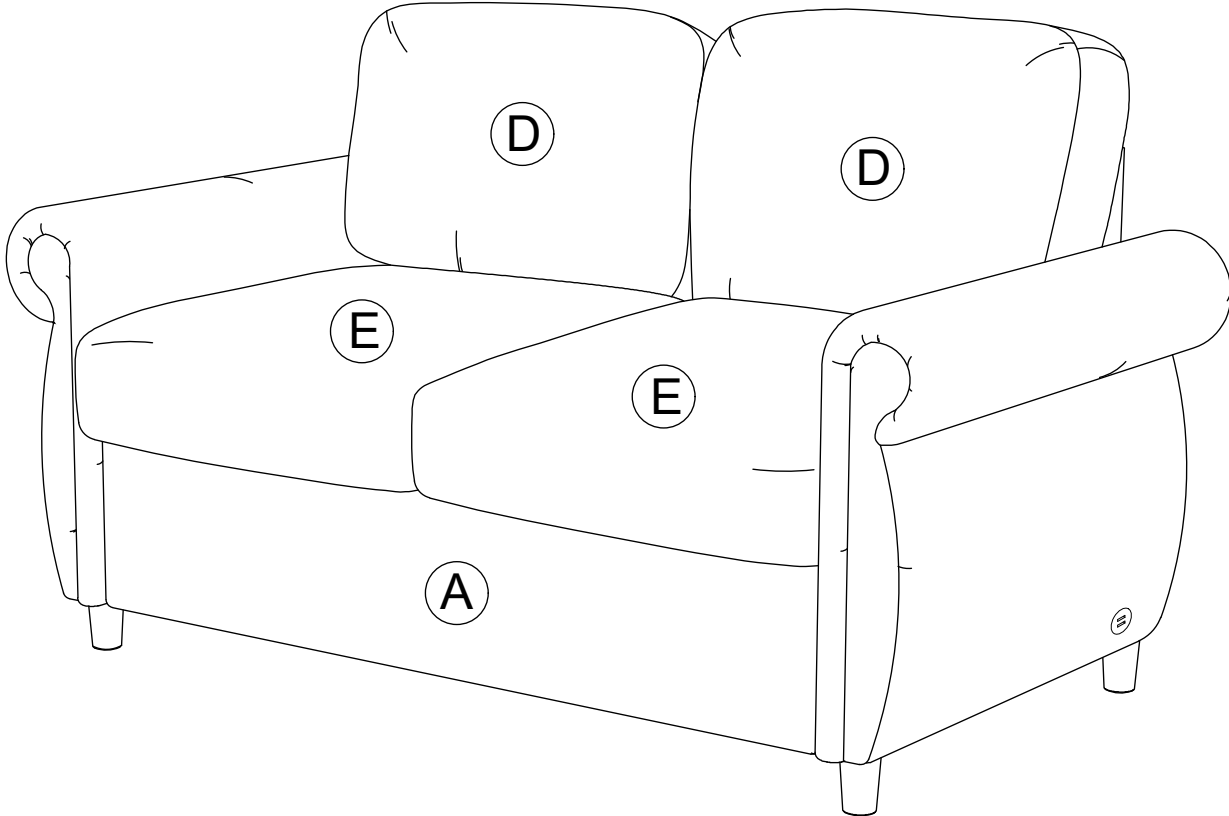
STEP 3:



STEP 4:

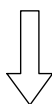
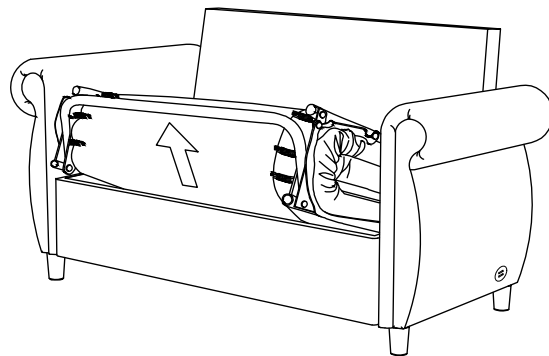
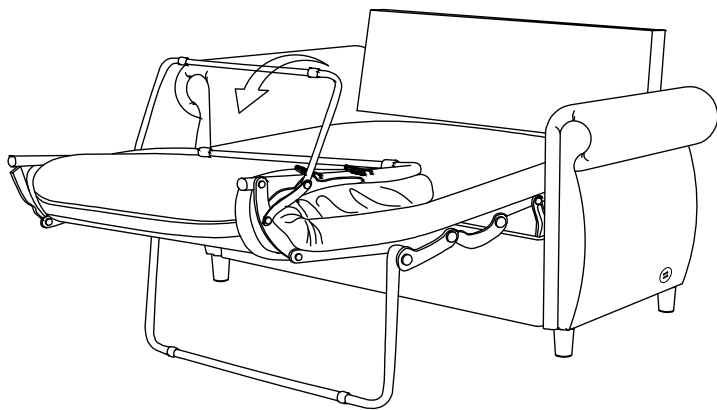


COMPLETED

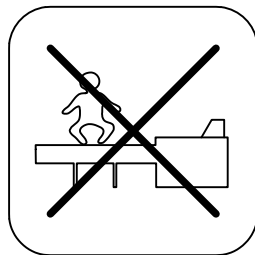
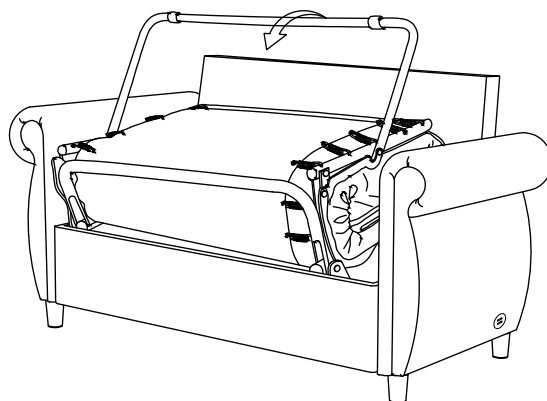
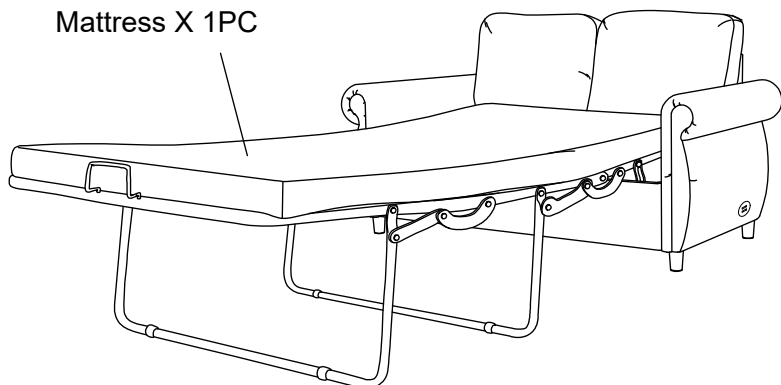


Helpful Hints

- Your futon can transform to a Sofa.
- Move your new furniture carefully, with two people lifting and carrying the unit to its new location.
- Your furniture can be disassembled and reassembled to move.
- Clean the product with a soft damp cloth. **DO NOT** use harsh chemicals or abrasive cleaners.



Mattress X 1PC



DO NOT fold while
linens or cushions are
on the mattress.

DO NOT jump on bed.
DO NOT allow children to
open or close the sofa bed.

DO NOT allow children to play underneath sofa when in the bed position.