

BRIZO®

ON-WALL HAND SHOWER

- Levoir® Bath Collection
- 4-Function Hand Shower

FEATURES:

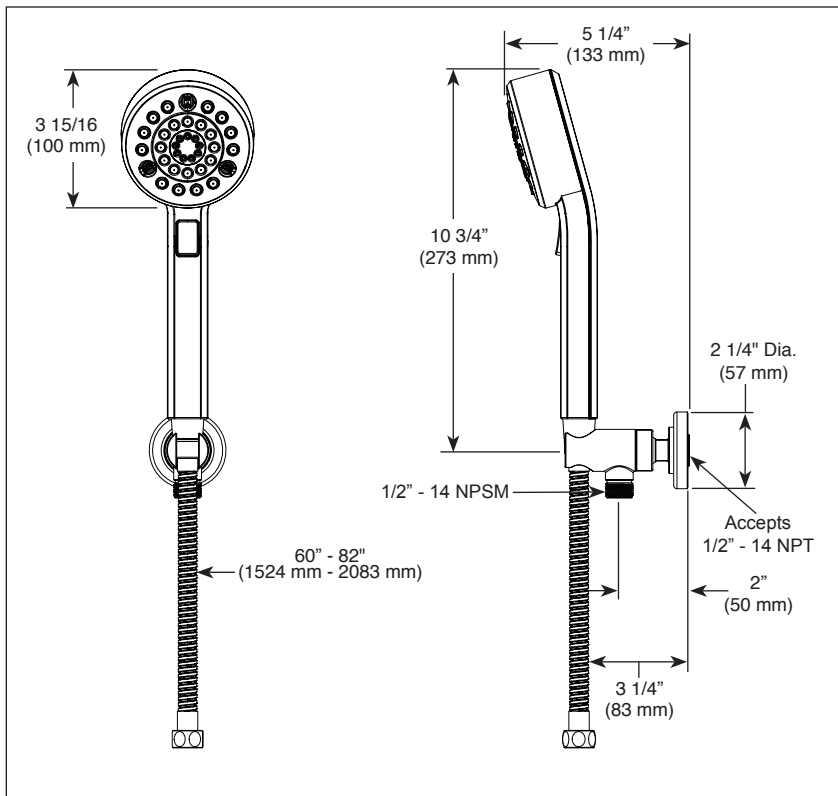
- Touch-Clean® Spray Holes
- H₂Okinetic® Technology

STANDARD SPECIFICATIONS:

- Max. flow rate 1.75 gpm @ 80 psi, 6.6 L/min @ 550 kPa
- Certified dual check valves for backflow prevention
- 60" - 82" (1524 mm - 2083 mm) stretchable finished metal hose
- Wall mount bracket with integrated elbow included
- Wall mount bracket swivel angle is 40° (20° per side)
- Integrated elbow has standard 1/2"-14 NPT supply fitting
- 4 Spray Settings: H₂Okinetic® Spray, Full Spray, Massage Spray and Pause. Pause is a non-positive shut-off.

WARRANTY

- Parts and Finish - Lifetime limited warranty; or for commercial purchasers, 10 years for multi-family residential (apartments and condominiums) and 5 years for all other commercial uses, in each case from the date the product is received by the original purchaser or their authorize representative (installation contractor, etc.).
- Please go to www.brizo.com for the complete details of our limited warranty.



▲ Designate finish suffix



COMPLIES WITH:

- ASME A112.18.1 / CSA B125.1◆
- EPA WaterSense®



ICC/ANSI A117.1

- ◆ Your Brizo hand shower incorporates a backflow protection system that has been tested to be in compliance with ASME A112.18.3 and ASME A112.18.1/CSA B125.1. It incorporates two certified check valves in series, which operate independently and are integral, non-serviceable parts of the wand assembly.

Brizo Kitchen & Bath Company reserves the right (1) to make changes in specifications and materials, and (2) to change or discontinue models, both without notice or obligation. Dimensions are for reference only. See current full-line price book or www.brizo.com for finish options and product availability.

Brizo Kitchen & Bath Faucet Company

55 E. 111th Street, Carmel, IN 46280
 350 South Edgeware Road, St. Thomas, ON N5P 4L1
 © 2025 Brizo Kitchen & Bath Faucet Company