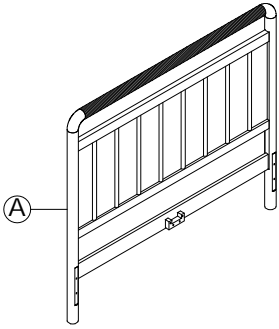


# PANEL QUEEN BED

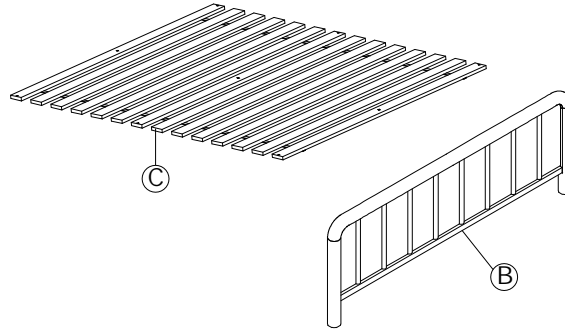
## ASSEMBLY INSTRUCTIONS

### PARTS PACKING CONFIGURATIONS

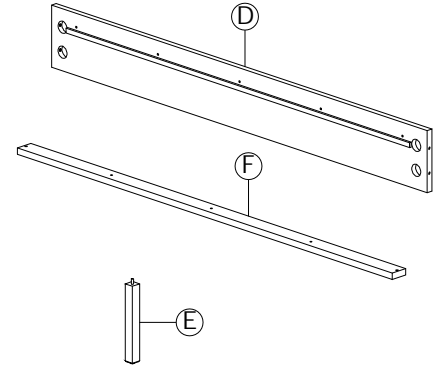
**BOX #1:**  
A. HEADBOARD 1 PC



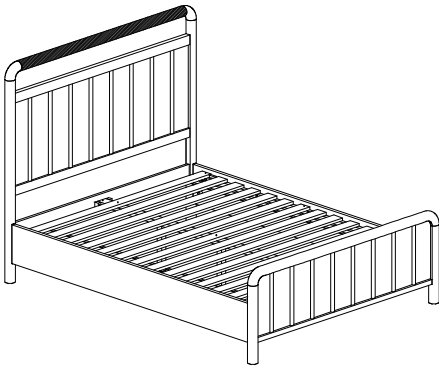
**BOX #2:**  
B. FOOTBOARD 1 PC  
C. SLAT ROLL 1 SET



**BOX #3:**  
D. SIDE RAILS 2 PCS  
E. SLAT SUPPORT LEG 3 PCS  
F. CENTER SLAT SUPPORT 1 PC



### FULLY ASSEMBLED

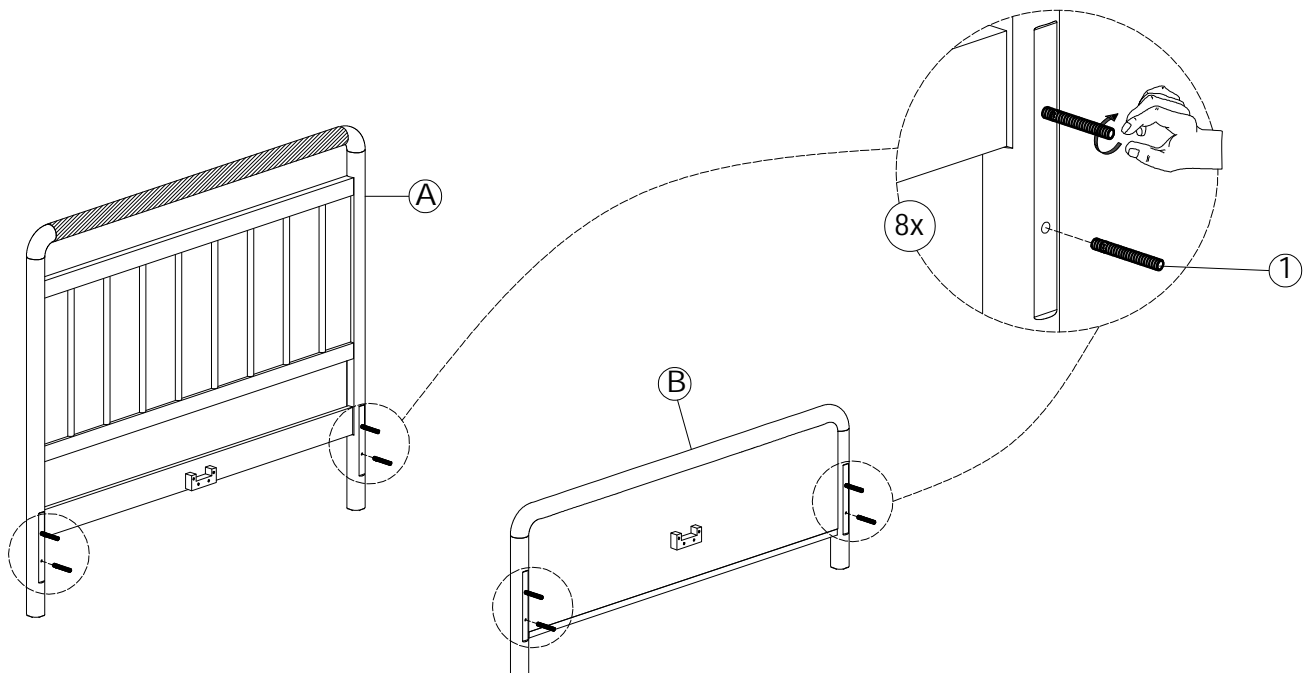


### HARDWARE KIT PACKED IN BOX #2

| No. | Description                  | Image | Quantity |
|-----|------------------------------|-------|----------|
| 1   | THREADED BOLT (8x90mm)       |       | 8 PCS    |
| 2   | HALF MOON WASHER (7x14x27mm) |       | 8 PCS    |
| 3   | HEX NUT (M8)                 |       | 8 PCS    |
| 4   | ALLEN KEY (4mm)              |       | 1 PC     |
| 5   | WOOD SCREW (4x30mm)          |       | 11 PCS   |
| 6   | WRENCH (13mm)                |       | 1 PC     |



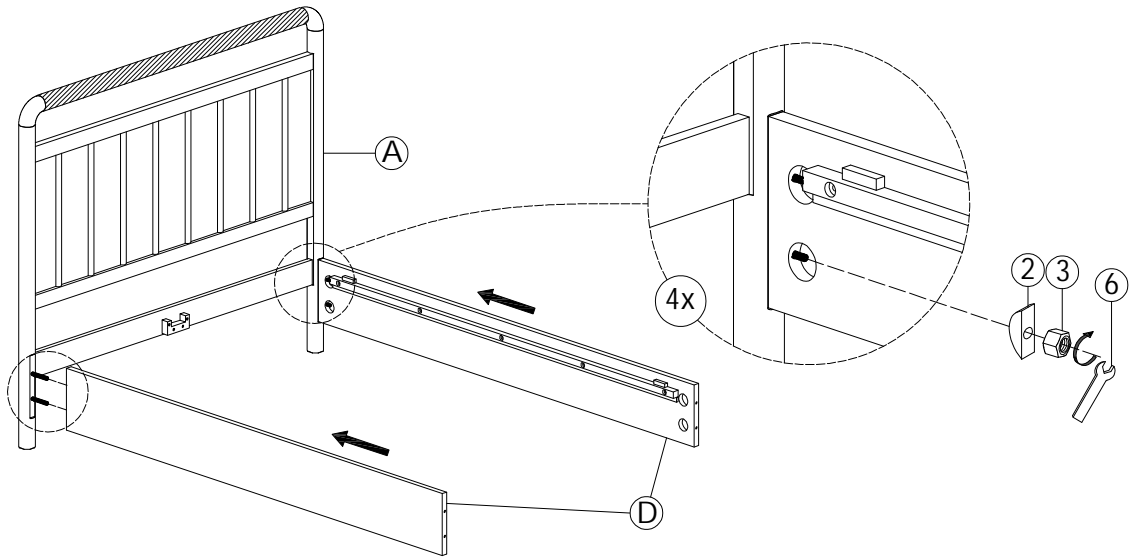
### STEP 1:



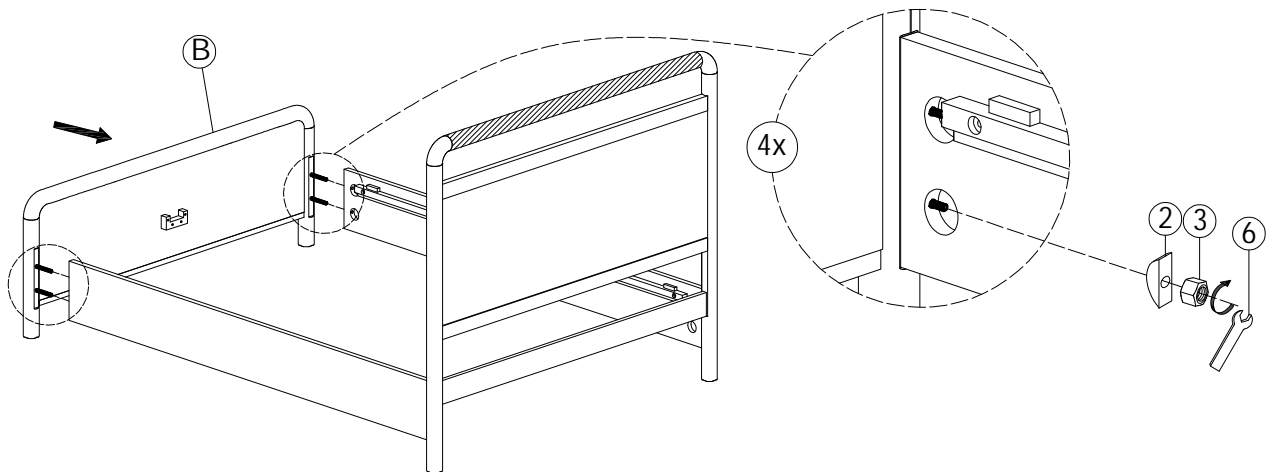
# PANEL QUEEN BED

## ASSEMBLY INSTRUCTIONS

### STEP 2:



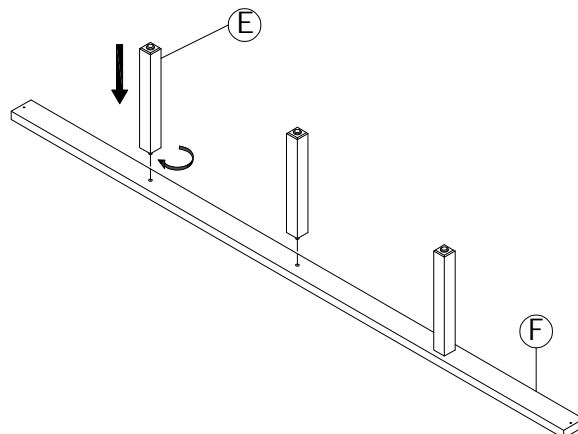
### STEP 3:



### STOP

- IF USING BED WITH AN ADJUSTABLE MATTRESS BASE, SKIP STEPS 4, 5, 6 & 7 AND REFERENCE APPENDIX A: ADJUSTABLE MATTRESS BASE ASSEMBLY SUPPLEMENT.
- IF USING BED FRAME WITH STANDARD BOX SPRING OR FOUNDATION, CONTINUE TO STEP 4

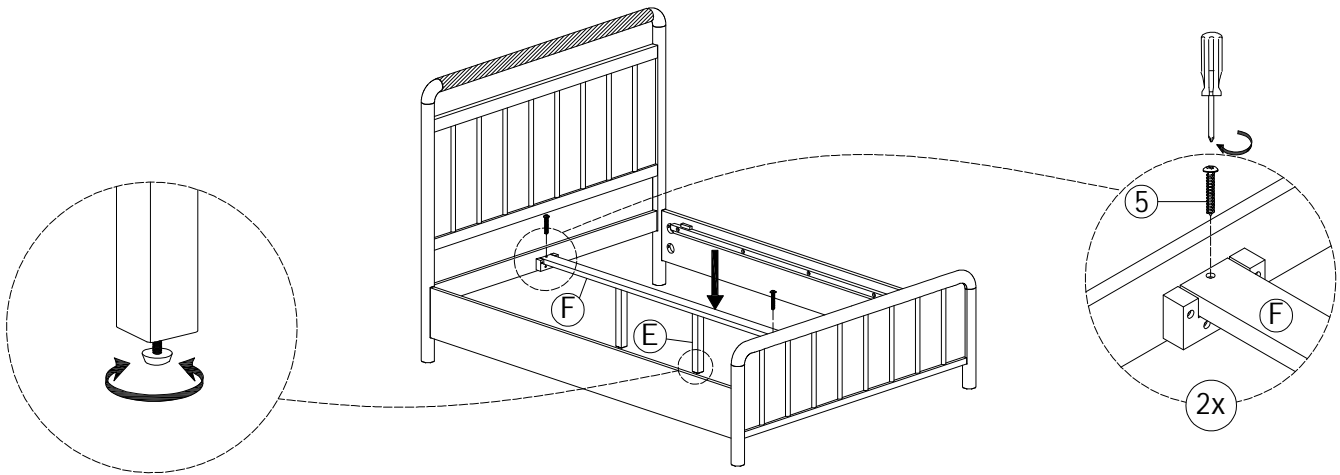
### STEP 4:



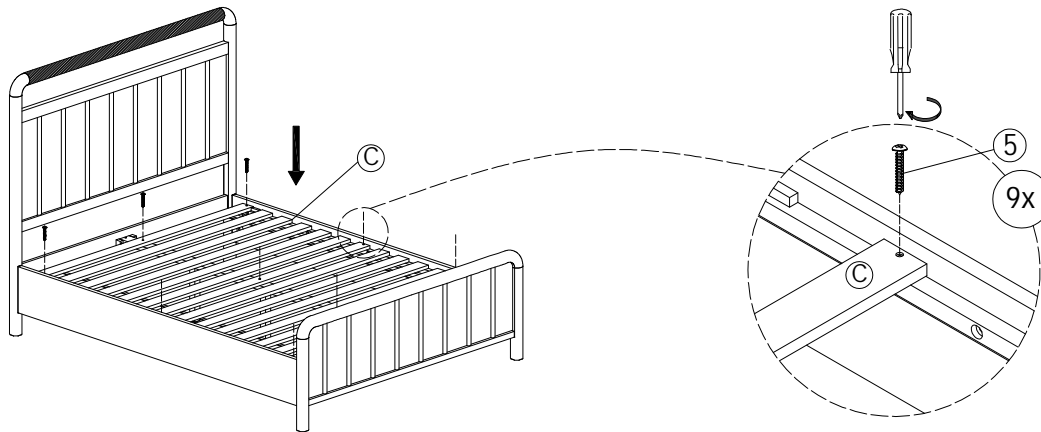
# PANEL QUEEN BED

## ASSEMBLY INSTRUCTIONS

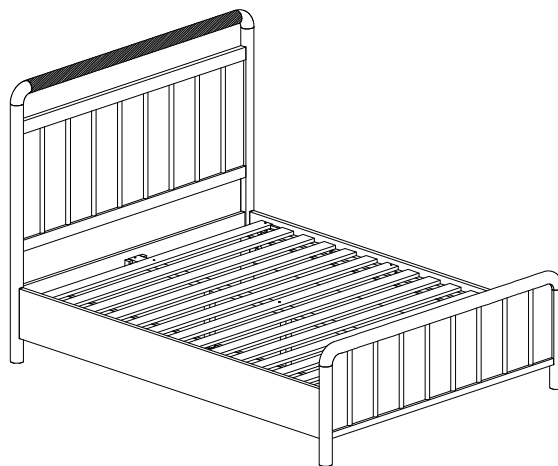
### STEP 5:



### STEP 6:



### STEP 7:



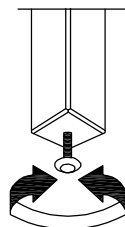
ASSEMBLY COMPLETE

#### INSTRUCTIONS FOR ADJUSTING LEVELERS:

Position the bed in your space and locate the leveler under each support leg.

Turn the leveler counter-clockwise to extend the leveler and clockwise to retract it.

Adjust each leveler until each support leg is applying equal, upward pressure on the support slat.



#### MAINTENANCE INSTRUCTIONS:

- Periodically check all fittings and tighten if necessary, as they can loosen over time.
- Always remove box spring and mattress before moving the bed.
- Lift the bed when moving it. Dragging the bed can damage the center support.
- Readjust levelers after moving the bed.

# PANEL QUEEN BED

## ASSEMBLY INSTRUCTIONS

### APPENDIX A: ADJUSTABLE MATTRESS BASE ASSEMBLY SUPPLEMENT

AN ADJUSTABLE MATTRESS BASE IS A FREESTANDING MATTRESS SUPPORT THAT SITS WITHIN THE PERIMETER OF THE BED FRAME.

IF USING THIS BED FRAME WITH A STANDARD BOX SPRING OR FOUNDATION THESE INSTRUCTIONS DO NOT APPLY.

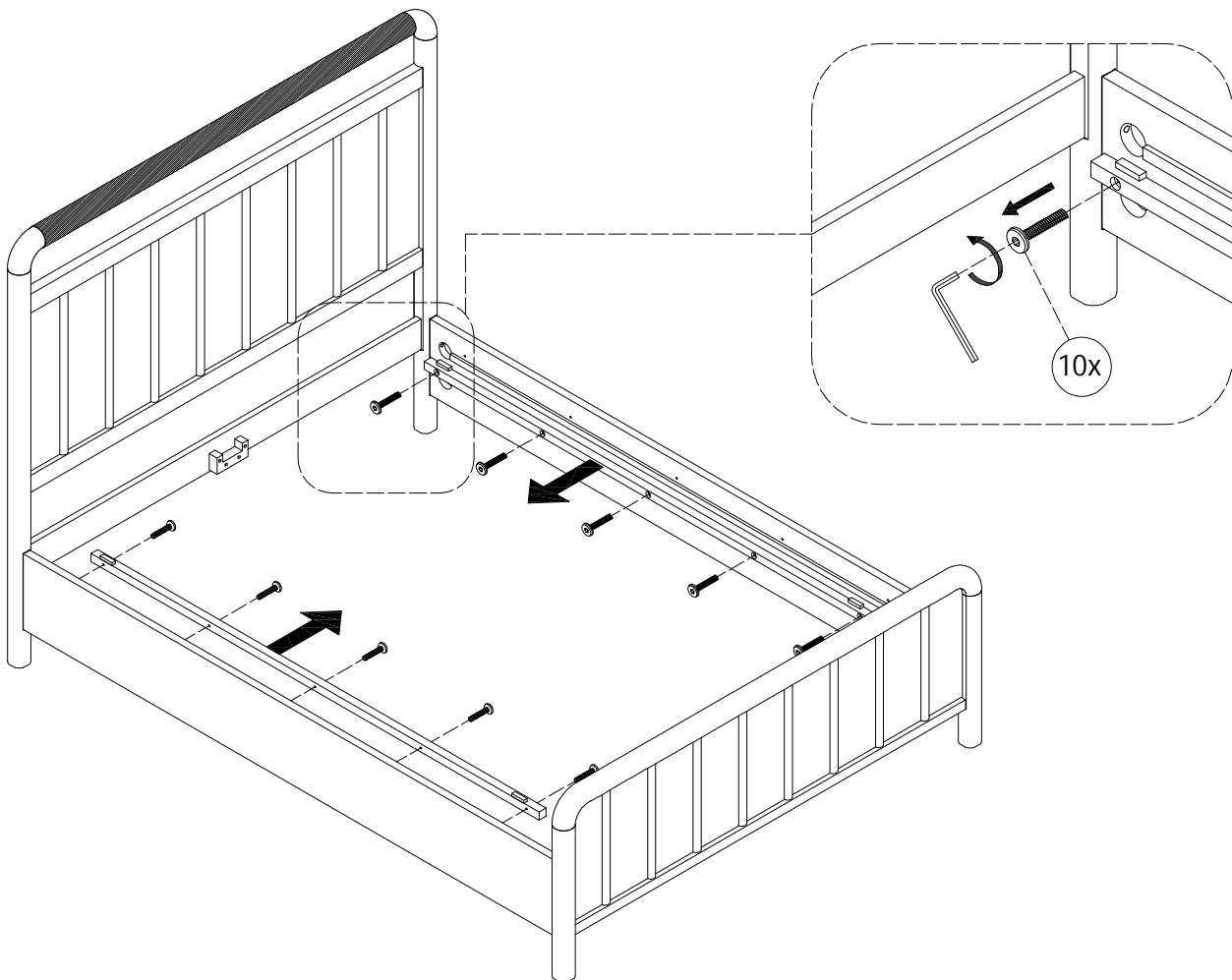
PRE-ASSEMBLED SIDE RAIL CLEATS OBSTRUCT ADJUSTABLE BASE INSTALLATION AND OPERATION. FOLLOW THESE INSTRUCTIONS TO REMOVE THEM.

THE FOLLOWING PARTS ARE NOT REQUIRED FOR ADJUSTABLE MATTRESS BASE INSTALLATION:

|                        |        |                        |         |
|------------------------|--------|------------------------|---------|
| C. SLAT ROLL           | :1 SET | 5. WOOD SCREW (4x30mm) | :11 PCS |
| E. SLAT SUPPORT LEG    | :3 PCS |                        |         |
| F. CENTER SLAT SUPPORT | :1 PC  |                        |         |

#### STEP 1:

USE ALLEN KEY (4) IN BOX #2 TO UNSCREW ALLEN BOLTS AND REMOVE PRE-ASSEMBLED SIDE RAIL CLEATS.



NOTE: YOU MAY WISH TO RETAIN UNUSED PARTS IF IN THE FUTURE YOU INTEND TO USE THE BED FRAME WITH A STANDARD BOX SPRING OR FOUNDATION.