

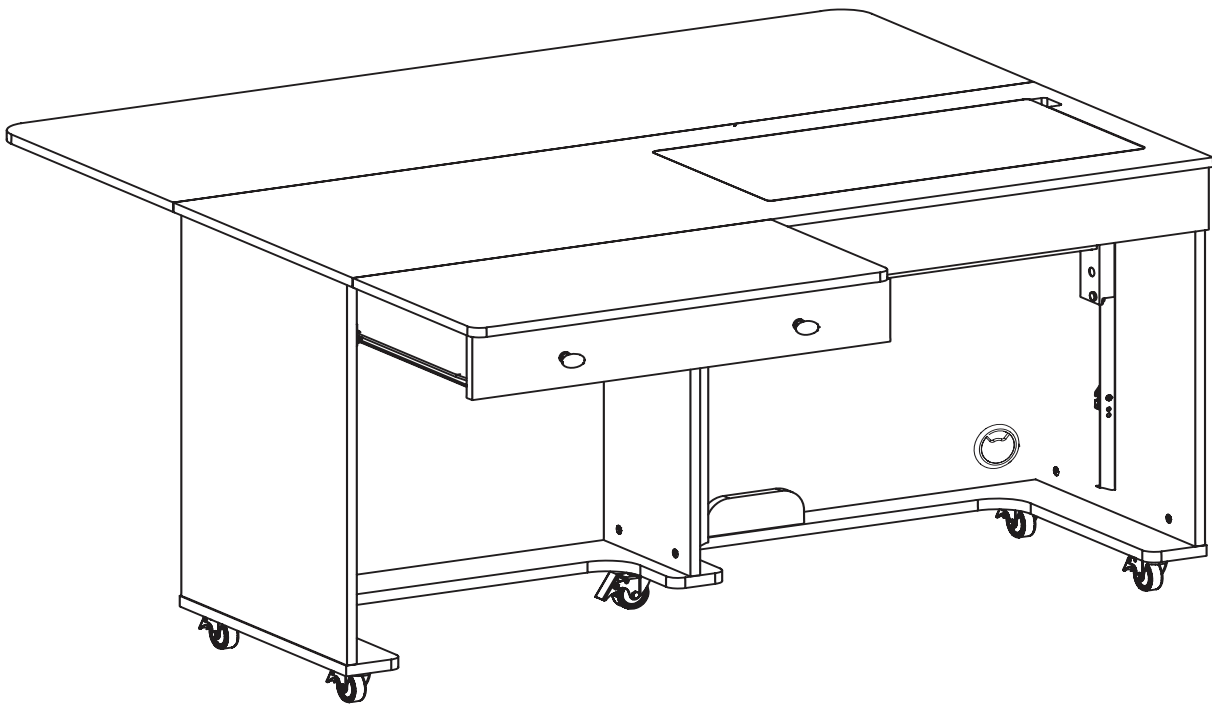


**KANGAROO**<sup>™</sup>  
sewing furniture

## ASSEMBLY INSTRUCTIONS

# Kangaroo II

**ITEM NO.:** K8805 Teak  
K8811 White



Read the instructions carefully before starting. Please open and inspect the contents of boxes to see that all parts are included. You will need a Phillips head and a flat head screwdriver. A power screwdriver or cordless drill is preferable. Ensure that the Phillips head fits neatly and fully engages the screw to avoid damage to the screws. Make sure that you tighten all screws securely and tap wooden dowels all the way in.

### Use and Care

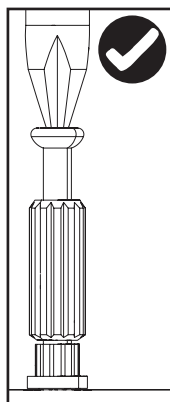
Your cabinet normally requires a minimum amount of maintenance; however, the following points are worth noting:

**Cleaning** - To remove marks and enhance the surface, wipe with general purpose cleaner.

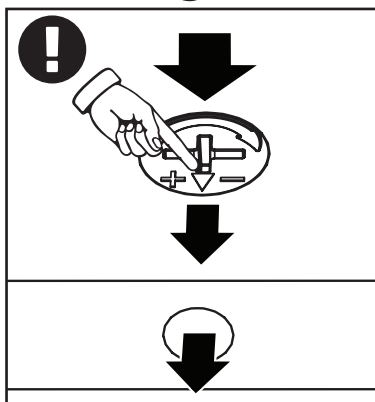
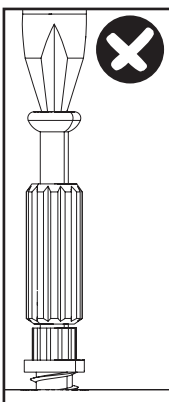
**Caution** - Do not use ammonia-based cleaning agents. Do not use harsh chemicals or abrasive cleansers. The surface can be wiped with a damp cloth but should be dried quickly.

**Electrical and Hydraulic Lifts** - Require annual lubrication.

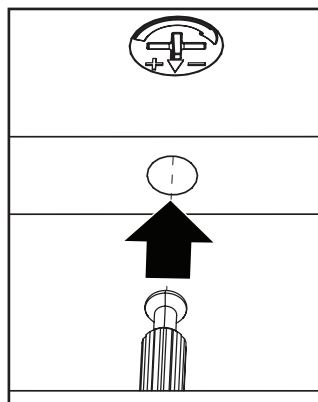
## Understanding How the Cam Fastener Works



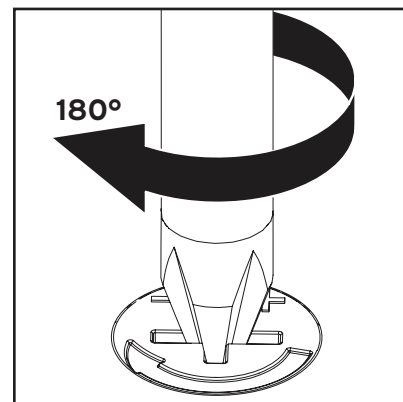
Screw cam bolts flush as illustrated.



Press cam into hole until flush with surface. The arrow direction must be in the direction of the hole!



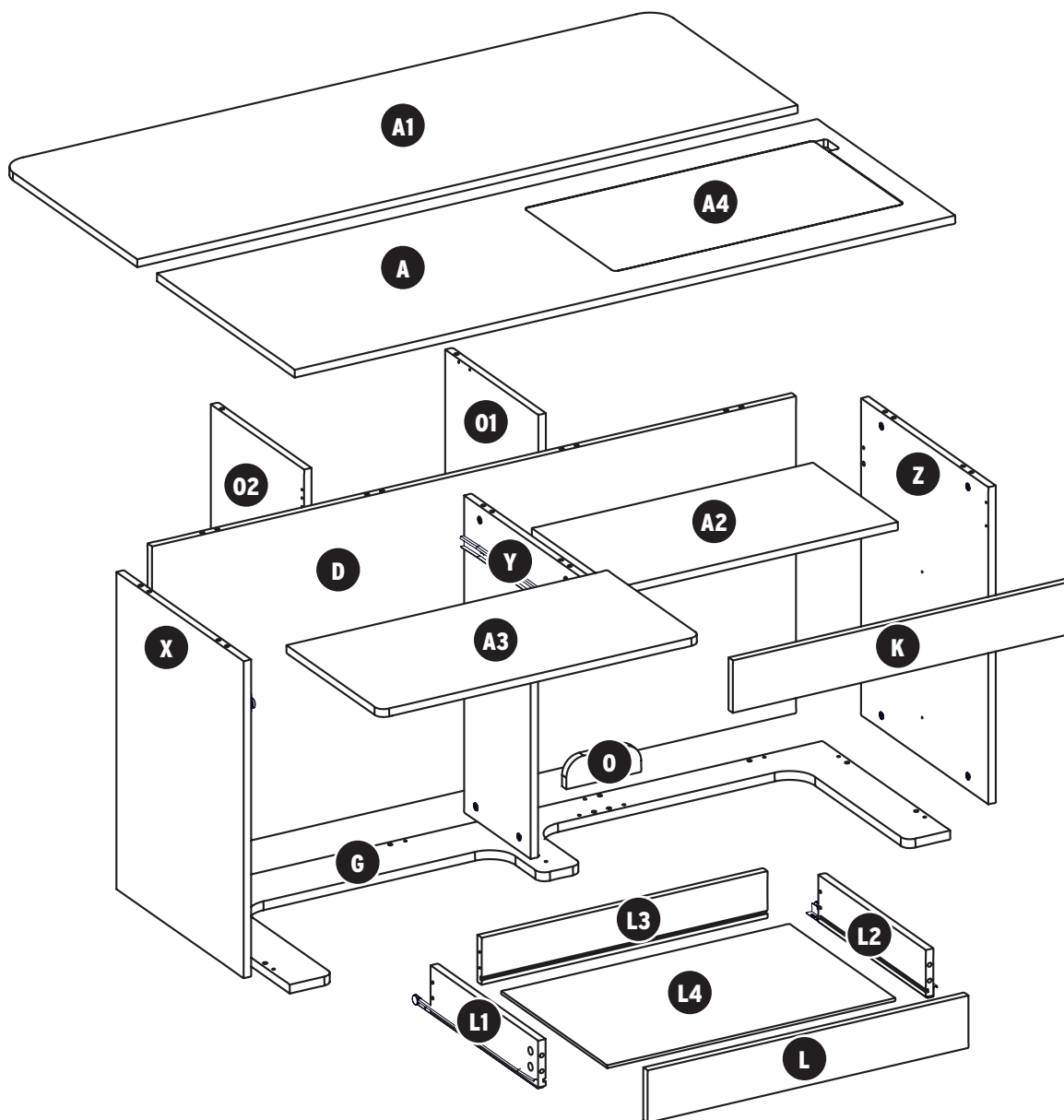
Insert bolt through pre-drilled hole in edge of panel.



Turn clockwise to lock cam with bolt.

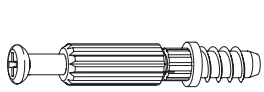
# Parts List

ITEM	DESCRIPTION	QTY.	PACK.	ITEM	DESCRIPTION	QTY.	PACK.
<b>A</b>	Top Panel	1	1 of 3	<b>X</b>	Left side panel	1	3 of 3
<b>A4</b>	Platform Cover	1	1 of 3	<b>Z</b>	Right side panel	1	3 of 3
<b>G</b>	Bottom panel	1	1 of 3	<b>Y</b>	Partition	1	3 of 3
<b>L</b>	Drawer Front	1	1 of 3	<b>O</b>	Insert Holder	1	3 of 3
<b>K</b>	Front Cover	1	1 of 3	<b>O1</b>	Right Gate Leg	1	3 of 3
<b>A1</b>	Quilt Extension Panel	1	2 of 3	<b>O2</b>	Left Gate Leg	1	3 of 3
<b>A2</b>	Platform	1	2 of 3	<b>L1</b>	Left Drawer Side	1	3 of 3
<b>A3</b>	Support Panel	1	2 of 3	<b>L2</b>	Right Drawer Side	1	3 of 3
<b>D</b>	Back panel	1	2 of 3	<b>L3</b>	Drawer Back	1	3 of 3
				<b>L4</b>	Drawer Bottom	1	3 of 3
					Lift & Rails	1	4 of 4



# Parts List

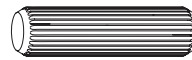
ITEM	DESCRIPTION	QTY.	ITEM	DESCRIPTION	QTY.
c1	6x35 Cam Bolt	30	s1	3.5x14 Screw	64
t1	Caster	2	h1	Knob	2
d1	8x30 Dowel Pin	26	b1	8x16 Fix Bolt	20
c2	5/8" Cam Cover	30	h2	Hinge	8
t2	Caster	5	s2	3x14 Screw	12
a	Wrench	1	b3	Ball Catch	2
r3	14mm Spanner	1	m	Magnet	2
s4	Alignment Pin	2	p1	Metal Support Pin	2
s3	3.5x35 Screw	4	p2	Metal Dowel Pin	2
			b2	4x20 Fix Bolt	2



**c1** 6x35 Cam Bolt **x30**



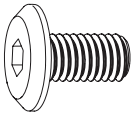
**c2** 5/8" Cam Cover **x30**



**d1** 8x30 Dowel Pin **x26**



**s4** Alignment Pin **x2**



**b1** 8x16 Fix Bolt **x20**



**b2** 4x20 Fix Bolt **x2**



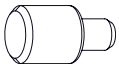
**s1** 3.5x14 Screw **x65**



**s2** 3x14 Screw **x12**



**s3** 3.5x35 Screw **x4**



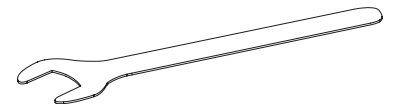
**p1** Metal Support Pin **x2**



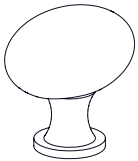
**p2** Metal Dowel Pin **x2**



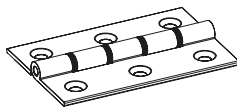
**a** Wrench **x1**



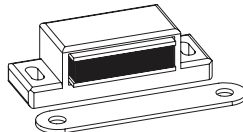
**r3** 14mm Spanner **x1**



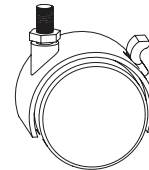
**h1** Knob **x2**



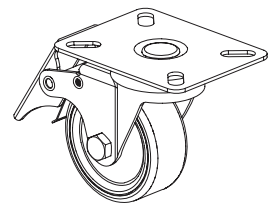
**h2** Hinge **x8**



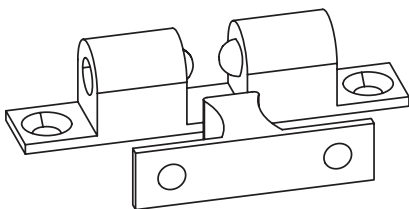
**m** Magnet **x2**



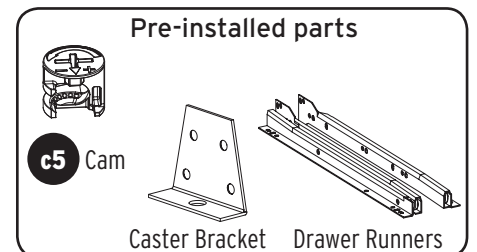
**t1** Caster **x2**


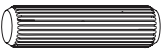

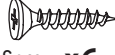
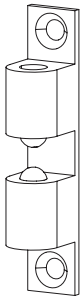


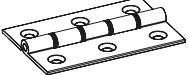
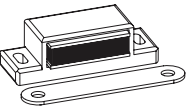
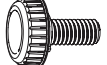
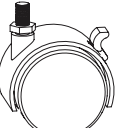



**t2** Caster **x5**



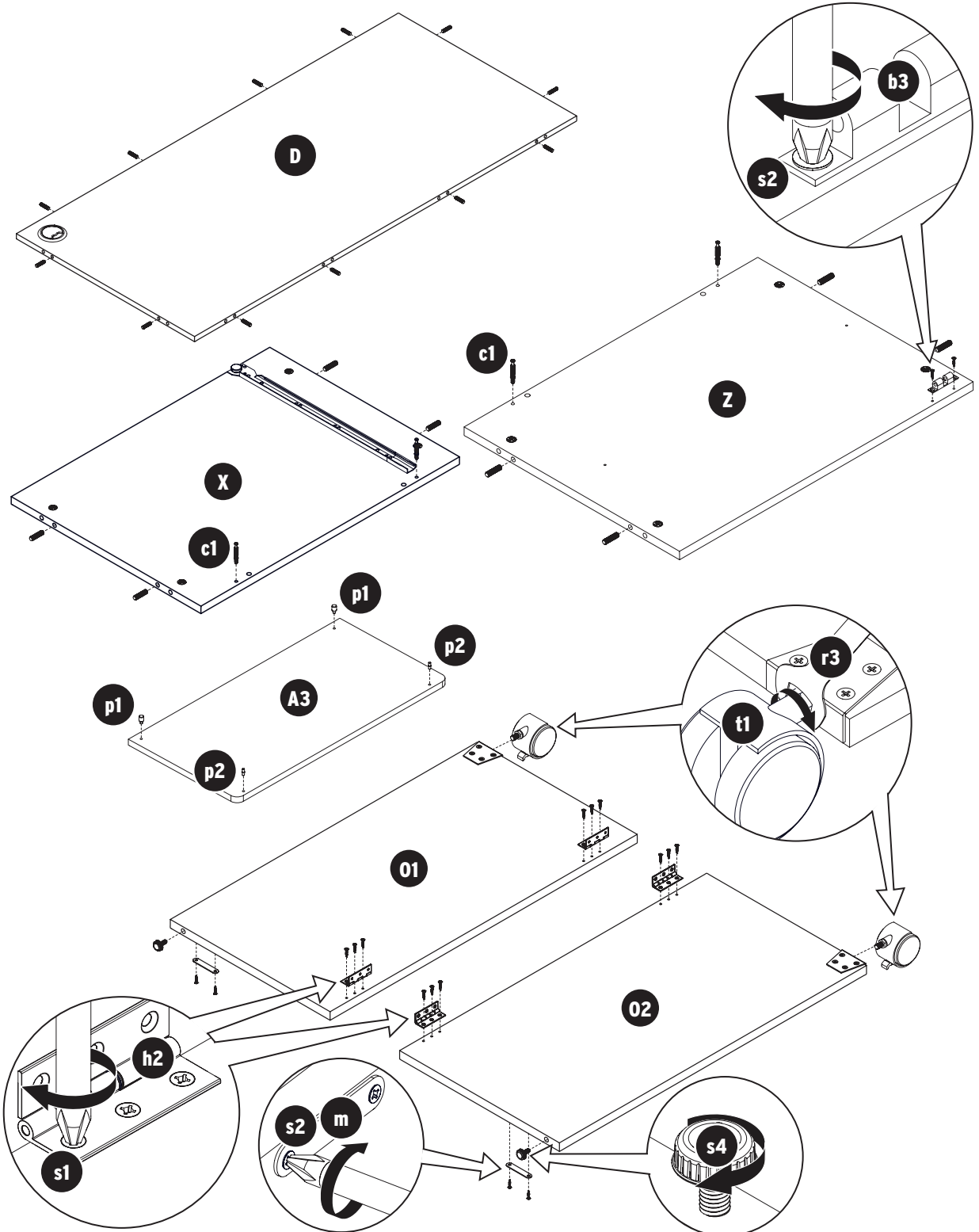
**b3** Ball Catch **x2**

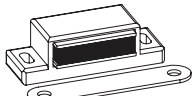
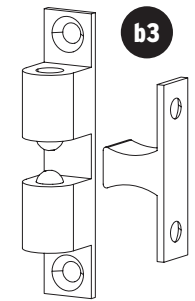
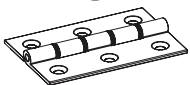
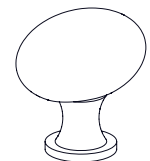
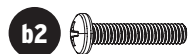


- c1**  
  
6x35 Cam Bolt **x4**
- d1**  
  
8x30 Dowel Pin **x20**
- s1**  
  
3.5x14 Screw **x12**
- s2**  
  
3x14 Screw **x6**
- b3**  
  
Ball Catch **x1**
- p1**  
  
Metal Support Pin **x2**
- p2**  
  
Metal Dowel Pin **x2**
- h2**  
  
Hinge **x4**
- m**  
  
Magnet Catch Plate **x2**
- s4**  
  
Alignment Pin **x2**
- t2**  
  
Caster **x2**
- r3**  
  
14mm Spanner **x1**

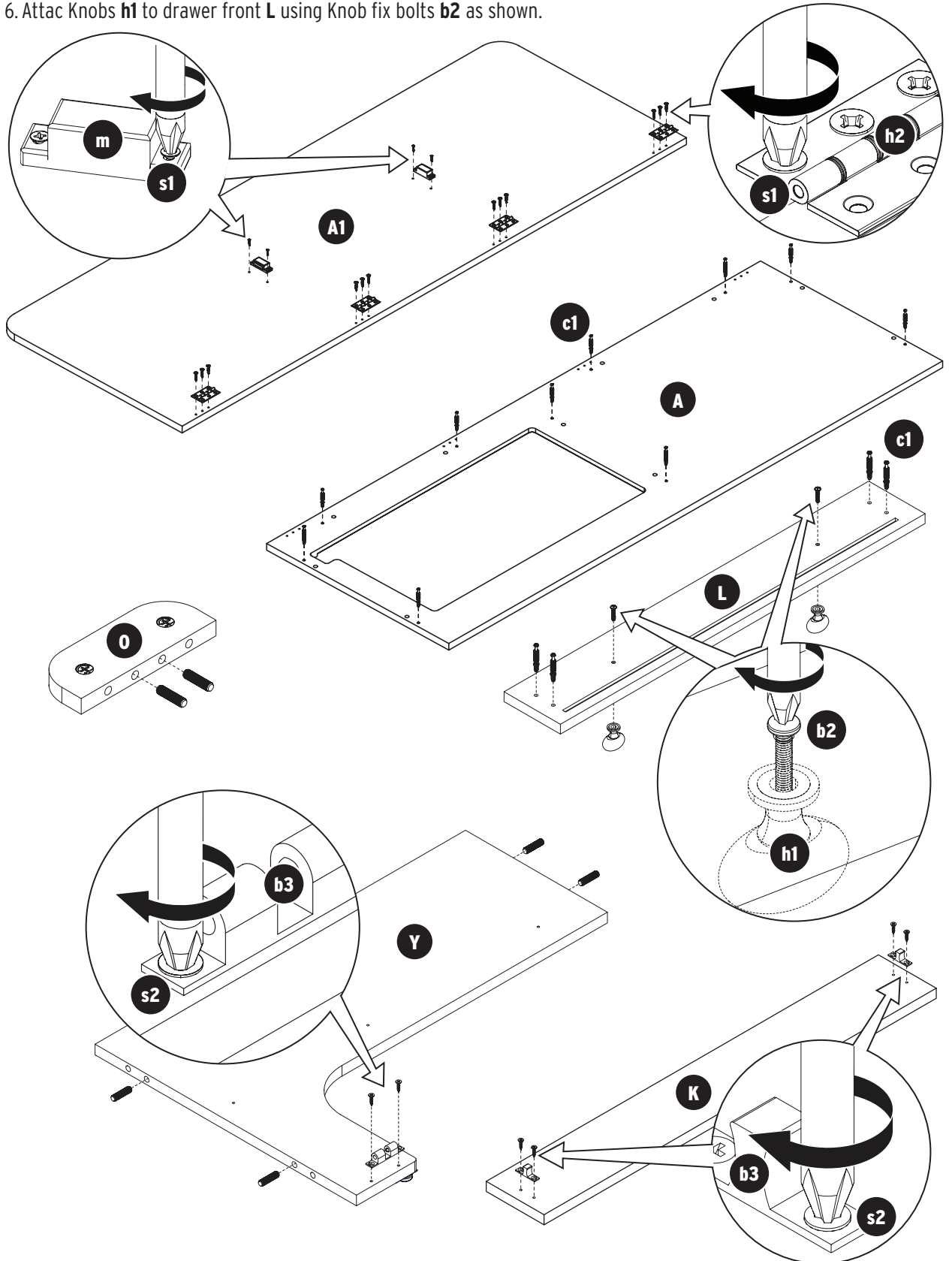
**Step 1. Preparation Panels D, Z, X, O1, O2 and A3 assembly.**

1. Insert cams bolts **c1** into panels **X** and **Z** as illustrated below.
2. Insert dowel pins **d1** to panels **X** (4 total), **Z** (4 total) and **D** (12 total) as illustrated below.
3. Using 2 **s2** screws, attach ball catch **b3** to front edge of panel **Z** as shown below.
4. Attach Butt Hinges **h2** using screws **s1** to panels **O1** and **O2**, Screw caster **t1** into preinstalled brackets on panels **O1** and **O2**.
5. Using 4 **s2** screws, attach the magnet catch plate **m** to the panels **O1** and **O2**.
6. Screw alignment pins **s4** into hole on top of panel **O1** and **O2**.
7. Press **p1** metal dowel pin into panel **A3** at square corners and **p2** metal support pin into round corners. Set **A3** aside until cabinet is assembled.



**c1**6x35 Cam Bolt **x14****d1**8x30 Dowel Pin **x6**3.5x14 Screw **x16**3x14 Screw **x6****m** Magnet **x2**Ball Catch **x2****h2**Hinge **x4****h1** Knob **x2****b2** 4x20 Fix Bolt **x2****Step 2. Preparation Panels A, A1, L, K, Y and O assembly.**

1. Insert cams bolts **c1** into panels **A** and **L** as illustrated below.
2. Insert dowel pins **d1** to panels **Y** and **O** as illustrated below.
3. Fix Hinge **h2** butt hinges to panel **A1** using screws **s1** as shown.
4. Attach **m** magnets to panel **A1** using **s1** screws as shown. Magnet faces outer edges.
5. Attach ball catch **b3** to panel **Y** using screws **s2** as illustrated. Attach other part of the ball catcher **b3** to panel **K** using screws **s2**.
6. Attach Knobs **h1** to drawer front **L** using Knob fix bolts **b2** as shown.

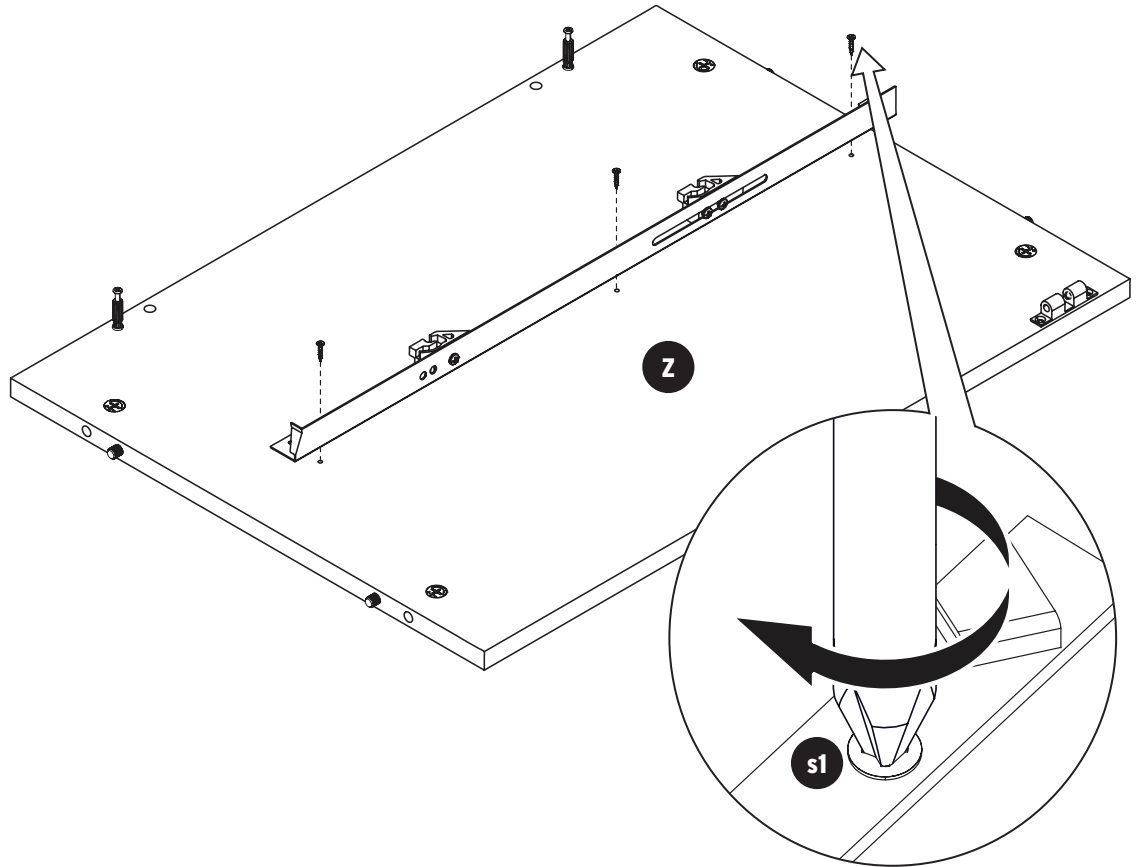


### Step 3.

1. Fix Lifter Rail (right) to Z panel with s1 screws following predrilled holes as shown on the illustration below.

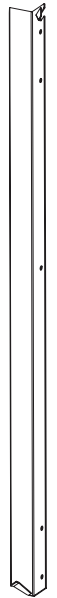


Lifter Rail (Right) x1

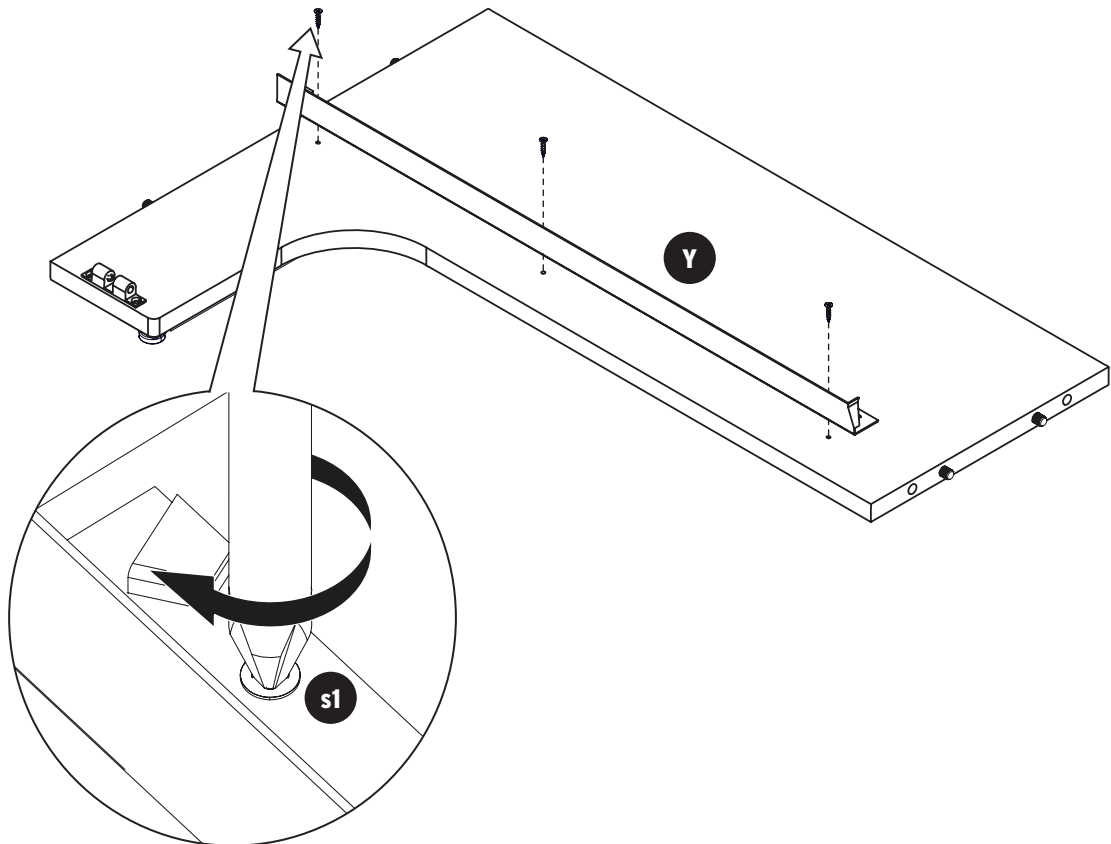


### Step 4.

1. Fix Lifter Rail (Left) to Y panel with s1 screws following predrilled holes as shown on the illustration below.



Lifter Rail (Left) x1



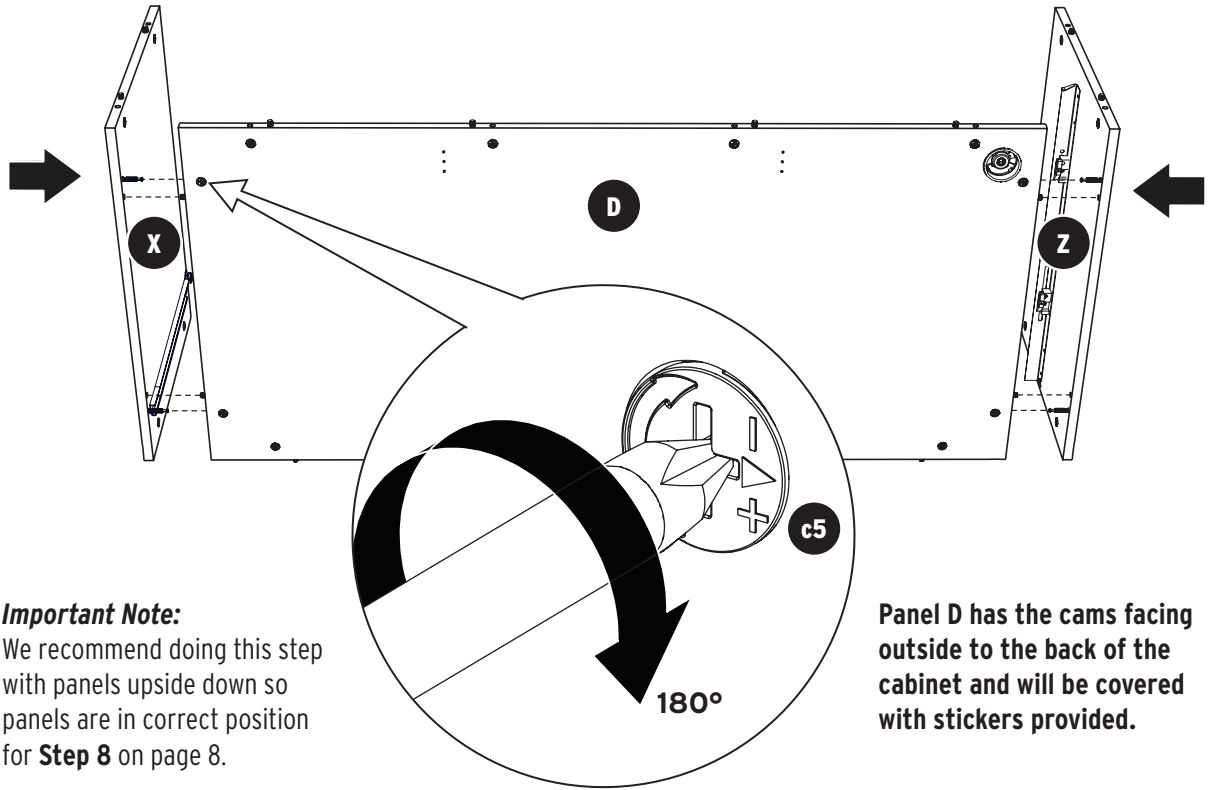
**c2**



5/8" Cam Cover **x4**

**Step 5. Panel X, D and Z assembly.**

1. Insert cam bolts **c1** on panel **X** and **Z** into cams on panels **D** and tighten in a clockwise direction as illustrated below. (Cam holes on **D** panel need to face back).

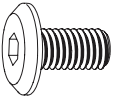


**Important Note:**

We recommend doing this step with panels upside down so panels are in correct position for **Step 8** on page 8.

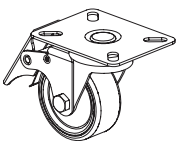
Panel **D** has the cams facing outside to the back of the cabinet and will be covered with stickers provided.

**b1**



8x16 Fix Bolt **x20**

**t2**



Caster **x5**

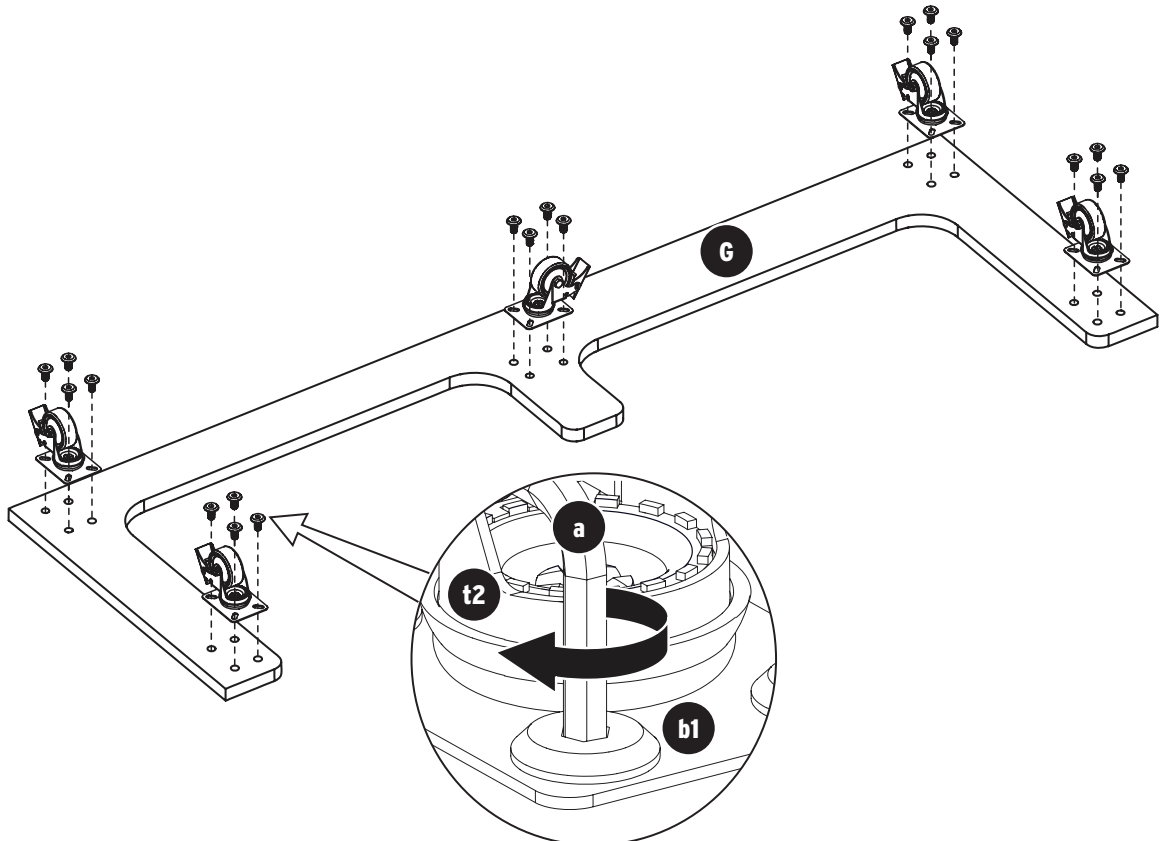
**a**



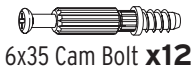
Wrench **x1**

**Step 6. Bottom Panel G assembly (underside)**

1. Attach plate casters **t2** to underside of **G** using 8x20 caster fix bolts **b1** and tighten with wrench **a**.



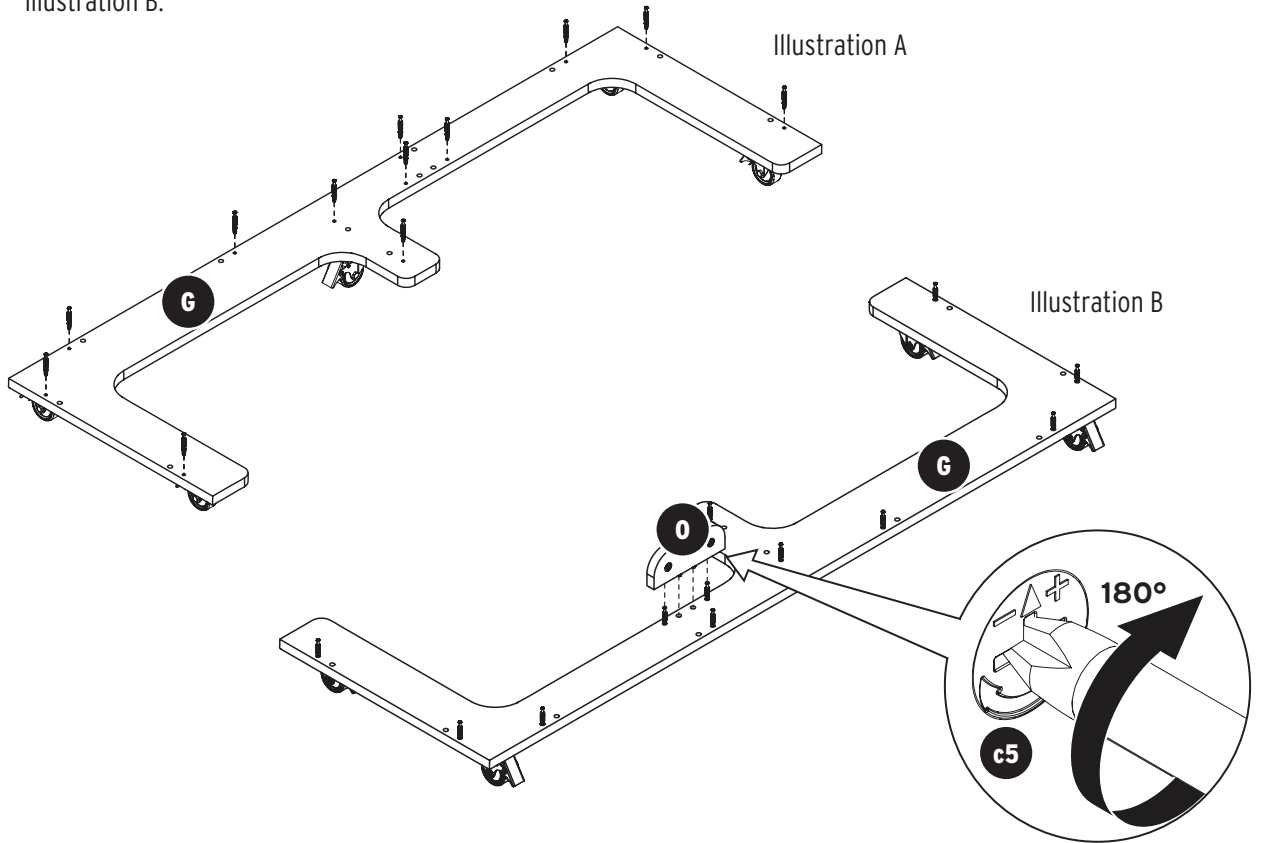
**c1**



6x35 Cam Bolt **x12**

**Step 7. Panel G assembly.**

1. Insert **c1** cam bolts into bottom panel as shown below in illustration A.
2. Insert cam bolts **c1** found on panel **G** into cams on insert holder **O** and tighten in clockwise direction as shown in illustration B.



**Step 8. Panel G assembly.**

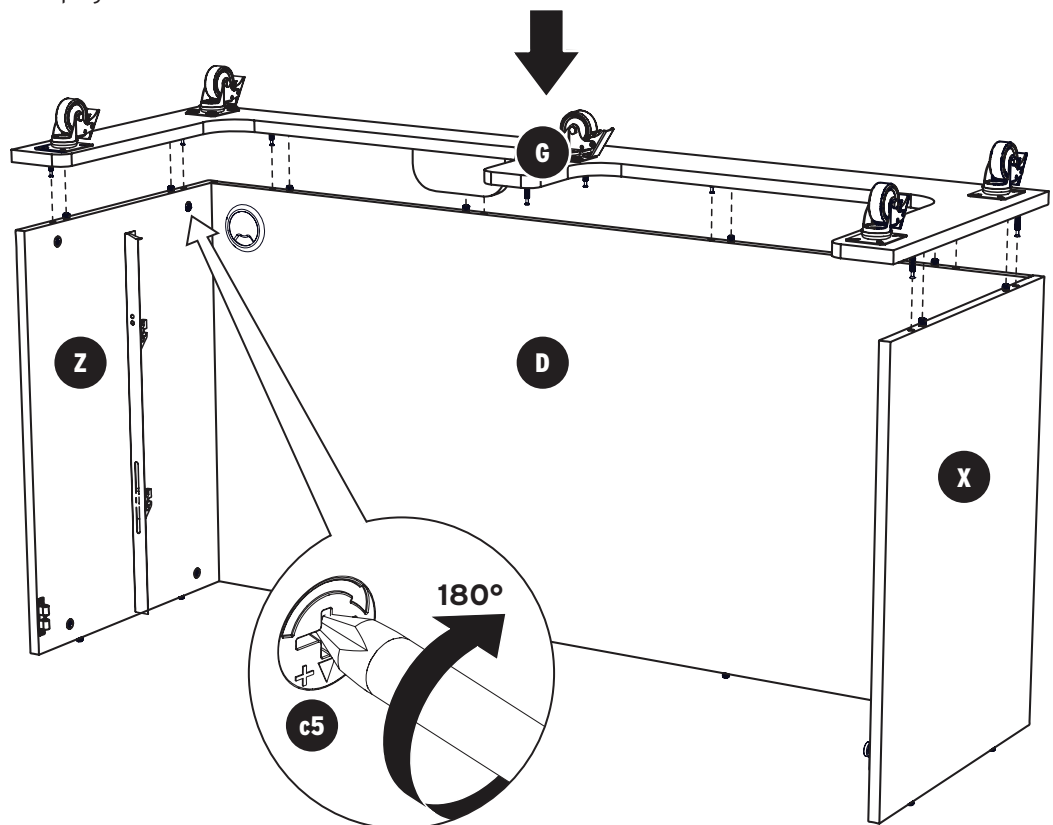
Two people should lift and lower the **G** onto **X-D-Z**.

1. Insert cam bolts **c1** on panel **G** into cams on panels **X,Z** and **D** and tighten in a clockwise direction as illustrated below.
2. Flip cabinet upright onto its casters.

**c2**



5/8" Cam Cover **x8**



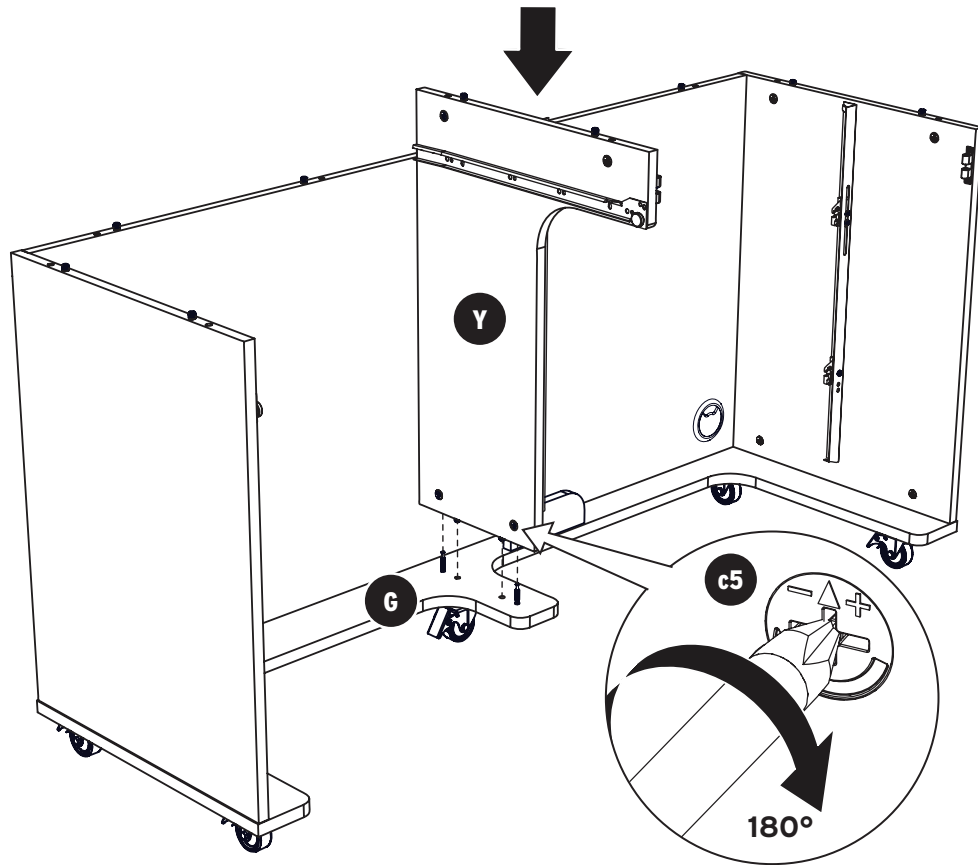
c2



5/8" Cam Cover x2

### Step 9. Panel Y assembly.

1. Insert cam bolts c1 on panel G into cams on panels Y and tighten in a clockwise direction as illustrated below.



s1



3.5x14 Screw x4

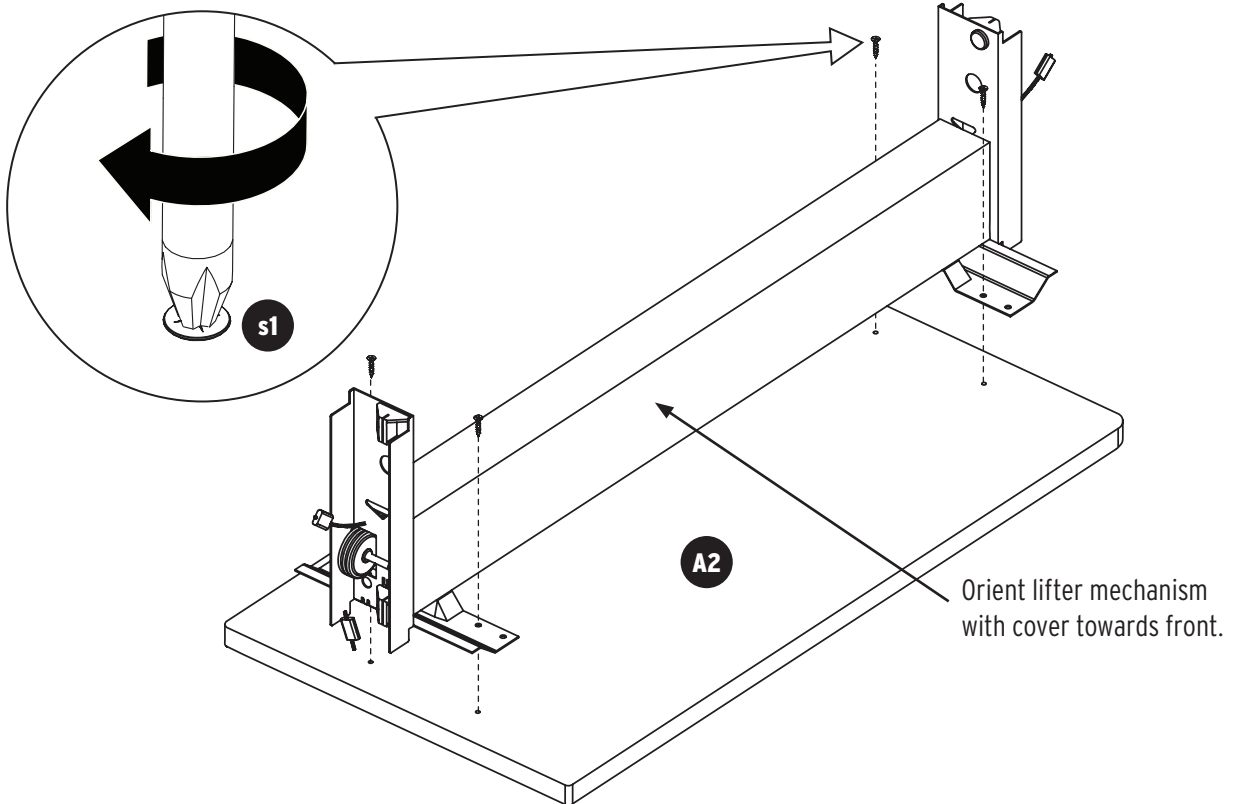
### Step 10. Lifter Panel assembly.

1. Fix Lifter to A2 panel with s1 screws following predrilled holes as shown on the illustration below.

**Note:** Remove cable ties. Do not remove wood block.



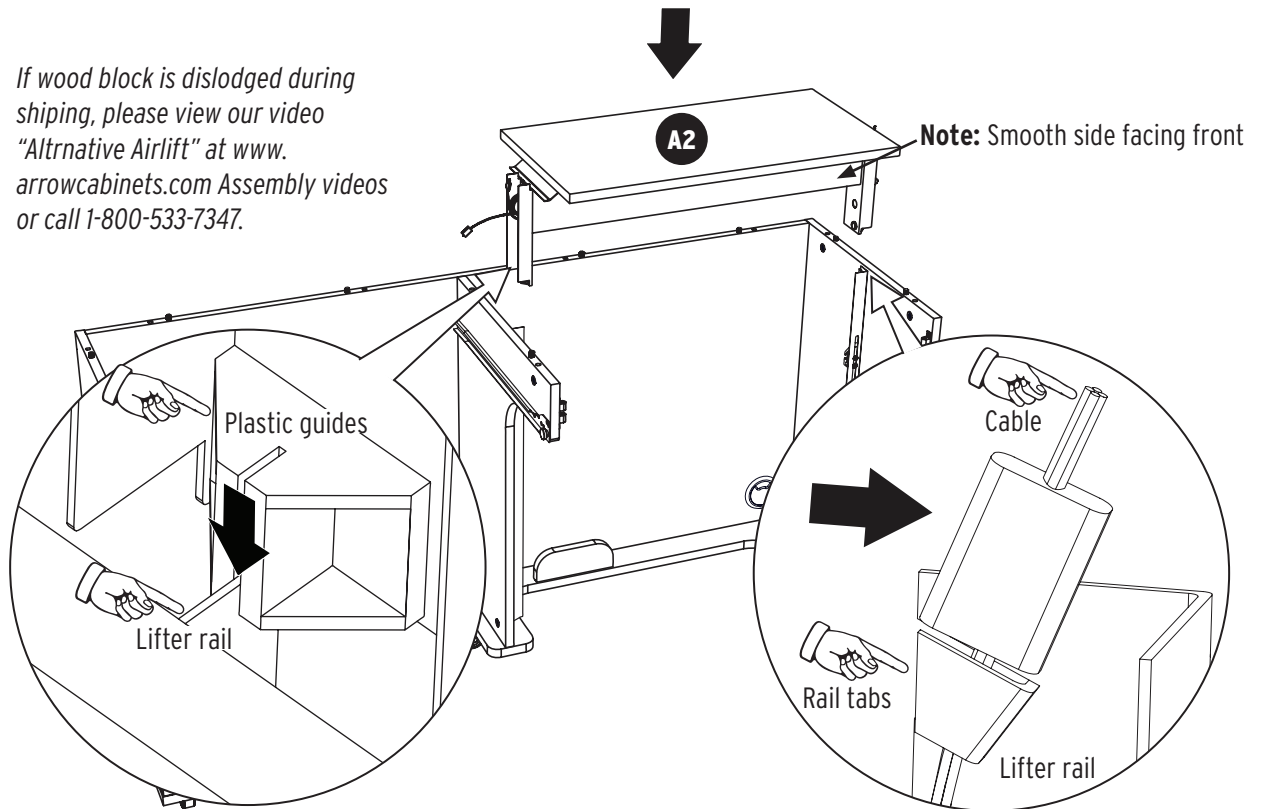
Lifter x1



### Step 11. Mounting the Lifter Assembly.

1. Position lifter onto side rails using plastic guides. Make sure to catch end of cable into rail tabs on both sides as shown below.
2. When lifter is pushed down to first lock position, remove the small wooden block that will be released from the lifter.

*If wood block is dislodged during shipping, please view our video "Alternative Airlift" at [www.arrowcabinets.com](http://www.arrowcabinets.com) Assembly videos or call 1-800-533-7347.*



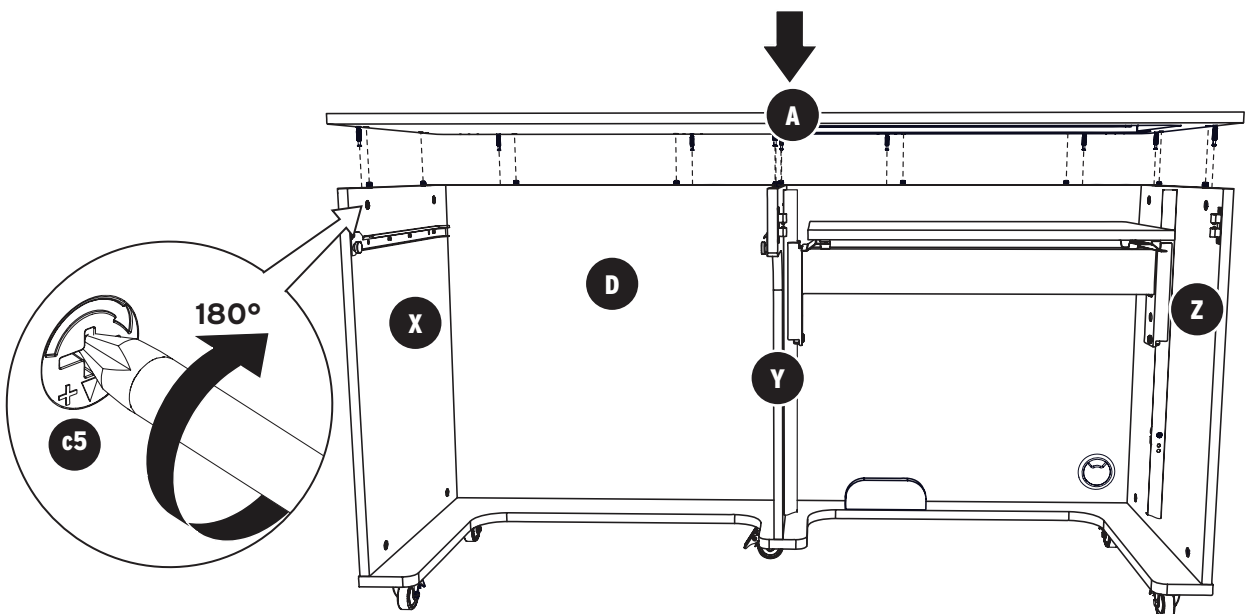
### Step 12. Panel A assembly.

1. Insert cam bolts **c1** on panel **A** into cams on panels **X**, **Z**, **D**, and **Y** and tighten in a clockwise direction as illustrated below.

**c2**



5/8" Cam Cover **x10**

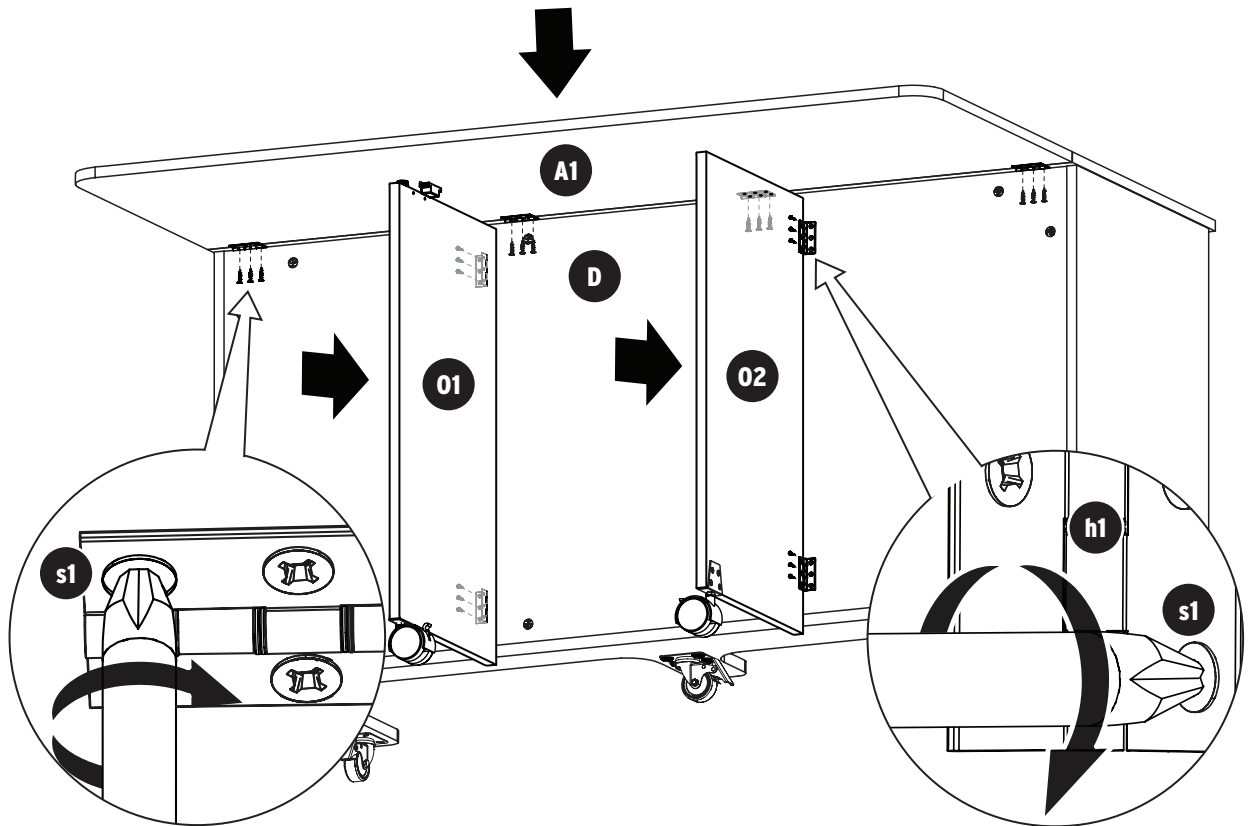




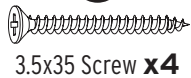
3.5x14 Screw **x24**

### Step 13. Panel A1, O1 and O2 assembly.

1. With panel **O1** and **O2** held against panel **D**, attach hinges **h1** to **D** using screws **s1**.
2. With panel **A1** balanced on gate legs **O1** and **O2** held in place, install hinges **h1** to top of panel **A** using screws **s1** as illustrated below.



**s3**



3.5x35 Screw **x4**

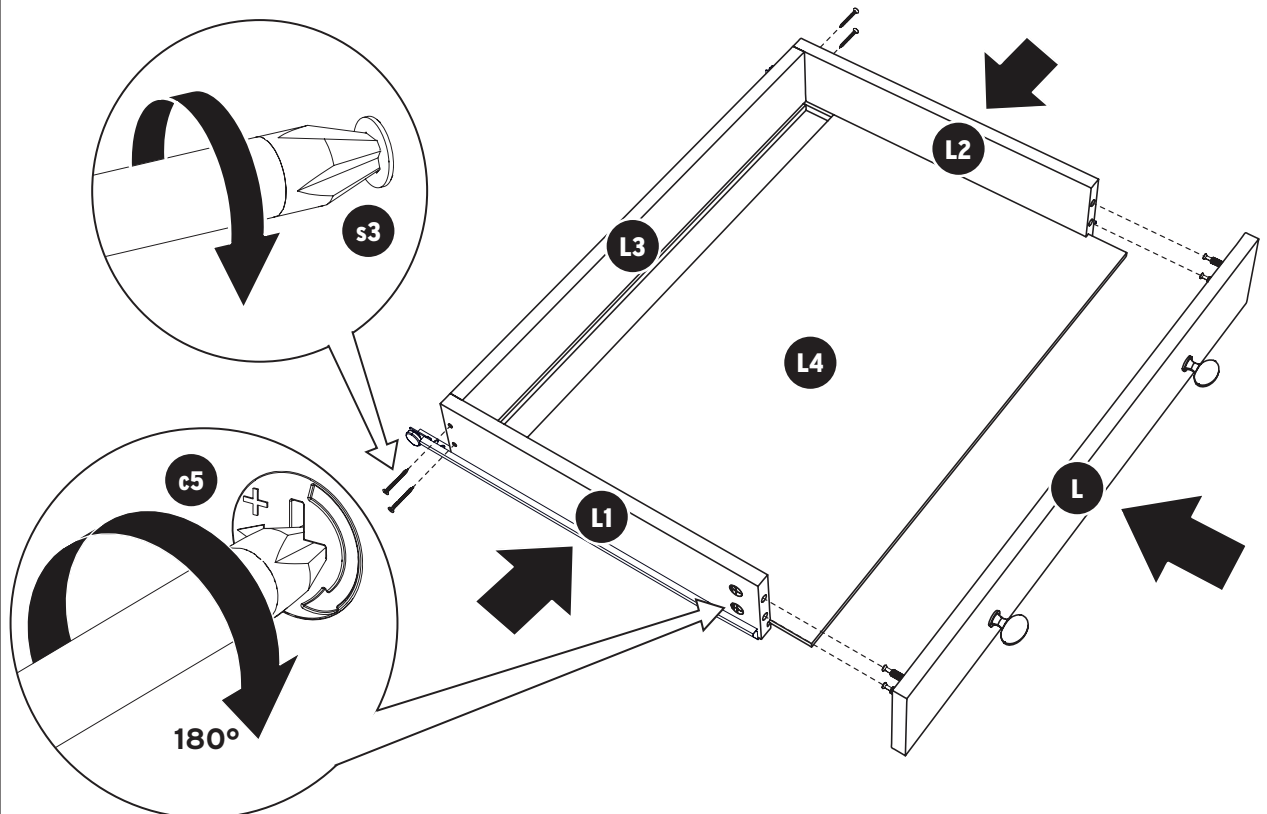
**c2**



5/8" Cam Cover **x4**

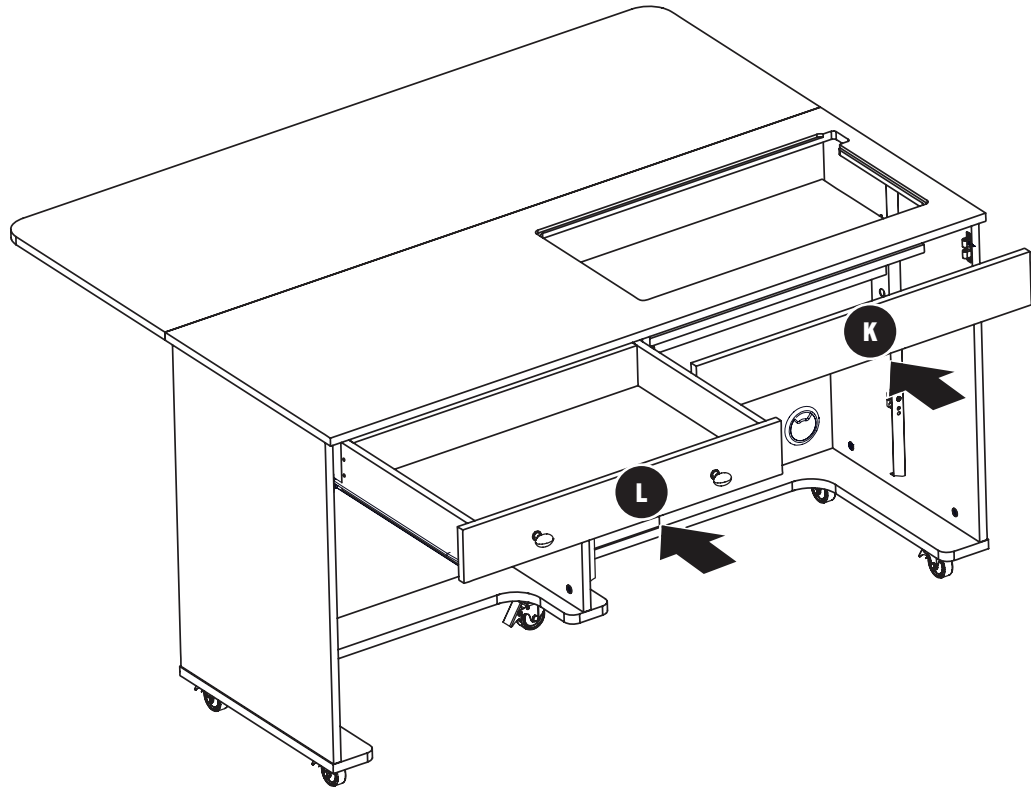
### Step 14. Drawer assembly.

1. Connect drawer panels **L1**, **L2** and **L3** with screws **s3** as illustrated below.
2. Slide bottom **L4** into **L1**, **L2** and **L3** grooves as illustrated.
3. Insert cam bolts **c1** on panel **L** into cams on panels **L1** and **L2** and tighten in a clockwise direction as illustrated below.



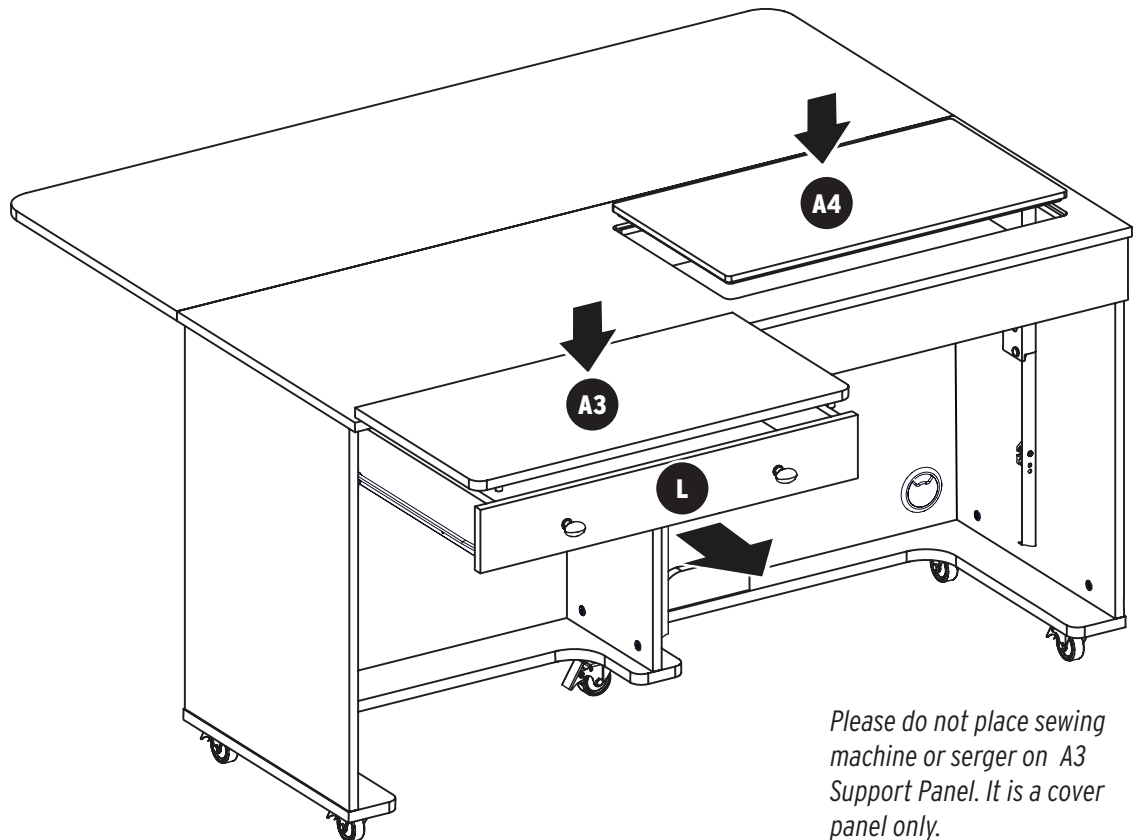
### Step 15. Drawer Unit and Front K

1. Slide assembled drawer unit into cabinet drawer runners.
2. Place panel **K** in front of lifter lining up the ball catcher prong and receiver, then press together. This panel can be removed as needed for access to sewing machine bobbin or when using a knee lever.

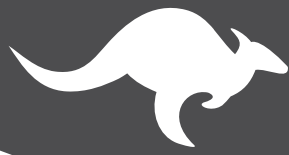


### Step 16. Support Leaf Panel A3 Platform Cover A4.

1. Fully extend and lock drawer **L**. Place **A3** panel on top of drawer as shown.
2. **A4** panel fits cabinet opening cover hole.



*Please do not place sewing machine or serger on A3 Support Panel. It is a cover panel only.*



**KANGAROO**<sup>™</sup>  
sewing furniture

## LIMITED LIFETIME WARRANTY

### Kangaroo<sup>™</sup> Sewing Furniture Limited Lifetime Warranty

**WHAT THIS WARRANTY COVERS:** Arrow Companies, LLC (Arrow) provides limited warranty coverage to the original purchaser of this product against defects in materials or workmanship of Arrow furniture components for a period of ten years from the date of purchase. As used in this Warranty, "defect" means imperfections in components which substantially impair the utility of the product. This Warranty gives you specific legal rights, and you may also have other rights which vary from state to state.

**HOW TO GET SERVICE:** Simply contact Arrow at 1-800-533-7347 or CS@ArrowCabinets.com. When you request warranty service, you must also present proof of purchase documentation, which includes the date of purchase (detailed receipt), and photos of the product. Arrow will replace any defective part (at its sole option), excluding labor. Replacement parts will be warranted for only the remaining period of the original Warranty.

Replacement parts will be shipped freight prepaid on any initial warranty claim during first year of Warranty only. Warranty applies only to defects confirmed by Arrow Companies, LLC and will be replaced or repaired at Arrow's option. In the event parts are no longer available for a warranty claim, customer may receive brand new cabinet at a price equal to 60% off the MSRP of a current comparable model.

**WHAT'S NOT COVERED:** There is no warranty coverage for defects or conditions that result from the failure to follow product assembly instructions, information or warnings, misuse or abuse, intentional damage, fire, flood, alteration or modification of the product, or use of the product in a manner inconsistent with its intended use, nor any condition resulting from incorrect or inadequate maintenance, cleaning, or care, or neglect, cuts or scratches. Caster damage as a result of moving furniture fully loaded or with locked casters. Damage resulting from electrical surge or lightning. Use in commercial or education environments. Kangaroo Sewing Furniture is designed for residential use only.

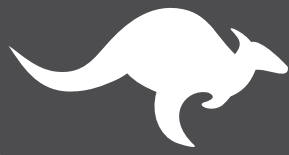
ARROW SHALL HAVE NO LIABILITY for ANY INCIDENTAL OR CONSEQUENTIAL DAMAGES OF ANY KIND and all such damages are EXCLUDED FROM THIS WARRANTY, such as loss of use, disassembly, transportation, labor or damage to property on or near the product. Some states do not allow the exclusion or limitation of incidental or consequential damages, so the above limitation or exclusion may not apply to you. The Warranty cannot be transferred to subsequent owners or users of the product, and it shall be immediately void in the event the product is resold, transferred, leased or rented to any third party or person other than the original purchaser.

#### **ADDITIONAL LIMITATIONS:**

THERE ARE NO OTHER WARRANTIES APPLICABLE TO THIS PRODUCT. Under the laws of certain states, there may be no implied warranties from Arrow and all implied warranties, INCLUDING ANY IMPLIED WARRANTY OF MERCHANTABILITY OR FITNESS FOR A PARTICULAR PURPOSE are disclaimed where allowed by law. TO THE EXTENT ANY IMPLIED WARRANTIES ARE APPLICABLE, ANY IMPLIED WARRANTIES, INCLUDING ANY IMPLIED WARRANTY OF MERCHANTABILITY OR FITNESS FOR A PARTICULAR PURPOSE, ARE LIMITED IN DURATION TO THE DURATION OF THIS EXPRESS WARRANTY or the minimum period allowed by law, whichever is shorter. Some states do not allow limitations on how long an implied Warranty lasts, so the above limitation may not apply to you. This limited warranty gives you specific legal rights. This limited warranty does not, in any way, affect the rights given to you by law.

**REGISTER YOUR PRODUCT:** Original purchaser should register the purchase online at [www.ArrowCabinets.com/warranty](http://www.ArrowCabinets.com/warranty).

**SEW IN COMFORT. SEW LONGER.<sup>™</sup>**

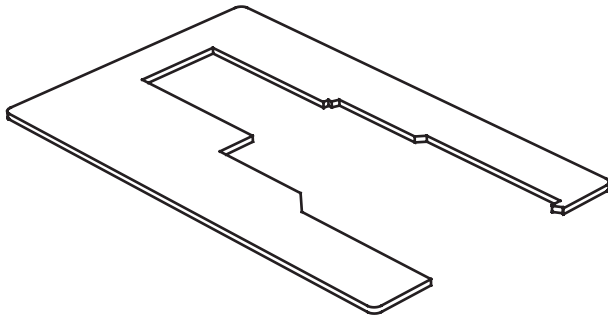


**KANGAROO**<sup>TM</sup>  
sewing furniture

## Accessories to Complete Your Sewing Experience

### Custom Insert

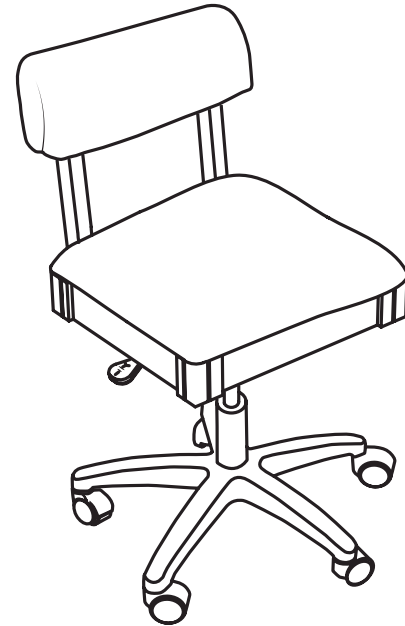
Enhance your sewing experience with a custom-made insert for your Arrow or Kangaroo cabinet. Inserts are designed to reduce the gap between the machine and cabinet opening. This provides an ergonomic work surface for the free arm of the sewing machine, allowing for straighter stitches, less fatigue and an overall better experience using your machine and cabinet.



Insert

### Arrow Sewing Chairs

Our adjustable height sewing chair is a perfect accessory for any craft and sewing room. The chair's height is adjustable with easy to use controls and the cushions provide perfect lumbar support and comfort for those long sewing hours. Chair features five casters on a star base for greater movement at your sewing cabinet or crafting surface. Lift the seat cushion to reveal a hidden storage compartment for your small notions or patterns.



Hydraulic Sewing Chair

P.O. Box 307 Delavan, WI 53115  
1-800-533-7347 Ext. 1  
CS@ArrowCabinets.com  
www.ArrowCabinets.com

01-20

**SEW IN COMFORT. SEW LONGER.**<sup>TM</sup>