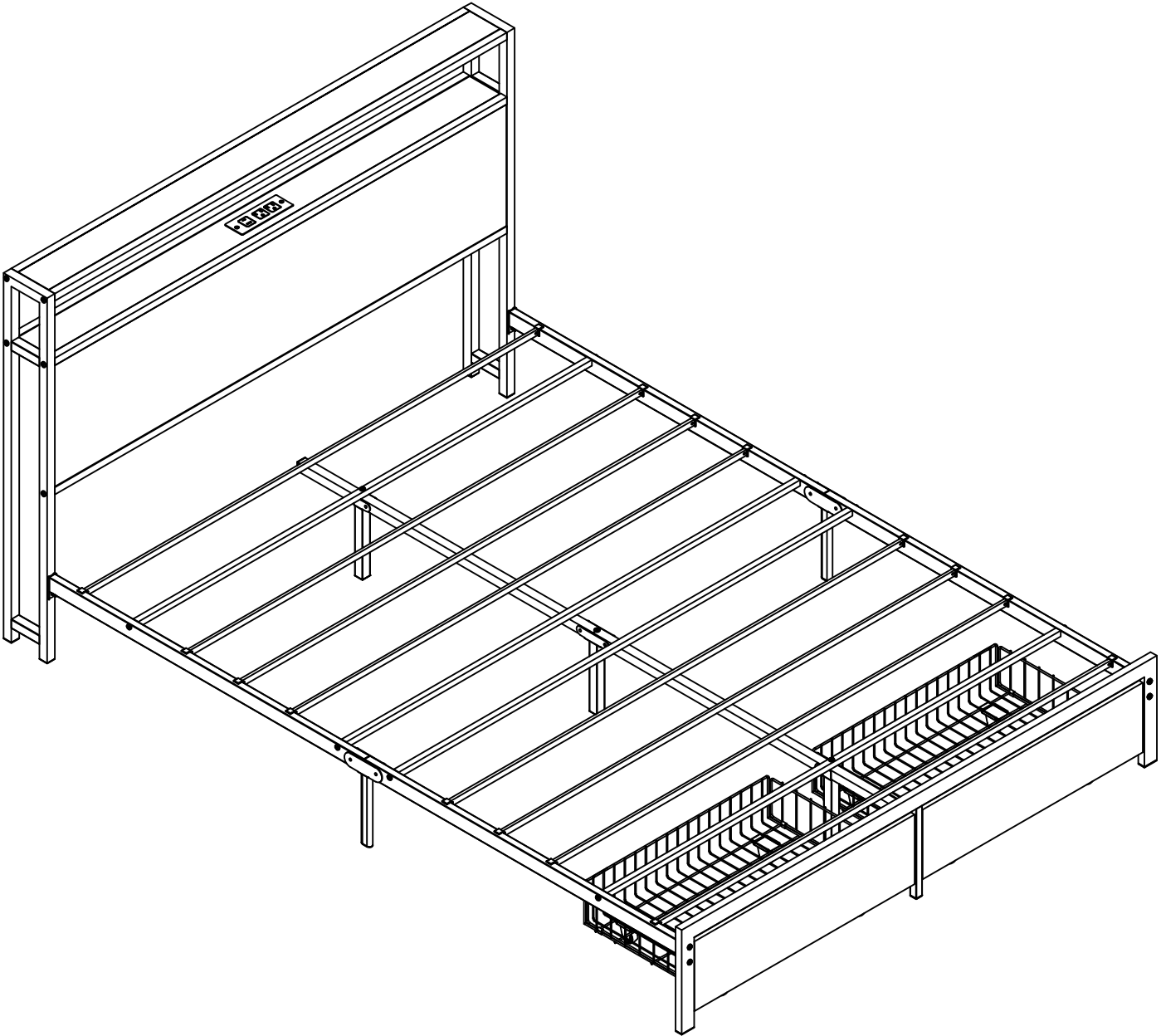
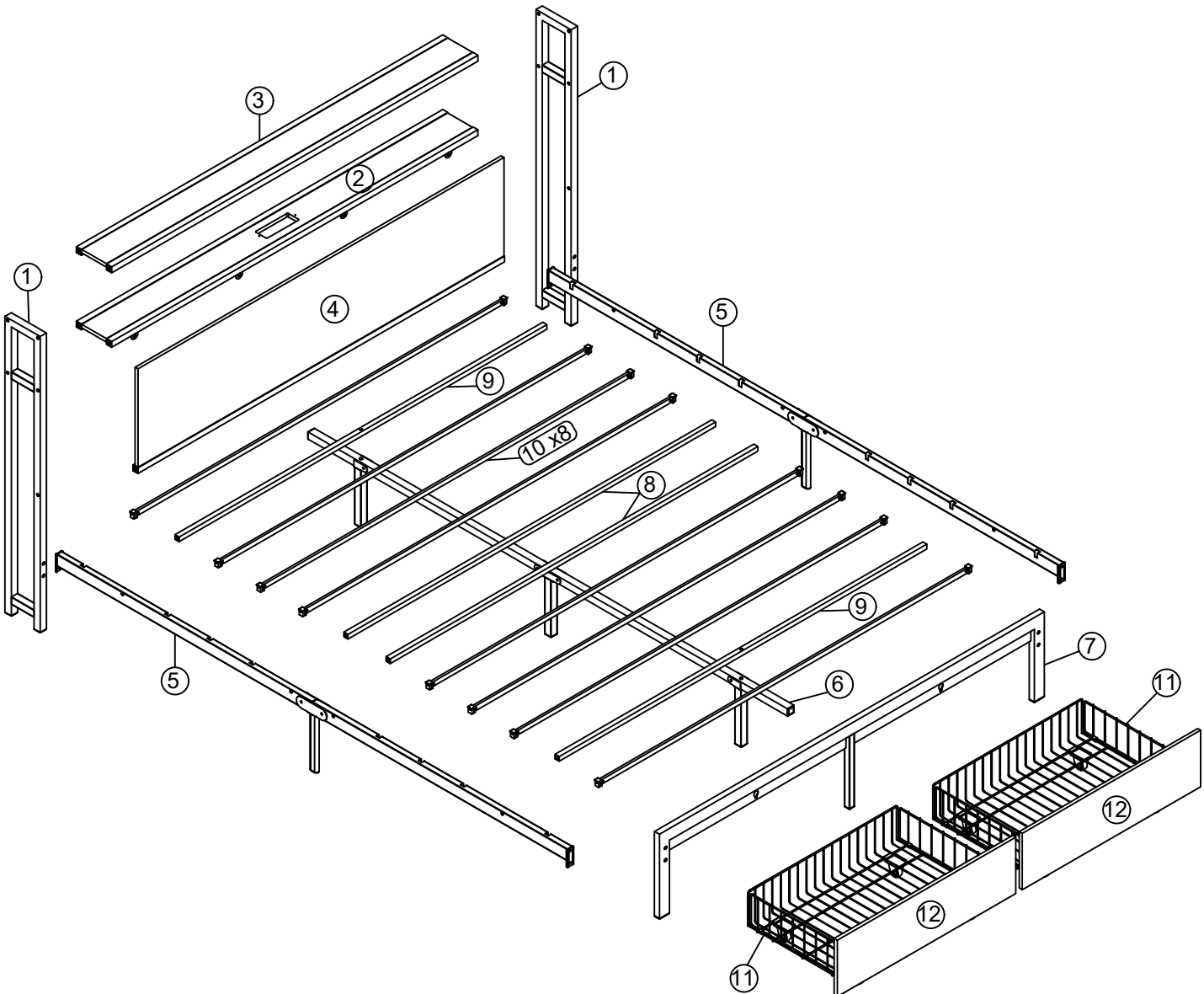


Assembly instruction

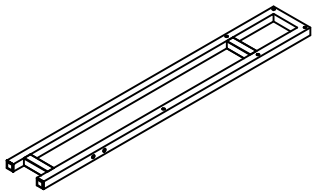
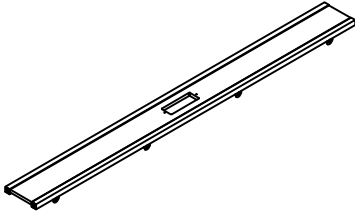
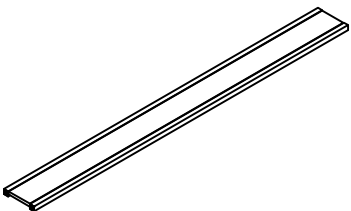
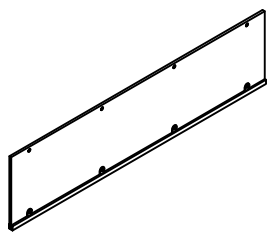
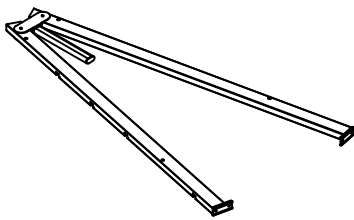
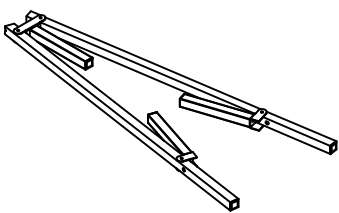
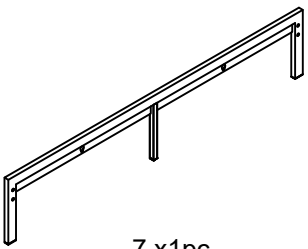
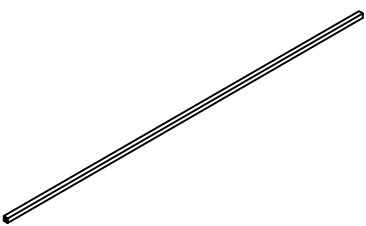
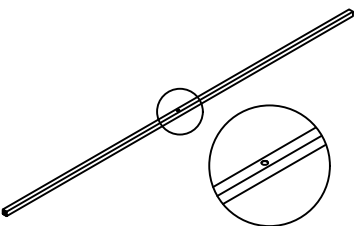
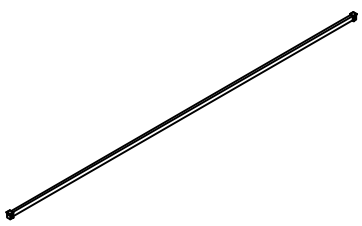
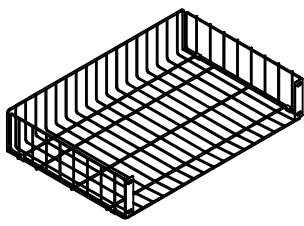
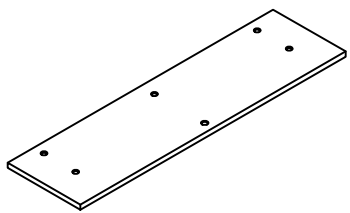
Bed Frame With LED & Power Outlet



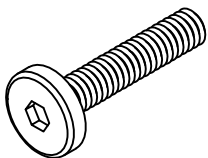
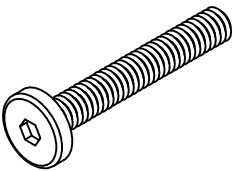
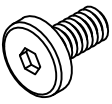

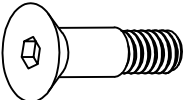

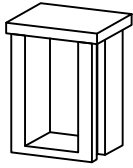
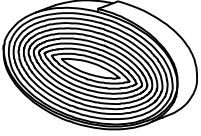
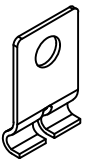

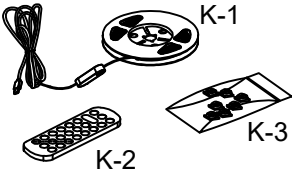

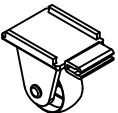
Installation Manual



PART LIST

 1 x2pcs	 2 x1pc	 3 x1pc	 4 x1pc
 5 x2pcs	 6 x1pc	 7 x1pc	 8 x2pcs
 9 x2pcs	 10 x8pcs	 11 x2pcs	 12 x2pcs

HARDWARE LIST

 M8x40mm Ⓐ x8pcs+1pc	 M6x50mm Ⓑ x21pcs+2pcs	 M6x10mm Ⓒ x14pcs+2pcs	 Ø3.5x12mm Ⓓ x2pcs+1pc
 M8x19mm Ⓔ x2pcs+1pc	 4mm Ⓕ x1pc	 Ⓖ x2pcs	 Ⓗ x1pc
 Ⓘ x2pcs+1pc	 Ⓙ x1pc	 K-1 K-2 Ⓚ x1pc	 Ⓛ x4pcs+1pc
 Ⓜ x8pcs			

1

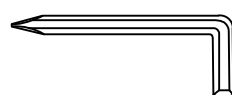
Note: For easy setup intention, do not tighten screws during the installation process



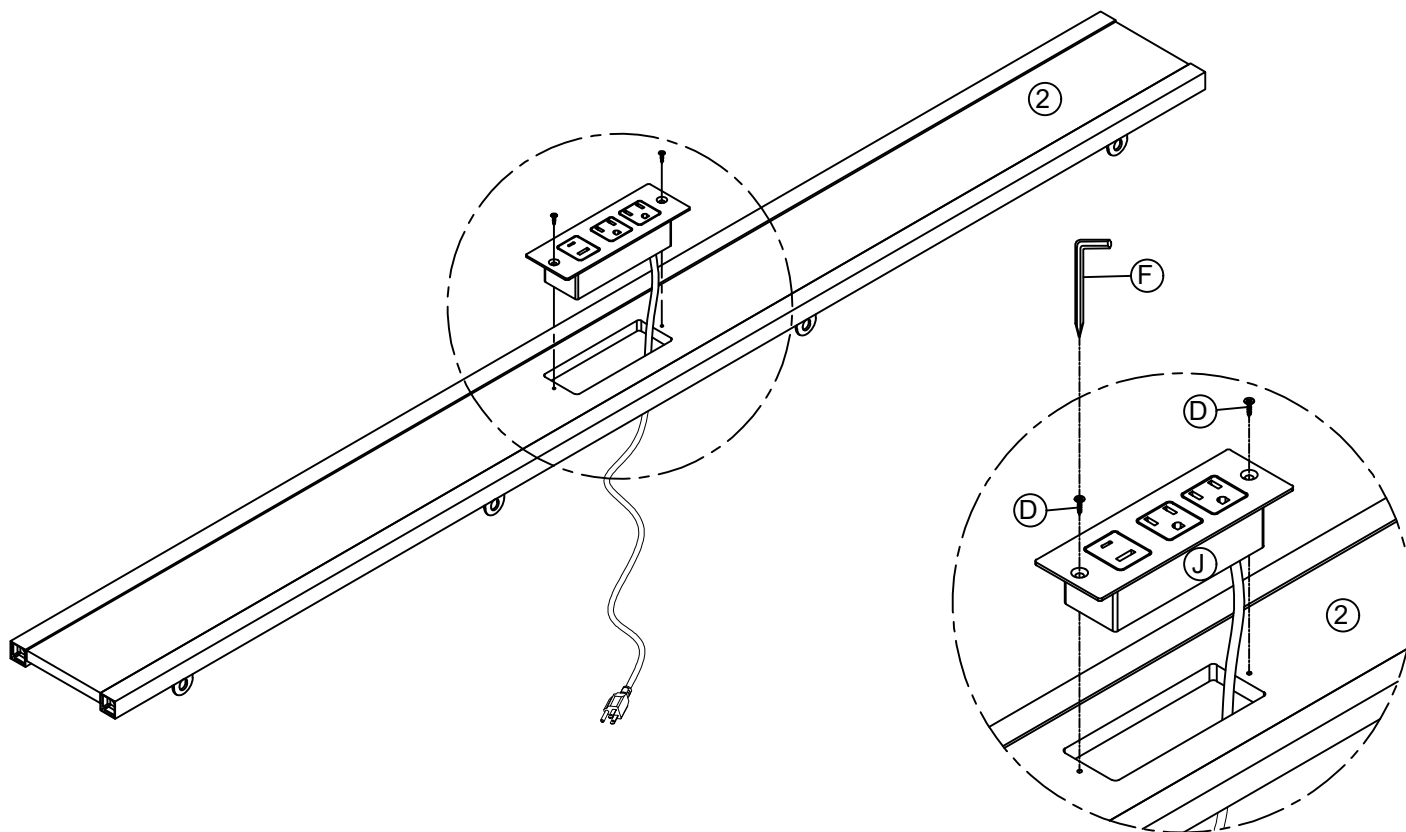
J x1pc



Ø3.5x12mm
D x2pcs

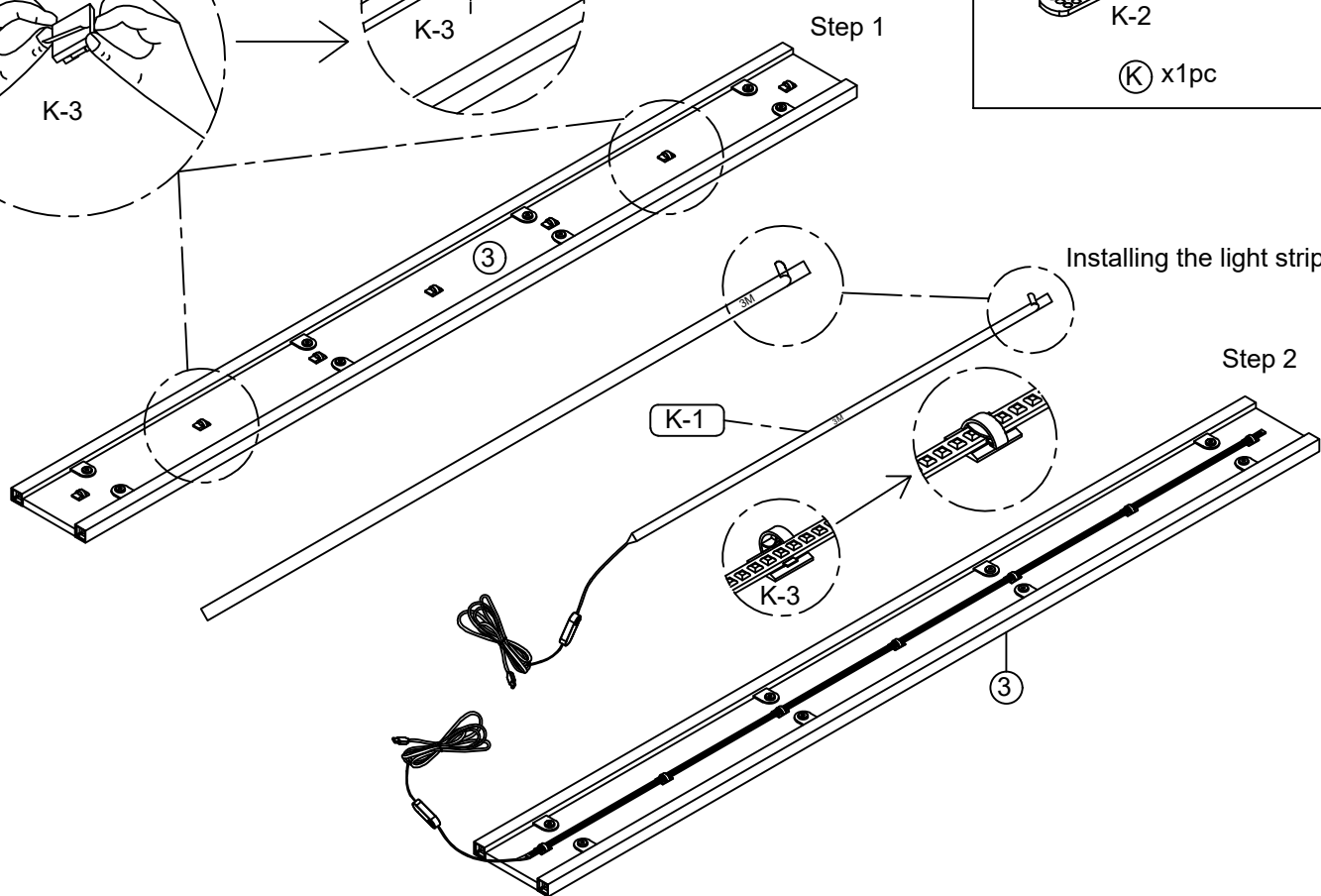
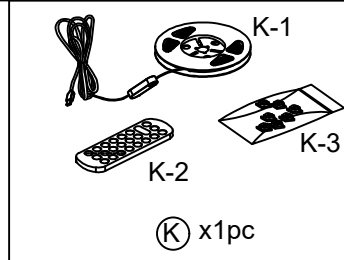
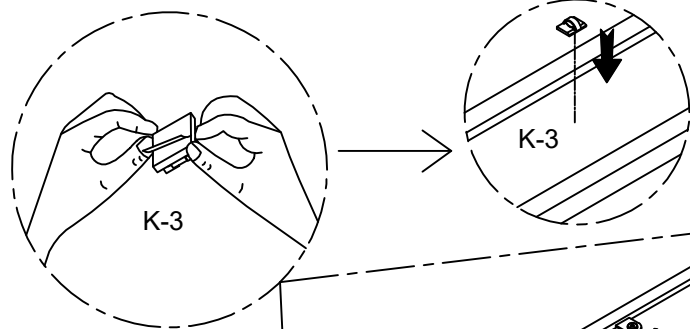


4mm
F x1pc

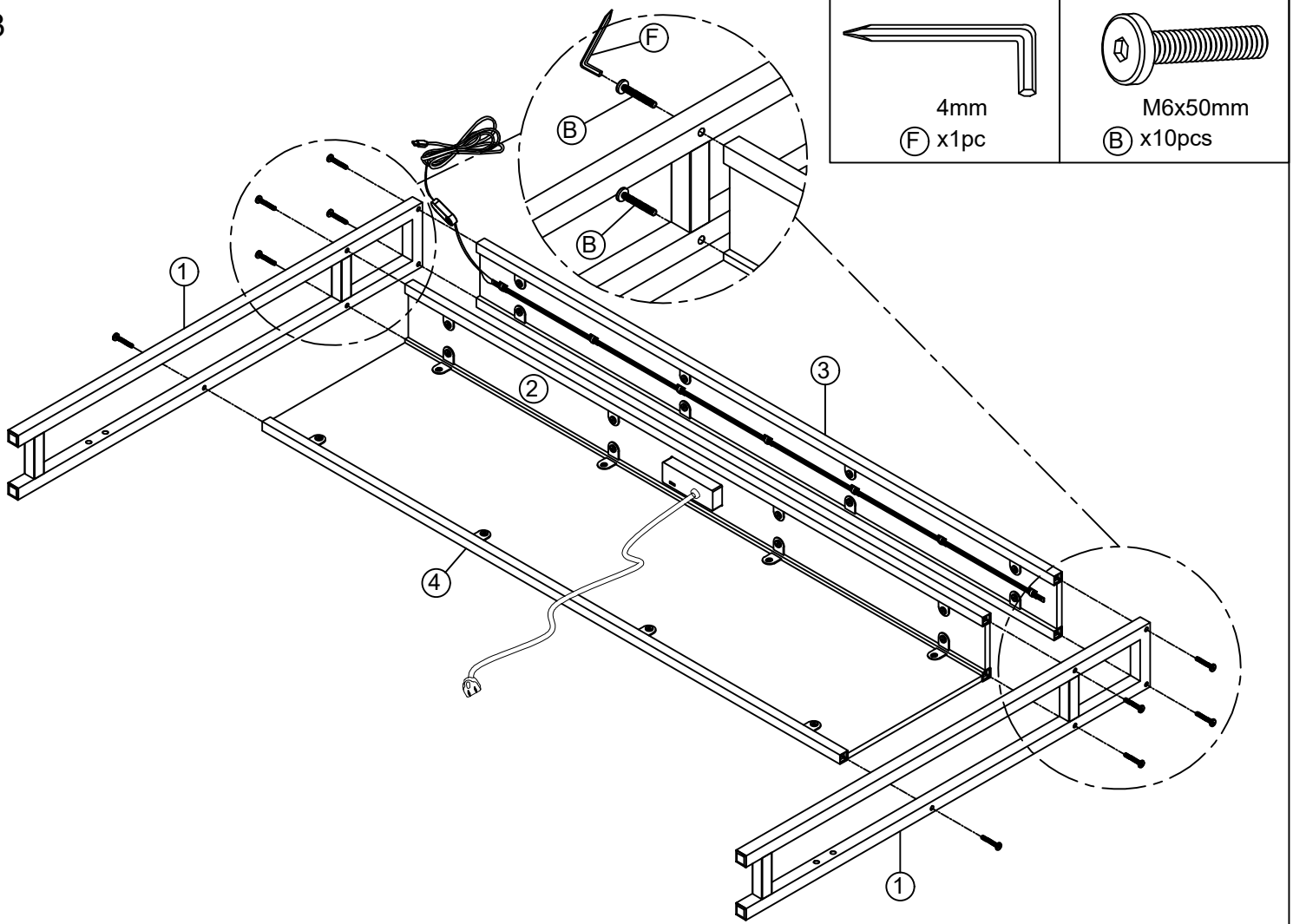


2

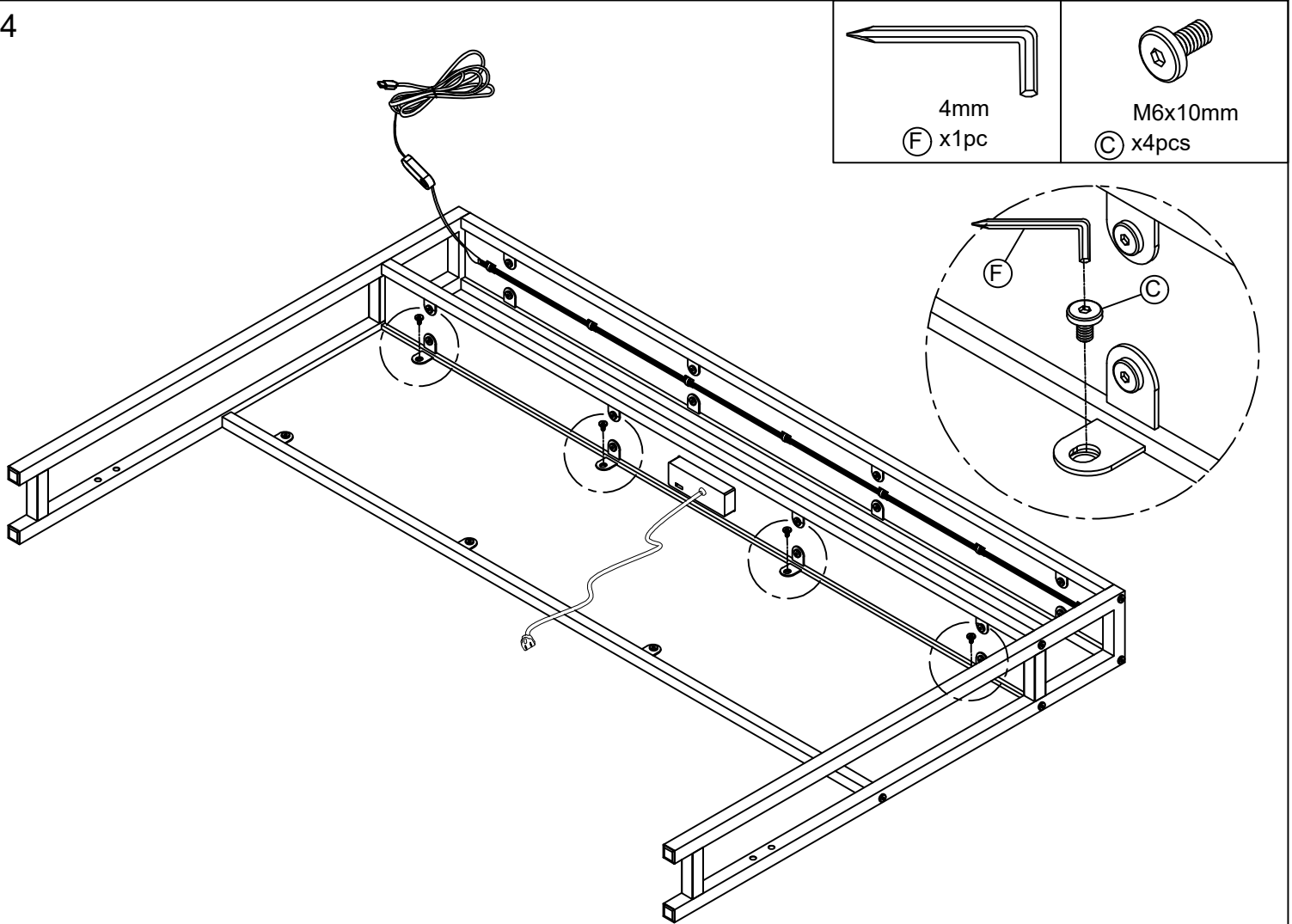
Glue K-3 self-adhesive ties evenly to parts 3 for future use.



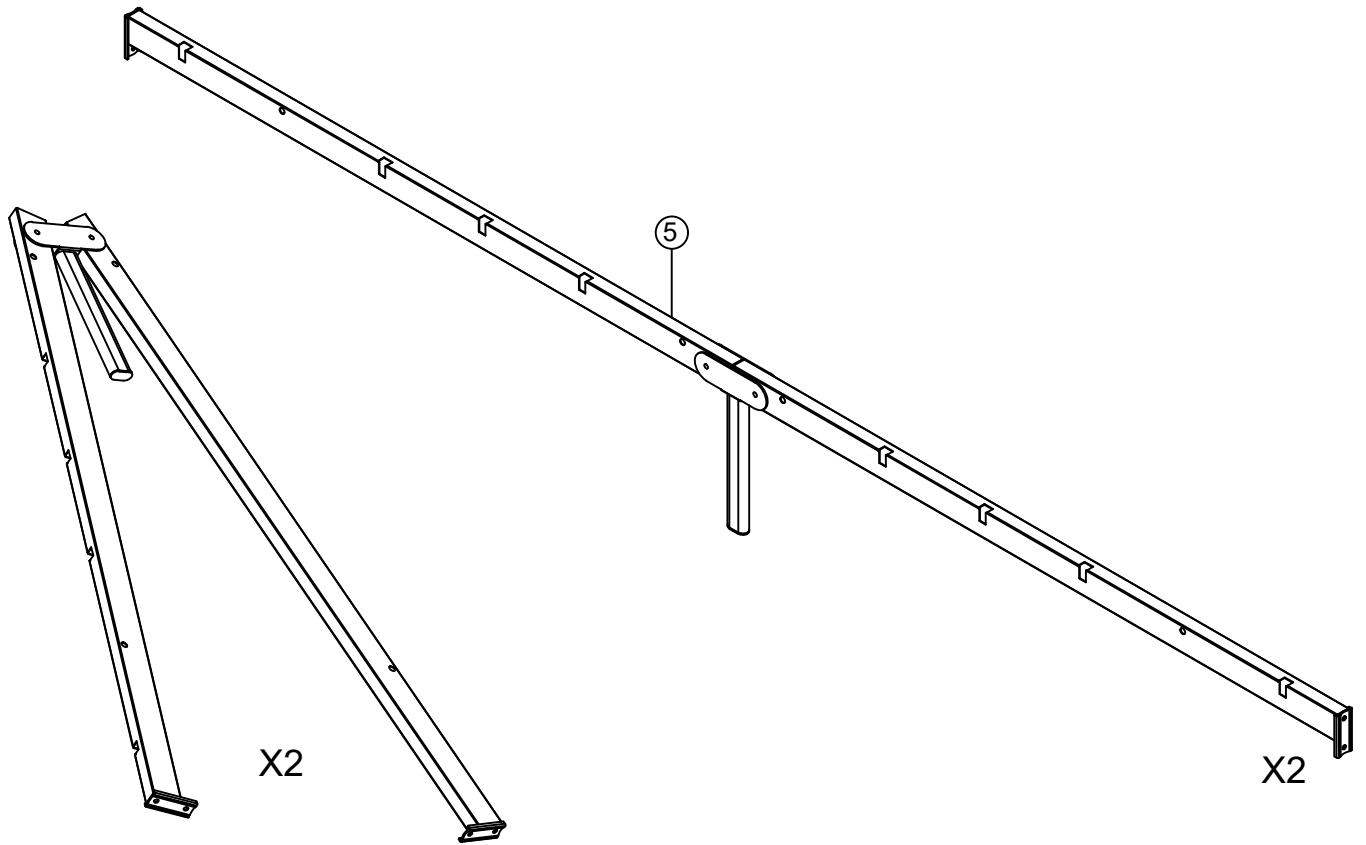
3



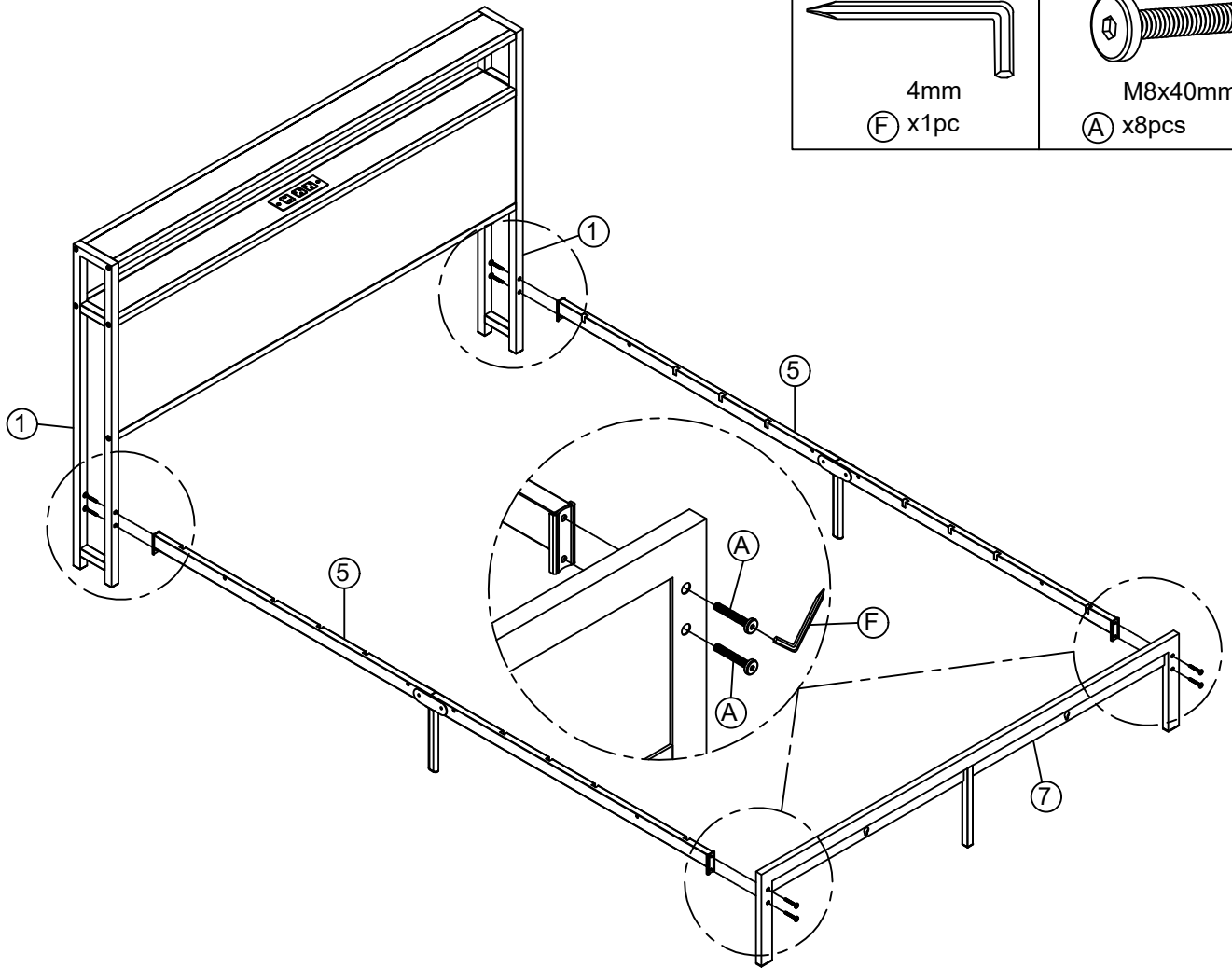
4



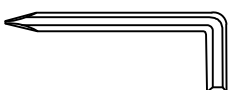
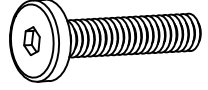
5

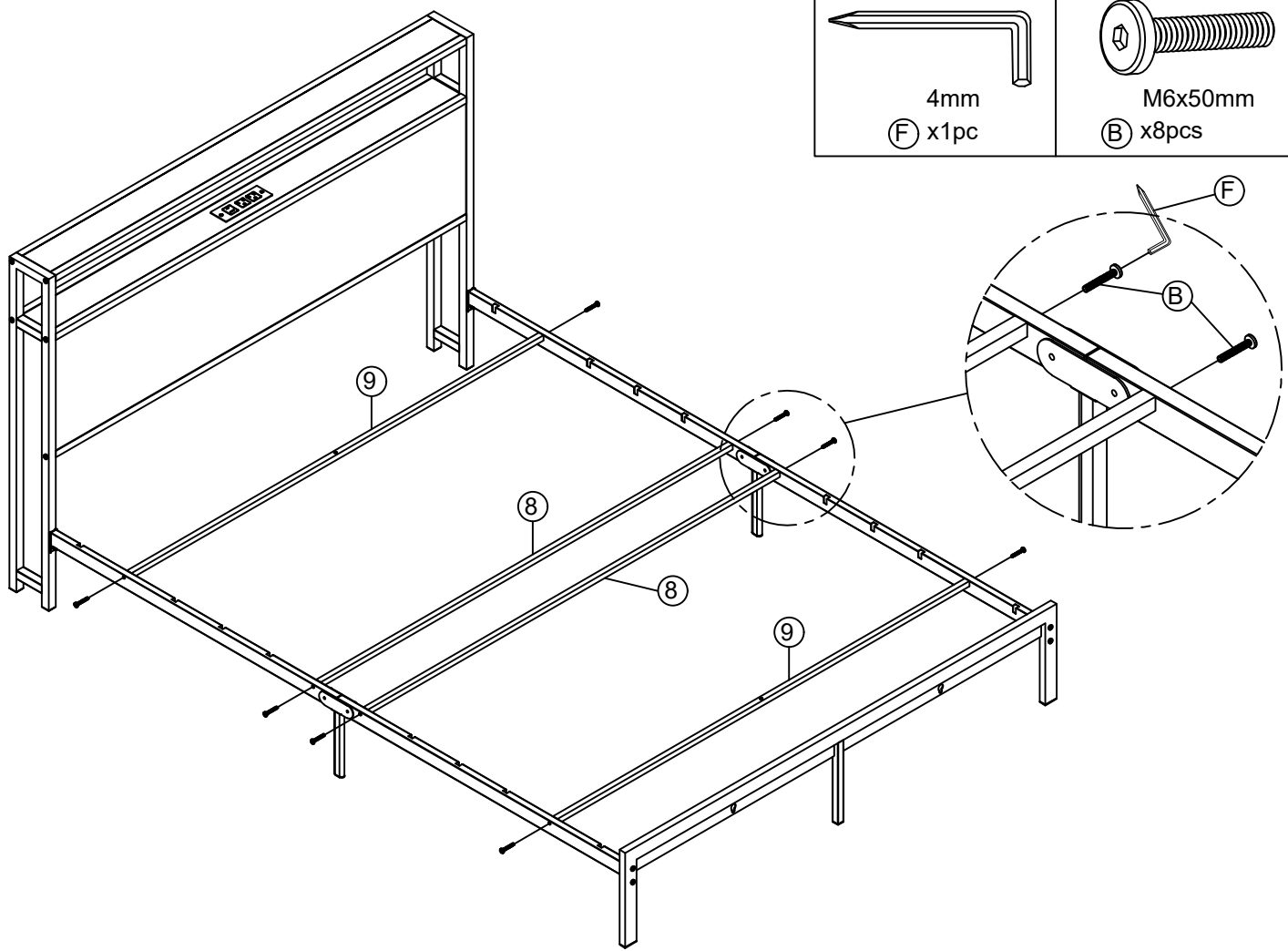


6

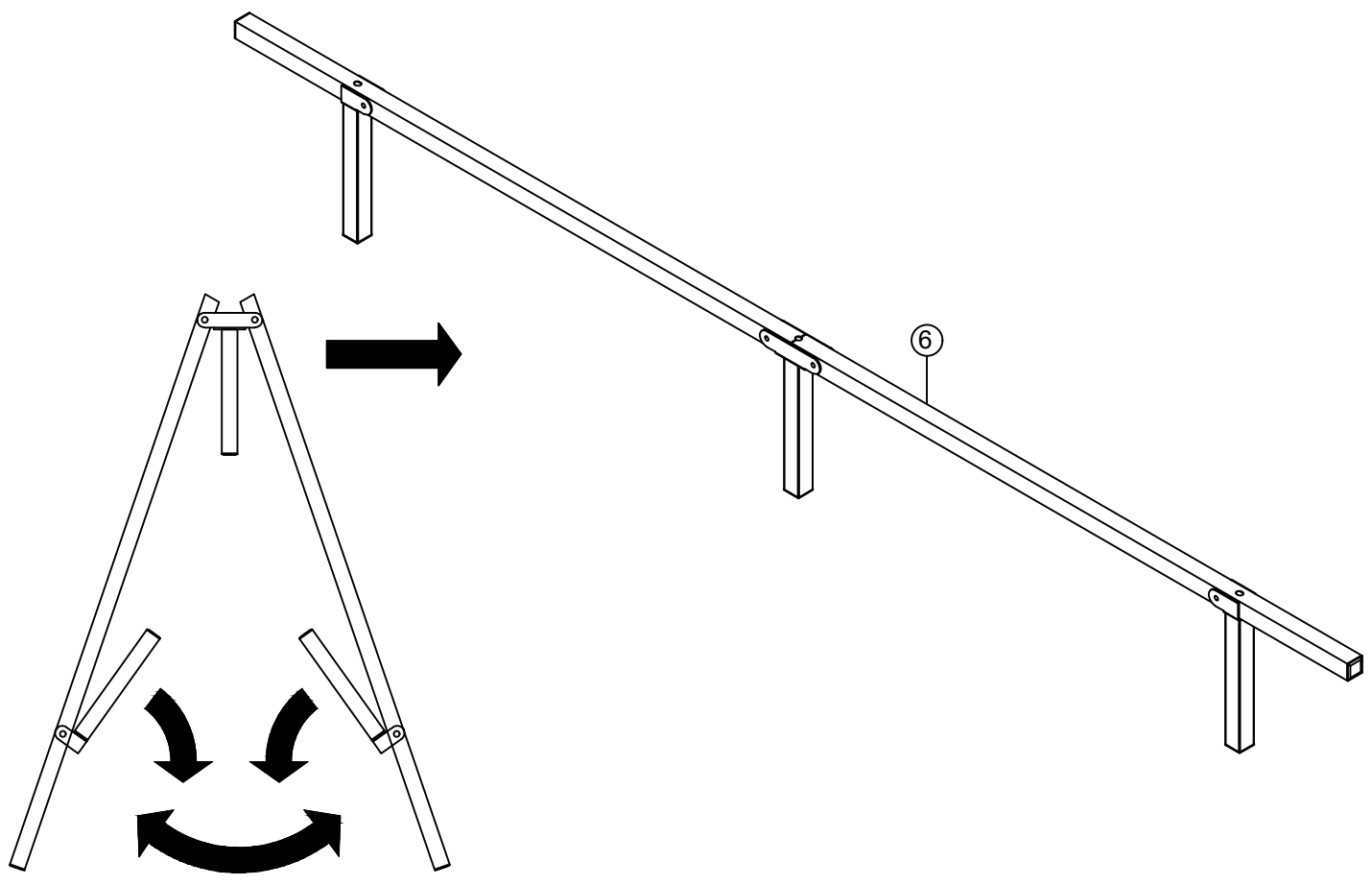


7

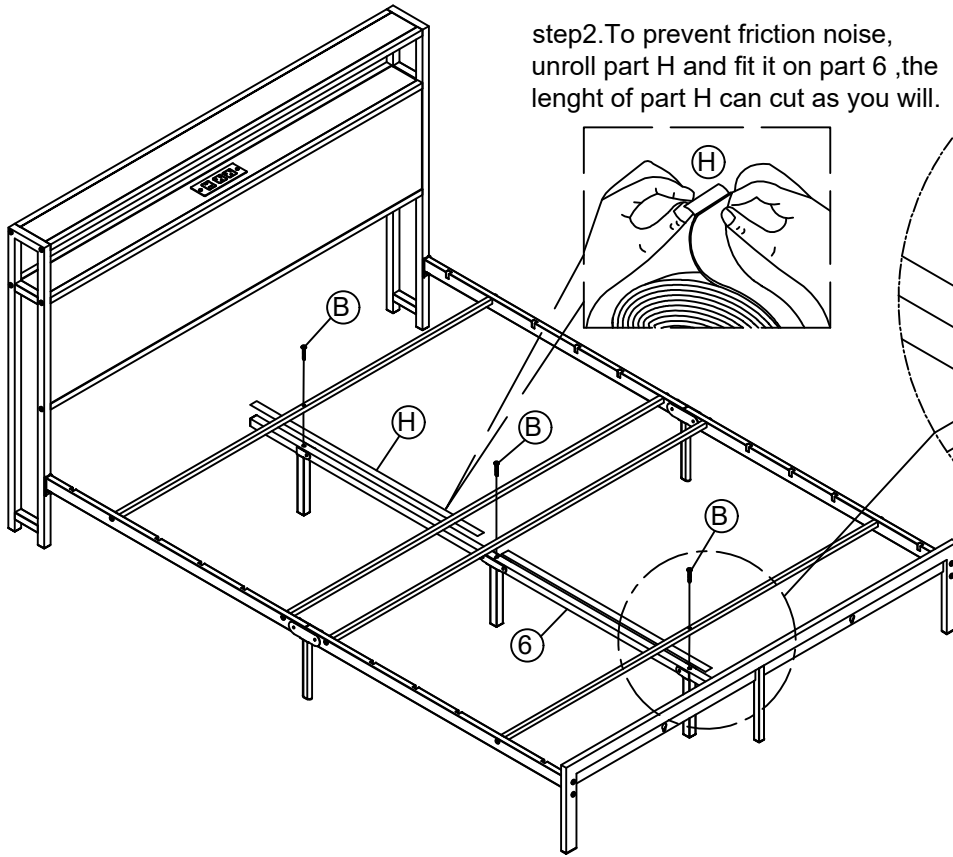
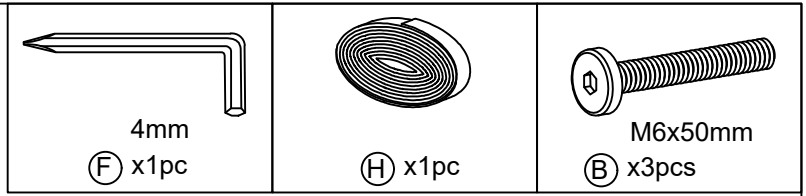
 4mm Ⓕ x1pc	 M6x50mm Ⓑ x8pcs
---	--



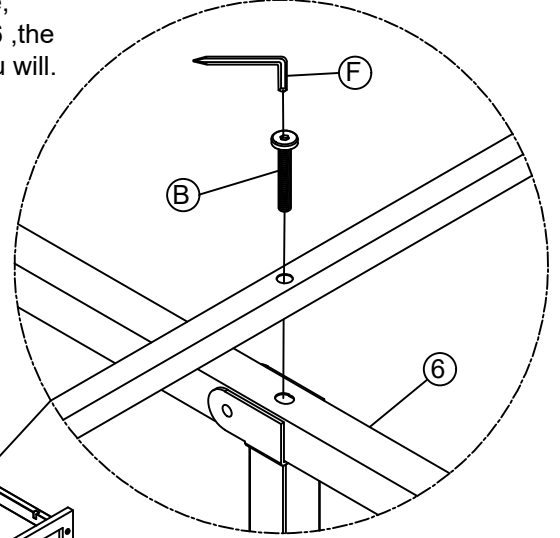
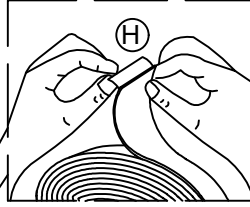
8



9

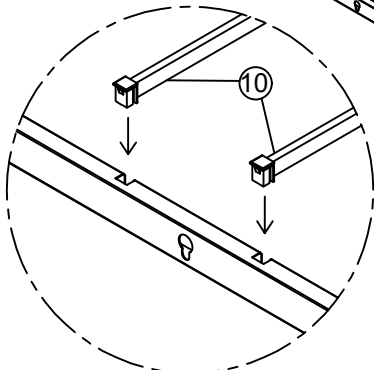
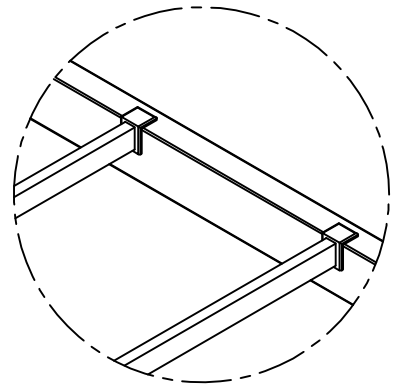
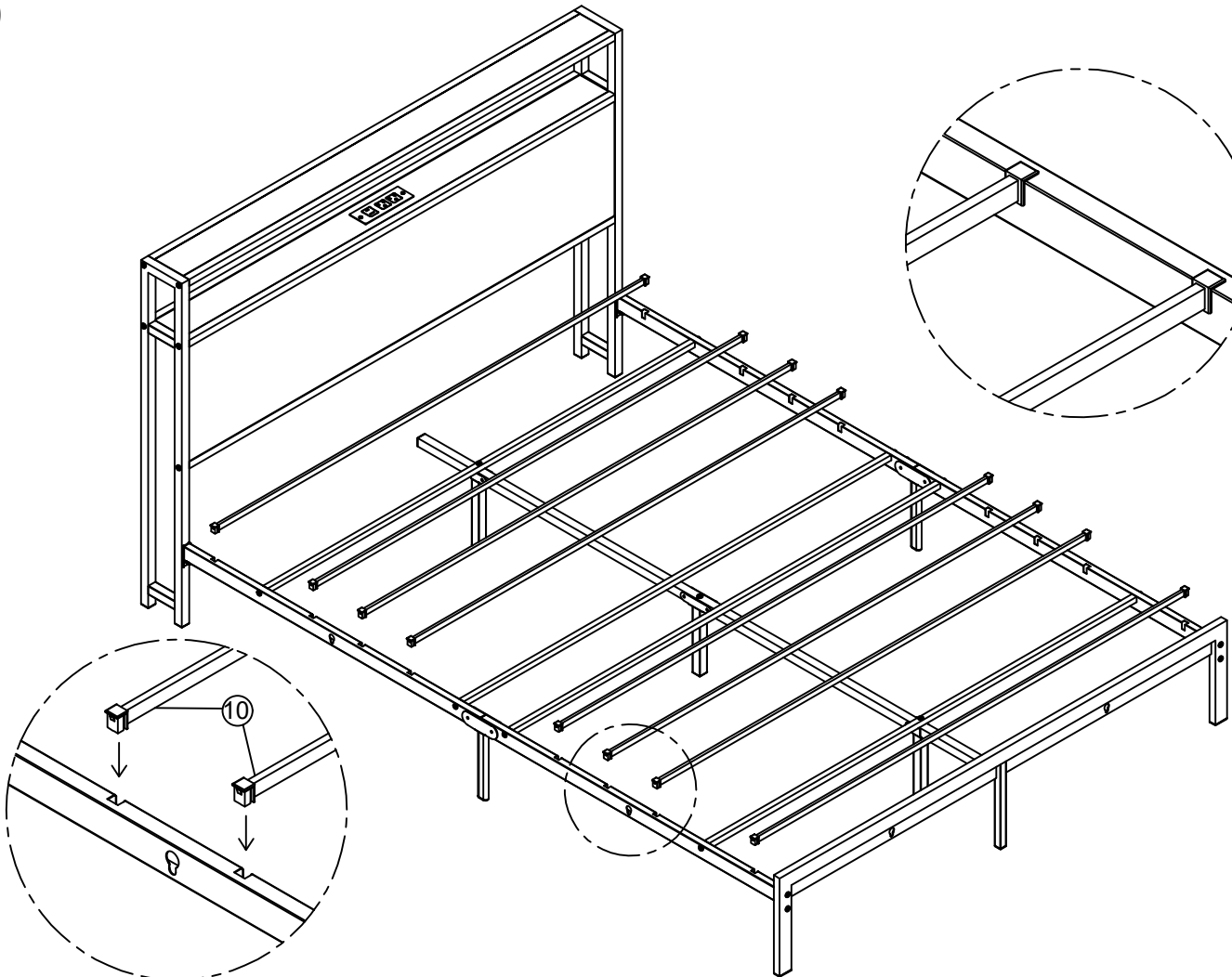


step2.To prevent friction noise,
unroll part H and fit it on part 6 ,the
length of part H can cut as you will.

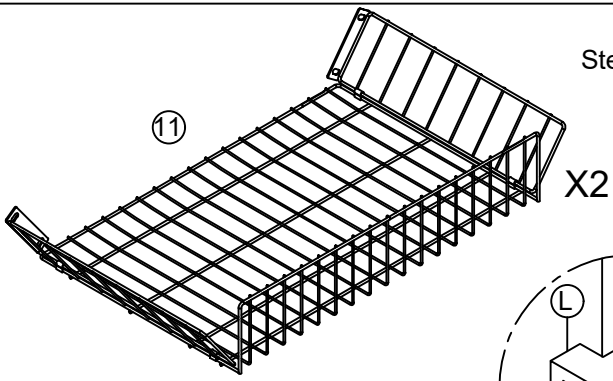


step1.Tighten screw B.

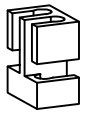
10



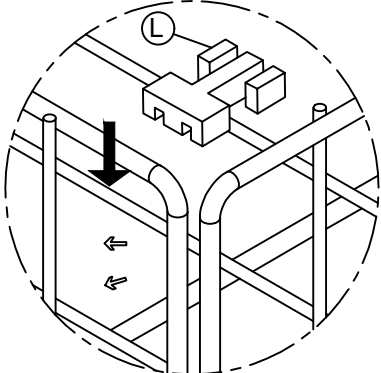
11



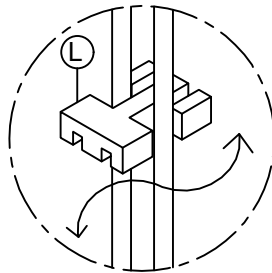
Step 1



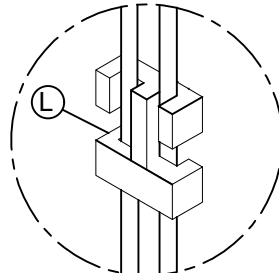
L x4pcs



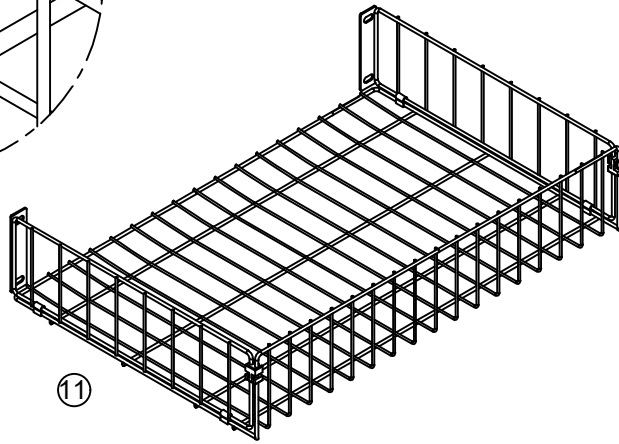
Step 2



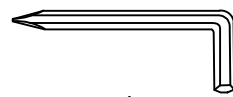
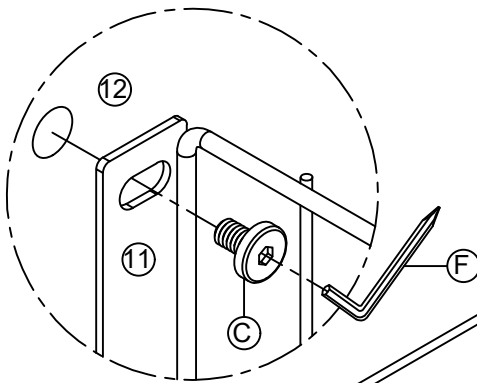
Step 3



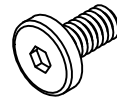
Step 4



12



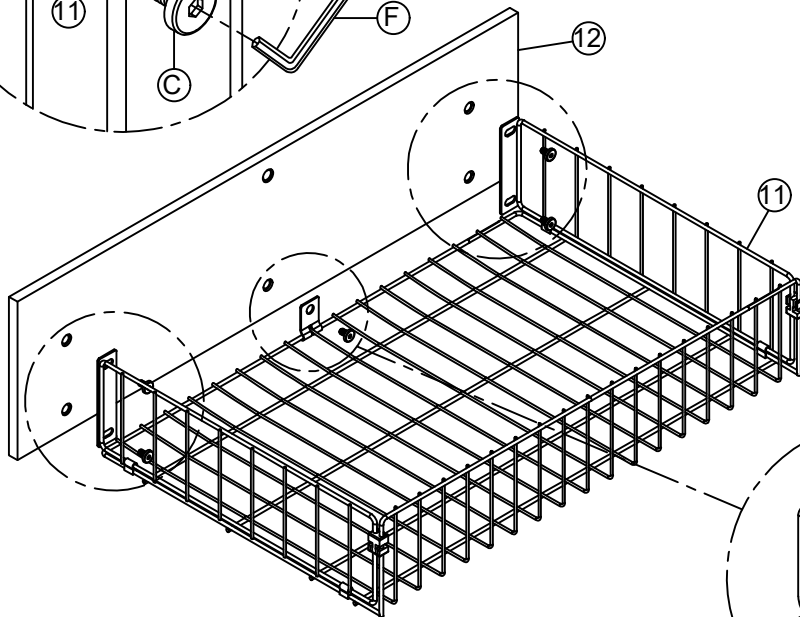
4mm
F x1pc



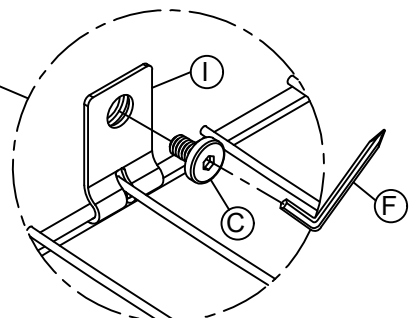
M6x10mm
C x10pcs



I x2pcs

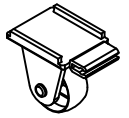


X2

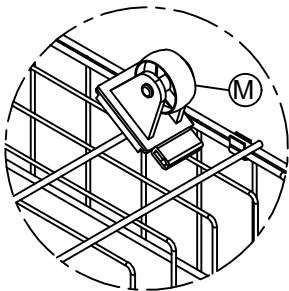


13

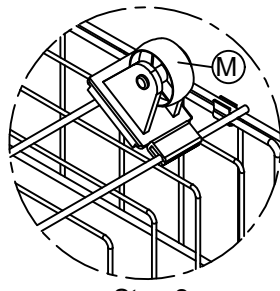
Clamp the wire with the opening of the front end of the wheel and press down to tighten the wire.



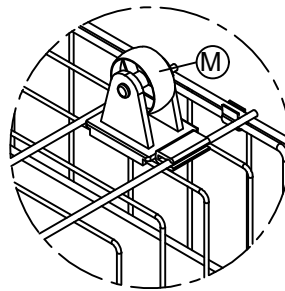
(M) x8pcs



Step 1

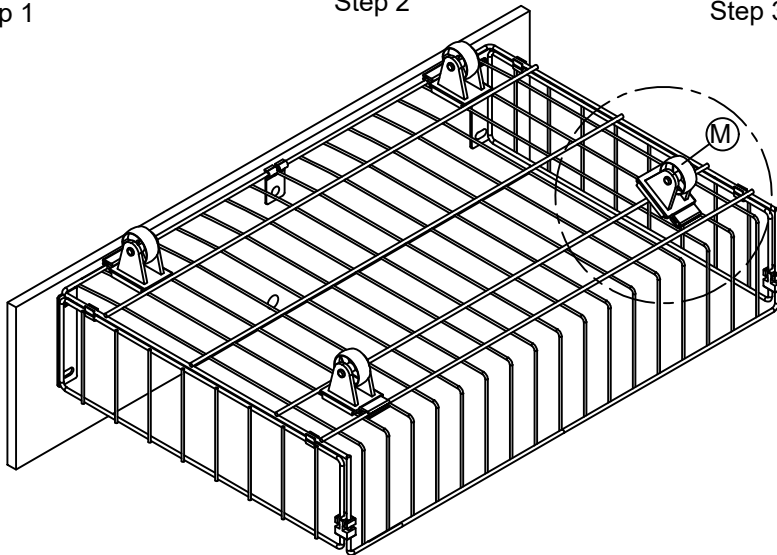


Step 2

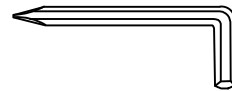
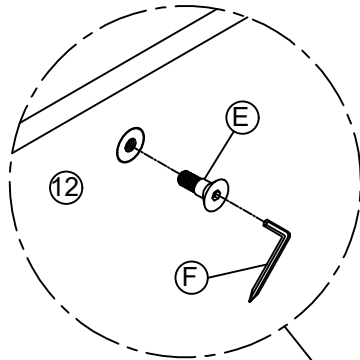


Step 3

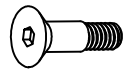
X2



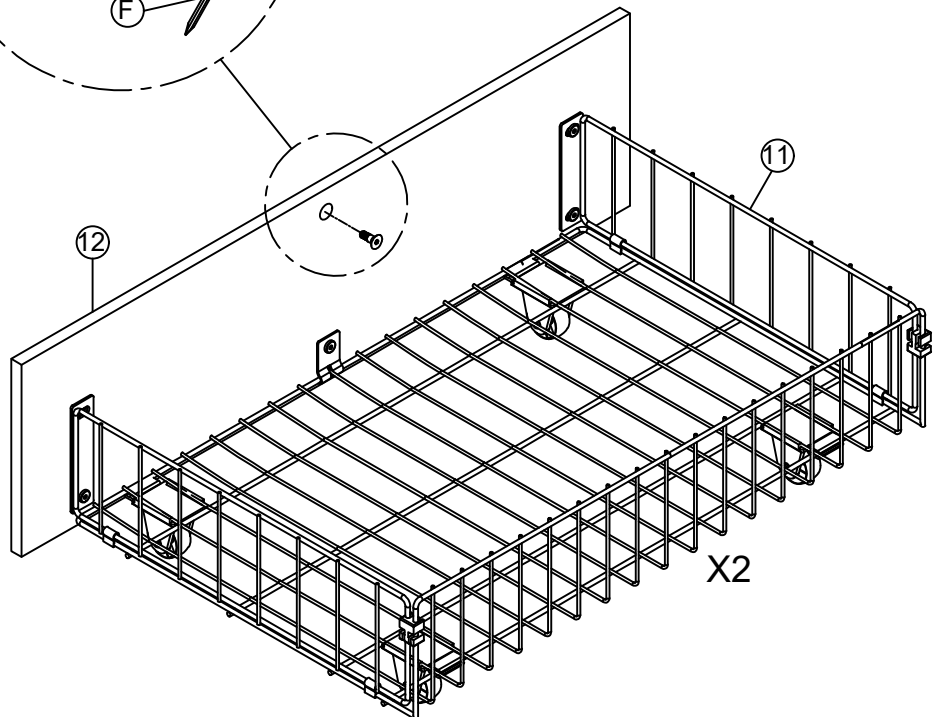
14



4mm
(F) x1pc

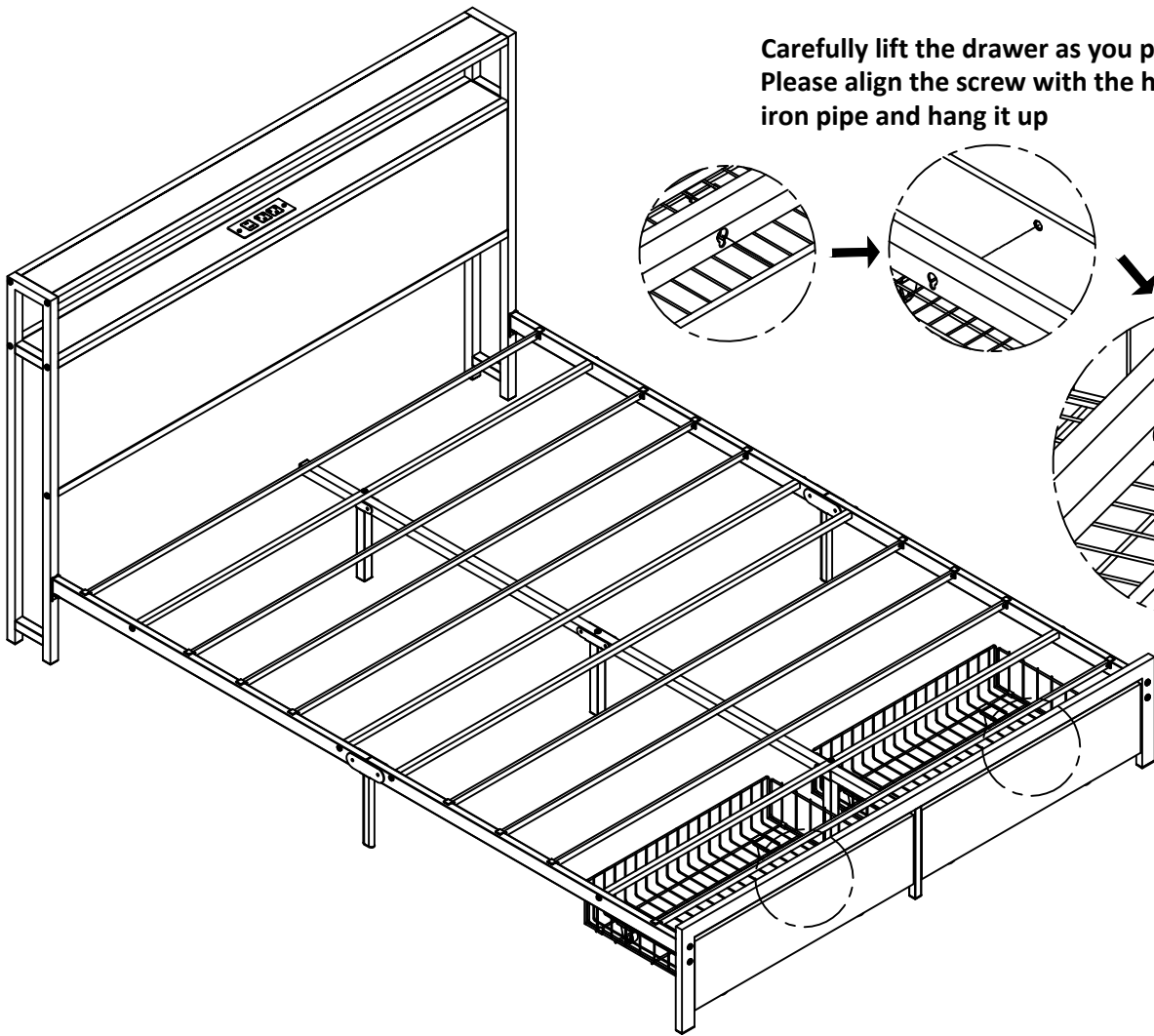


M8x19mm
(E) x2pcs



X2

15



Carefully lift the drawer as you push it in.
Please align the screw with the hole on the
iron pipe and hang it up

16

