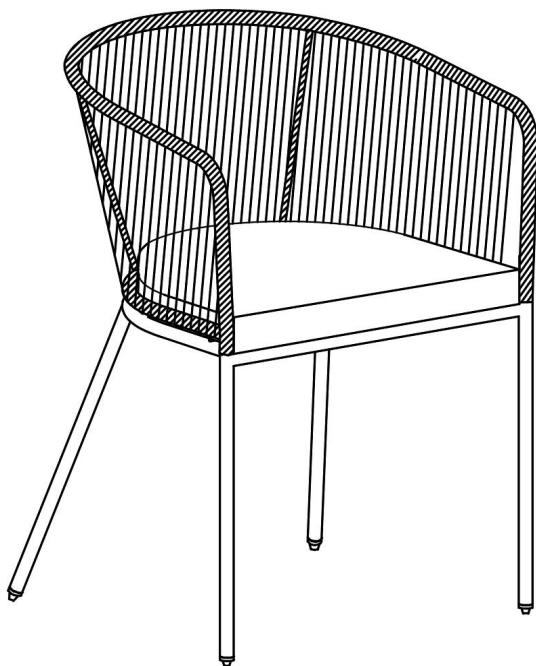


# Instruction Manual

## Hali Rope Chair



# CONTENTS

---

Safety and care advice	<b>1</b>
Components	<b>2</b>
Assembly instructions	<b>4</b>
Copyright	<b>8</b>

---

# ⚠ SAFETY AND CARE ADVICE ⚠

---

## PLEASE READ THESE INSTRUCTIONS CAREFULLY AND KEEP FOR FUTURE REFERENCE

- **Warning:** Please lift with care.
- Check you have all the components and tools listed on pages 2 and 3.
- Remove all fittings from the plastic bags and separate them into their groups.
- Keep children and animals away from the work area, small parts could choke if swallowed.
- Make sure you have enough space to lay out the parts before starting.
- Do not stand or put weight on the product, this could cause damage.
- Assemble the item as close to its final position (in the same room) as possible.
- Assemble on a soft level surface to avoid damaging the unit or your floor (use opened out unit carton).



- We do not recommend the use of power drill/drivers **for inserting screws**, as this could damage the unit. Only use hand screwdrivers.
- Dispose of all packaging carefully and responsibly.

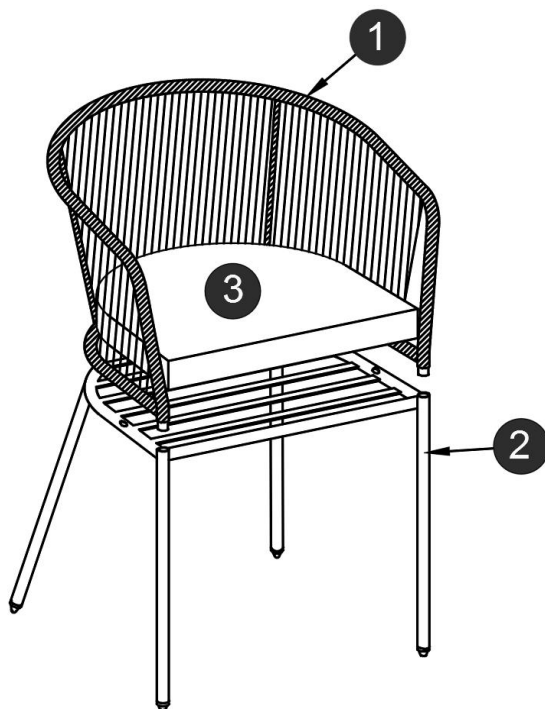
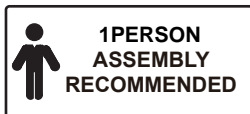
## CARE AND MAINTENANCE

---

- Only clean using a damp cloth and mild detergent, do not use bleach or abrasive cleaners.
  - From time to time check that there are no loose screws on this unit.
  - This product should not be discarded with household waste. Take to your local authority waste disposal center.
- Note** *If required the next page can be cut out and used as reference throughout the assembly. Keep this page with these instructions for future reference.*

# COMPONENTS

Please check you have all the panels listed below:



1	Seat frame	x1
2	Base frame	x1
3	Seat cushion	x1



# COMPONENTS

---

Please check you have all the fittings listed below:

A



Bolt M6x35mm (4pcs)

B



Flat washer M8x2x16mm (4pcs)

C



Adjustable glide (4pcs)

D

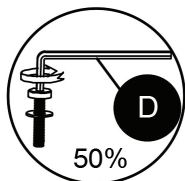


Allen key x 1

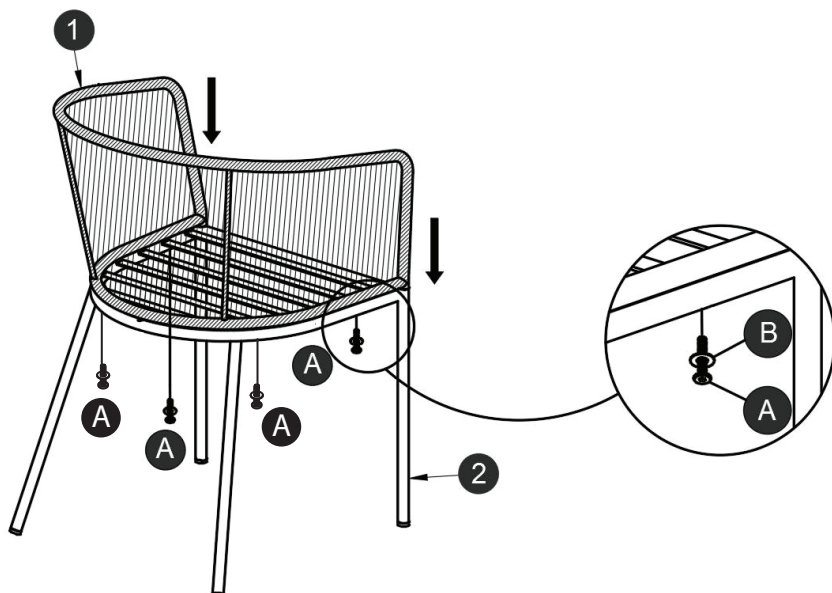


# ASSEMBLY INSTRUCTIONS

## Step1



A		4	
B		4	
D		1	

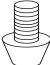


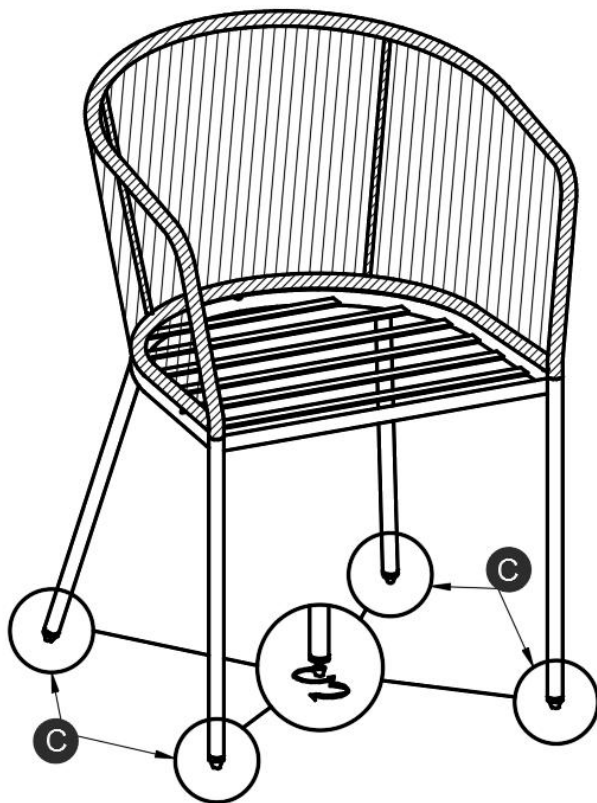
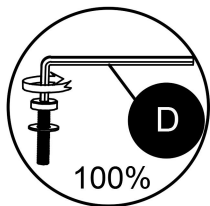
x2

# ASSEMBLY INSTRUCTIONS

---

Step 2

C		4	
---	---	---	--

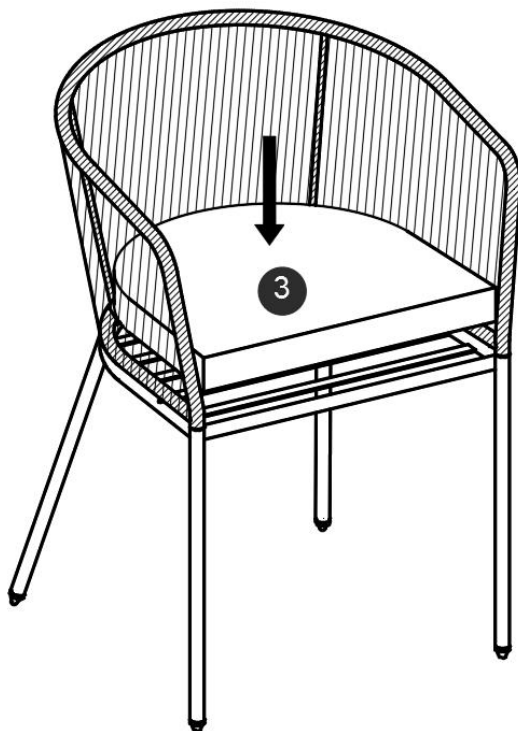


x2

# ASSEMBLY INSTRUCTIONS

---

Step 3

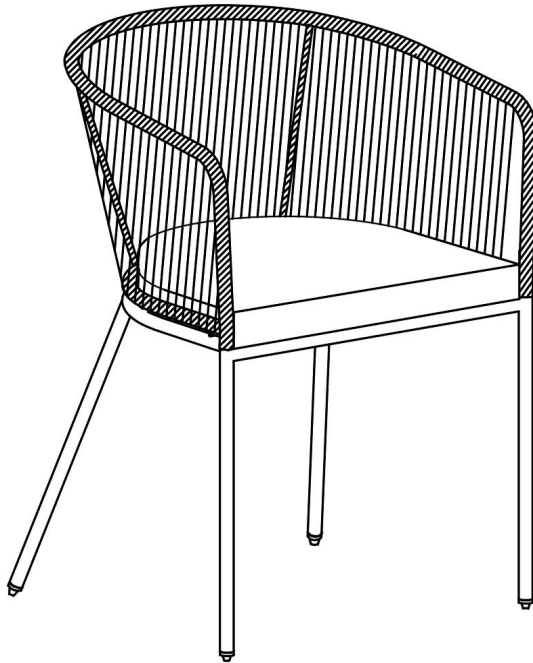


x2

# ASSEMBLY INSTRUCTIONS

---

Step 4



x2

Congratulations! Now you have finished assembling the product.

## **IF YOU FIND A DEFECTIVE PART**

---

We fully stock all parts and components. Any defective part can be quickly replaced. Take note of the defective part number in manual and we will arrange a quick replacement.