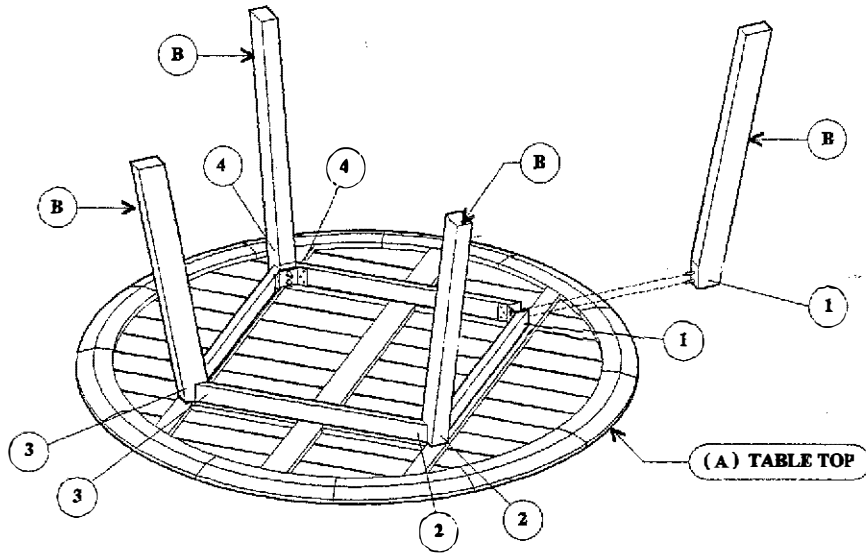


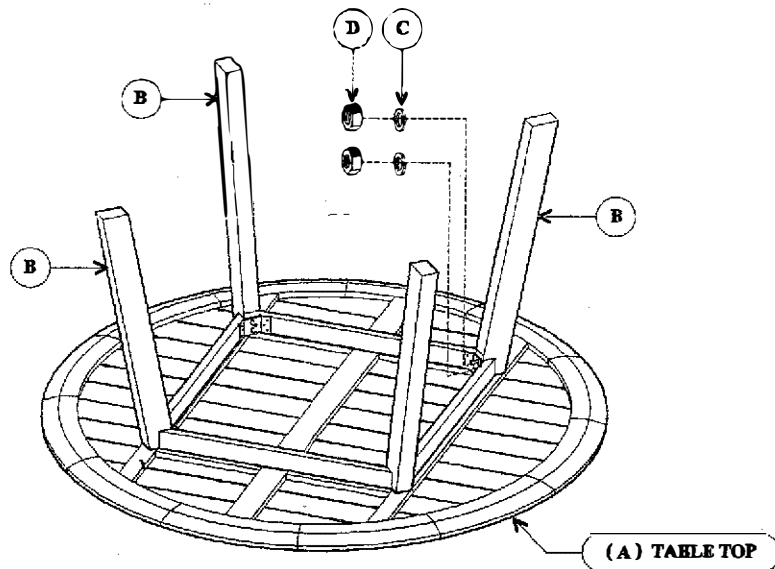
# ASSEMBLY INSTRUCTIONS

## TEAKWOOD ROUND TABLE 1.5 M. (ATF40)

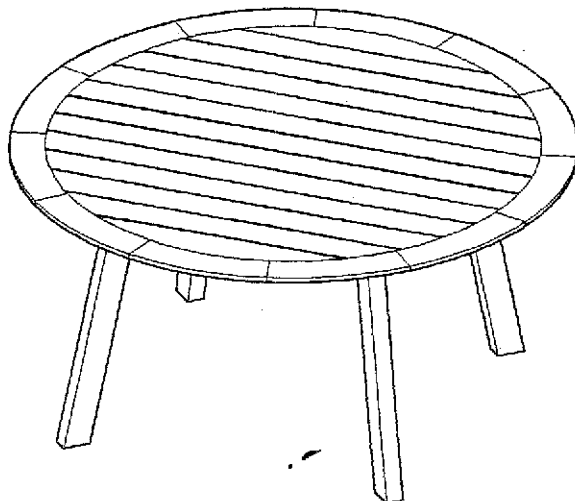
### STEP 1




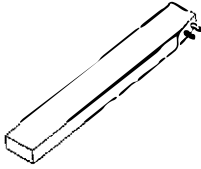



### STEP 2



### STEP 3



**ASSEMBLY INSTRUCTIONS**  
**TEAKWOOD ROUND TABLE 1.5 M. ( ATF40 )**

NO.	PARTS.	QTY.
A	TABLE TOP 	1
B	LEGS 	4
C	WASHER 	8+1
D	NUT 	8+1
E	WRENCH 	1