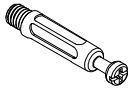



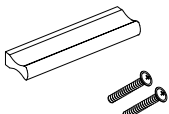
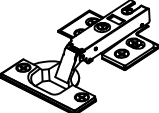
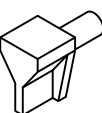
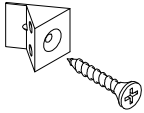
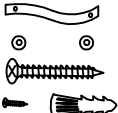

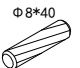
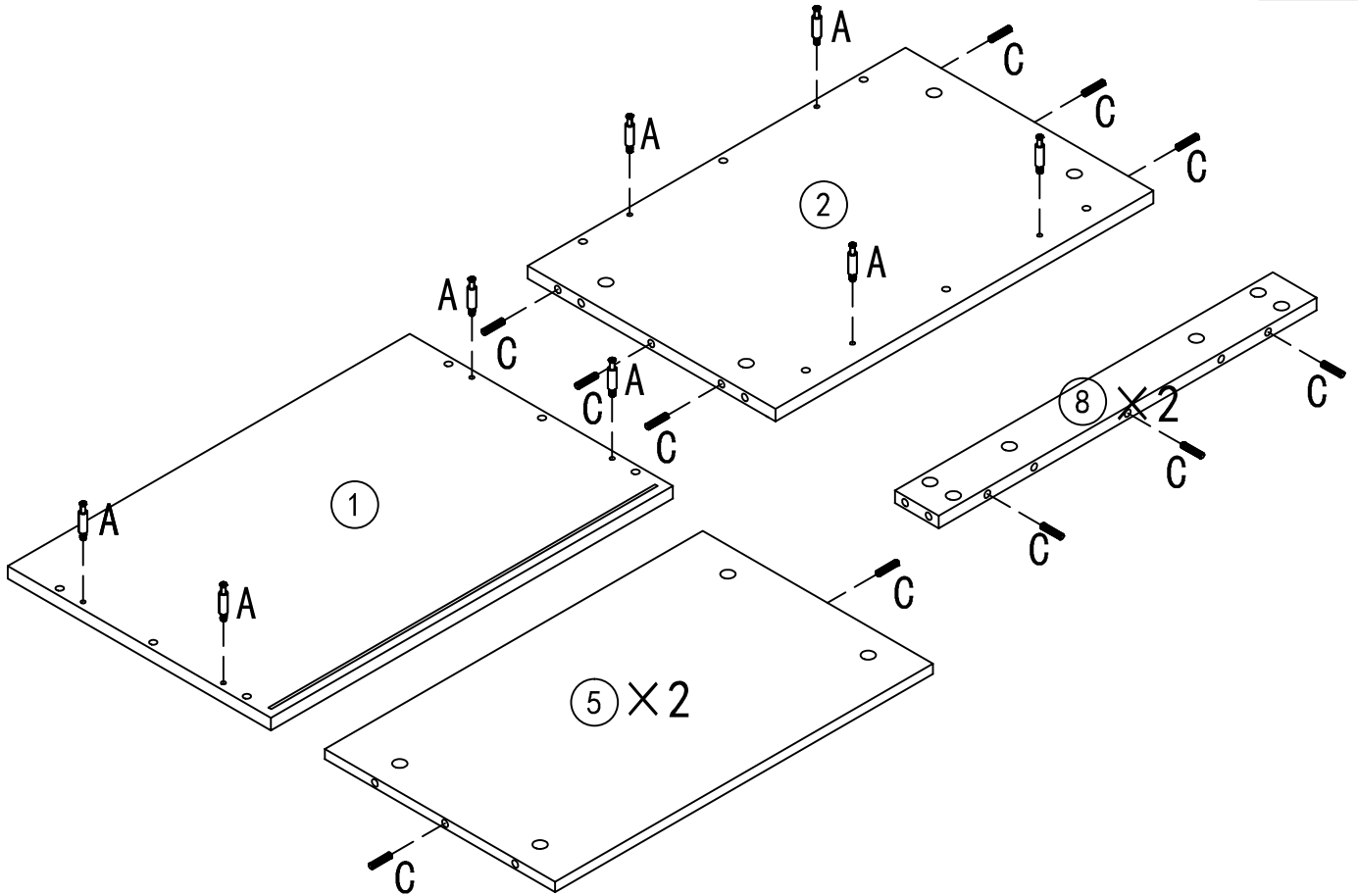



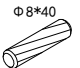
A 36PCS 	B 36PCS $\Phi 15 \times 11$ 	C 22PCS $\Phi 8 \times 40$ 	D 36PCS $M3.5 \times 14$ 	E 2PCS 
F 6PCS 	G 16PCS 	H 12PCS 	J 2PCS 	

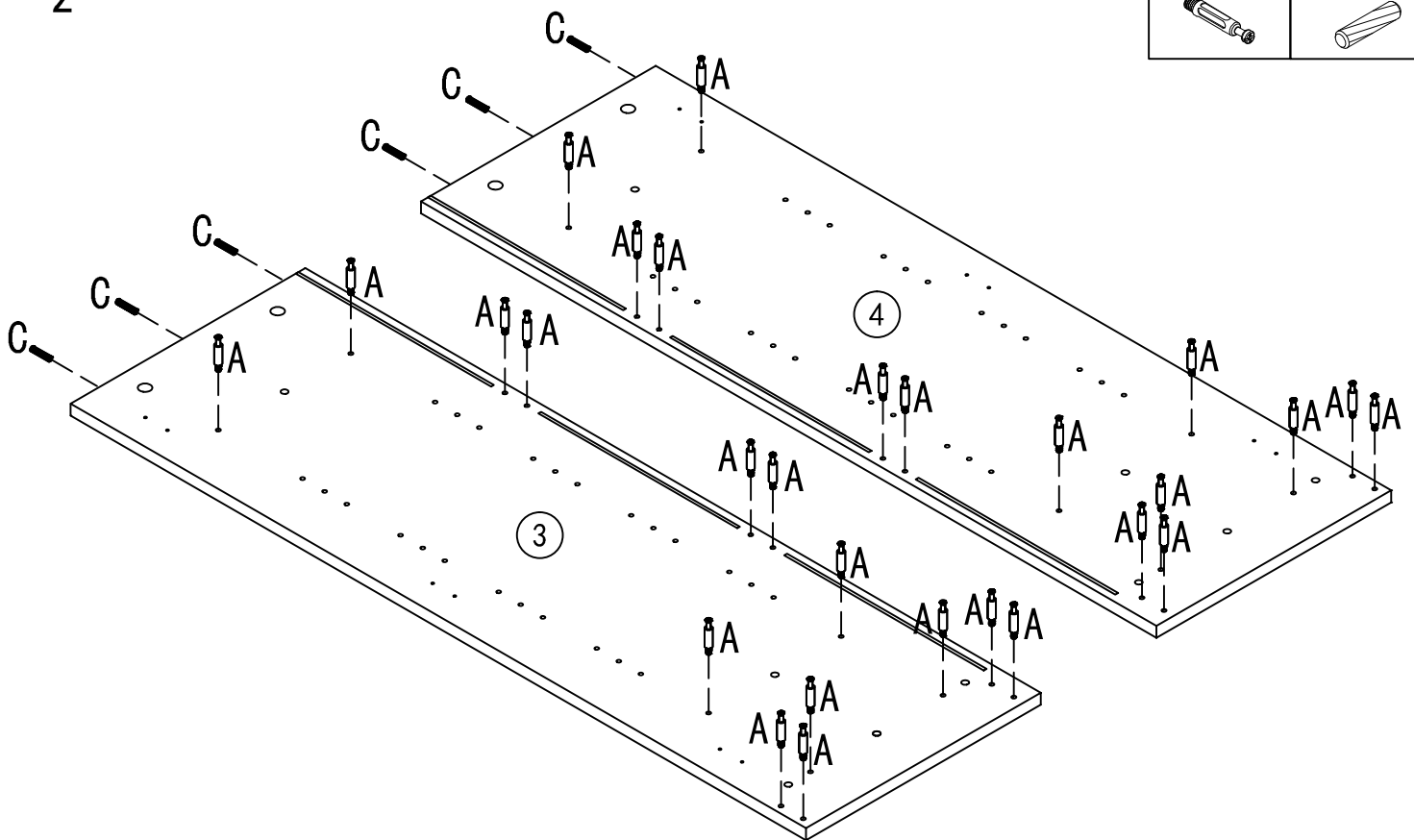
1

A	8PCS	C	16PCS
			



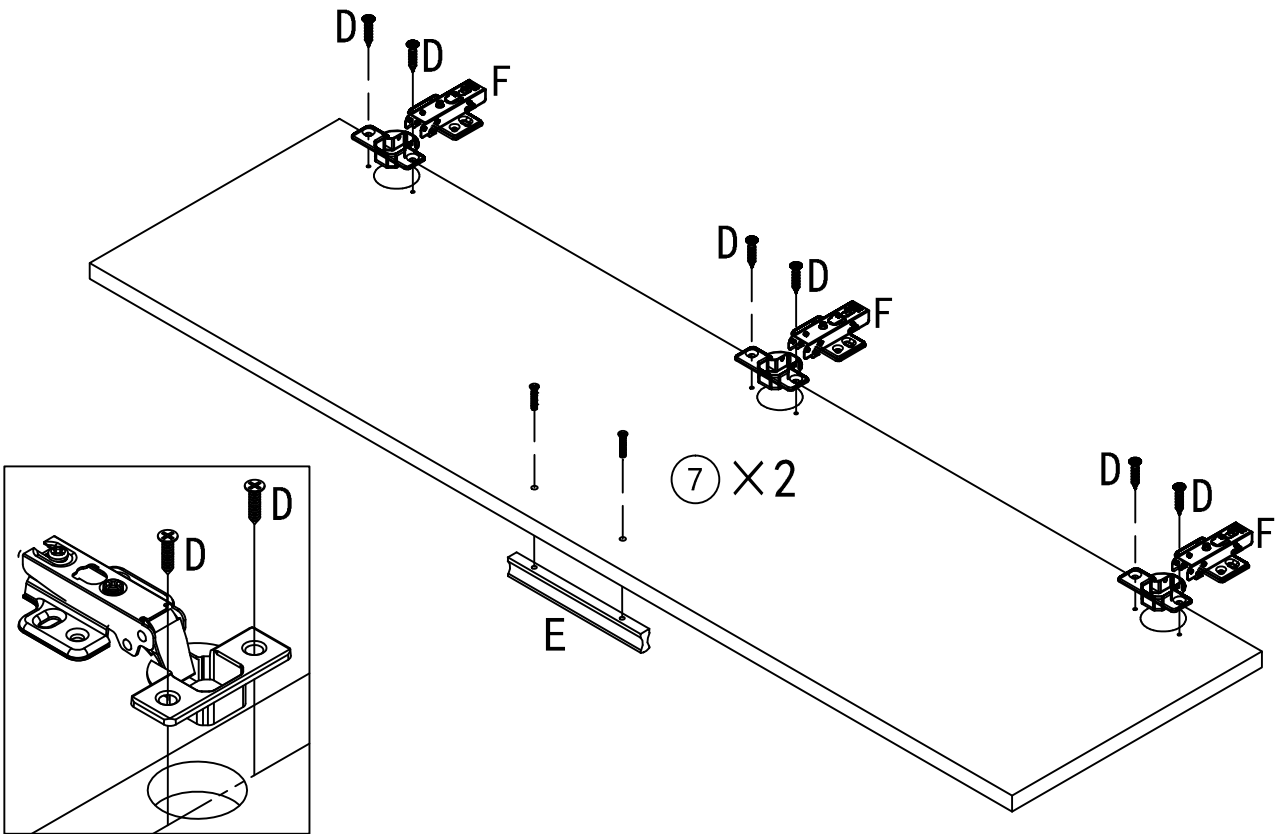
2

A	28PCS	C	6PCS
			



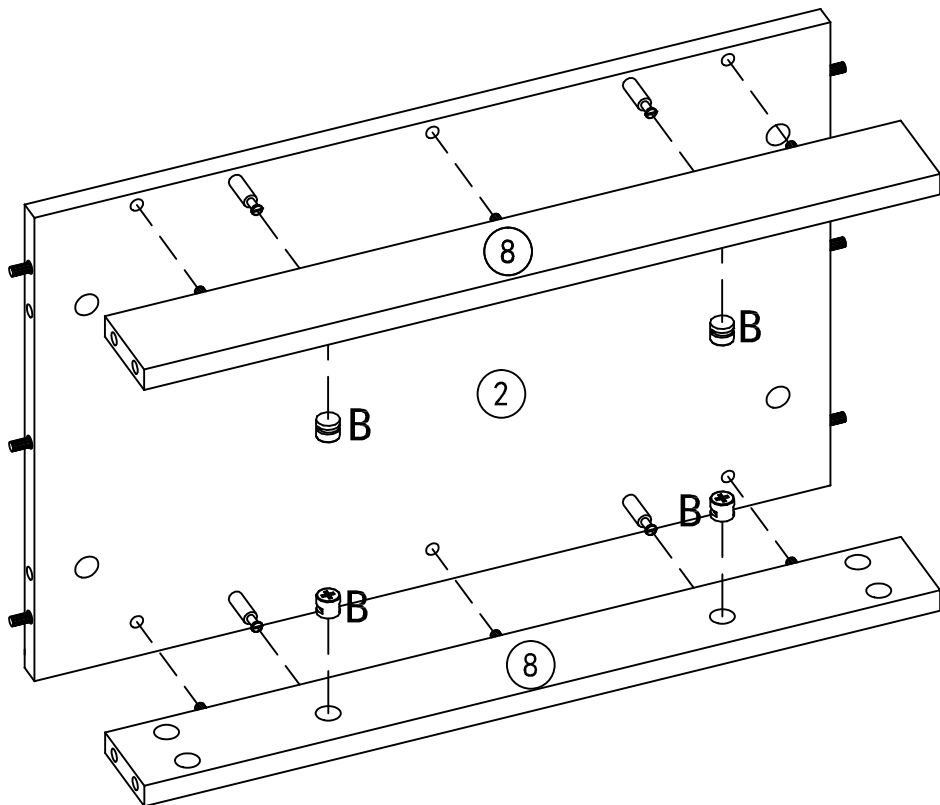
3

D	12PCS M3.5*14	E	2PCS	F	6PCS
---	------------------	---	------	---	------




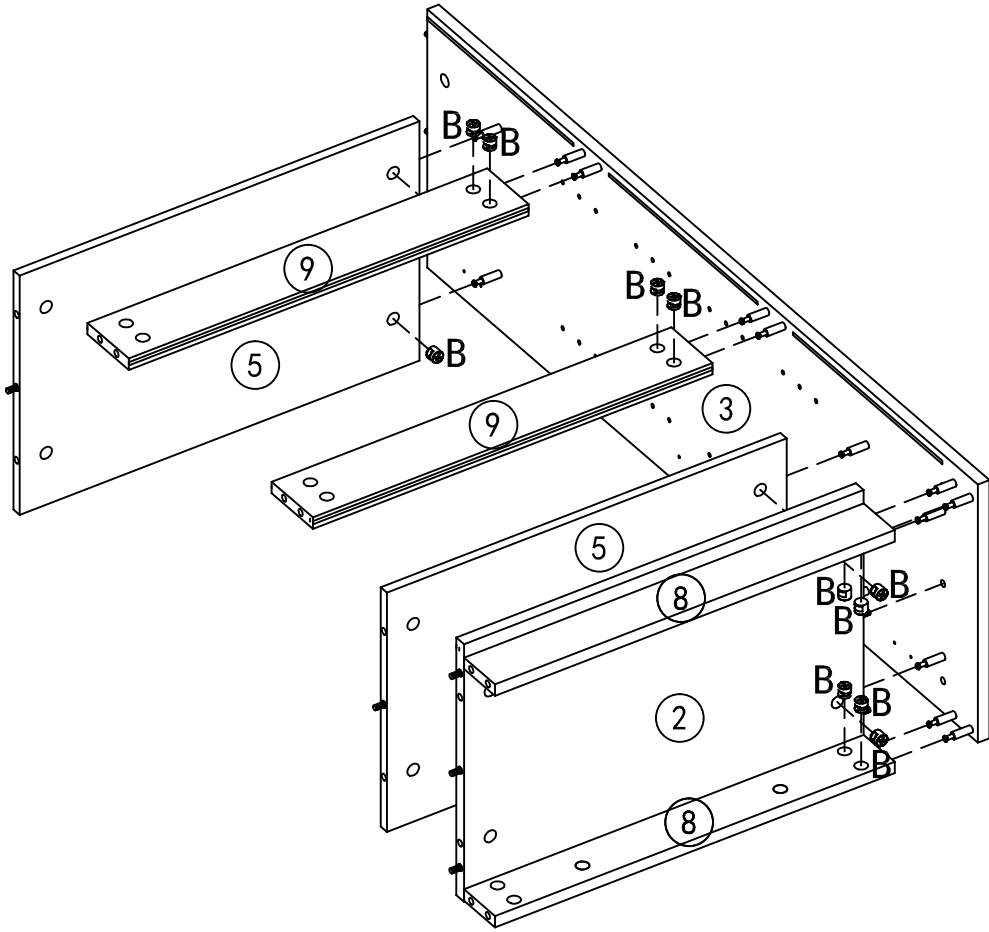
4

B	4PCS Φ15*11
---	----------------

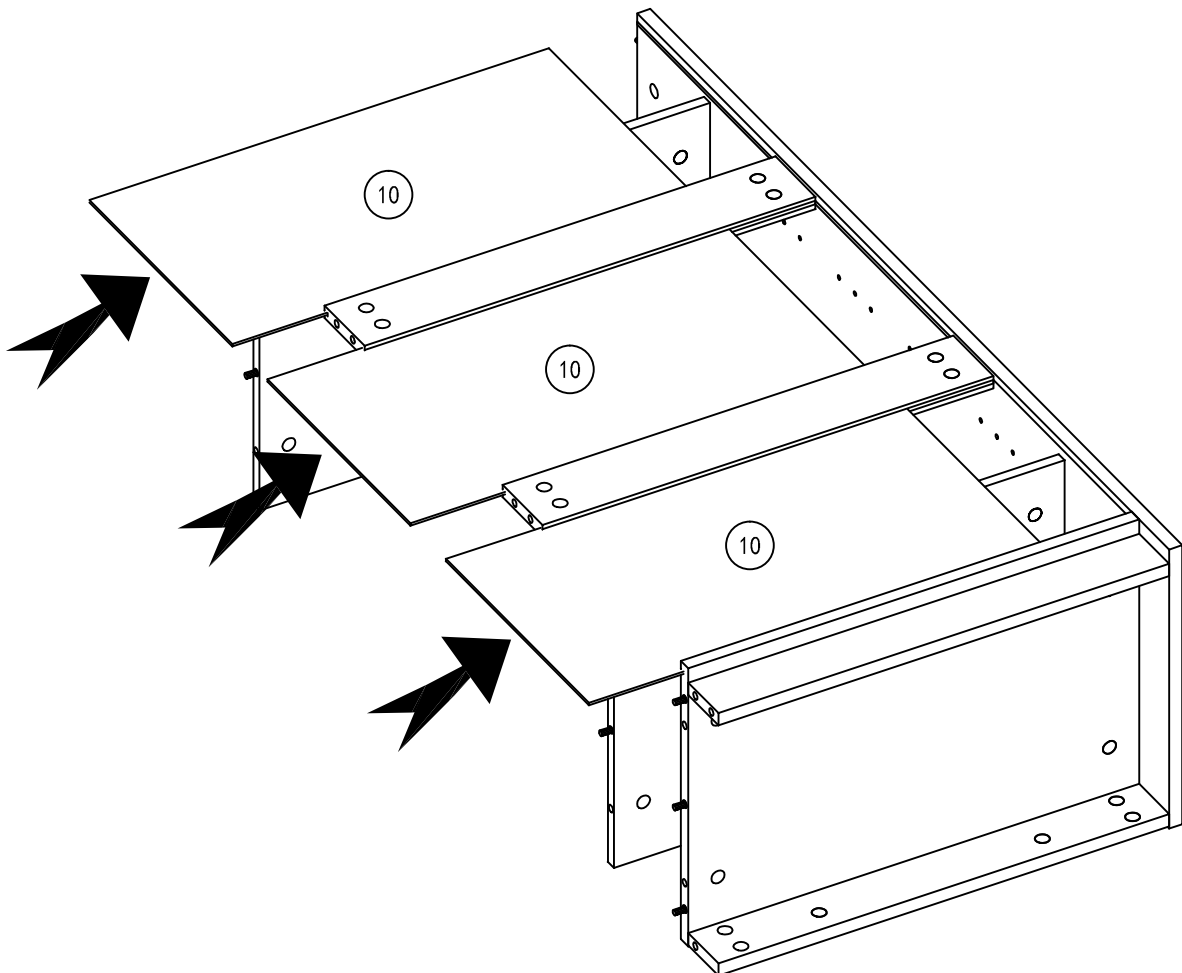


5

B 14PCS
Φ15*11


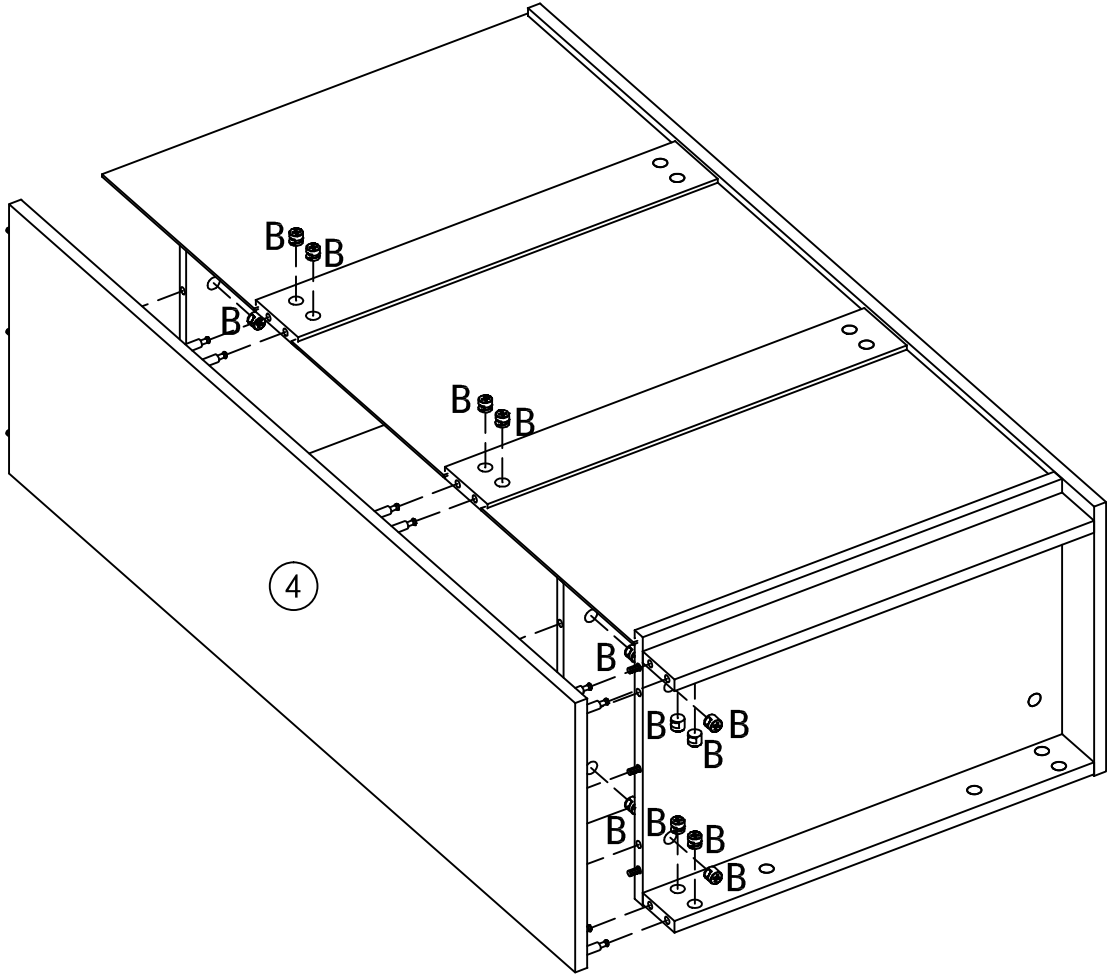


6



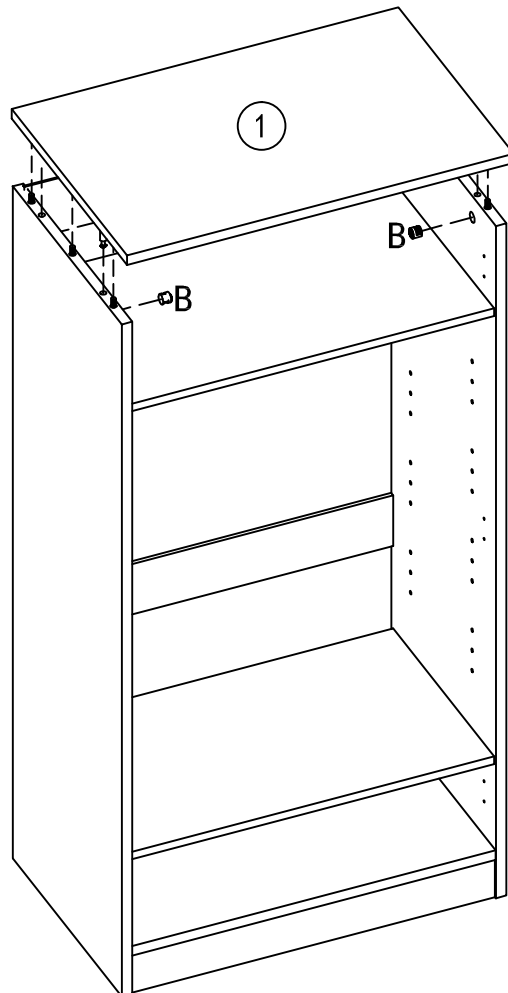
7

B 14PCS
Φ15*11



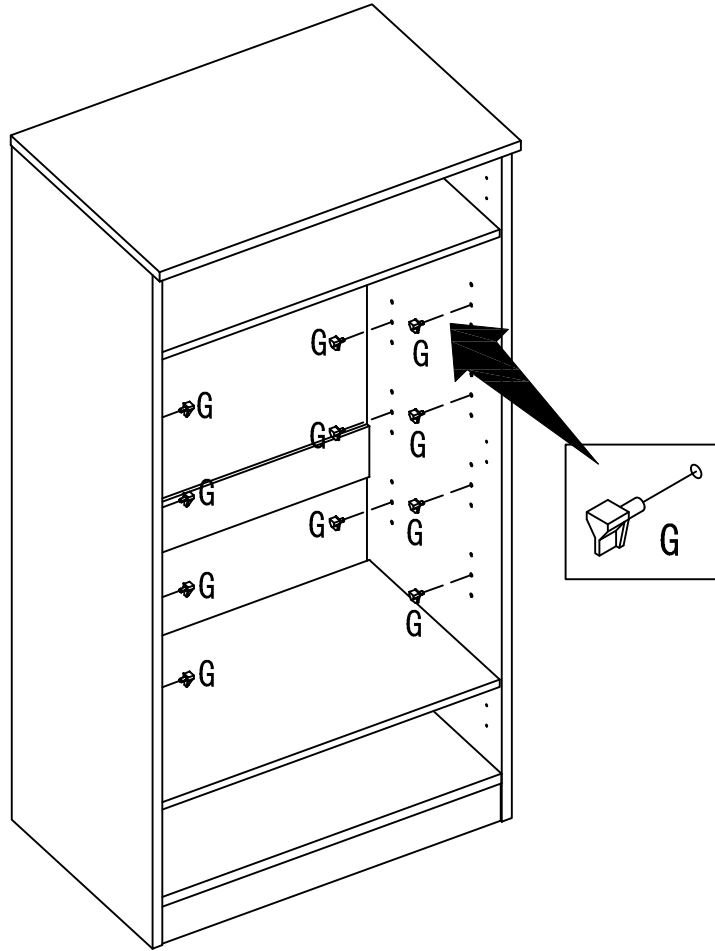
8

B 4PCS
Φ15*11

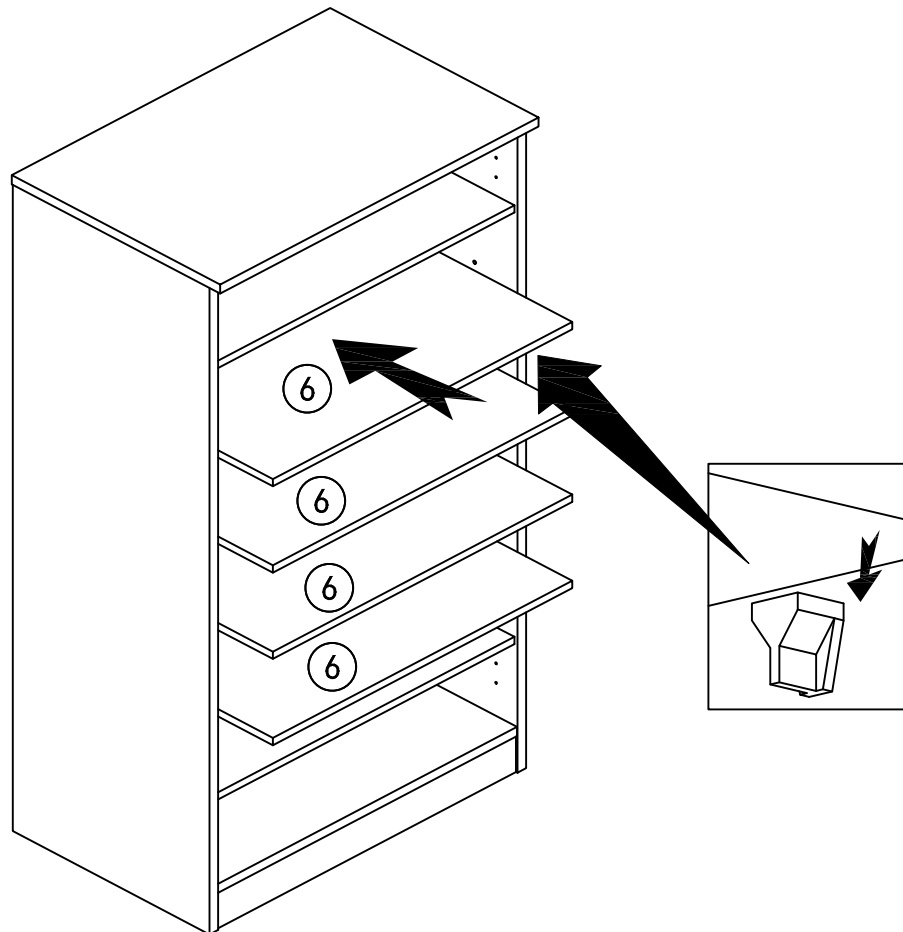


9

G 16PCS

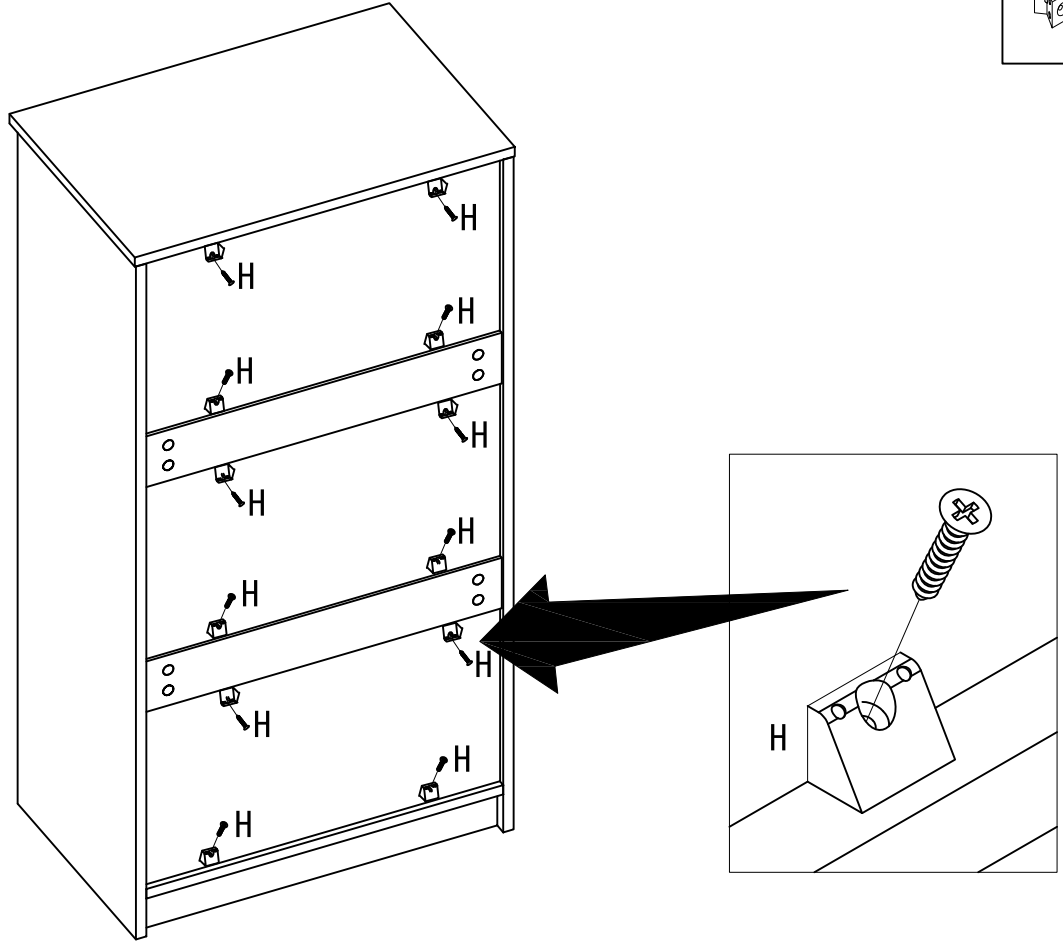


10



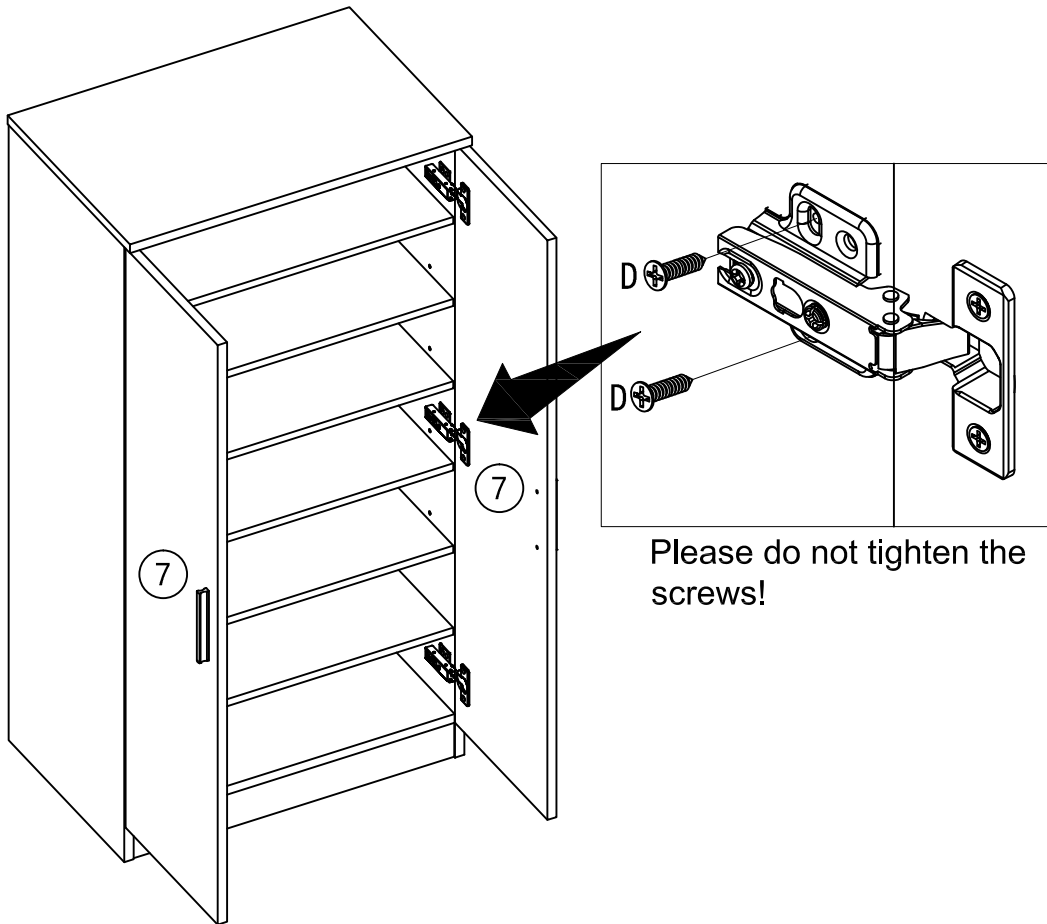
11

H 12PCS

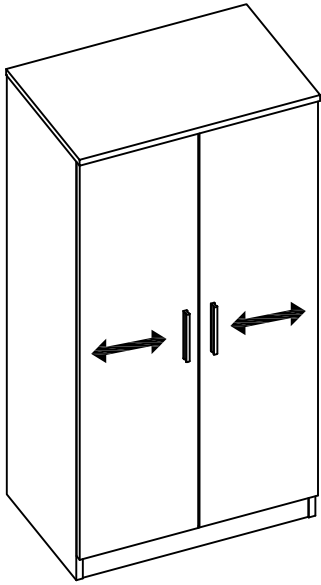


12

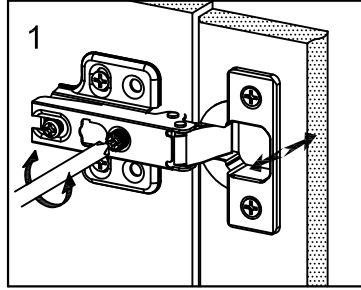
D 12PCS
M3.5*14



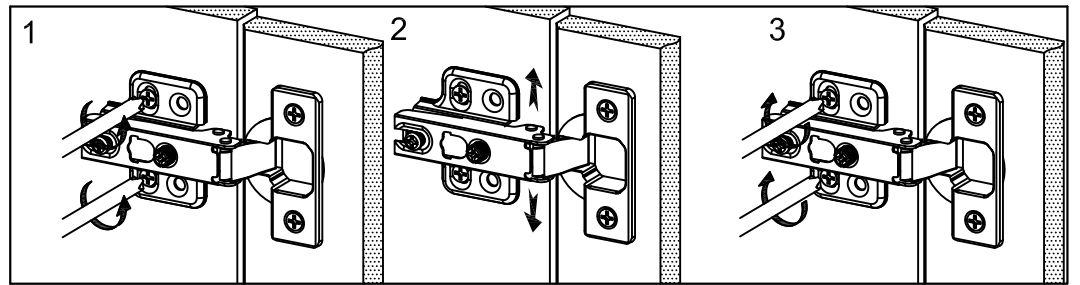
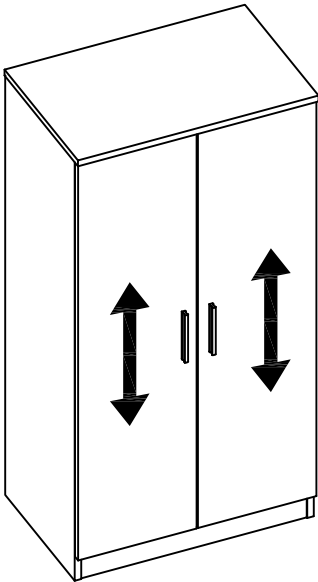
13



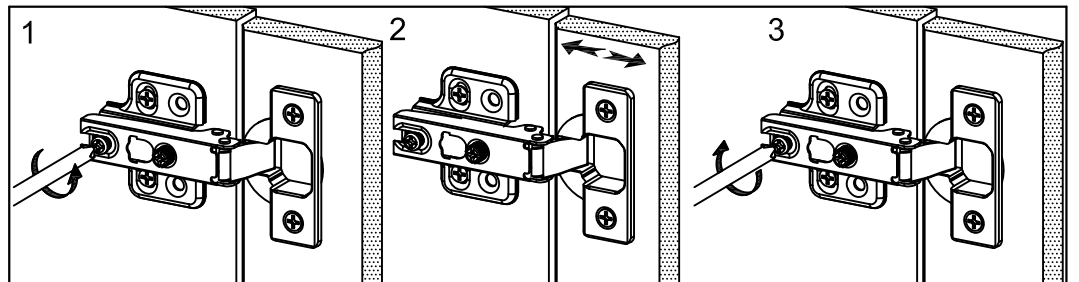
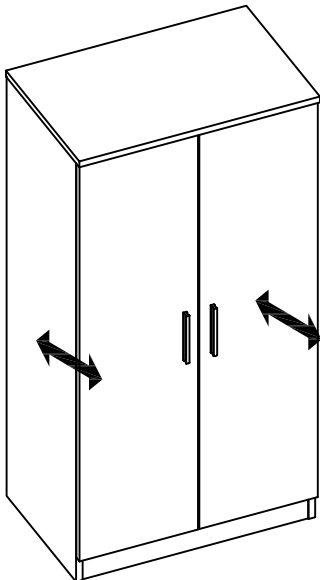
Adjusting the doors (Adjusting the hinges)



14

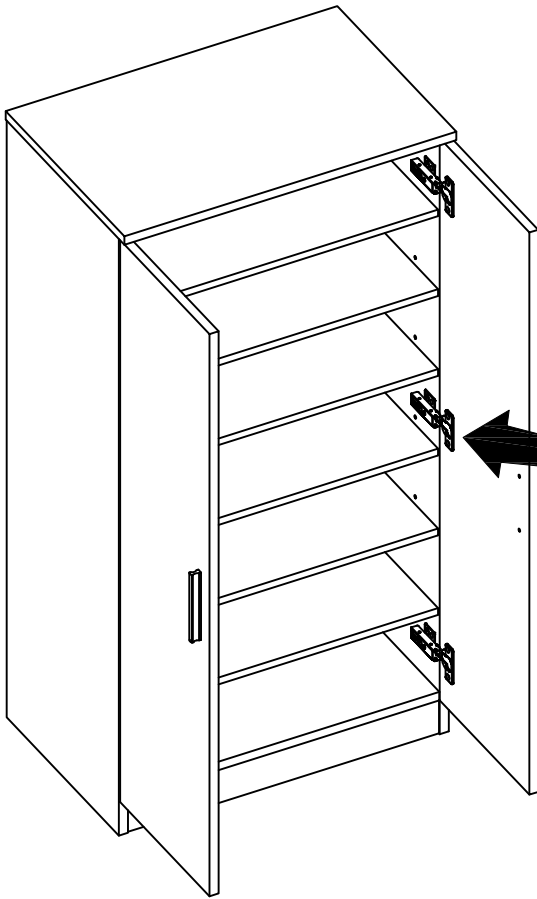



15

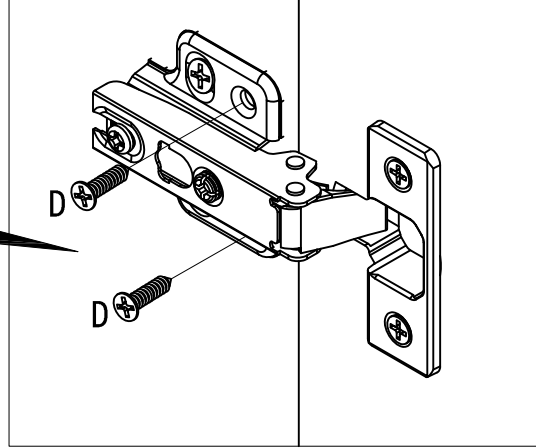


16

D 12PCS
M3.5*14



Before screwing the "D" screws make sure your doors are well adjusted.



17

J 2PCS

