



View Product

Outside Length: 75.5"
 Outside Width: 30.0"
 Bed Height: 16"
 Unit Weight: 41.1 lbs



Sunset Comfort Chaise Lounge

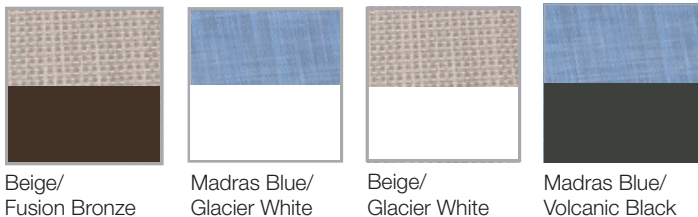
Product Specifications

Product Description	Reference Number	Color	UPC Code 014306	Pack Weight Each (lbs.)	Master Pack	Master Pack Volume (cu. ft)
Sunset Comfort Chaise Lounge	UT075599	Beige/Fusion Bronze	946801	47.67	12	114.64
	UT570599	Beige/Fusion Bronze	946801	51.18	2	31.92
	UT074096	Madras Blue/Glacier Wh	946771	47.67	12	114.64
	UT470096	Madras Blue/Glacier Wh	946771	51.18	2	31.92
	UT024096	Beige/Glacier Wh	944012	47.67	12	114.64
	UT420096	Beige/Glacier Wh	944012	51.18	2	31.92
	UT074288	Madras Blue/Vol Blk	946788	47.67	12	114.64
	UT470288	Madras Blue/Vol Blk	946788	51.18	2	31.92

Features & Benefits Warranty: 3 Yrs.

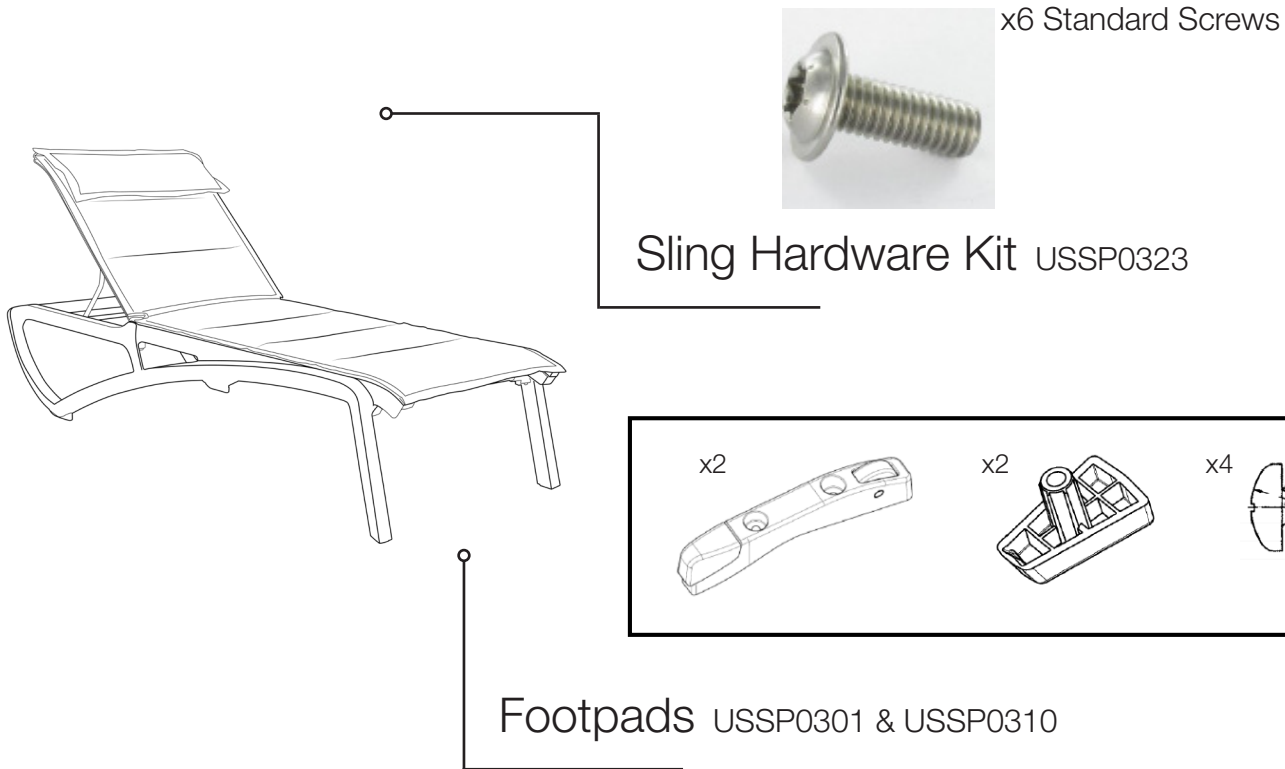
- Passes ASTM-B performance standard for commercial outdoor lounging
- Made of Grosfillex® new technopolymer with Air Molding Technology (AMT) to increase durability with the strength of metal
- Sophisticated and versatile: Perfect for relaxing in luxurious settings - from pools & spas to ski & beach resorts
- Additional comfort to the already luxurious Sunset chaise
- Sling dries ultra fast
- Rust & U.V. resistant - Easy to clean and to maintain
- Recessed wheels for ease of relocation
- Sling has Microban® anti-microbial treatment. Microban® is a registered trademark of Microban International, Ltd.
- Stacks for easy storage

The Comfort sling brings an added dimension of luxury to the Sunset chaise. Antibacterial and UV resistant sling. Dries ultra fast.



Sunset Comfort Chaise

Spare Parts



Reference	Description
USSP0301	FOOTPADS SET SUNSET CHAISE NATURAL
USSP0310	FOOTPADS SET SUNSET CHAISE BLACK
USSP0323	REPL SLING HDW KIT SUNSET BDS