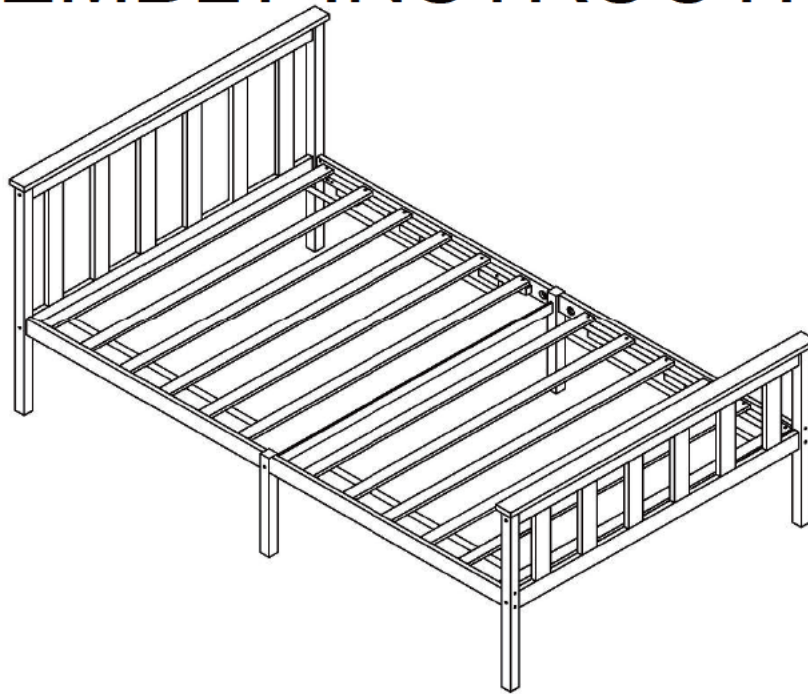



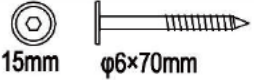


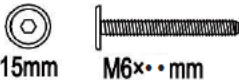
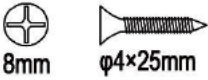






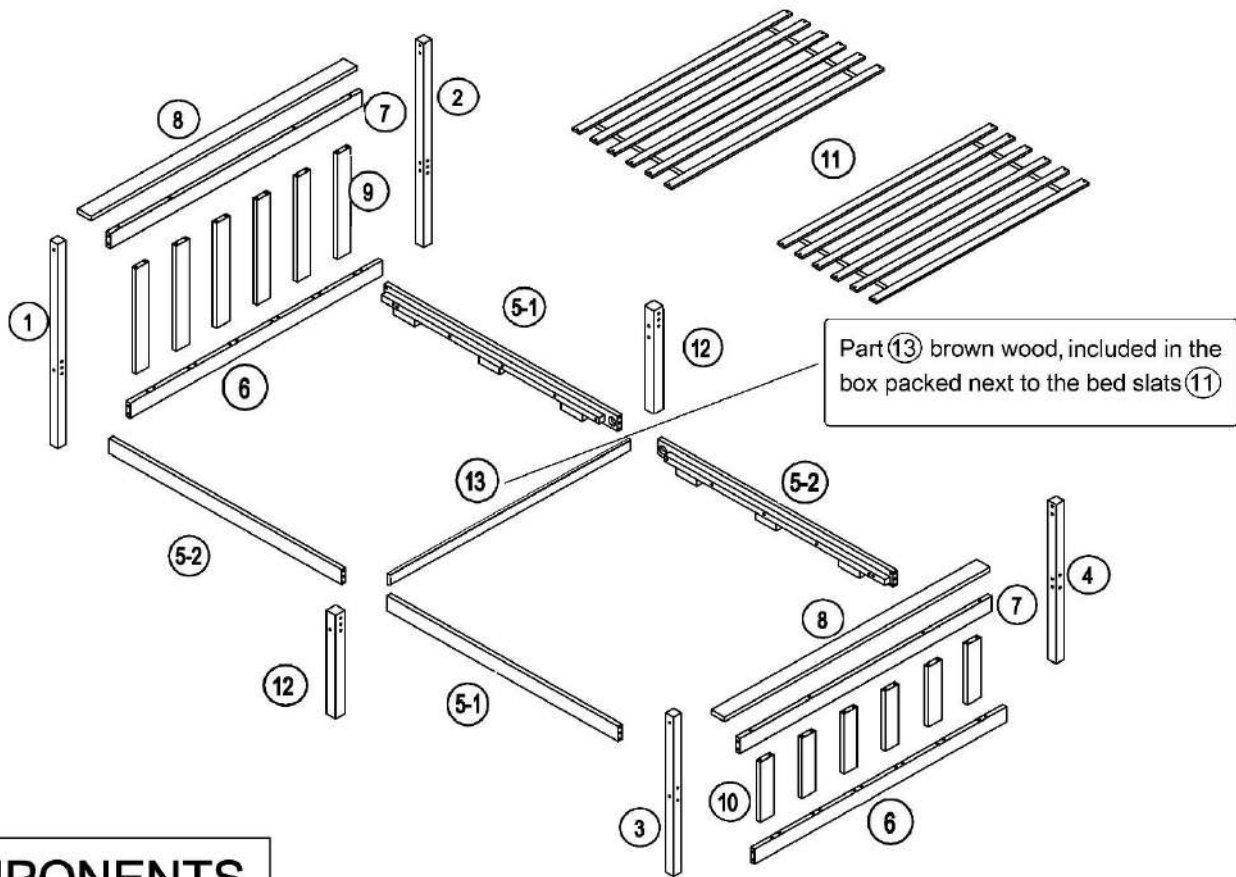
ASSEMBLY INSTRUCTIONS



HARDWARE

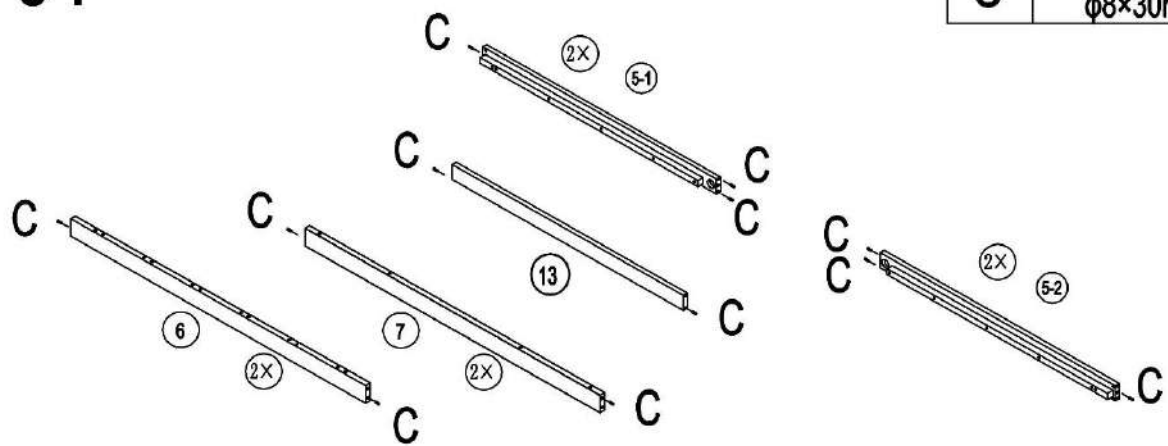
A	 φ6×30mm	48
B		8
C	 φ8×30mm	22
D	 15mm φ6×70mm	10
J	 M6×120mm	2
L		4

E	 15mm M6×••mm	14
G	 8mm φ4×25mm	24
H		1
I	 Screw driver(not provided)	1
K	 NUT M6	4
M	 Spanner	2



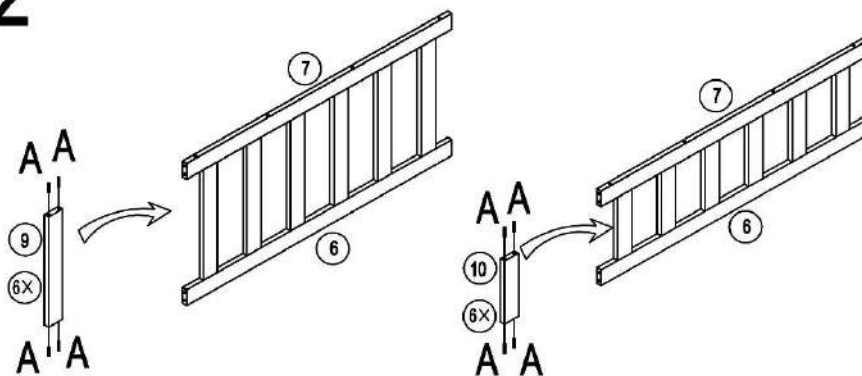
COMPONENTS

01




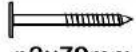
C	 $\phi 8 \times 30 \text{mm}$	22
---	--	----

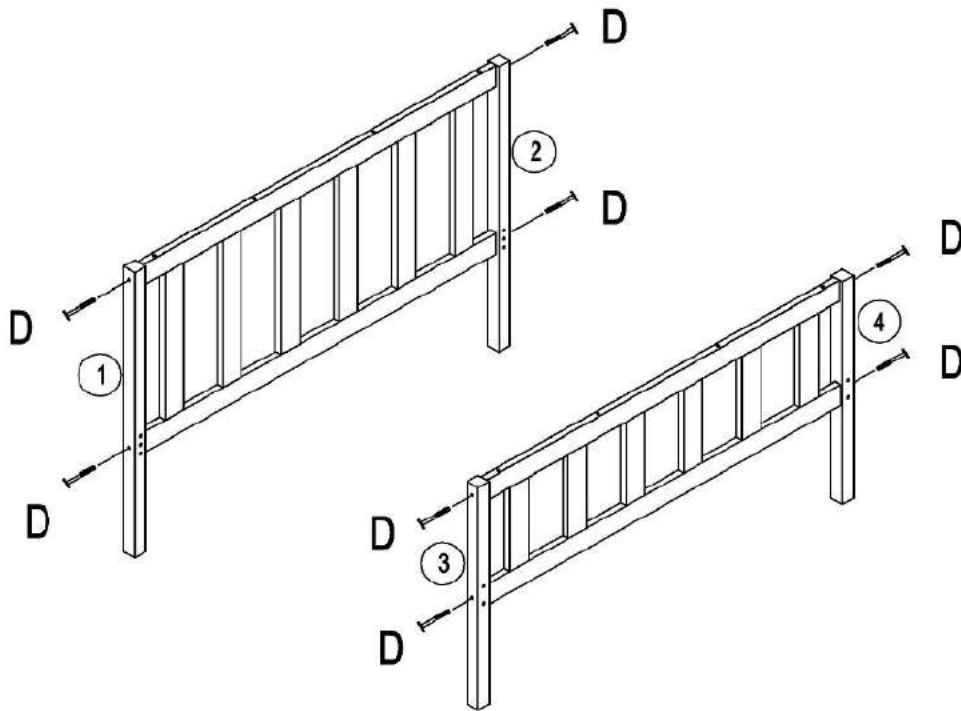
02




A	 $\phi 6 \times 30 \text{mm}$	48
---	--	----

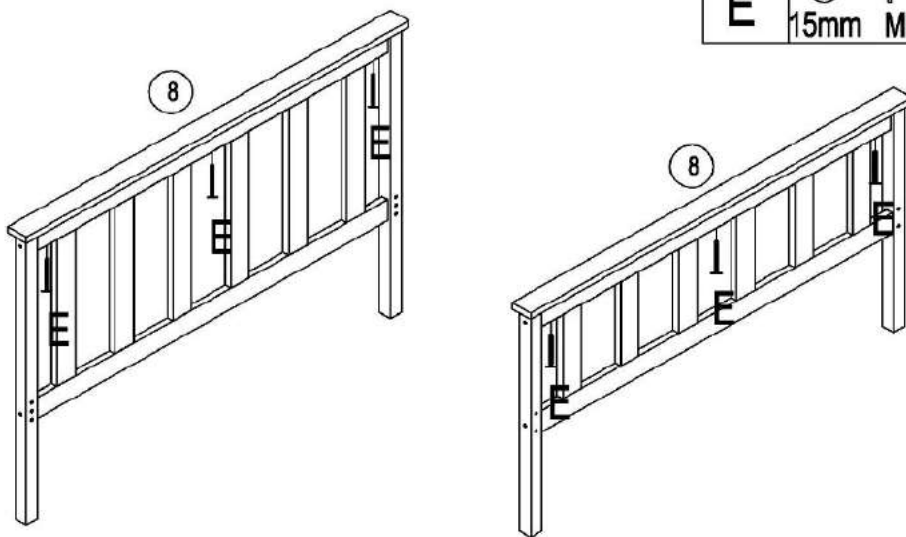
03

D			8
	15mm	φ6×70mm	


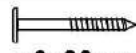


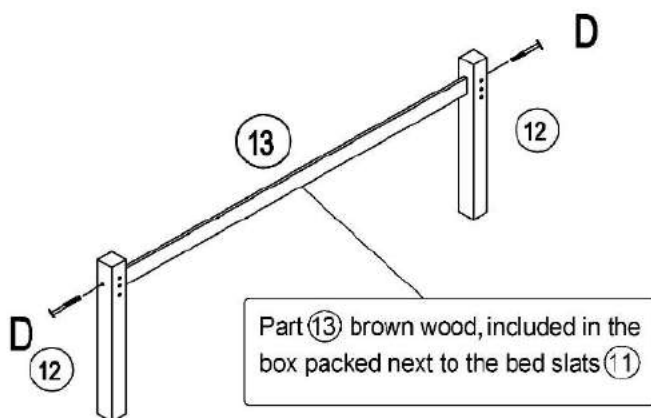
04

E			6
	15mm	M6×65mm	




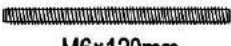





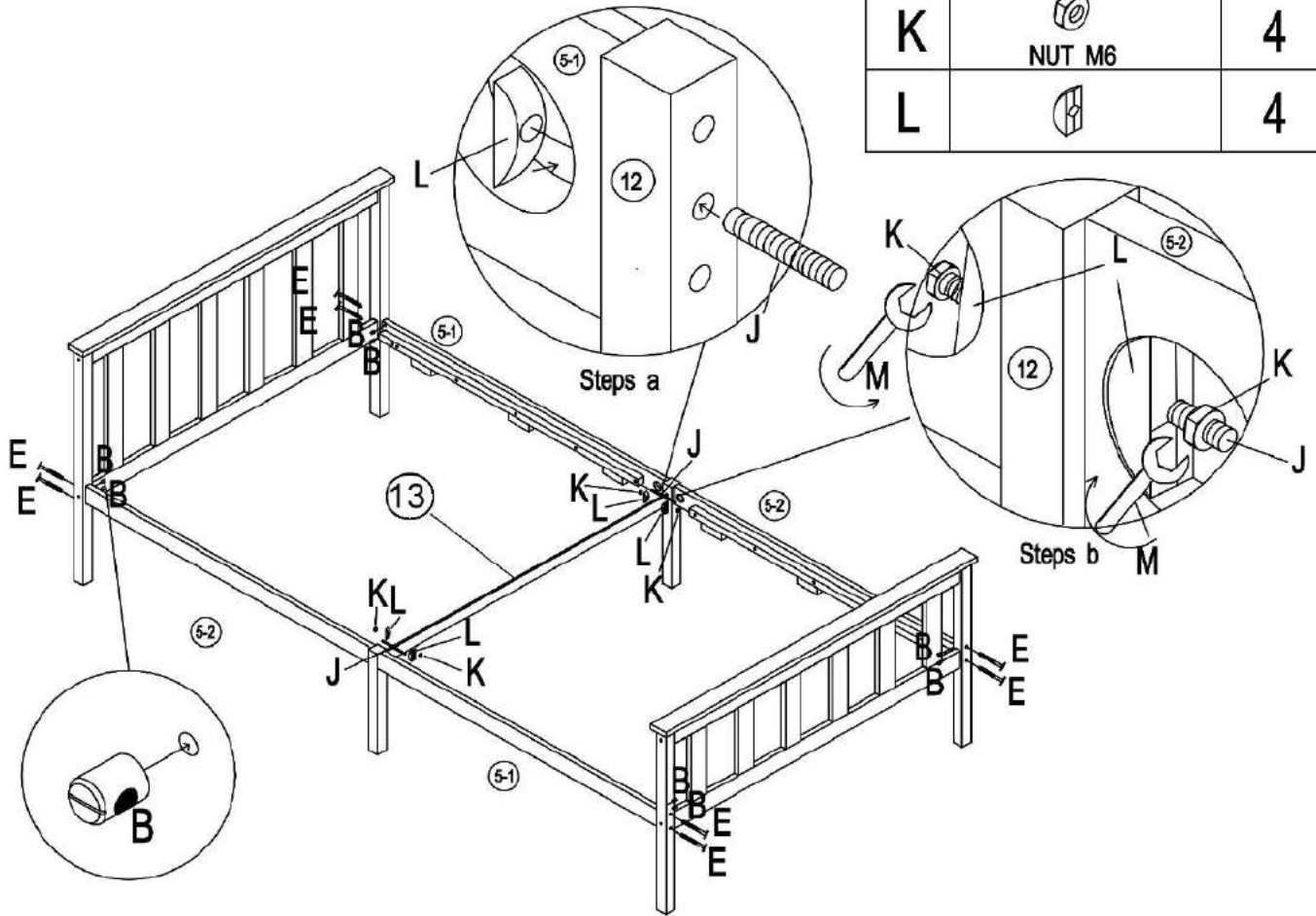
05

D			2
	15mm	φ6×80mm	



06

M	 Spanner	2	E	 15mm	 M6×65mm	8
J	 M6×120mm	2	B			8
K			K	 NUT M6		4
L			L			4



07

G	 8mm	 $\phi 4 \times 25 \text{mm}$	24
---	---	--	----

