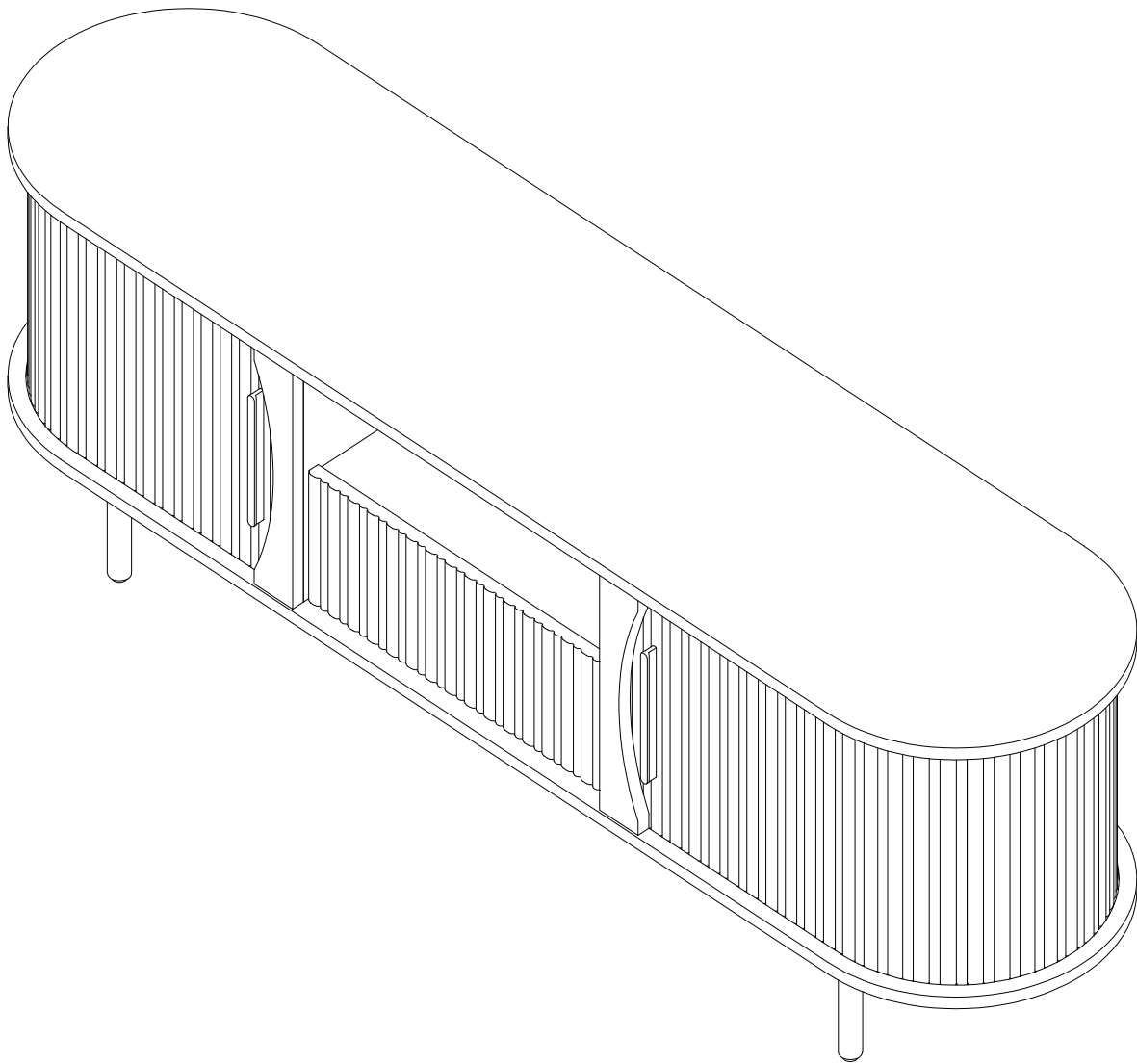


# USER MANUAL

Thank you for choosing us.



# General Guidelines

- Please read the following instruction carefully and use the product accordingly.
- Please keep this manual and hand it over when you transfer the product.
- This summary may not include every detail of all variations and considered steps.
- Please contact us when further information and help are needed.

## Notes

- The product is intended for indoor use only. The product must be assembled and used in accordance with the provisions of the manual. Personal injury and/or damage to product may occur if products are used outside of their intended purposes and/or if products have been changed/modified from their original design. The seller does not assume any responsibility or liability with respect to any injury/damage caused by incorrect assembly or improper use.
- Avoid long-term exposure to humid environments to prevent mildew
- Keep the product away from fire sources and high temperatures. Do not expose the product to direct sunlight.
- Do not place any hot objects on the surface of the product.
- If there are any defective or missing parts after unpacking, please cease assembly immediately and contact us.
- Please assemble the item on a spacious surface and do not place the unwrapped product directly on the ground to avoid product damage.
- Please do not stand or sit on the wooden boards.
- Please wear gloves during the assembly and/or disassembly process to avoid scratches from any sharp edges.
- Please match the corresponding part and fitting based on the part number in the manual.
- If the part does not match with the fitting, please check the piece as specified in this manual.
- During assembly, first loosely align all screws with the corresponding pre-drilled holes and then tighten the screws one by one.
- Periodically inspect screw tightness while the product is in use. If necessary, retighten to ensure structural integrity.
- If you accidentally spill water or another liquid on the surface, immediately wipe clean with a dry towel.
- Please keep the product away from sharp, pointed objects and corrosive substances to prevent product damage.
- Please place this item on level, solid ground during use.

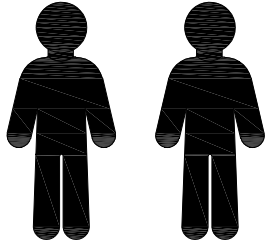
## Warnings

- Children are not allowed to assemble the product. During assembly, keep all small parts out of the reach of children as they may be fatal if swallowed or inhaled.
- Children are forbidden to climb or play on the product to avoid serious bodily injury caused by the toppling.
- Keep plastic packing bags out of reach of children to avoid any potential danger, such as suffocation.
- We have equipped some high-sized products with anti-dumping accessories. Please fix the product to the wall to prevent personal injury caused by accidental dumping.

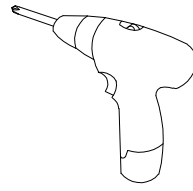
## Tips-contact us

- If there is any damage after unpacking or you have any questions during assembly, please feel free to contact us at your earliest convenience. Our customer care team provides professional returns or exchanges as well as assembly guidance.

# Required

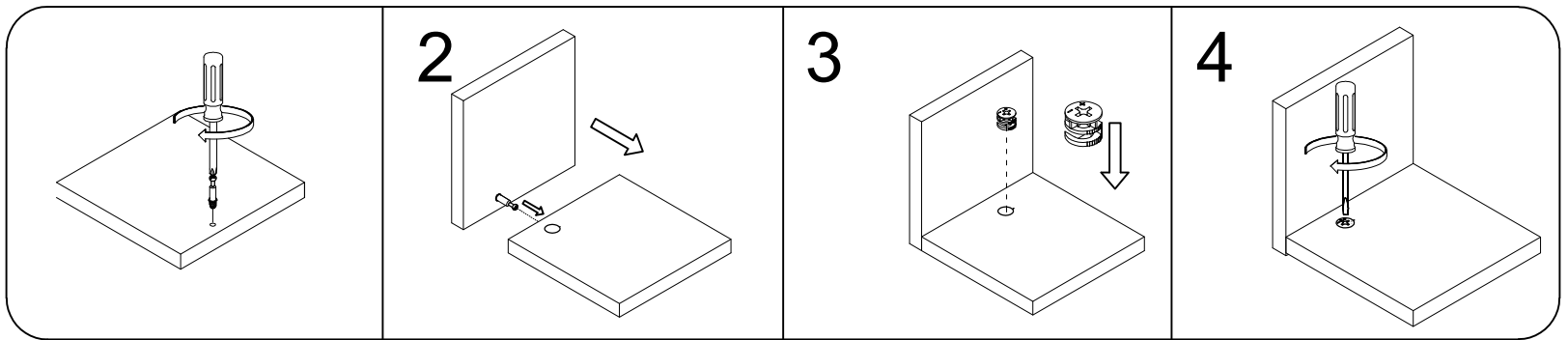


2 PERS

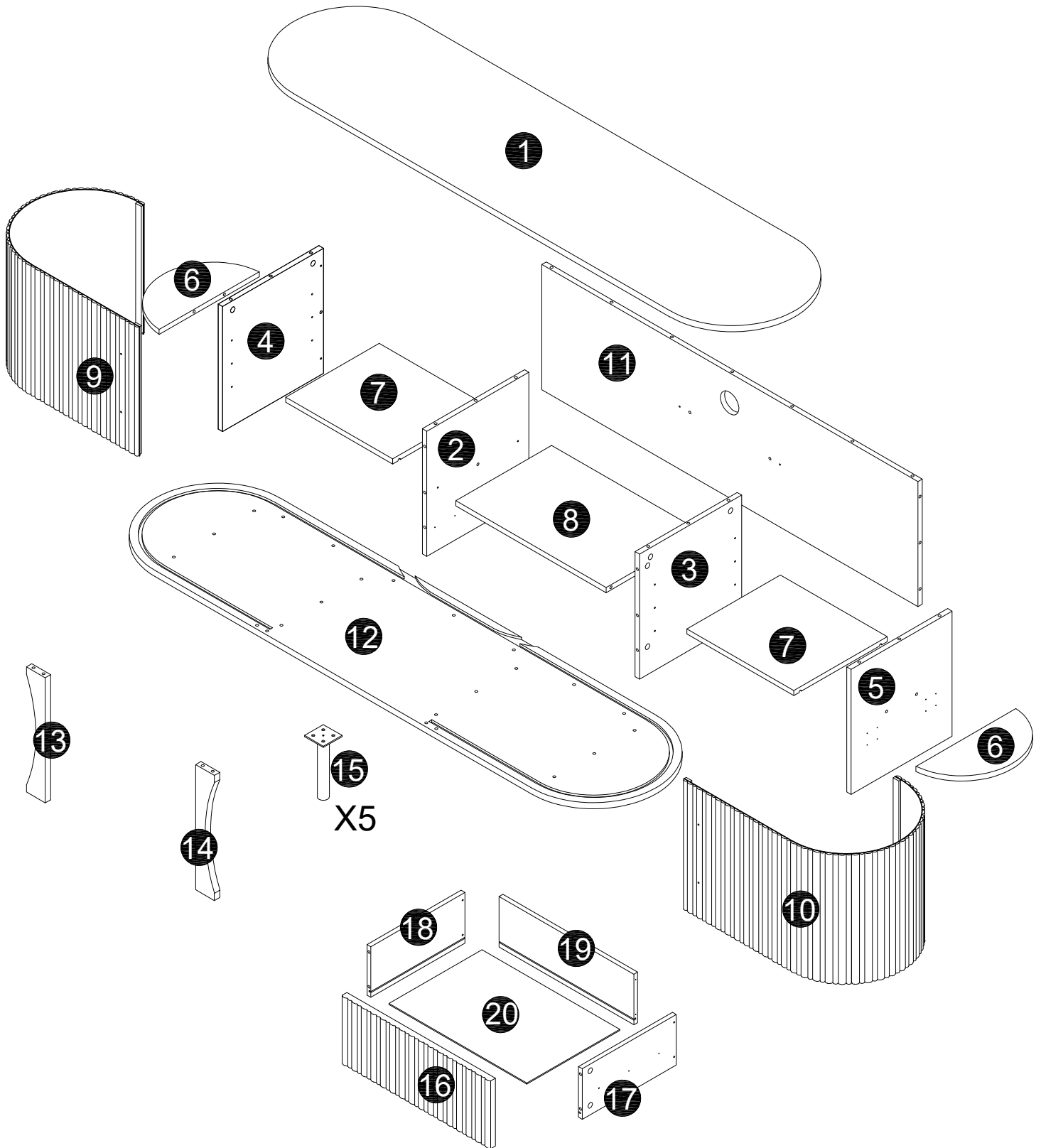


## Cam Lock Fastening System

Insert the cam bolt into the hole first, then insert the cam lock and lock it.

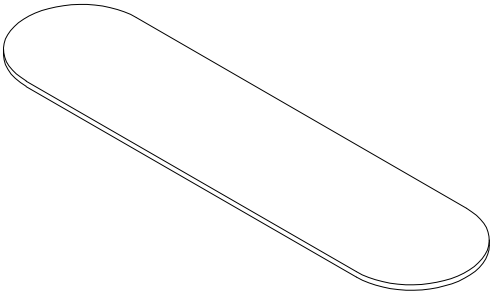


# Disassembly Diagram



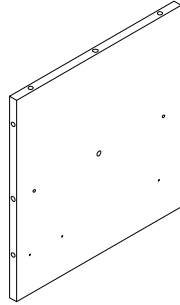
# Parts List

1



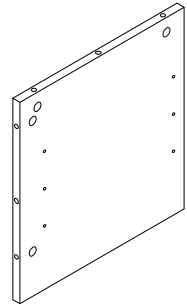
x1

2



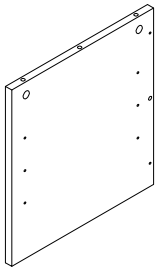
x1

3



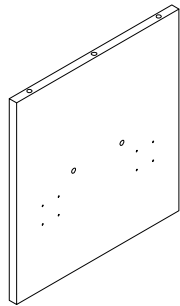
x1

4



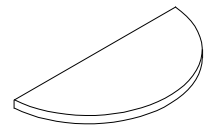
x1

5



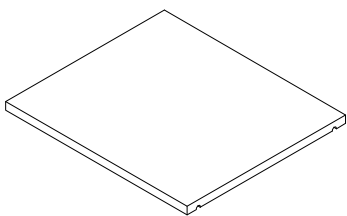
x1

6



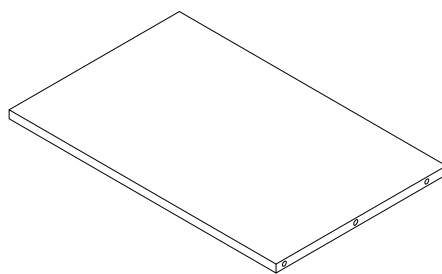
x2

7



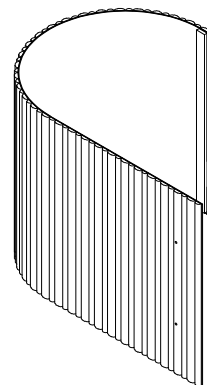
x2

8



x1

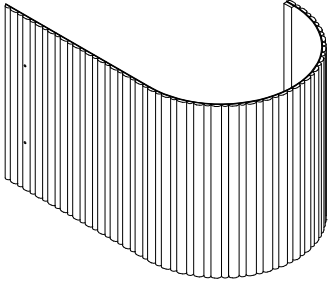
9



x1

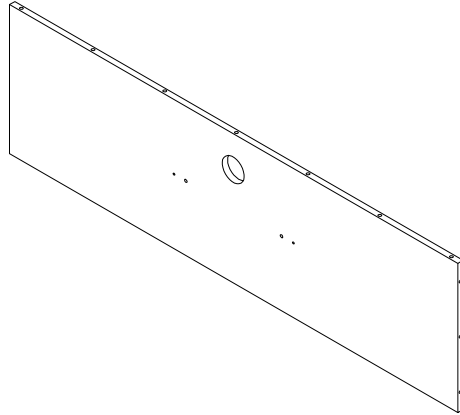
# Parts List

10



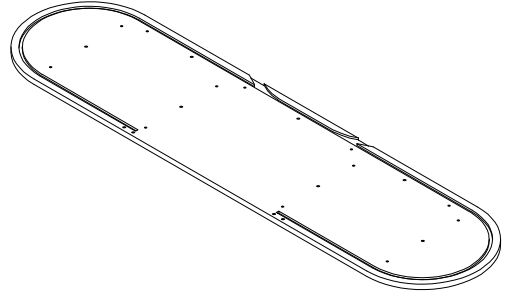
x1

11



x1

12



x1

13



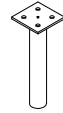
x1

14



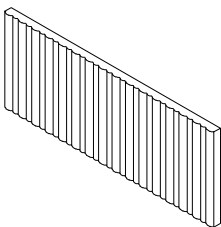
x1

15



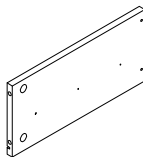
x5

16



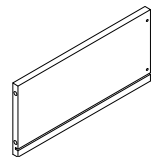
x1

17



x1

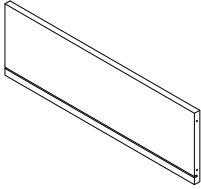
18



x1

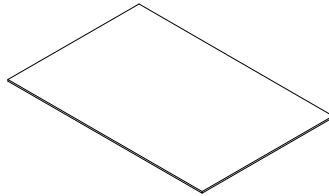
# Parts List

19



x1

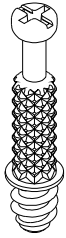
20



x1

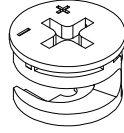
# Components Sheet

A Ø6\*35mm



x 31 (+2)

B Ø15\*9.5mm



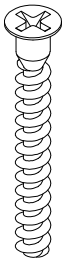
x 31(+2)

C Ø8\*30mm



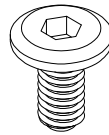
x 33(+2)

D Ø5\*50mm



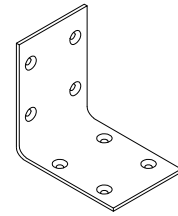
x 12 (+2)

E Ø1/4"\*12mm



x 20(+2)

F 70x70x49x2T



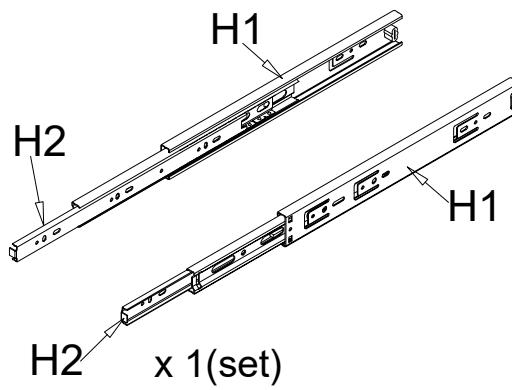
x 4

G Ø4\*12mm



x 32(+2)

H 12"



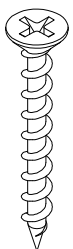
x 1(set)

I Ø3.5\*12mm



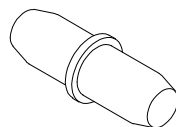
x 12 (+2)

J Ø4\*35mm



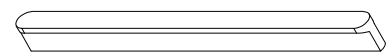
x 4

K Ø5\*14mm



x 8 (+1)

L L190\*160mm

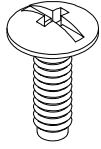


x 2

# Components Sheet

M

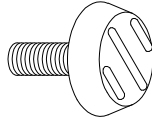
Ø5/32\*12mm



x 4

N

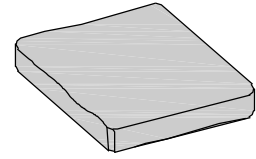
Ø23\*5mm\*1/4\*19mm



x 5

O

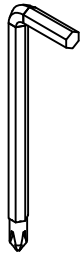
30\*30\*6mm



x1

P

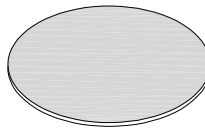
M4\*60mm



x 1

Q

Ø21mm

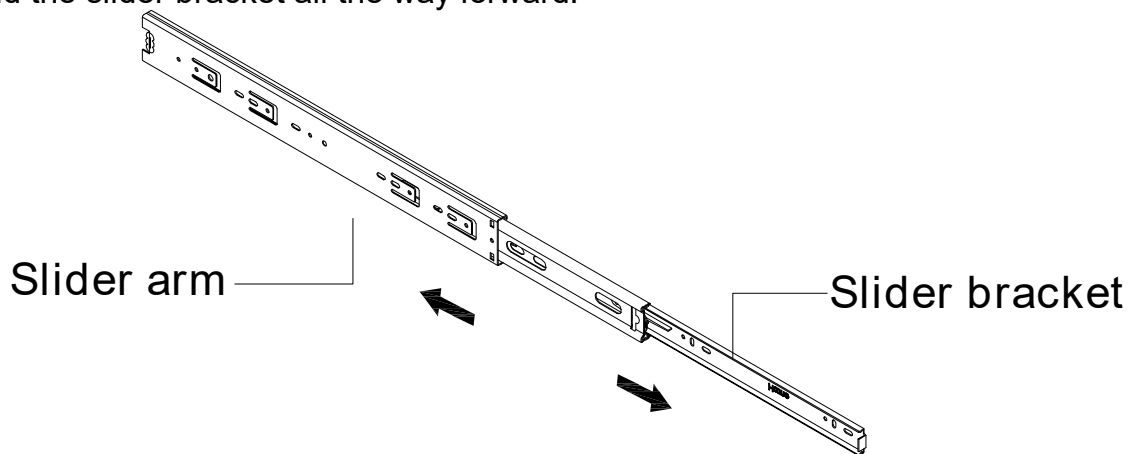


x 31 (+2)

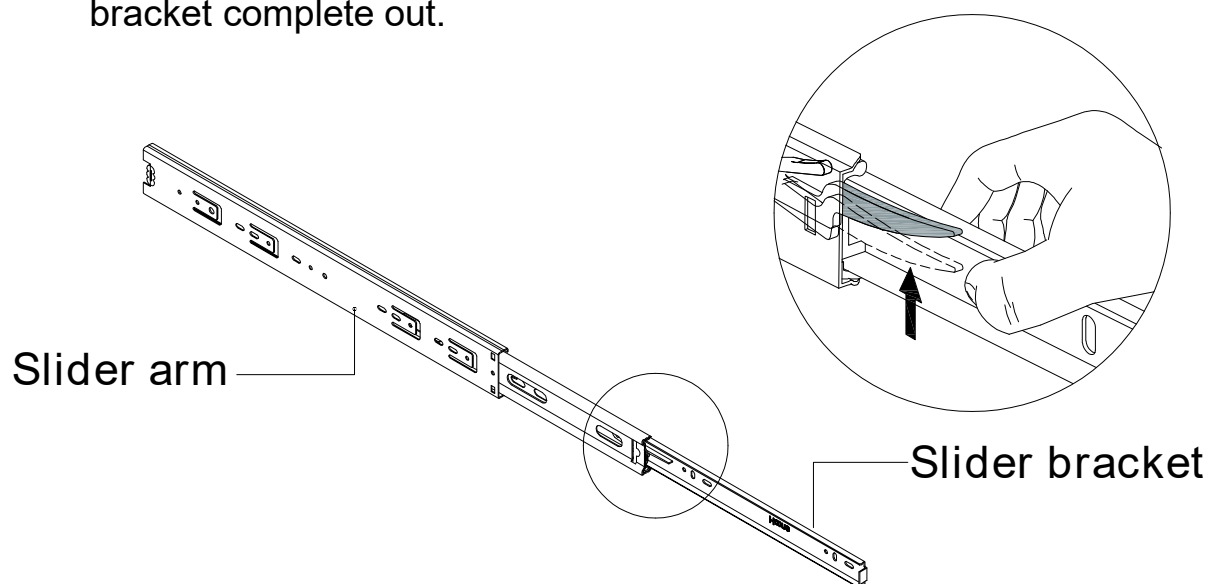
**▲Attention**

Note: This piece(N) comes preassembled for shipping purposes and must be disassembled to complete the desk assembly.

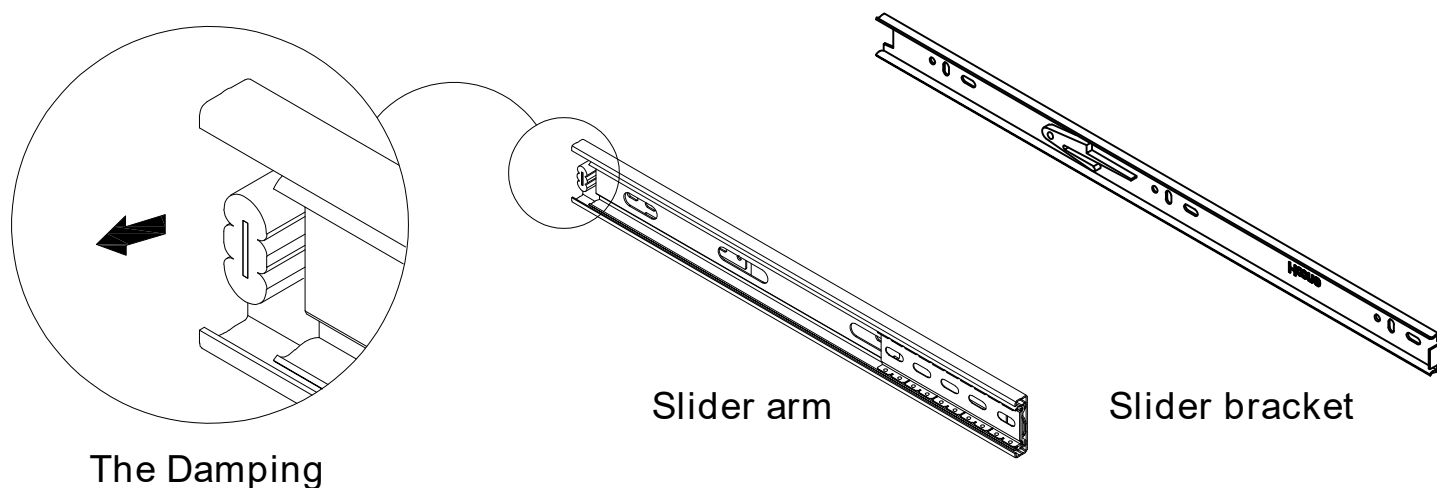
1). Extend the slider bracket all the way forward.




2). Press the plastic release lever of the slider arm up and pull the slider bracket complete out.




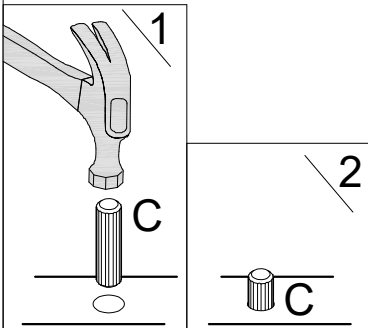
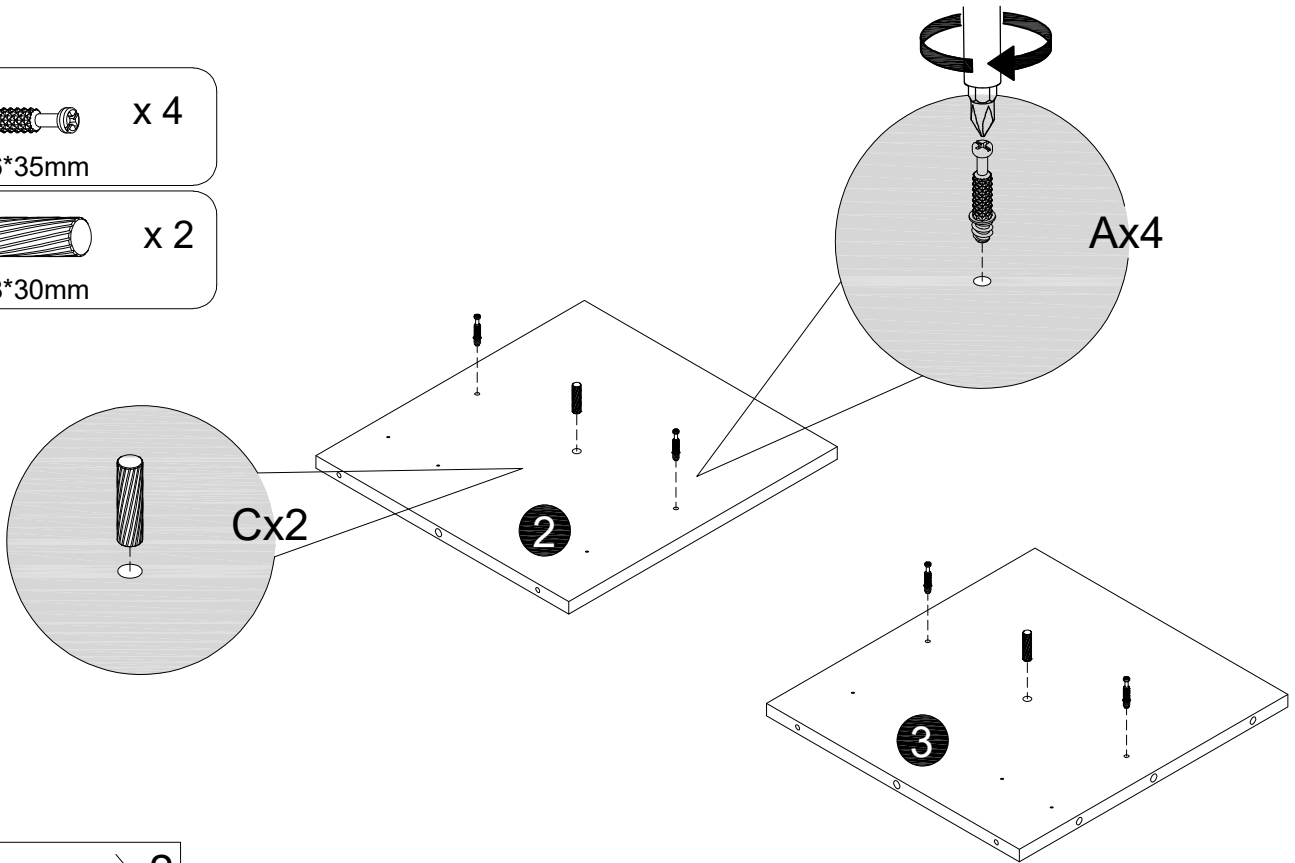
3). Decide whether to remove the damping according to the your actual usage habits.



1

A  x 4  
Ø6\*35mm

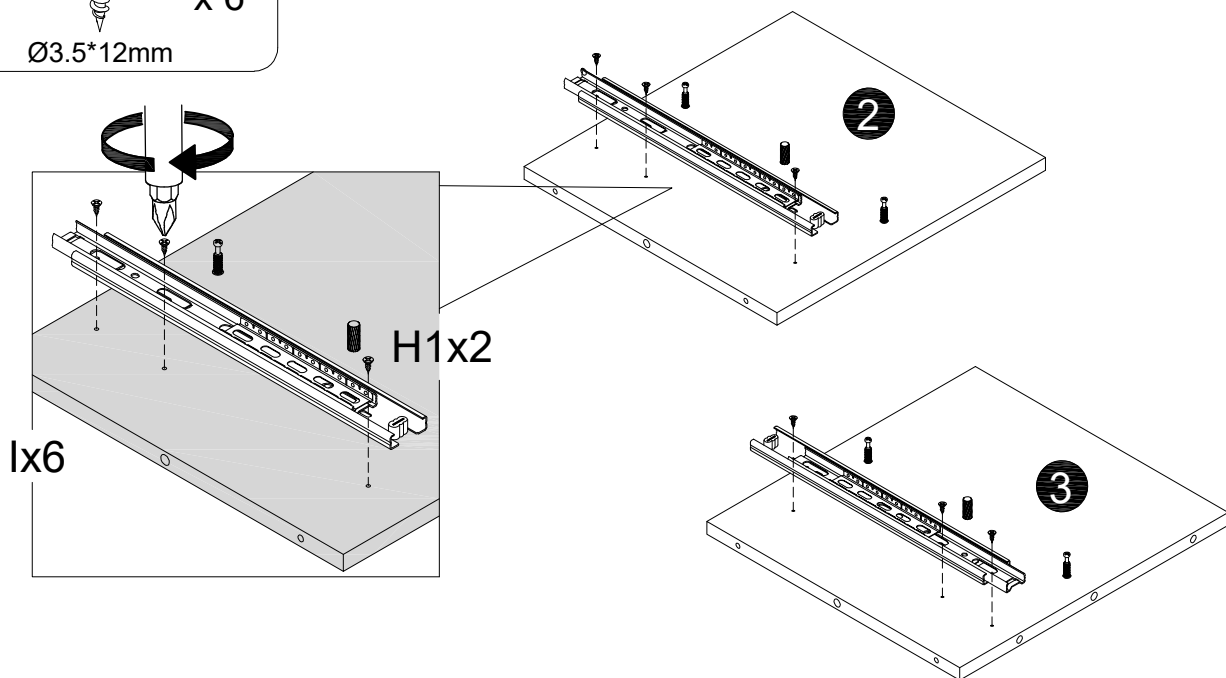
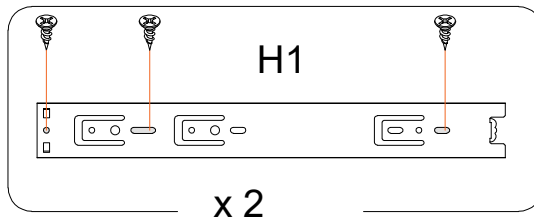
C  x 2  
Ø8\*30mm

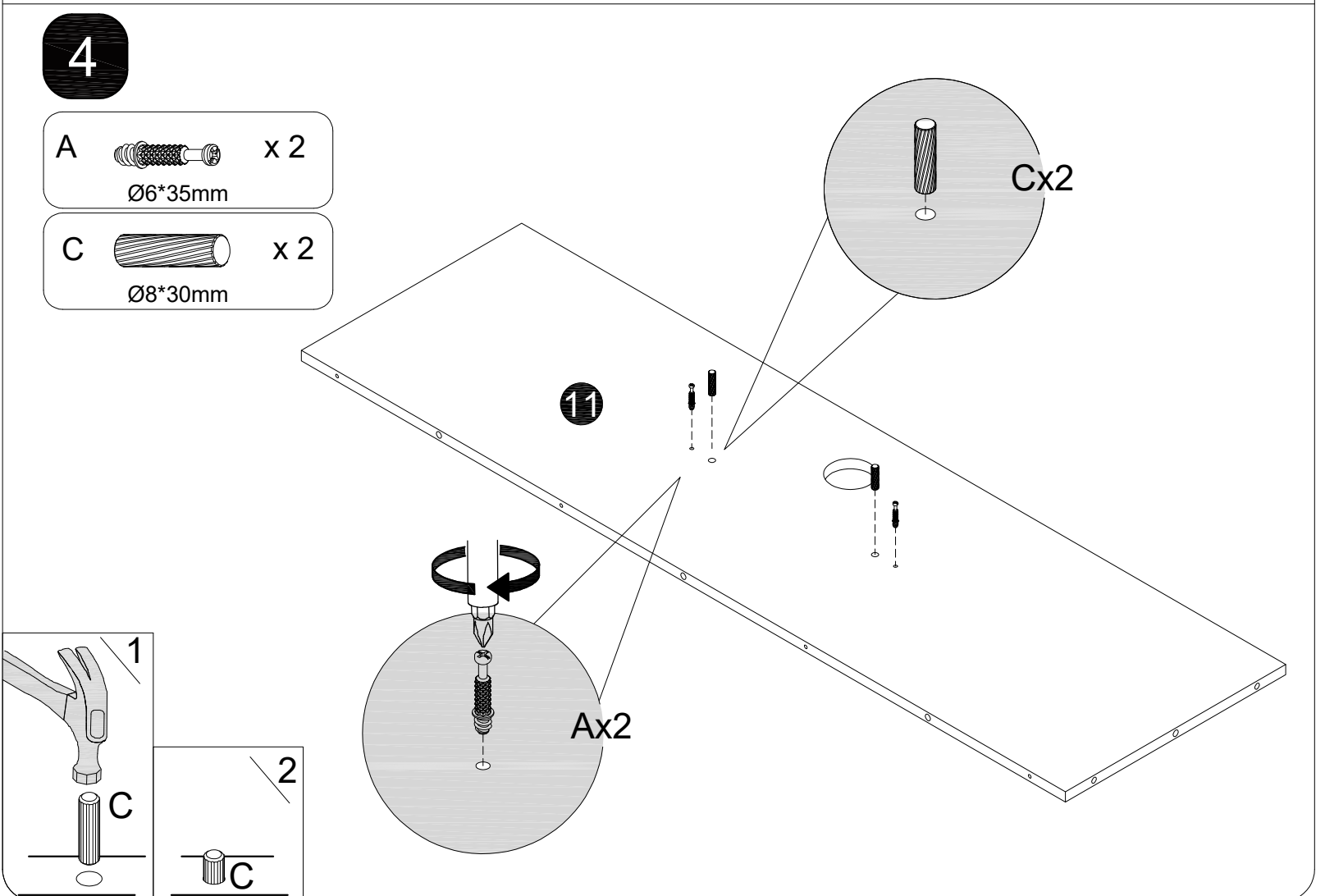
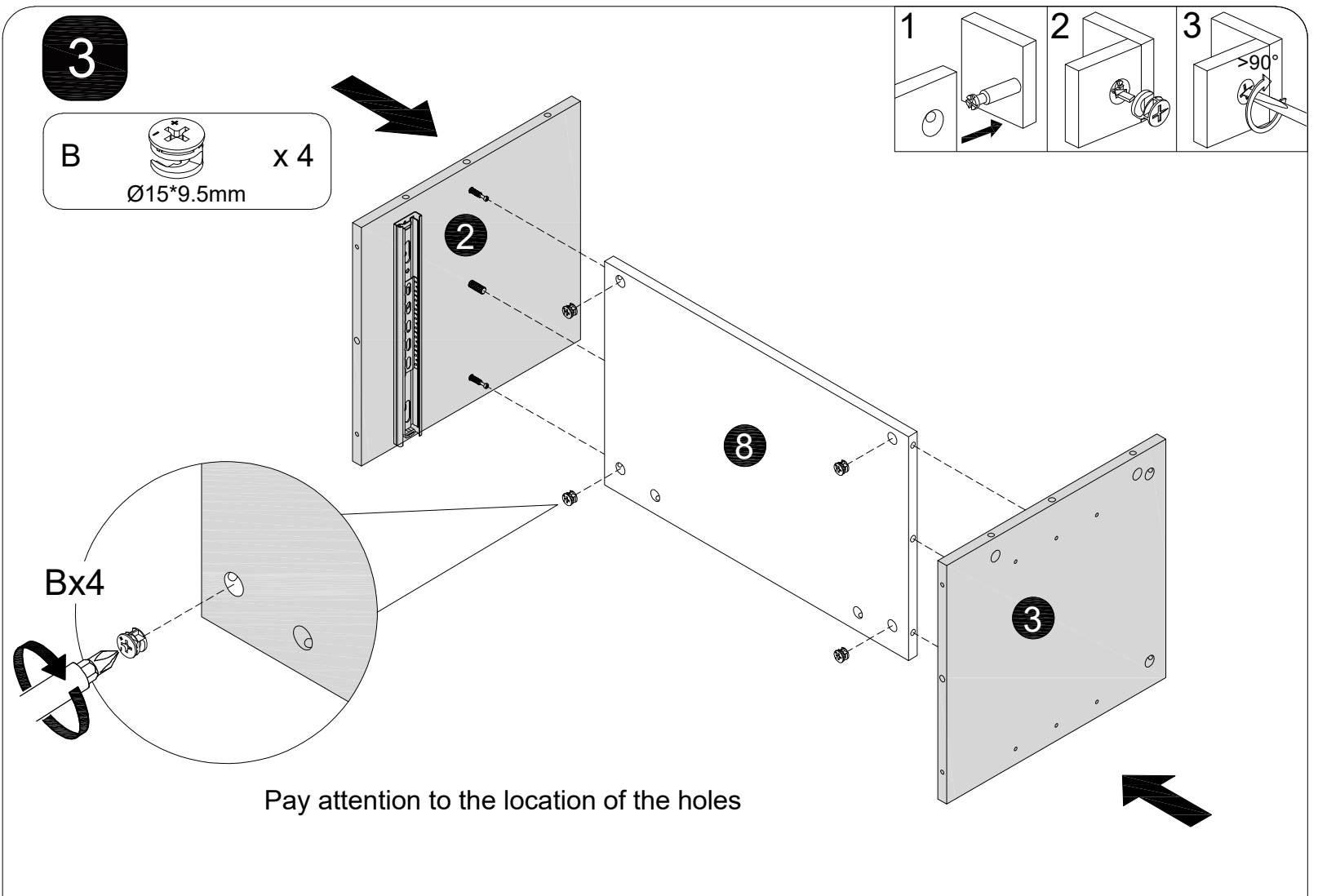


2

H1  x 2  
12"

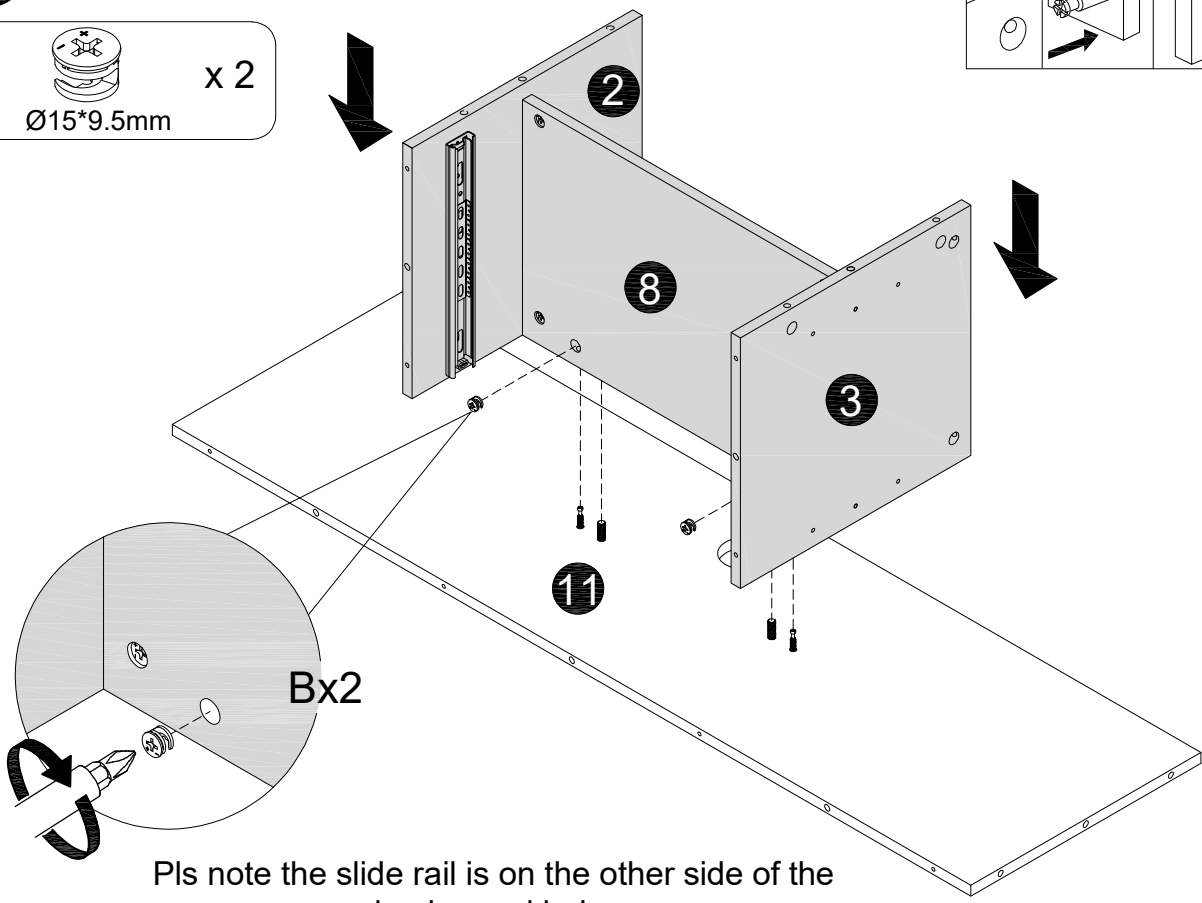
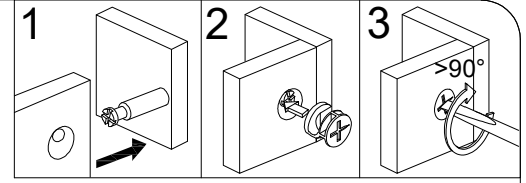
I  x 6  
Ø3.5\*12mm





5

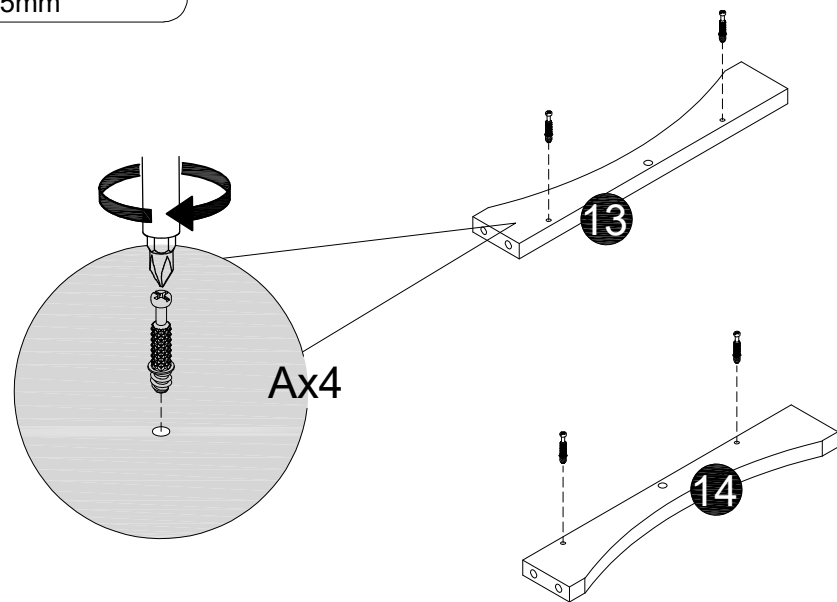
B  x 2  
Ø15\*9.5mm




Pls note the slide rail is on the other side of the back panel hole.


6

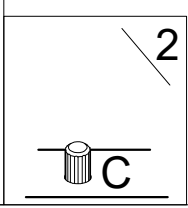
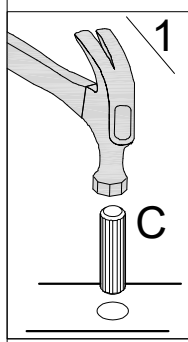
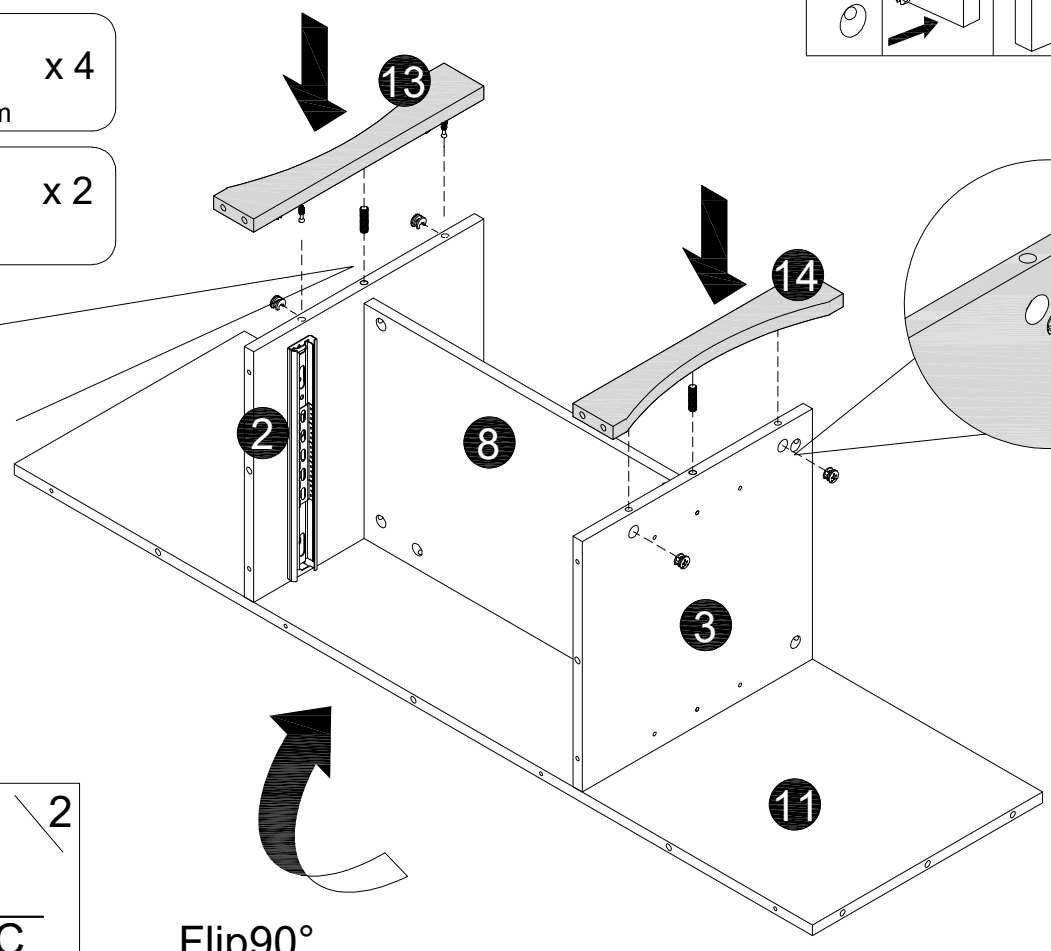
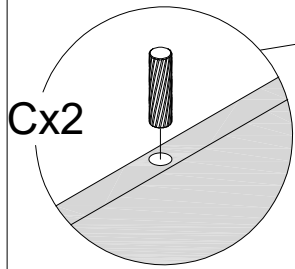
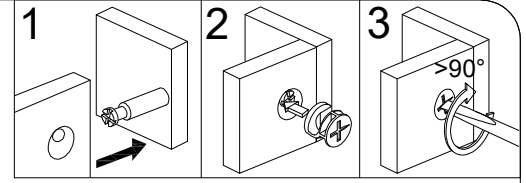
A  x 4  
Ø6\*35mm



7


B  x 4  
Ø15\*9.5mm

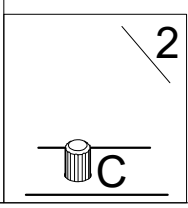
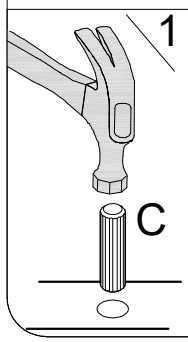
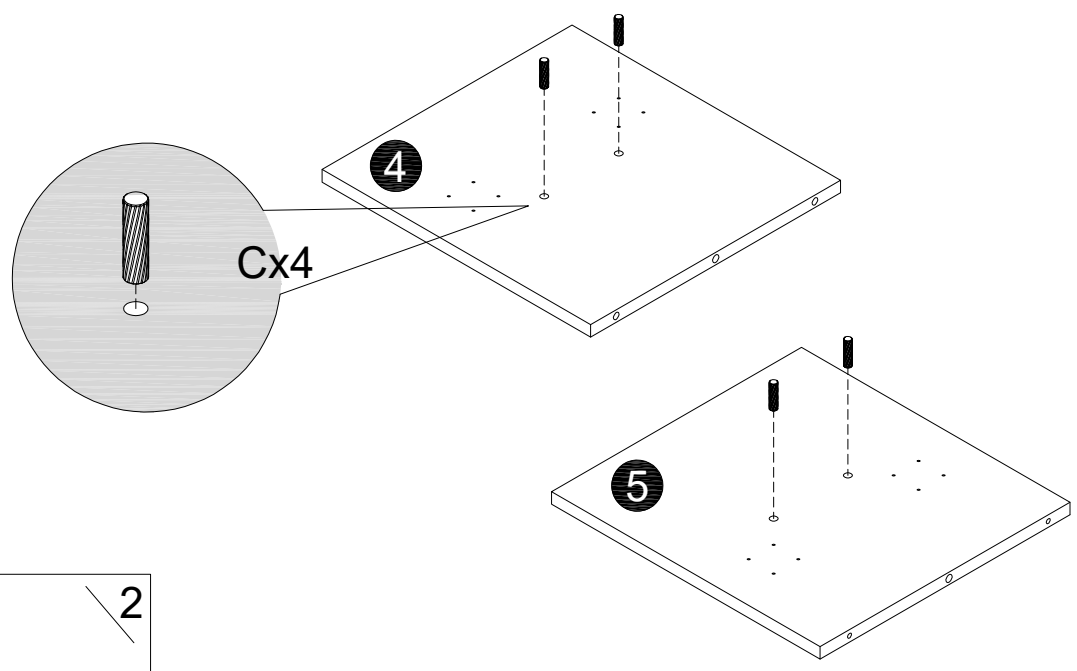
C  x 2  
Ø8\*30mm





Flip 90°

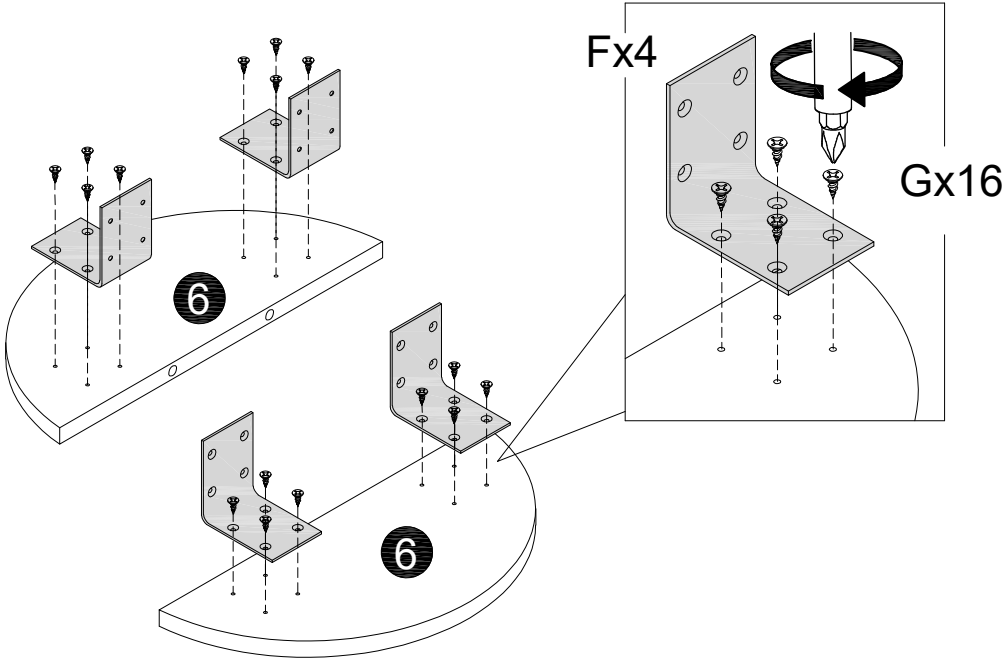
8

C  x 4  
Ø8\*30mm




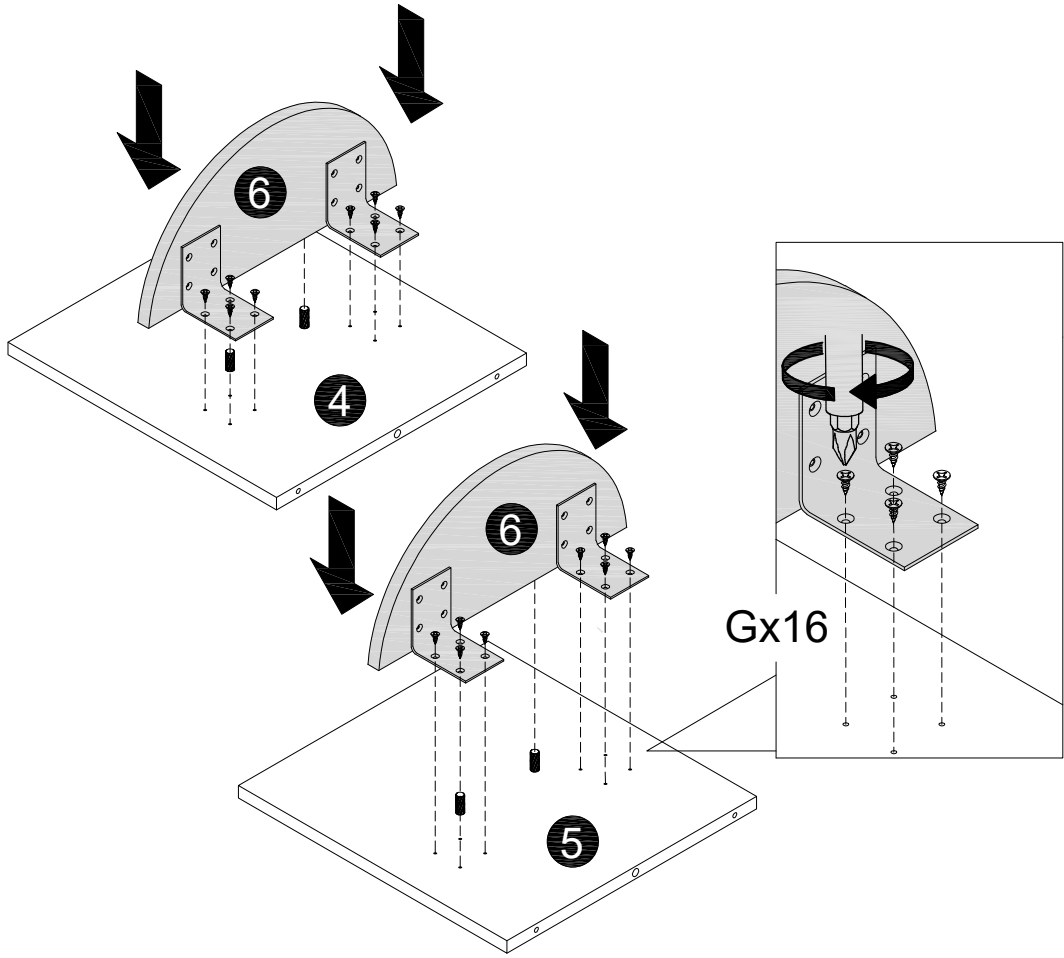
9

- F  x 4  
70x70x49x2T
- G  x 16  
Ø4\*12mm




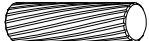
10

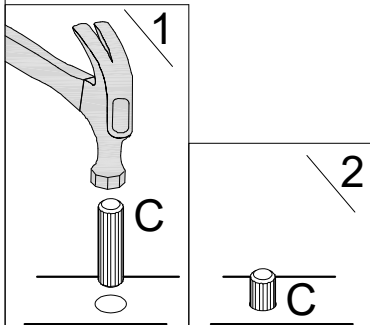
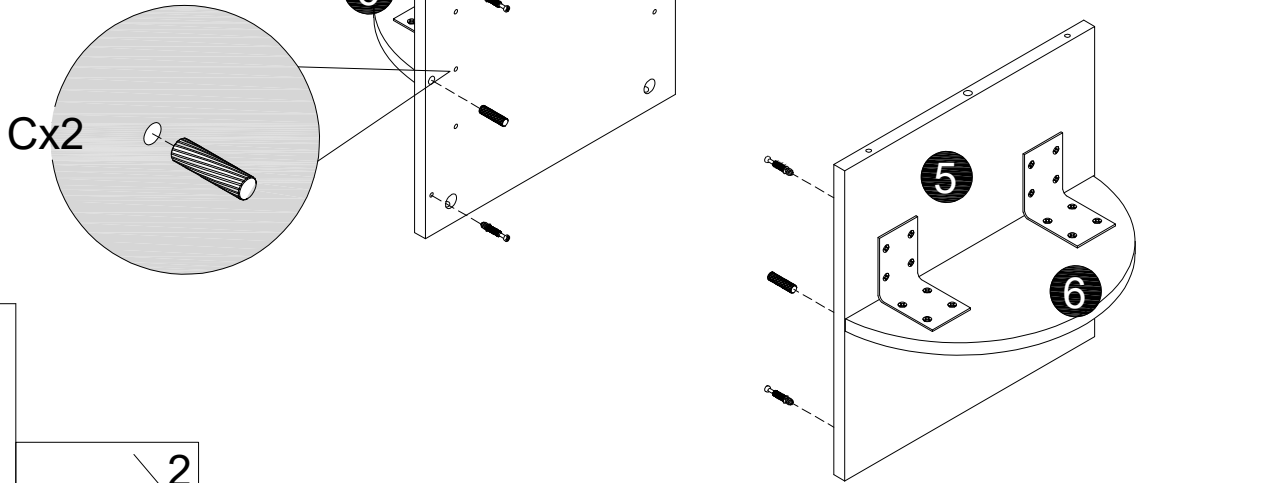
- G  x 16  
Ø4\*12mm



11

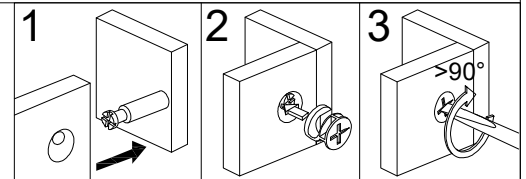
A  x 4  
Ø6\*35mm

C  x 2  
Ø8\*30mm



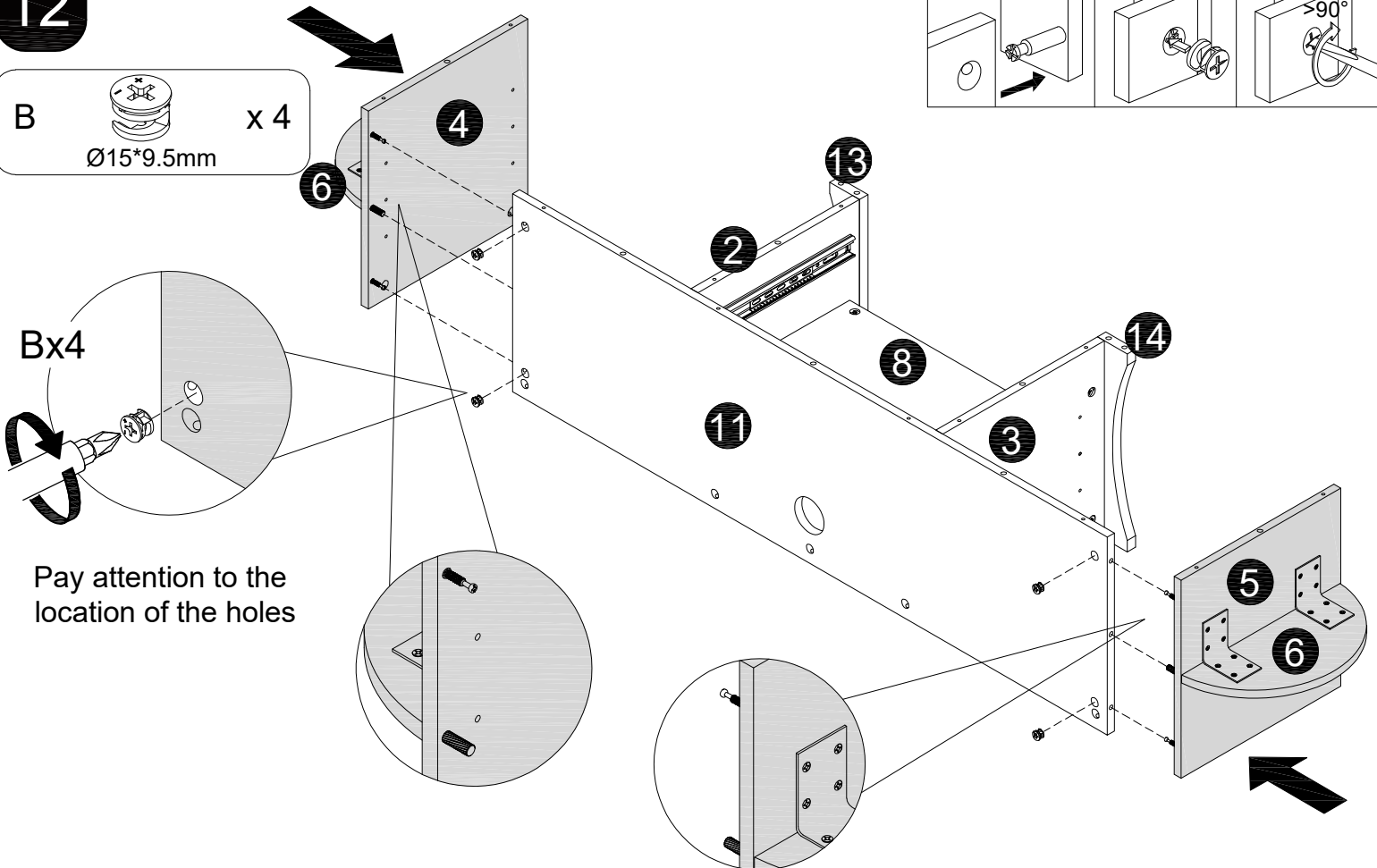
12

B  x 4  
Ø15\*9.5mm

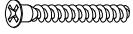



Bx4


Pay attention to the location of the holes

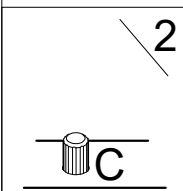
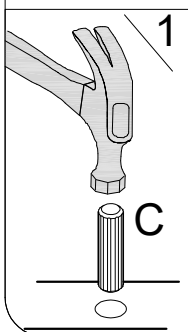
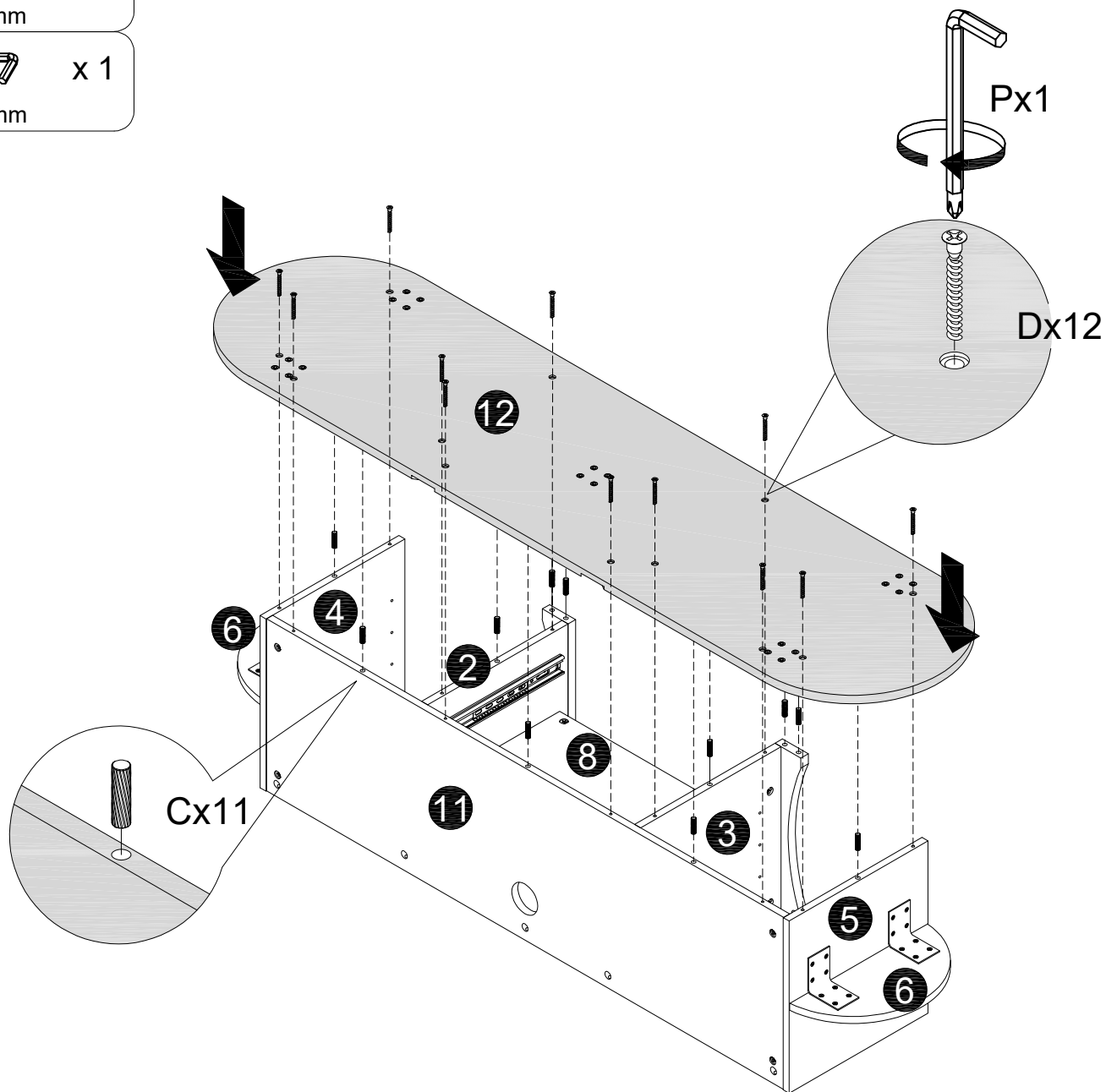


13


D  x 12  
Ø5\*50mm

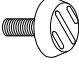
C  x 11  
Ø8\*30mm

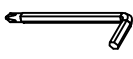
P  x 1  
M4\*60mm

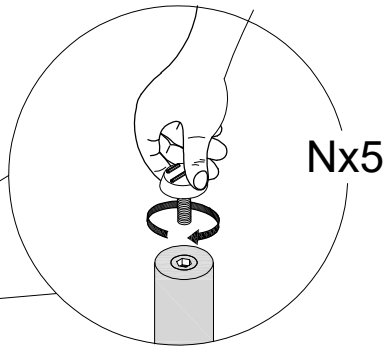
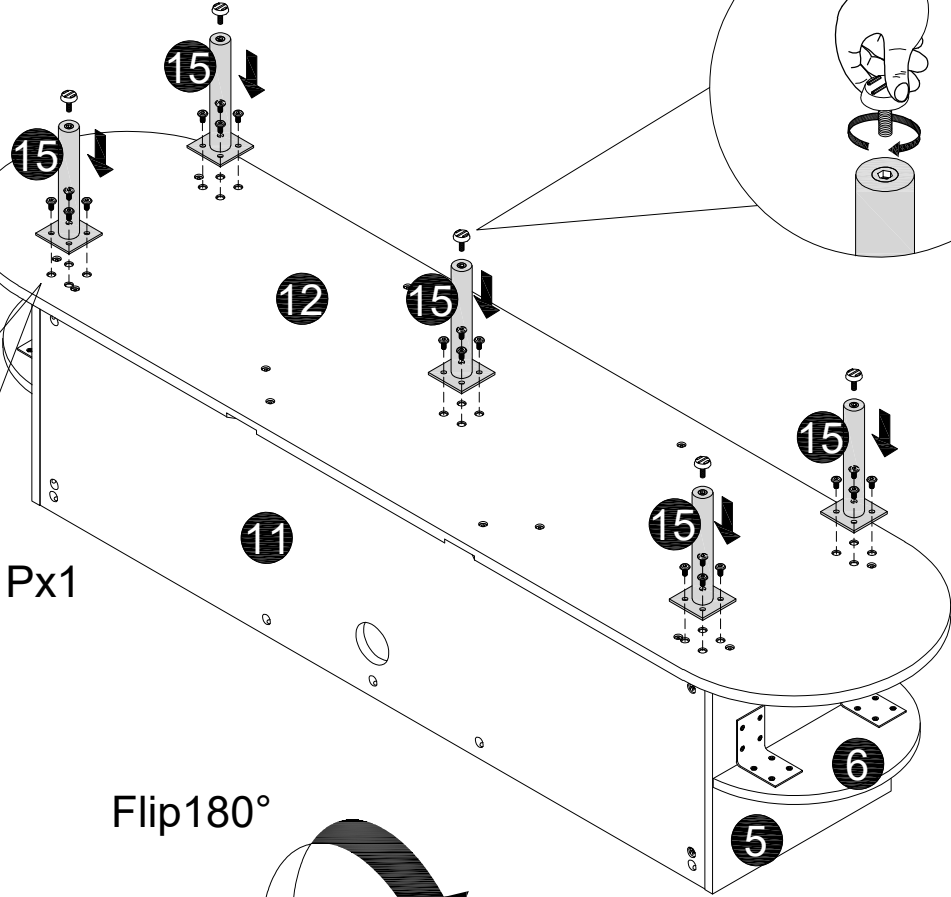
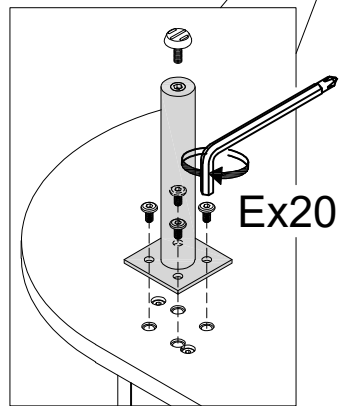


14

E  x 20  
Ø1/4" \* 12mm

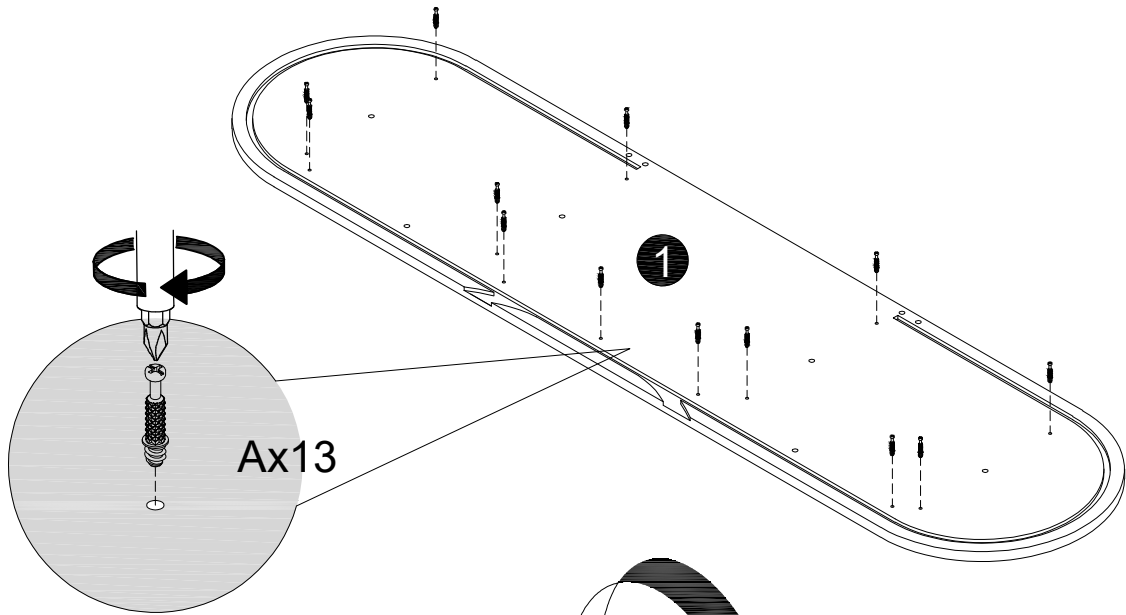
N  x 5  
Ø23 \* 5mm \* 1/4 \* 19mm

P  x 1  
M4 \* 60mm




15


A  x 13  
Ø6 \* 35mm

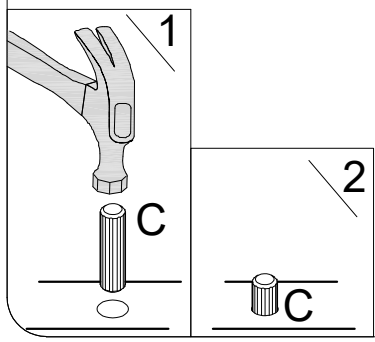
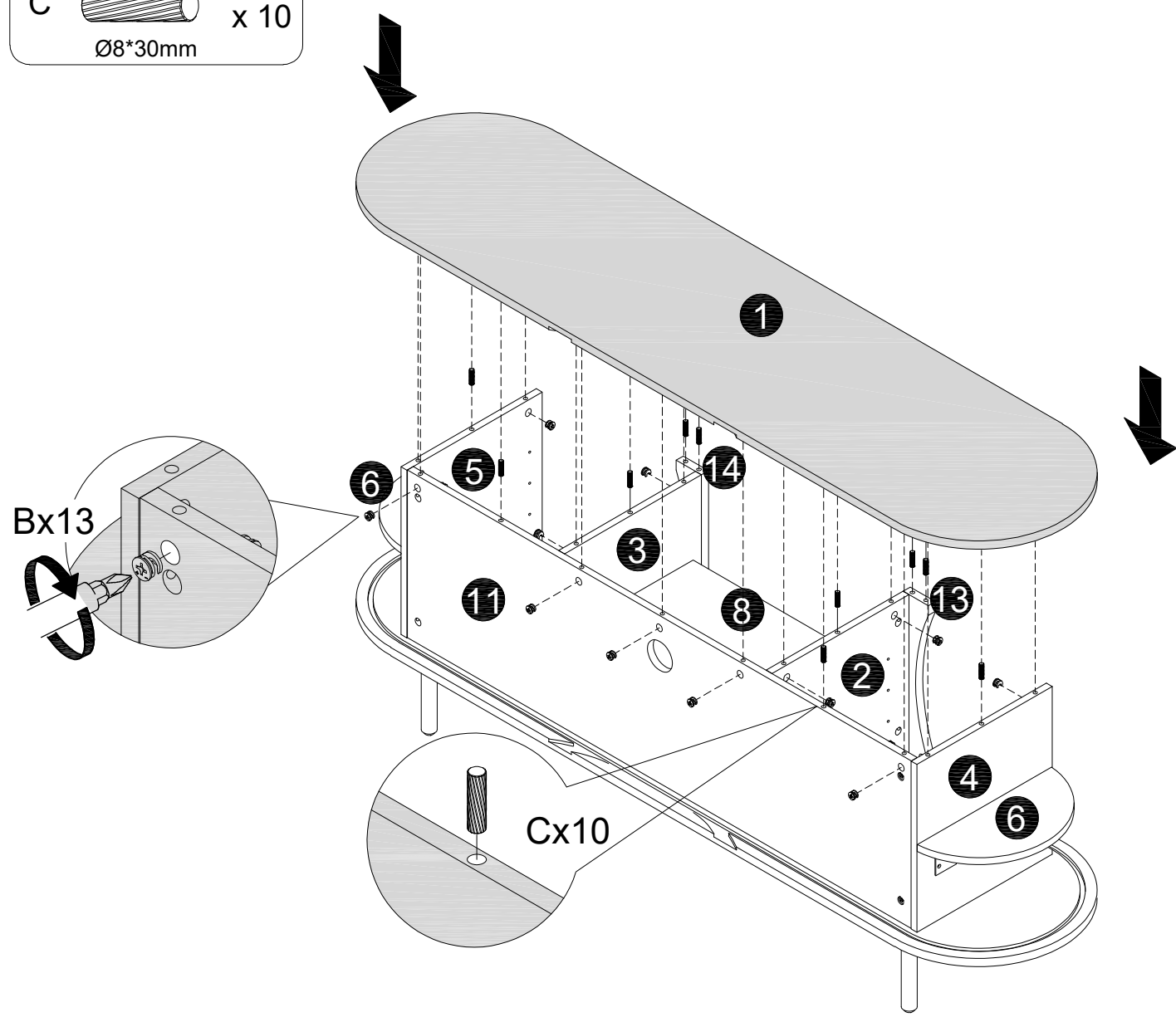
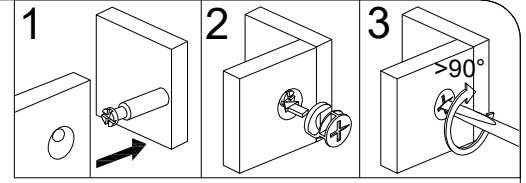


Flip 180°

16

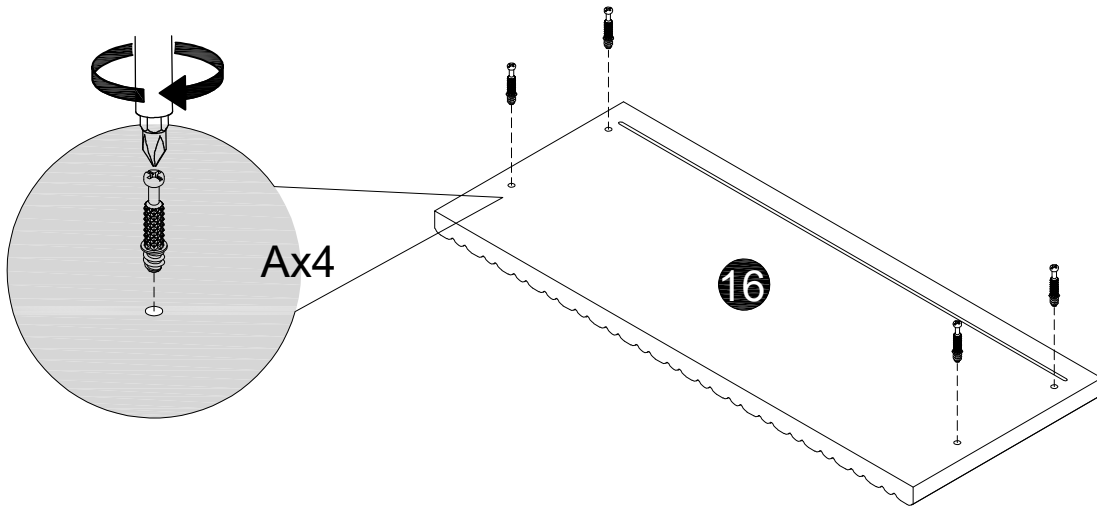
B  x 13  
Ø15\*9.5mm

C  x 10  
Ø8\*30mm




17

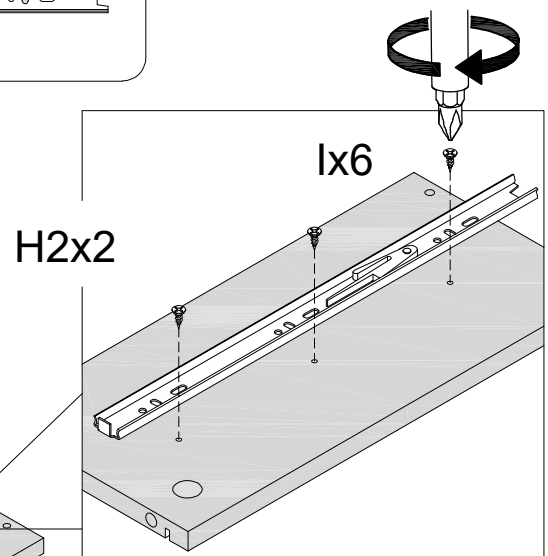
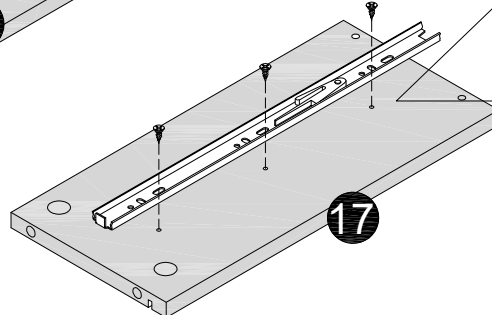
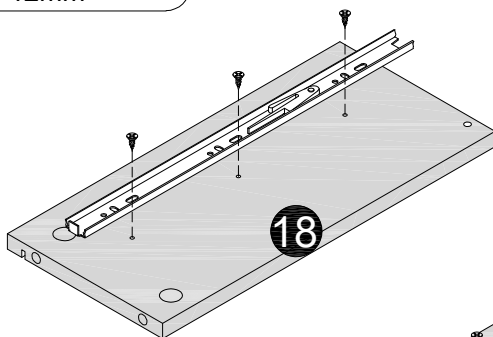
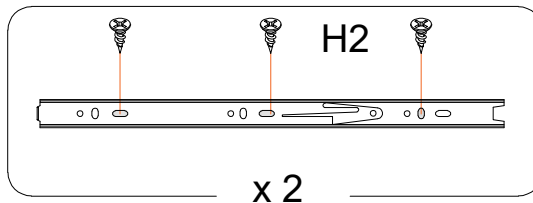
A  x 4  
Ø6\*35mm



18

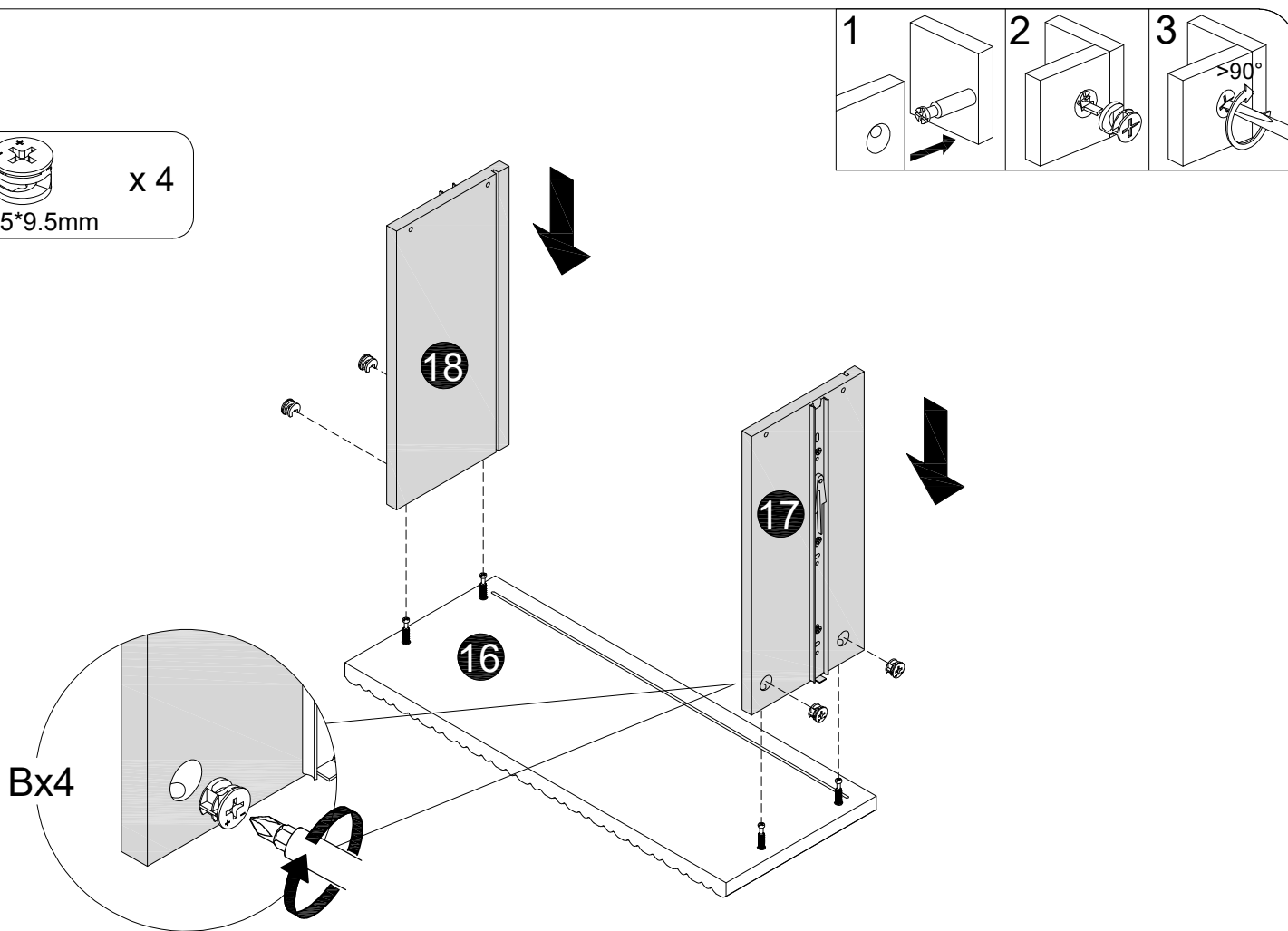
H2  x 2  
12"

I  x 6  
Ø3.5\*12mm

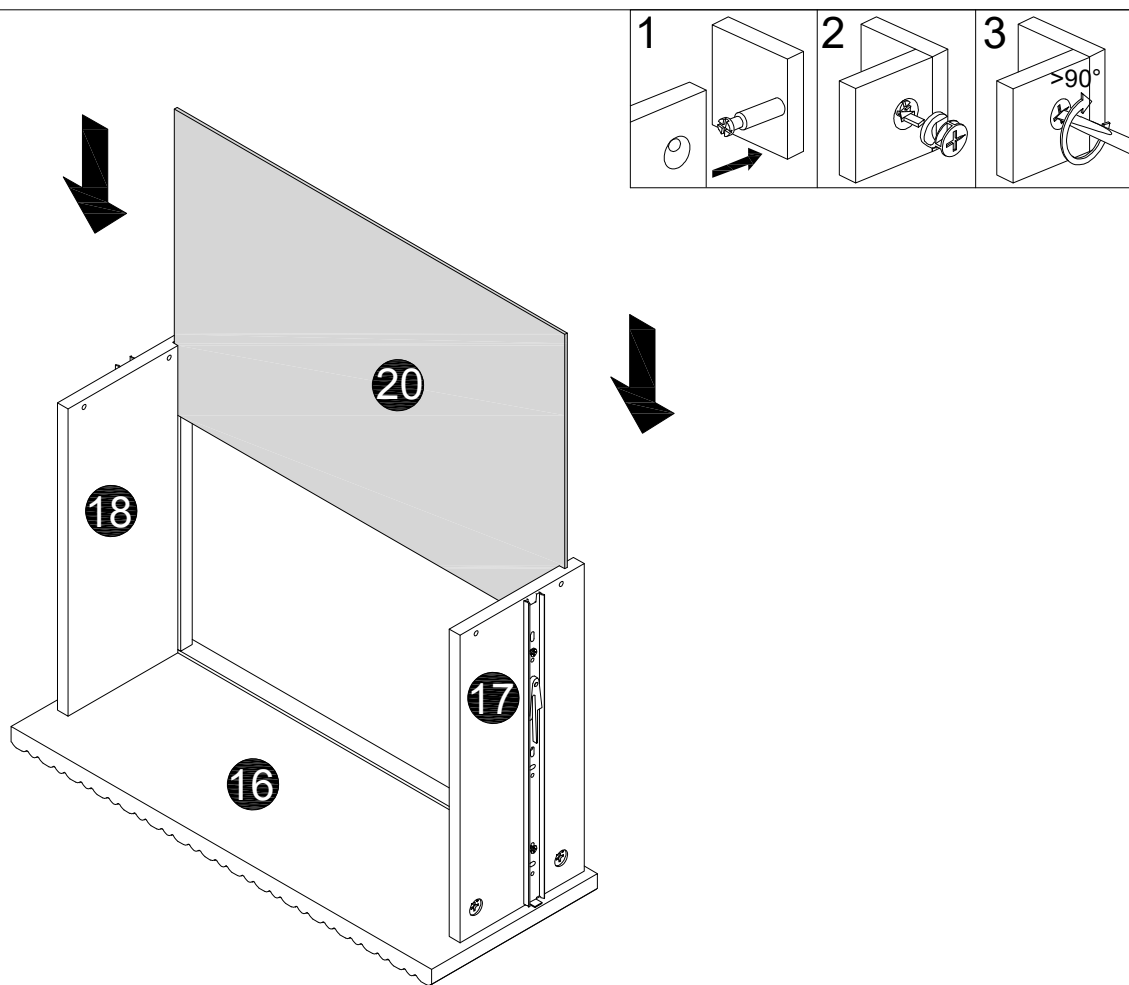


19

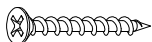
B  x 4  
Ø15\*9.5mm

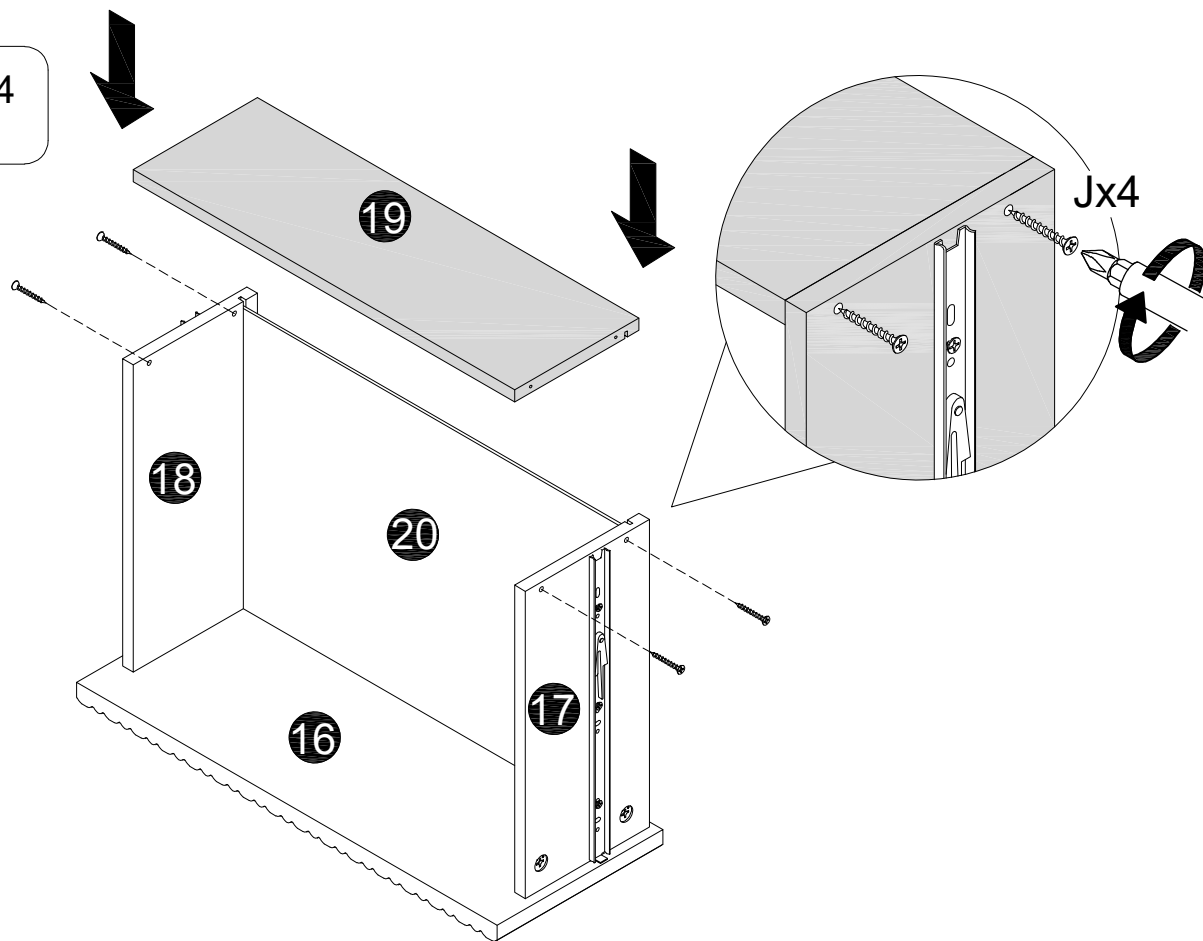


20



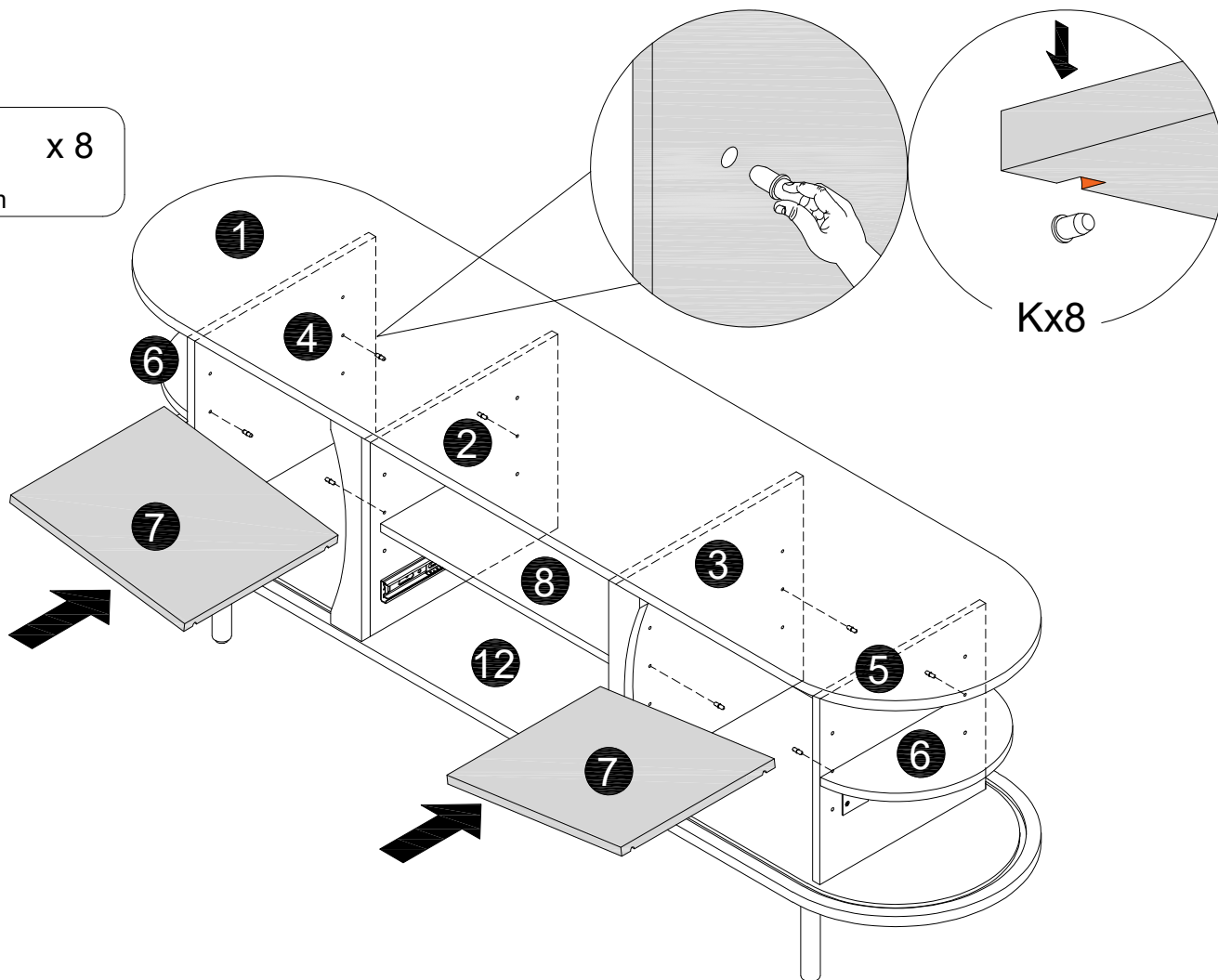
21

J  x 4  
Ø4\*35mm



22

K  x 8  
Ø5\*16mm



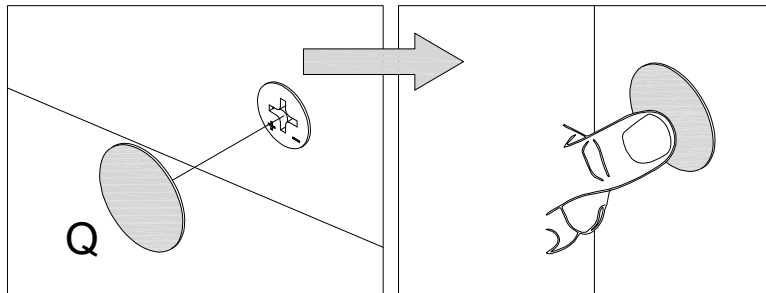
23

Q

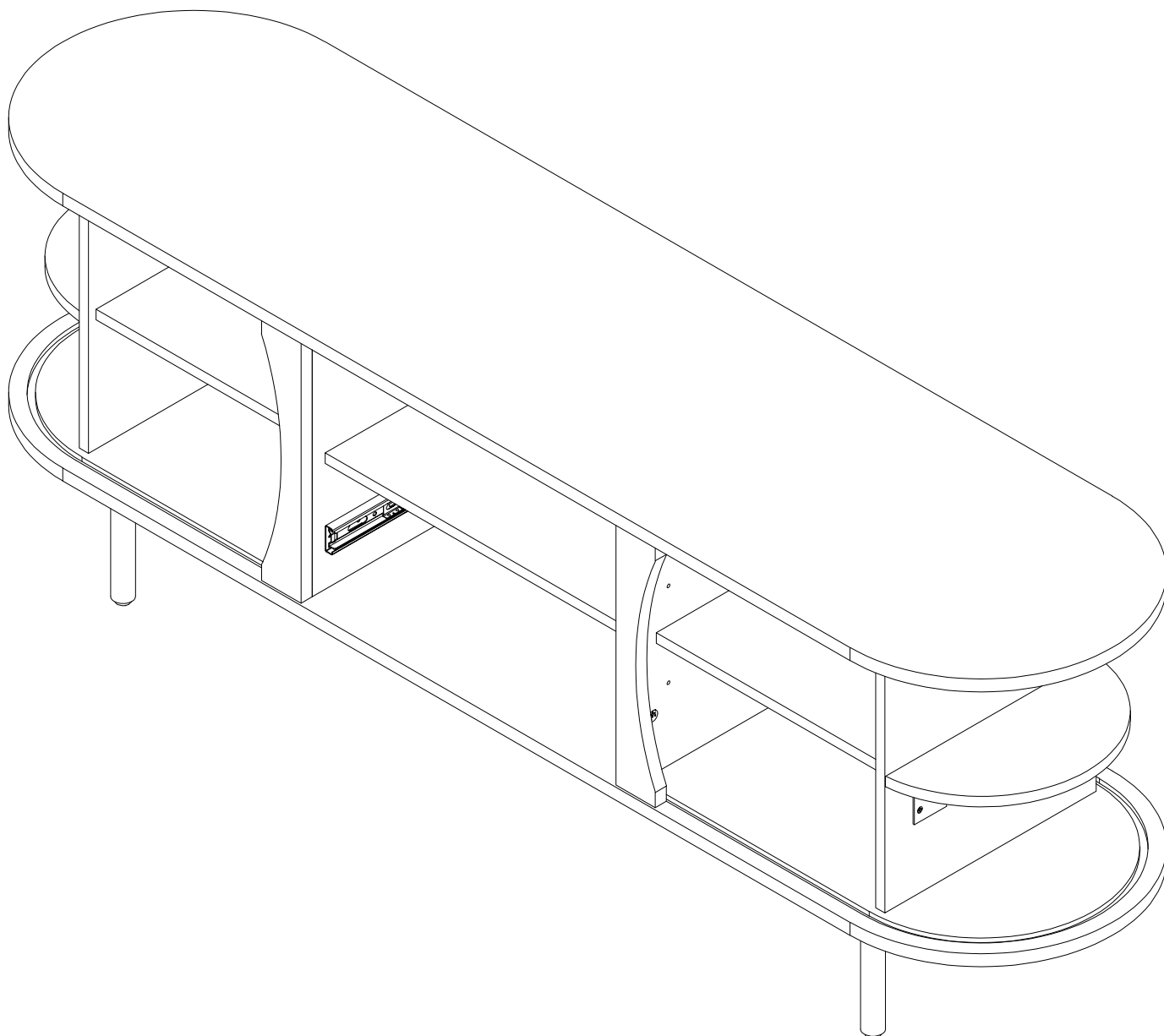


x 31

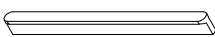
Ø21mm



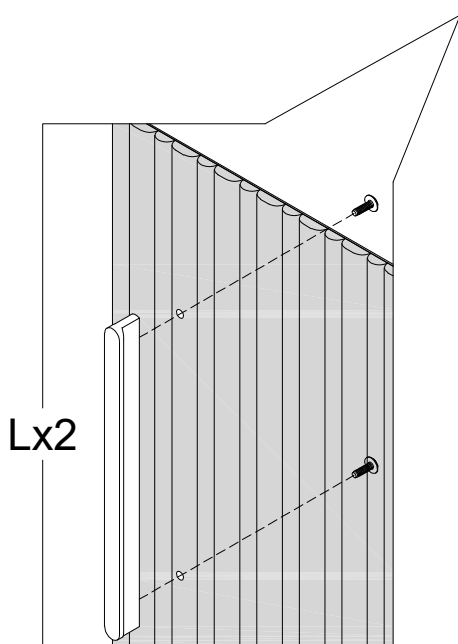
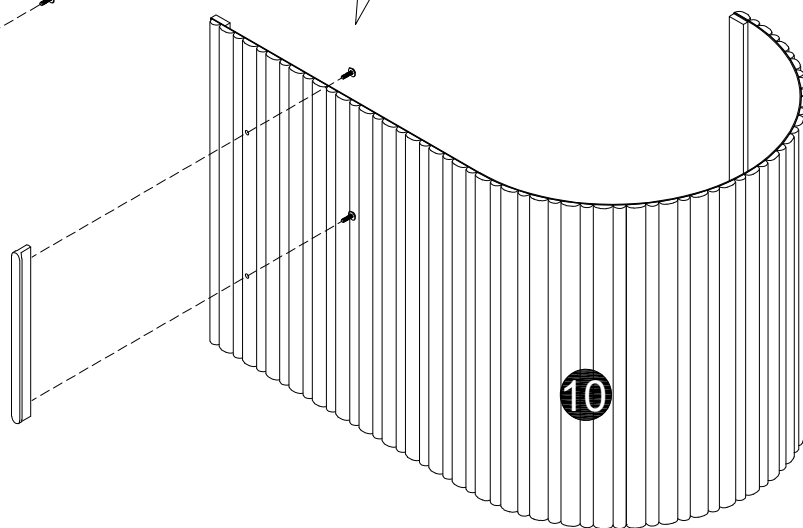
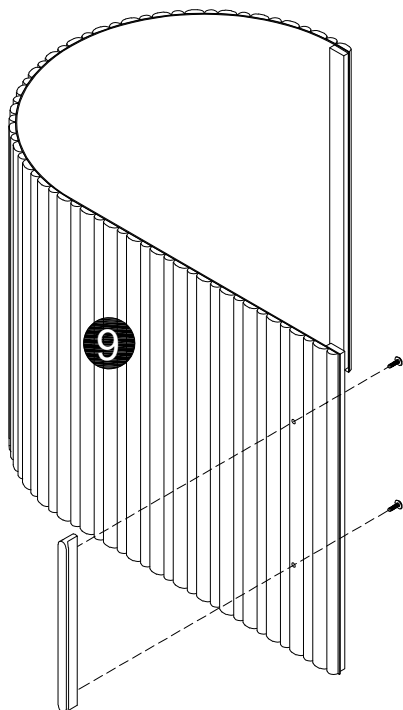
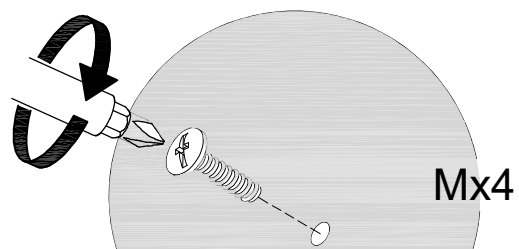
Bond Component Q to all exposed holes on the front face of the product.



24

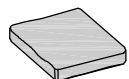
L  x 2  
L190\*160mm

M  x 4  
Ø5/32\*12mm



25

O

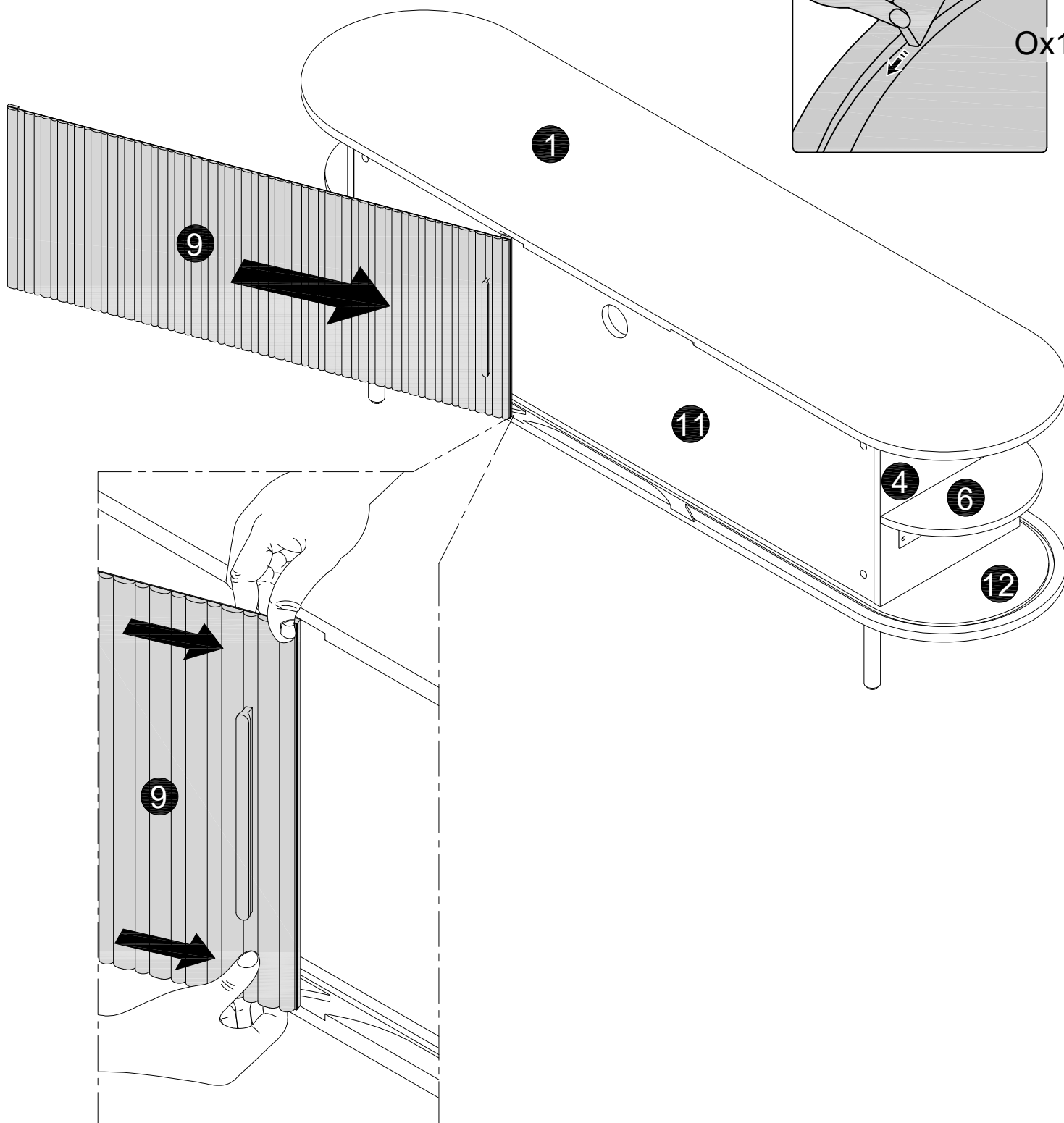
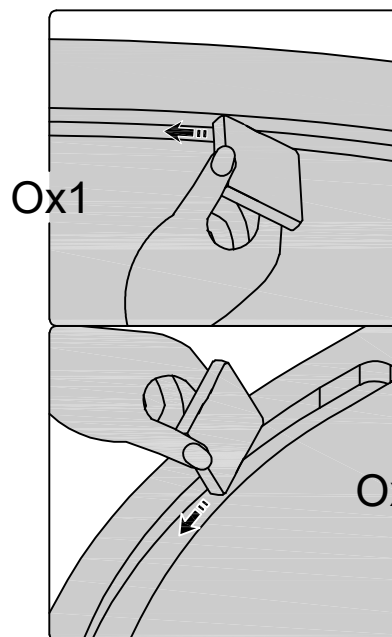


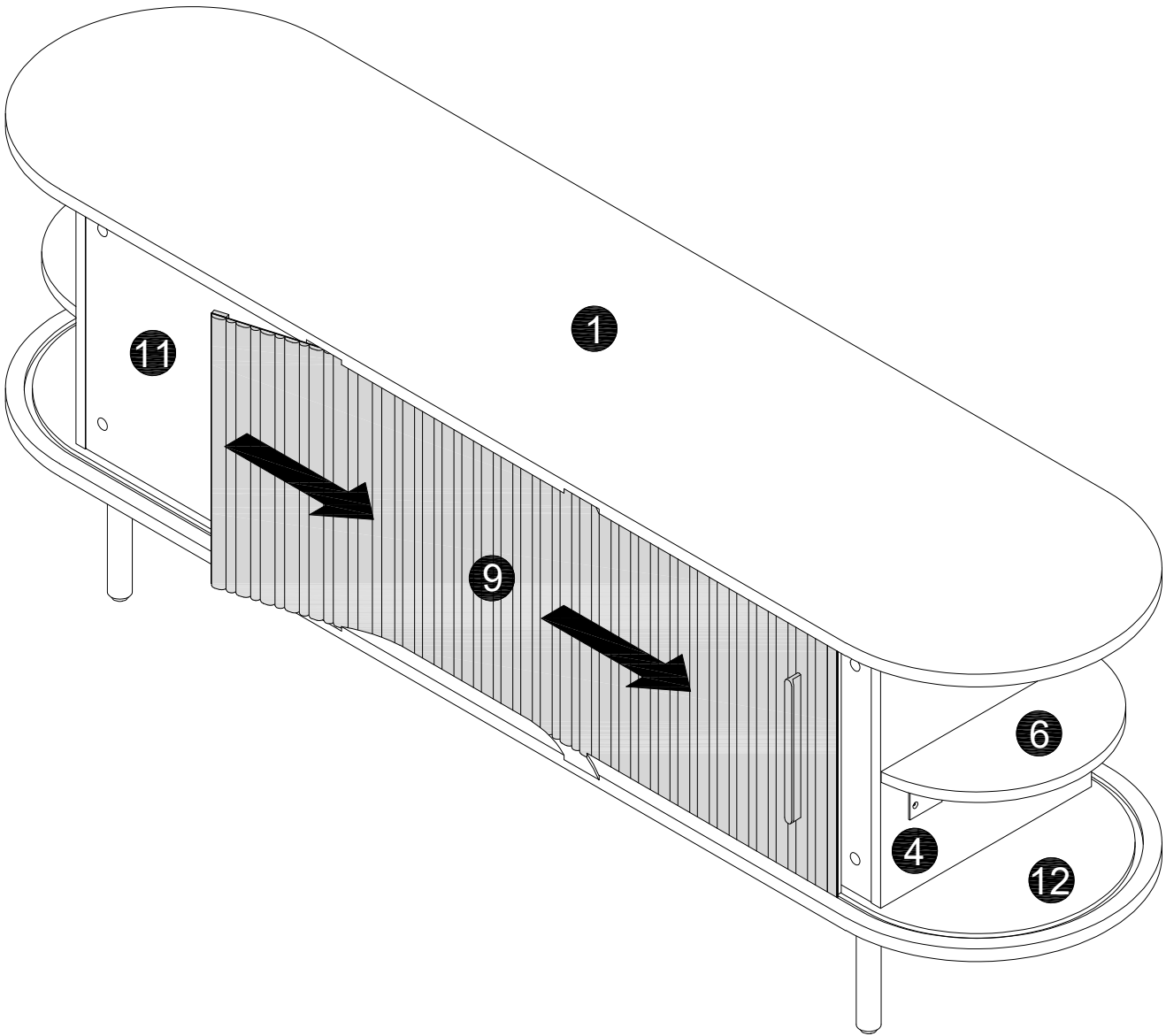
x 1

30\*30\*6mm



Please clean the track groove with a sponge first, after that install the door panel.

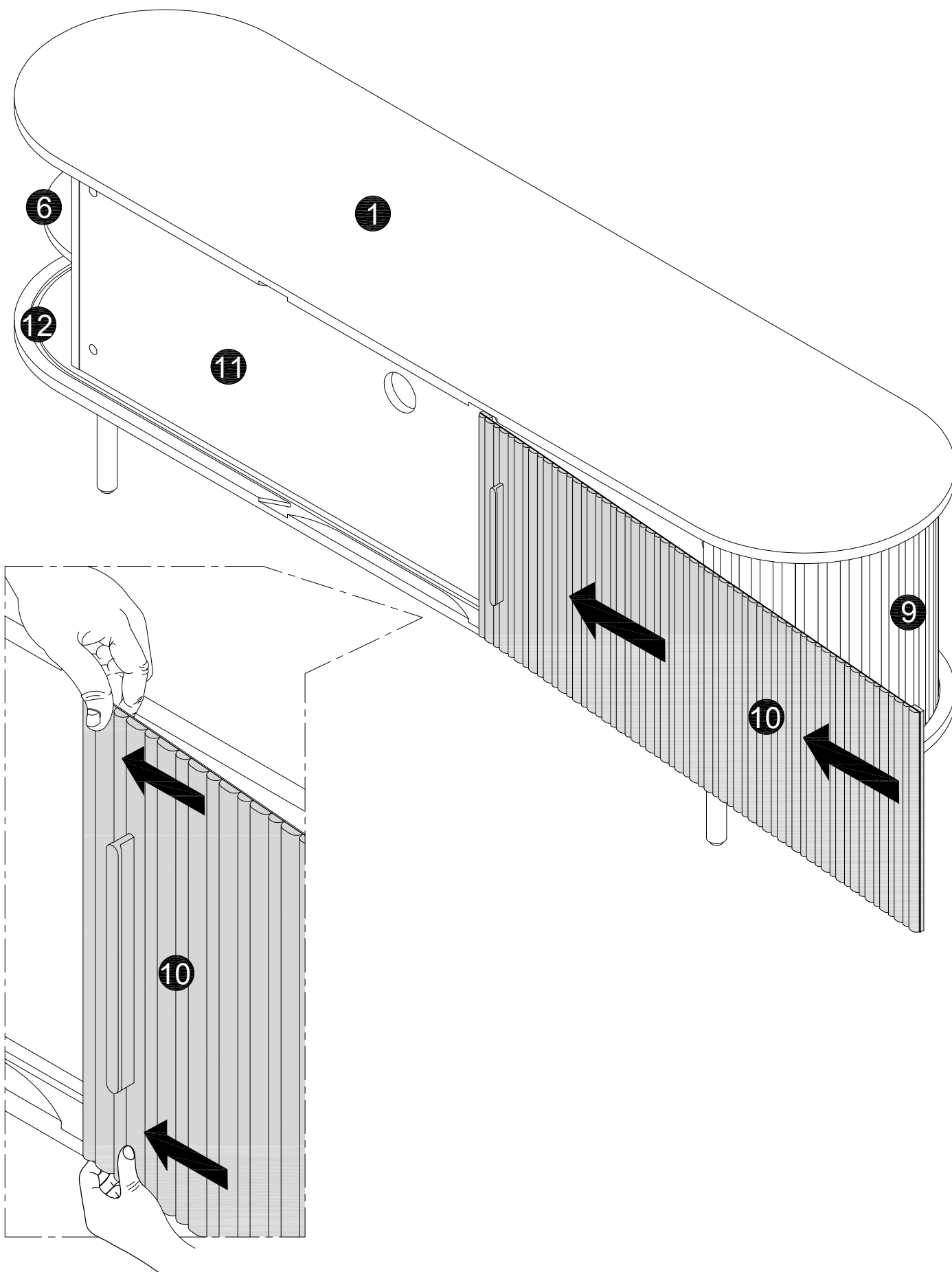


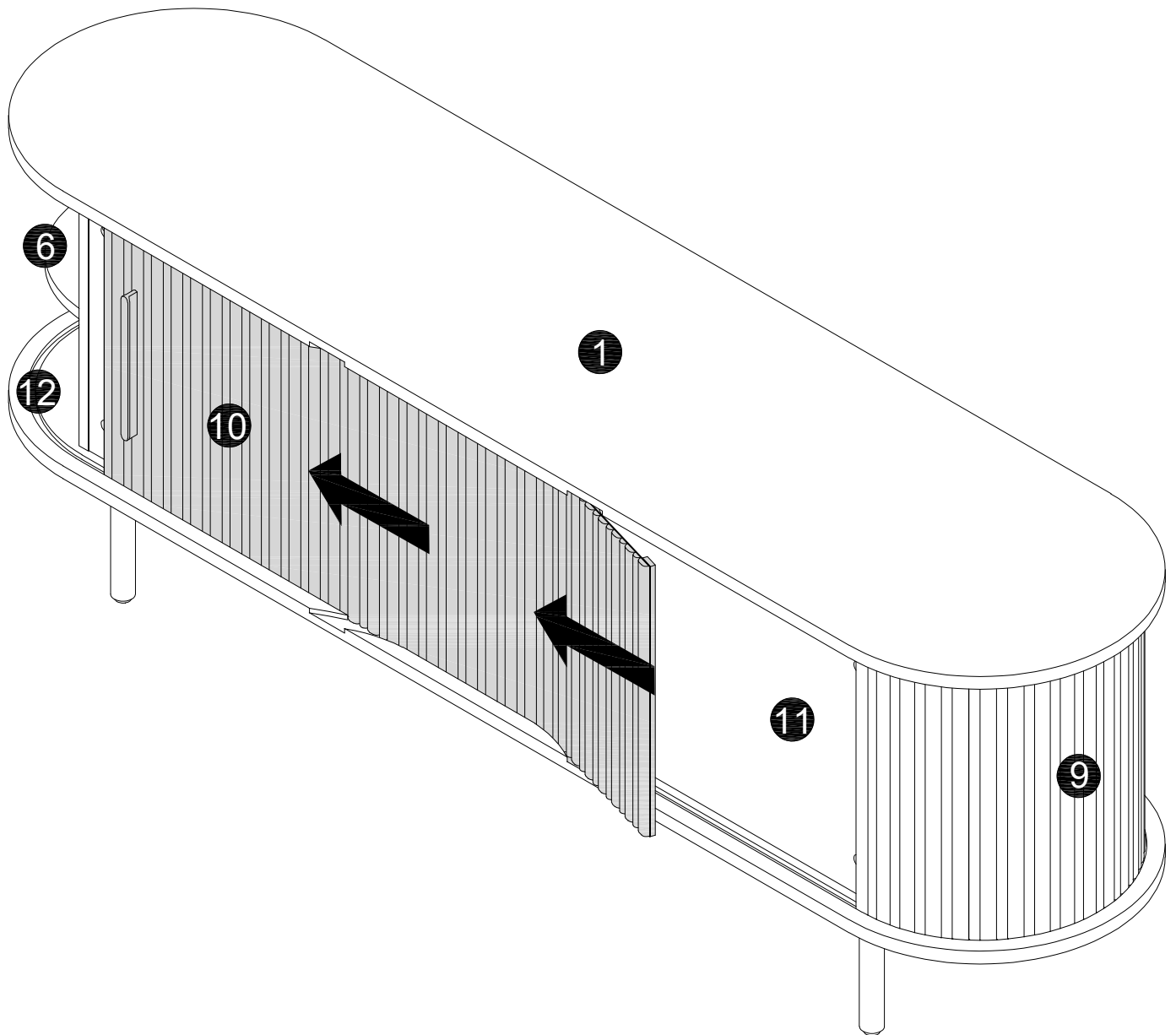


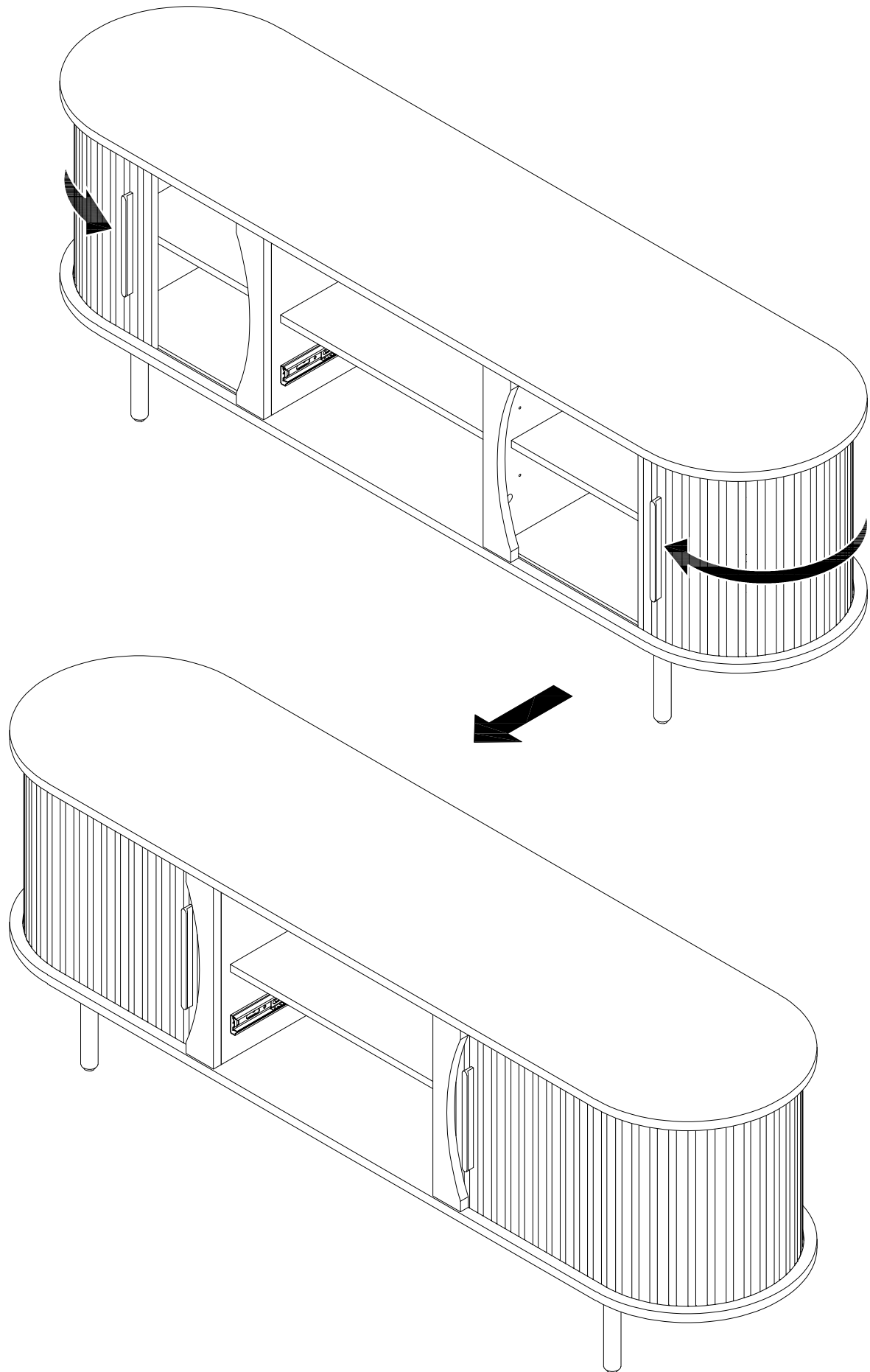
27

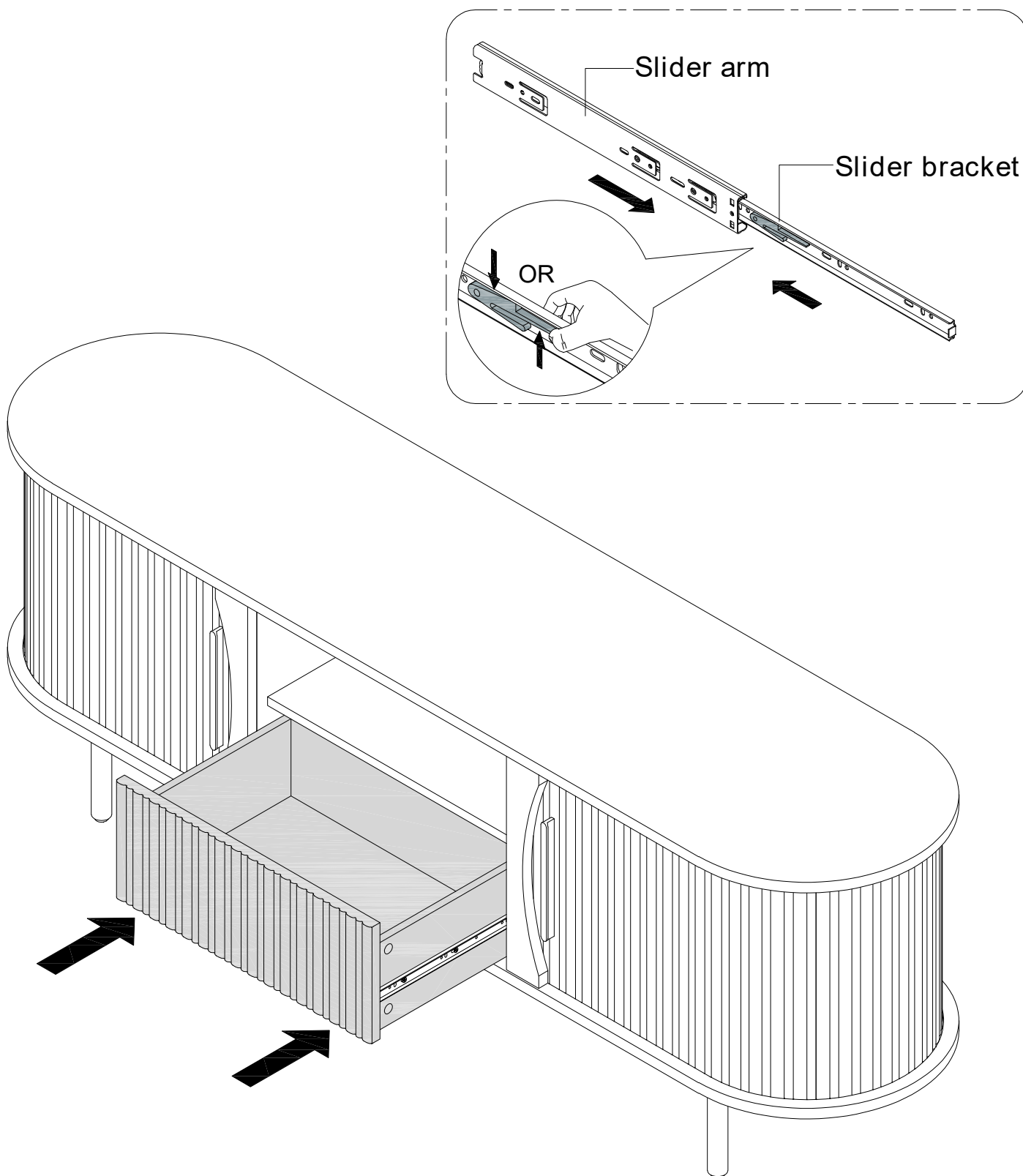


Repeat the previous step and install another door panel.









Insert the assembled drawers into the unit frame, extend the Ball Bearing Slide Tracks (H) on the pedestal Side Panel all the way forward .Then align the Slide Runners on the assembled drawers with the Slide Tracks and push the drawer carefully inside until it stops. Note : if the drawer does not go in smoothly, please take it out and repeat the step. If you need to remove the drawer, please pull the drawer all the way out,press or lift the plastic release lever and pull out the drawer and then re-assembled the drawer until it was going in smoothly .

# Complete!

