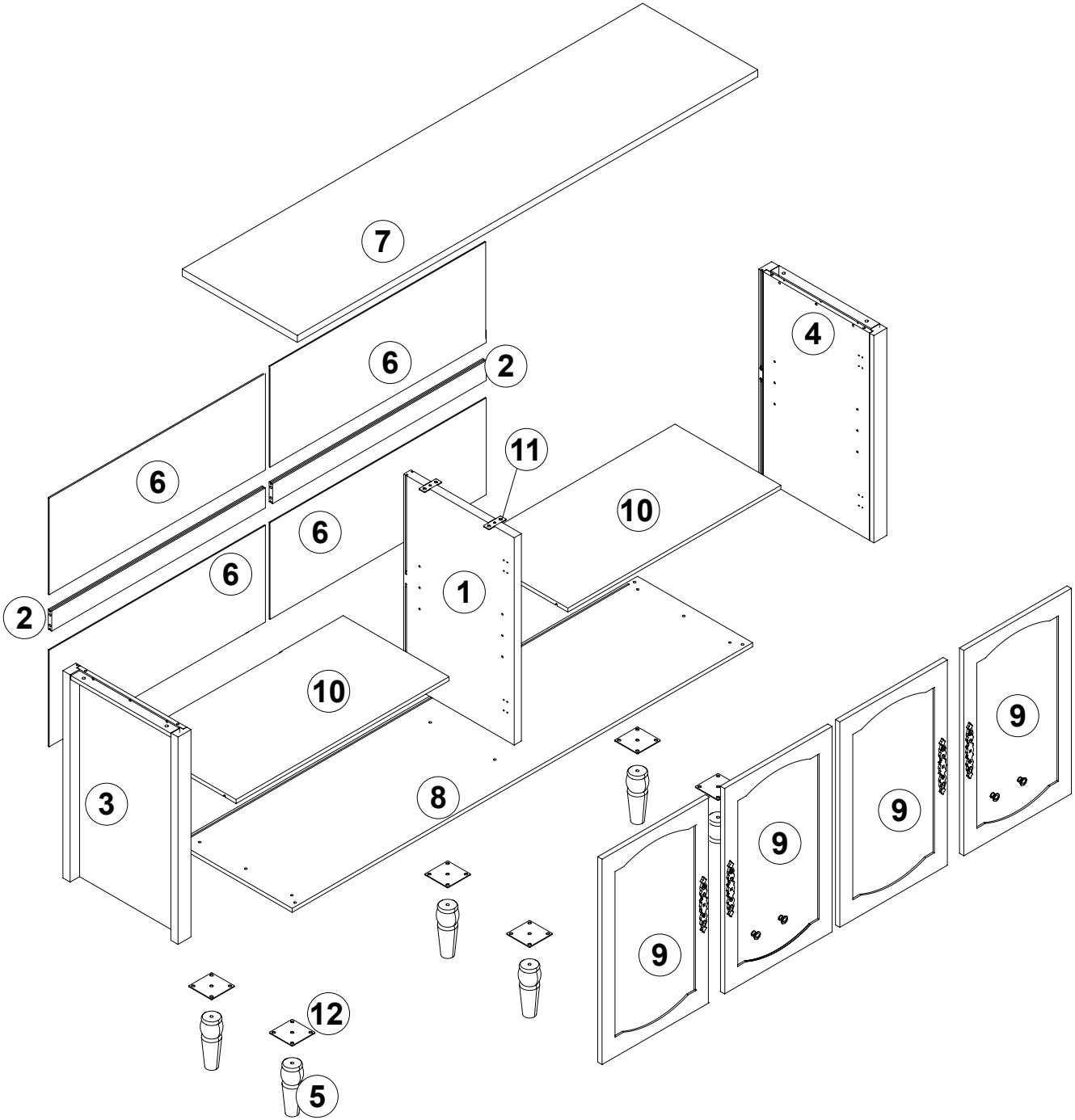


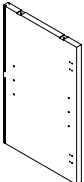
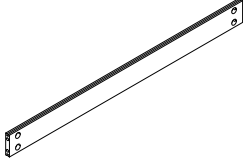
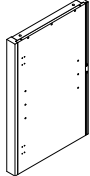
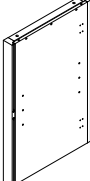

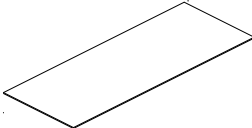
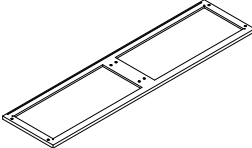
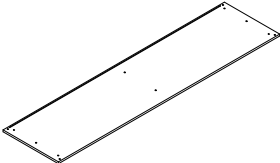
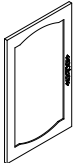
Two-adults installation required

WD-BS001-63

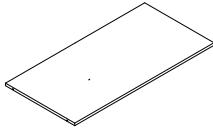
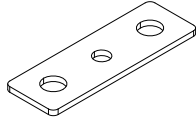
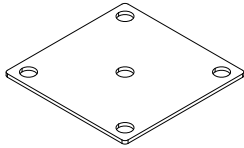
Before starting the installation, let's have an understanding of the main parts of the product.



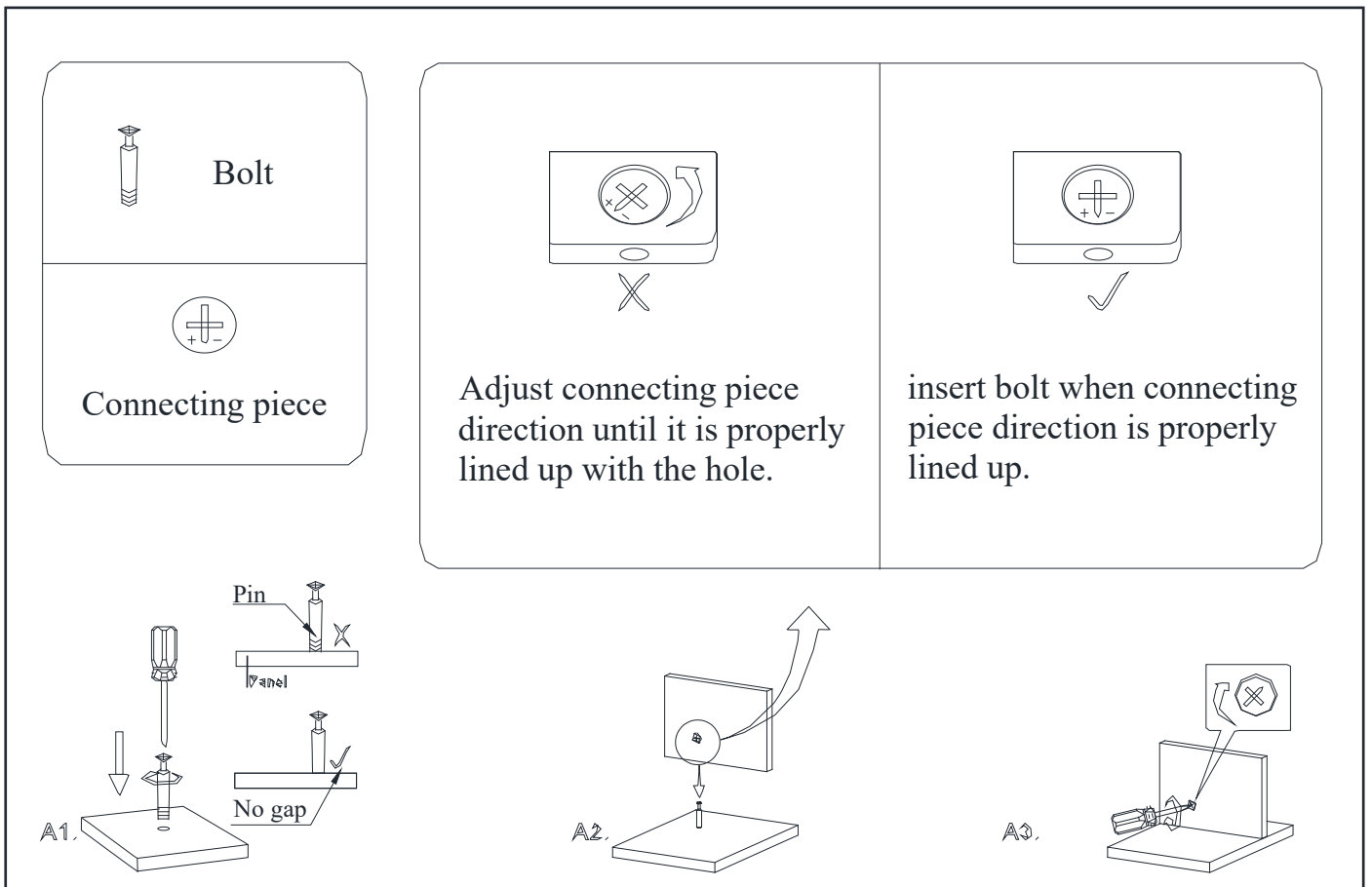
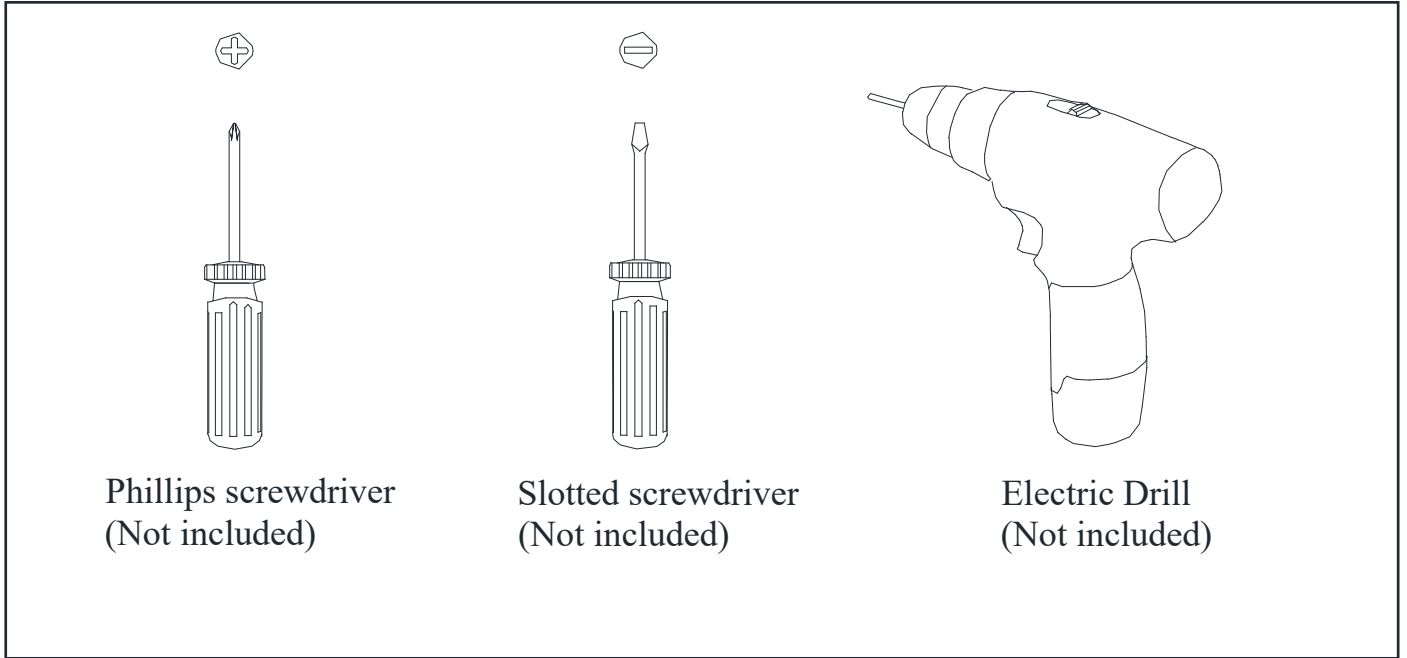
Component

Letter (number)	Part	Design	Quantity
①	Neutral board		x1
②	Back pull strip		x2
③	Left side panel		x1
④	Right side panel		x1
⑤	Solid wood feet		x6
⑥	Back veneer		x4
⑦	Roof		x1
⑧	Base		x1
⑨	Door frame		x4

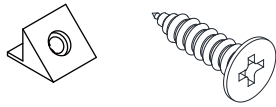
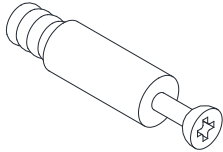

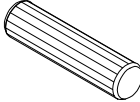
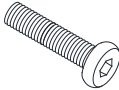
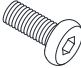
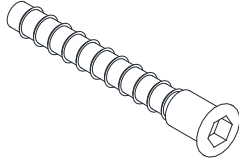

Component

Letter (number)	Part	Design	Quantity
10	Shelf board		x2
11	Connecting piece		x2
12	Solid wood foot connector		x6

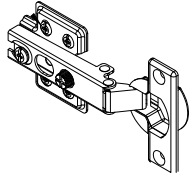
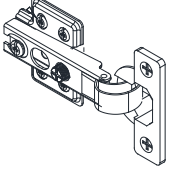
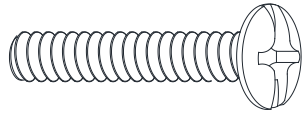
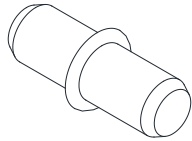
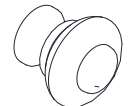
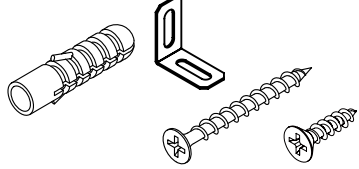
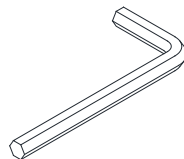
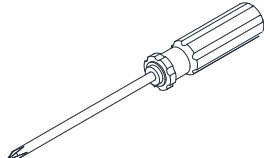
Self equipped tools:




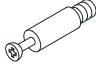


Component

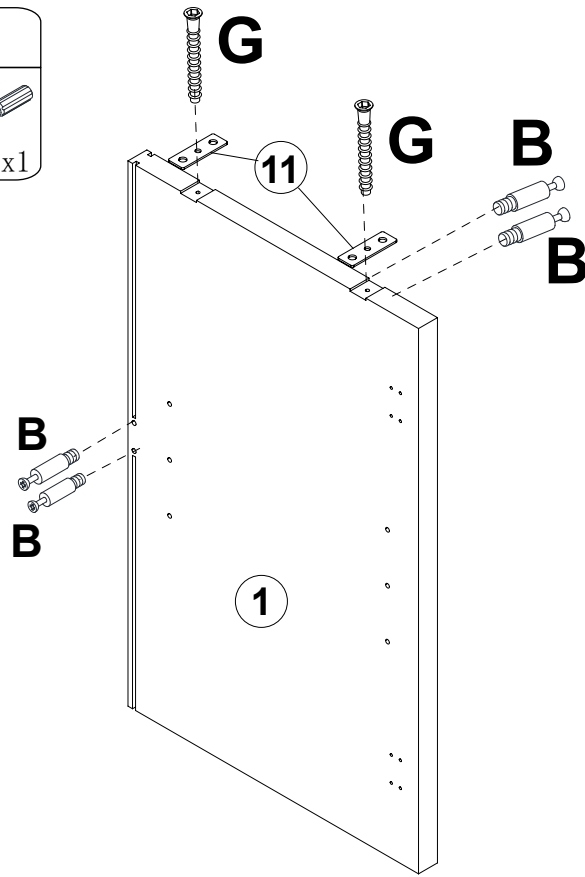
Letter (number)	Part	Design	Quantity
A	Back buckle		16+1
B	Male Camlock		8+1
C	Female Camlock		8+1
D	Wooden Dowel Ø6*30		8+1
E	M6*22 Screw		4+1
F	M6*10 Screw		34+2
G	Hex Socket Head Cap Screw ST6*50		10+1
H	Pan Head Screw ST3.5*12		48+2

Component


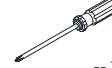
Letter (number)	Part	Design	Quantity
I	Mid bend hinge		x4
J	Large curved hinge		x4
K	Pan Head Screw M4*28		x4
L	Laminated nail		8+1
M	hand in hand		x4
N	Anti dumping accessories		x2
O	Hex Key M4		x1
P	Screwdriver		x1

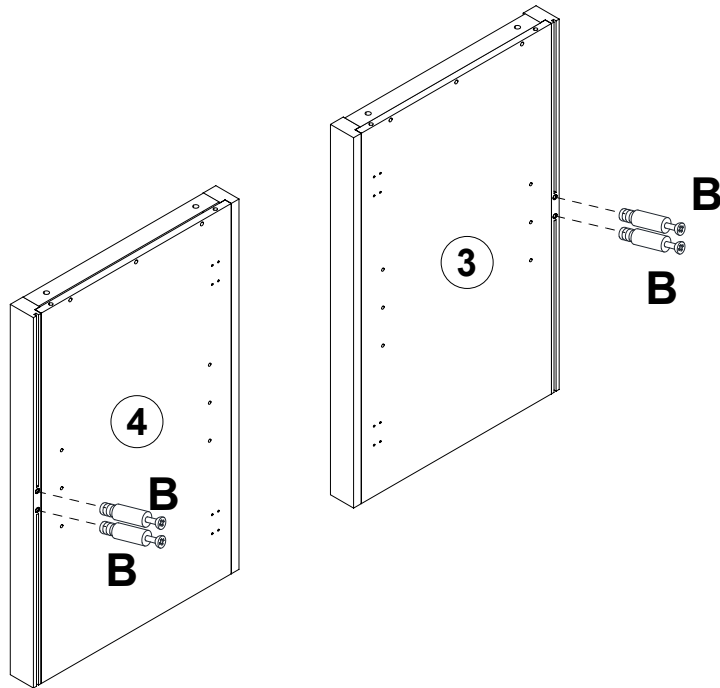
STEP 1

G	B	O	P
 x2	 x4	 x1	 x1





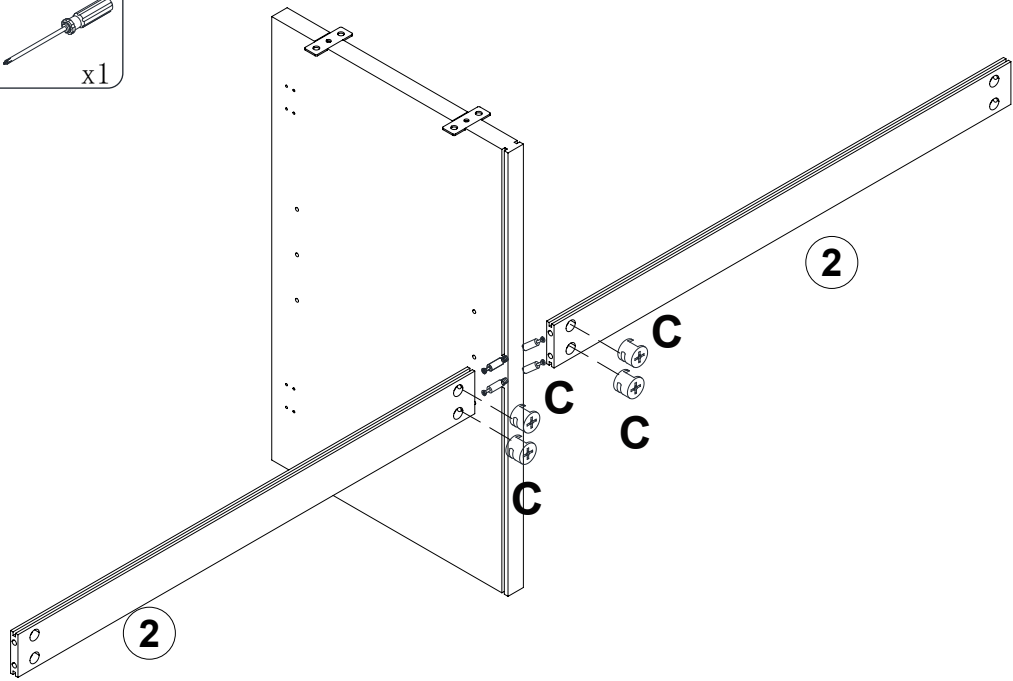
STEP 2

B	P
 x4	 x1


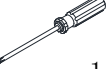


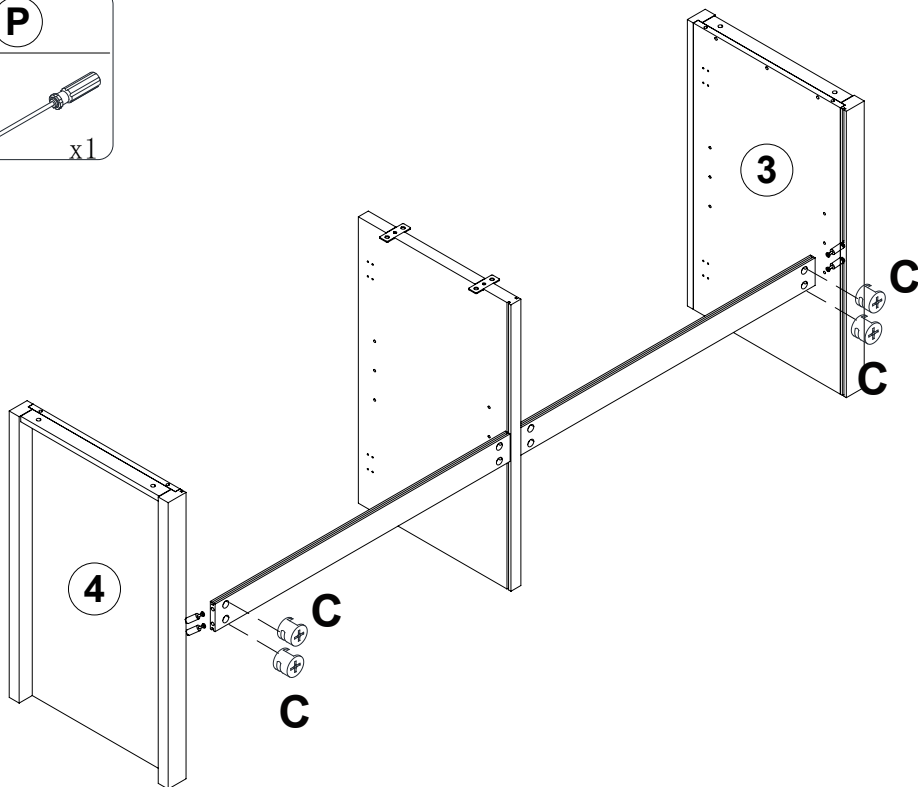
STEP 3

C	P
 x4	 x1

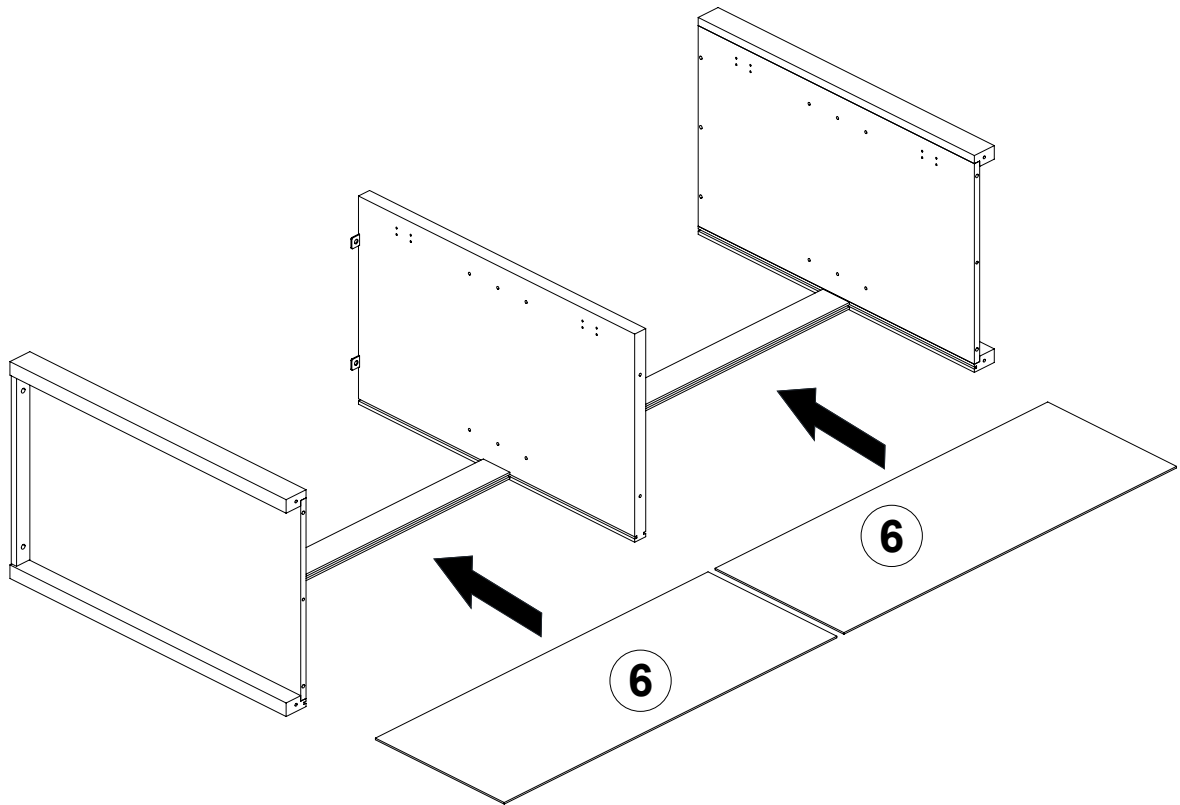


STEP 4

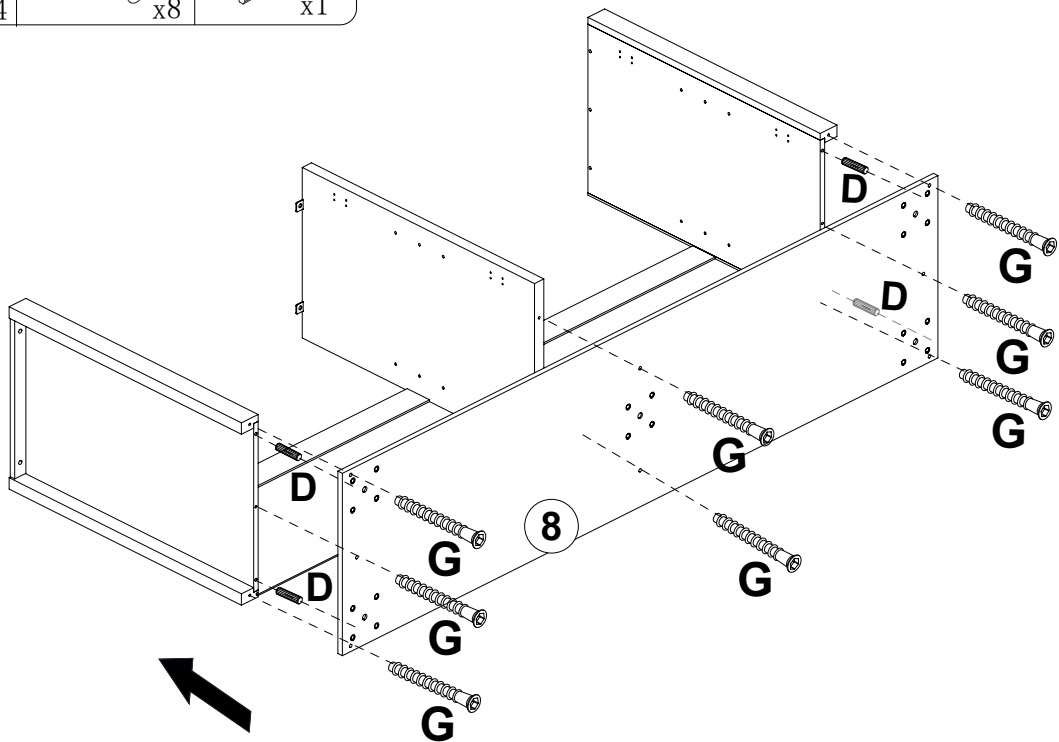
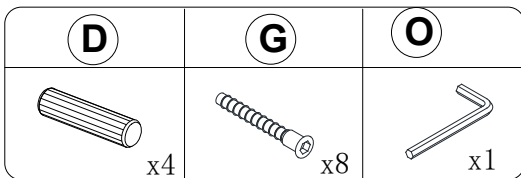
C	P
 x4	 x1



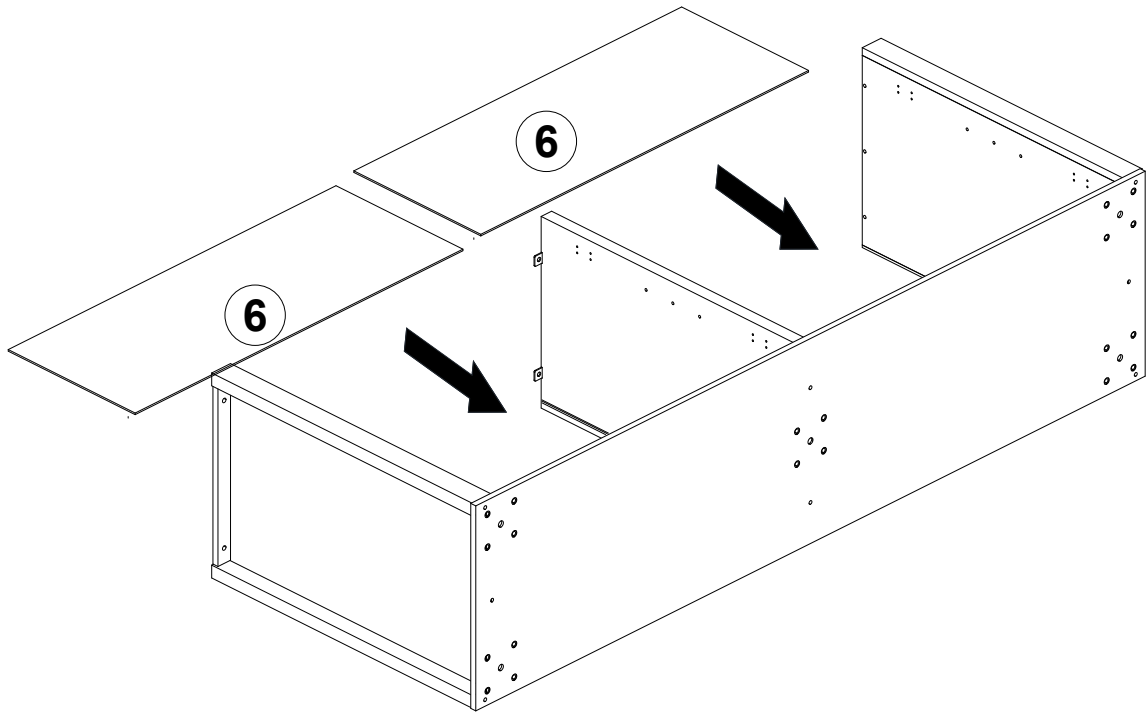
STEP 5



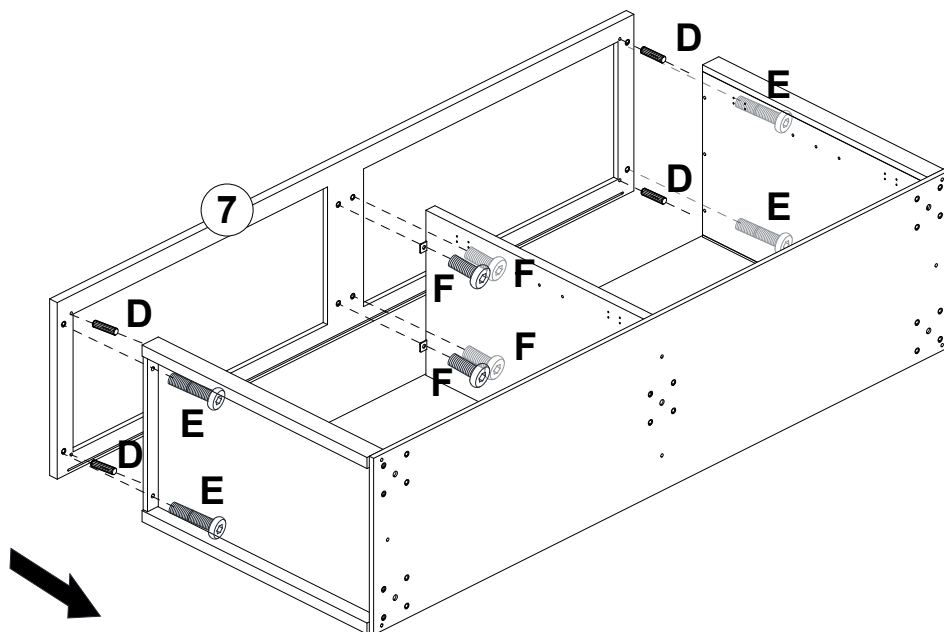
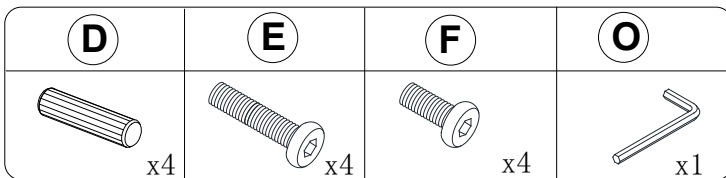
STEP 6



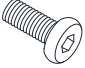

STEP 7

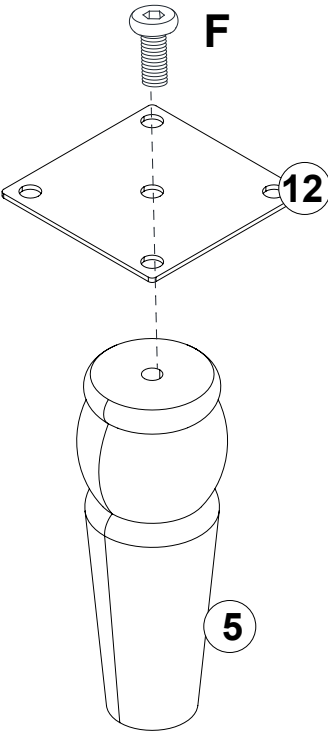


STEP 8



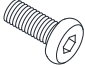

STEP 9

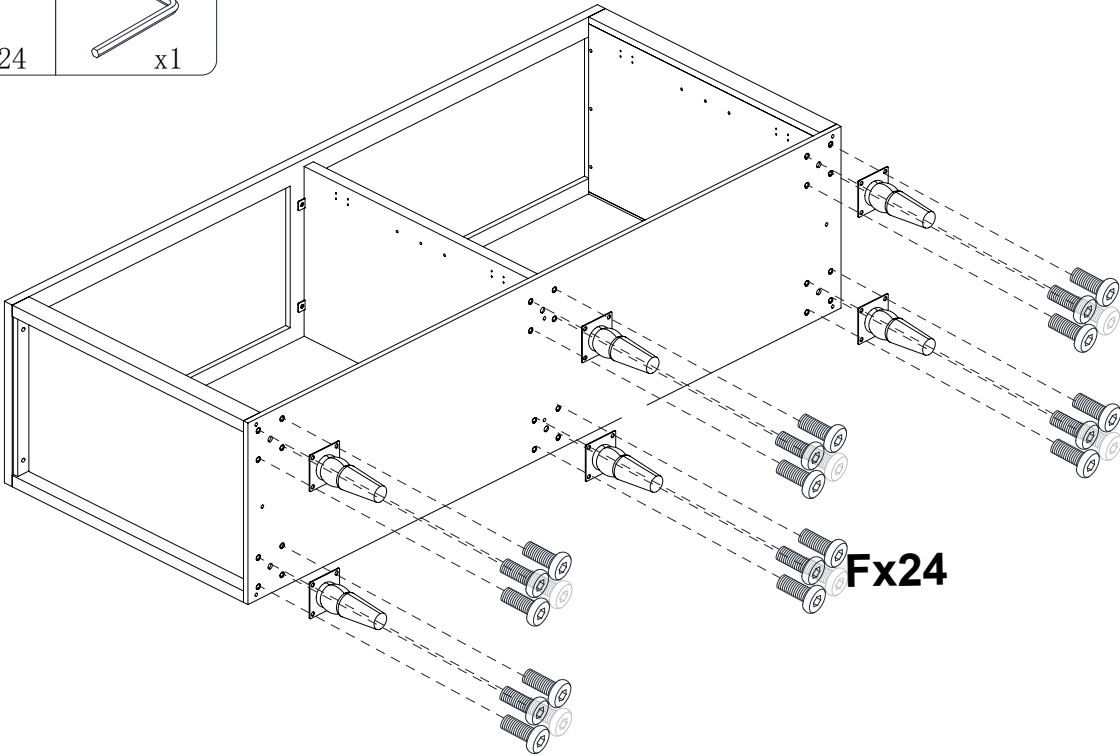
F	O
 x6	 x1



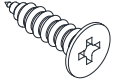
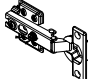
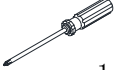
X6

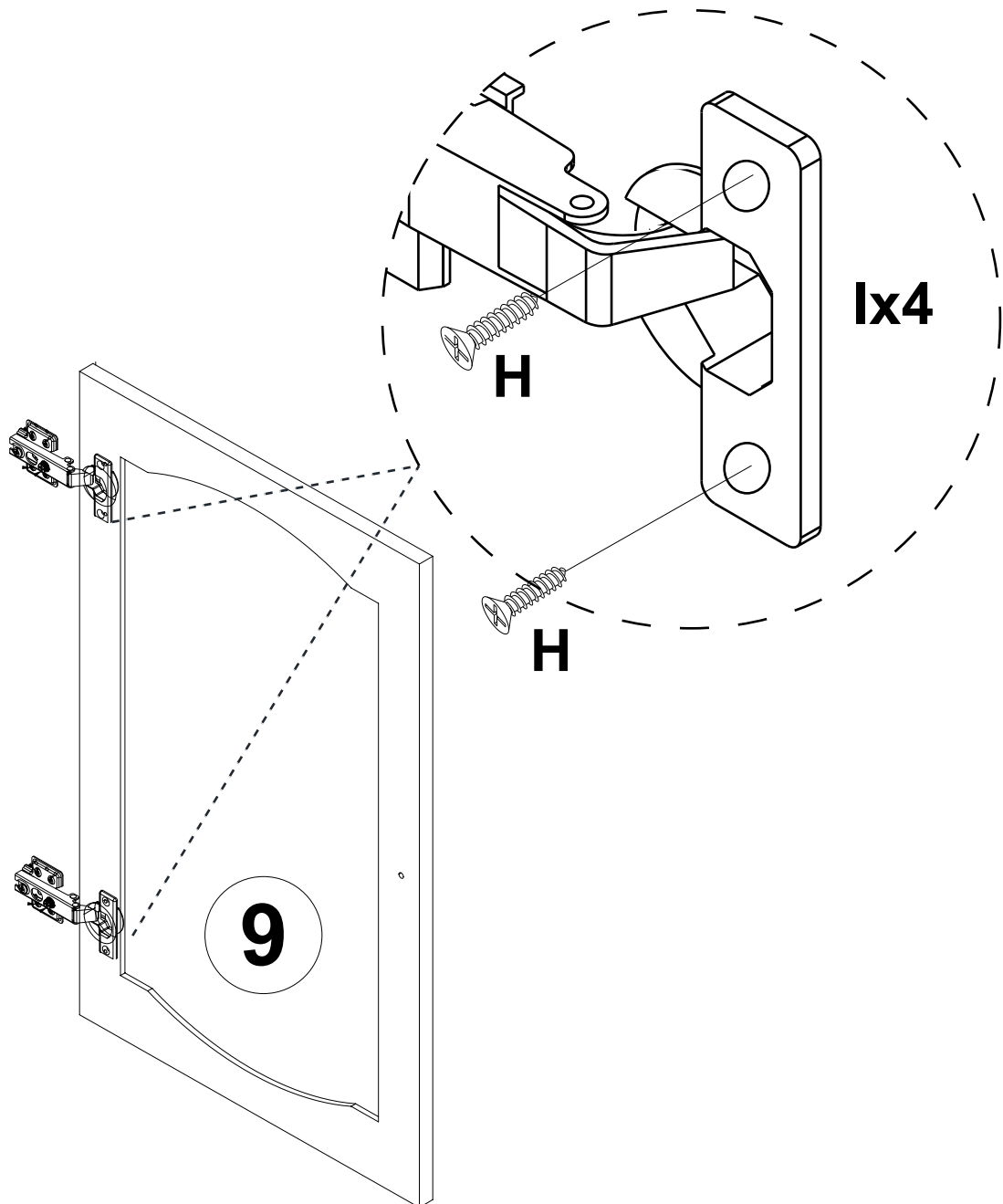
STEP 10

F	O
 x24	 x1



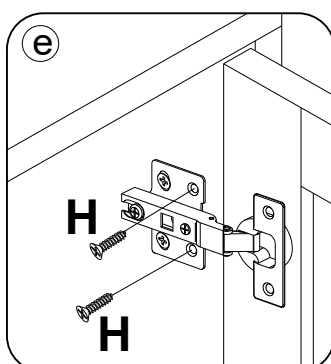
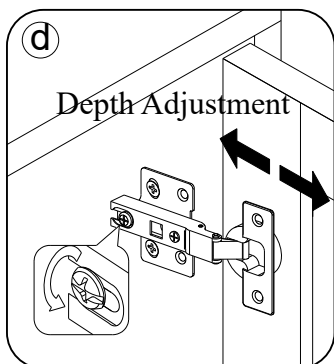
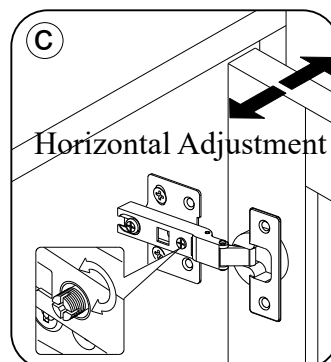
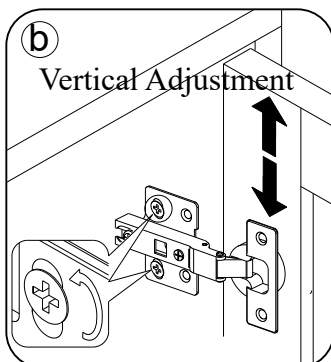
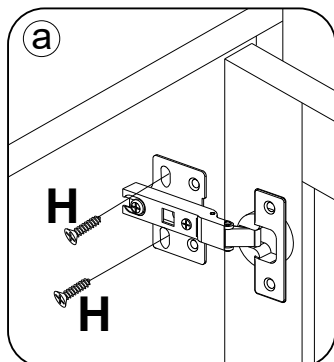
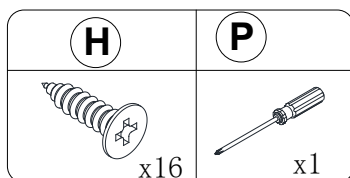
STEP 11

H	I	P
 x8	 x4	 x1

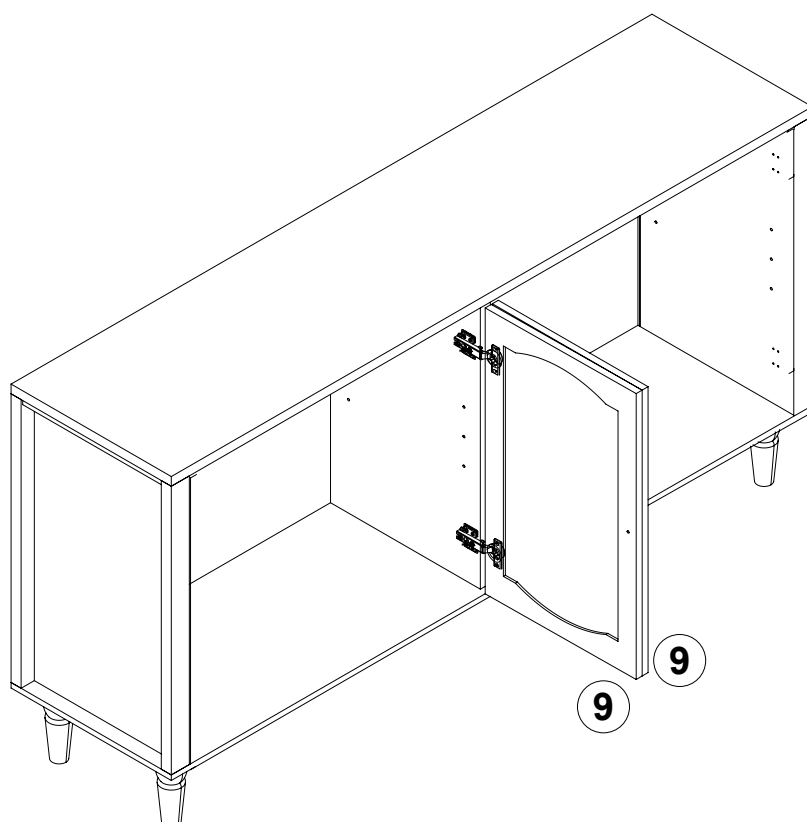


X2


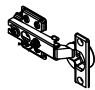
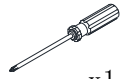
STEP 12

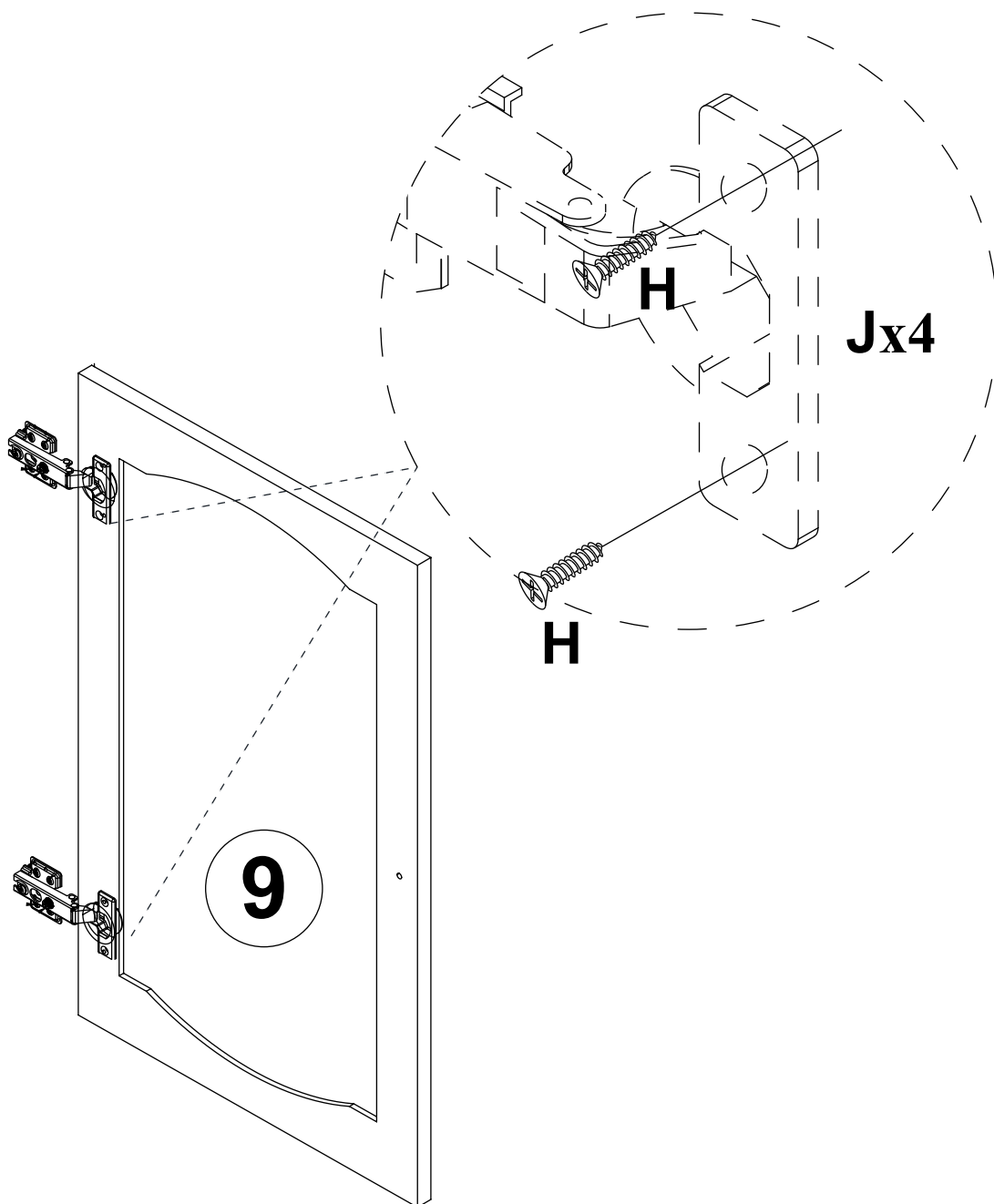


Please follow the above steps to install the door hinge.



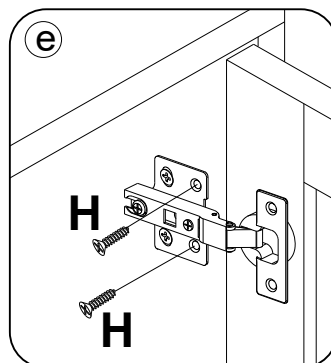
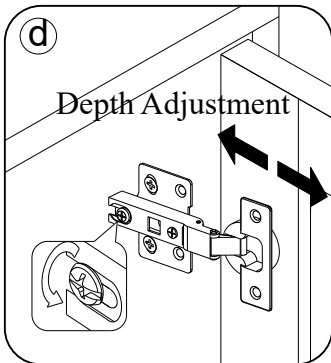
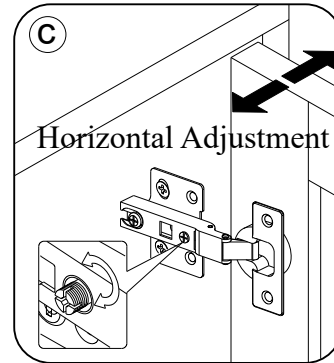
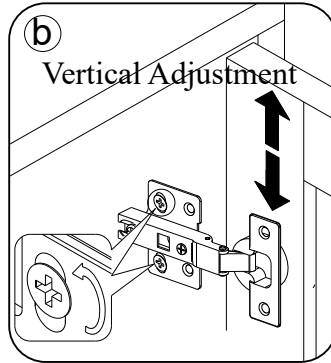
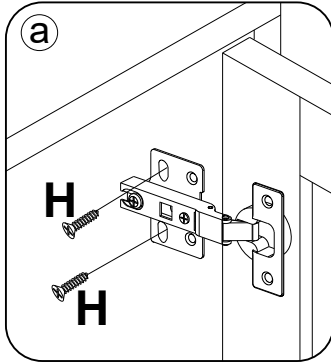
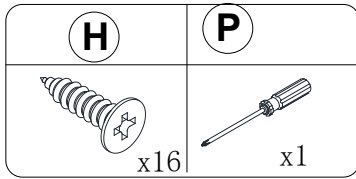
STEP 13

H	J	P
 x8	 x4	 x1

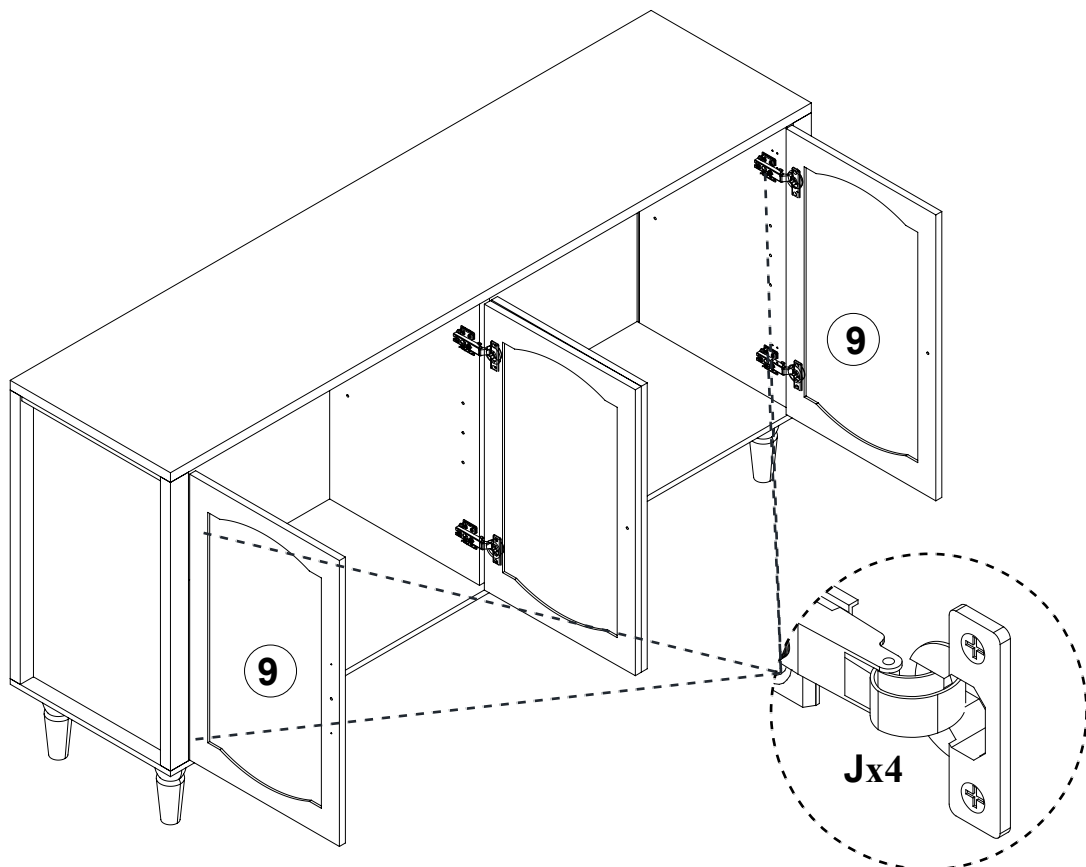


X2



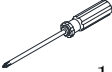
STEP 14

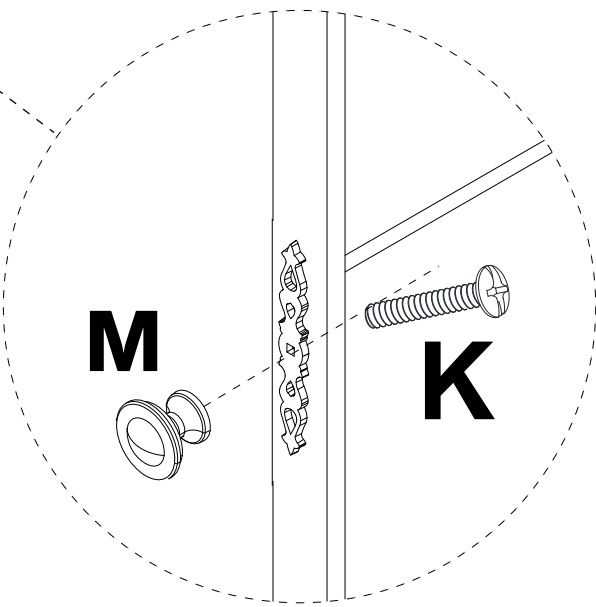
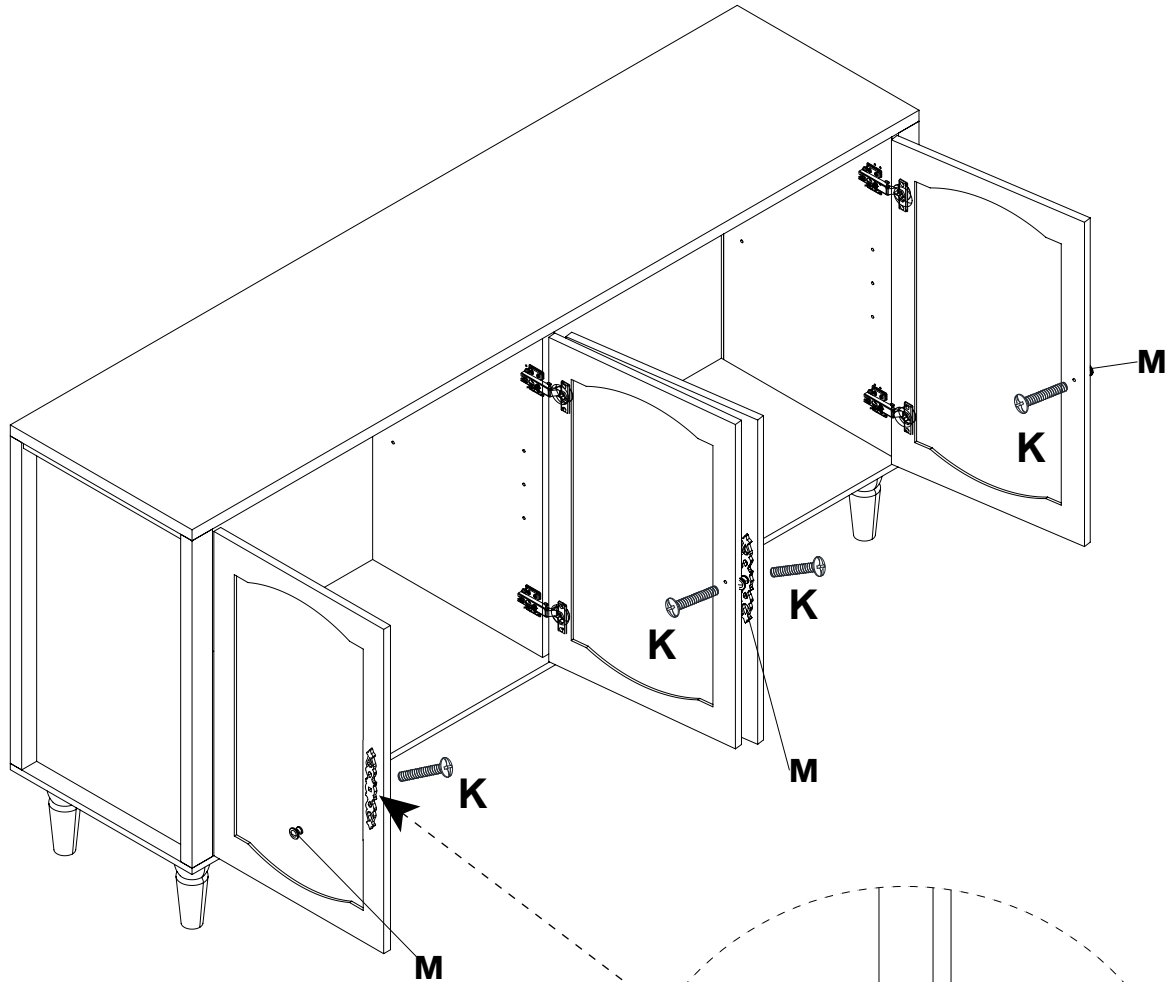


Please follow the above steps to install the door hinge.



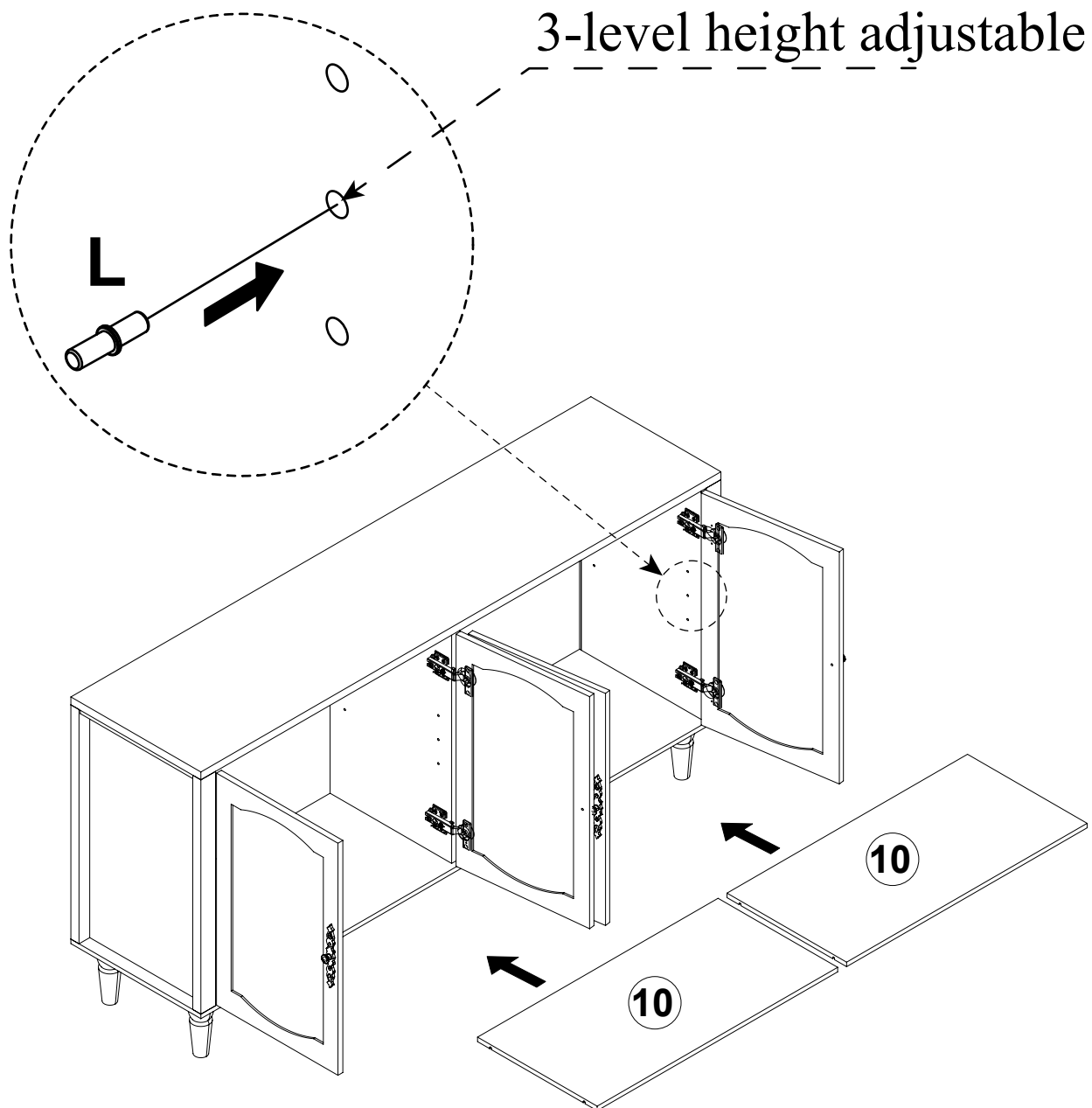
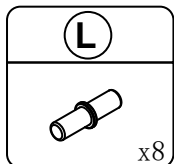
STEP 15

K	M	P
 x4	 x4	 x1



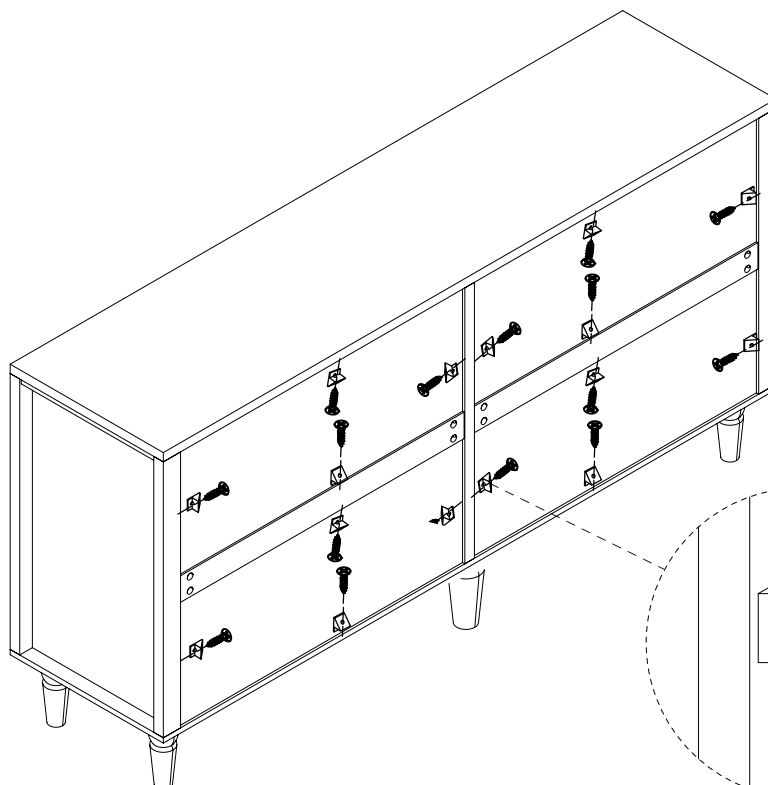
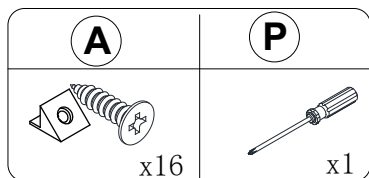
X4

STEP 16



⚠ **Note:** Insert hardware into pre-drilled holes—no hammering required. Forcing or knocking may damage the panels.

STEP 17



STEP 18

