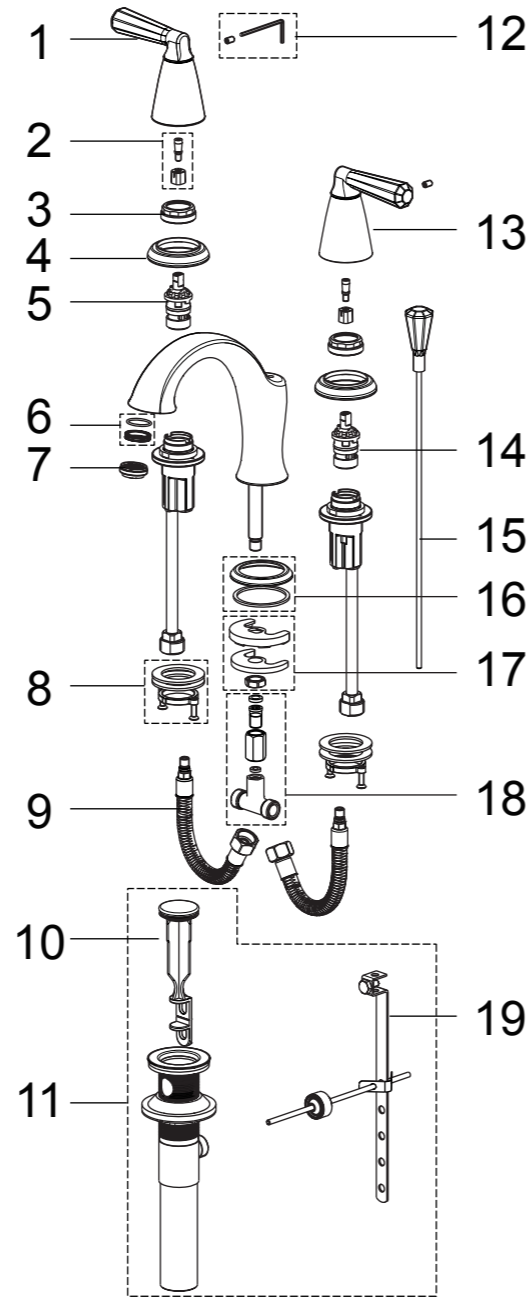




NO.	Description	Part No.
1	Handle (Hot)	5C0001900CP0
2	Connector Assembly	9Q225100CP/AP/HA
3	Nut	5T1C0213NT
4	Base	5N0003400CP0
5	Cartridge (Hot)	51012113NT
6	Aerator Housing Assembly	9Q229800NT
7	Aerator	5E0004100PL0
8	Mounting Hardware	9Q224500NT
9	Hose Assembly	52013307PL7
10	Drain Plug Assembly	622012052
11	Pop-Up Assembly	5Y0M0088CP/AP/HA
12	Screw & Allen Key	9Q229600NT
13	Handle (Cold)	5C0001901CP0
14	Cartridge (Cold)	51012114NT
15	Lift Rod	9Q224300CP/AP/HA
16	Base Assembly	9Q223800CP/AP/HA
17	Spout Mounting Hardware	9Q224400NT
18	Tee Assembly	9Q229900NT
19	Leverage Assembly	9Q230000NT

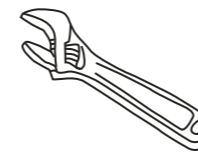


Installation/Installation/Instalación

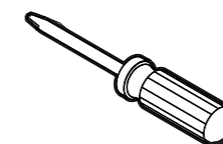
CUSTOMER SERVICE
TOLL-FREE 1-888-OK-ULTRA (658-5872)



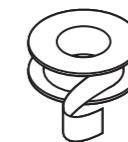
Tools You Will Need / Outils dont vous aurez besoin / Herramientas necesarias



Adjustable Wrench
Clé à molette
Llave ajustable



Phillips Screwdriver
Tournevis Phillips
Destornillador cruciforme



Pipe Tape
Ruban pour tuyau
Cinta selladora para rosca



Groove join pliers
Pince multiprise
Pinzas ajustables

Limited Lifetime Warranty

Ultra Faucets warrants to the original purchaser that its products will be free from defects in workmanship and materials. All Ultra Faucets are provided with a life time limited warranty. This warranty does not cover any other labor or service charges associated with the removal, repair, or reinstallation of Ultra Faucets products. This express warranty does not apply to products that have been damaged as a result of misuse, abuse, negligence, accident, faulty installation or maintenance practices and/or used in any manner contrary to those recommended by the manufacturer.

Need help? Please call our toll-free customer service line at 1-888-658-5872 for additional assistance or service.

Besoin d'aide? Veuillez communiquer avec notre service à la clientèle au numéro gratuit 1-888-658-5872 pour tous renseignements ou services complémentaires.

¿Requiere asistencia? Llame a nuestro Servicio al Cliente, sin costo, al 1-888-658-5872 para asistencia adicional o servicio.

SAFETY TIPS

- If you use soldering for the installation of the faucet, the seats, cartridges and washers will have to be removed before using flame. Otherwise, warranty will be void on those parts.
- Cover your drain to avoid losing parts.
- 0°C~55°C.

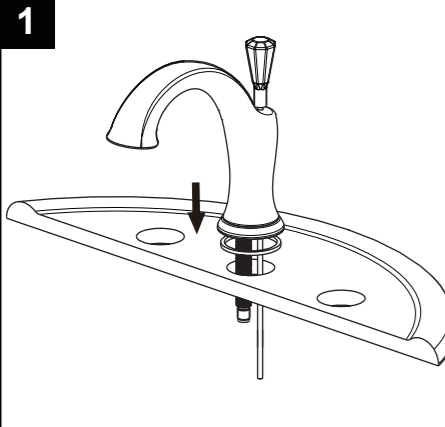
CONSIGNES DE SÉCURITÉ

- Si vous posez le robinet par brasage, il est essentiel de retirer les sièges, les cartouches et les rondelles avant d'appliquer la flamme, faute de quoi la garantie sur ces pièces sera annulée.
- Couvrez le drain pour ne pas perdre des pièces.
- 0°C~55°C.

CONSEJOS DE SEGURIDAD

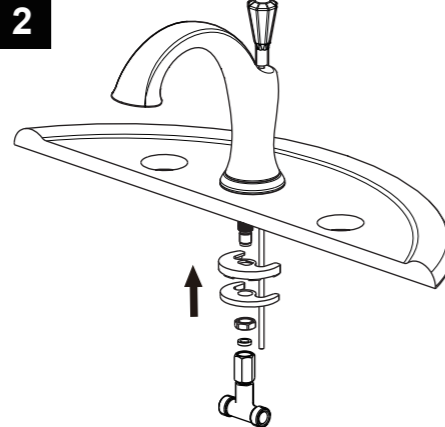
- En el caso de utilizar soldadura para instalar el grifo, remueva los asientos, cartuchos y arandelas antes de usar la llama. De lo contrario, se anulará la garantía para esos componentes.
- Tape la boca del desagüe para prevenir la pérdida de piezas pequeñas.
- 0°C~55°C.

1



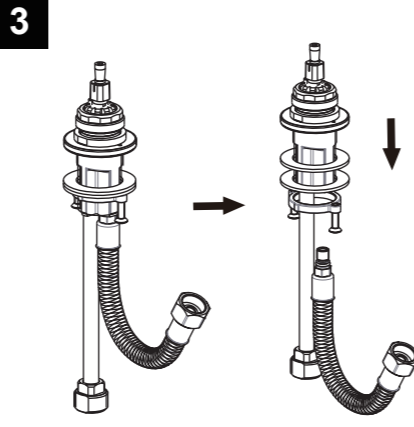
Lower spout into mounting hole.

2



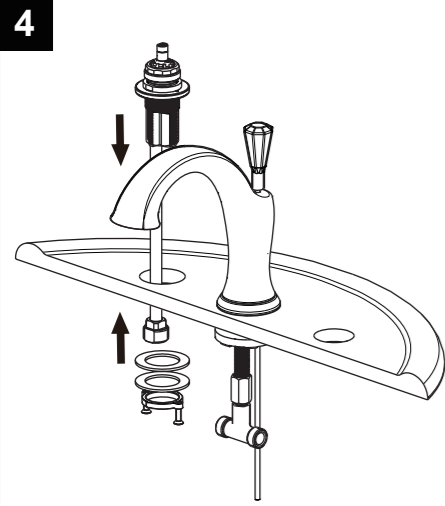
Secure spout with Mounting Hardware and install the Tee Assembly onto spout shank.

3



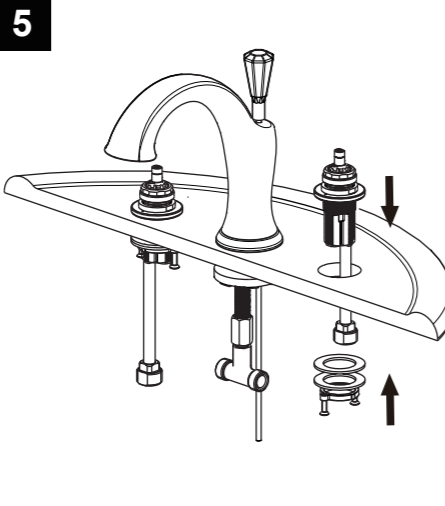
Remove the Hose and Mounting Hardware from Handle body Assembly.

4



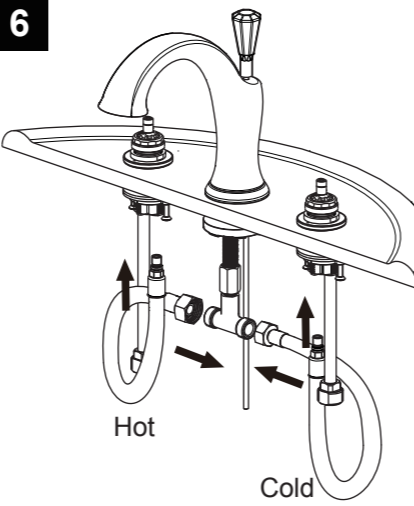
Install the Body Assembly (Hot) through the mounting hole onto the sink.

5



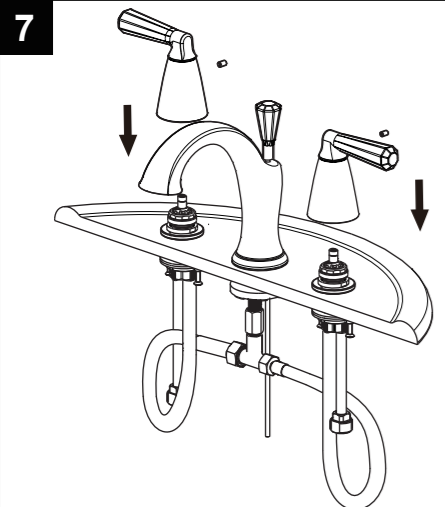
Install the Body Assembly (Cold) through the mounting hole onto the sink.

6



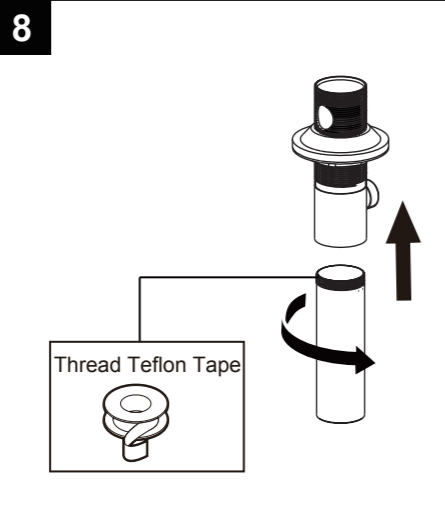
Install the one end of The Connecting Hose into the body, and The other Into the Connector on the Spout.

7



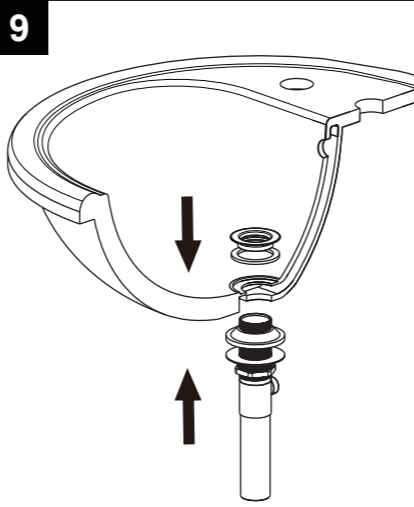
Install the Handle Assembly (Hot/Cold) into the Body Assembly (Hot/Cold).

8



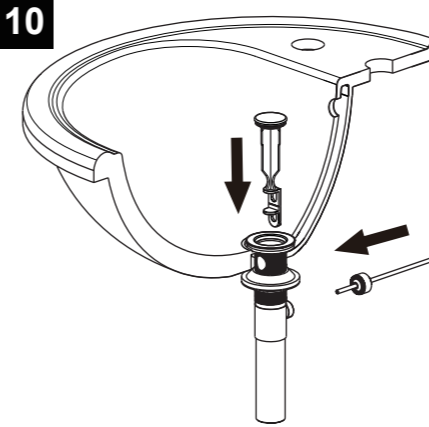
Apply teflon tape to the thread on the drain.

9



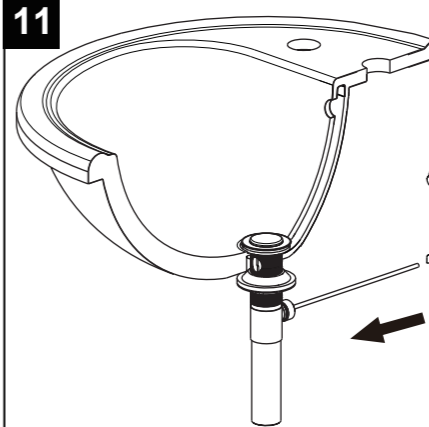
Slide drain trim and plug into drain hole and secure from below.

10



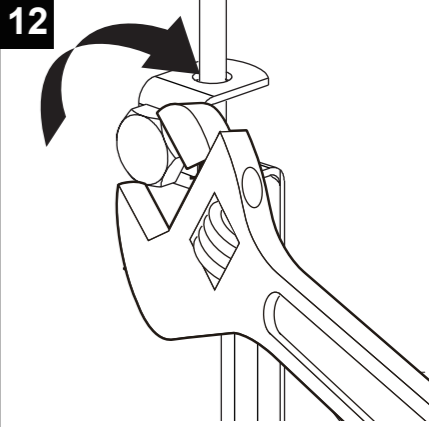
Install the Drain Plug Assembly and The Movable Rod Assembly into the Pop-Up Assembly.

11



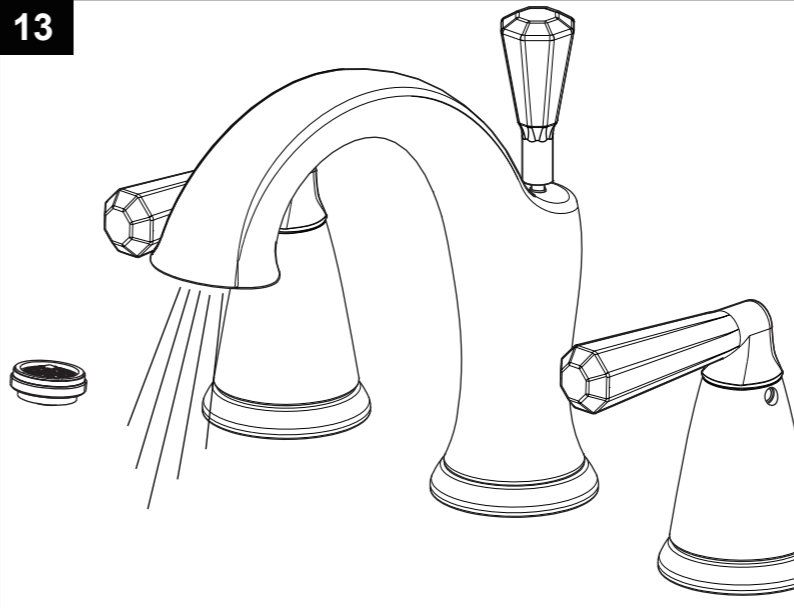
Fixed The steel clip and The Splint through The Movable Rod.

12



Tighten the Screw pull Lift Rod and The Splint.

13



Remove aerator with key and flush out debris. Reinstall aerator and save aerator key for maintenance.