

Assembly Instructions

Read all instructions before starting assembly:

Step #1 Remove all the contents from the package checking that all of the components listed in "Packaged" are included. Prepare a flat, protected work surface where the product can be assembled.

Step #2 Place Trunk Table (A) on its back, (Drawer will be up) and align one Turned Foot (B) with threaded insert hole in the bottom and screw into tightened position. Repeat procedure for remaining feet.

Step #3 Place Trunk Table into upright position.

(*Caution: Do not overtighten.

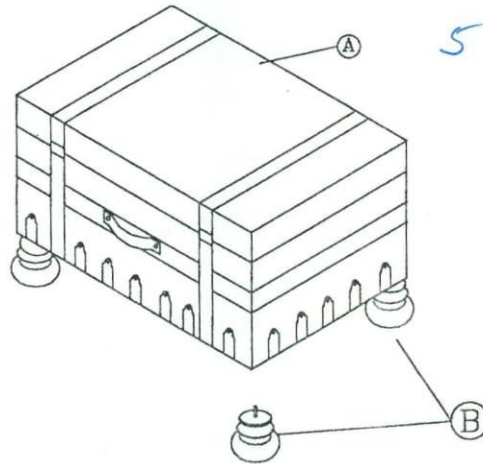
In any correspondence regarding this product, please include the complete identification number located on the underside of the product.

We hope that this Trunk Table will be a useful and decorative addition to your home for many years to come.

PACKAGED

- (A) 1 - TRUNK TABLE
- (B) 4 - TURNED FEET

*DRWR MEASURES
17 3/4" W x 17" L 5 1/2" D*



*18" W
17 1/2" D
5 H
DRWR
INSIDE.*