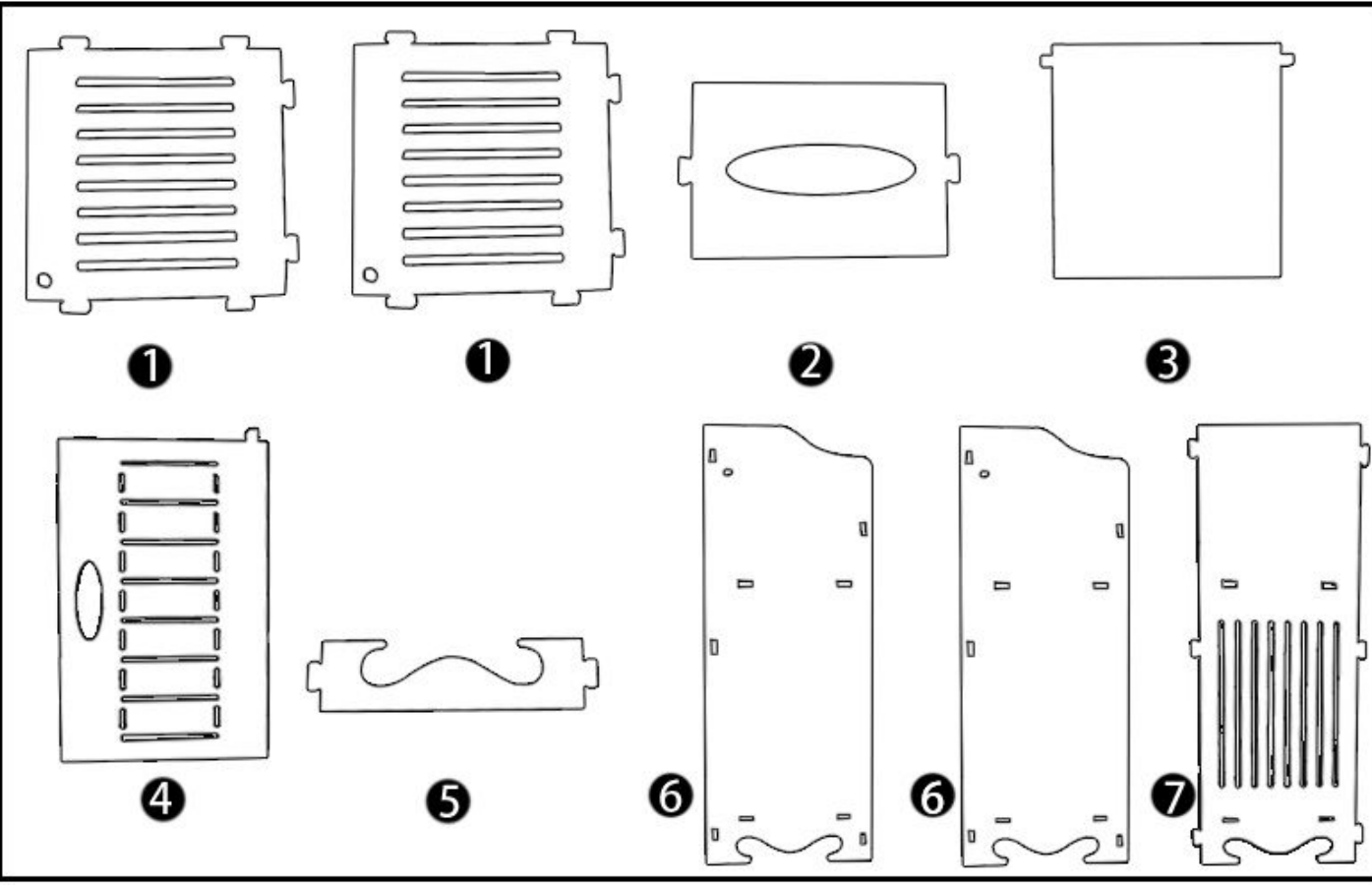


■ Open the box to check: Put all the plates as shown



1. Install Plate 1 on Back Plate 7



2. Install the Cabinet Door 4 in the middle of Plate 1



3. Install Side Plate 6



4. Install Strengthening Plate 5 on the side plate



5. Install Plate 2 and Plate 3



6. Install the final side plate