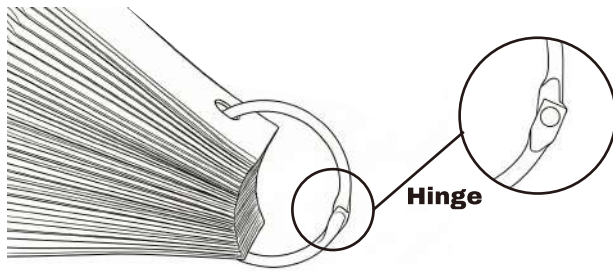


# Origami Paper Lampshade Assembly Guide

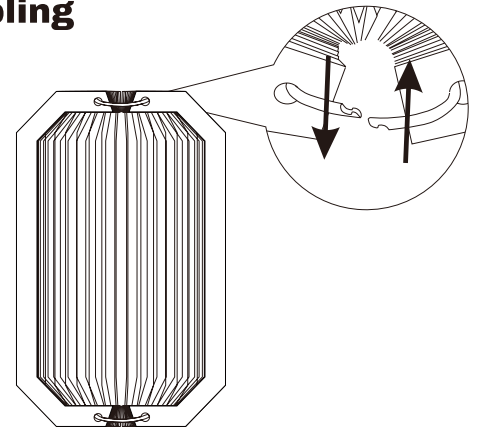
Read these instructions carefully and familiarise yourself with the procedure before assembling

1



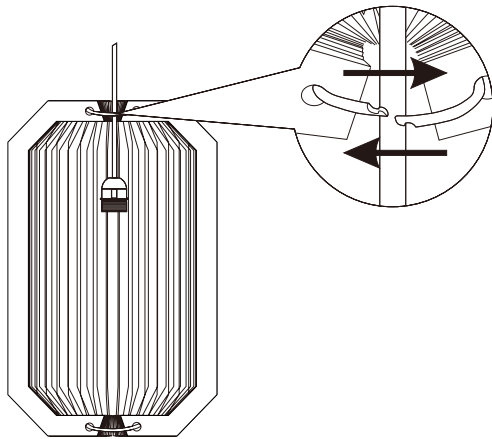
When unpacked, the hinge on the metal ring may be pointing outwards instead of the clasp.

2



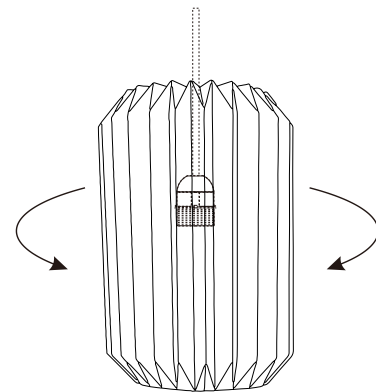
Carefully rotate the ring through the paper holes until the clasp is facing outwards and then apply some pressure to create an opening in the metal ring

3



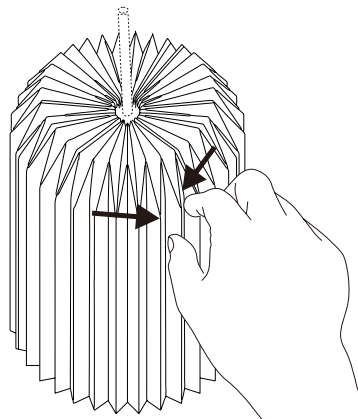
Place the open ring around the light fitting and close the clasp ensuring the clasp ends overlap and the ring sits evenly

4



Gently close the folded lampshade along pre-creased lines — don't force the folds.

5




Pinch the ends together to ensure the magnets have clicked together and the seam is perfect.

## Care Instructions

- Dust gently with a soft dry cloth or feather duster.
- Avoid moisture.
- Keep out of direct sunlight to prevent fading.
- Store flat when not in use

- DO NOT USE HALOGEN OR INCANDESCENT BULBS
- RECOMMENDED BULB SHAPE: G45 / Golf Ball or A60 LED
- KEEP BULB AWAY FROM DIRECT CONTACT WITH PAPER SHADE
- FOR INDOOR USE ONLY
- KEEP AWAY FROM OPEN FLAMES AND HIGH HEAT SOURCES

 **CAUTION**  
TO REDUCE THE RISK OF FIRE  
MAXIMUM WATTAGE - 5w -8w  
Use LED bulbs ONLY