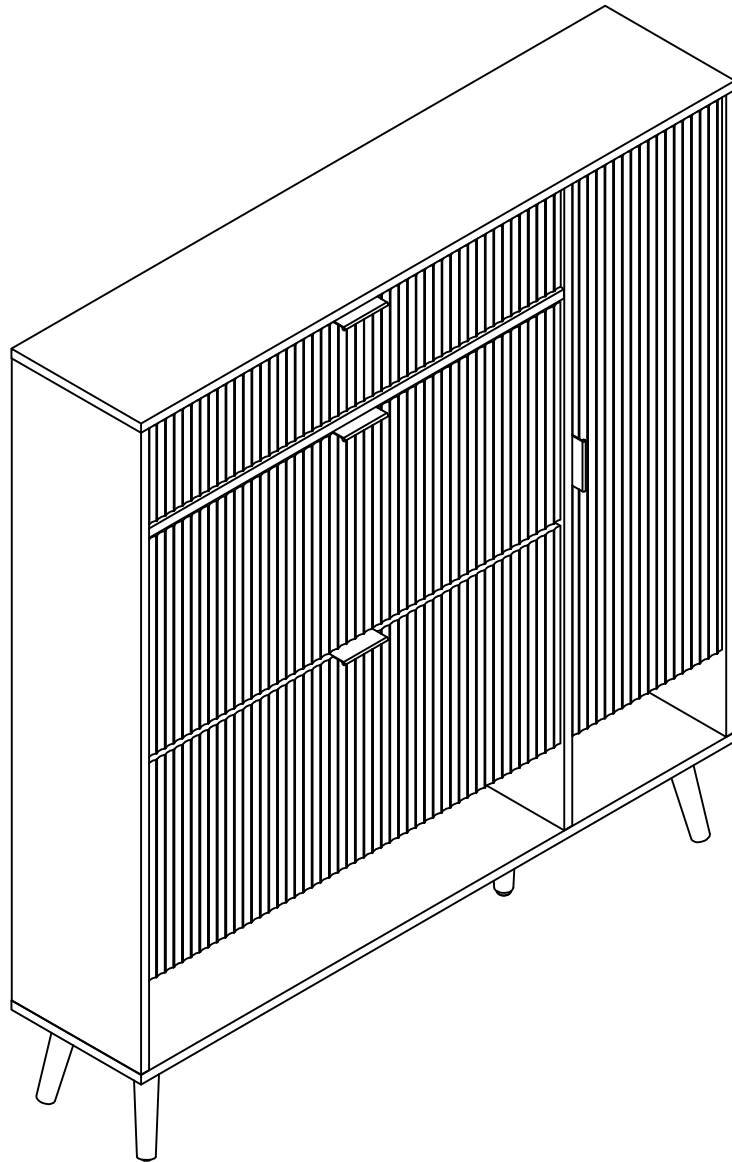


# Installation Instruction



# Assembling

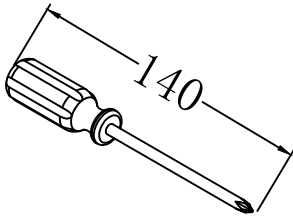
Estimated time for assembly



**45 : 00**

## What you need

- Use the packaging carton as a working surface to prevent product damage during assembly
- Phillips head screwdriver



- The length of the screwdriver is 140mm or less

## Weight Limitation



**100**

lbs table top

**35**

lbs per

# What' included

Code	Description	Qty
A	Cam Bolt M6X35MM	18
B	Cam Lock 15X10MM	18
C	Wooden Dowel M8X30MM	20
D	Screw M4X40MM	8
E	The screw M3.5X14MM	78
F	Inner Shaft	4
G	Stopper	4
H	External Shaft	4
I	Adjustable foot pads	1
L	Left Plastic Holder	2
R	Right Plastic Holder	2
J	The back button	20
M	Metal shake handhandle	4
N	Screw M4X10MM	4
O	Shelf Holder	12
P	Anchor	2
Q	Shelf Holder	1
K	Metal connector	2
S	Iron absorption	3
T	he screw M3.0X14MM	6

# Assembling

---

# What' included

Code	Description	Qty
U	Shelf Holder	4
V	The screw M3.5X14MM	20

Estimated time for assembly

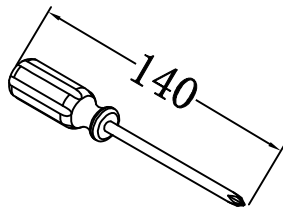


**45 : 00**

---

## What you need

- Use the packaging carton as a working surface to prevent product damage during assembly
- Phillips head screwdriver



- The length of the screwdriver is 140mm or less
- 

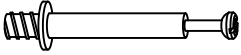
## Weight Limitation



**100** | **35**  
lbs table top    lbs per

# The Hardwares

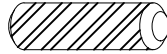
A



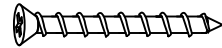
B



C



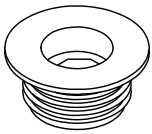
D



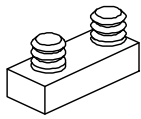
E



F



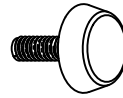
G



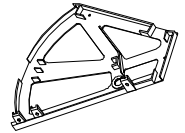
H



I



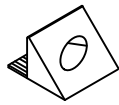
L



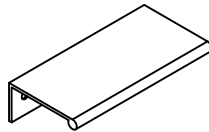
R



J



M



N



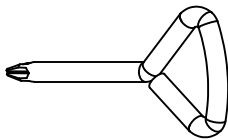
O



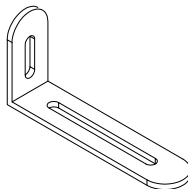
P



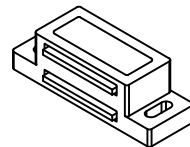
Q



K



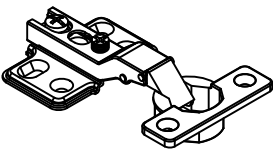
S



T



U



V



## IMPORTANT:

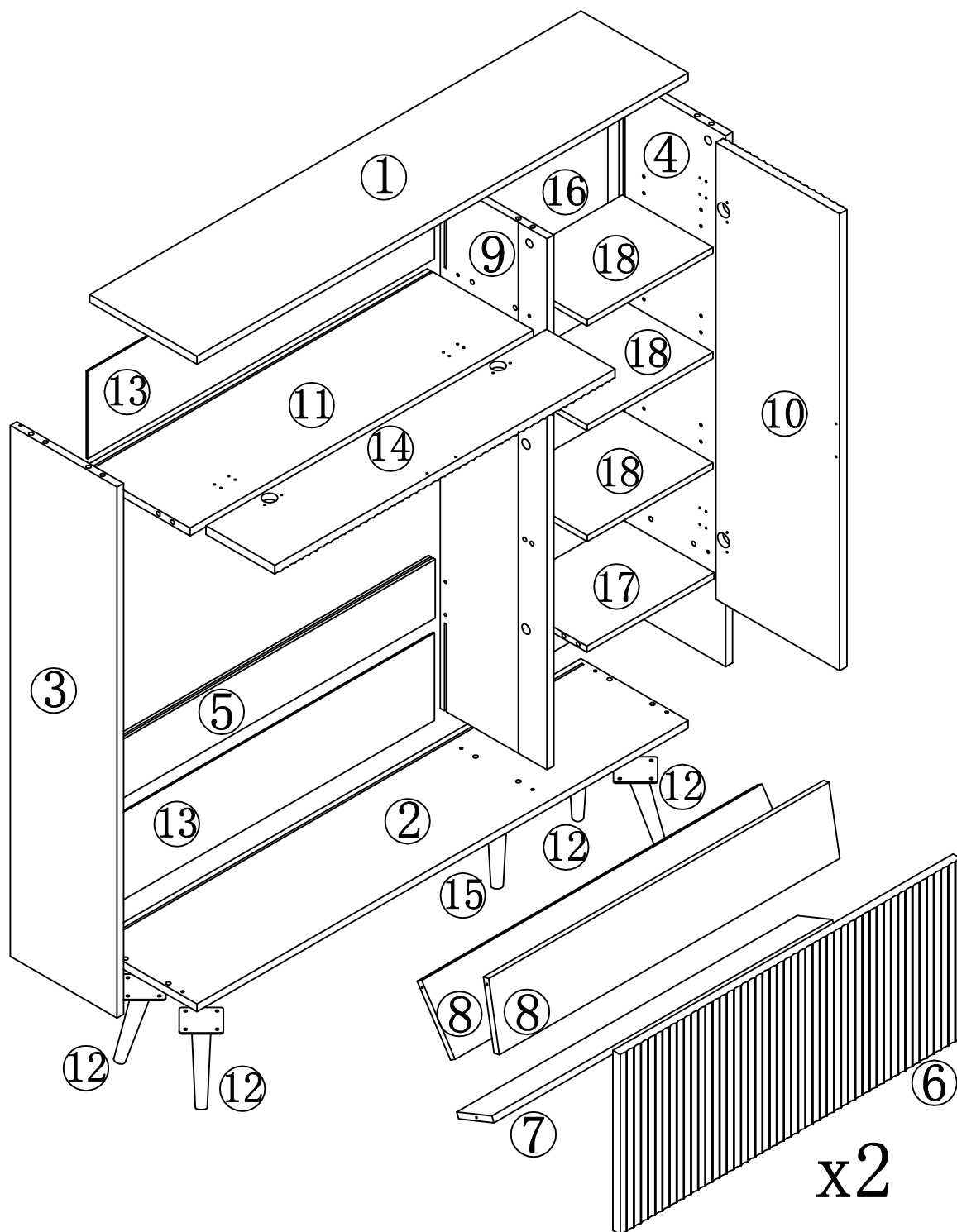
1. Do not tighten bolts / screws completely until all bolts / screws are lined up and inserted into holes.
2. Do not over tighten screws and bolts to avoid stripping
3. Please use hand tools to assemble this product. Do not use power tools.

# Included Accessories

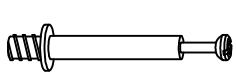

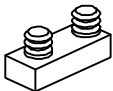
---

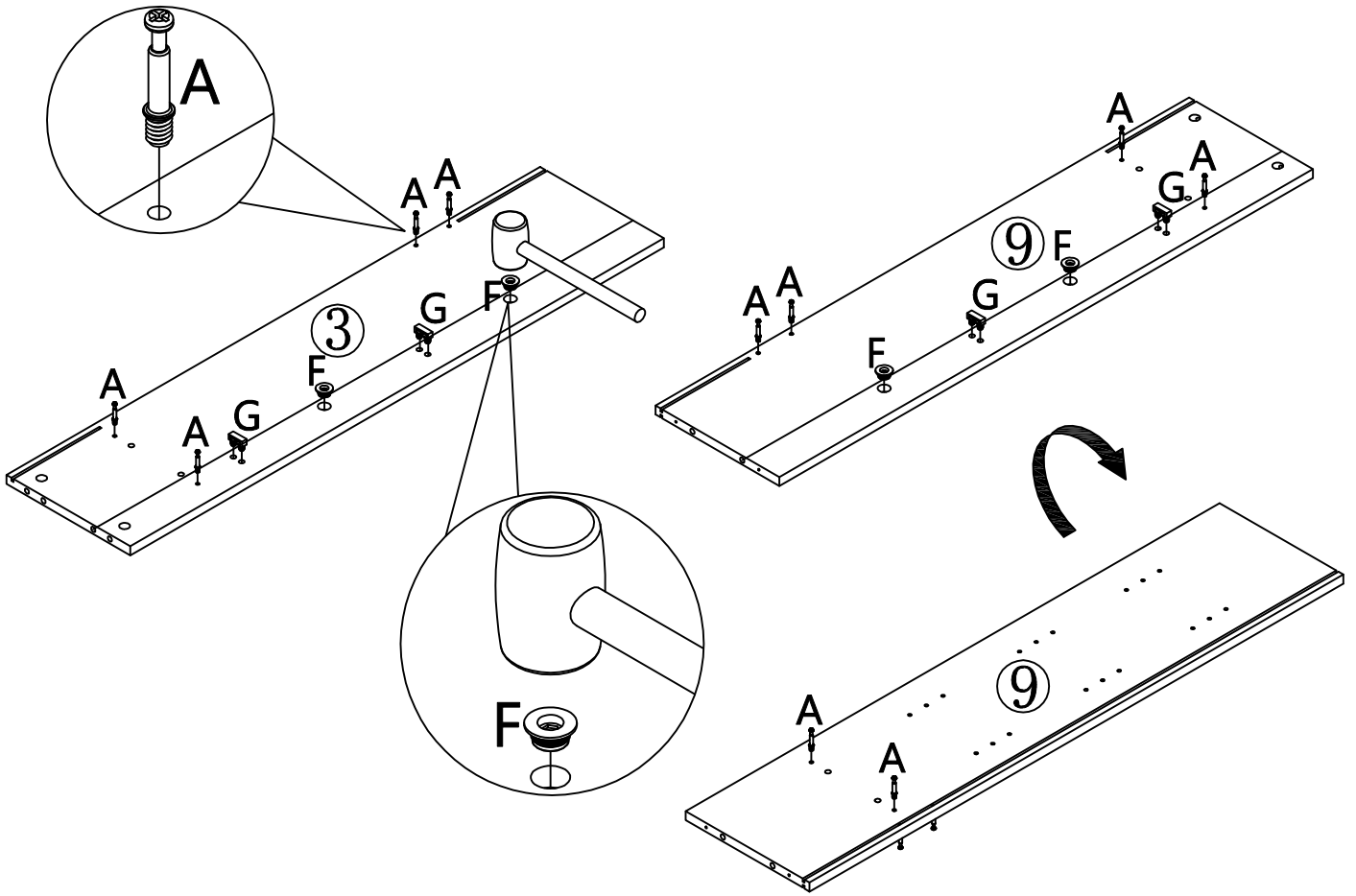
Code	Description	Qty
1	Cabinet Top	1
2	Bottom Panel	1
3	Left Side Panel	1
4	Right Side Panel	1
5	Back stiffener	1
6	Door	2
7	Inner lamella	2
8	Large inner plate	4
9	Middle Division Panel	1
10	SDoor leaf	1
11	laminate	1
12	Inclined metal foot	4
13	On the rear panell	2
14	Door leaf	1
15	Straight metal foot	1
16	On the rear panell	1
17	laminate	1
18	Shelf	3

# The Accessoriess

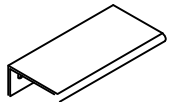

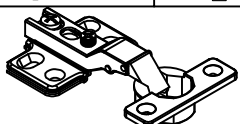


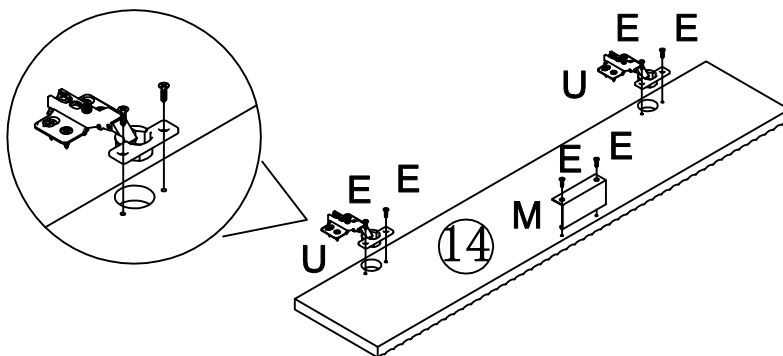
# Step 1

A	×10	F	×4	G	×4
					



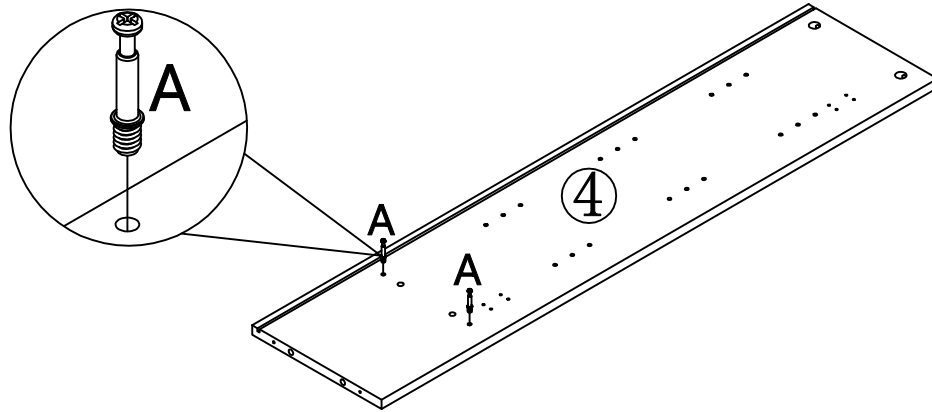
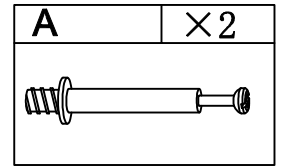
# Step 2

M	×1	E	×6	U	×2
					

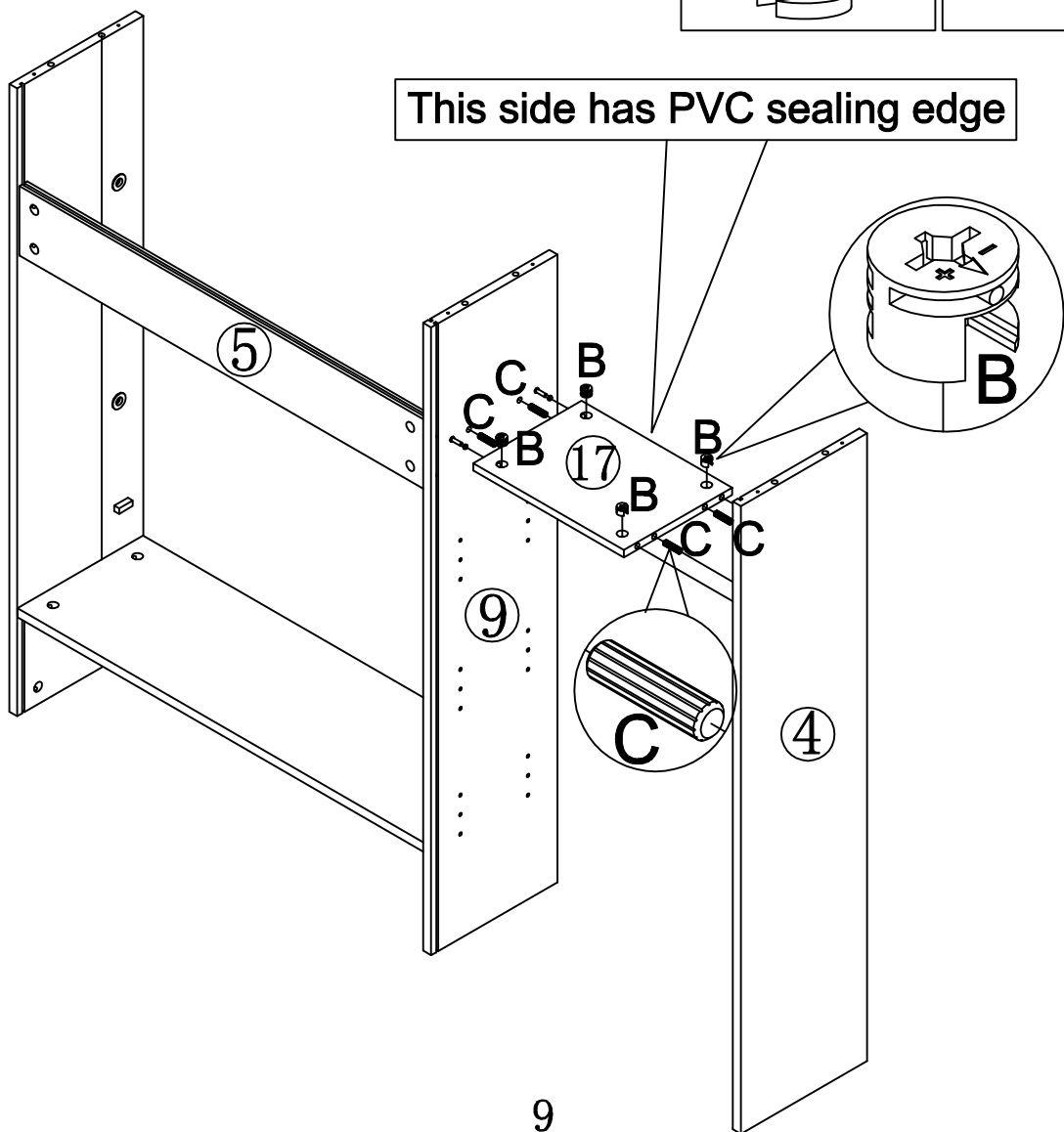
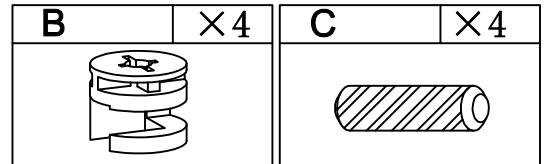




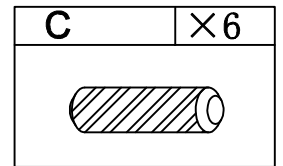
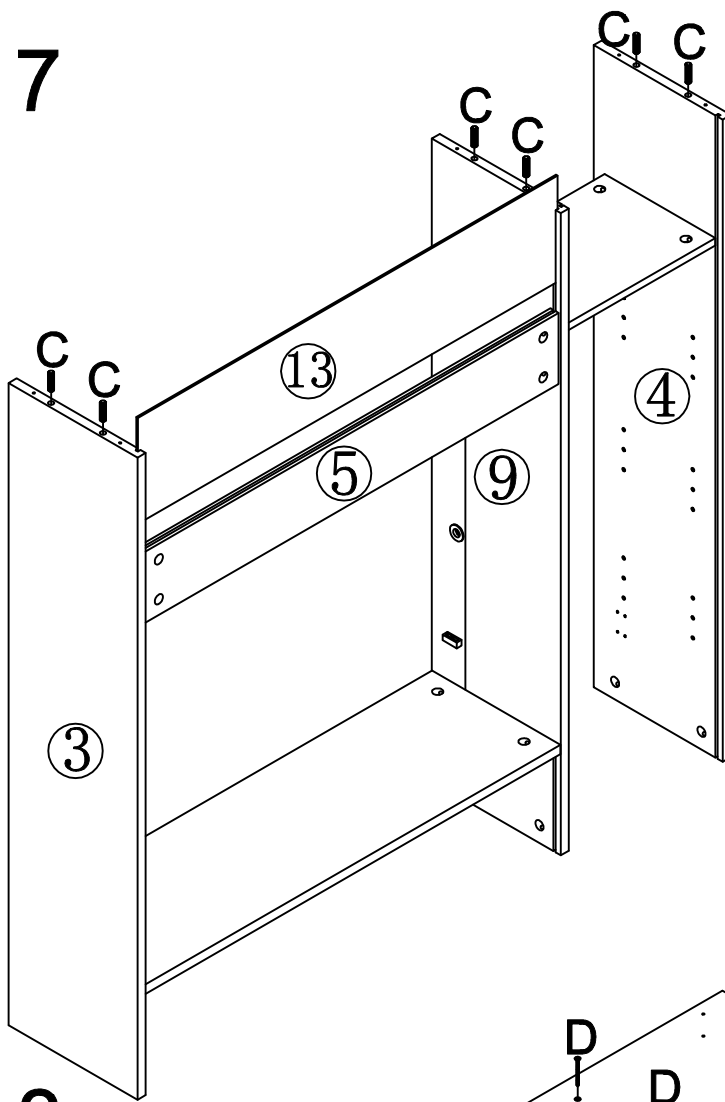
# Step 5



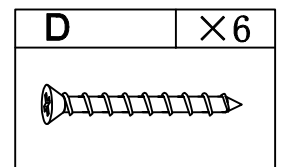
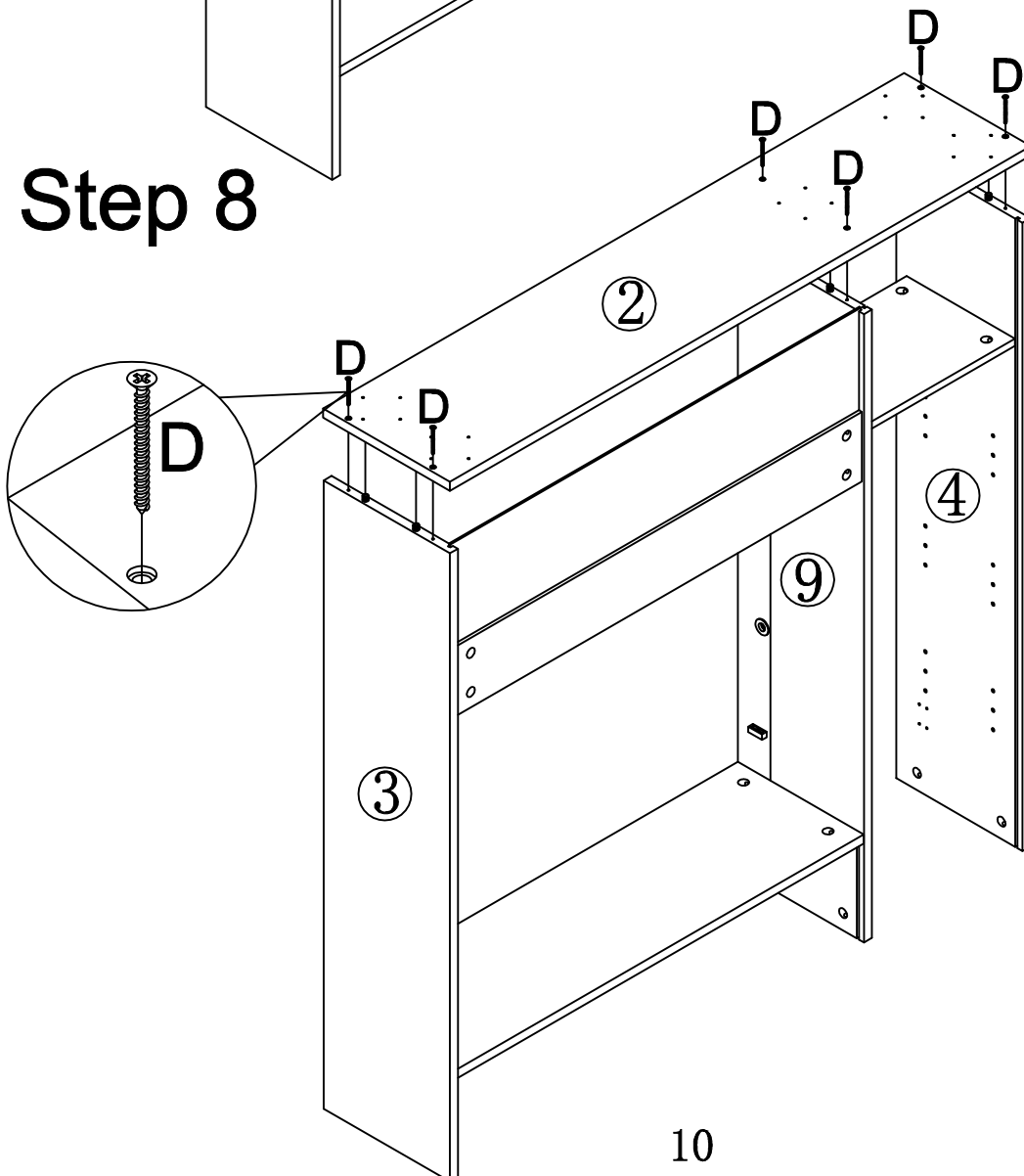
# Step 6



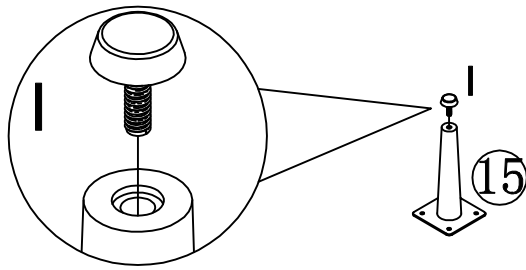
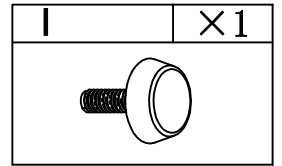
# Step 7



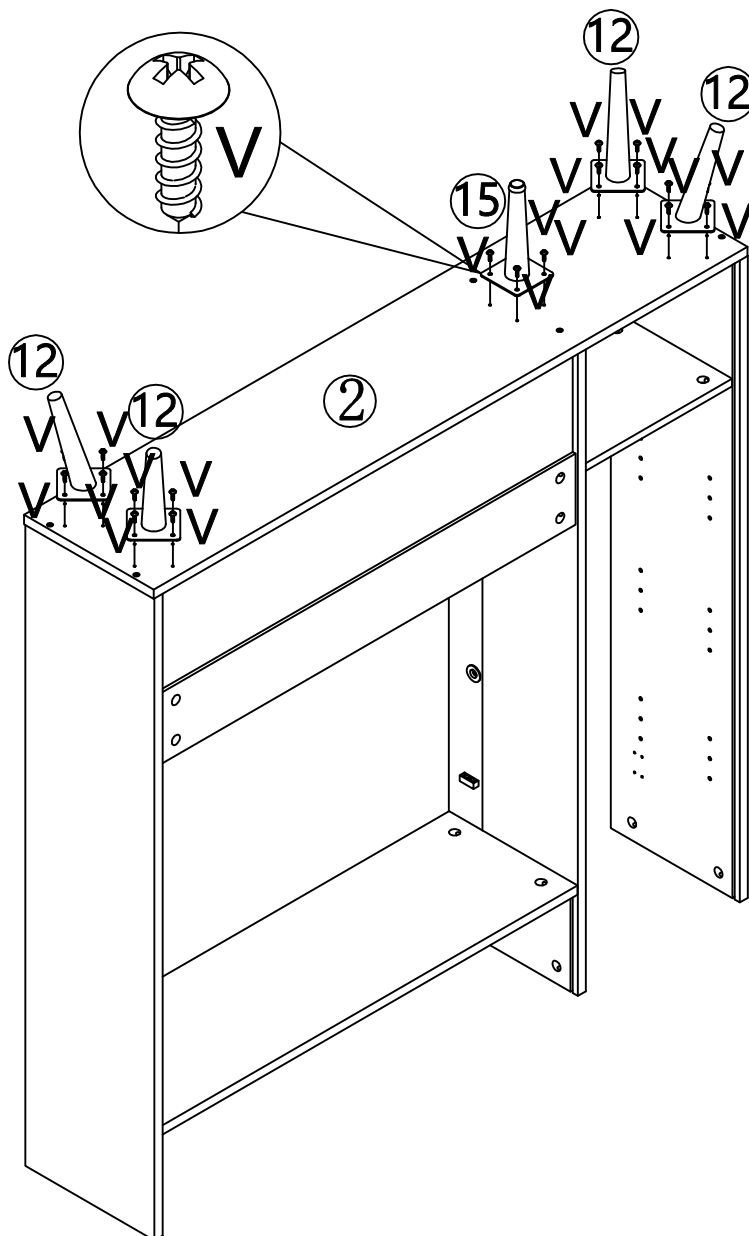
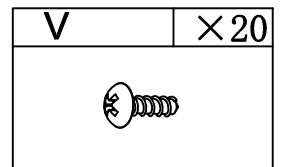
# Step 8



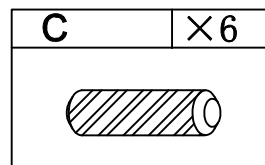
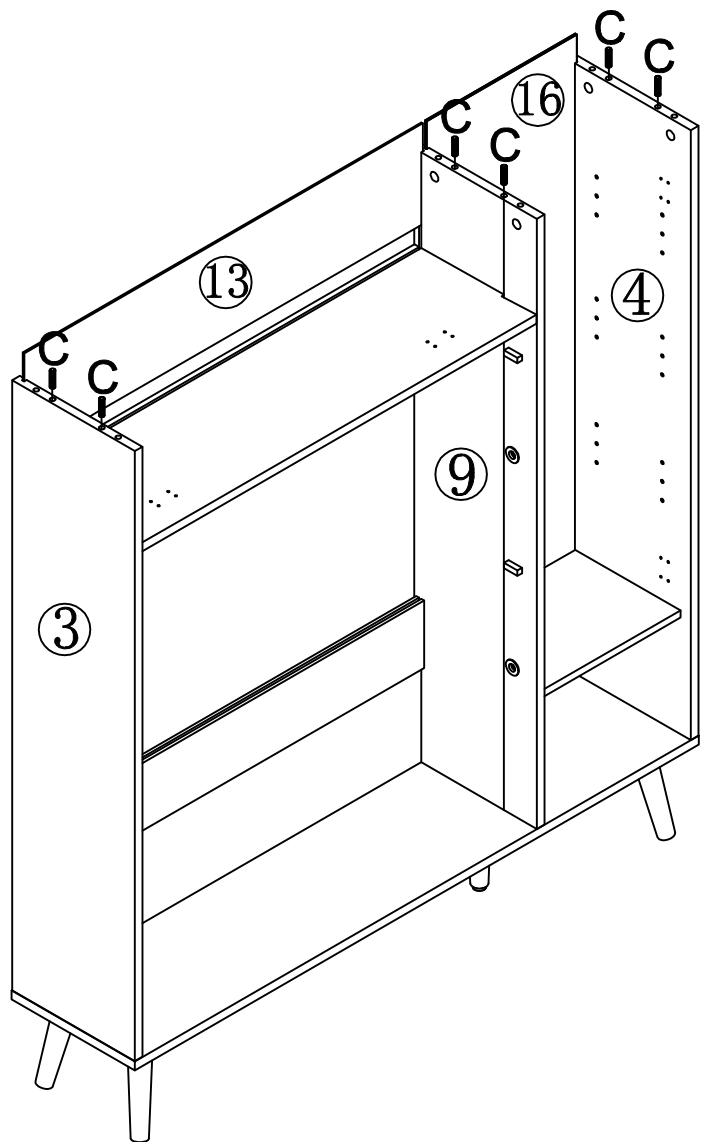
# Step 9



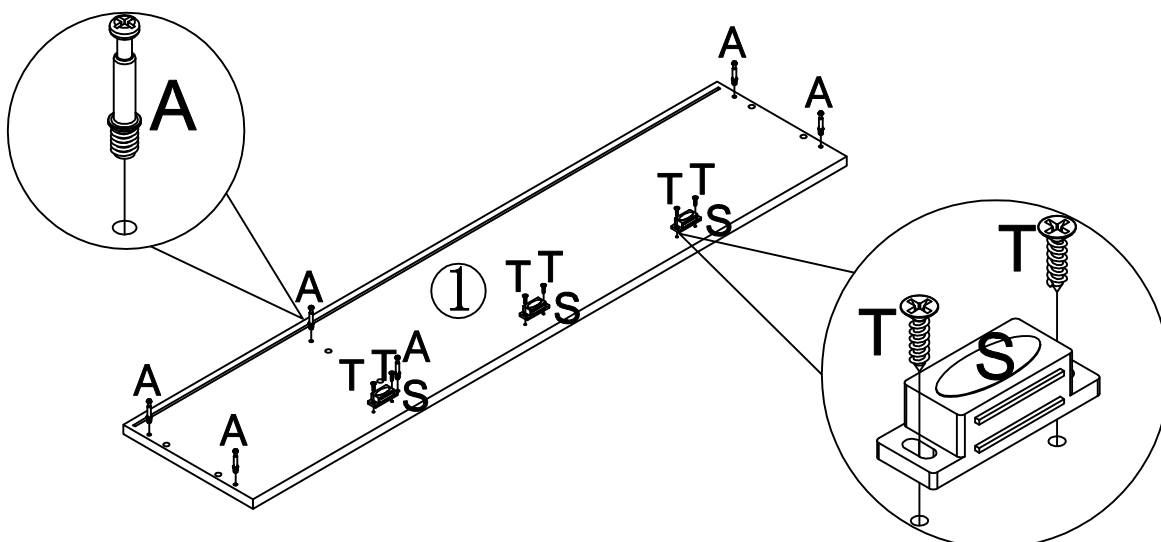
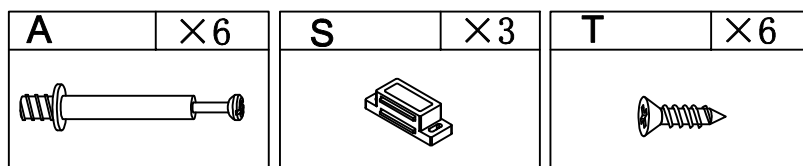
# Step 10



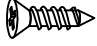
# Step 11

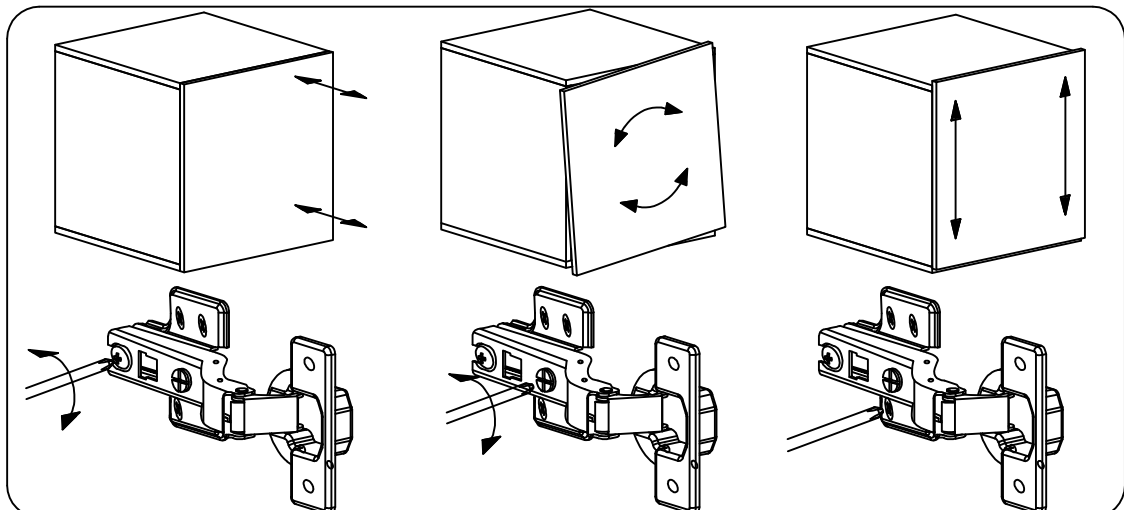
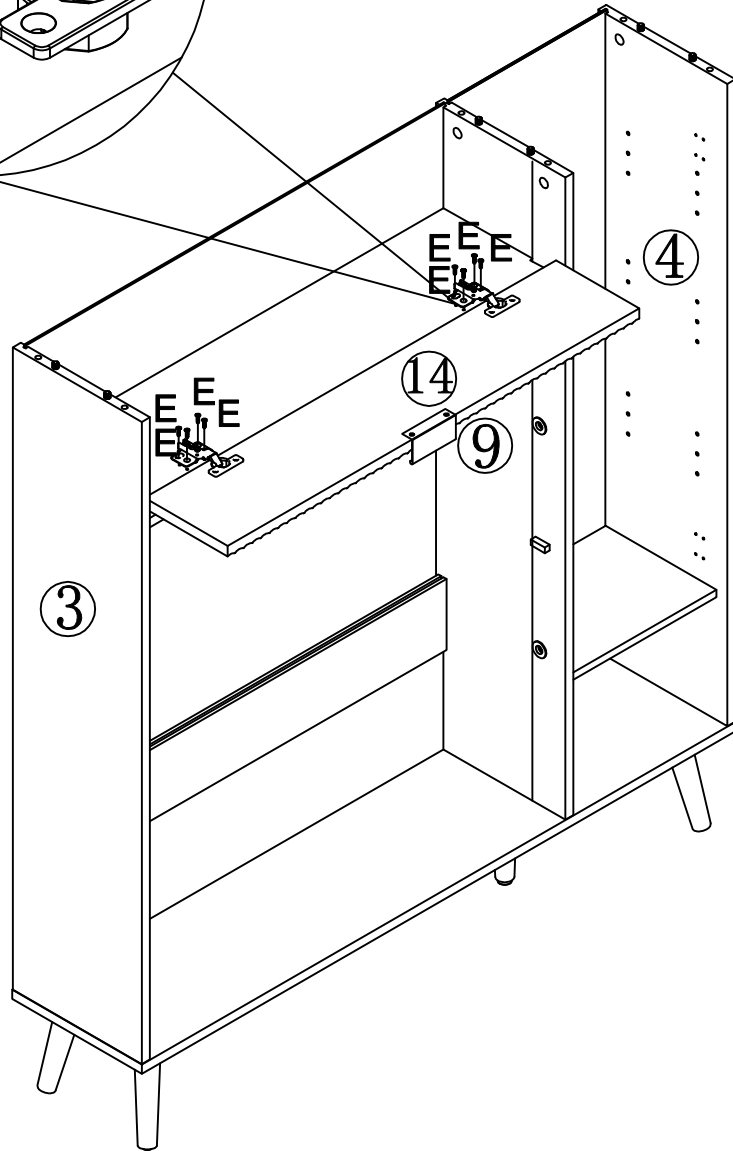
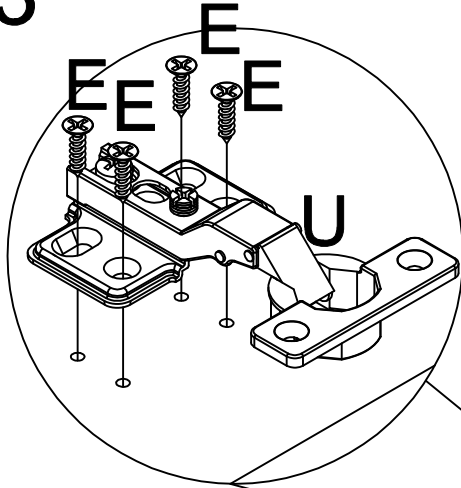


# Step 12

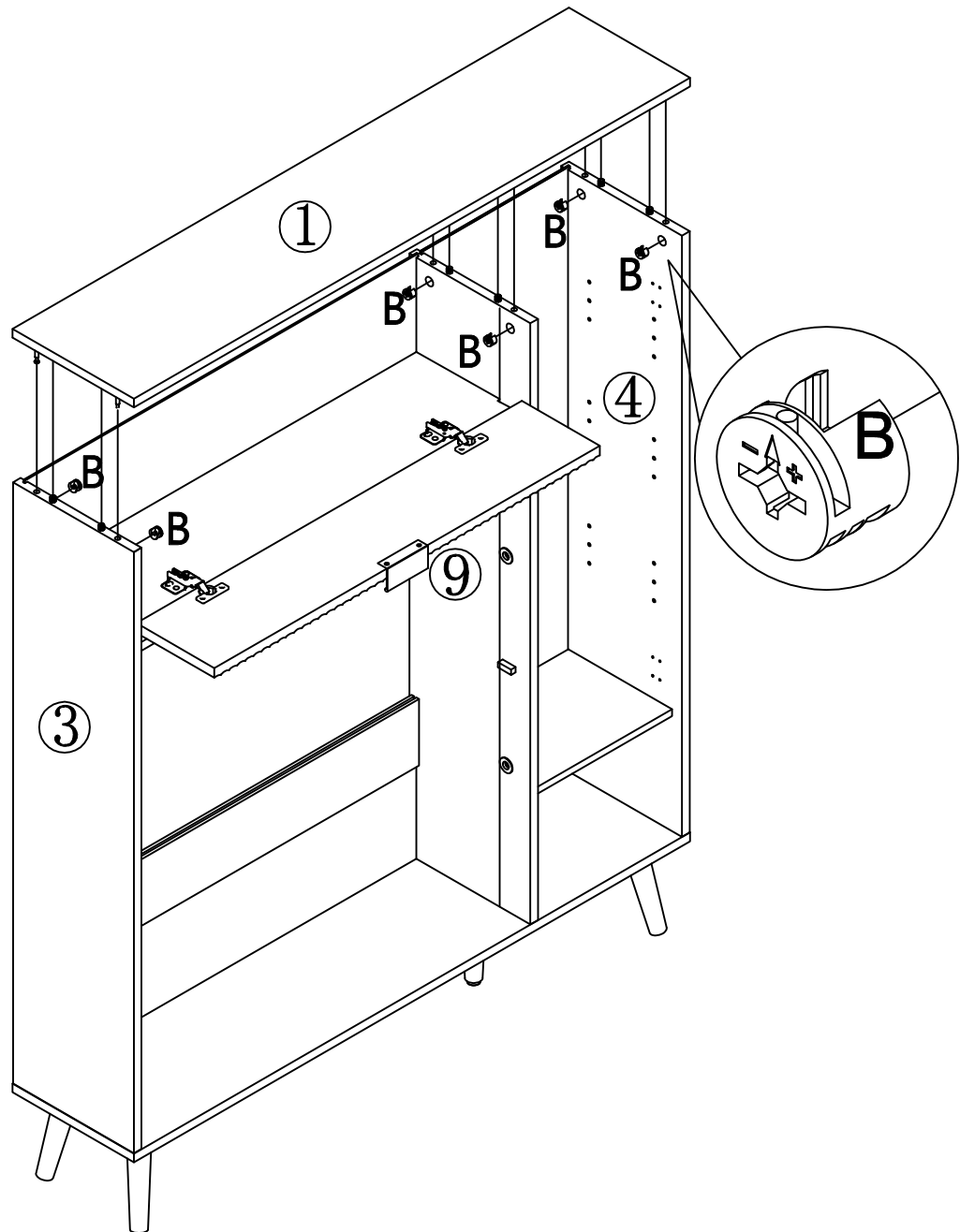
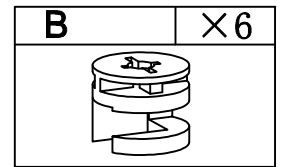


# Step 13

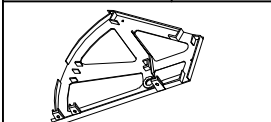
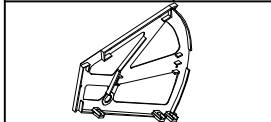
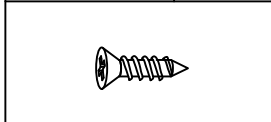
E	×8
	

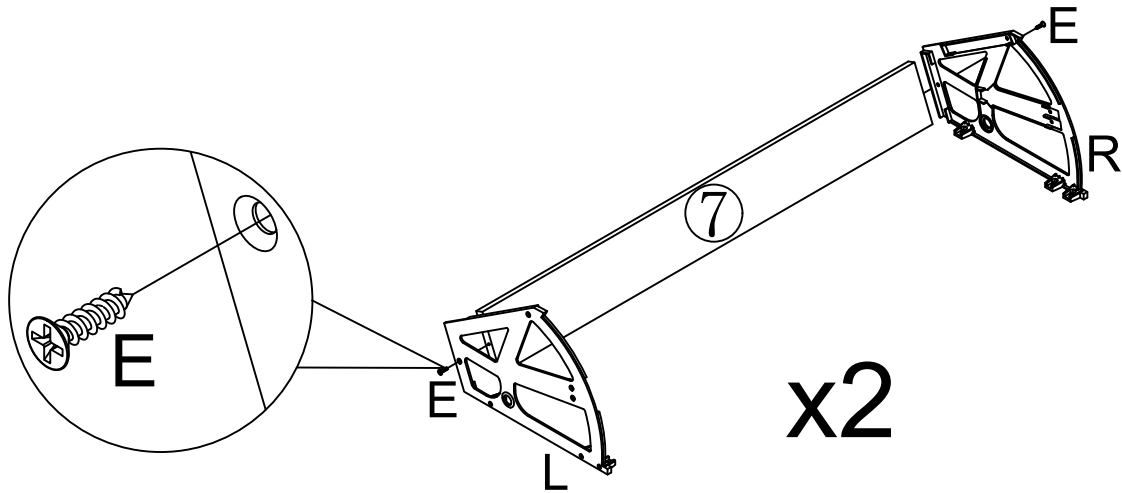


# Step 14

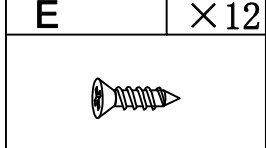


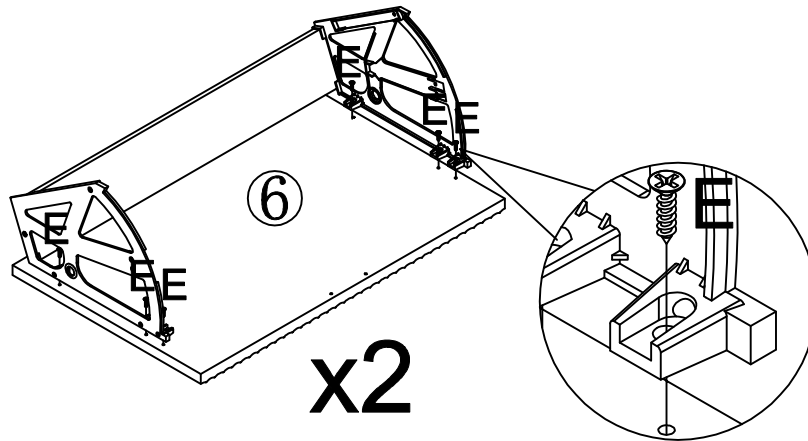
# Step 15

L	×2	R	×2	E	×4
					

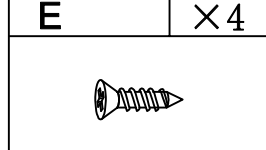


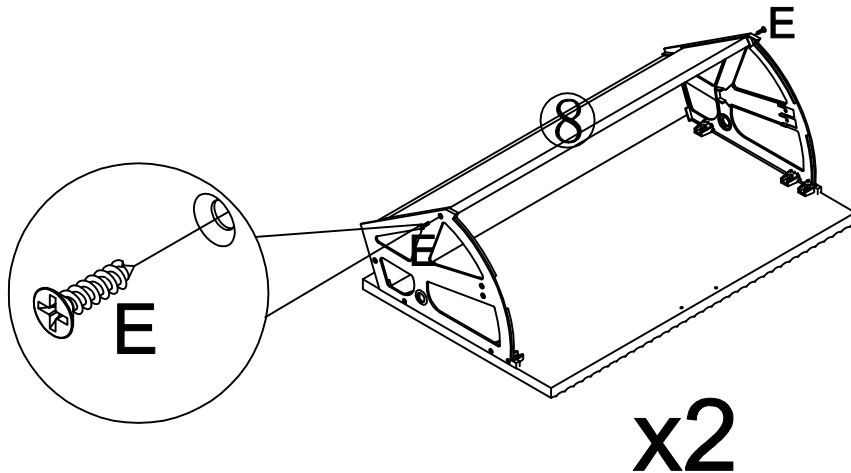
# Step 16

E	×12
	

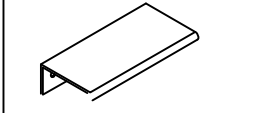



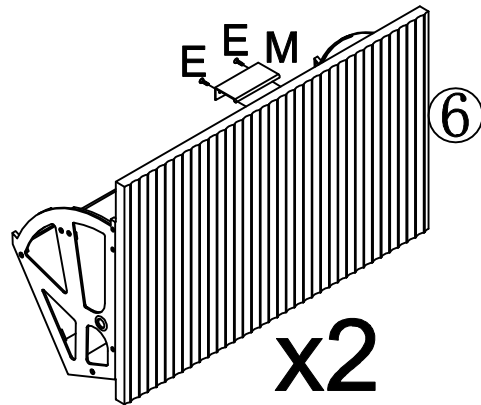
# Step 17

E	×4
	

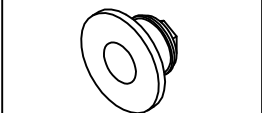



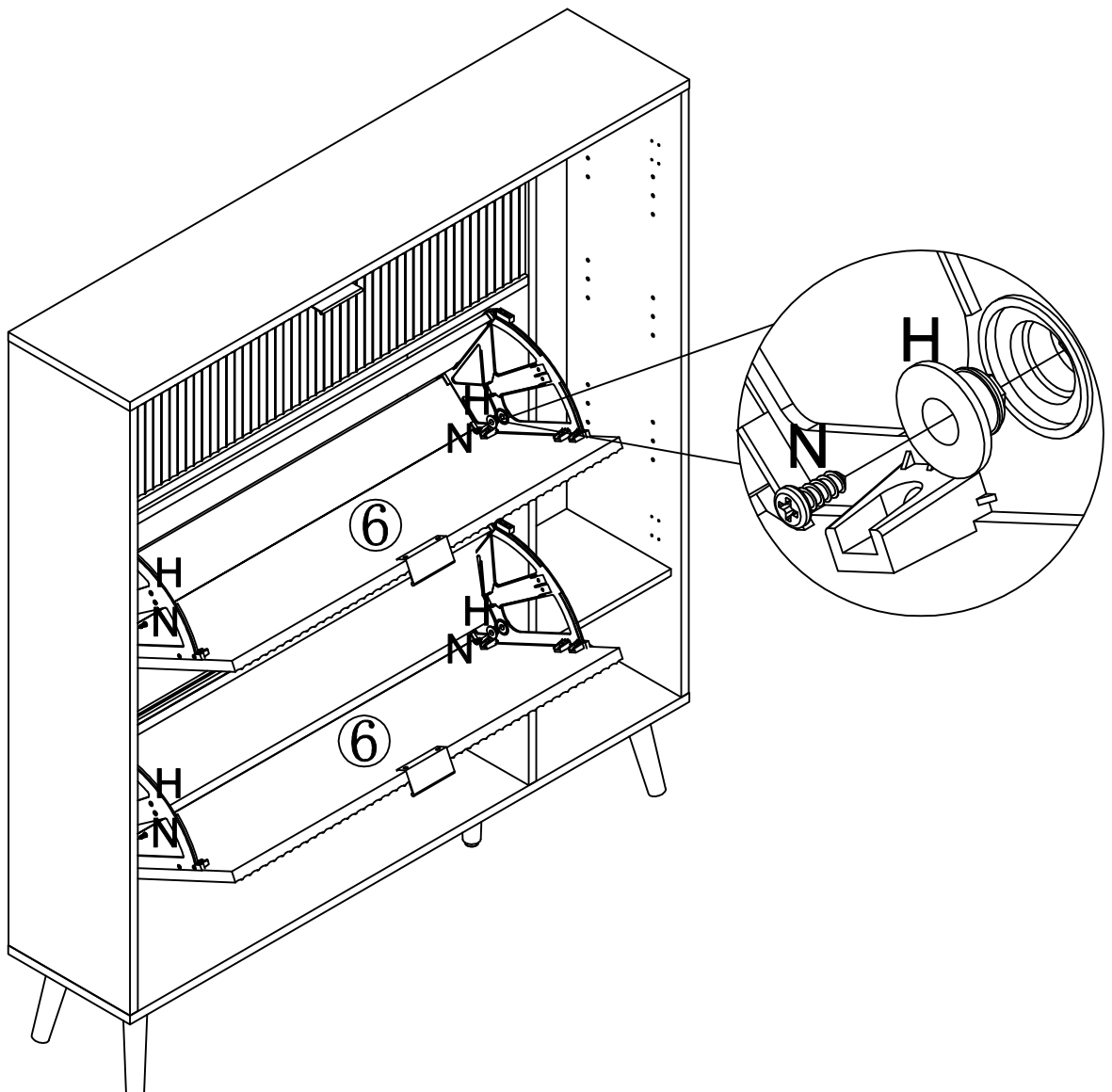
# Step 18

M	×2	E	×4
			




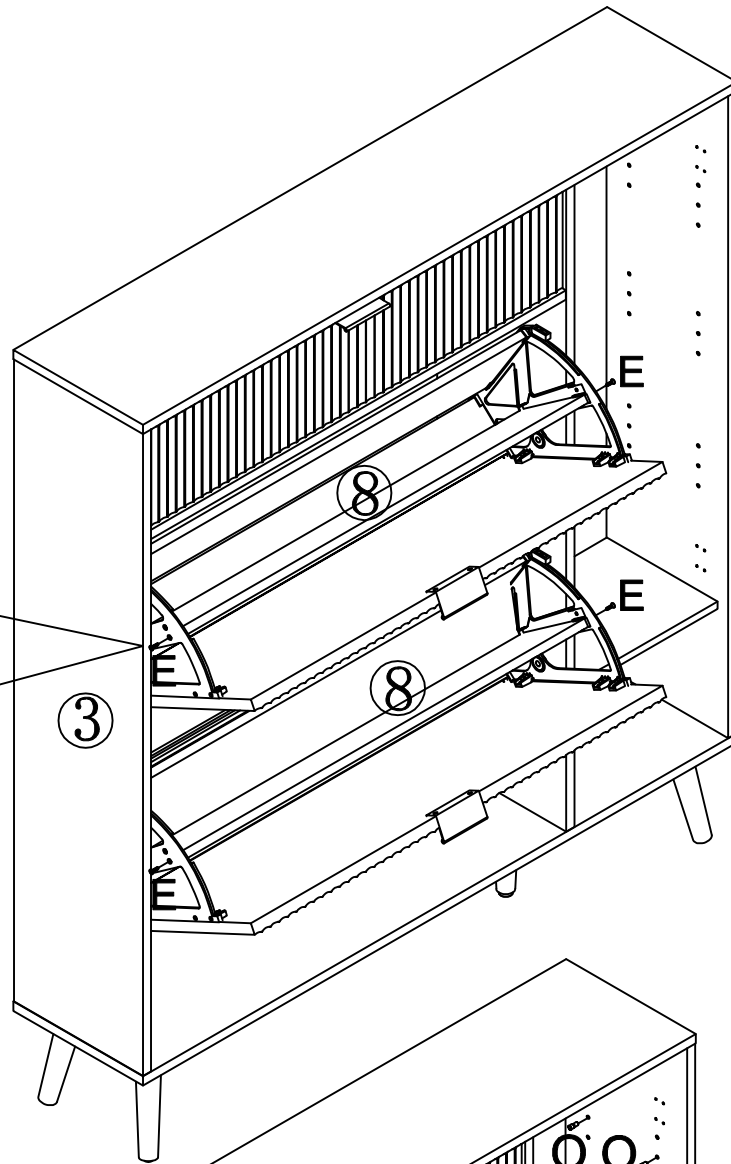
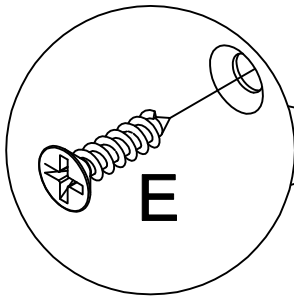
# Step 19

H	×4	N	×4
			




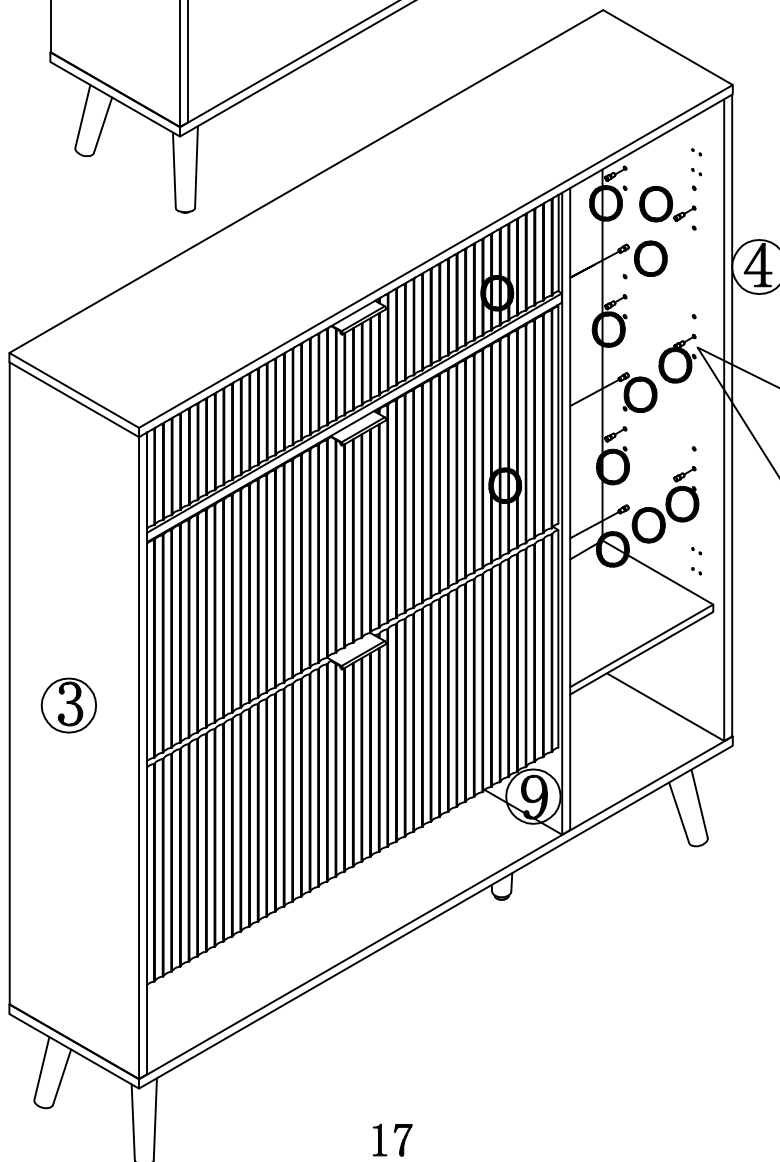
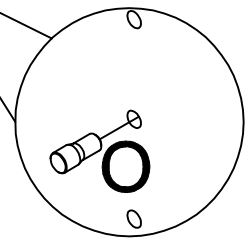
# Step 20

E	×4
	

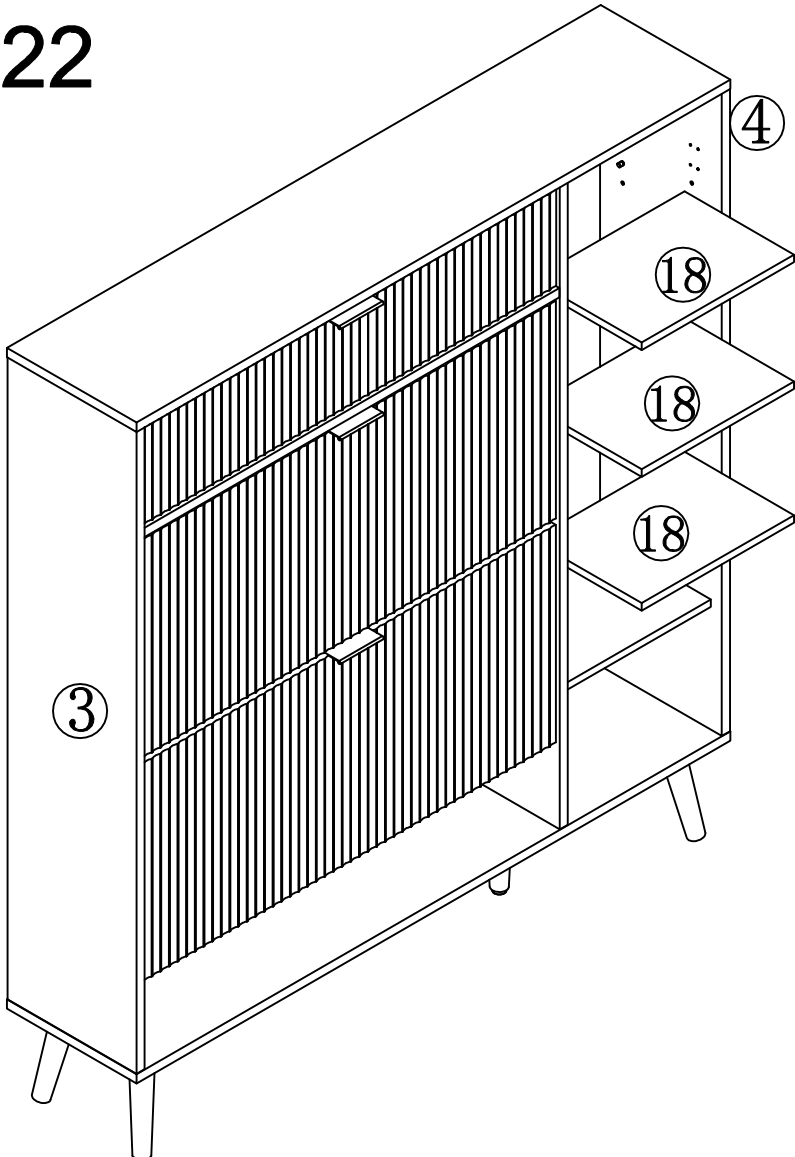


# Step 21

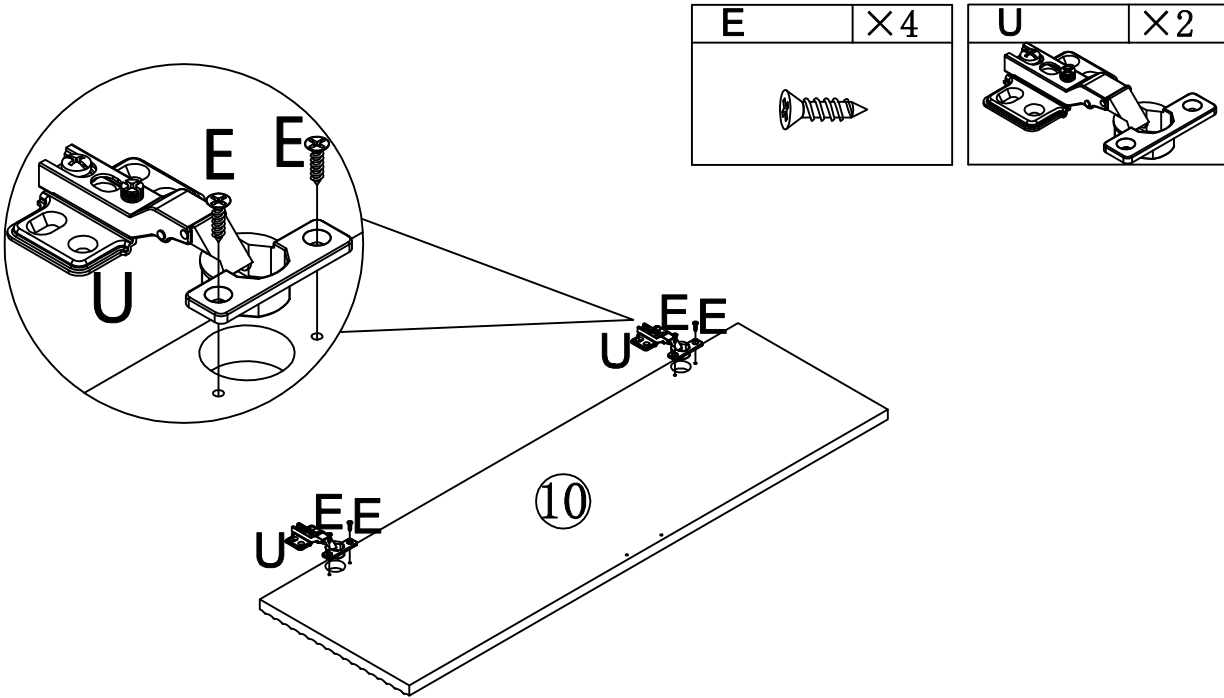
O	×12
	



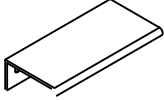
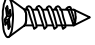
# Step 22

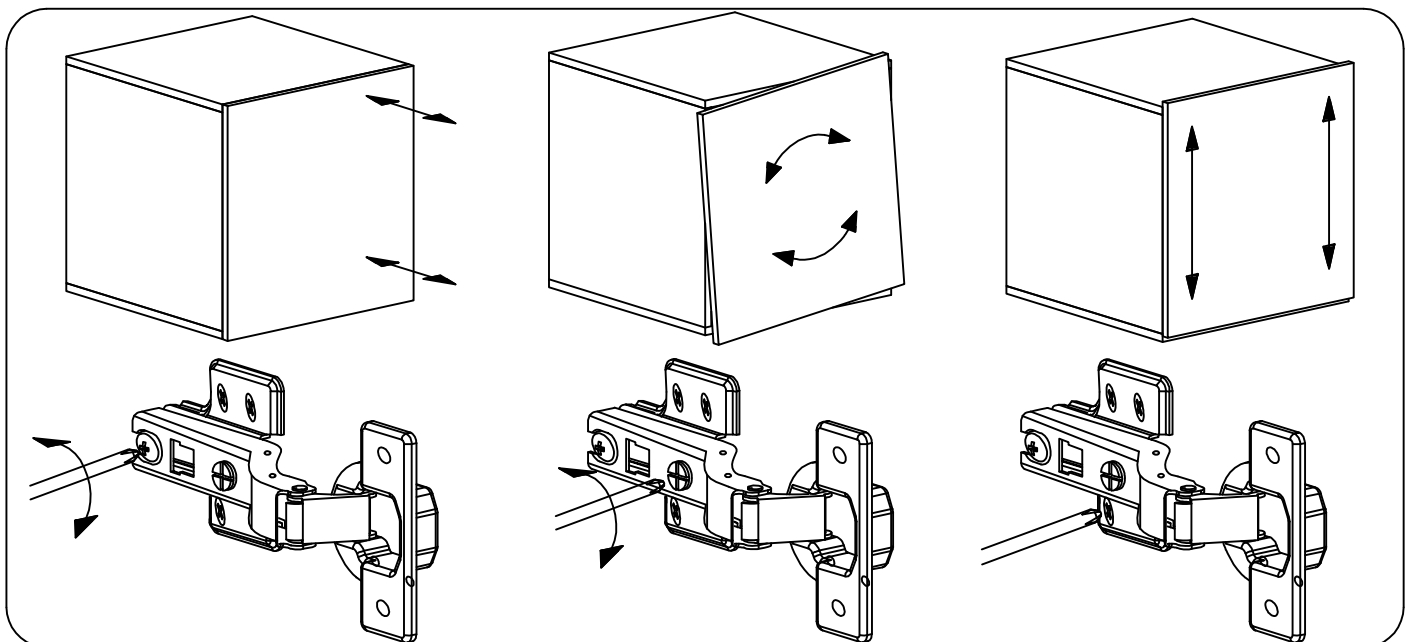
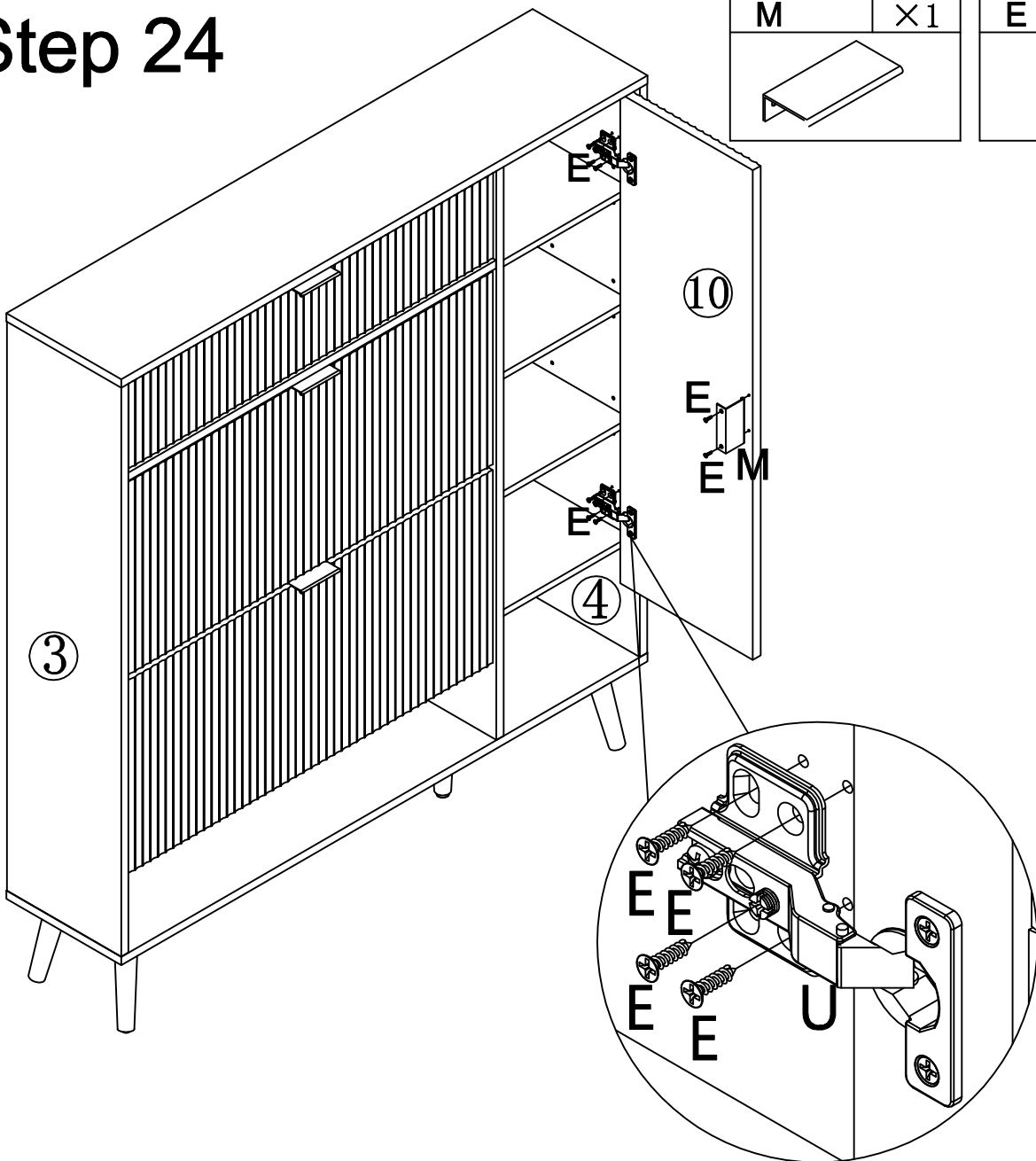


# Step 23


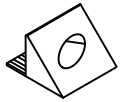


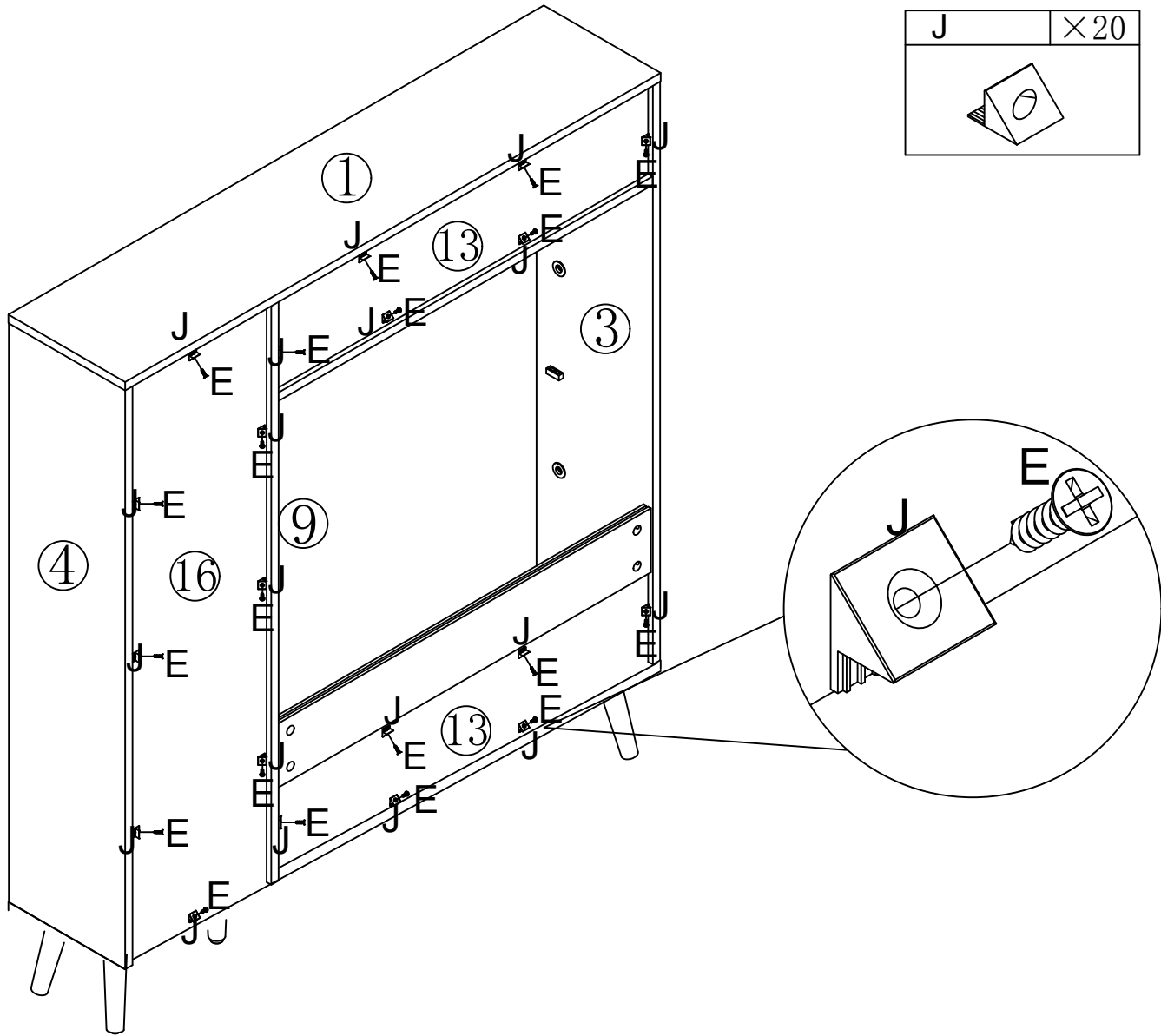
# Step 24

M	×1	E	×10
			

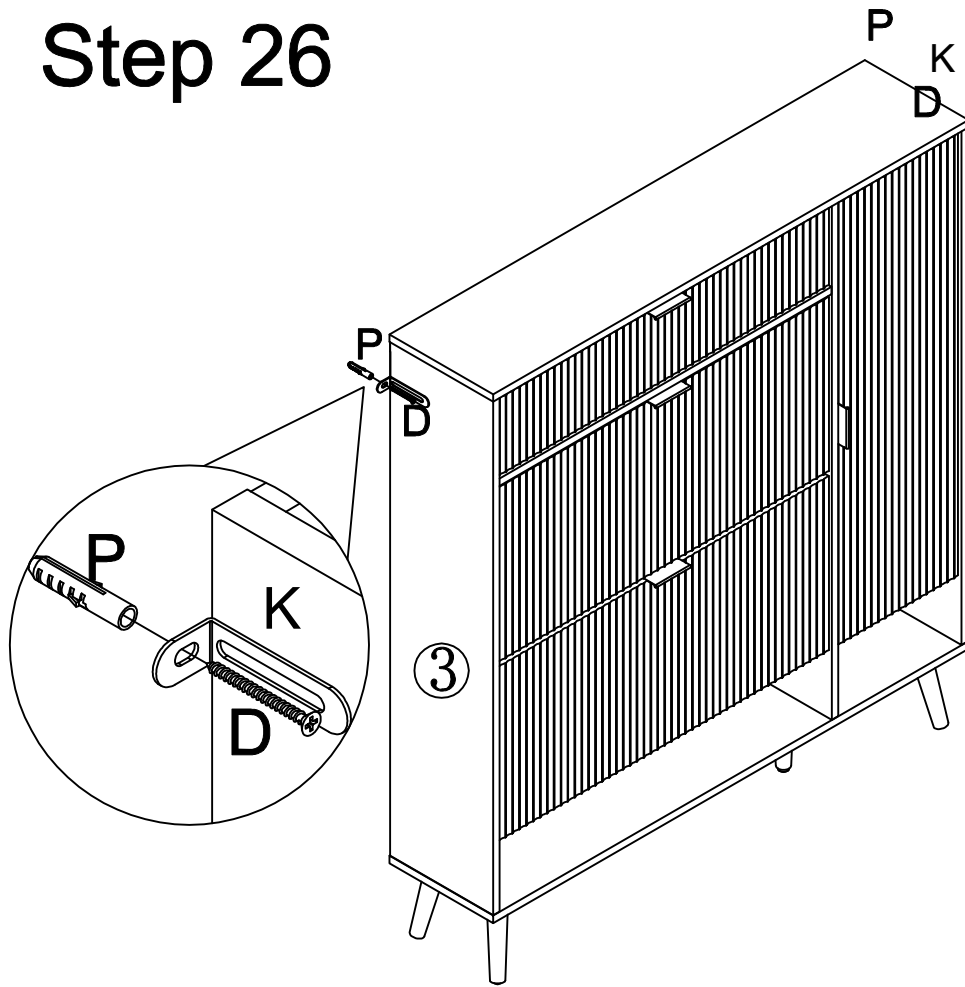


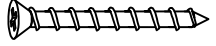
# Step 25


E	×20
	
J	×20
	

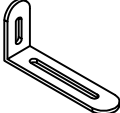


# Step 26

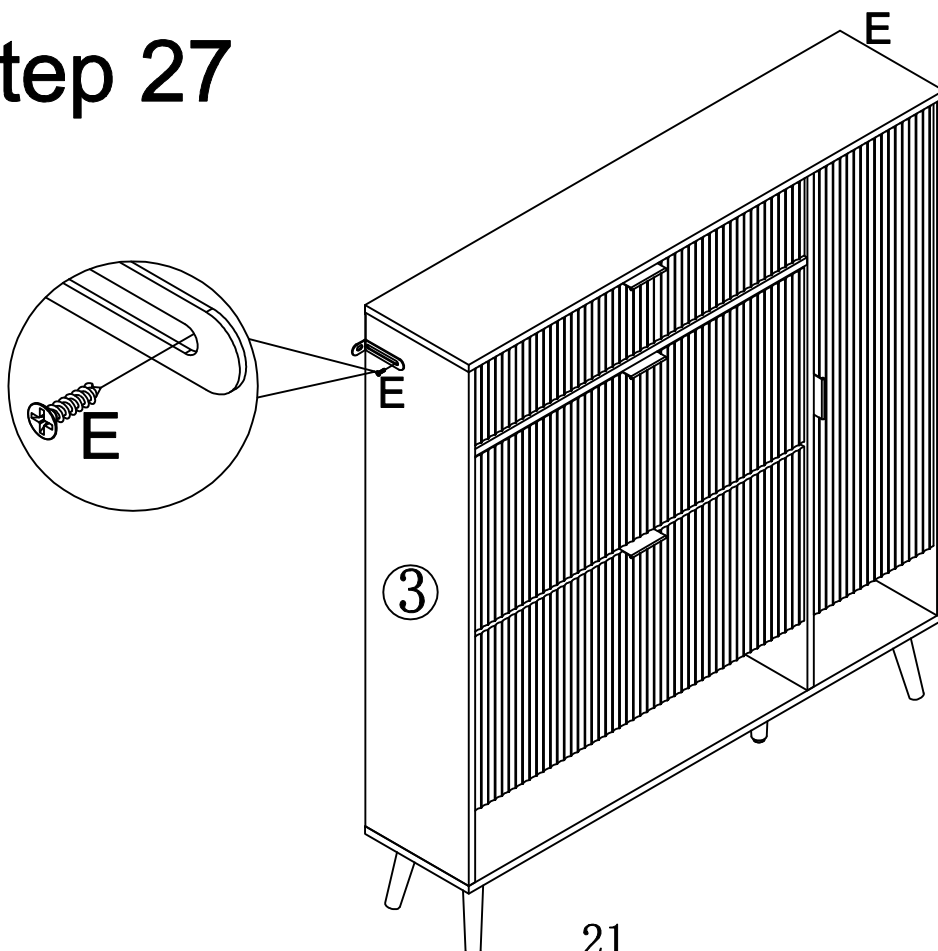



D	X2
	

P	X2
	

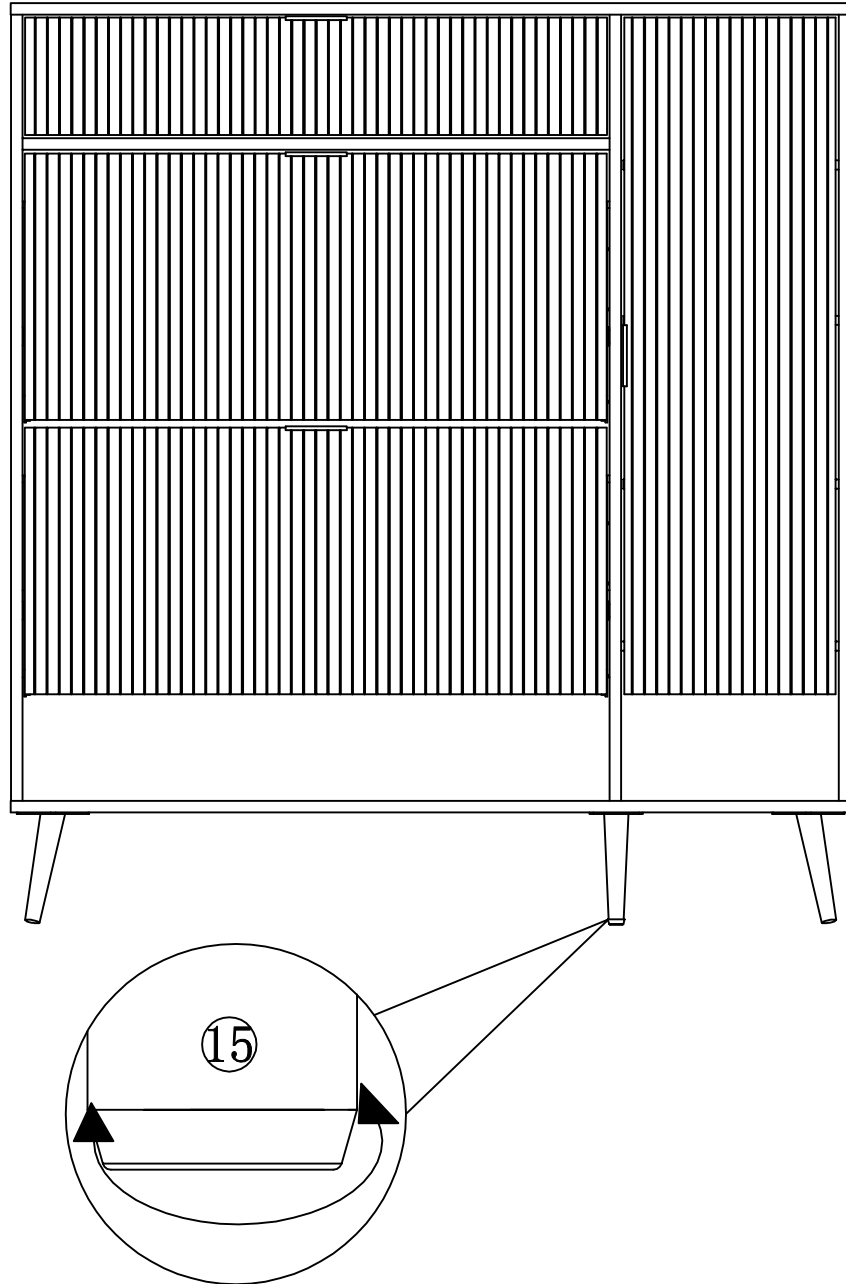
K	X2
	

# Step 27



E	X2
	

# Step 28



If the center position of the cabinet is too high or too low due to uneven bottom plates or other reasons, adjust the adjustable foot pads on feet ⑮ to adjust the upper and lower height