

Majestic - Single Handle Kitchen Faucet With Side Spray



- * 3 Hole Installation
- * 9" High and 9" Long 360° Swing Brass Spout, Zinc Handle
- * Copper Waterway Construction with 1/2" -14 NPSM Connection
- * Matching Finish Side Spray with 49" Quick Connect Hose
- * Premium Grade Ceramic Cartridge (Type H)
- * Flow Rate: 1.8GPM @ 60PSI
- * 100% Pressure System Tested
- * Lifetime Limited Warranty; 5 year warranty from date of purchase for Commercial users.

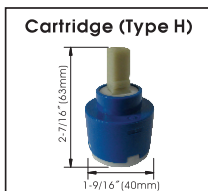
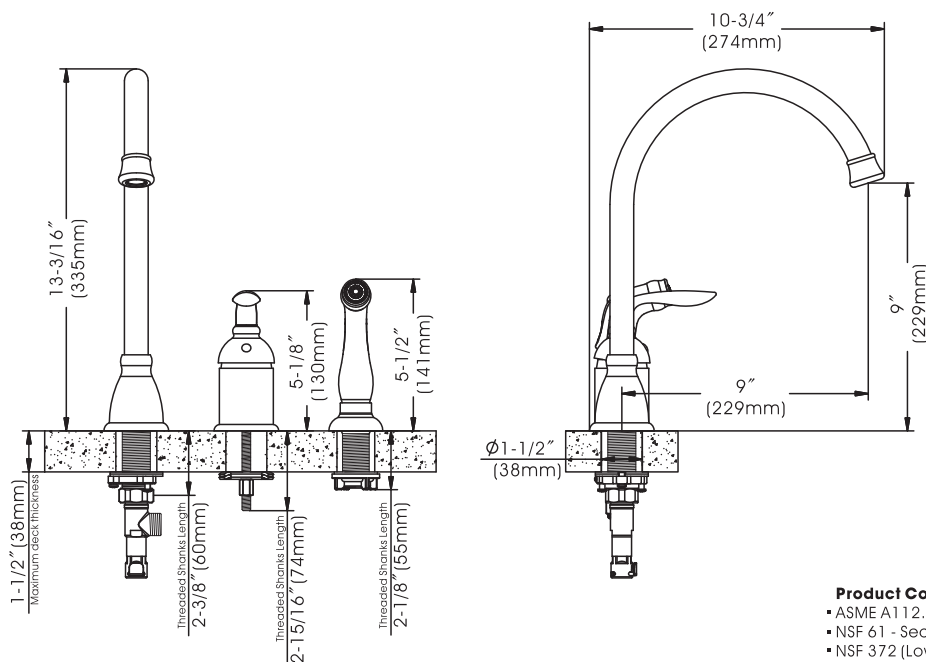
Project / Job Name	
Architect / Engineer	
Contractor	
Model	
Quantity	

Model No. :

191-6614 (CH)
(Shown Model)

191-6615 (BN *Spotless PVD*)

191-6616 (ORB)



- Product Compliance:**
- ASME A112.18.1 / CSA B125.1
 - NSF 61 - Section 9
 - NSF 372 (Low Lead Content)
 - ANSI A117.1 (ADA)

Majestic - Single Handle Kitchen Faucet With Side Spray



- * 3 Hole Installation
- * 9" High and 9" Long 360° Swing Brass Spout, Zinc Handle
- * Copper Waterway Construction with 1/2" -14 NPSM Connection
- * Matching Finish Side Spray with 49" Quick Connect Hose
- * Premium Grade Ceramic Cartridge (Type H)
- * Flow Rate: 1.8GPM @ 60PSI
- * 100% Pressure System Tested
- * Lifetime Limited Warranty; 5 year warranty from date of purchase for Commercial users.

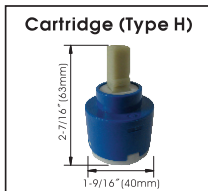
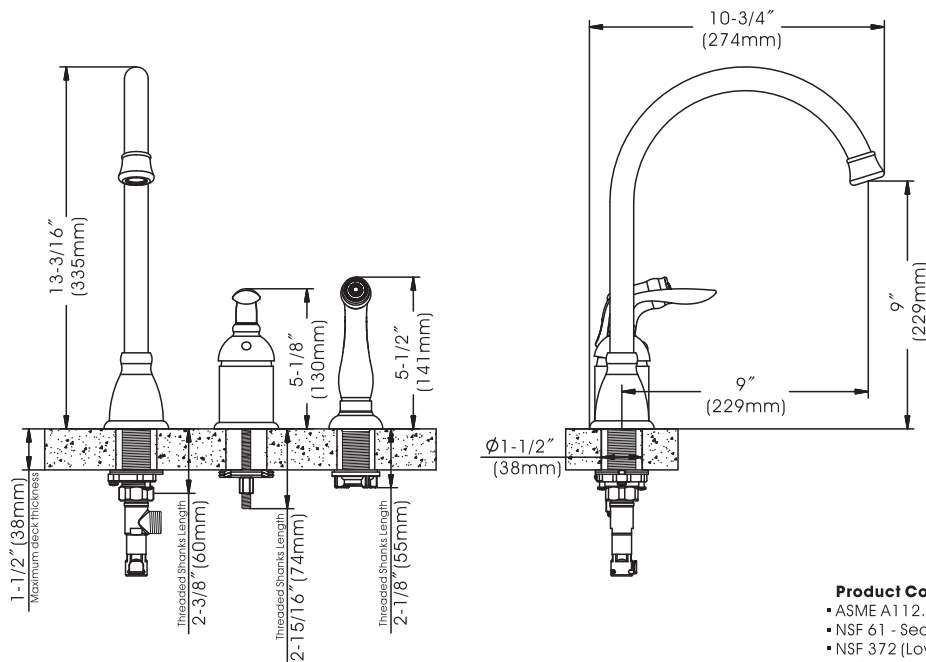
Project / Job Name	
Architect / Engineer	
Contractor	
Model	
Quantity	

Model No. :

191-6614 (CH)

191-6615 (BN *Spotless PVD*)
(Shown Model)

191-6616 (ORB)



- Product Compliance:**
- ASME A112.18.1 / CSA B125.1
 - NSF 61 - Section 9
 - NSF 372 (Low Lead Content)
 - ANSI A117.1 (ADA)

Majestic - Single Handle Kitchen Faucet With Side Spray



- * 3 Hole Installation
- * 9" High and 9" Long 360° Swing Brass Spout, Zinc Handle
- * Copper Waterway Construction with 1/2" -14 NPSM Connection
- * Matching Finish Side Spray with 49" Quick Connect Hose
- * Premium Grade Ceramic Cartridge (Type H)
- * Flow Rate: 1.8GPM @ 60PSI
- * 100% Pressure System Tested
- * Lifetime Limited Warranty; 5 year warranty from date of purchase for Commercial users.

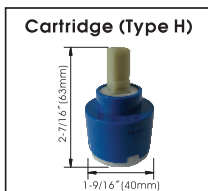
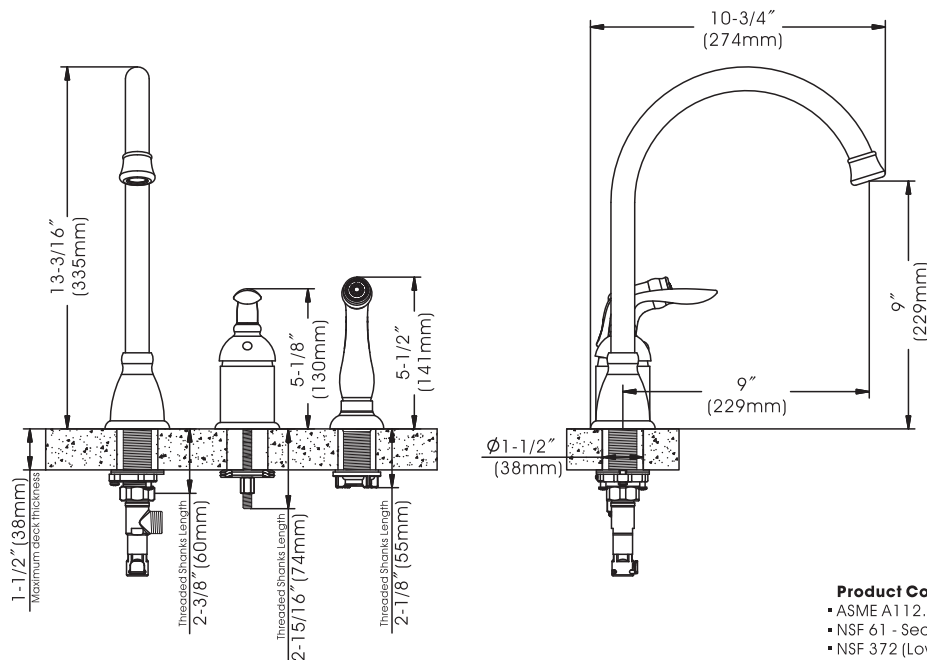
Project / Job Name	
Architect / Engineer	
Contractor	
Model	
Quantity	

Model No. :

191-6614 (CH)

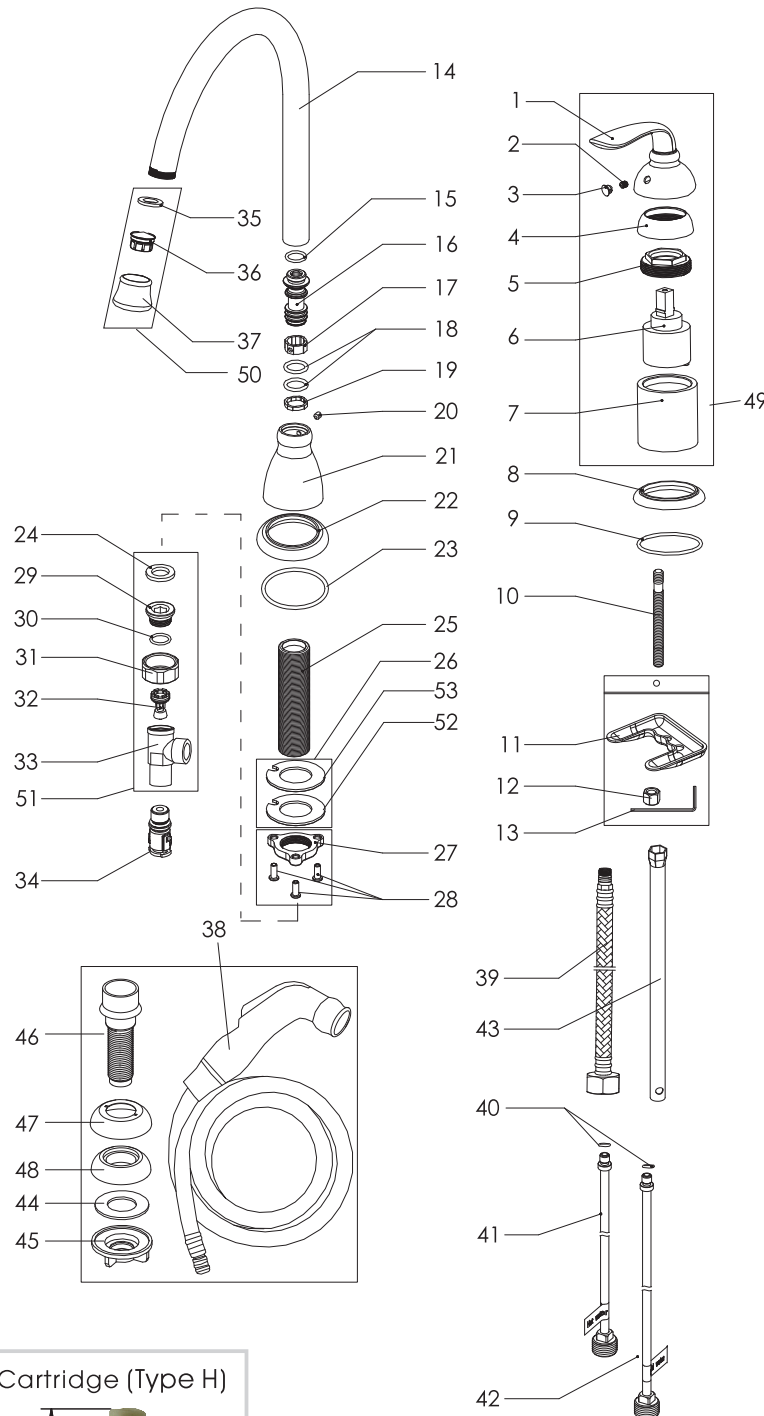
191-6615 (BN *Spotless PVD*)

191-6616 (ORB)
(Shown Model)



- Product Compliance:**
- ASME A112.18.1 / CSA B125.1
 - NSF 61 - Section 9
 - NSF 372 (Low Lead Content)
 - ANSI A117.1 (ADA)

Majestic - Single Handle Kitchen Faucet With Side Spray



Model No. :

191-6614 (Polished Chrome)

191-6615 (Brushed Nickel *Spotless PVD*)

191-6616 (Oil-Rubbed Bronze)

No.	Part Name	Material
1	Handle	Zinc
2	Set Screw	Stainless Steel
3	Index	Plastic
4	Trim Cap	Plastic
5	Lock Nut	Stainless Steel
6	Cartridge	Ceramic
7	Cartridge Sleeve	Brass
8	Handle Body	Brass
9	O-Ring	Rubber
10	Mounting Bolt	Stainless Steel
11	Metal Washer	Steel
12	Lock Nut	Stainless Steel
13	Allen Wrench	Stainless Steel
14	Spout	Brass
15	O-ring	Rubber
16	Spout Connector	Brass
17	Retainer	Plastic
18	O-ring	Rubber
19	Retainer	Plastic
20	Set Screw	Stainless Steel
21	Spout Base (Upper)	Zinc
22	Spout Base (Lower)	Zinc
23	O-Ring	Plastic
24	Washer	Plastic
25	Shank	Brass
26	Gasket Assembly	Stainless Steel+Rubber
27	Lock Nut	Zinc
28	Screws	Stainless Steel
29	Inlet Adapter	Brass
30	O-Ring	Rubber
31	Nut	Brass
32	Diverter	Plastic+Brass
33	Diverter Seat	Brass
34	Quick Connect Assembly	Plastic
35	Aerator Washer	Rubber
36	Aerator Core	Plastic
37	Aerator Collar	Brass
38	Side Spray	Plastic
39	Connect Hose	Stainless Steel
40	O-Ring	Rubber
41	Tube (Hot)	Copper
42	Tube (Cold)	Copper
43	Socket Wrench	Steel
44	Washer	Rubber
45	Plastic Lock Nut	Plastic
46	Connector	Plastic
47	Base	Plastic
48	Washer	Rubber
49	Handle Assembly	Zinc+Stainless Steel+Brass
50	Aerator Assembly	Rubber+Plastic+Brass
51	Diverter Assembly	Rubber+Plastic+Brass
52	Metal Washer	Stainless Steel
53	Rubber Washer	Rubber

Cartridge (Type H)



Technical Support: warranty@cmiproduct.com
Hour of Operation: Mon - Fri 8:30 a.m - 5:00 p.m. EST