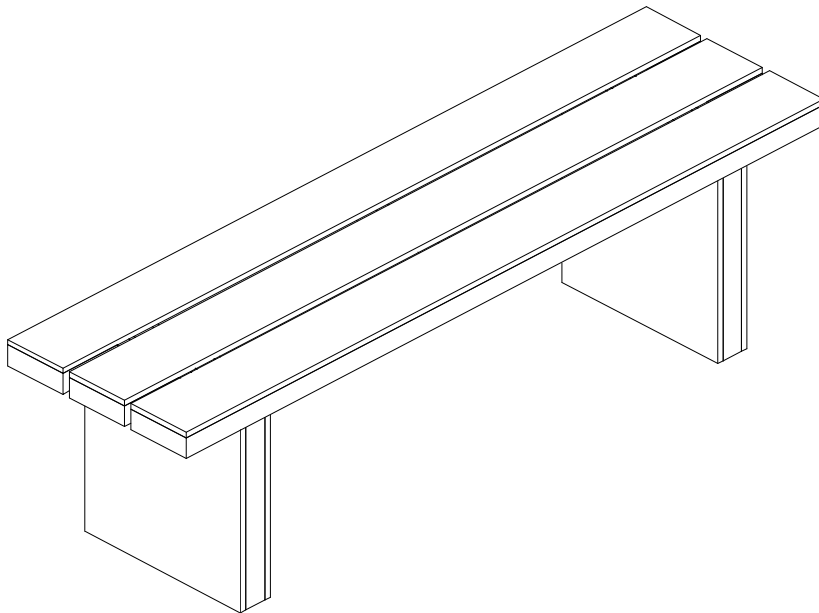


# Assembly Instructions

## BENCH

**Caution: You must read this before you proceed**

**Please look underneath the Bench Top for hardware packs.**

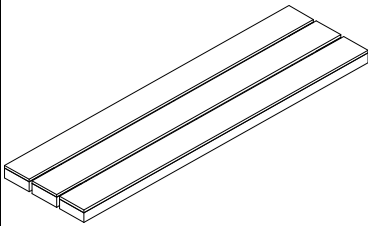
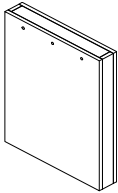


**Caution: This Bench is NOT a TOY**

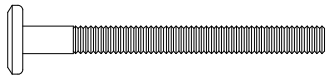
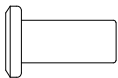

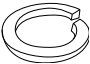
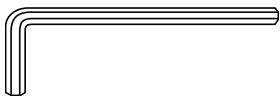
**Keep your child/children at bay during the assembly process.**

**Whenever moving/lifting the Bench and to prevent damage to the Bench, two adults are needed to execute these actions.**

# Part List

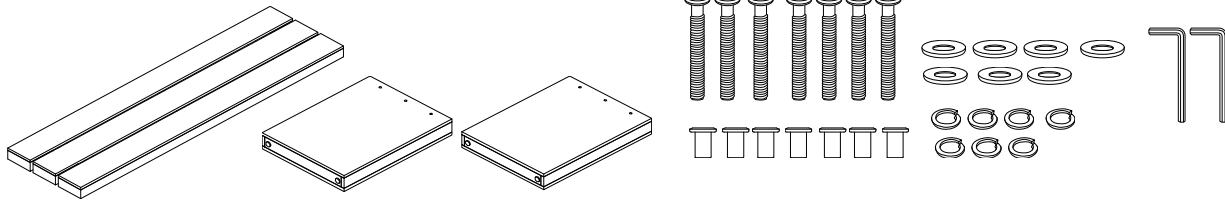
Label	Picture	Description	QTY
A		Bench Top	1
B		Leg	2

# Hardware

Label	Picture	Description	QTY
①		Bolt (M6x85mm)	7
②		Sleeve Nut (M6x18mm)	7
③		Flat Washer (M6.5/18x2)	7
④		Spring Washer (M6.5/10.5x1.5)	7
⑤		Allen Key	2

# Assembly Preparation

Before Beginning Assembly:



- Read instructions, cover to cover-



- Have 2 adults on hand for assembly-



- Do not assemble on flooring or carpet-



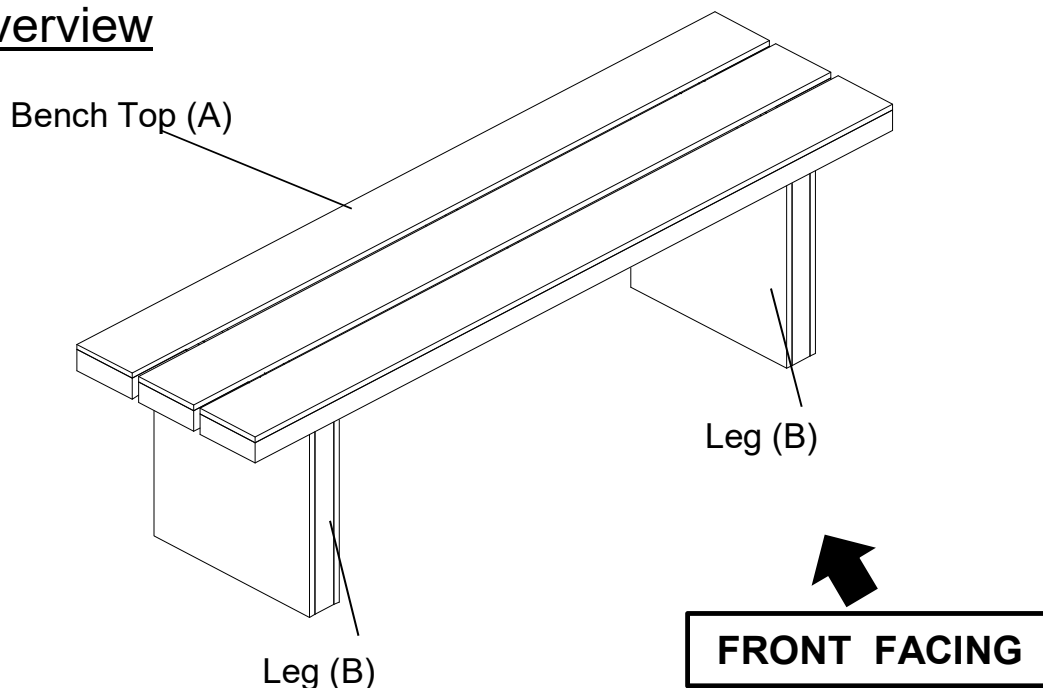
- Assemble on a clean non-marring surface (packing foam)-



- Save all packaging until finished-

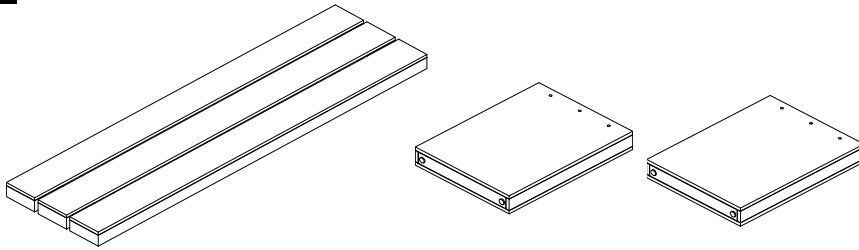
# Assembly Steps

## Overview



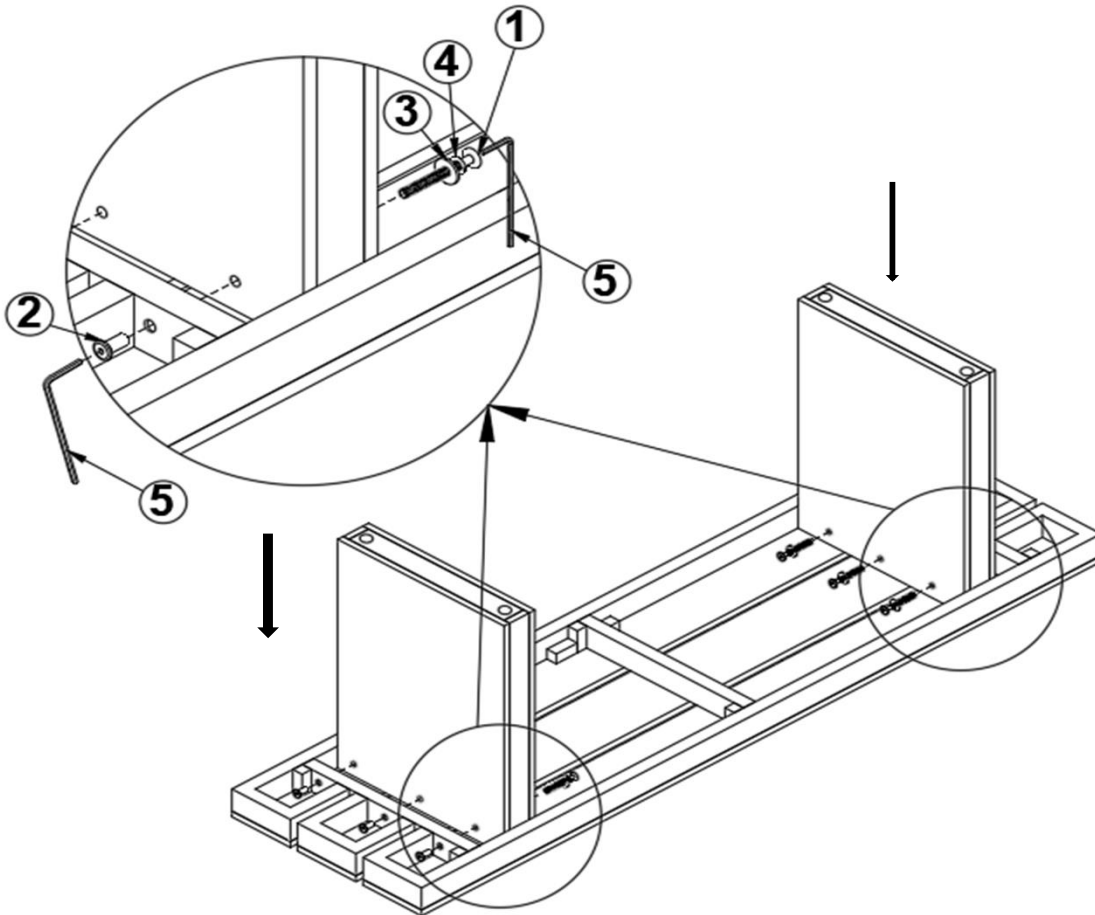
This Bench has multiple parts and may require up to 15 minutes to assemble. To give you an overview of the Bench parts, the above picture is to help you put the various parts into perspective. Please read through the instructions below to familiarise yourself with the parts and steps before assembly.

## Step 1



Unpack and place all parts on a clean, non-marring surface.

## Step 2

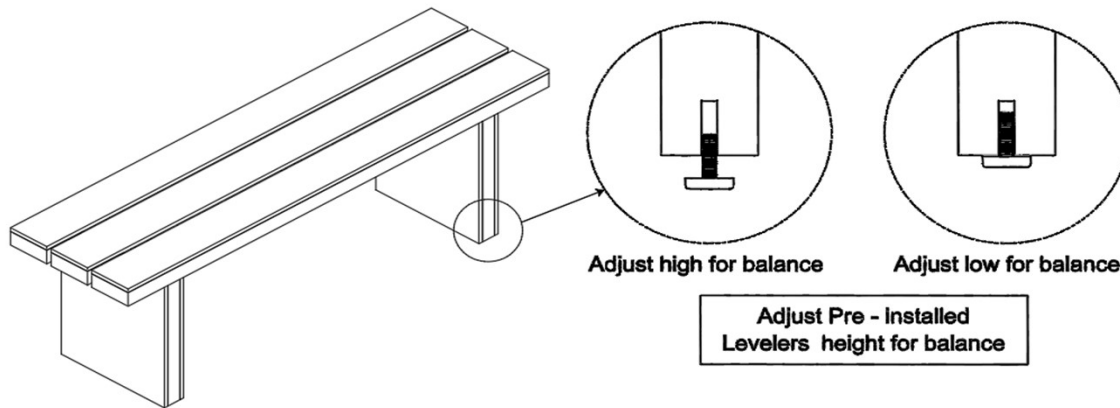


Flip the bench top (bottom-side up) and place on a non-marring surface. Attach the Leg (B) to the Bench Top (A) using Bolts (①), Spring Washers (④), Flat Washers (③), Sleeve Nuts (②) and the Alley Key (⑤) as shown above.

Repeat the same process with the remaining Leg (B)

**Do not fully tighten the Bolts.**



















## Step 3



Carefully turn the Bench upright and place the Bench onto a flat, level surface. Then EXERT pressure floorwards onto the Bench with both hands. This pressure will help the Bench reach full alignment at all joints. In a sequential manner, gradually tighten all Bolts at all joints until evenly secured. Inspect the Bench and make sure all parts are adequately connected. Adjust the Levelers until the Bench is level with the ground. To adjust the Levelers, get assistance from an adult partner to lift/lean and hold the Bench while you are working.

**Your Bench is ready for use.**  
**This Bench can only be used on a flat, level surface.**

## Care & Maintenance

-   ● Do not put hot items directly on furniture surface
  -   ● Do not clean furniture with harsh cleansers or polish.
  -   ● To obtain the longest lifespan of your outdoor products, minimizing exposure to direct sunlight is recommended.
  -   ● Children should not climb or jump on the furniture.
  -   ● Do not write on furniture without a padded barrier to protect the surface.
  -   ● To obtain the longest lifespan of your outdoor products, avoid extended and lengthy exposure to rain, snow, and direct sunshine. Whenever possible cover the product and /or place under patio or awnings.
  -   ● Not for commercial use. For residential use only .
  -   ● Stains may be removed with mild soap solution and damp cloth.
- 
-   ● Dust and pick-up spills using a clean, non-colored, lint-free cloth .