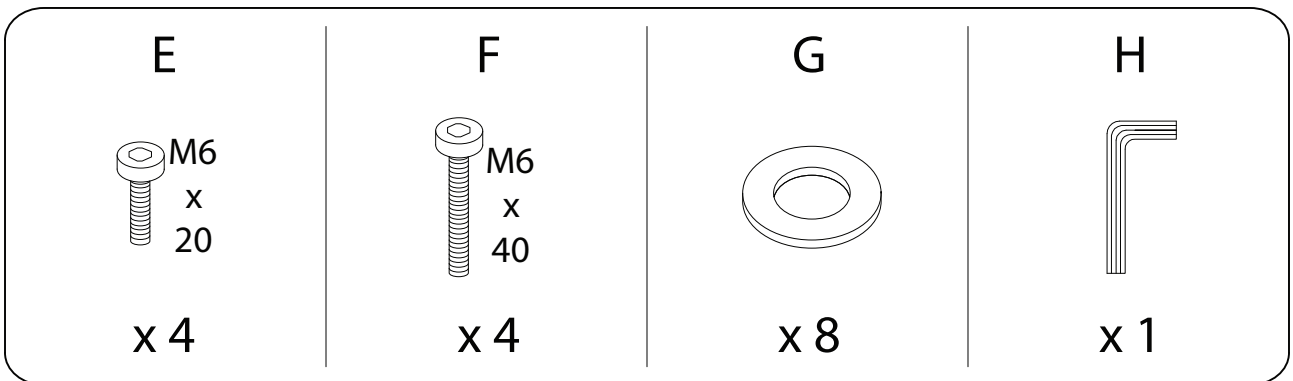
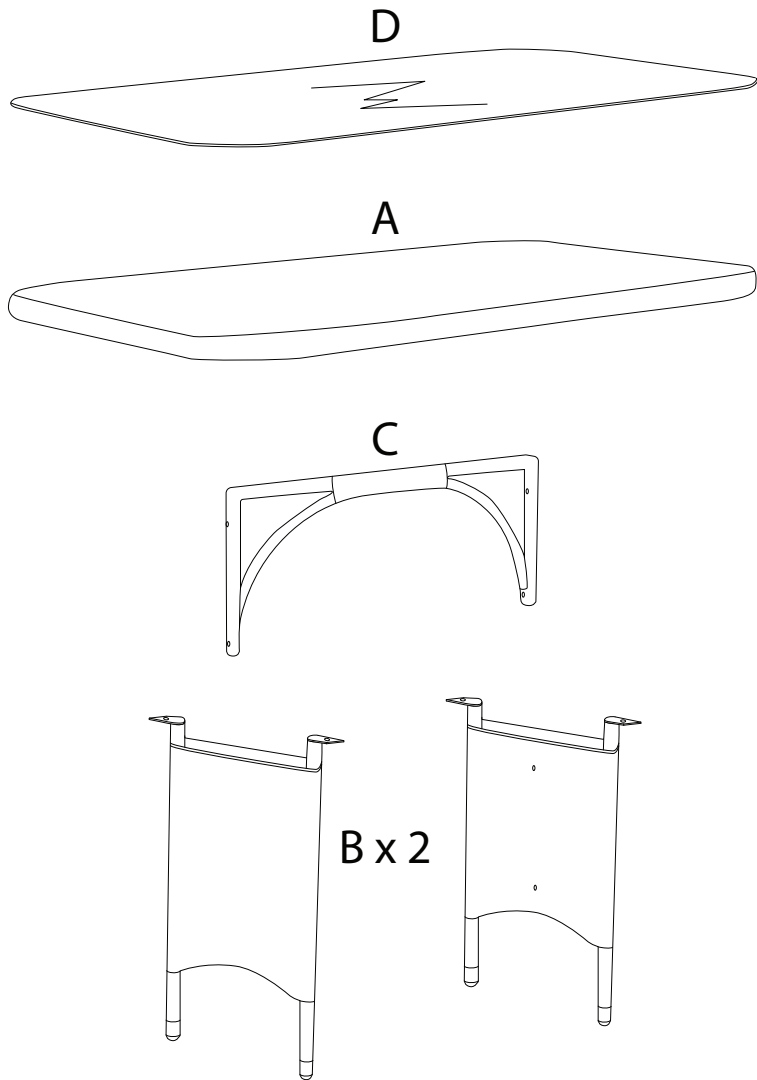
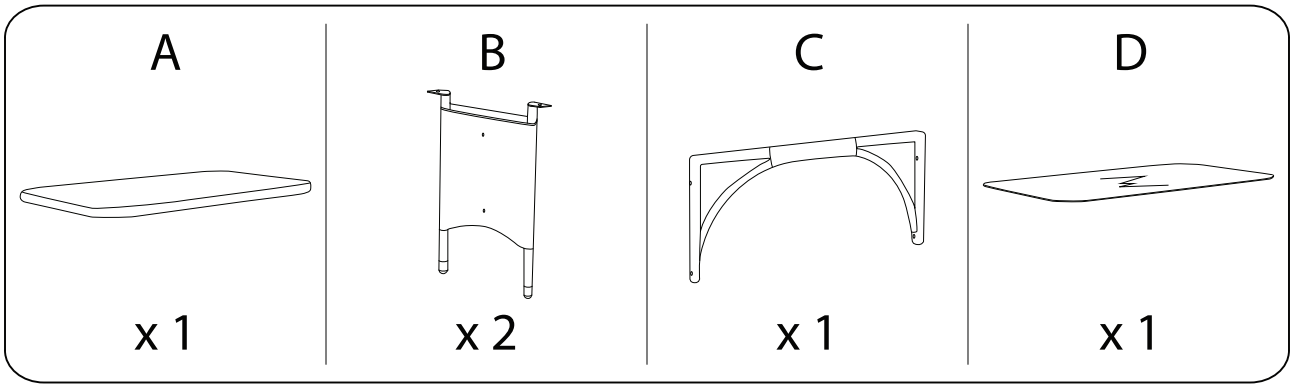
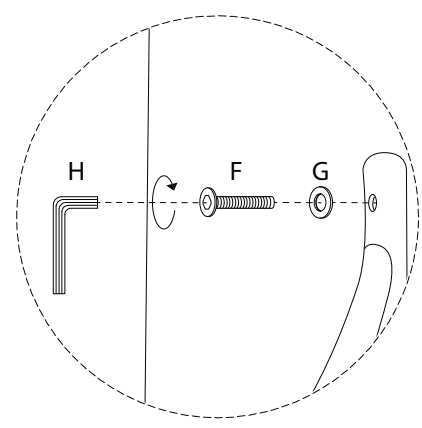
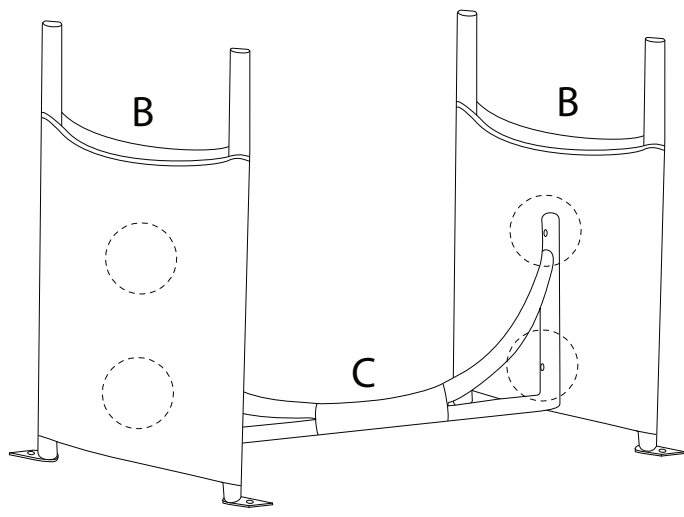
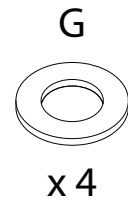
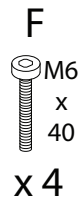
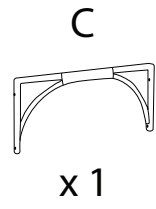
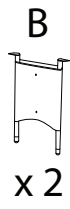


Diagram illustrating safety instructions for table assembly:

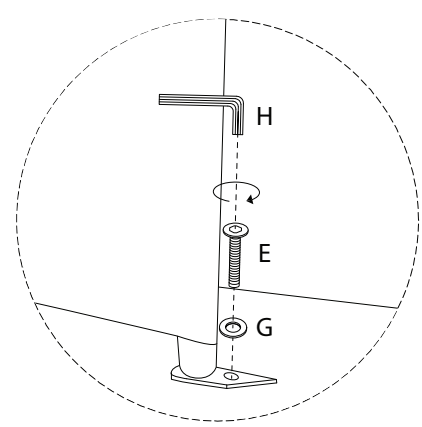
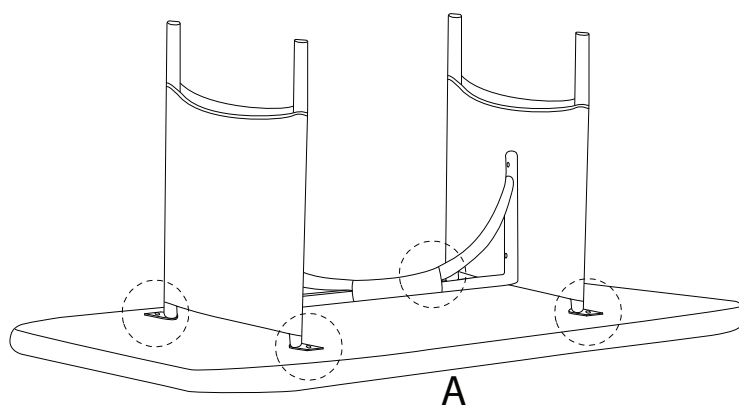
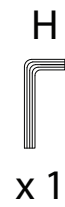
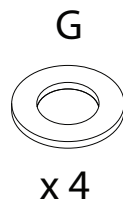
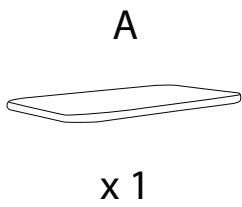
- Top Section:** Shows an L-shaped bracket and a power drill with a slash through it, indicating that a power drill should not be used. A warning triangle with an exclamation mark is positioned to the right. Below this is a clock icon and the text "15'", indicating a 15-minute assembly time.
- Bottom Section:** Shows a rectangular block being placed on a textured surface and a diagram of the block with a slash through it, indicating that the block should not be placed on a textured surface. A warning triangle with an exclamation mark is positioned to the right. Below this is a person icon and the number "1", indicating that one person is required for assembly.



1



2



3

